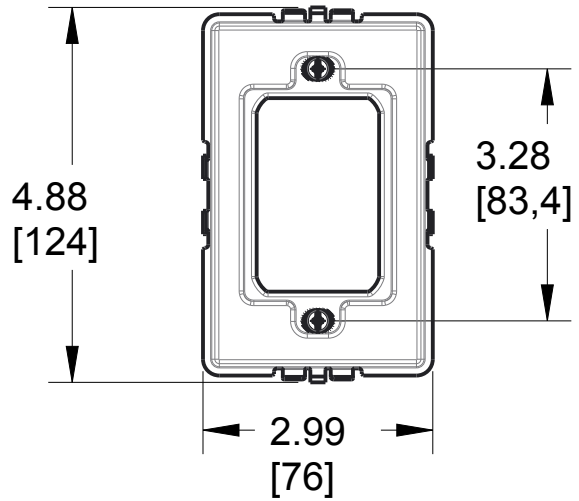
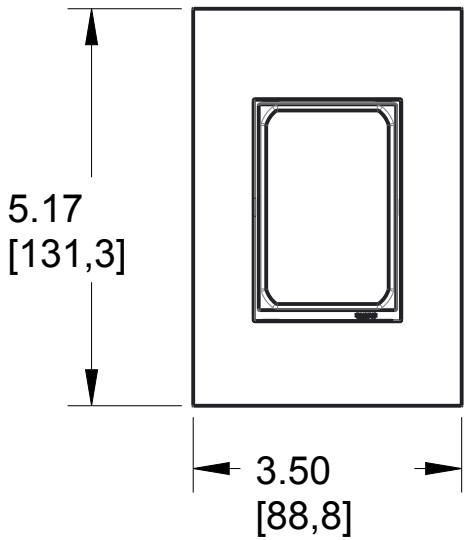
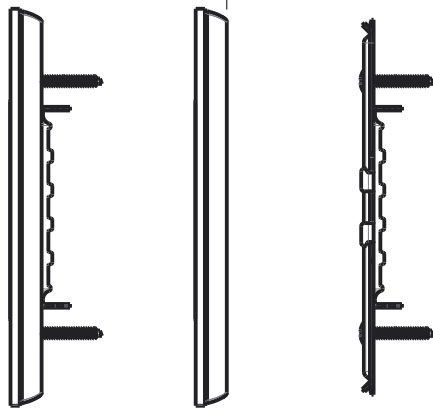
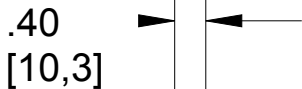
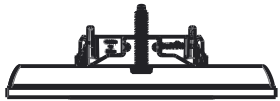
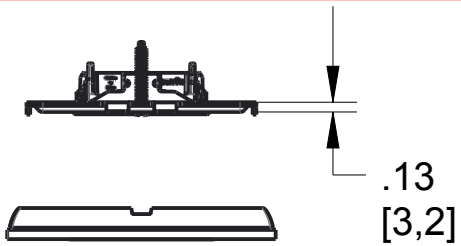


2

1

| REV | EC.NO. | DATE | DESCRIPTION | DFTR | CK. |
|-----|--------|------|-----------------|------|-----|
| A | | | INITIAL RELEASE | | |
| | | | | | |
| | | | | | |






B

B

A

A

3rd Party Compliance: cULus LISTED,
 cETLus LISTED
 Includes Wallplate And Subframe Shown
 For Use With adorne System Only
 All adorne System Subframes Are
 Grounded
 All adorne Wallplates Containing
 Metal Are Grounded

| AWM1G3, Wallplate Material 1-Gang 3-Module | | | | | |
|---|----------|---|---|--|---------|
| MATERIAL | SEE NOTE | UNSPECIFIED TOL. FRAC. ± 1/64 ANGLES ± 1.0 DEC. 0 ± 0.02 .00 ± 0.01 .000 ± 0.005 | |   | |
| FINISH | SEE NOTE | DSGN BY: RMR | 5/20/2015 | | |
| DR. BY: | | SHT 1 of 1 | PROJ. | DWG. NO.: CD1157 | REV.: A |
| CK. BY: | | SCALE: 0.400 |  | | |
| NOTICE: Proprietary and confidential information of Pass & Seymour/Legrand Reproduction or disclosure prohibited under penalty of law. | | | | | |

2

1