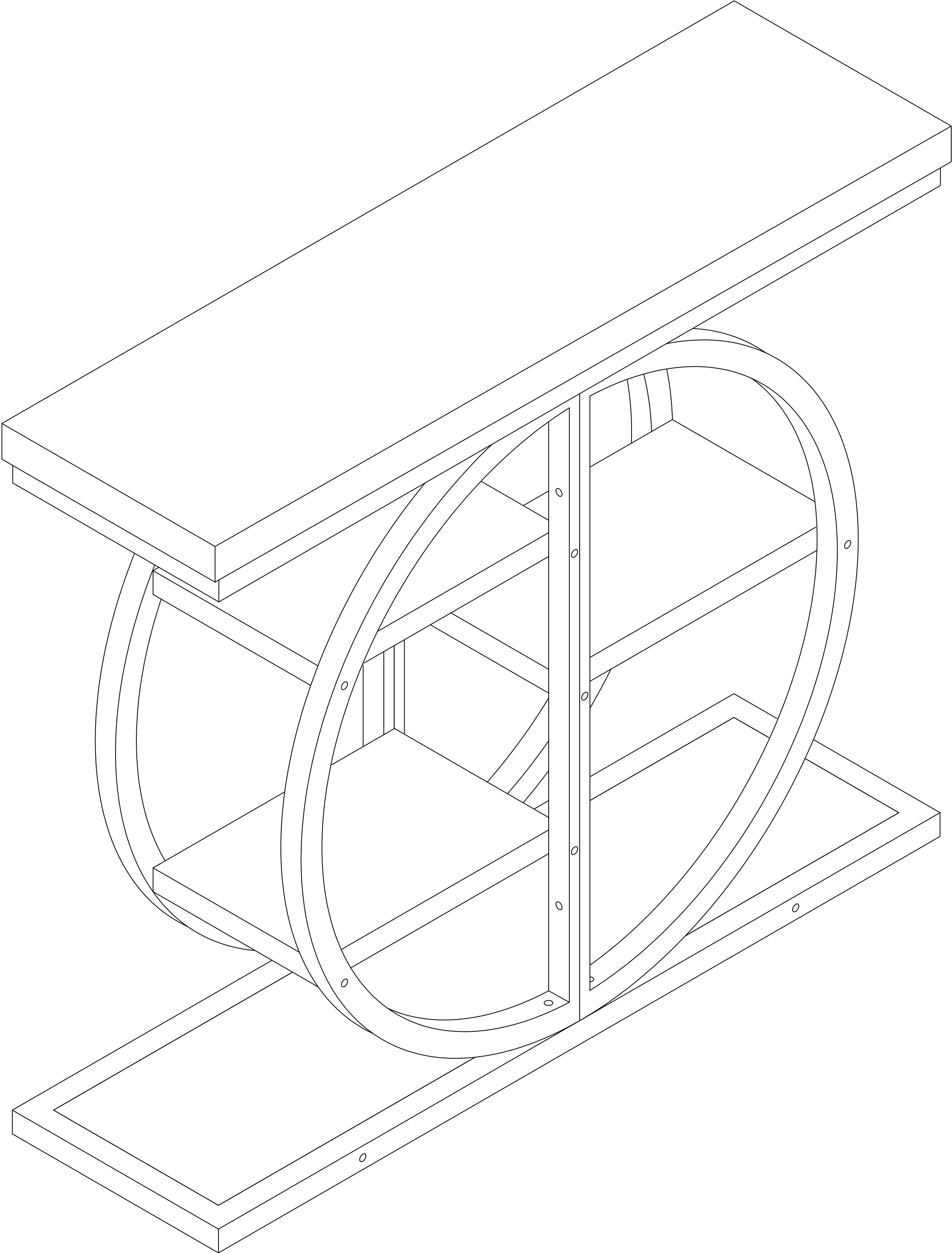
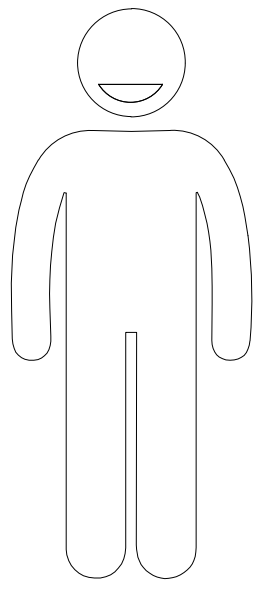
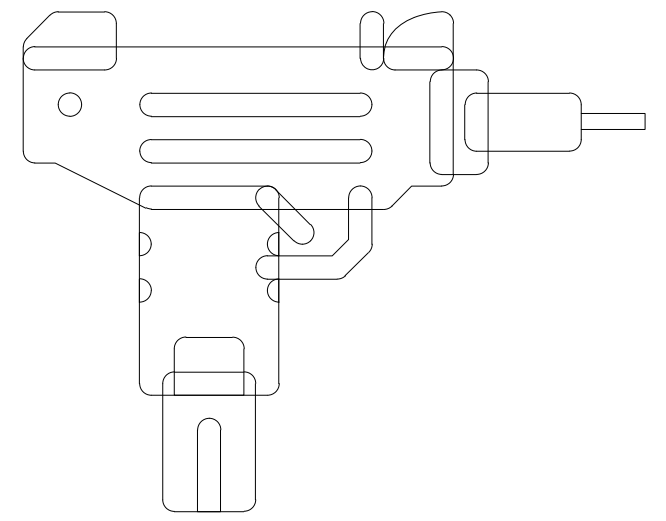
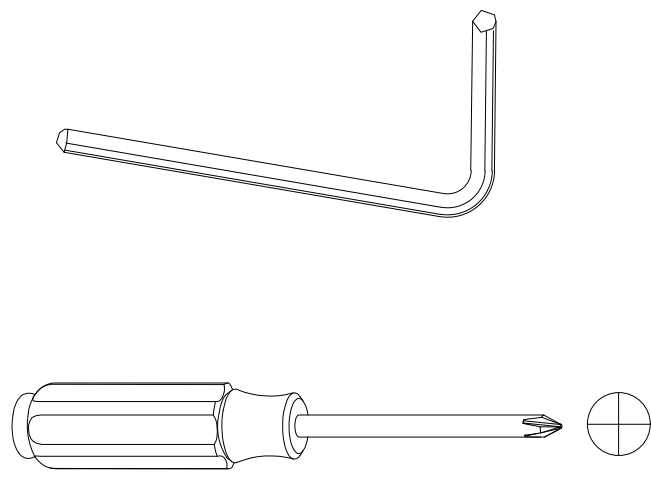

Assembly Instructions

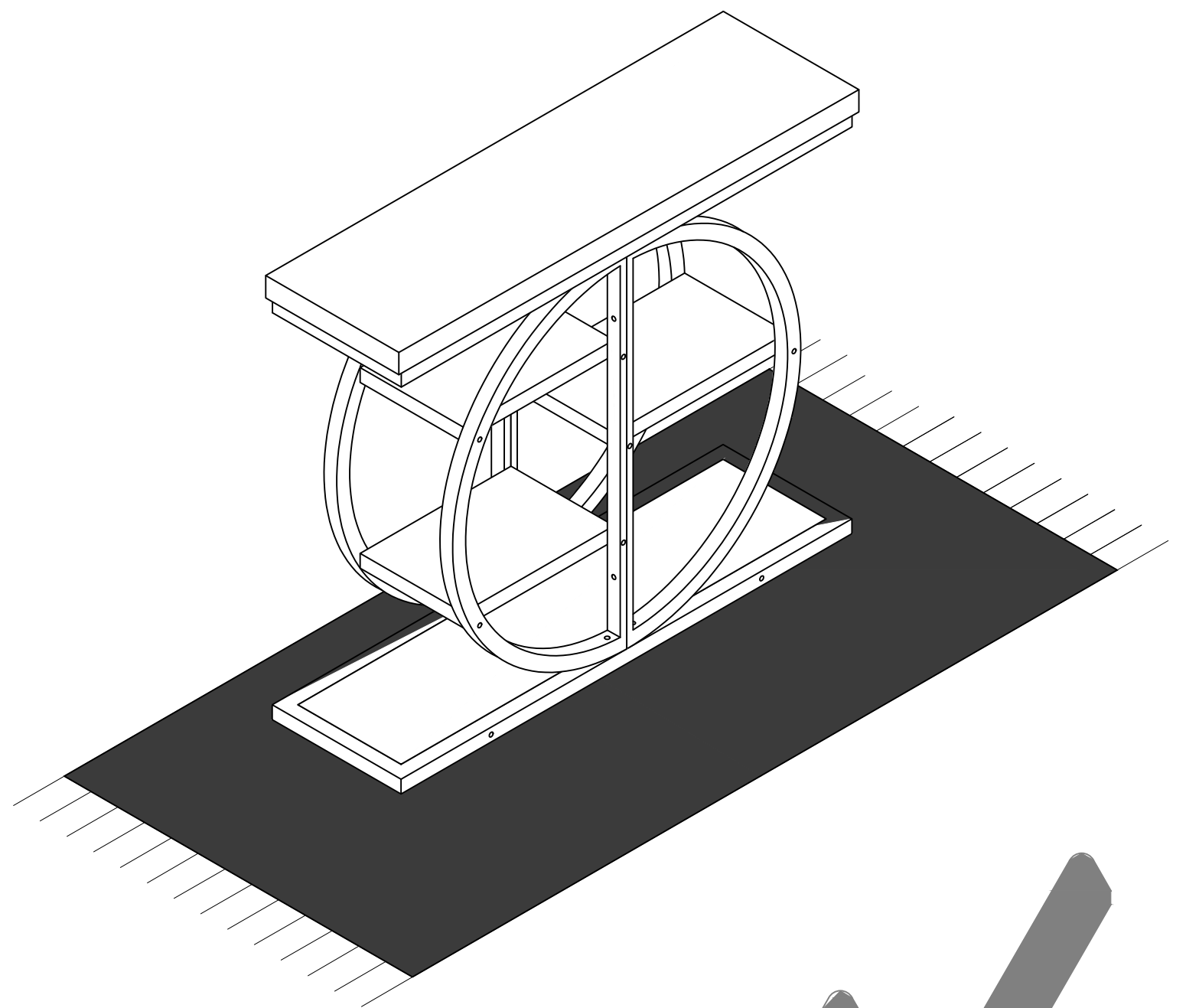
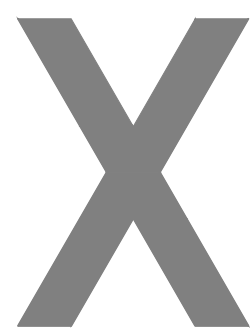
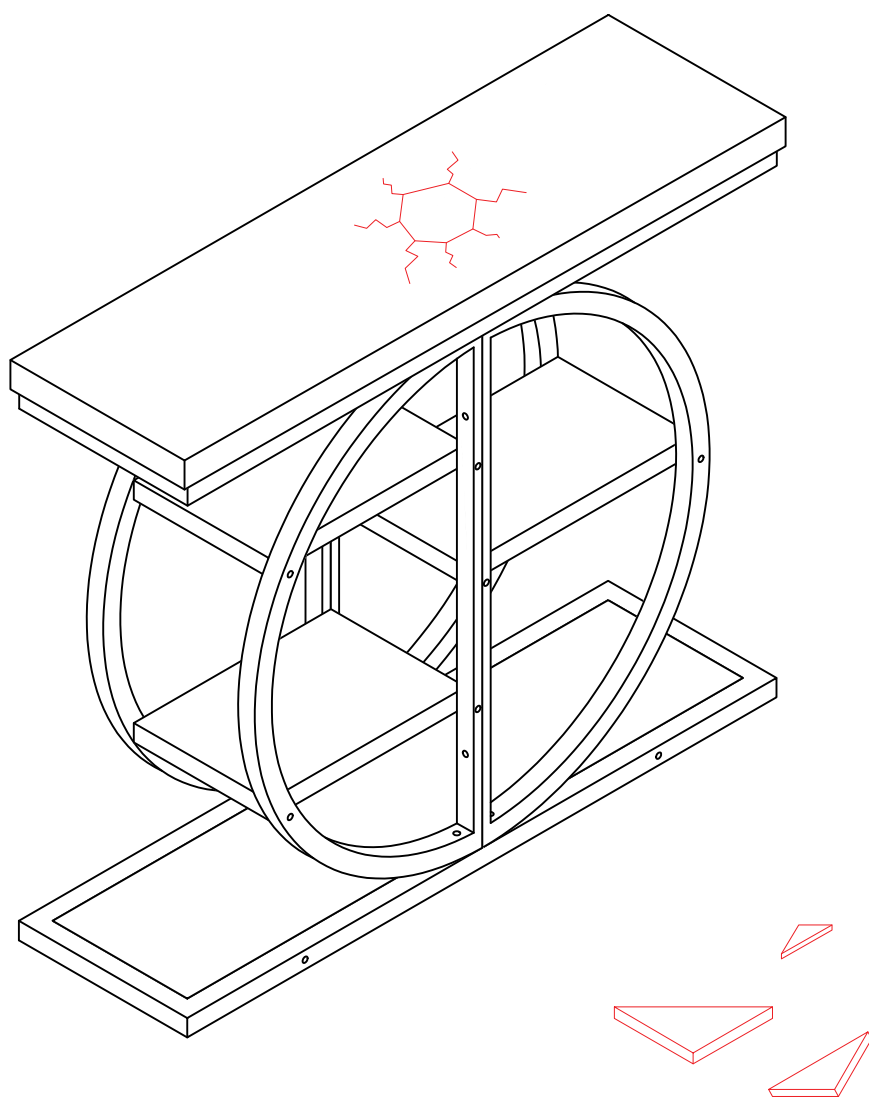
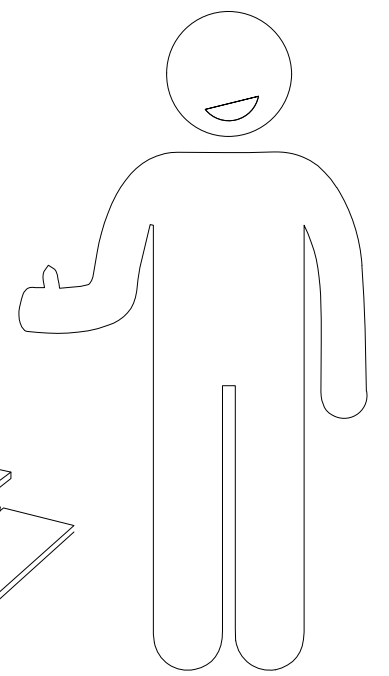
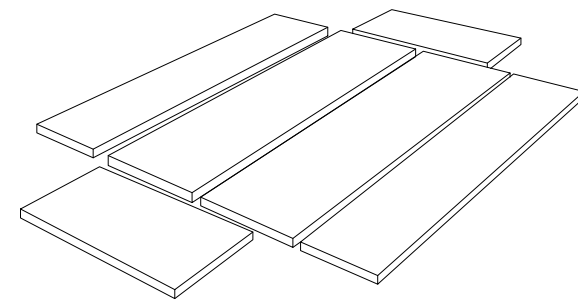
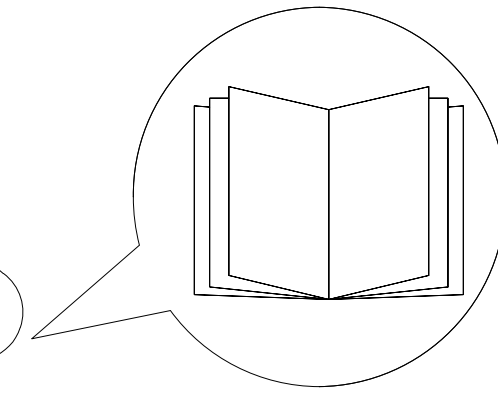
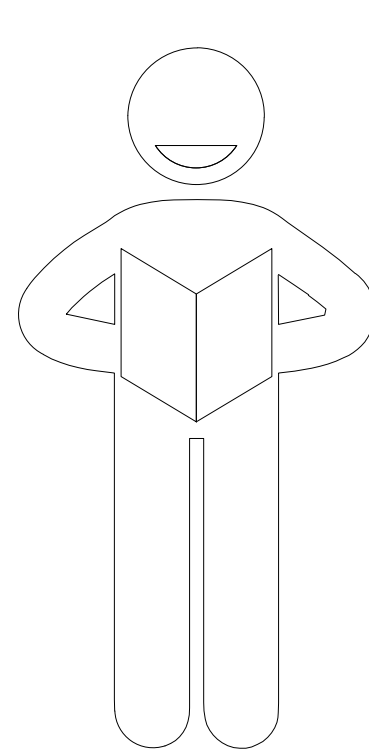
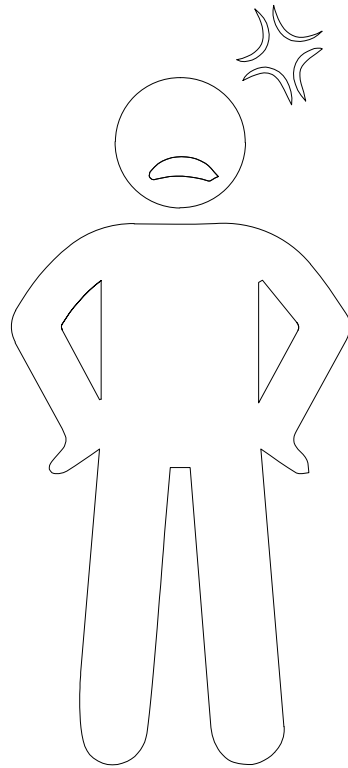
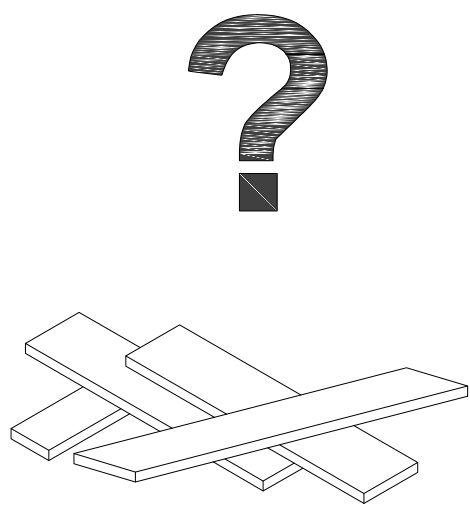
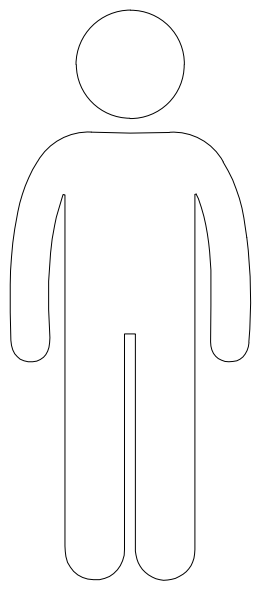


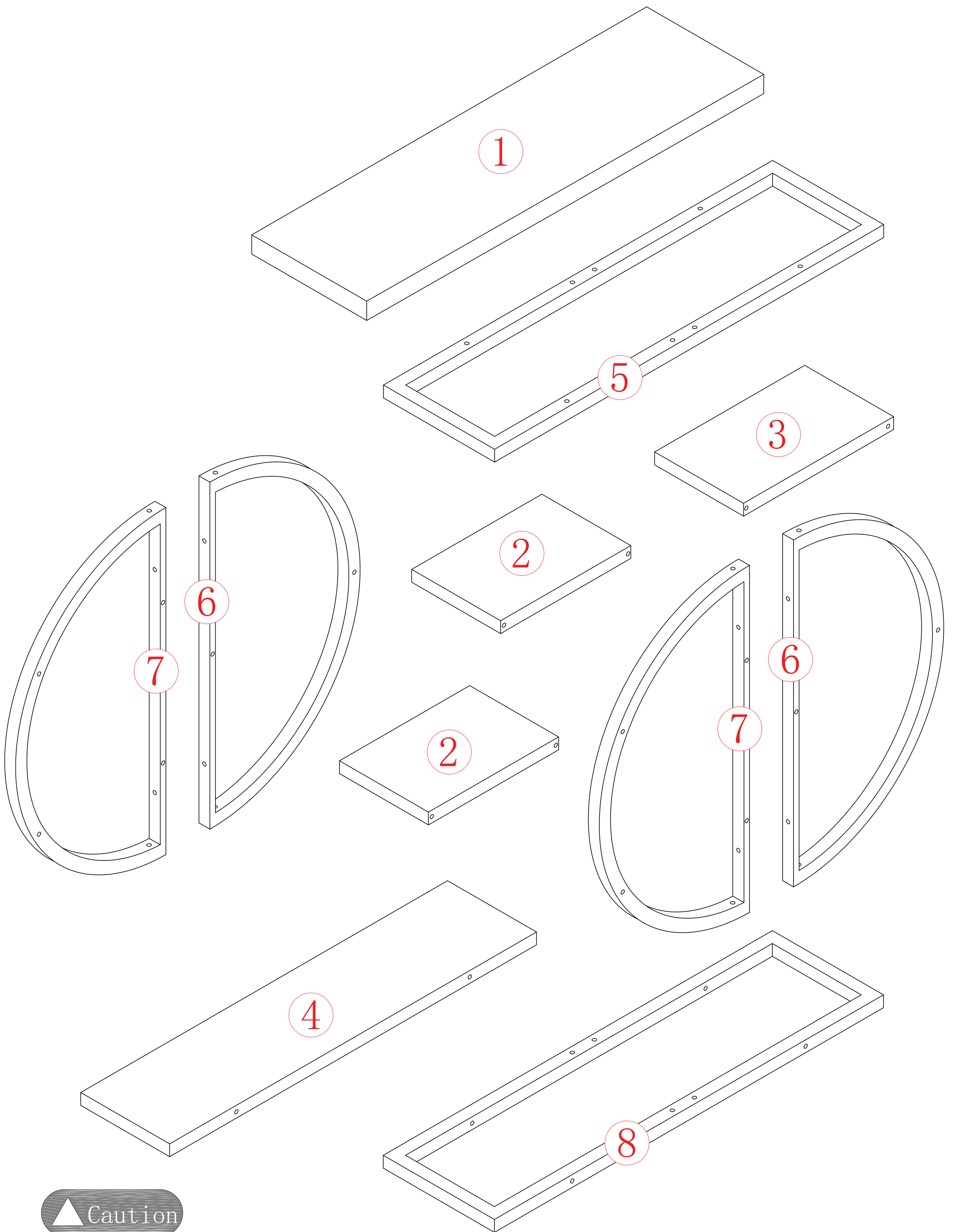


X2



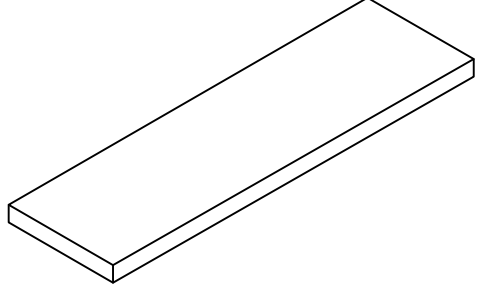
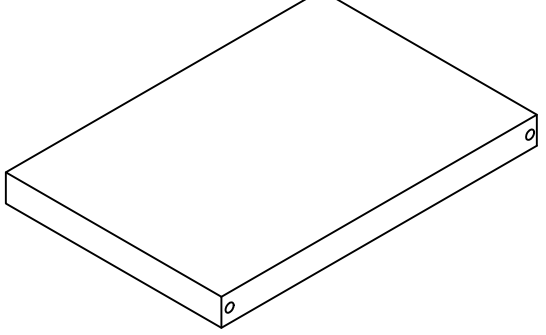
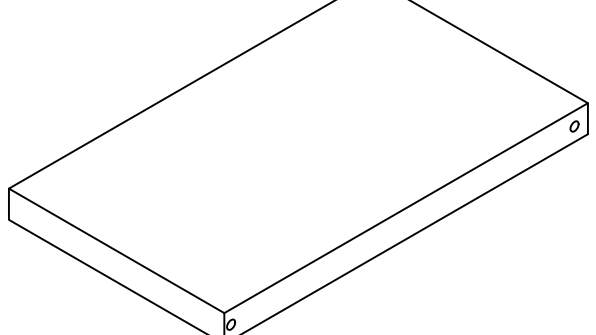
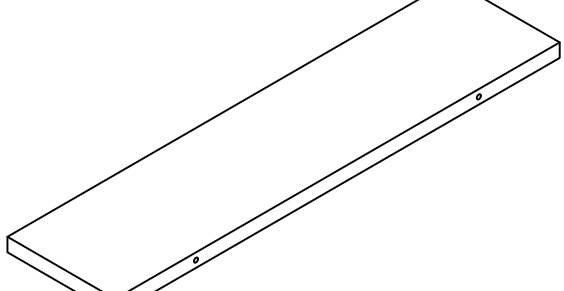
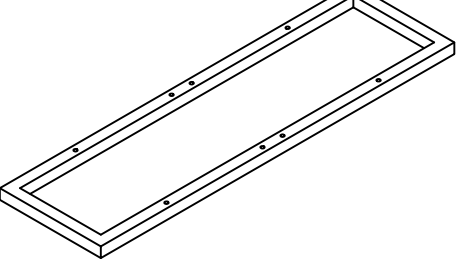
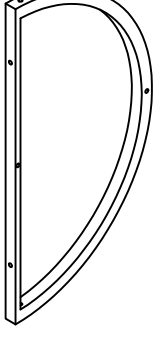
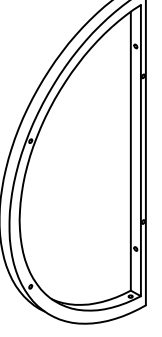
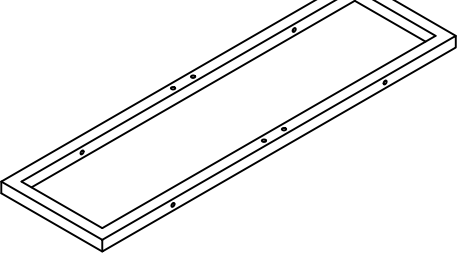
When using the electric screwdriver ,
Reduce the power and torque to avoid damaging the furniture



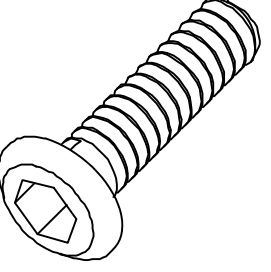
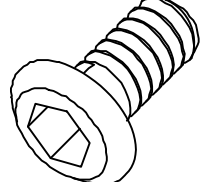
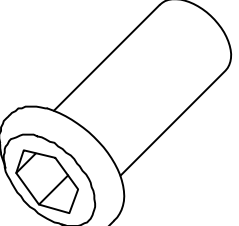
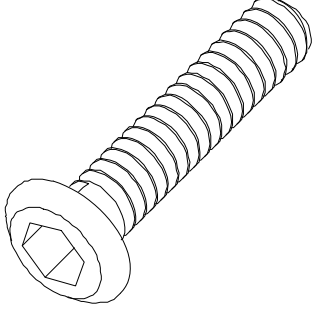
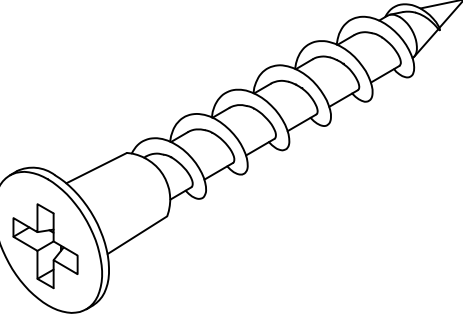
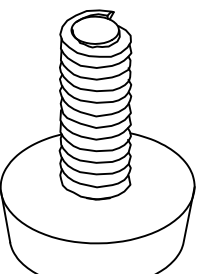
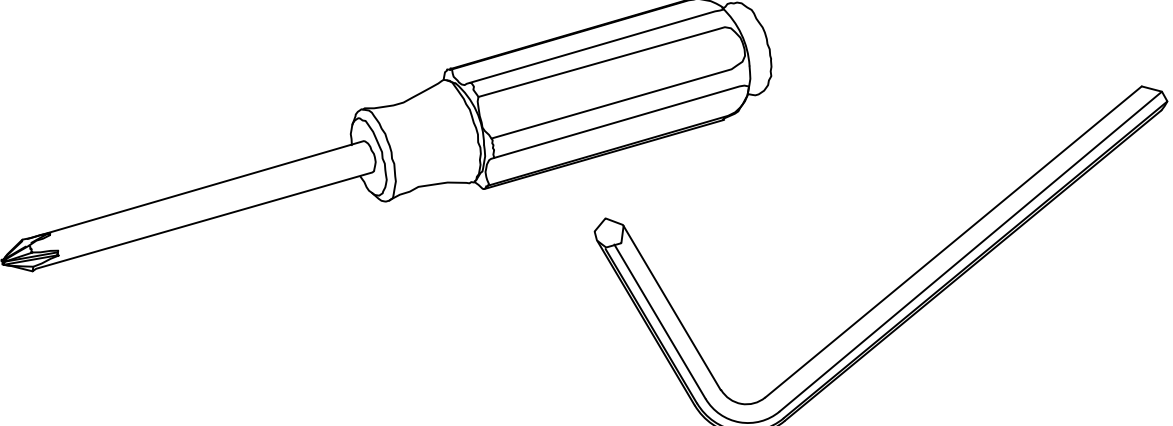


Make sure all parts are included. Most board parts are labeled or stamped on the raw edge. Contact us for free replacement if having damaged or missing parts.

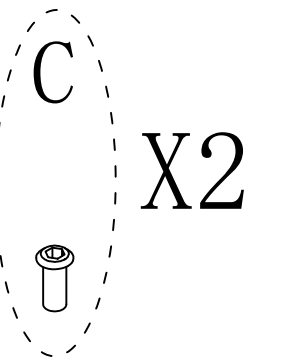
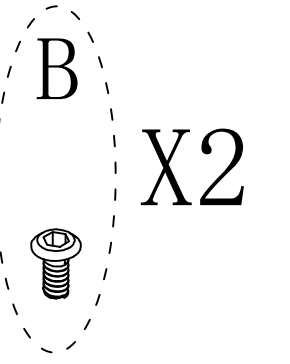
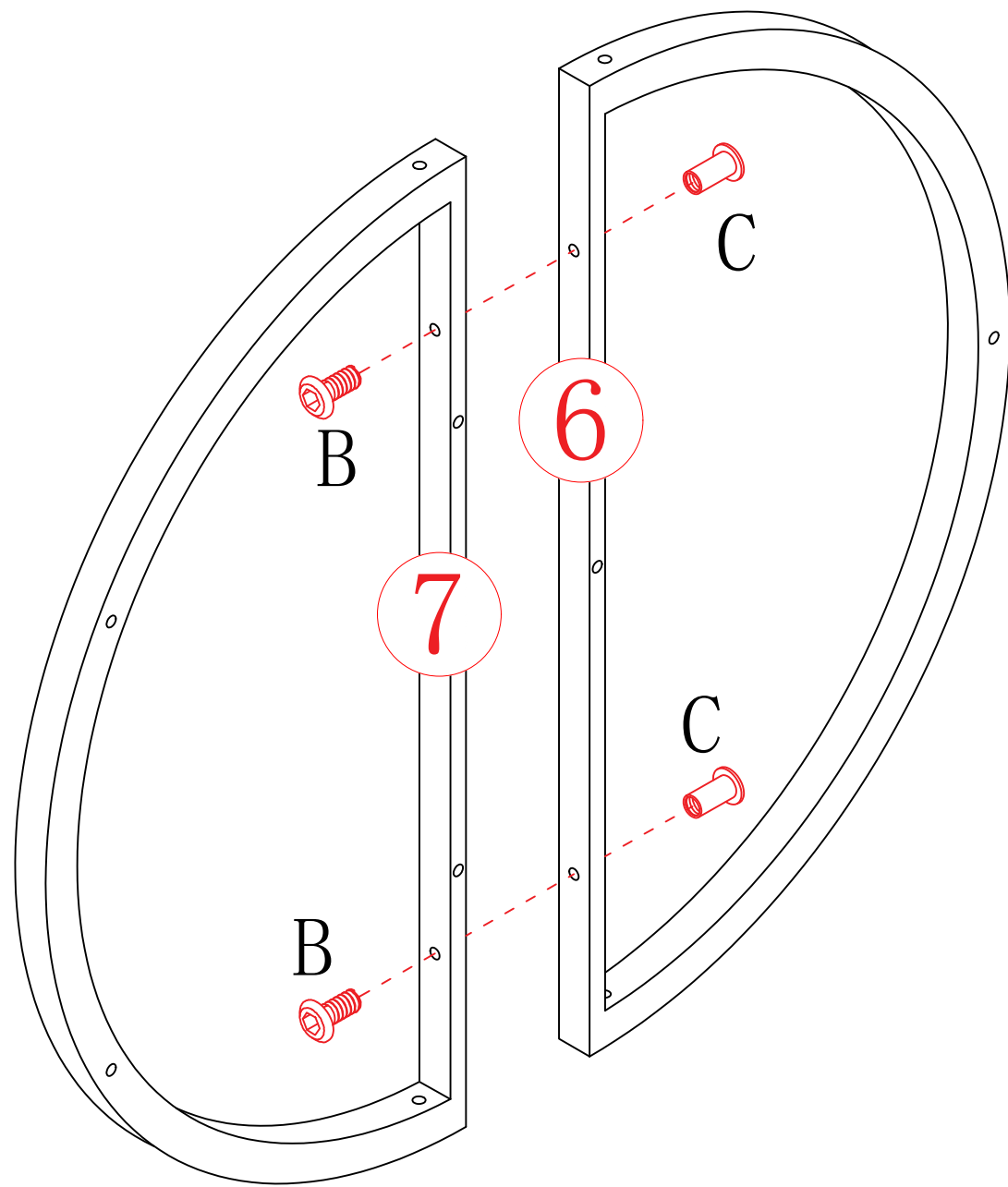
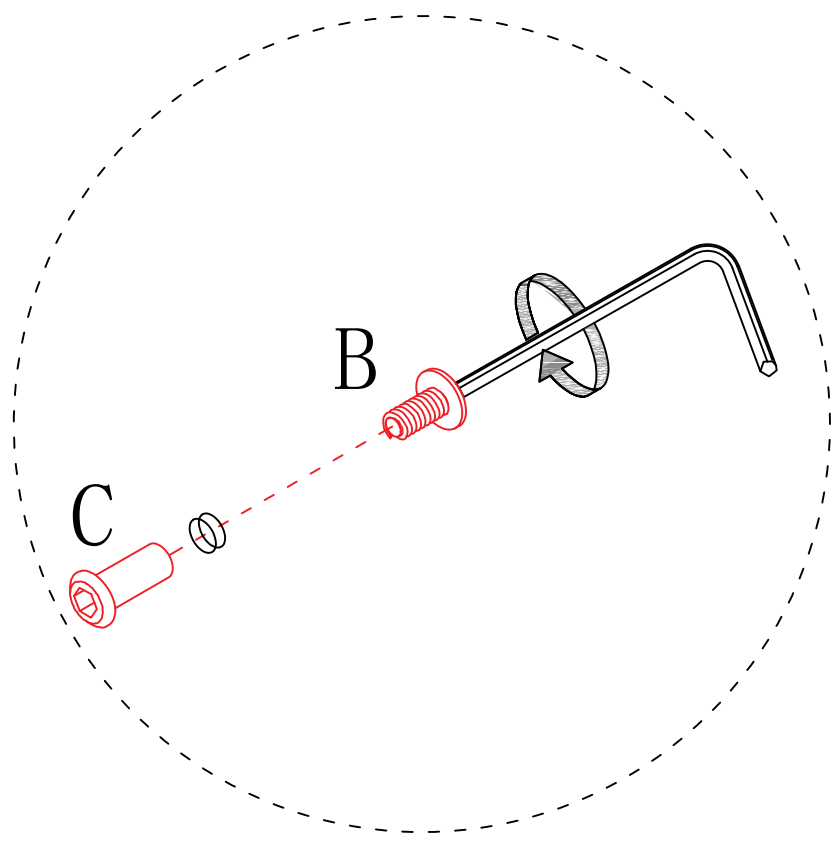
Parts & Hardware List

 <p>① 1pc</p>	 <p>② 2pc</p>	 <p>③ 1pc</p>	 <p>④ 1pc</p>
 <p>⑤ 1pc</p>	 <p>⑥ 2pc</p>	 <p>⑦ 2pc</p>	 <p>⑧ 1pc</p>

Parts & Hardware List

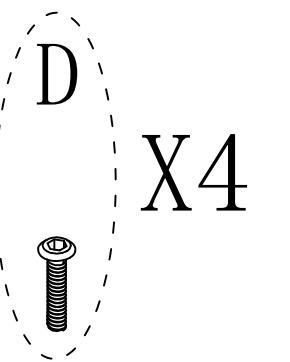
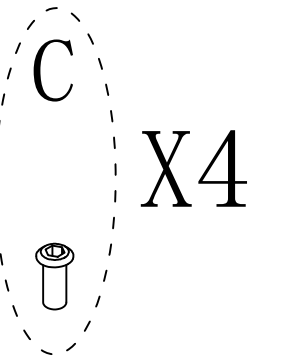
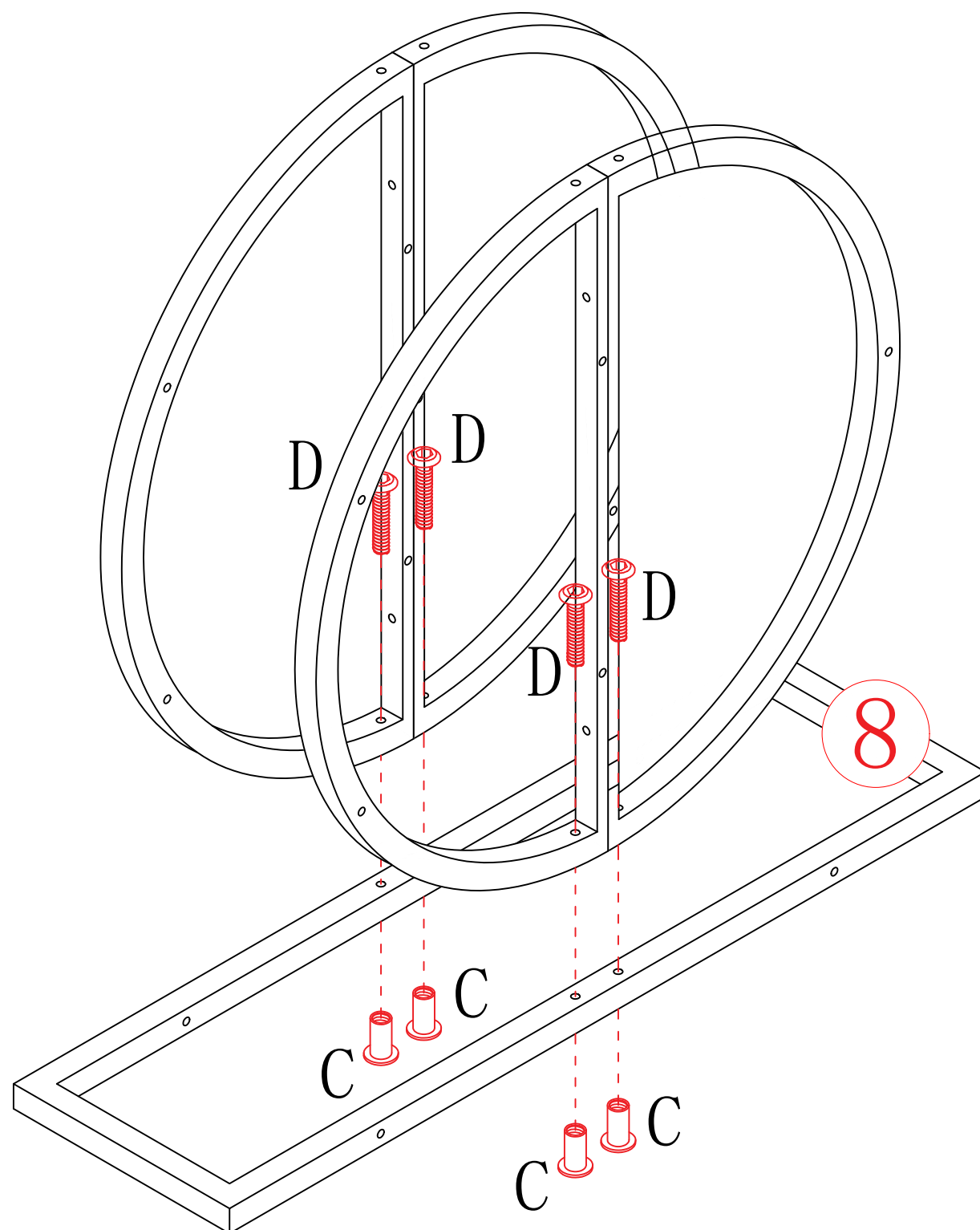
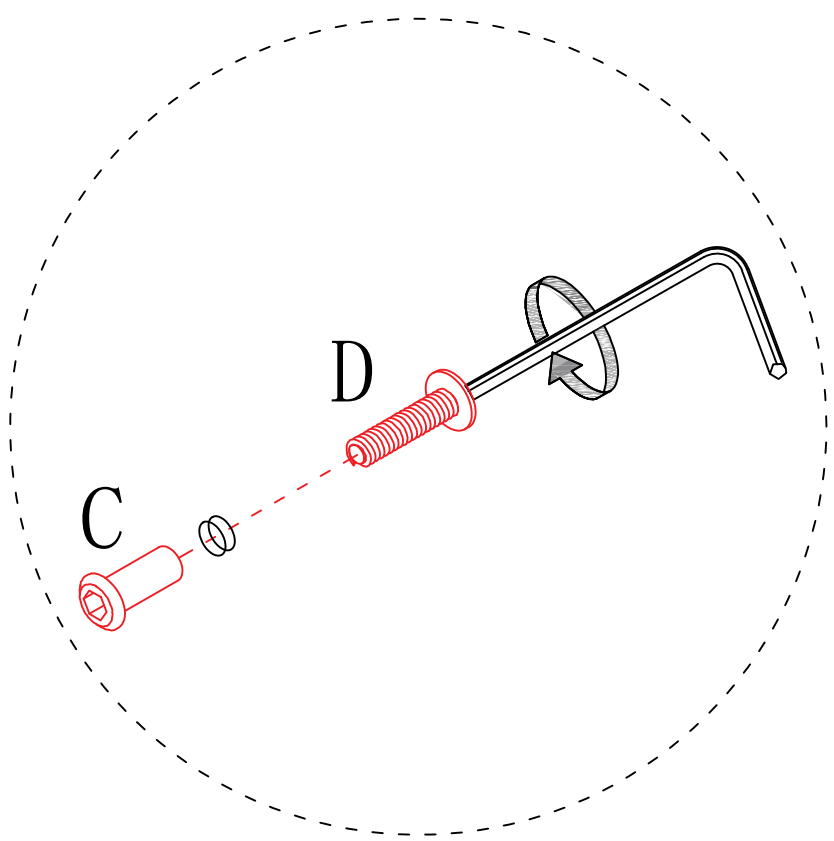
 <p>A 8pcs</p>	 <p>B 4pcs</p>	 <p>C 8pcs</p>	 <p>D 4pcs</p>
 <p>E 16pcs</p>	 <p>F 4pcs</p>		

1

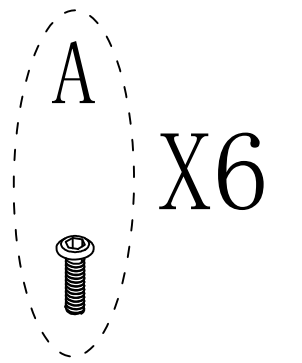
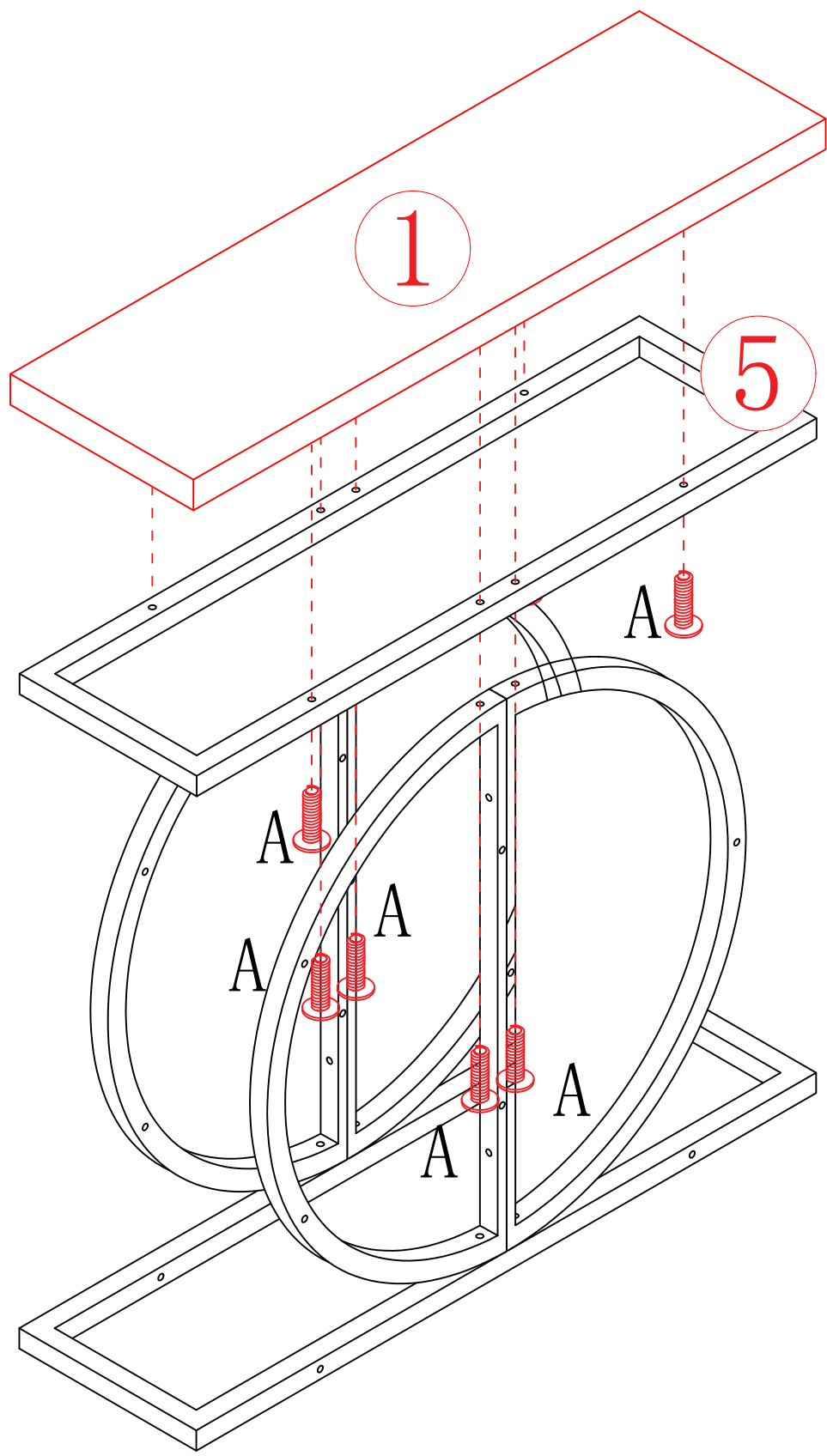
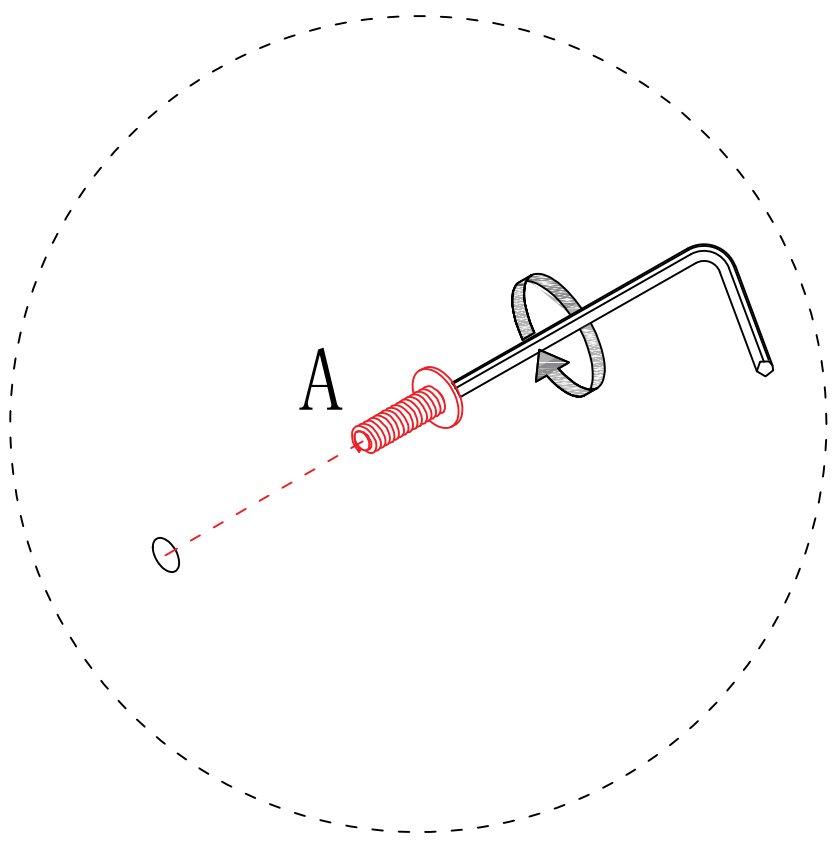


X2

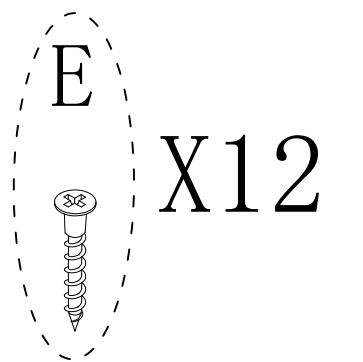
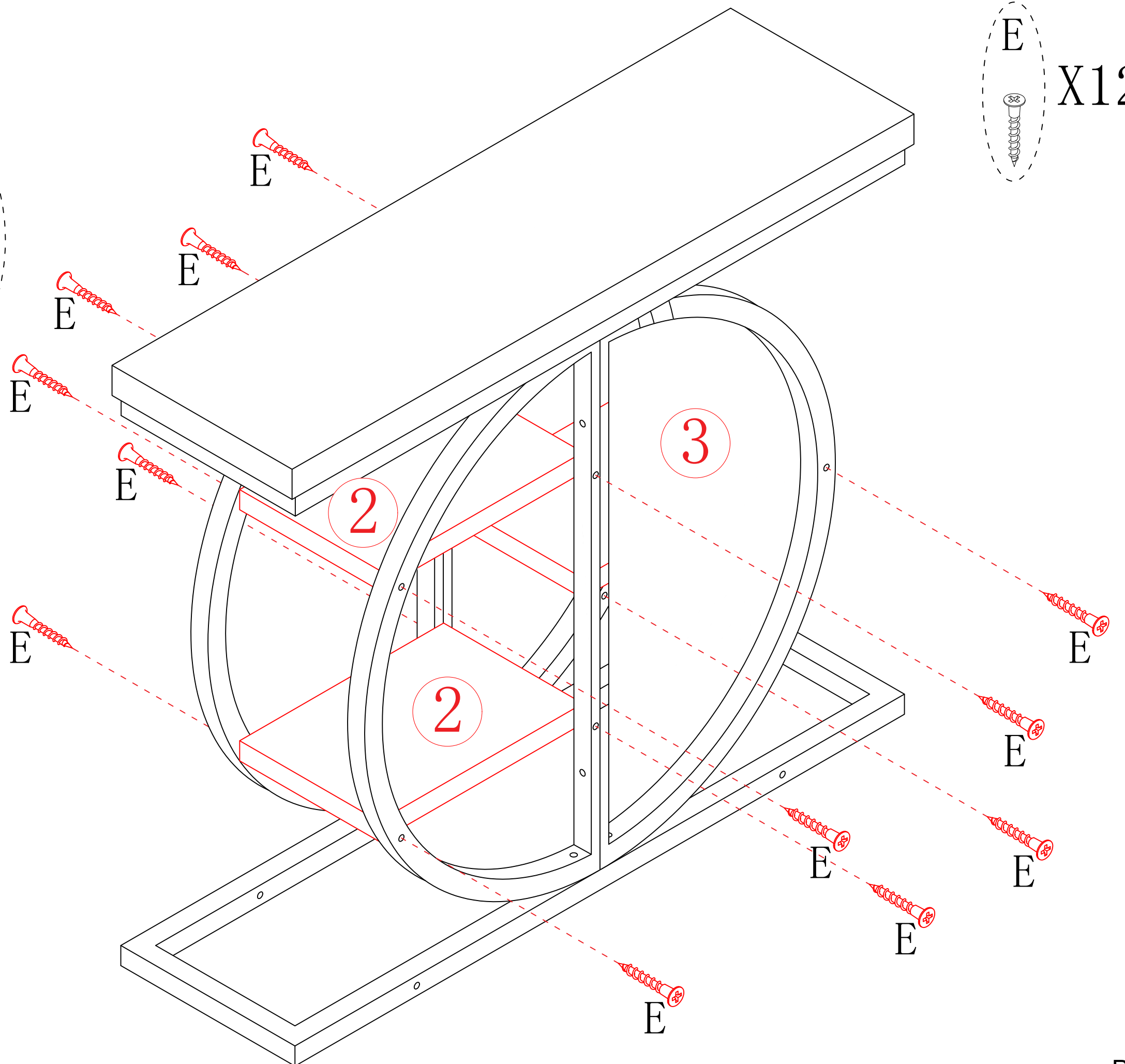
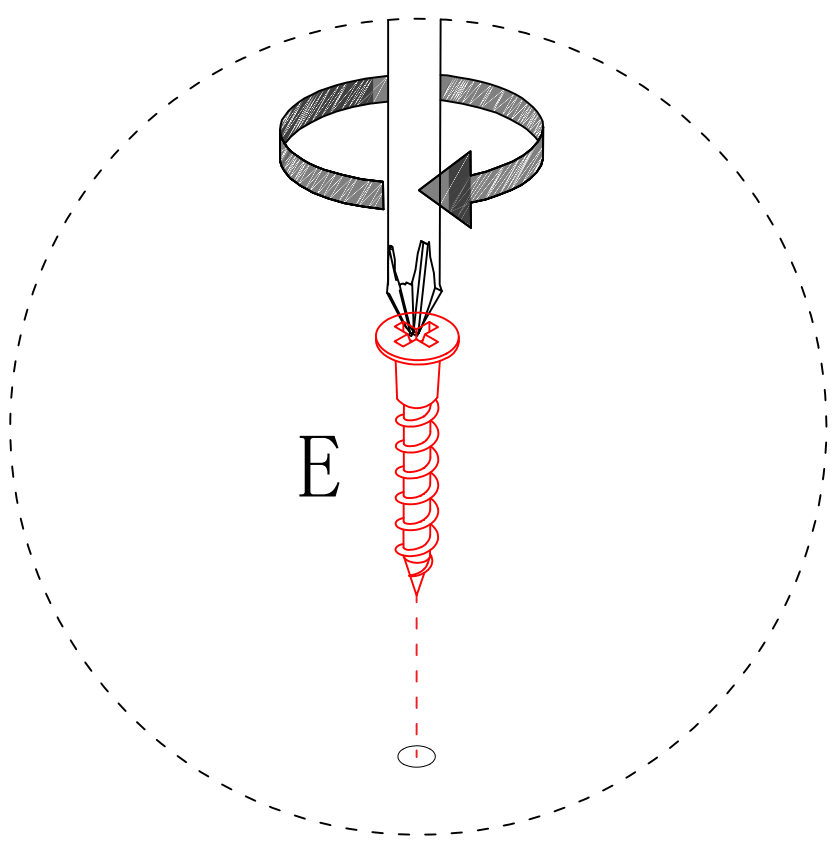
2



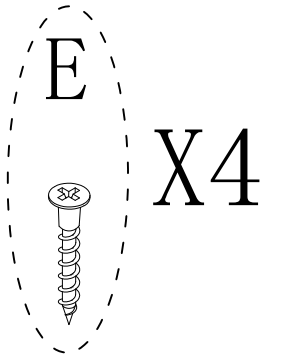
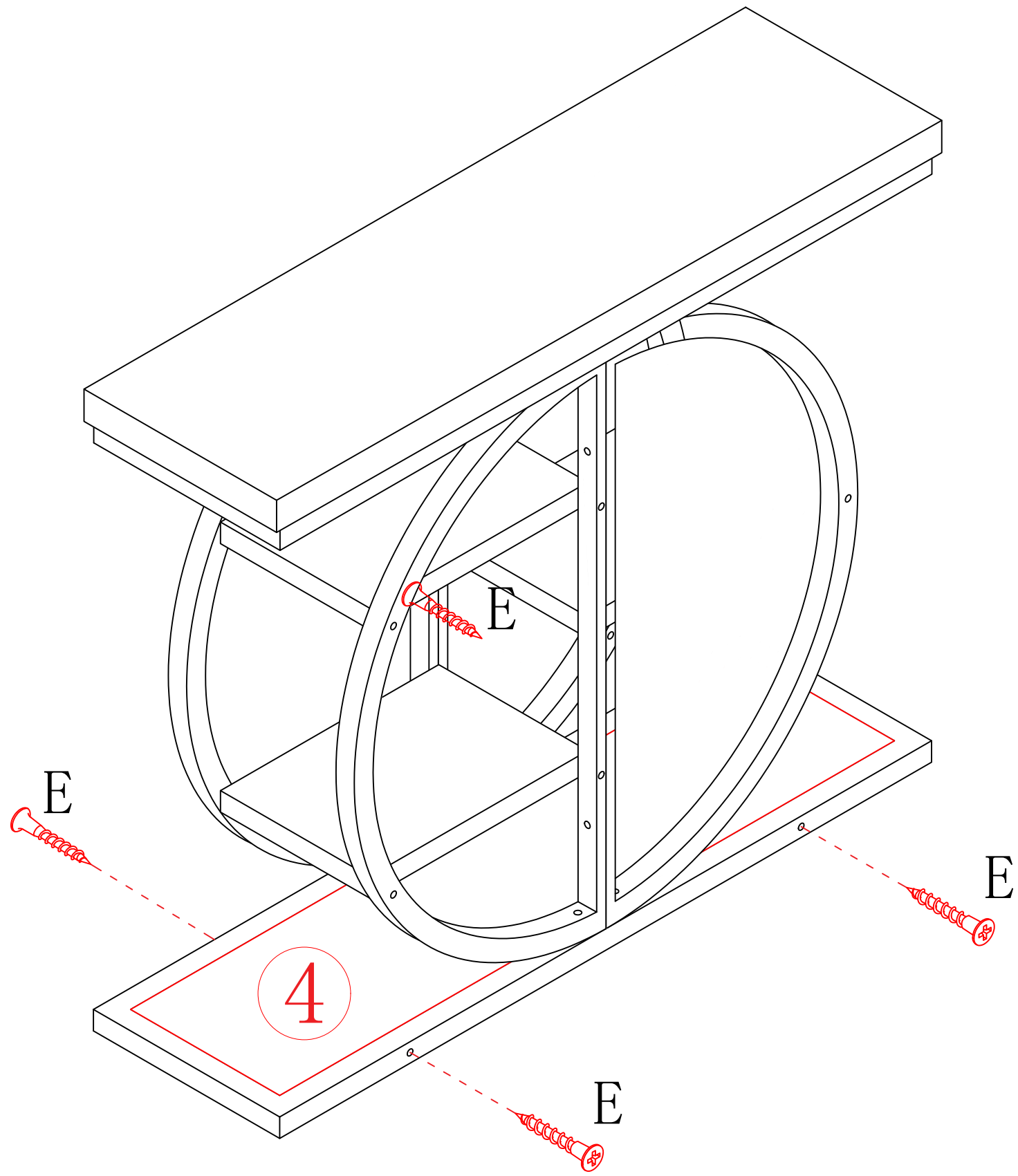
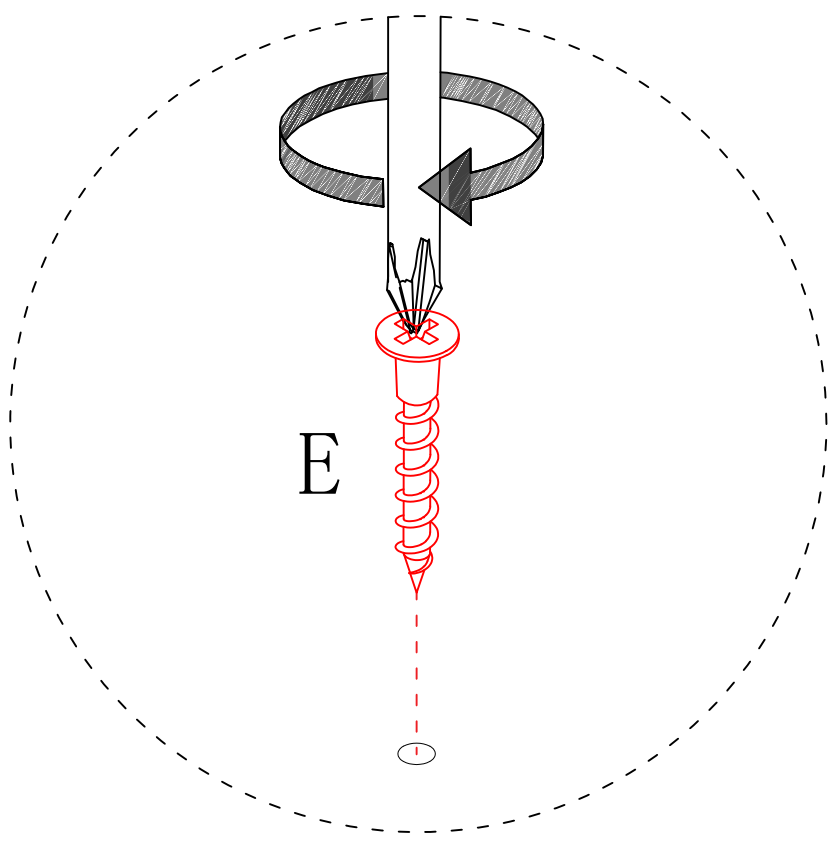
3



4



5



6

