

Warning

Warning:

This manual is intended to describe the items that you should be aware of when using the product to prevent harm to you and other people and damage to property. For safe use, please be sure to follow the contents of this manual.

Please read this manual carefully before use to ensure the correct and safe use of the product. Also, please read the quality label attached to the product.

The contents of this manual and the precautions for use describe measures to prevent incorrect usage and accidents. Please keep this manual in a safe place and refer to it when necessary. When renting or transferring the product to a third party, be sure to attach this manual and fully explain the handling method.

The precautions written here are intended to prevent harm or damage to you or others. All of these are important guidelines for safe use, so please be sure to observe them.

1. ****Prevent Electrical Hazards****

This product contains electrical components (LED lights and light strips). Please ensure that the socket and power cord are intact before use. If the cable is damaged, do not use the product and contact a professional for repair.

Before cleaning or maintenance, be sure to disconnect the power to avoid the risk of electric shock. Do not allow water or other liquids to come into contact with the lighting components to avoid electrical short circuits or damage.

2. ****Prevent Overheating and Fire****

Do not cover the light or LED strip vents to avoid overheating of the equipment.

Do not place the dressing table near high temperatures or heat sources (such as radiators or ovens) to prevent overheating or fire.

3. ****Product Assembly and Stability****

When assembling this product, strictly follow the steps in the instruction manual. Ensure that all screws and fasteners are firmly secured to prevent loosening or detachment.

Regularly check the screws and connectors of the product to prevent loosening after long-term use. If loose, tighten them promptly.

When in use, make sure the product is placed on a stable and solid surface to prevent tipping.

4. ****Child Safety Protection****

This product is not suitable for children to use alone. During assembly, keep small parts out of the reach of children to prevent choking or suffocation.

Do not allow children to climb on or play around the dressing table to avoid accidental injury or tipping.

5. ****Prevent Material Damage****

Avoid exposing this product to direct sunlight or humid environments to prevent material deformation or damage.

Do not use sharp objects on the surface of the dressing table to prevent scratches or damage to the panels.

When tightening screws, avoid over-tightening to prevent the panels from cracking.

6. ****Lighting Usage Precautions****

This product is equipped with an LED light strip for indoor use only. When using, avoid looking directly at the light for extended periods to prevent eye discomfort.

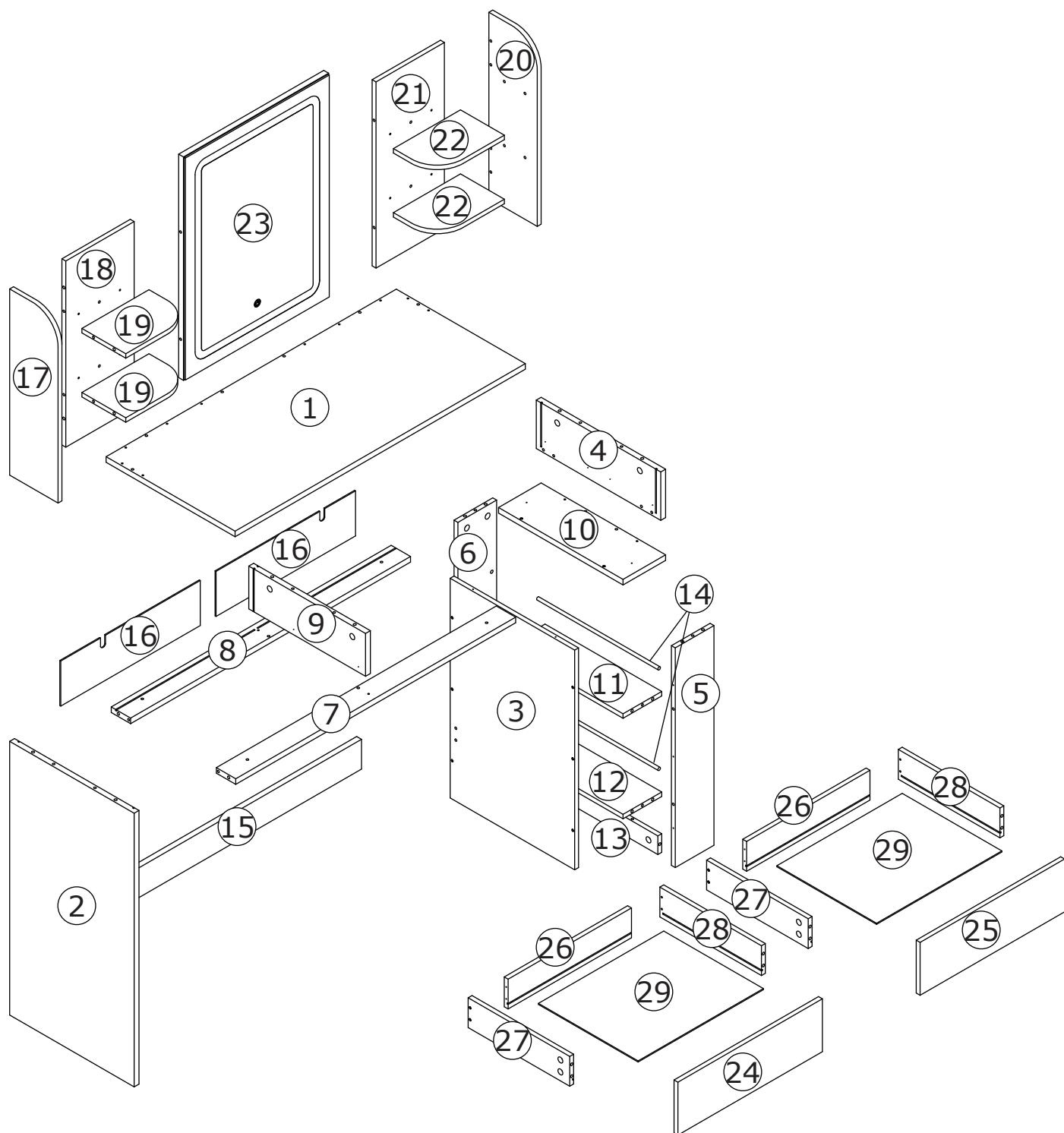
Do not disassemble or replace the lighting components yourself. If replacement is necessary, contact a professional technician.

7. ****Weight and Load Capacity****

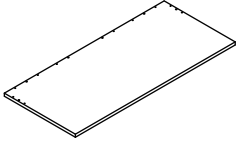
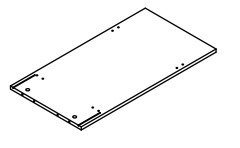
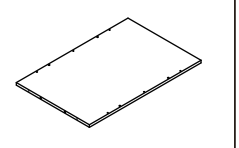
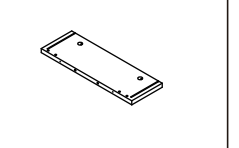
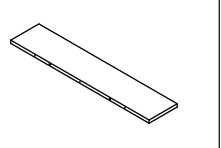
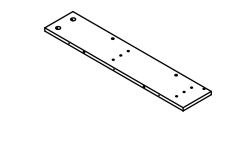
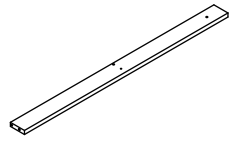
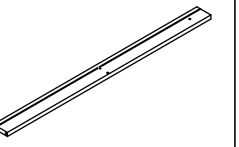
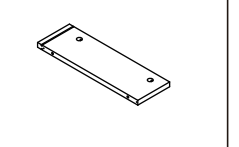
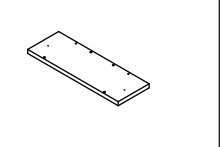
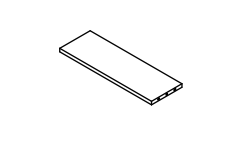
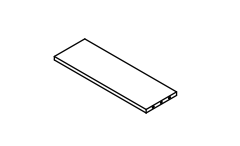
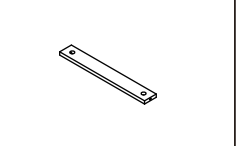
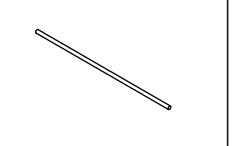
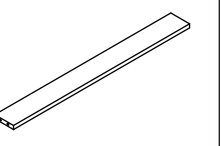
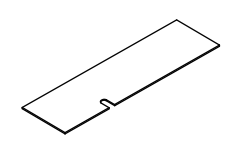
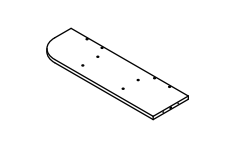
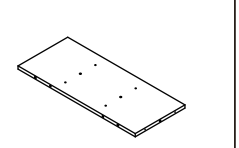
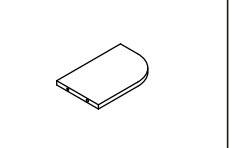
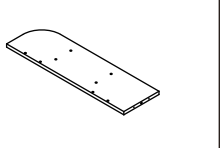
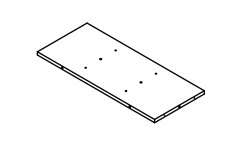
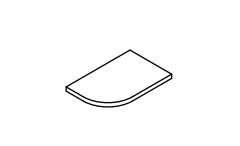
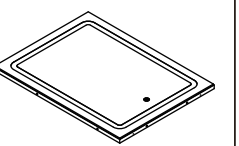
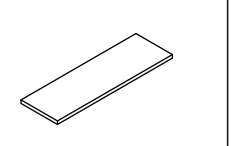
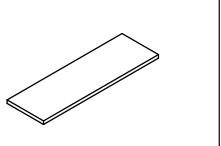
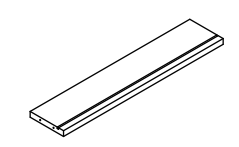
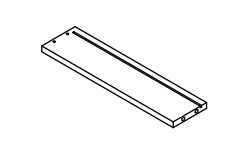
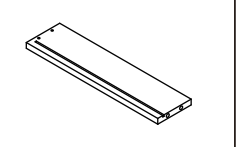
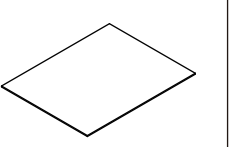
Do not place heavy objects on the dressing table. Exceeding the product's weight limit may cause structural damage or deformation.

****Important Reminder****

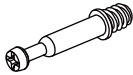


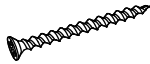





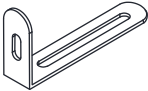

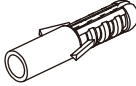


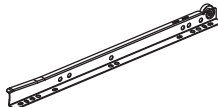


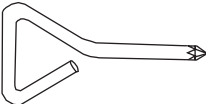
This product is for indoor use only and should not be placed in an outdoor environment. When renting or transferring this product to others, be sure to provide this manual to ensure proper use. Keep this manual for future reference.



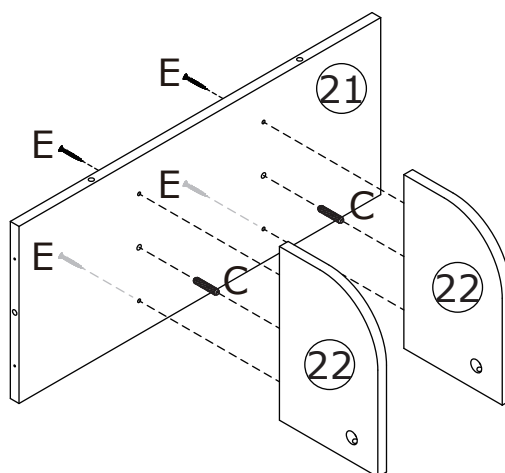
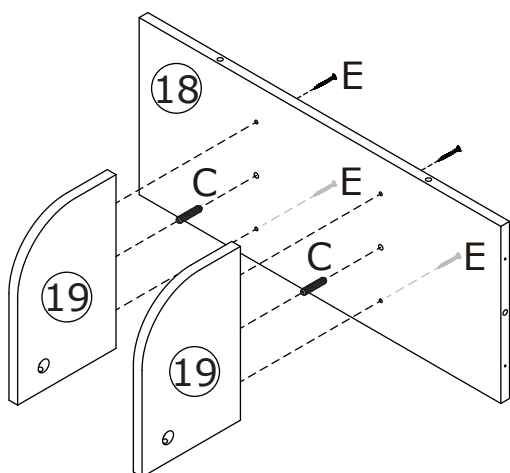
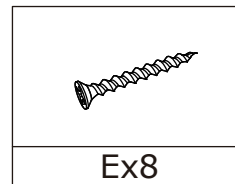
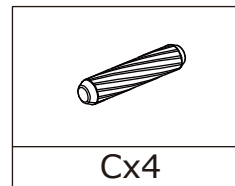
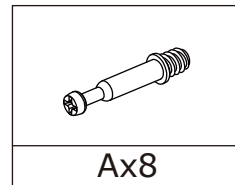
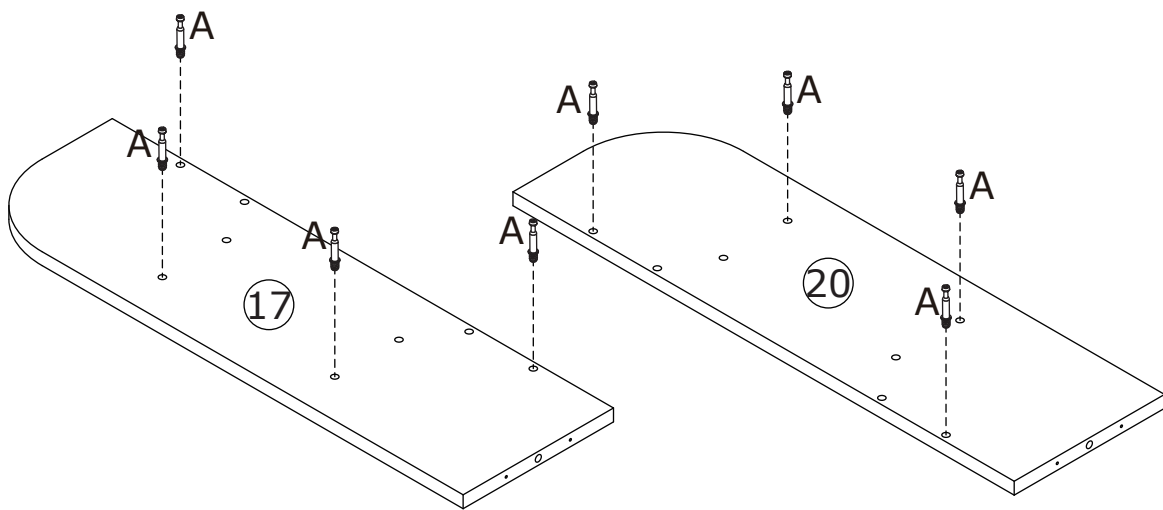
Parts and Operation Elements

				
① 1pc	② 1pc	③ 1pc	④ 1pc	⑤ 1pc
				
⑥ 1pc	⑦ 1pc	⑧ 1pc	⑨ 1pc	⑩ 1pc
				
⑪ 1pc	⑫ 1pc	⑬ 1pc	⑭ 2pcs	⑮ 1pc
				
⑯ 2pcs	⑰ 1pc	⑱ 1pc	⑲ 2pcs	⑳ 1pc
				
㉑ 1pc	㉒ 2pcs	㉓ 1pc	㉔ 1pc	㉕ 1pc
				
㉖ 2pcs	㉗ 2pcs	㉘ 2pcs	㉙ 2pcs	

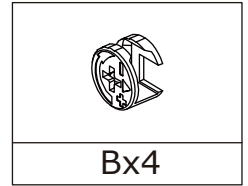
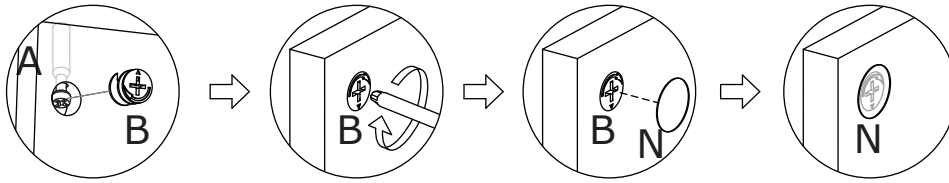
Hardware

			
Cam Bolt	Cam Lock	∅6x30mm Dowel	M4x40mm Screw
(A) 40pcs	(B) 40pcs	(C) 52pcs	(D) 14pcs
			
M4x30mm Screw	M4x25mm Screw	M3x12mm Screw	
(E) 26pcs	(F) 2pcs	(G) 20pcs	(H) 2pcs
			
		M4x14mm Screw	
(J) 1pc	(K) 2pcs	(L) 2pcs	(M) 2pcs
			
(CL) 2pcs	(CR) 2pcs	(DL) 2pcs	(DR) 2pcs
			
(N) 40pcs	(P) 1pc		

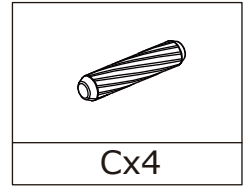
1



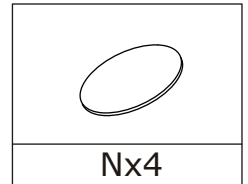
2



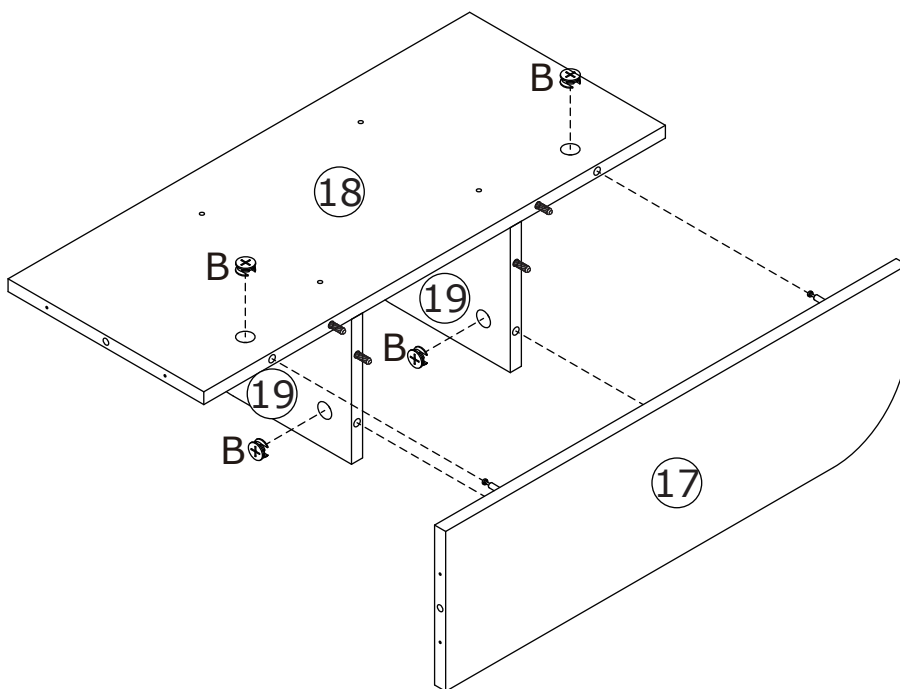
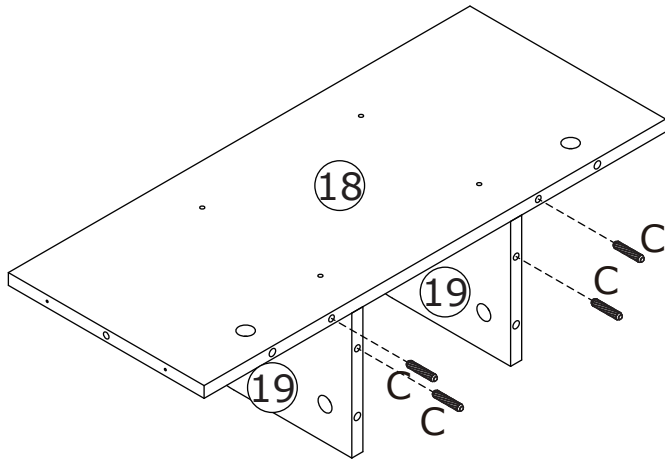
Bx4



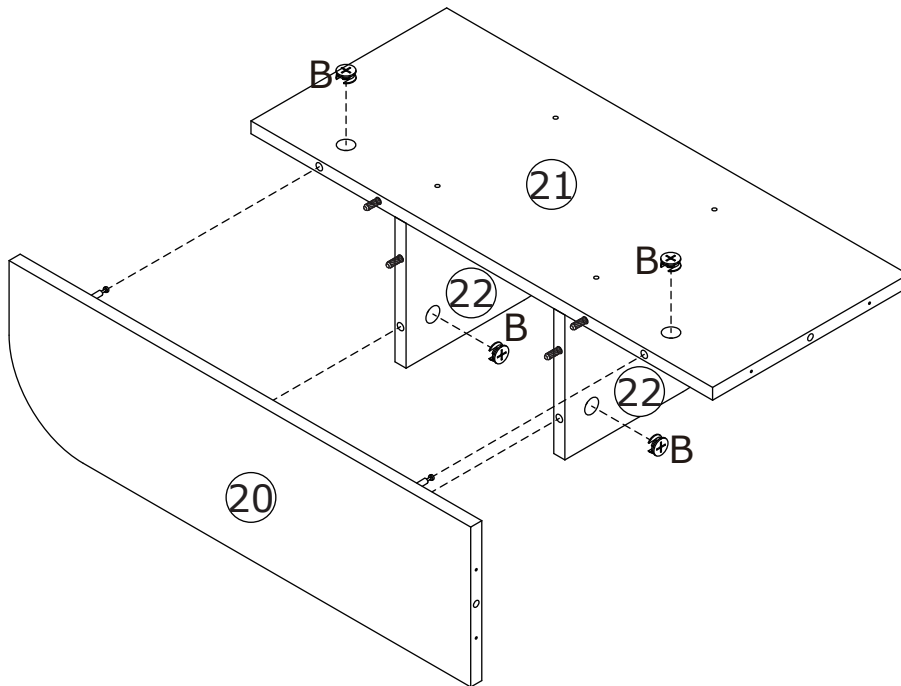
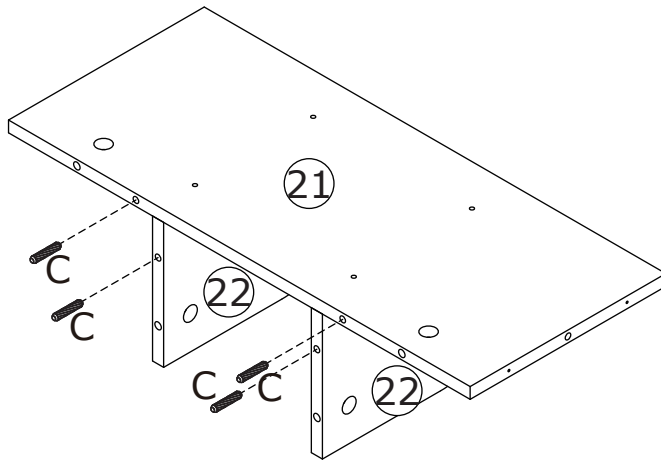
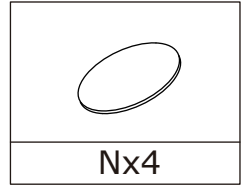
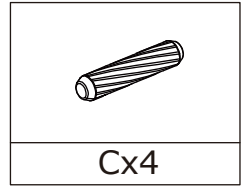
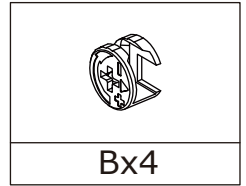
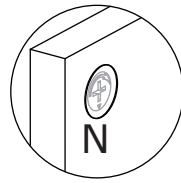
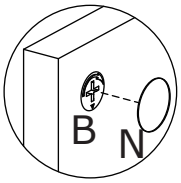
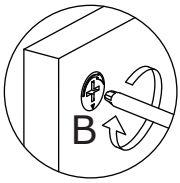
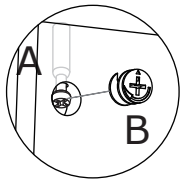
Cx4



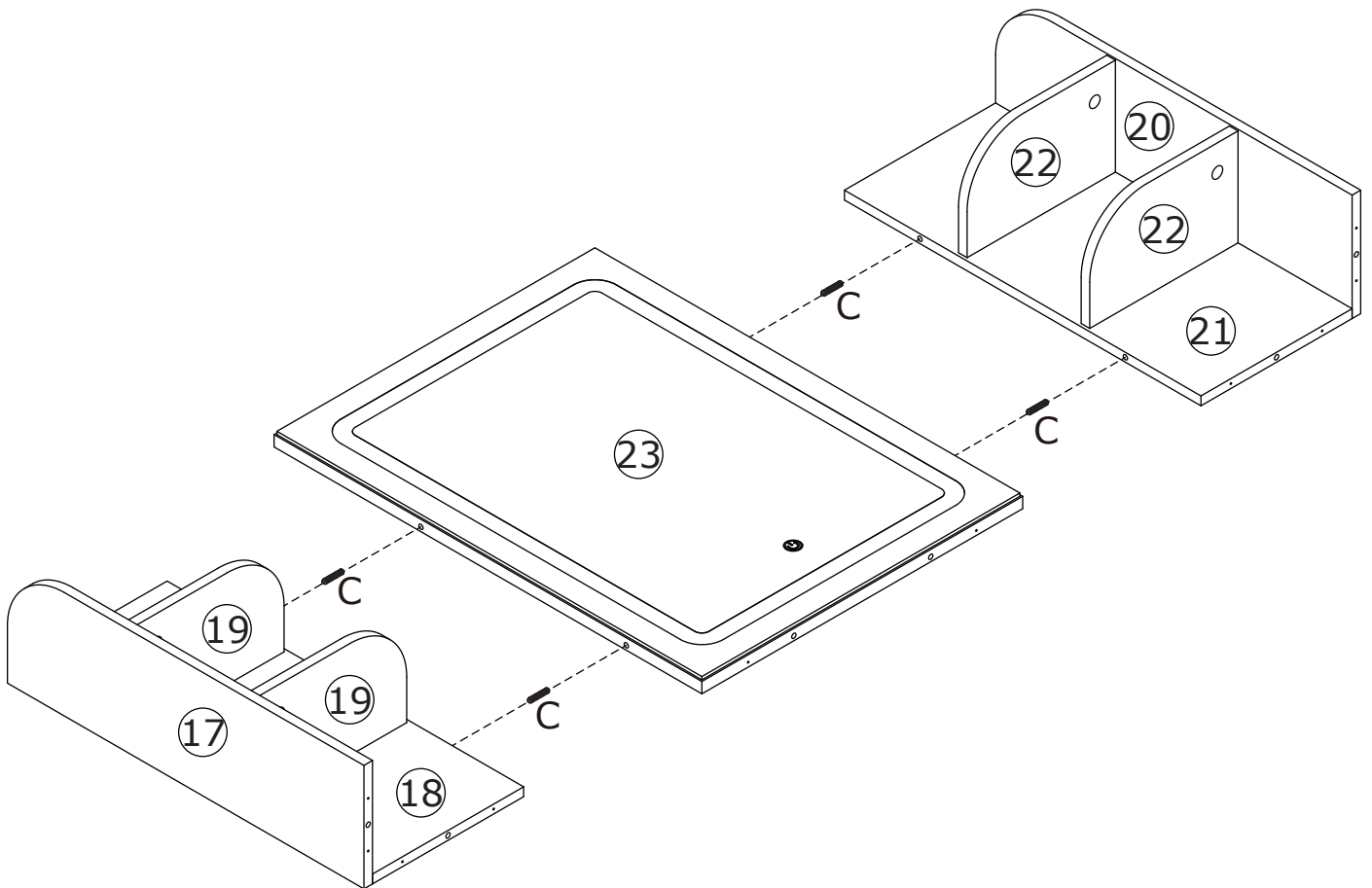
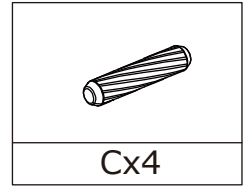
Nx4



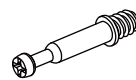
3



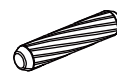
4



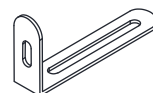
5



Ax6



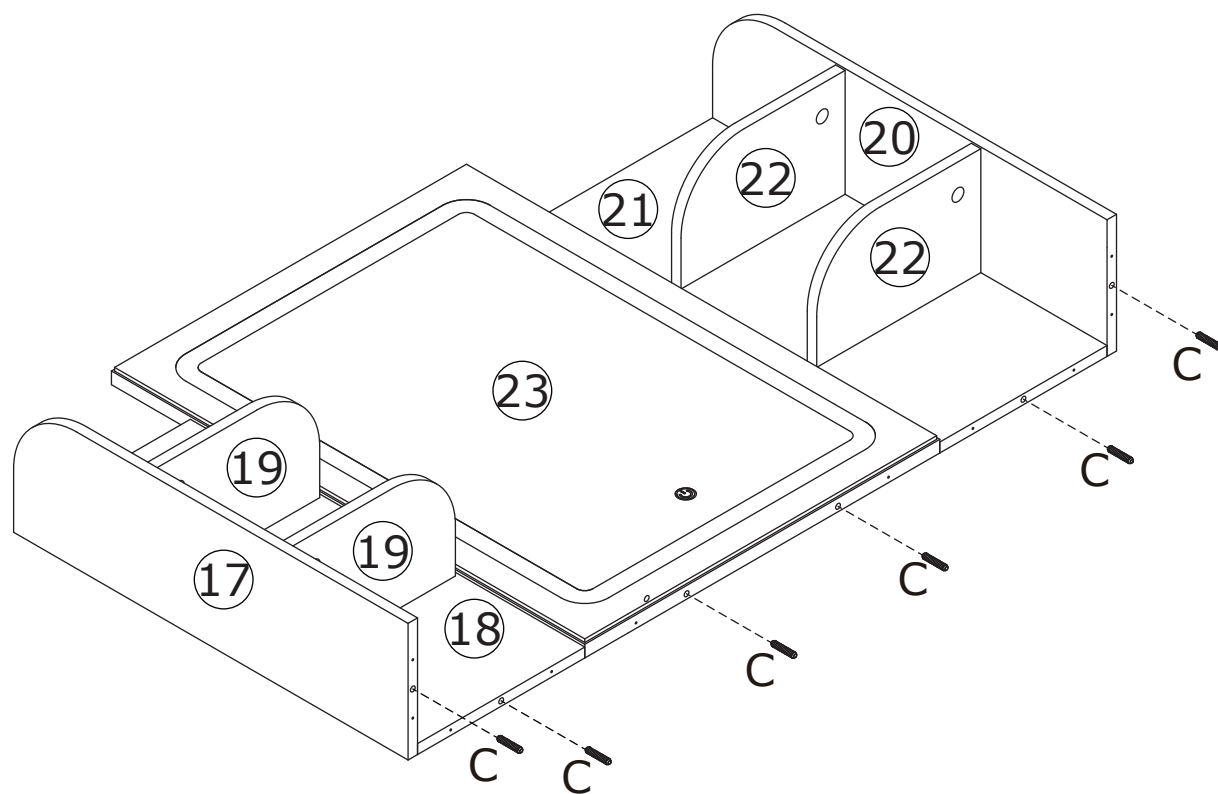
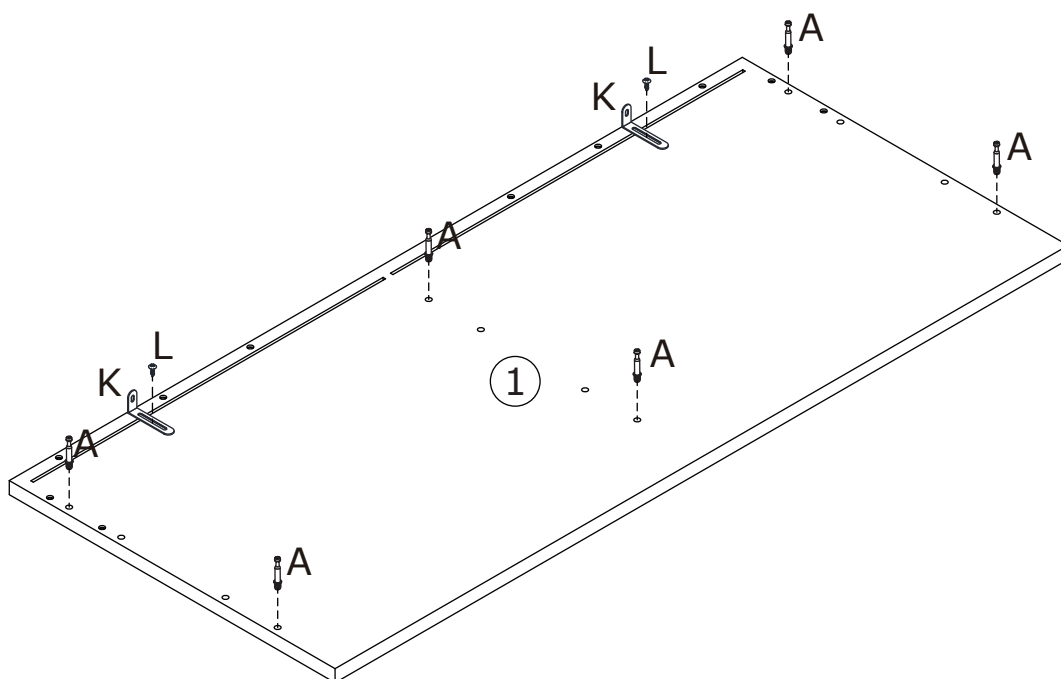
Cx6



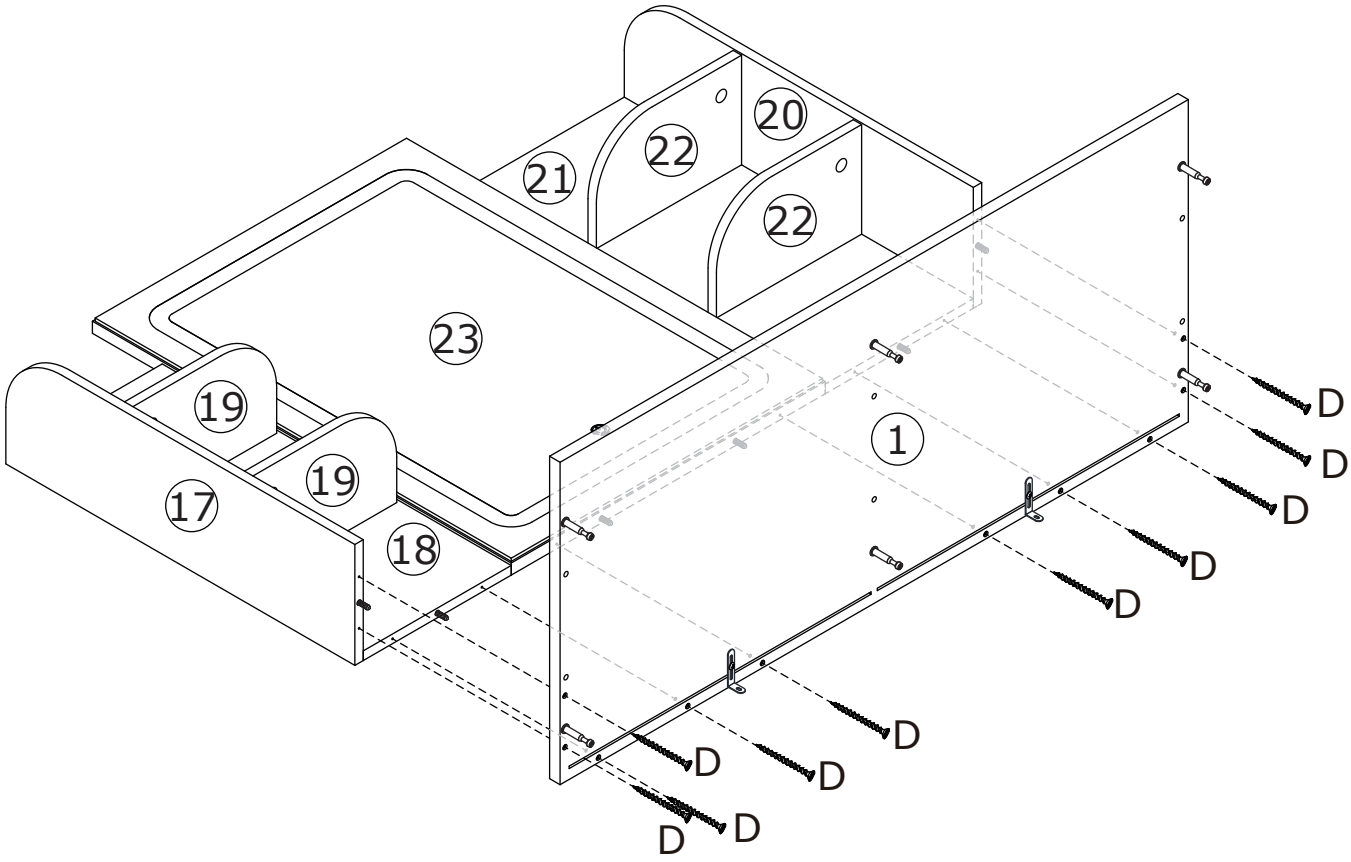
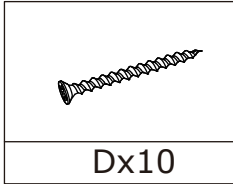
Kx2



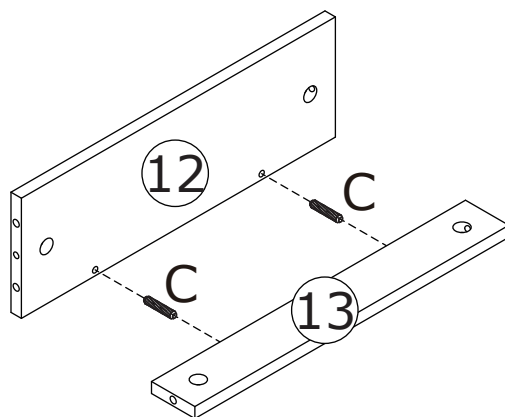
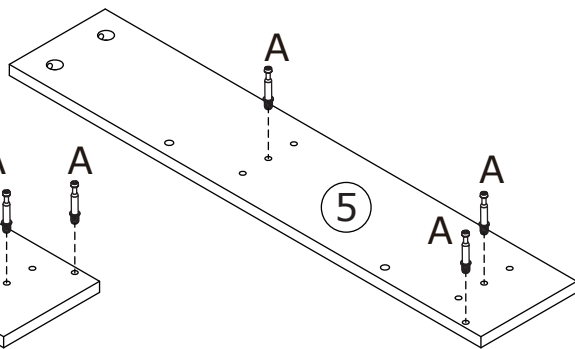
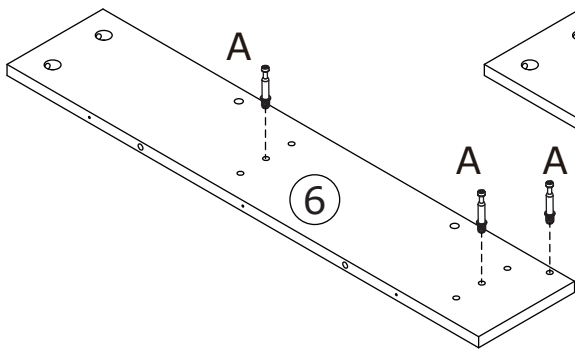
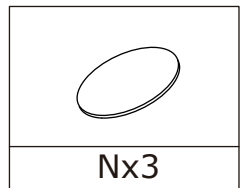
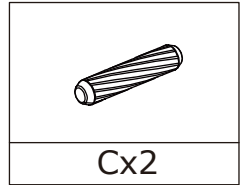
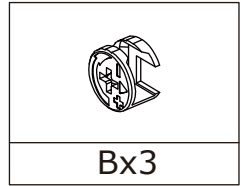
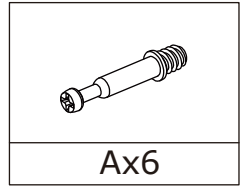
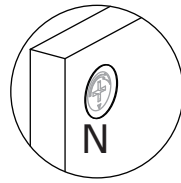
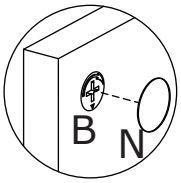
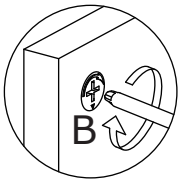
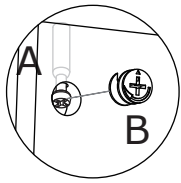
Lx2



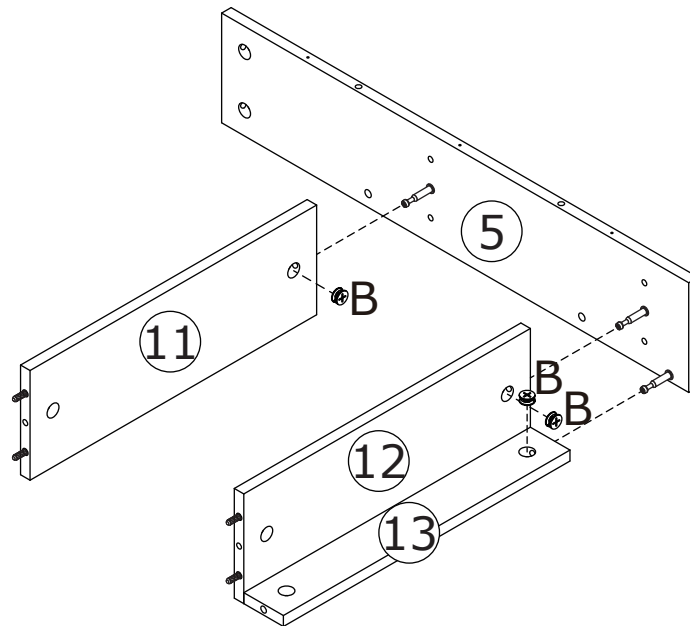
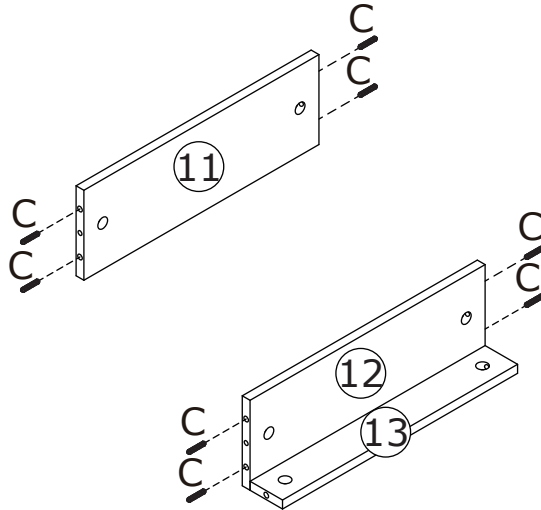
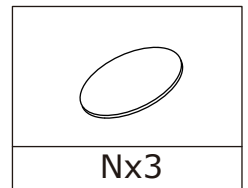
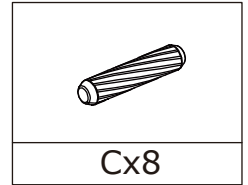
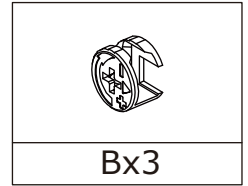
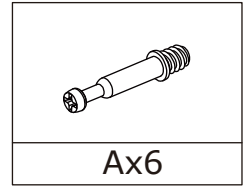
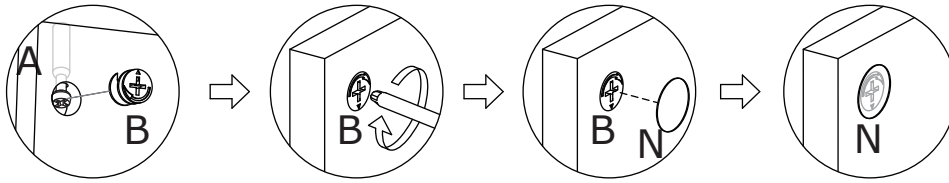
6



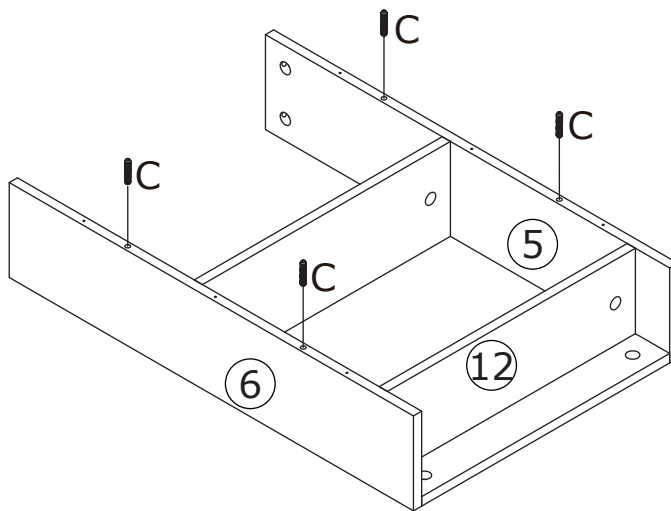
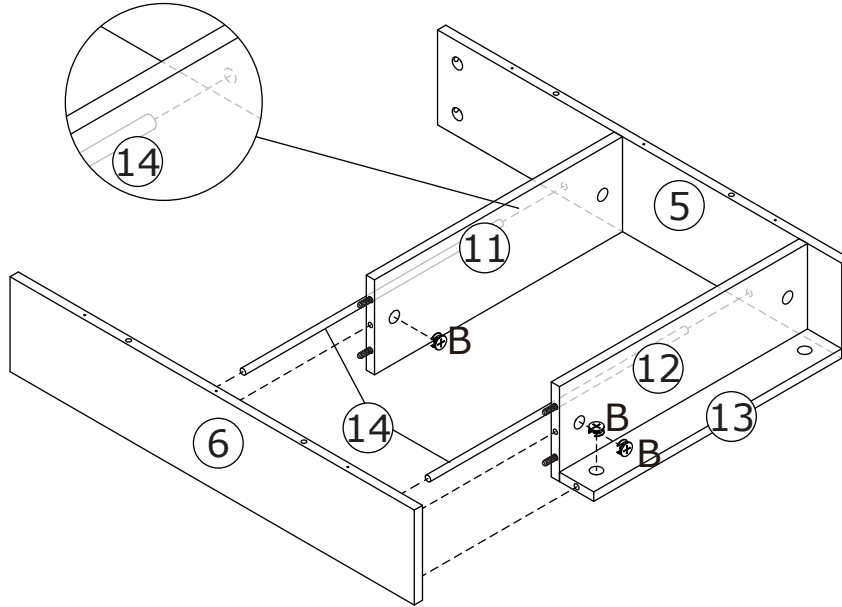
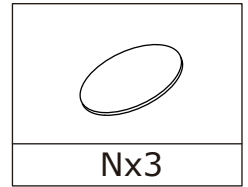
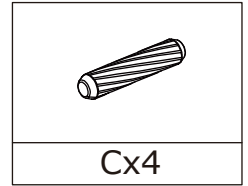
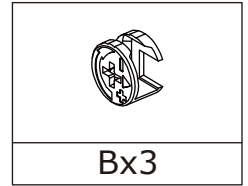
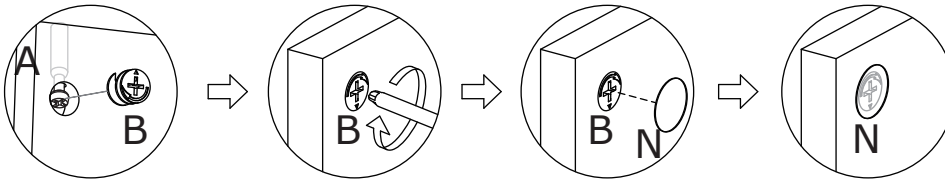
7



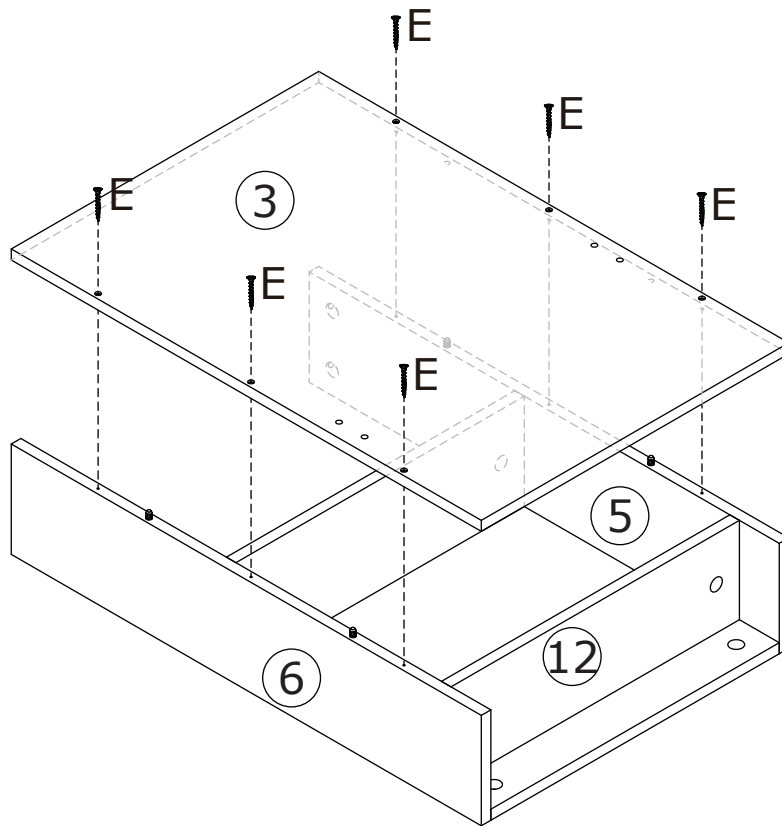
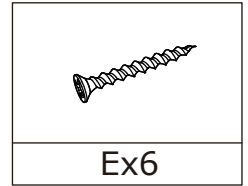
8



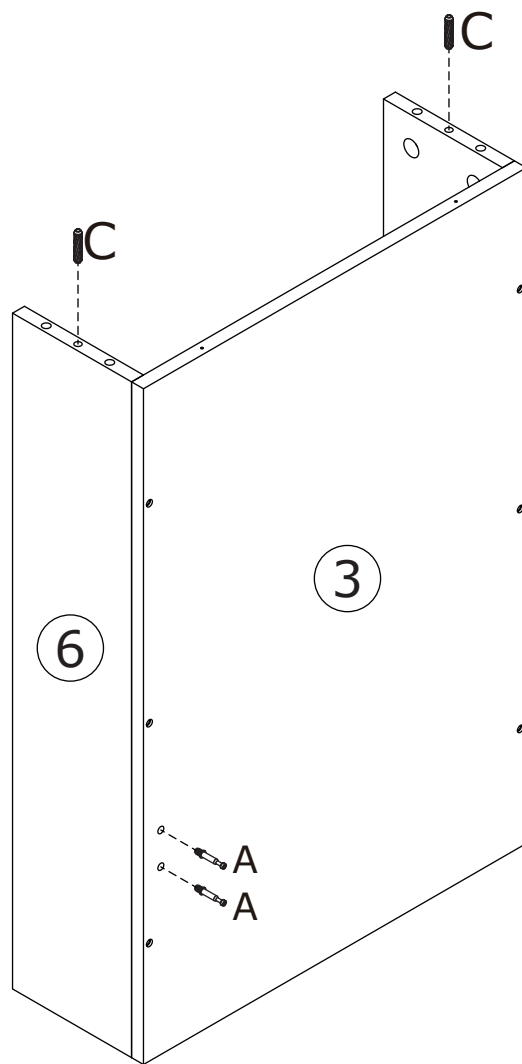
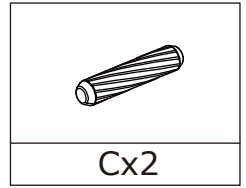
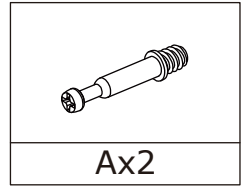
9



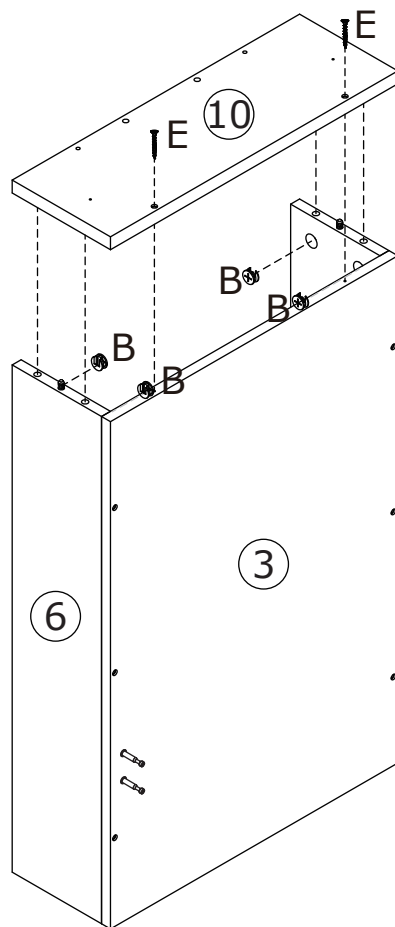
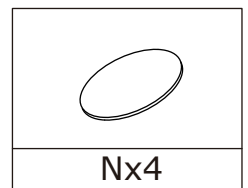
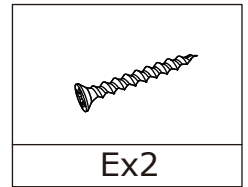
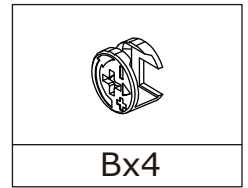
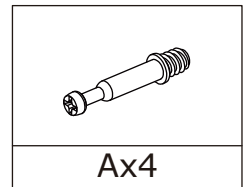
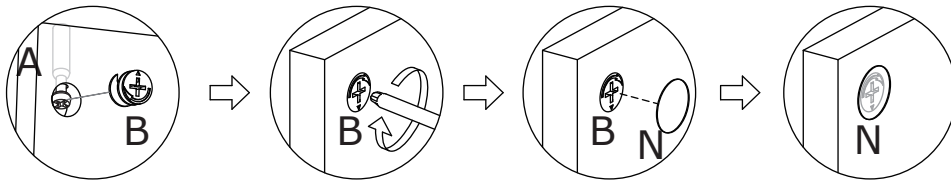
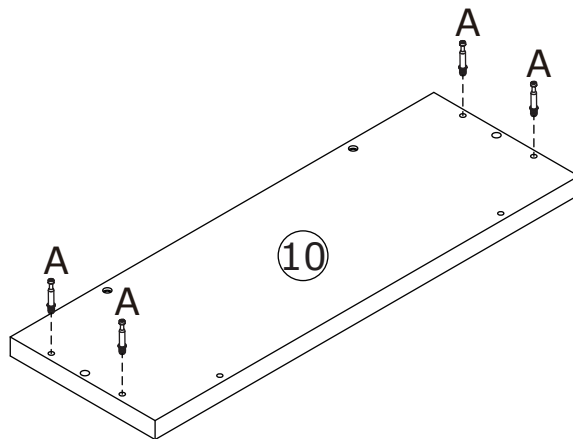
10



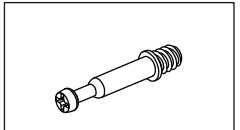
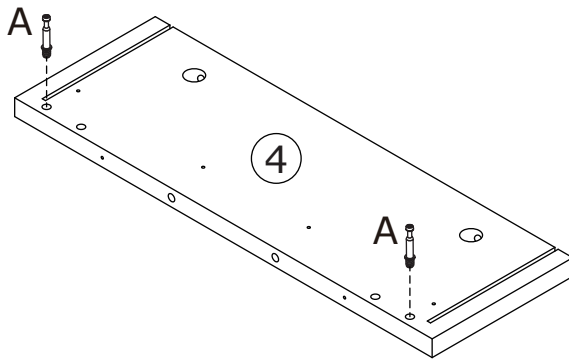
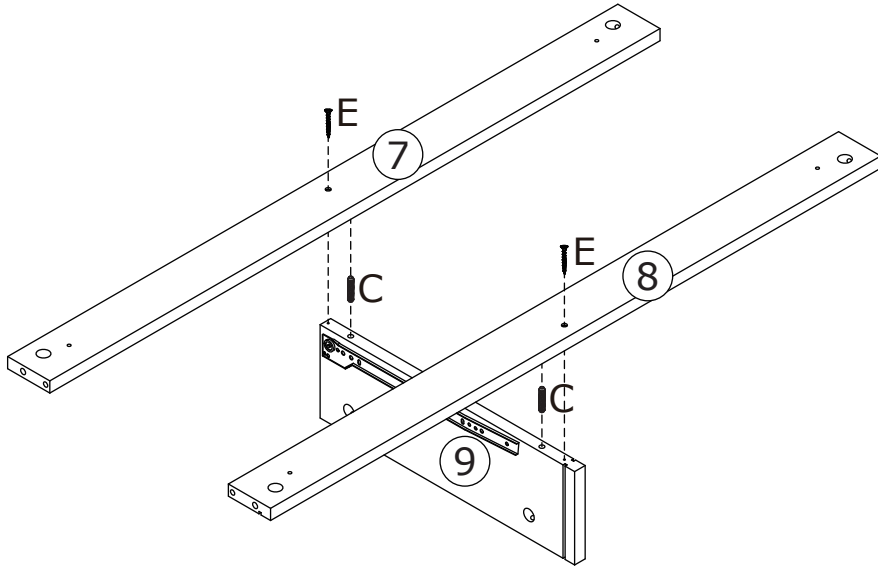
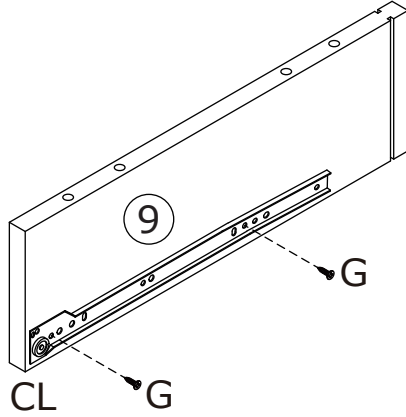
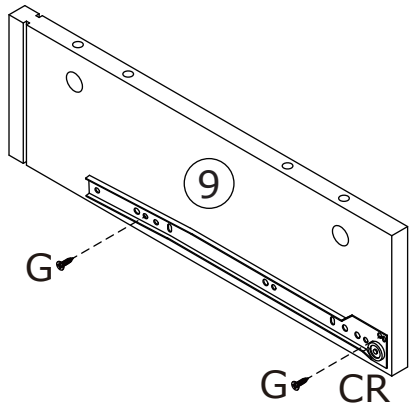
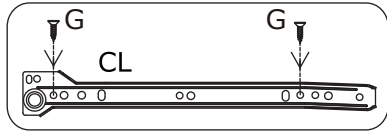
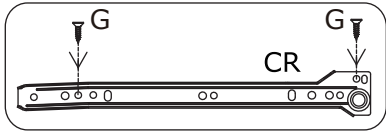
11



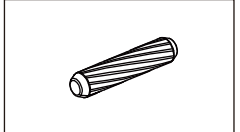
12



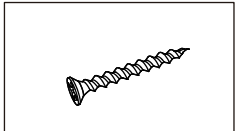
13



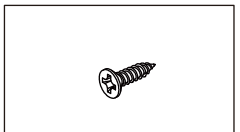
Ax2



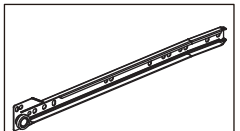
Cx2



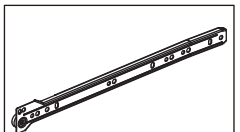
Ex2



Gx4

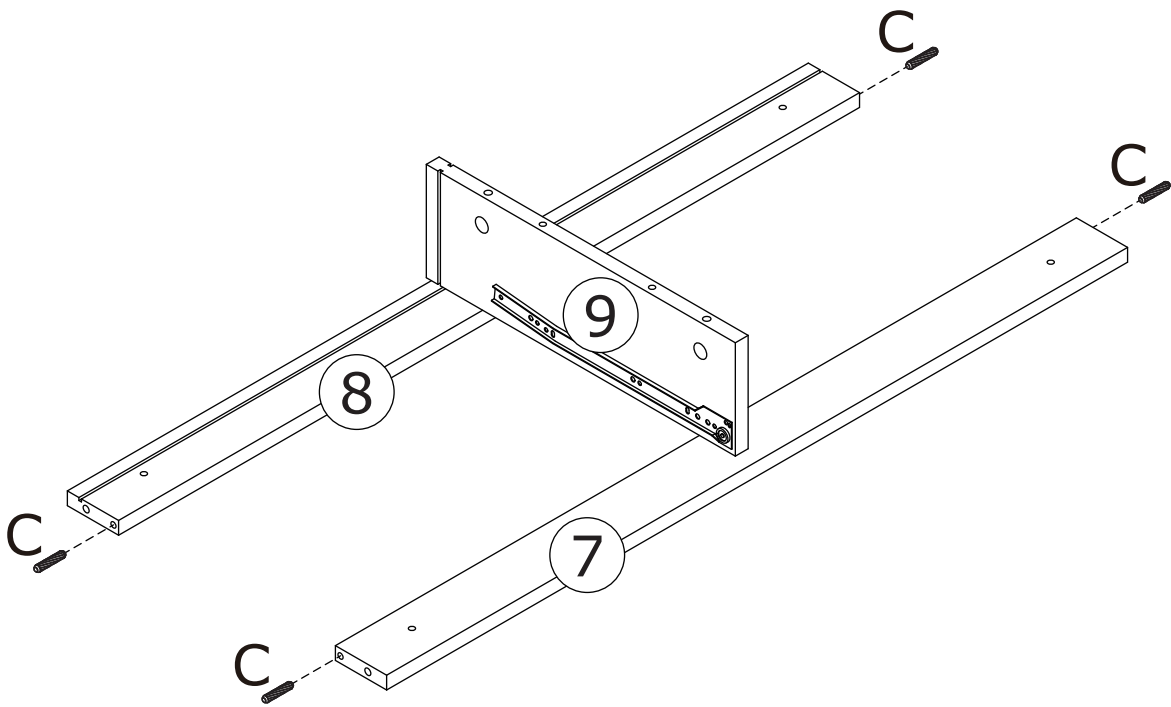
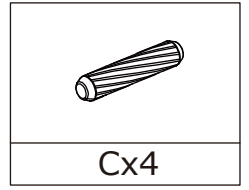


CLx1

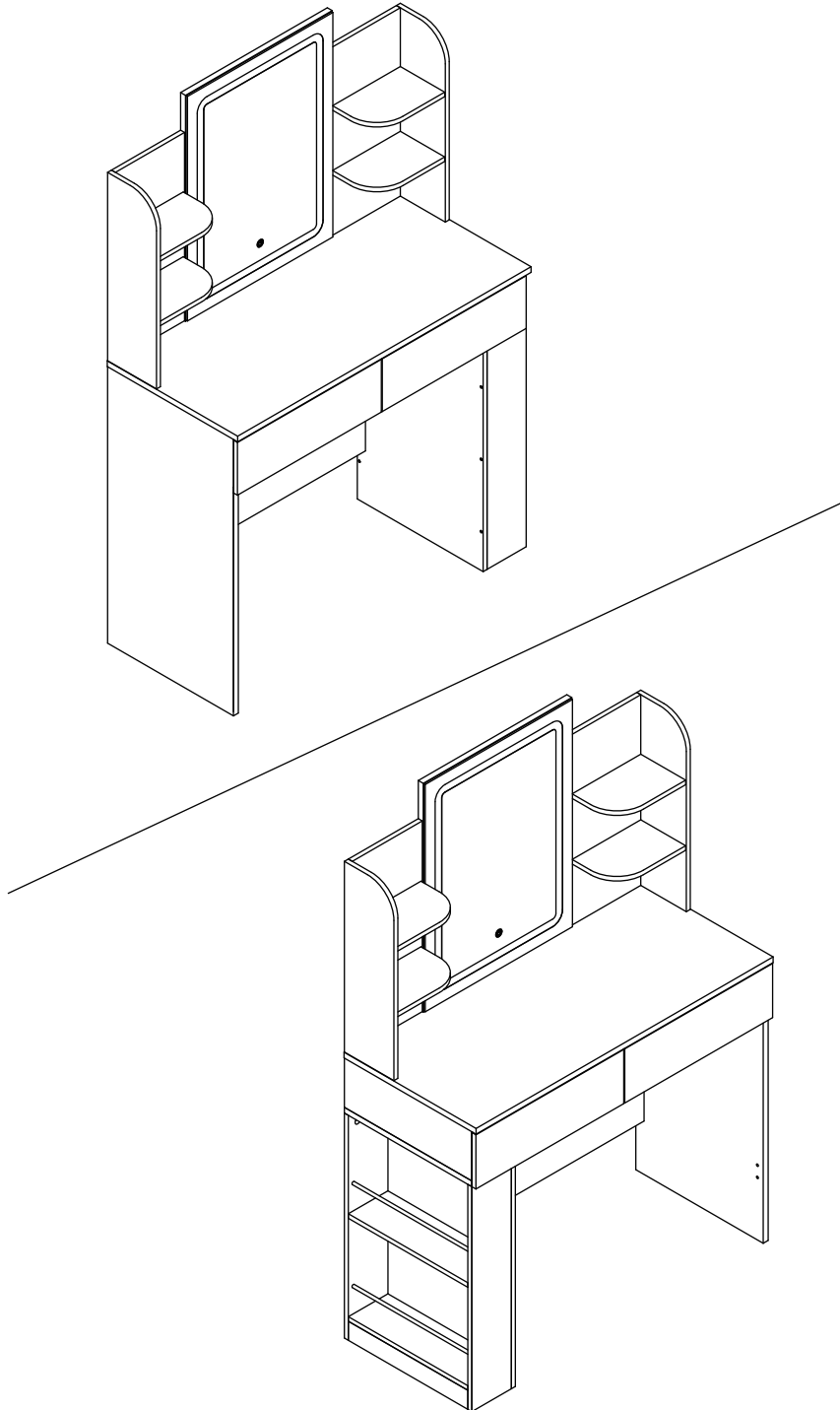


CRx1

14

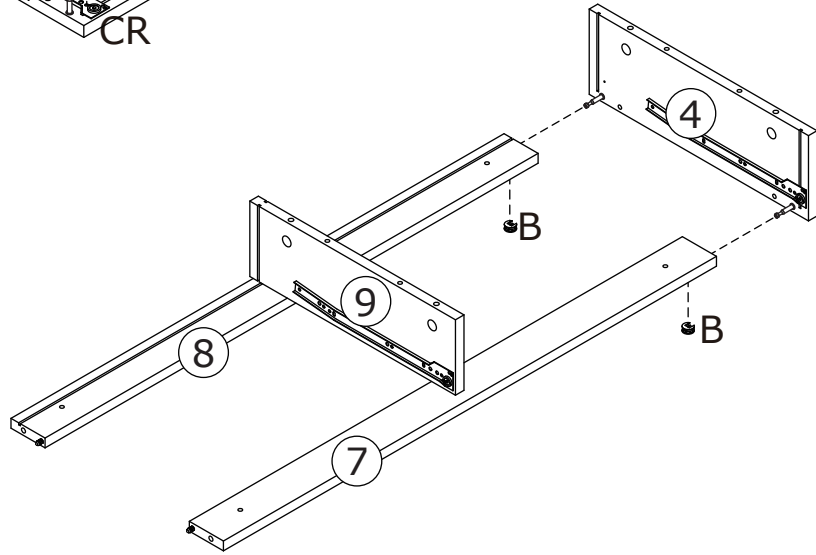
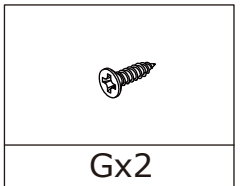
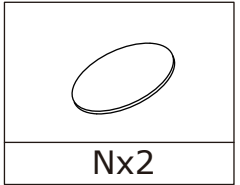
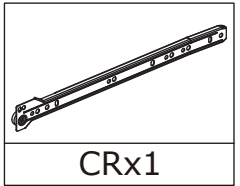
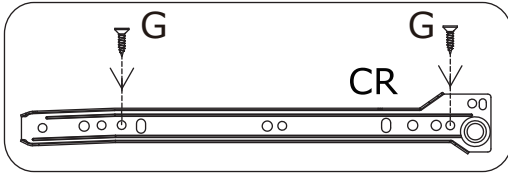
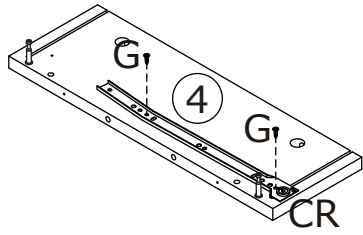
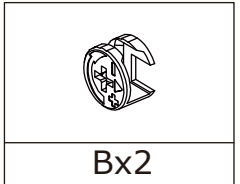
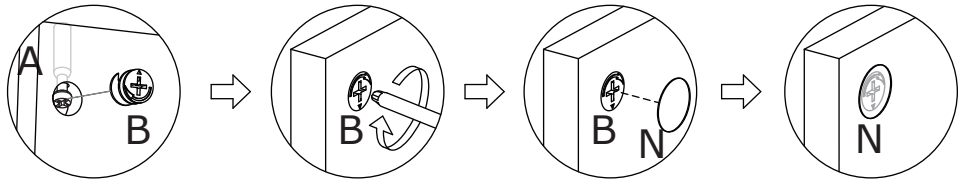


Follow steps (15) ~ (22) to install the shelf on the right side.

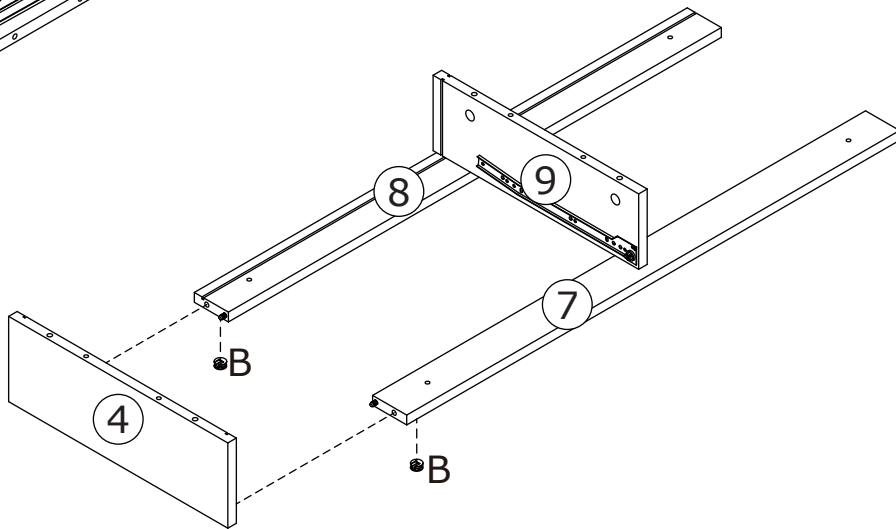
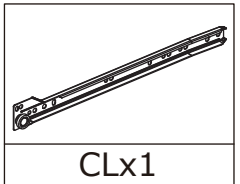
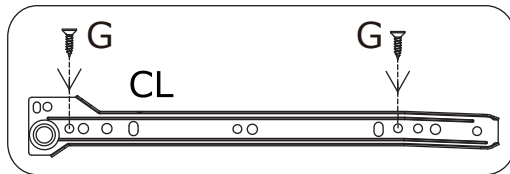
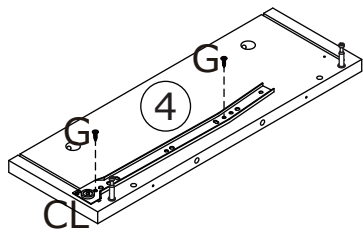


Follow steps (15-1) ~ (22-1) to install the shelf on the left side.

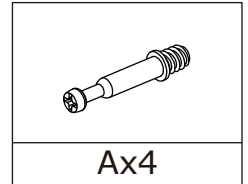
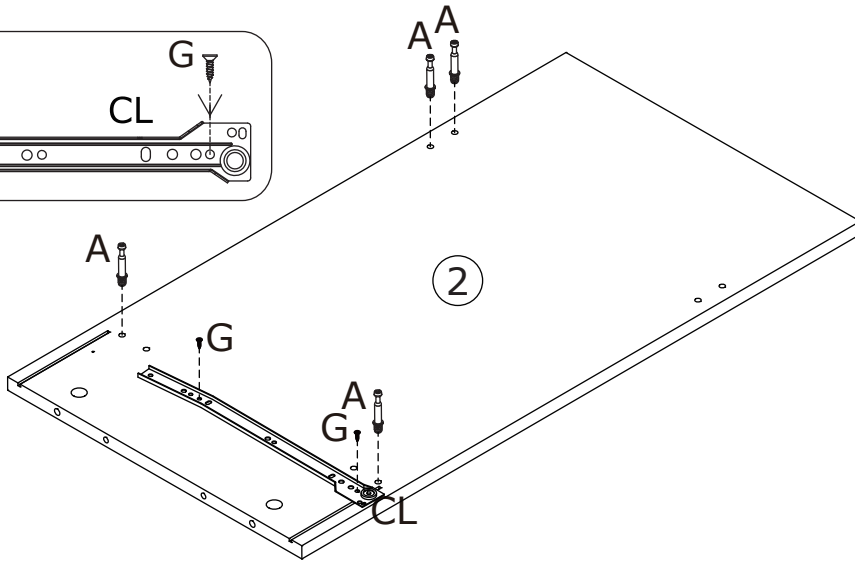
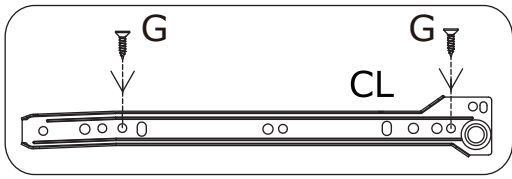
15



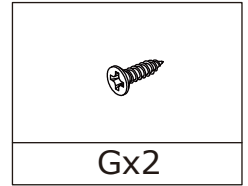
15-1



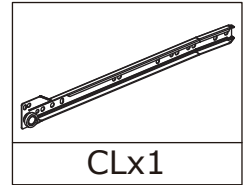
16



Ax4

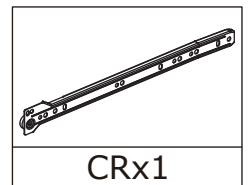
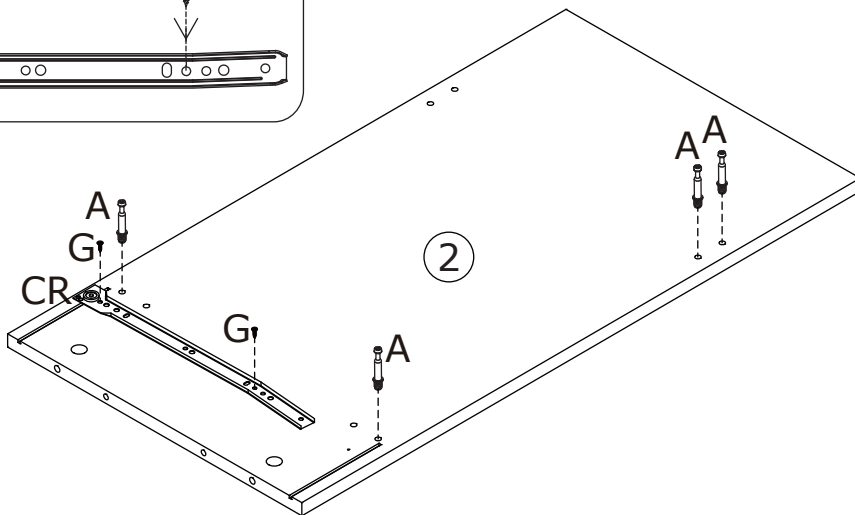
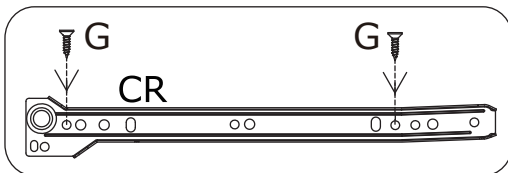


Gx2



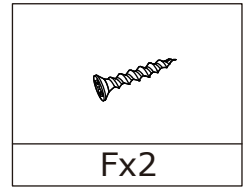
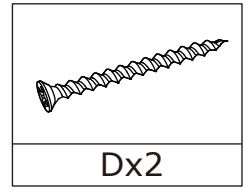
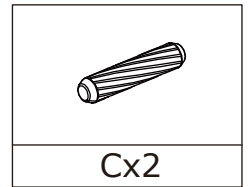
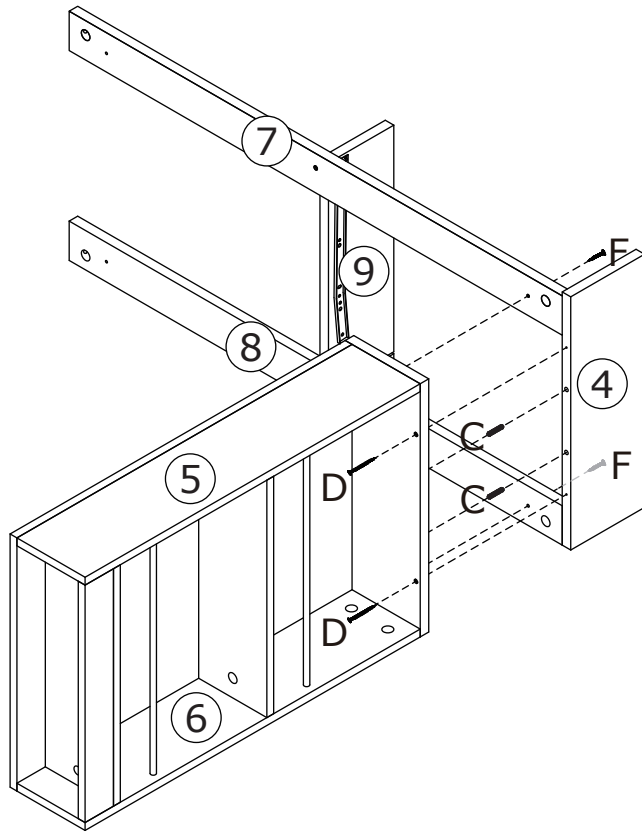
CLx1

16-1

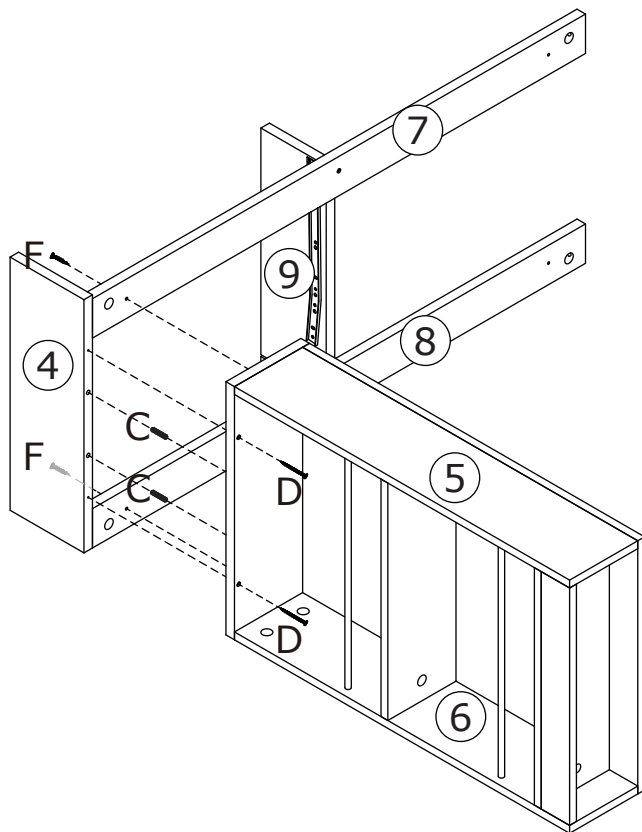


CRx1

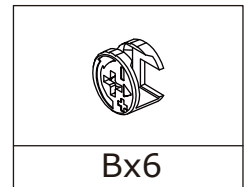
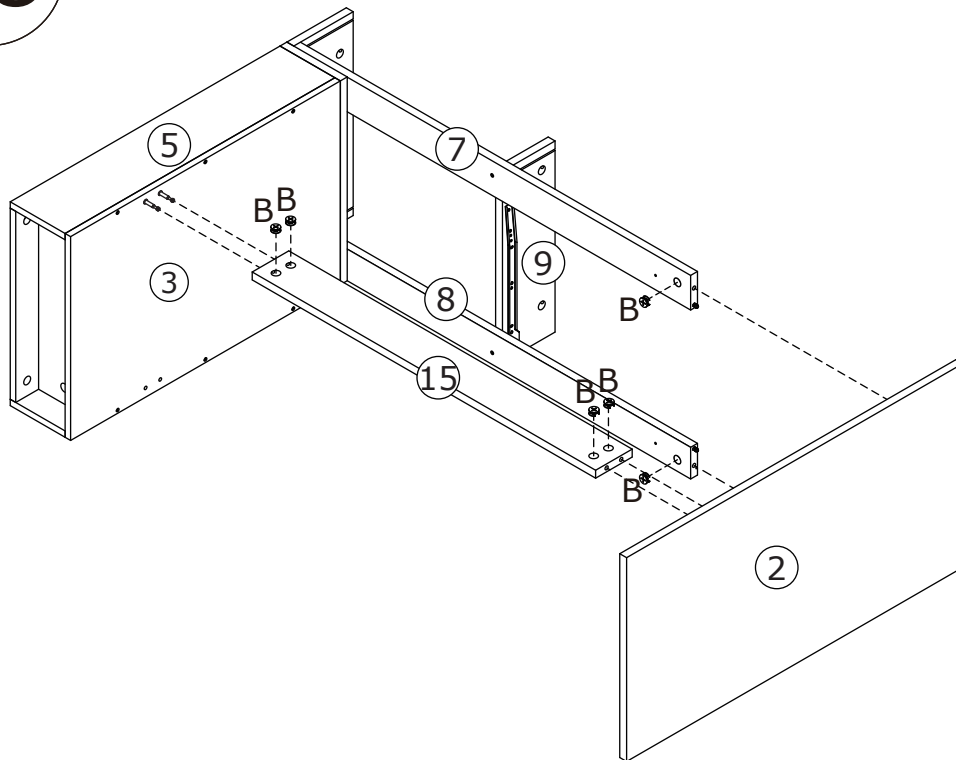
17



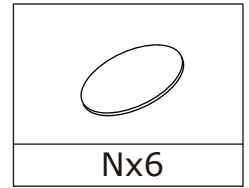
17-1



18

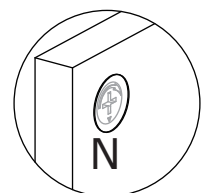
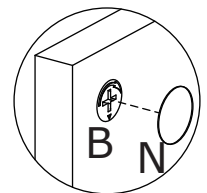
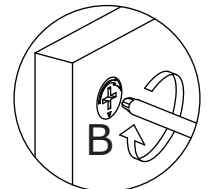
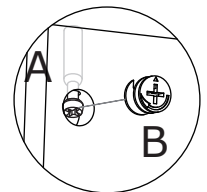
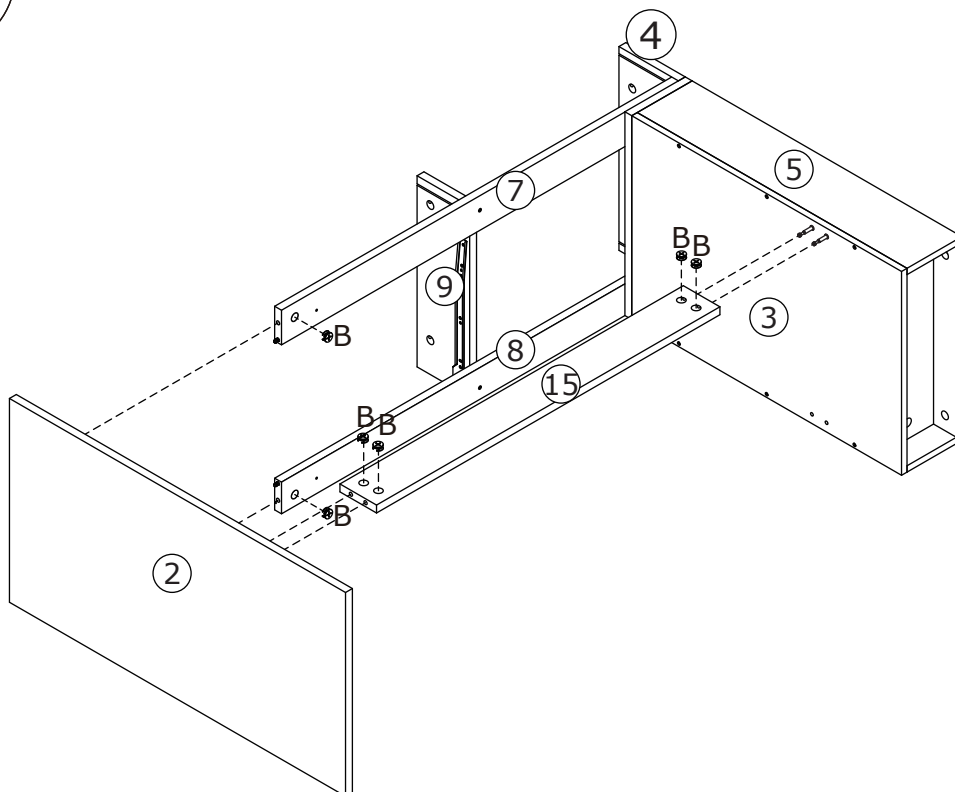


Bx6

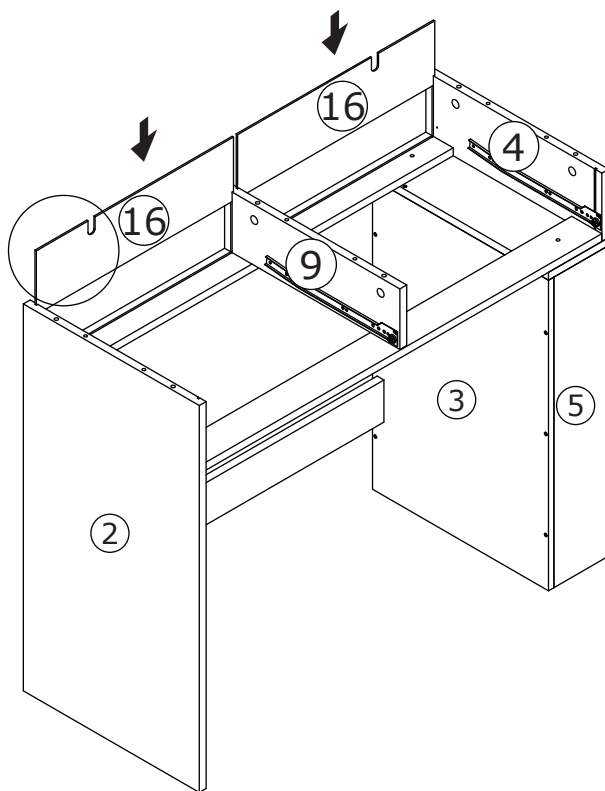
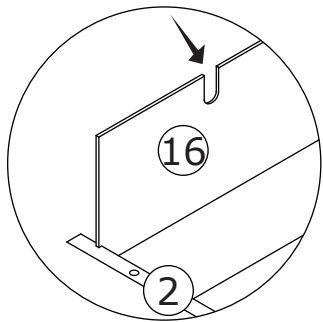


Nx6

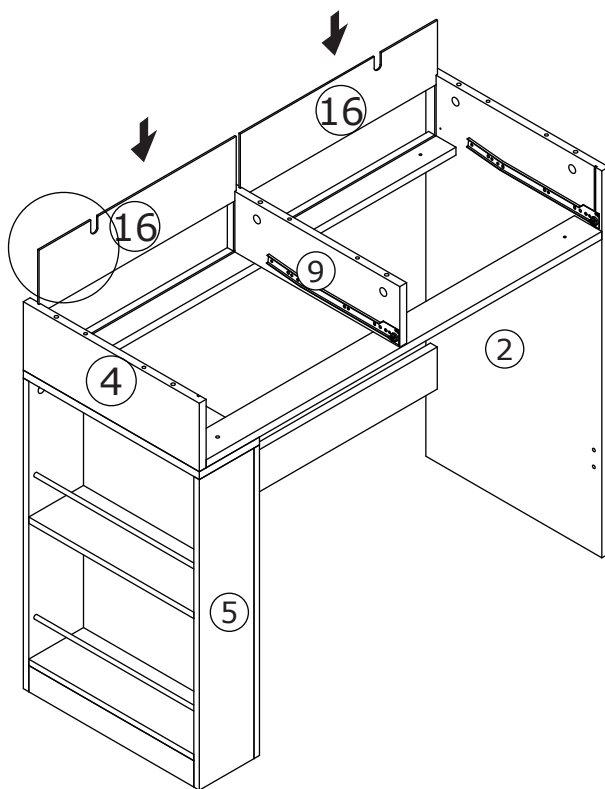
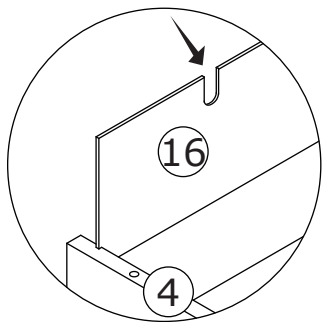
18-1



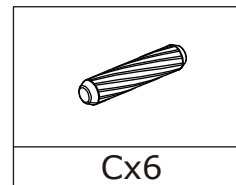
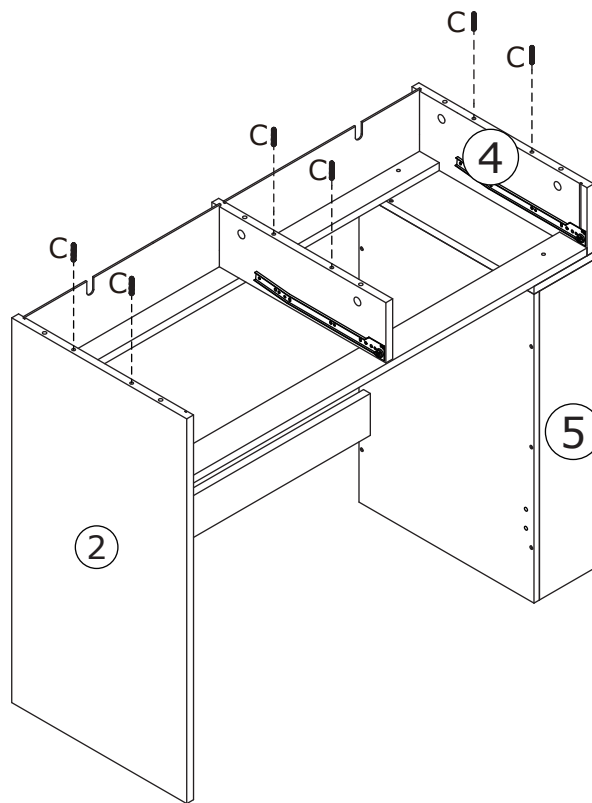
19



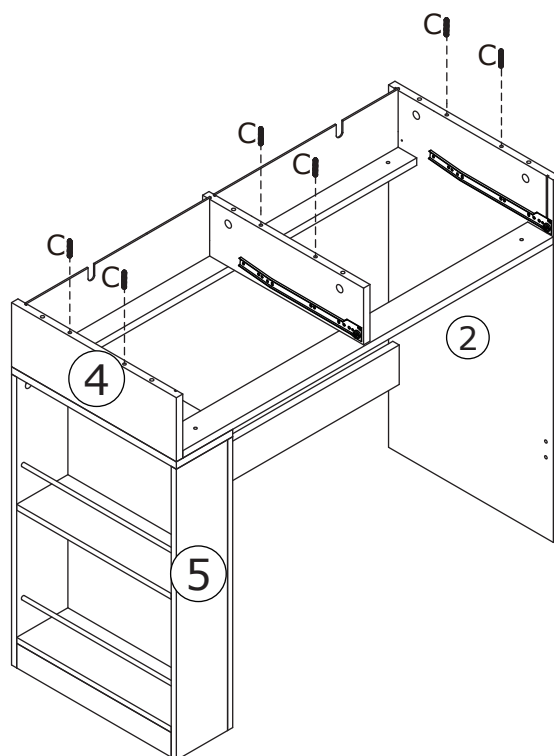
19-1



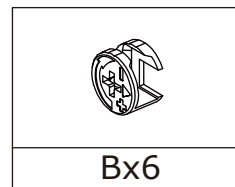
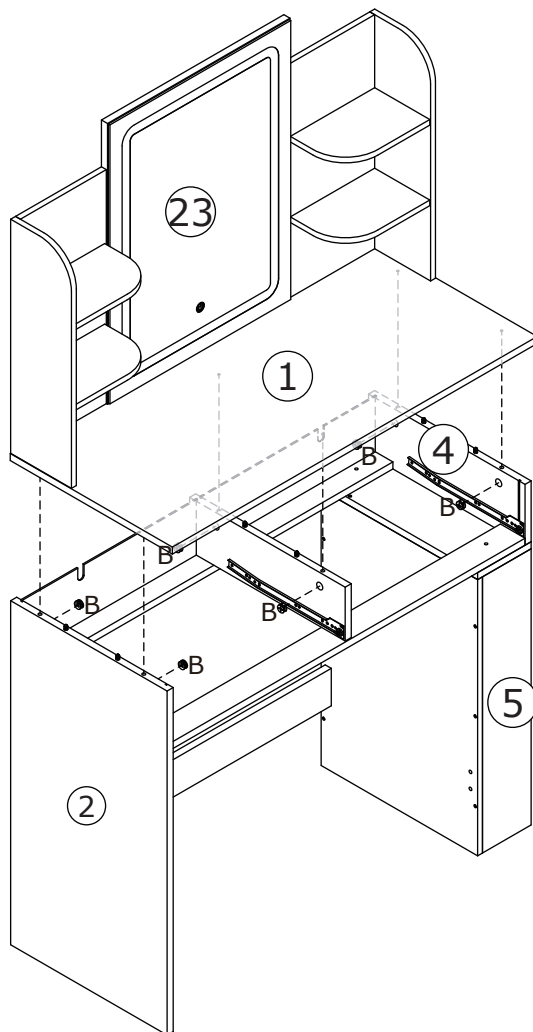
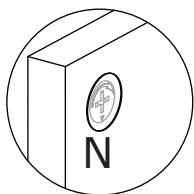
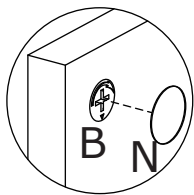
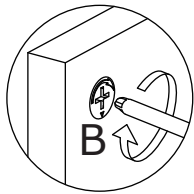
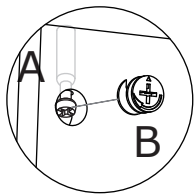
20



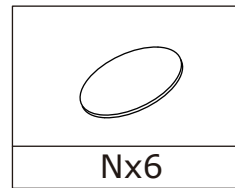
20-1



21

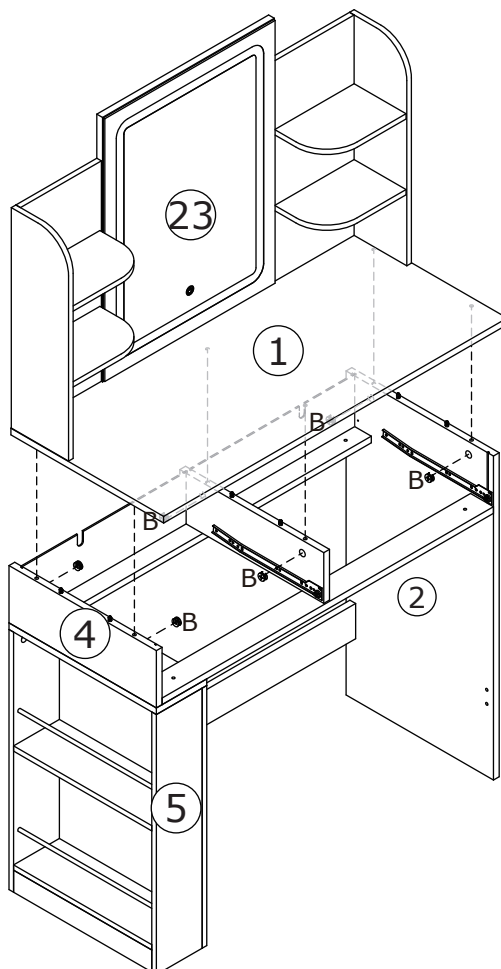


Bx6

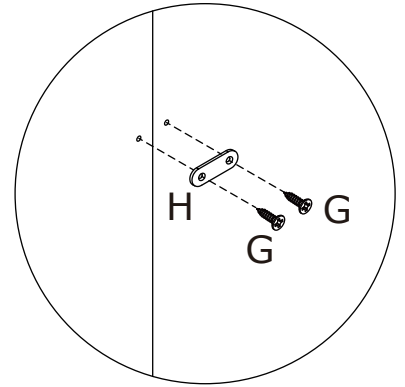
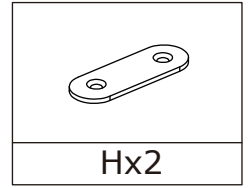
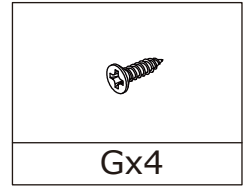
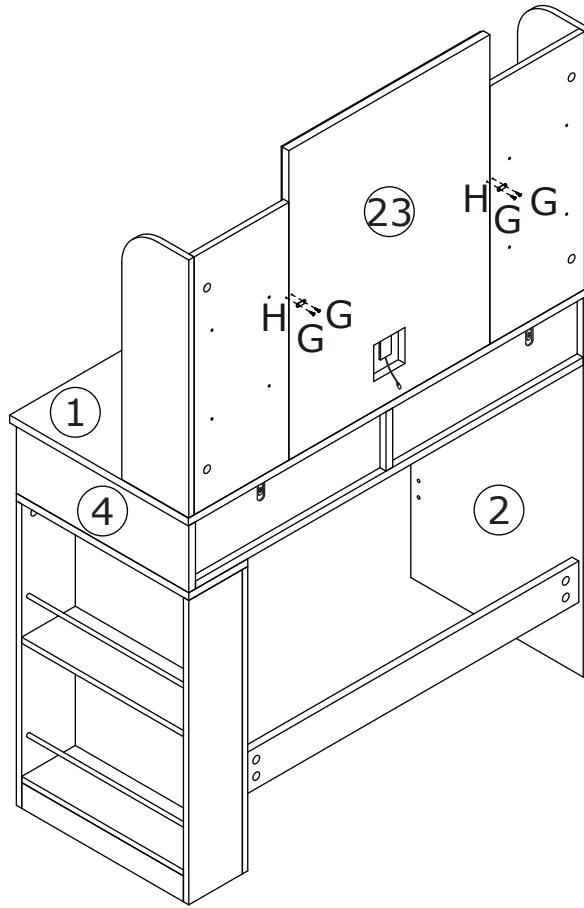


Nx6

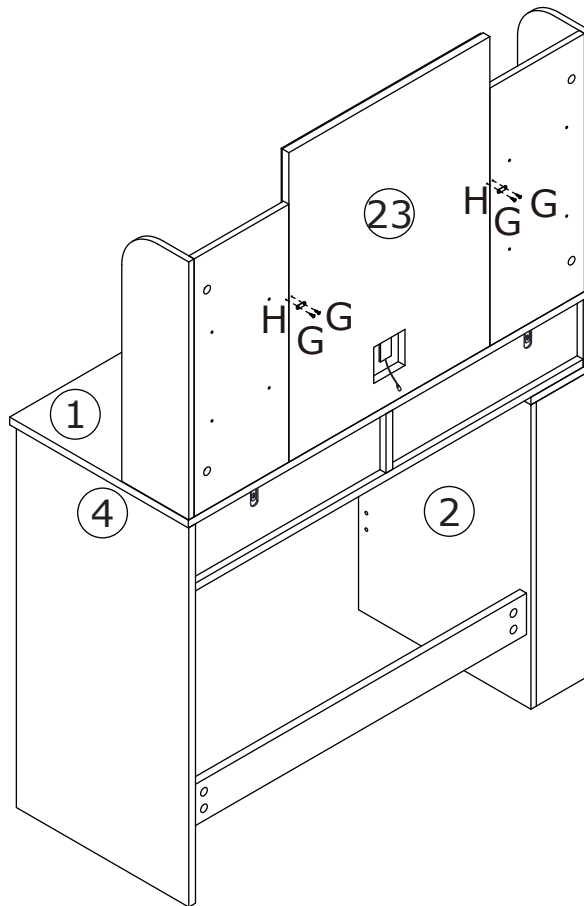
21-1



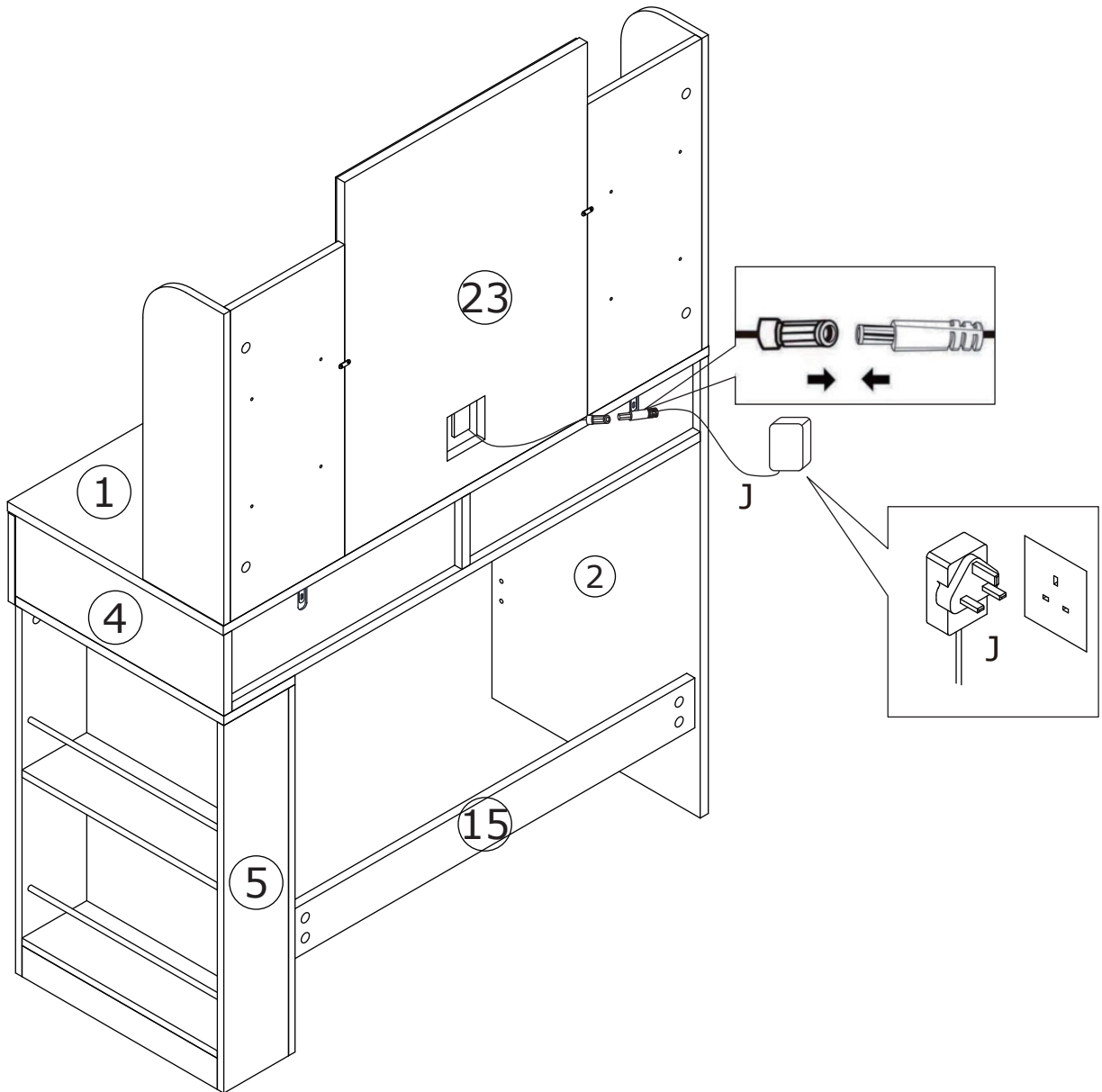
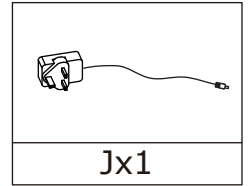
22



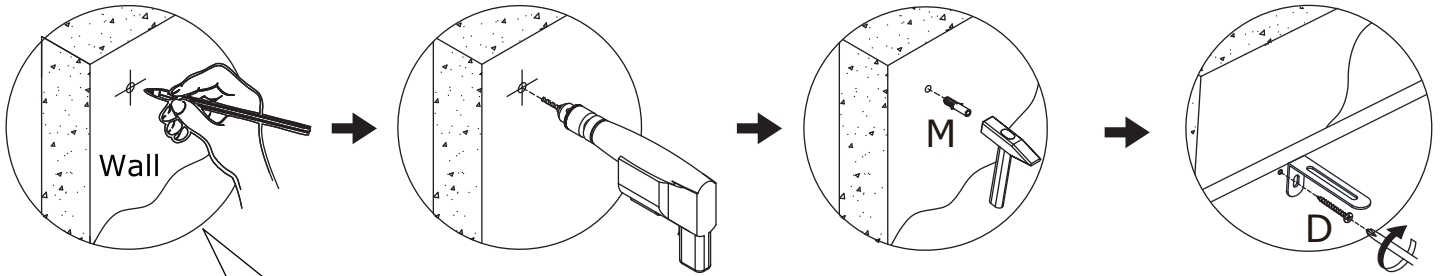
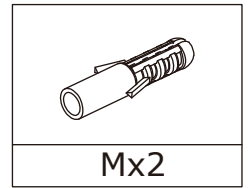
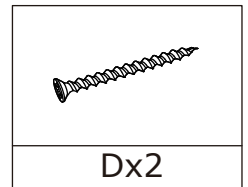
22-1



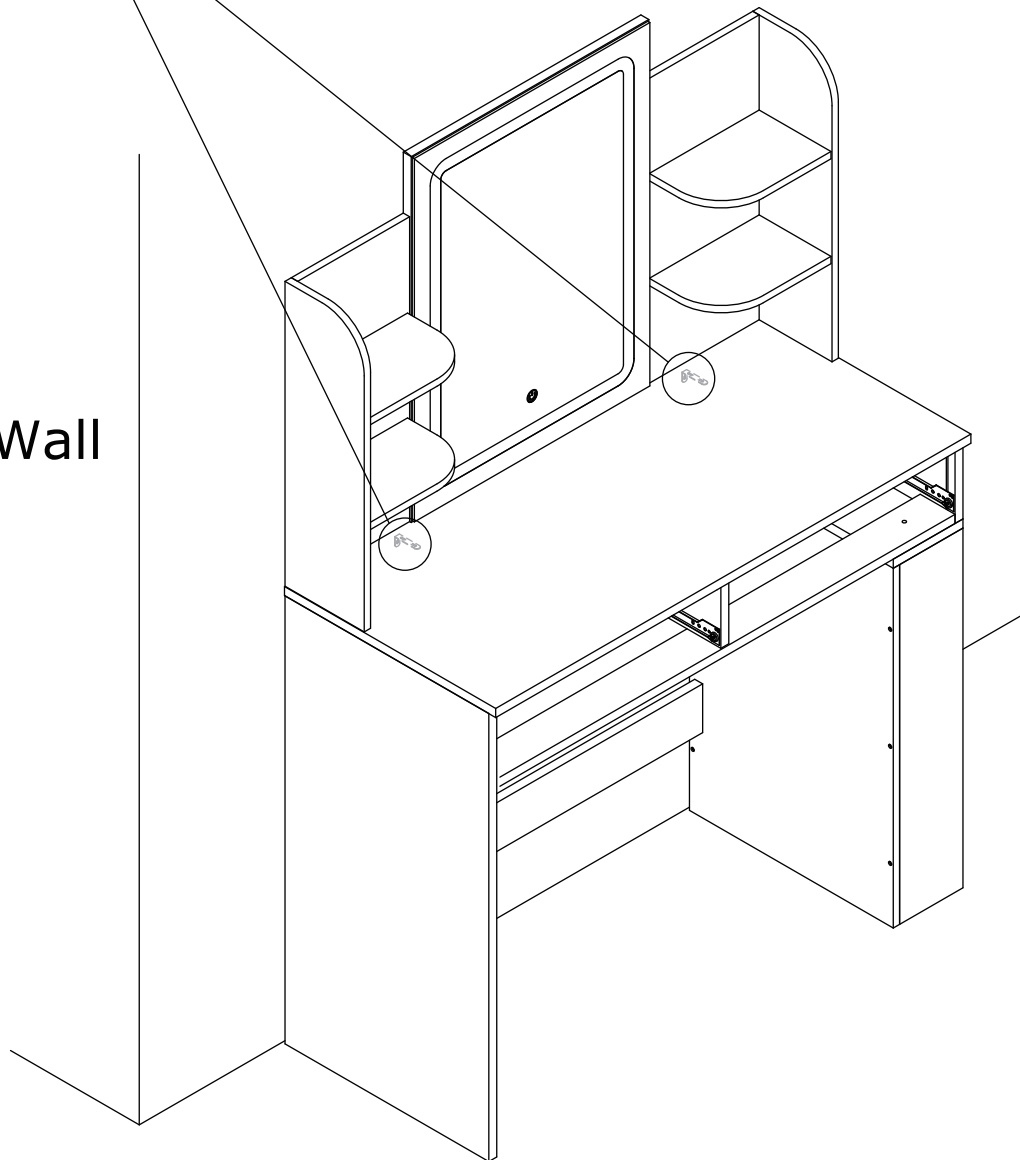
23



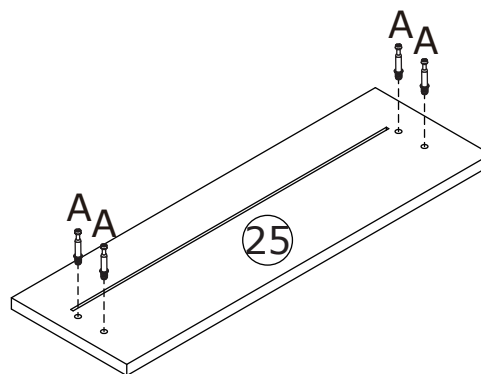
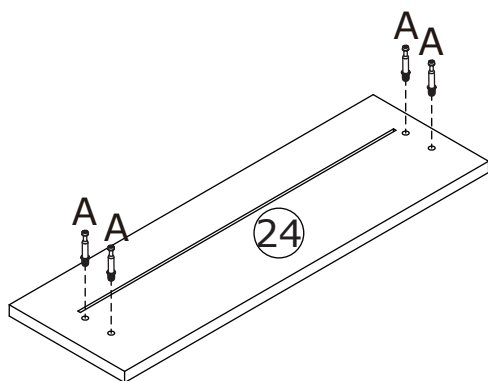
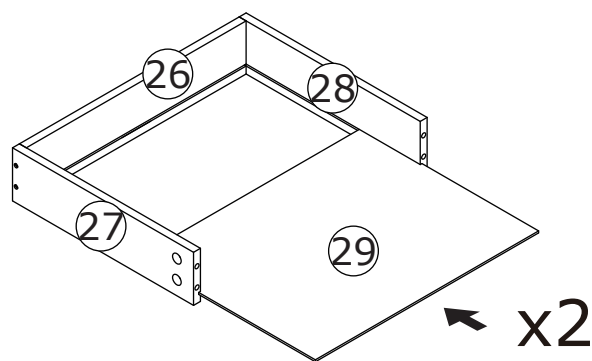
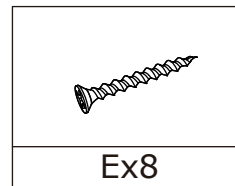
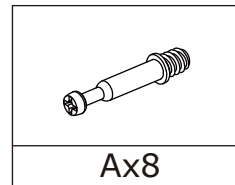
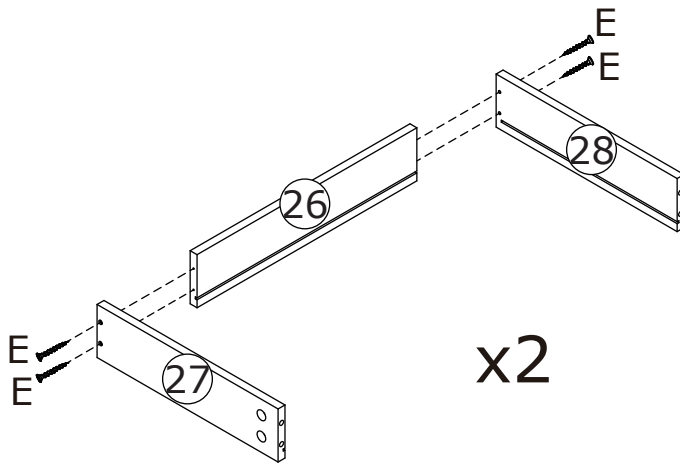
24



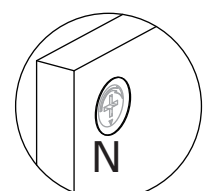
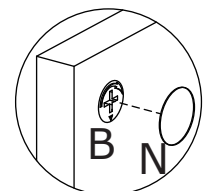
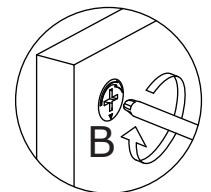
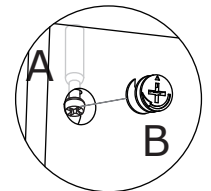
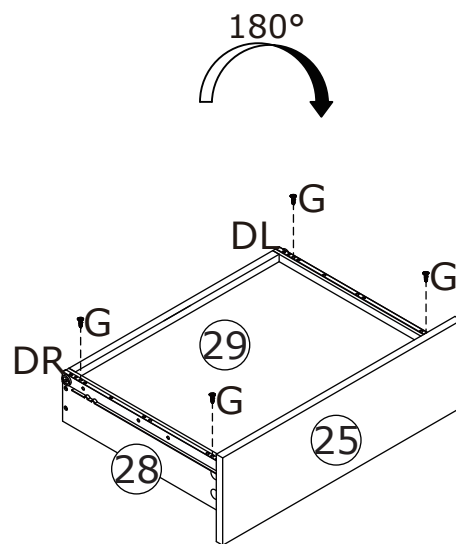
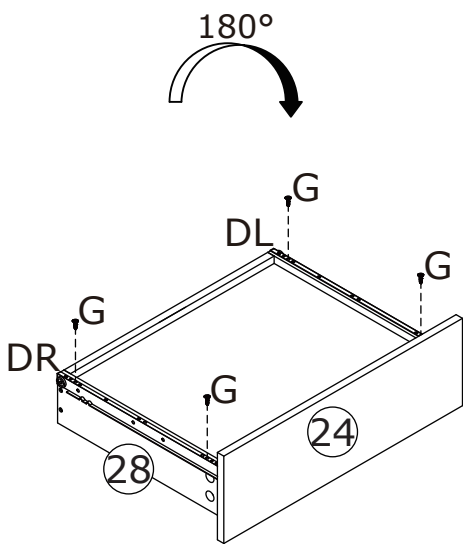
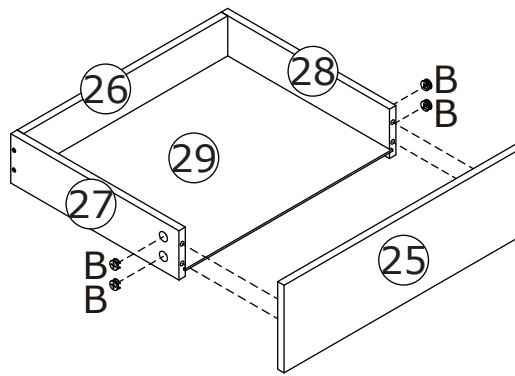
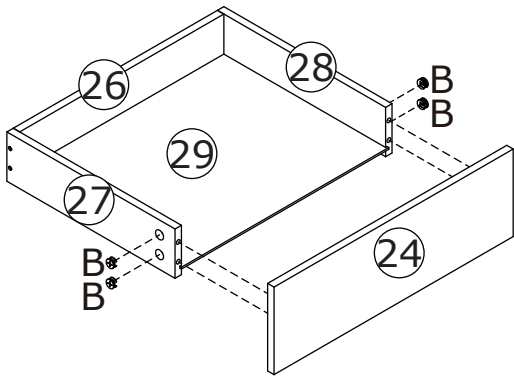
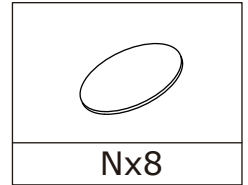
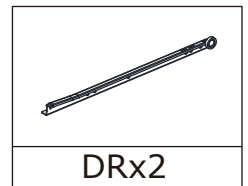
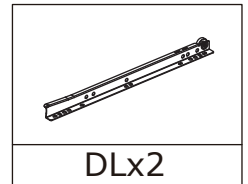
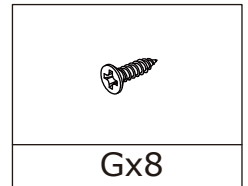
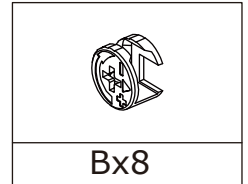
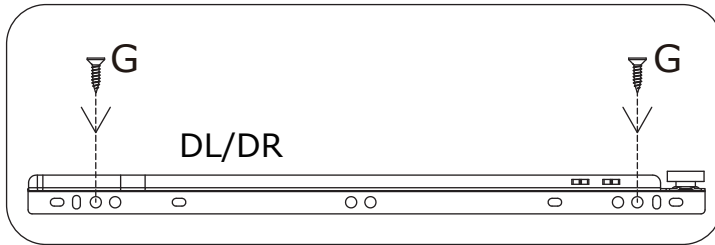
Wall



25



26



27

Wall

