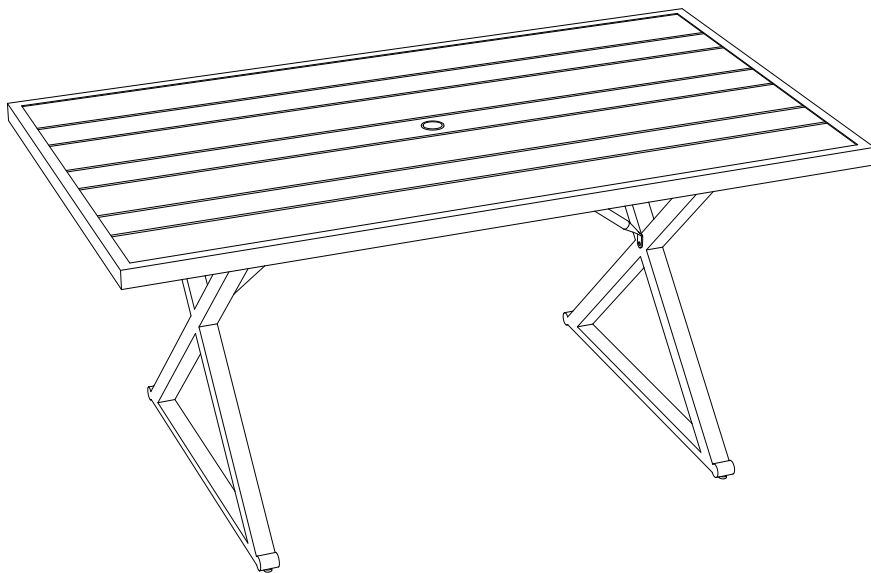


# Dining Table



**Read the instructions before use of this product.**

Please keep this instruction manual for future reference.

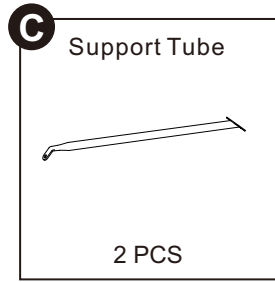
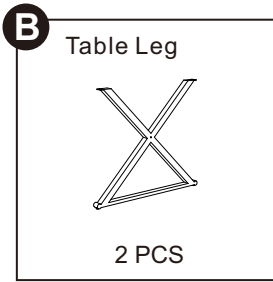
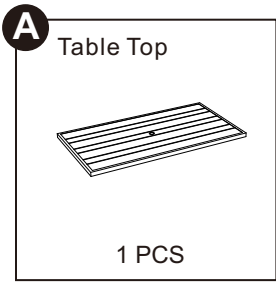
## ! NOTICE

- Please keep children away during assembly. This item contains small parts that can be dangerous for children. Children should always be under direct adult supervision while using this product.
- Do not discard any of the packaging until you have checked that you have all of the parts and fittings required.
- Carefully remove the contents from the package. If any parts are missing, broken, damaged, do not attempt to use the product until they have been obtained.
- Make sure that each bolt needed for all steps matches the corresponding figure ensure proper assembly.
- Please do not exceed the weight limitations of this item.
- Do not stand on or use any part of this item as a step ladder.
- Firmly secure all bolts, screws and knobs before use.
- Be aware that some parts are heavy and have sharp edges.
- Do not use or store this item in the proximity of open flame or flammable/combustible chemicals.

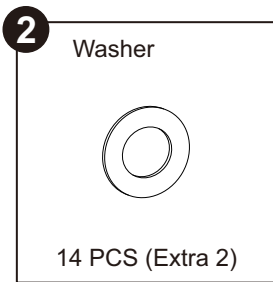
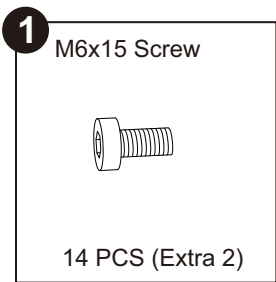
## CLEANING AND MAINTENANCE

- Clean frame with mild soapy water, rinse thoroughly. Dry frame parts completely. Do not use bleach, acid, or other solvents on the fabric and metal parts.
- If outdoor furniture is caught during a sudden rain storm, please make sure to drain any water that may have accumulated inside the frame and dry completely.
- We recommend the use of furniture covers to protect when not in use, and store properly during inclement weather and the winter/rainy seasons.
- Inspect and tighten all bolts on a regular basis to ensure proper performance and safety.
- In order to prolong the life and beauty of your outdoor furniture, we recommend storing it in a dry and protective area during off season periods.

## PARTS



## HARDWARE



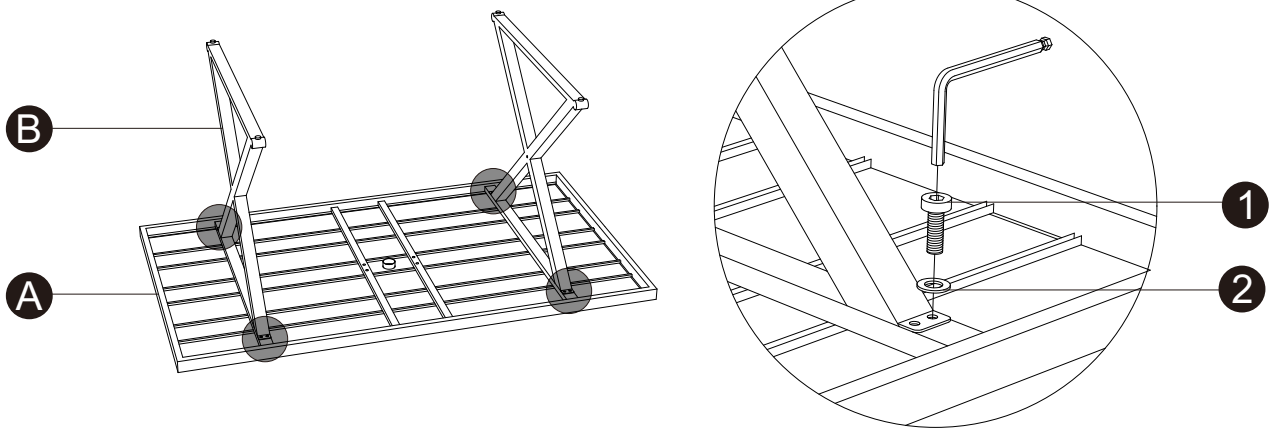
## TOOLS REQUIRED



Allen Wrench  
1PC

## PRODUCT ASSEMBLY

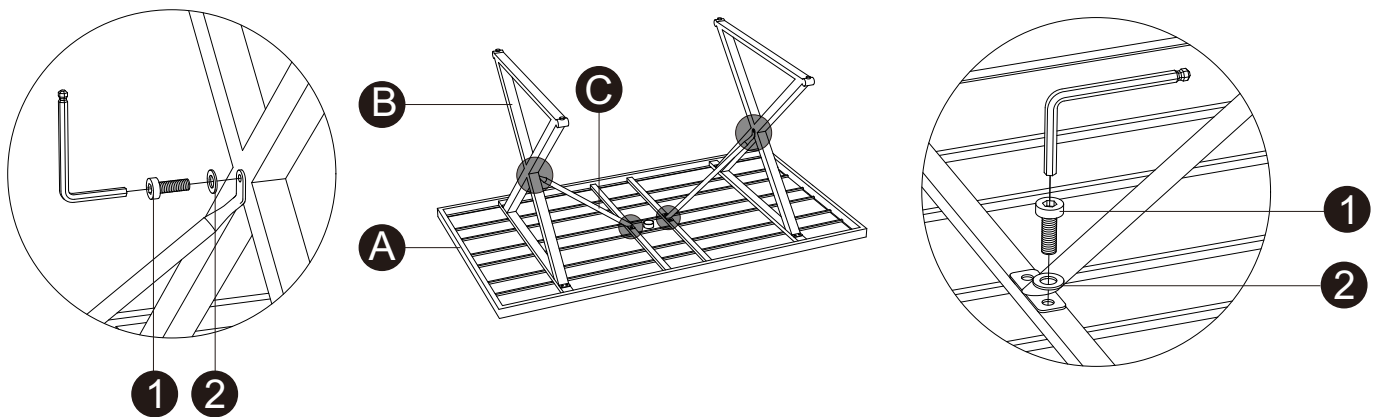
### 1



Attach table legs (B) to table top (A) using screws (1), washers (2) and allen wrench.

NOTE: Please do not fully tighten bolts until unit is fully assembled.

### 2

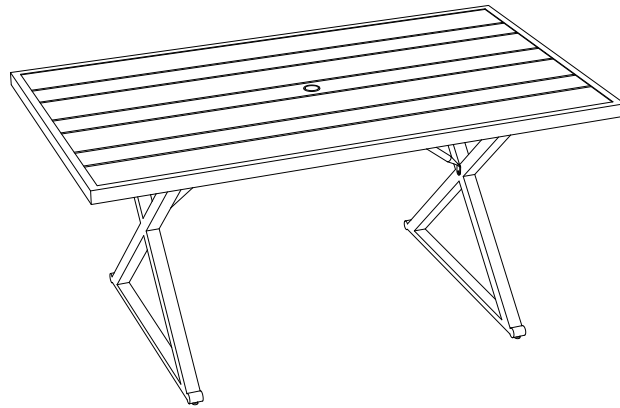


Attach support tube (C) to table legs (B) and table top (A) using screws (1), washers (2) and allen wrench.

NOTE: Please fully tighten all bolts at this time.

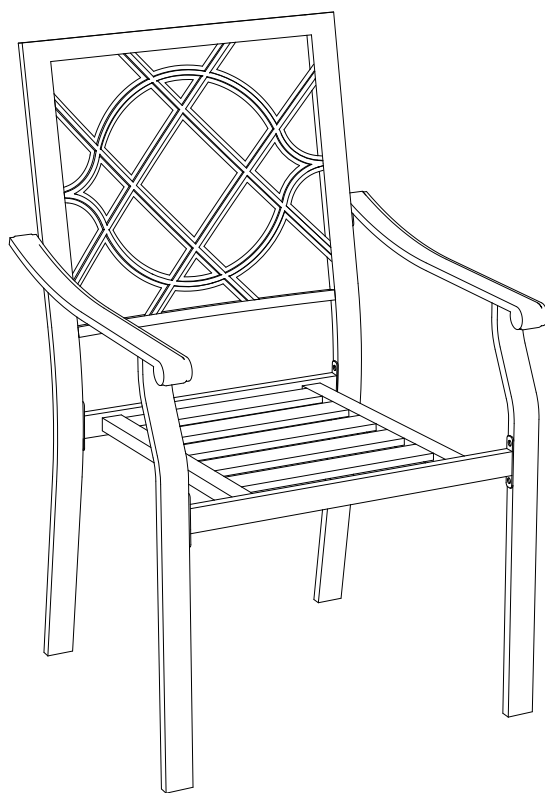
## PRODUCT ASSEMBLY

**3**



Carefully turn unit upright.

# Patio Swivel Stools



**Read the instructions before use of this product.**

Please keep this instruction manual for future reference.

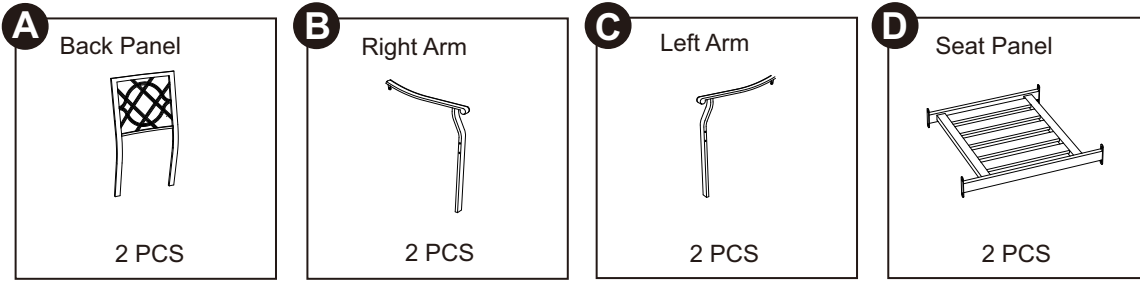
## ! NOTICE

- Please keep children away during assembly. This item contains small parts that can be dangerous for children. Children should always be under direct adult supervision while using this product.
- Do not discard any of the packaging until you have checked that you have all of the parts and fittings required.
- Carefully remove the contents from the package. If any parts are missing, broken, damaged, do not attempt to use the product until they have been obtained.
- Make sure that each bolt needed for all steps matches the corresponding figure ensure proper assembly.
- Please do not exceed the weight limitations of this item.
- Do not stand on or use any part of this item as a step ladder.
- Firmly secure all bolts, screws and knobs before use.
- Be aware that some parts are heavy and have sharp edges.
- Do not use or store this item in the proximity of open flame or flammable/combustible chemicals.

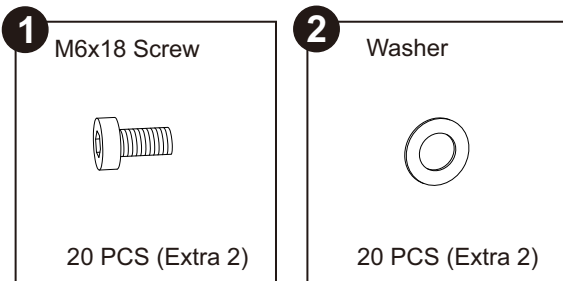
## CLEANING AND MAINTENANCE

- Clean frame with mild soapy water, rinse thoroughly. Dry frame parts completely. Do not use bleach, acid, or other solvents on the fabric and metal parts.
- If outdoor furniture is caught during a sudden rain storm, please make sure to drain any water that may have accumulated inside the frame and dry completely.
- We recommend the use of furniture covers to protect when not in use, and store properly during inclement weather and the winter/rainy seasons.
- Inspect and tighten all bolts on a regular basis to ensure proper performance and safety.
- In order to prolong the life and beauty of your outdoor furniture, we recommend storing it in a dry and protective area during off season periods.

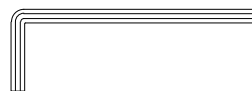
## PARTS



## HARDWARE



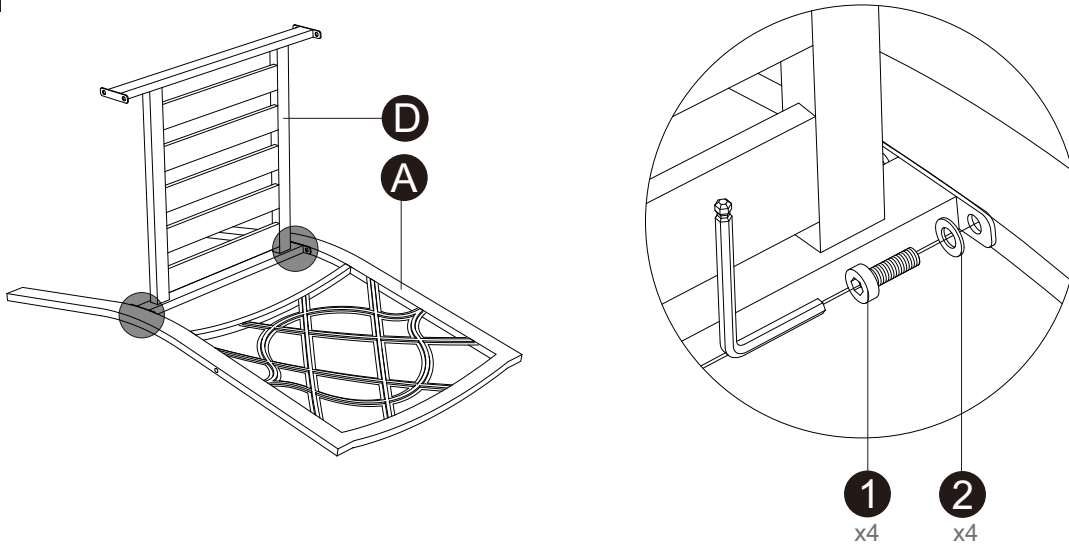
## TOOLS REQUIRED



Allen Wrench  
1PC

## PRODUCT ASSEMBLY

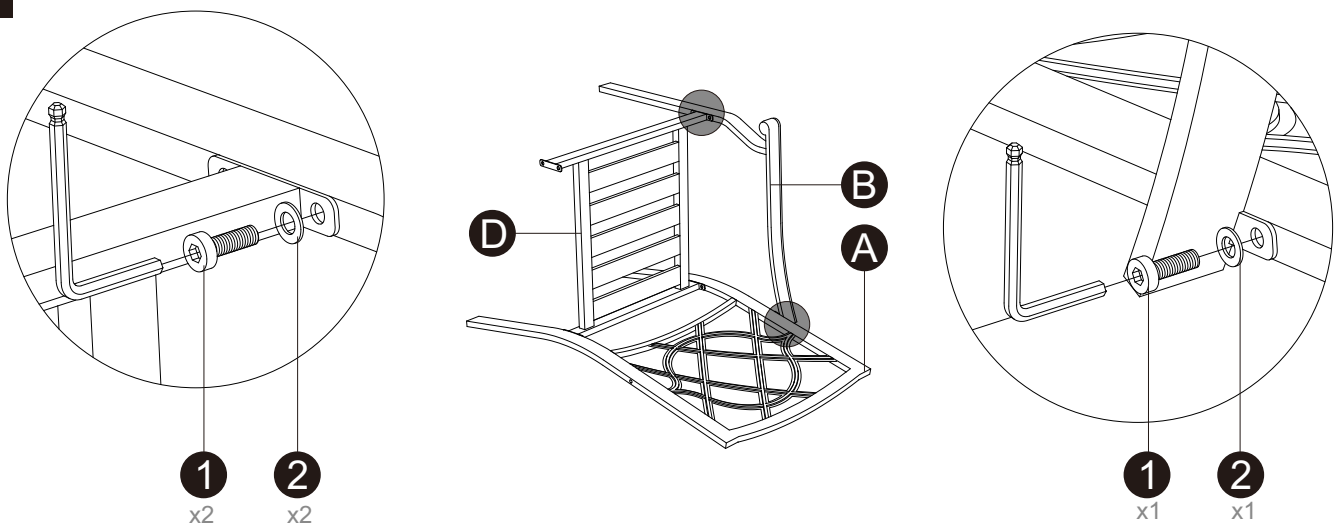
1



Attach seat panel (D) to back panel (A) using screws (1), washers (2) and allen wrench.

NOTE: Please do not fully tighten bolts until unit is fully assembled.

2

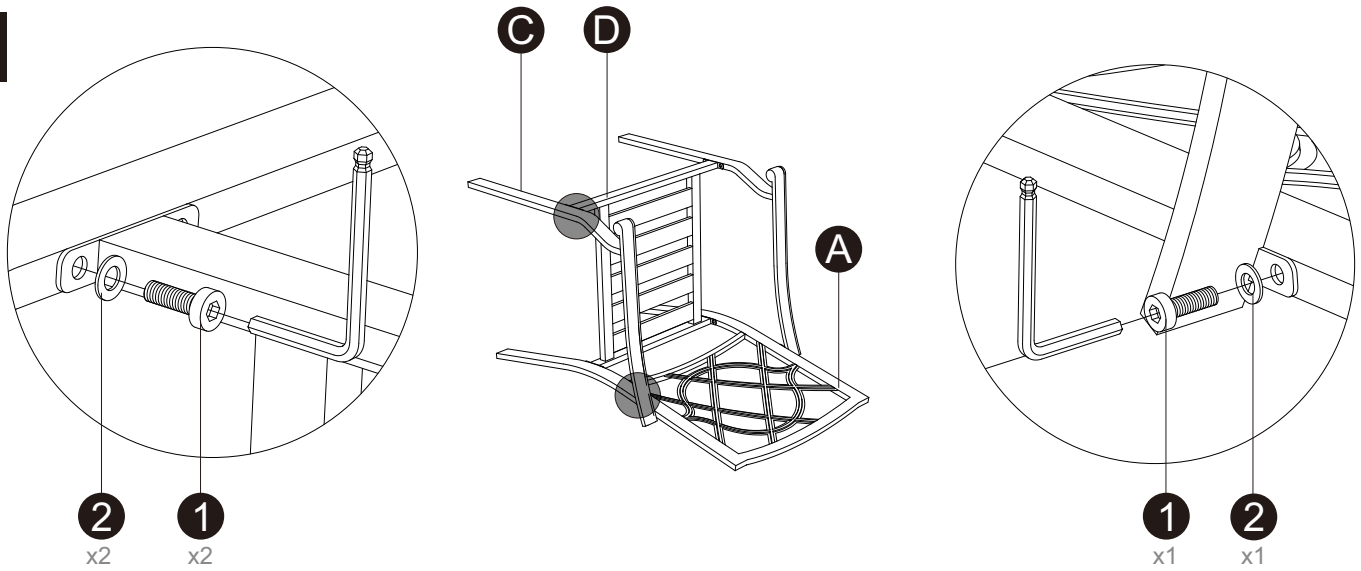


Attach right arm (B) to seat panel (D) and back panel (A) using screws (1), washers (2) and allen wrench.

NOTE: Please do not fully tighten bolts until unit is fully assembled.

## PRODUCT ASSEMBLY

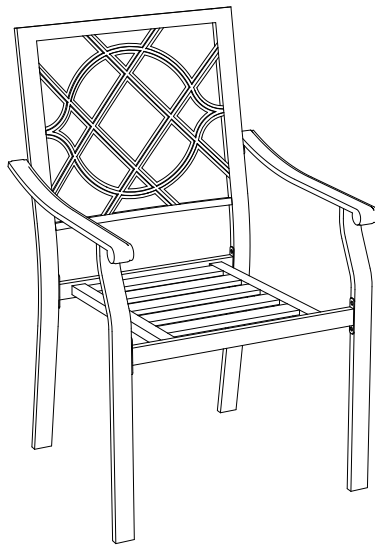
3



Attach left arm (C) to seat panel (D) and back panel (B) using screws (1), washers (2) and allen wrench.

NOTE: Please fully tighten all bolts at this time.

4



Carefully turn unit upright.

Repeat steps 1-4 to assemble remaining chair.