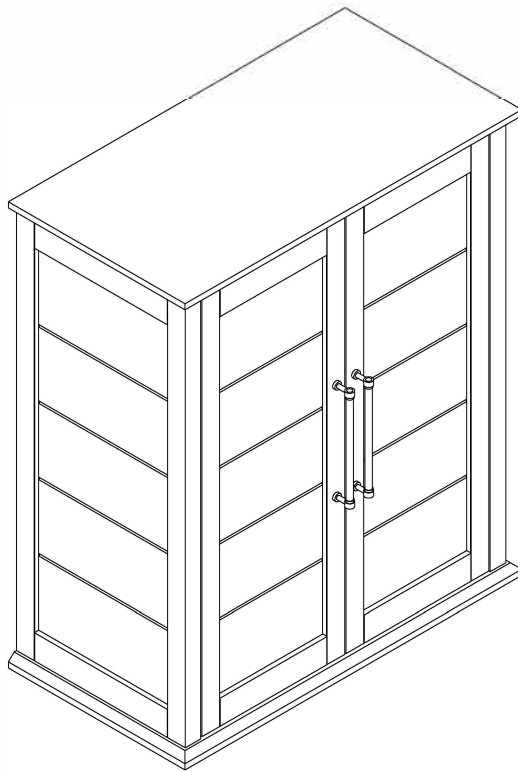
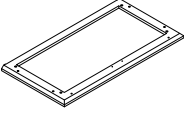
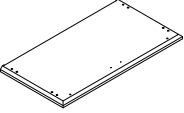
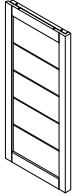
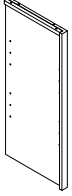
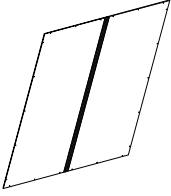
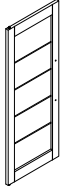
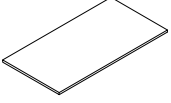


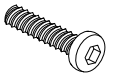
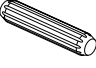
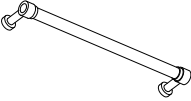

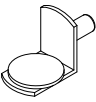
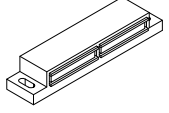


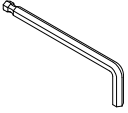
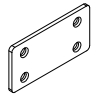

Stackable Pantry



PART LIST

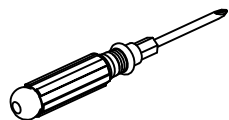
A 	B 	C 	D 	E 
Top Panel 1 PC	Bottom Panel 1 PC	Left Panel 1 PC	Right Panel 1 PC	Back Panel 1 PC
F 	G 			
Door Panel 2 PCS	Adjustable Shelf 2 PCS			

HARDWARE LIST

<p>#1</p>  <p>Ø1/4"x1-1/8"</p>	<p>#2</p>  <p>Ø8*30mm</p>	<p>#3</p>  <p>Handle 2 PCS</p>	<p>#4</p>  <p>Ø5/32"x3/4"</p>	<p>#5</p>  <p>Shelf Holder 8 PCS (Extra 1)</p>
<p>#6</p>  <p>Double Magnet 2 PCS</p>	<p>#7</p>  <p>Ø3 x15mm Screw 12 PCS (Extra 2)</p>	<p>#8</p>  <p>Ø3 x10mm Short Screw 22 PCS (Extra 2)</p>	<p>#9</p>  <p>Allen Wrench 1 PC</p>	<p>#10</p>  <p>Connecting Bar 2 PCS</p>
<p>#11</p>  <p>Safety Strap Kit 1 SET</p>				

ADDITIONAL TOOLS (Not Provided)

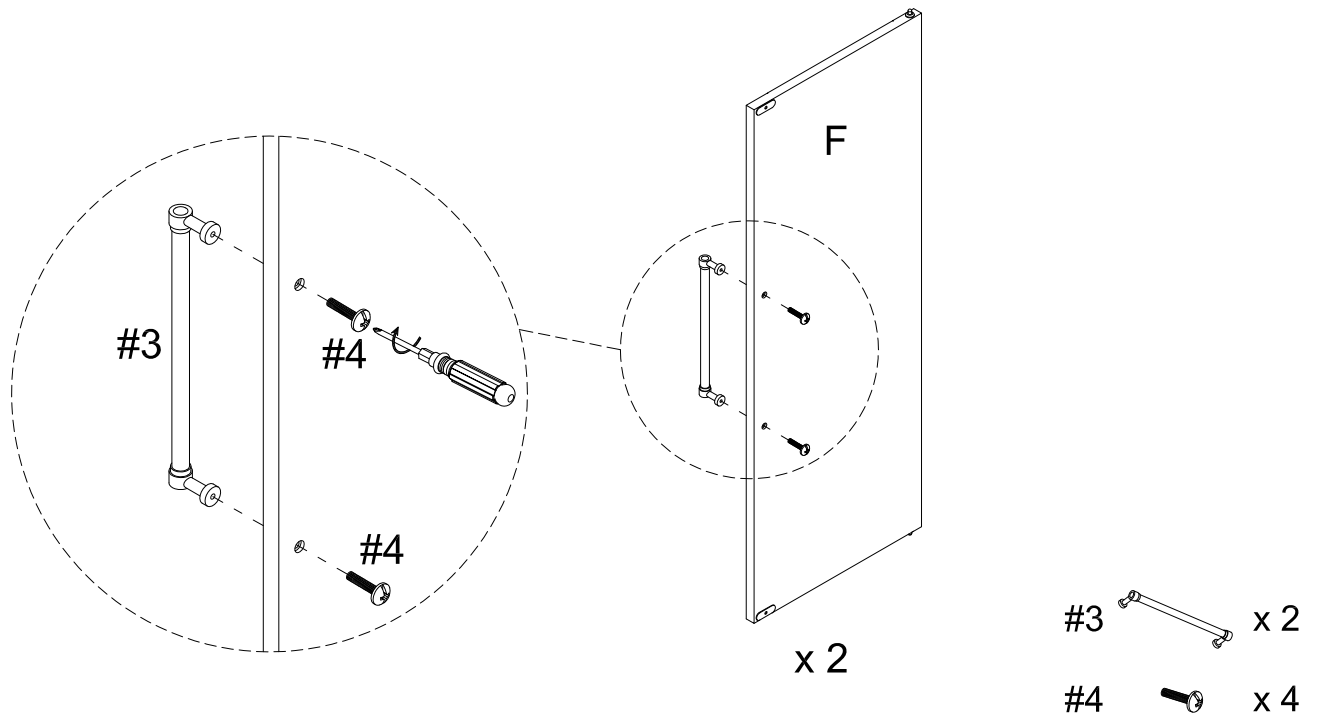
Note: It is not recommended to use power tools during assembly.



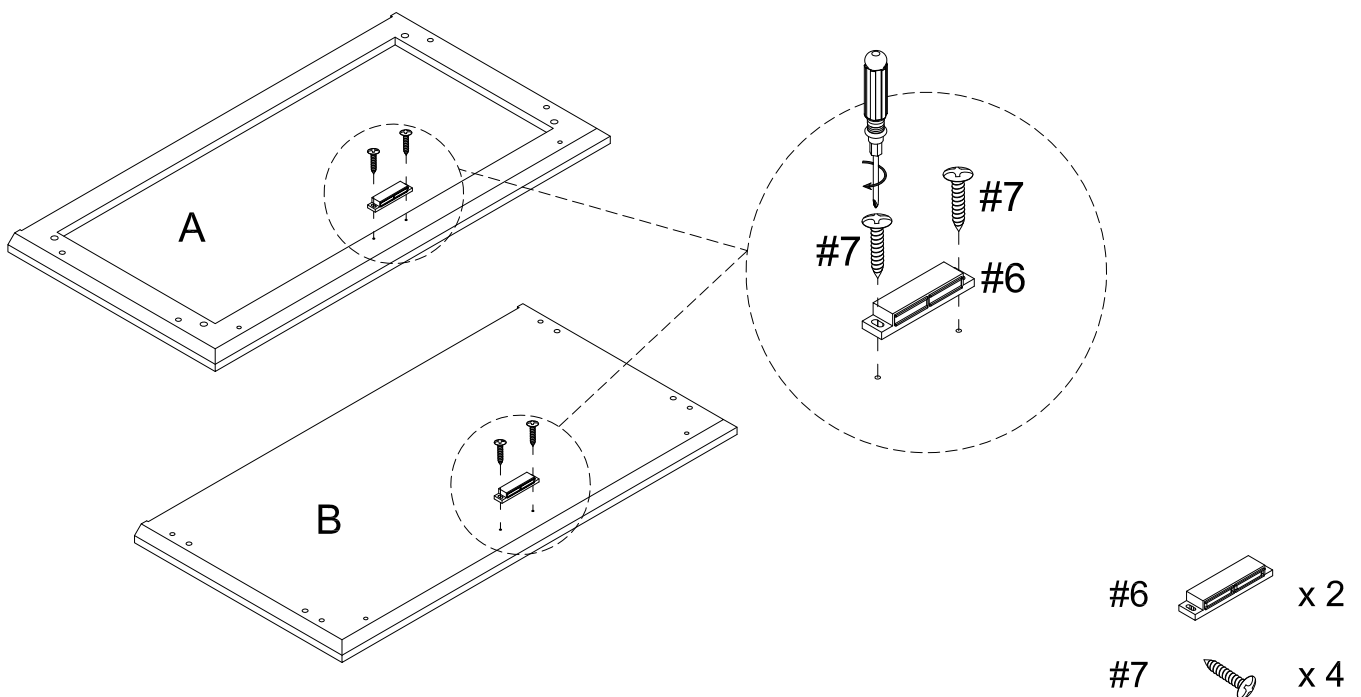
Phillips Head Screwdriver

Note: Wood dowels are intended for alignment. Additional clearance between wood dowel and pre-drilled hole is intentional for ease of assembly.

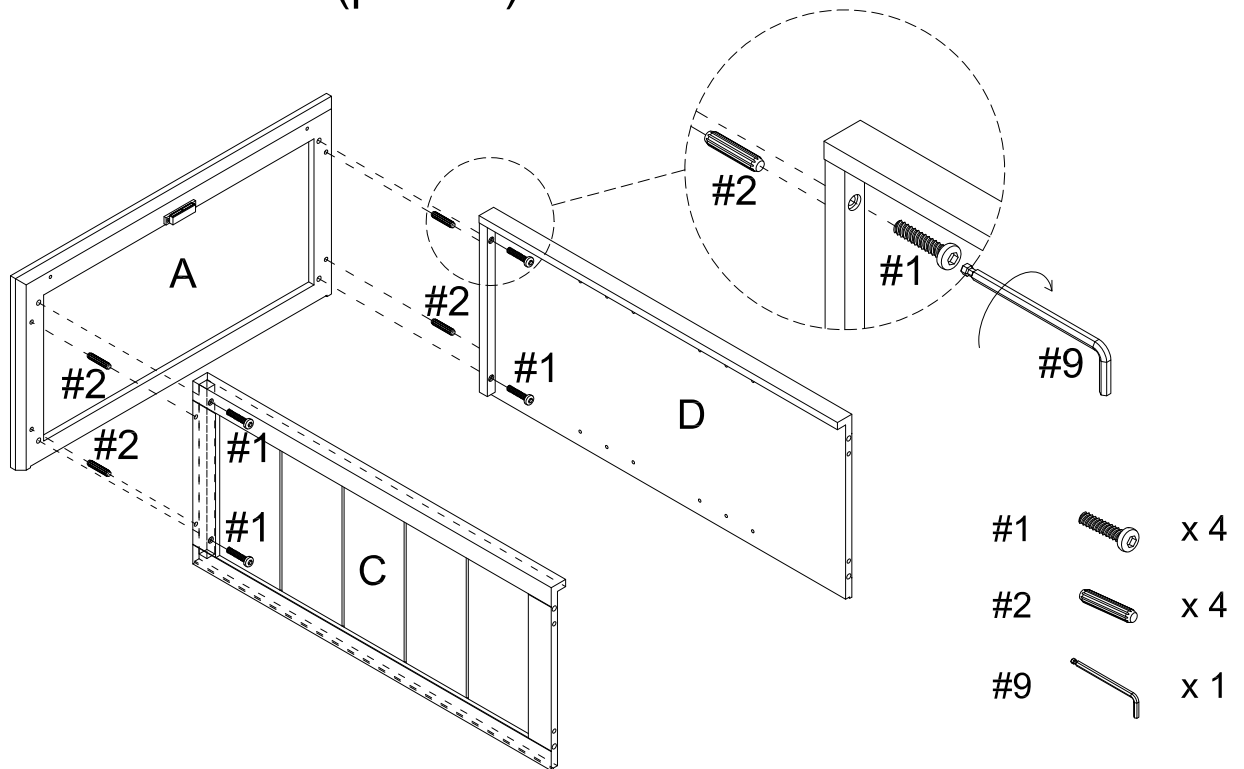
Step 1. Attach handles (part #3) to door panels (part F) using short bolts (part #4) and phillips head screwdriver.



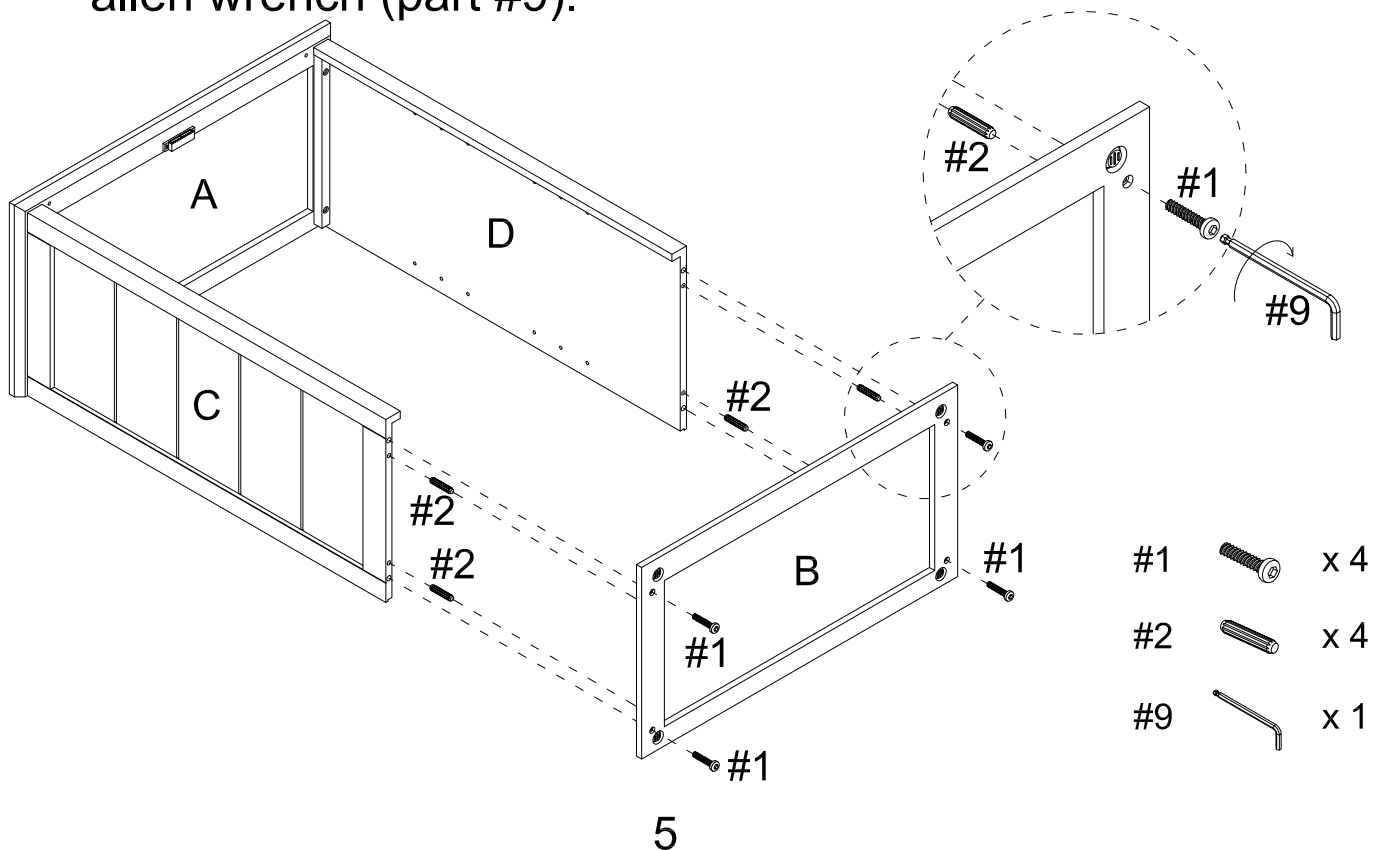
Step 2. Attach double magnet (part #6) to top panel (part A) and bottom panel (part B) using screws (part #7) and phillips head screwdriver.



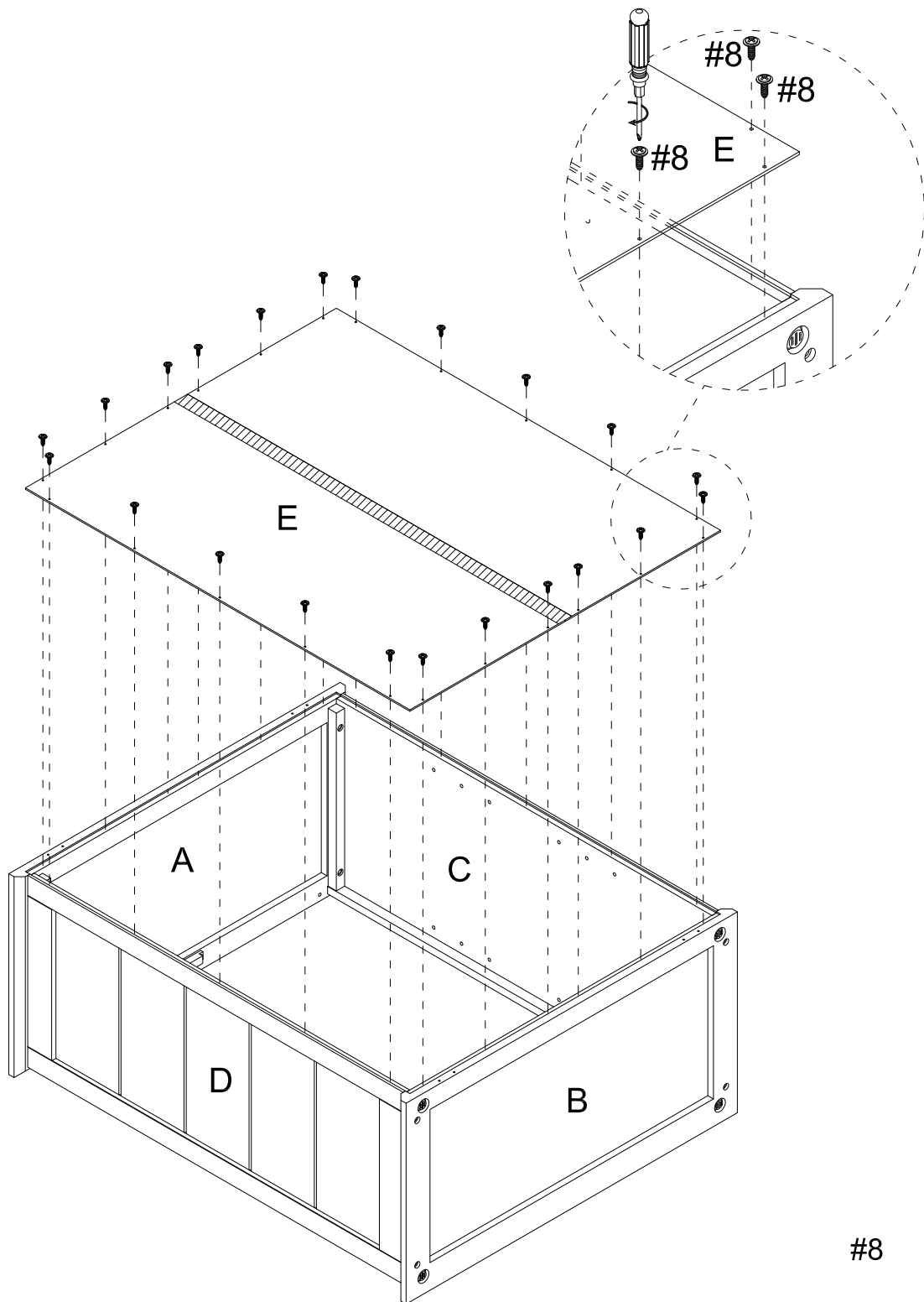
Step 3. Attach left panel (part C) and right panel (part D) to top panel (part A) using wood dowels (part #2), long bolts (part #1) and allen wrench (part #9).



Step 4. Attach bottom panel (part B) to assembled unit (parts C & D) using wood dowels (part #2), long bolts (part #1) and allen wrench (part #9).



Step 5. Carefully turn unit backside upright. Attach back panel (part E) to assembled unit (parts A, B, C & D) using short screws (part #8) and phillips head screwdriver.

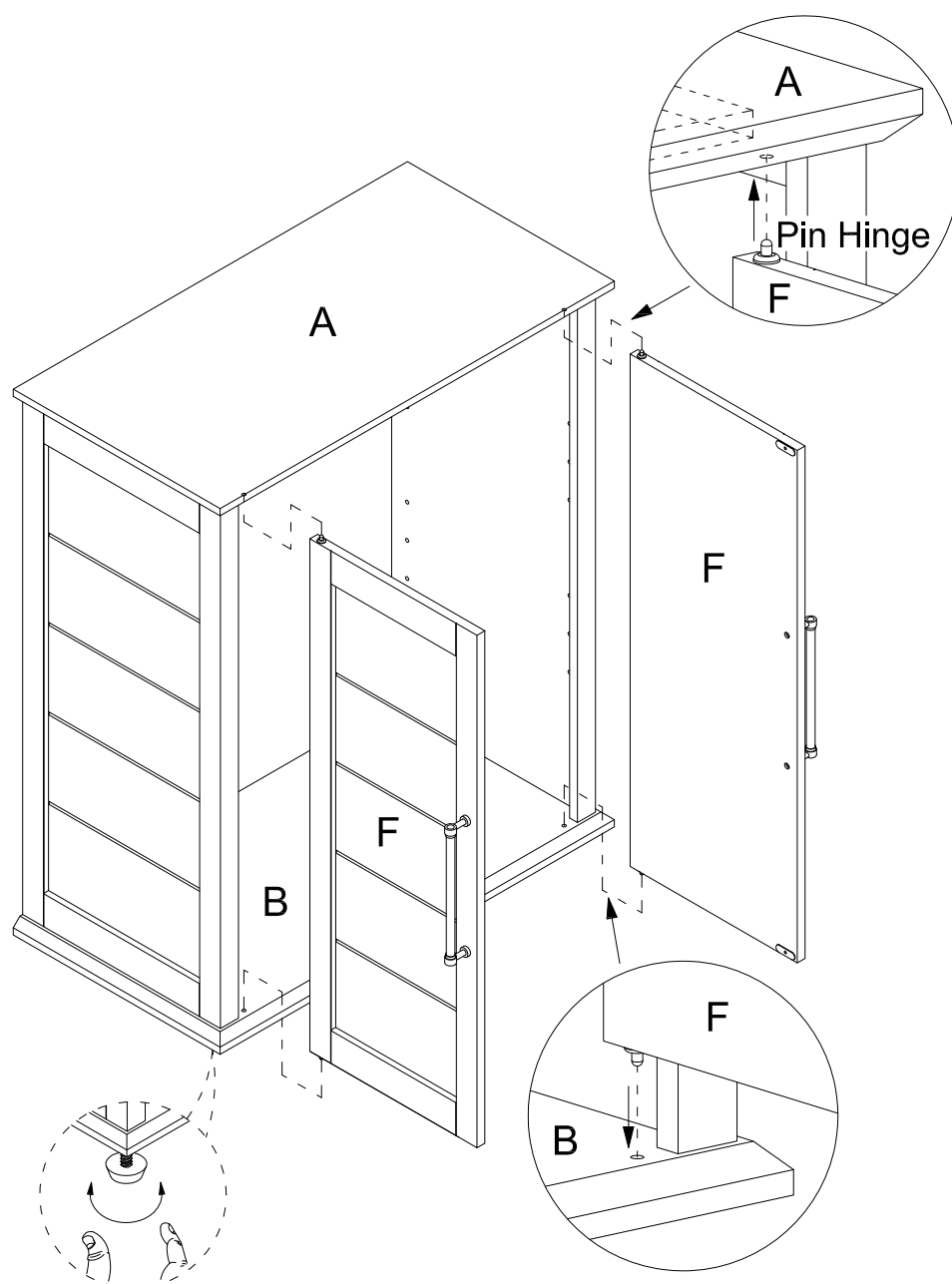


#8  x 22

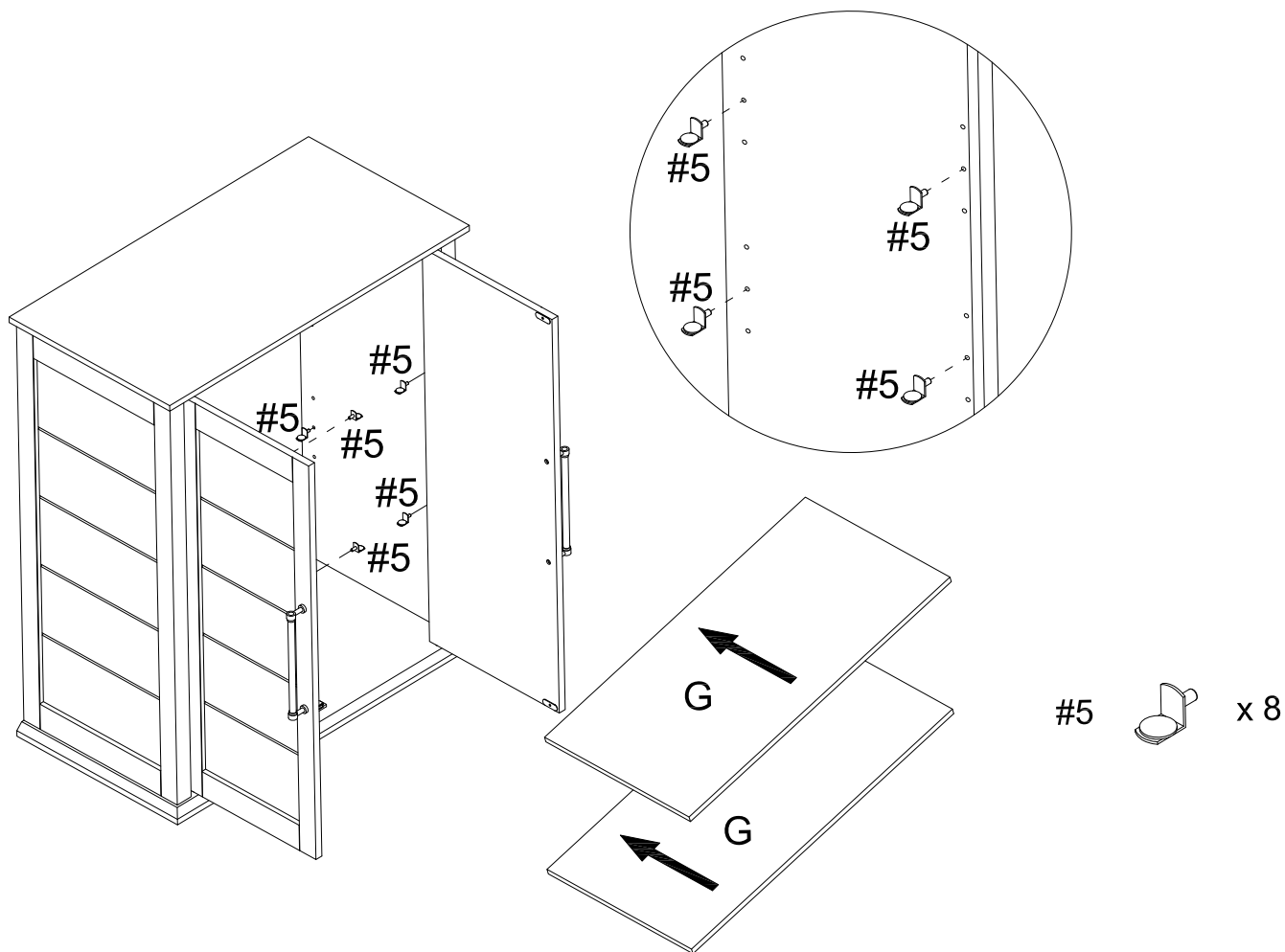
Step 6. Carefully turn unit upright. Attach door panels (part F) by placing bottom pin hinge (pre-installed in door) in the pre-drilled hole of bottom panel (part B). Then depress the top spring-loaded pin hinge so it can be placed in the pre-dilled hole of top panel (part A).

Note: Be sure top and bottom pin hinges are fully extended to secure doors in place.

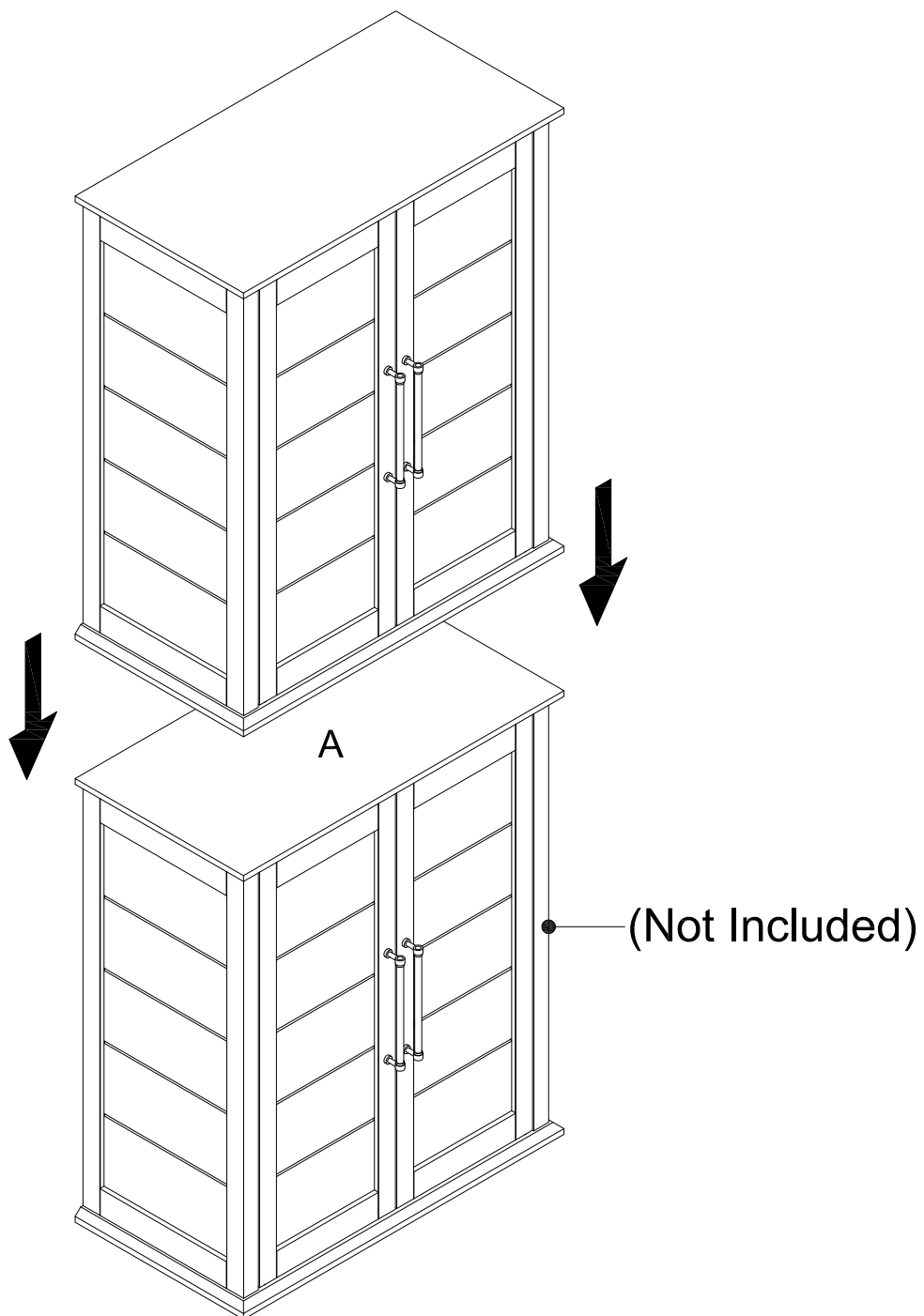
Note: It is important to adjust levelers once fully assembled and upright. Extend adjustable leveler until it's firmly in contact with the floor. If relocating, adjust leveler as needed until it's firmly in contact with the floor in new location.



Step 7. Place shelf holders (part #5) into desired position and slide adjustable shelves (part G) into place.



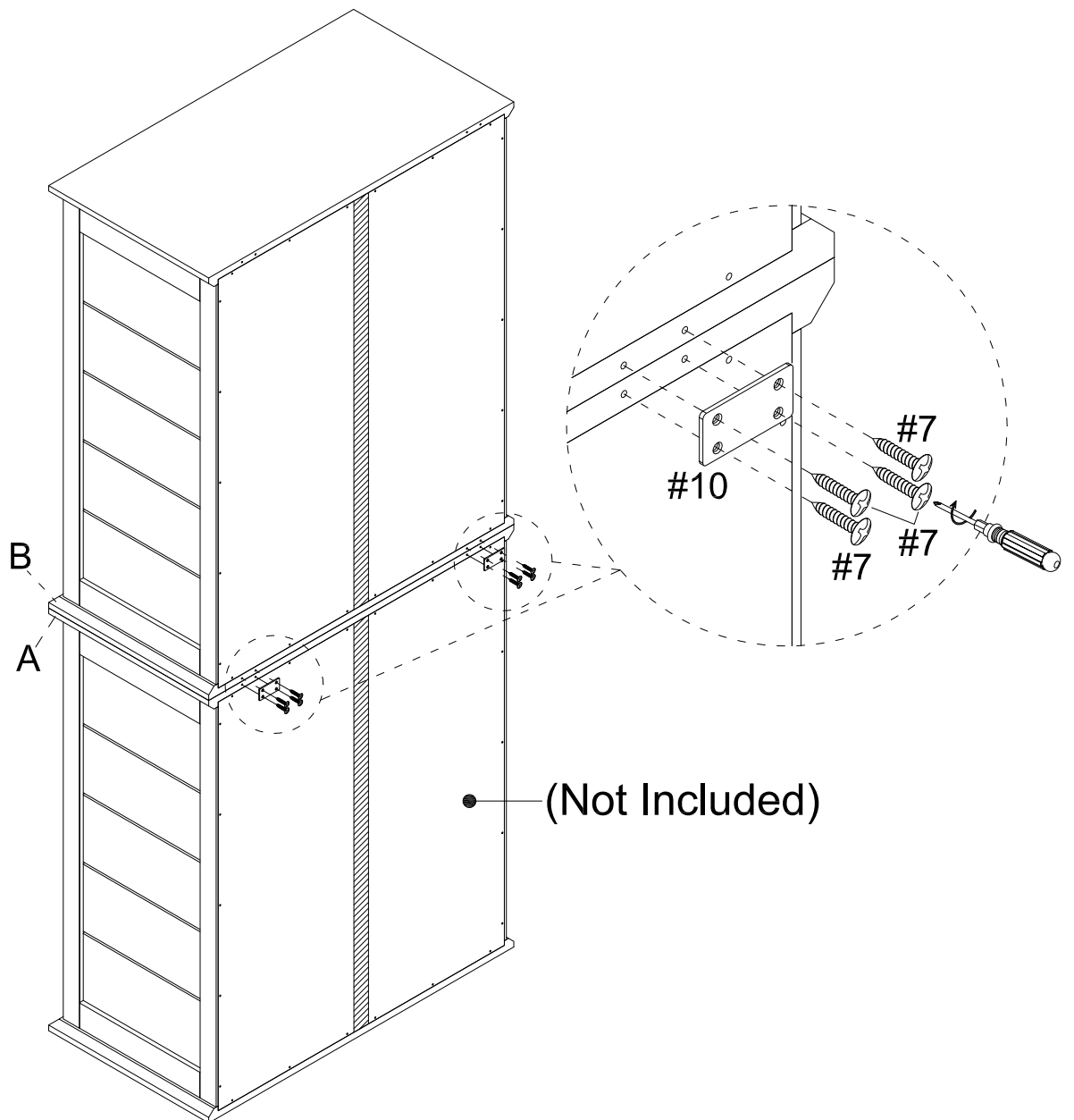
Step 8. Place assembled pantry on top panel (part A).




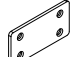
Step 9. Attach connecting bars (part #10) to bottom panel (part B) and top panel (part A) using screws (part #7) and phillips head screwdriver.

Important: Safety strap kit (part #11) must be installed to prevent tipping, damage and/or injury.







NOTE: It is important to adjust levelers once fully assembled and upright. Extend adjustable leveler until it's firmly in contact with the floor. If relocating, adjust leveler as needed until it's firmly in contact with the floor in new location.



● (Not Included)

- | | | |
|-----|---|-----|
| #7 |  | x 8 |
| #10 |  | x 2 |

Step 10.

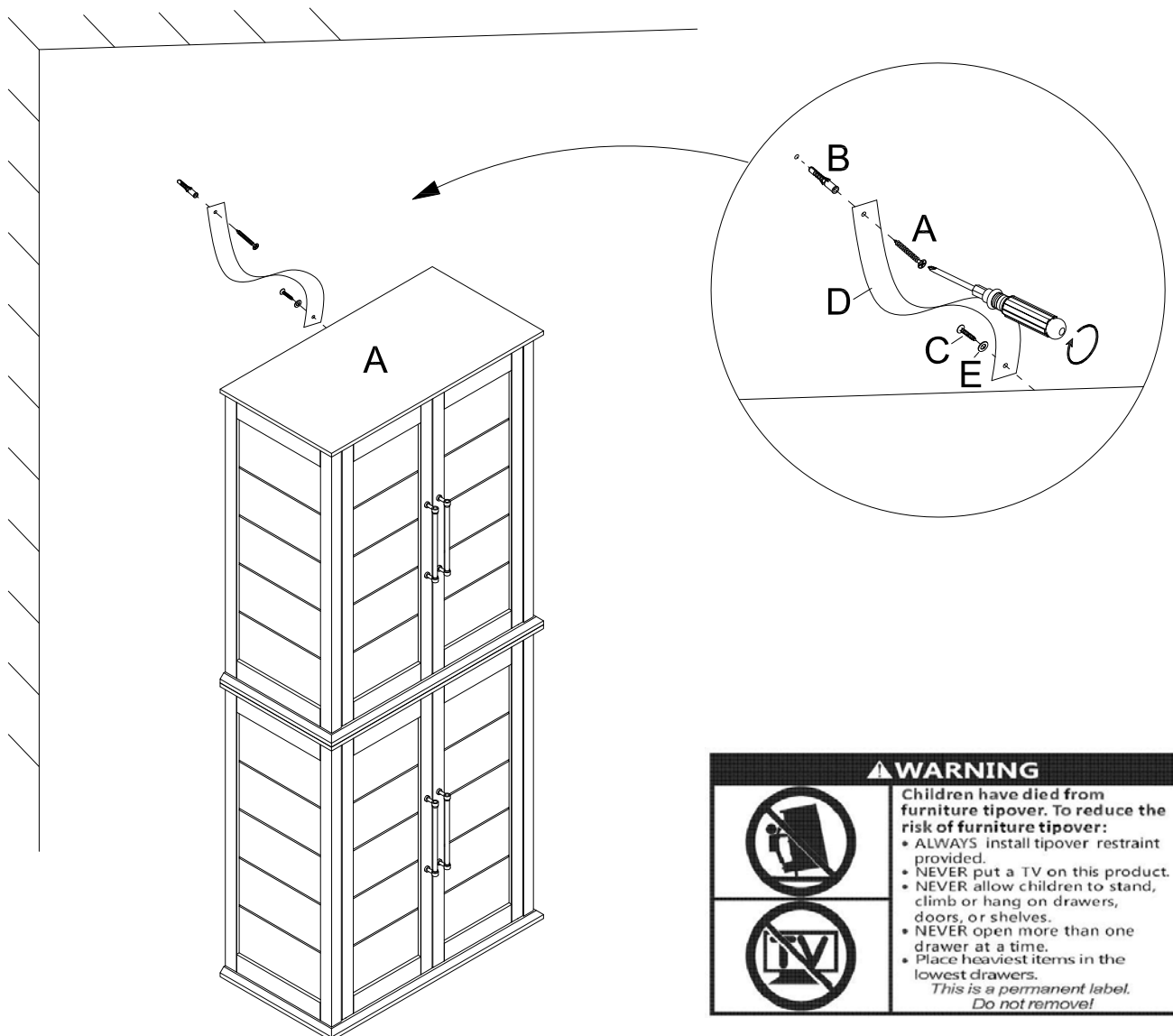
#11	A	B	C	D	E
					
Safety Strap Kit 1 SET	Long Screw 1 PC	Wall Anchor 1 PC	Short Screw 1 PC	Safety Wall Strap 1 PC	Flat Washer 1 PC

SAFETY WALL STRAP INSTALLATION

Note: It is highly recommended to install this safety strap kit to prevent tipping, damage and/or injury.

1. Insert short screw (C) through flat washer (E) and safety wall strap (D) and attach to top panel (part A) using phillips head screwdriver.
2. Drill a 11/32" hole where you want to secure the unit. The drilled hole will be at the same height as the hole in top panel (part A) where safety wall strap (D) is attached. Tap wall anchor (B) into the hole.
3. Insert long screw (A) through safety wall strap (D) into wall anchor (B) using phillips head screwdriver.

Note: This item is not intended for clothing storage use.



▲ WARNING	
	<p>Children have died from furniture tipover. To reduce the risk of furniture tipover:</p> <ul style="list-style-type: none"> • ALWAYS install tipover restraint provided. • NEVER put a TV on this product. • NEVER allow children to stand, climb or hang on drawers, doors, or shelves. • NEVER open more than one drawer at a time. • Place heaviest items in the lowest drawers. <p><i>This is a permanent label. Do not remove!</i></p>
	