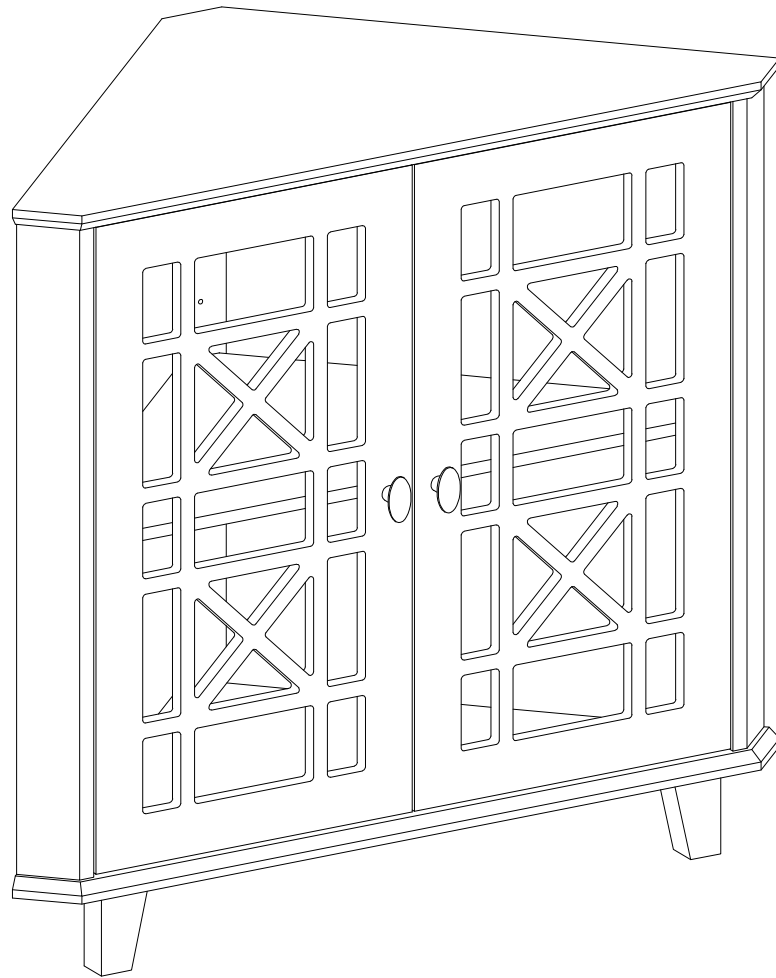
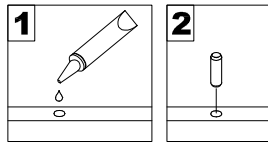


# Assembly Instructions

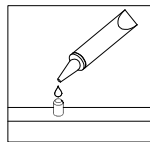


# General Assembly Guidelines

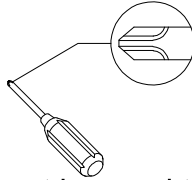
- I. Ensure that all parts and hardware are available before beginning assembly.
- II. Follow each step carefully to ensure the proper assembly of this product.
- III. Two people are recommended for ease in the assembly of this product.
- IV. The three main types of hardware used to assemble this product are: wood dowels, screws and bolts.
- V. The provided glue is to secure wood dowels in place. When first inserting dowels, locate the appropriate hole for the dowel, place a small amount of glue in the hole and insert the dowel. Wipe away excess glue immediately.



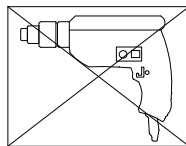
In future assembly steps when dowels are necessary to attach assembly parts together, place a small amount of glue on the end of the dowel before attaching parts together. Wipe away excess glue immediately.



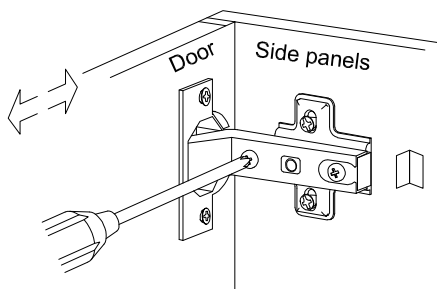
- VI. A Phillips head screwdriver is required for the assembly of this product.



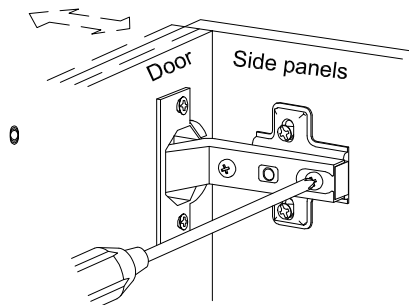
- VII. Power tools should not be used to assemble this product.



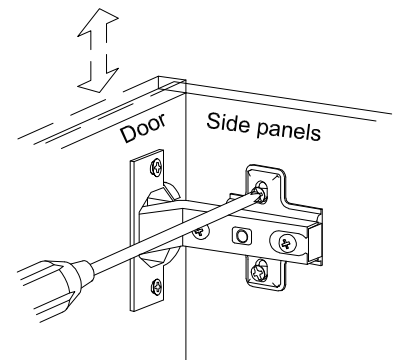
- VIII. Drill may be needed for securing product to wall.
- IX. Concealed hinges are three-way adjustable.



Horizontal  
by screw adjustment

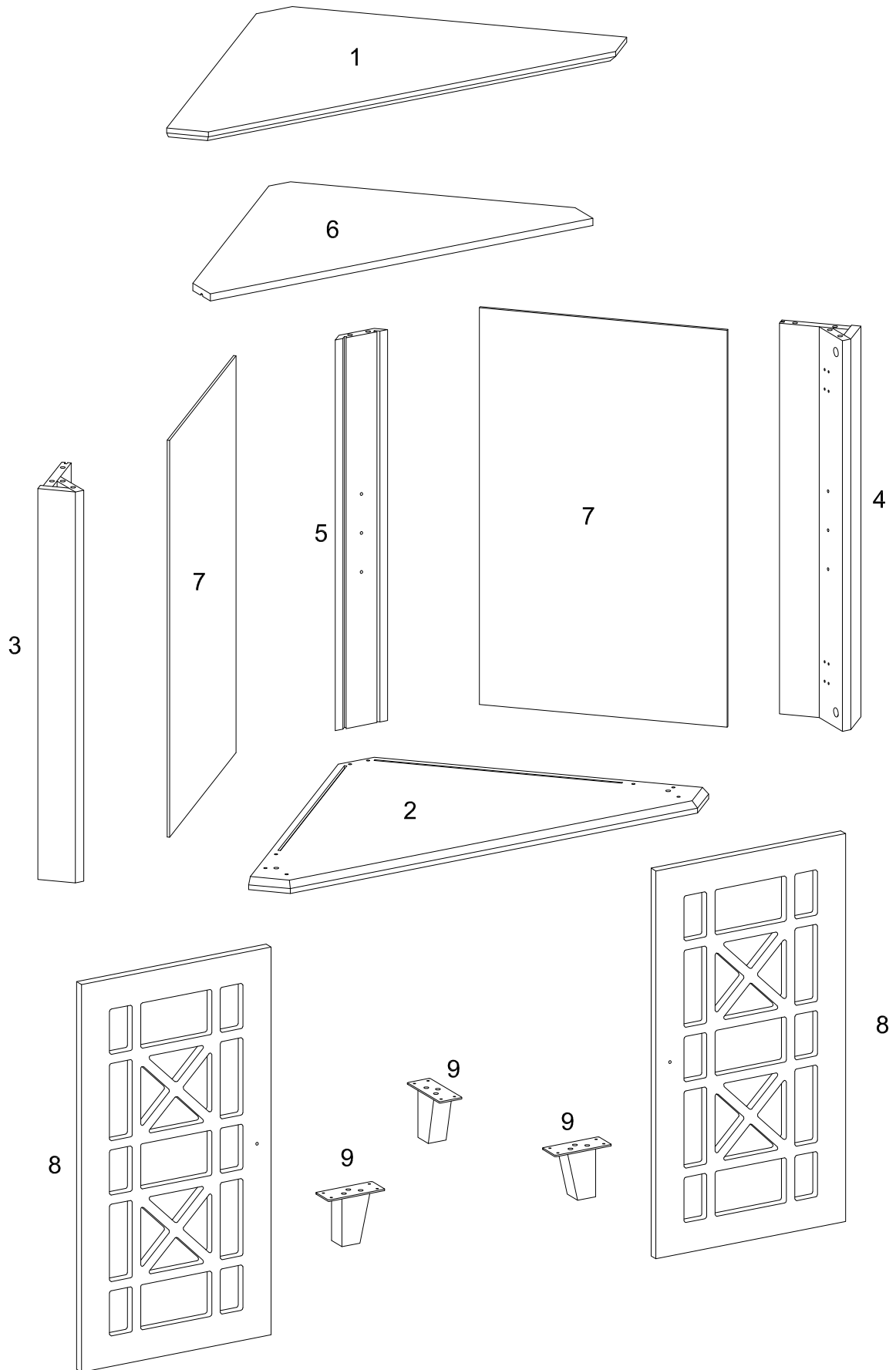


In-and-Out  
by loosening the hinge-arm  
mounting screw or via cam  
adjustment


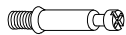



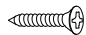
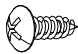
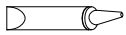
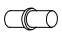





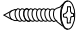






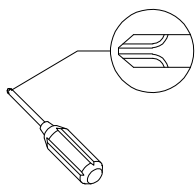
Vertical  
Via slots in the mounting  
plate or via cam adjustment

# Parts List



# Hardware List

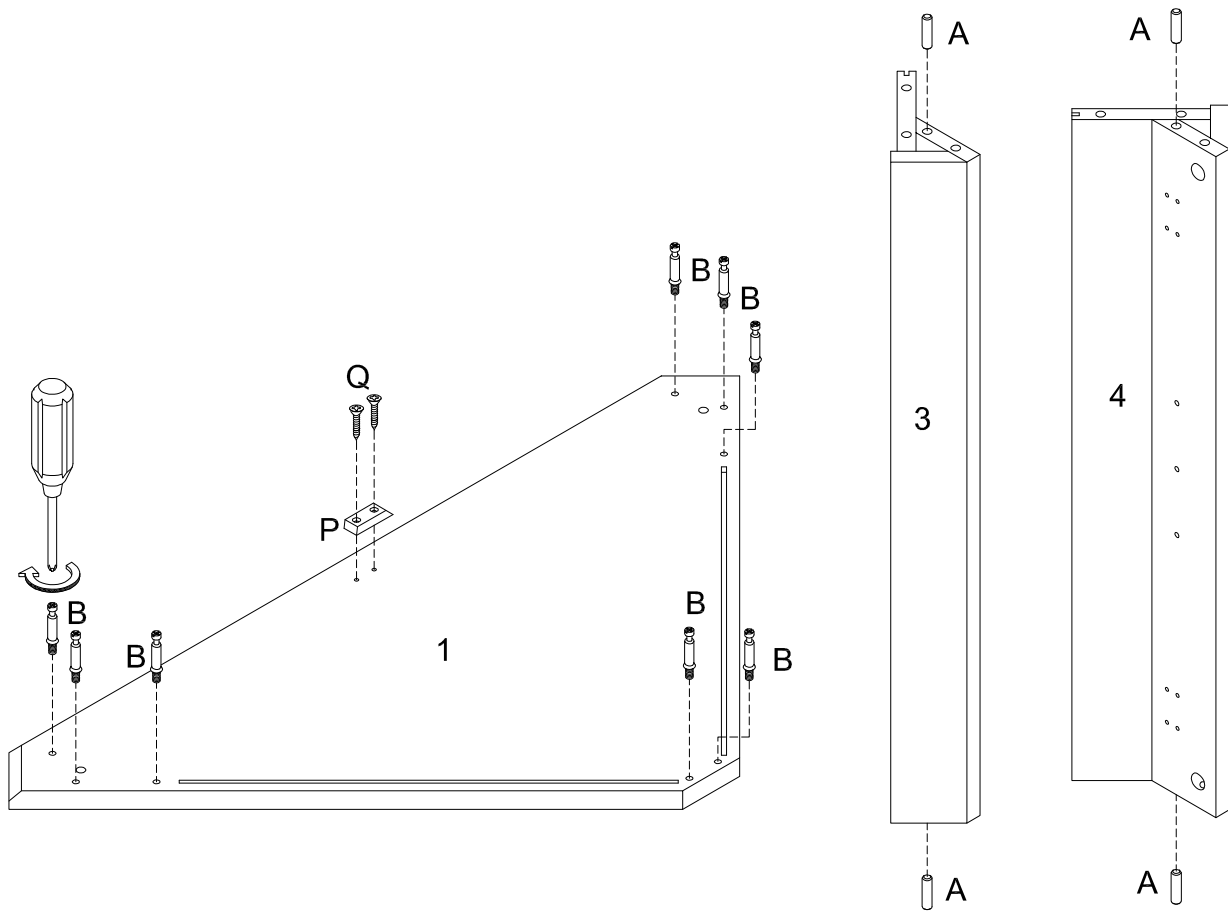
A		Ø8x30mm	Wooden dowel	4 pcs
B		Ø6x35mm	Cam bolt	16 pcs
C		Ø15x9mm	Cam lock	16 pcs
D		Ø30mm	Sticker	20 pcs
E			Plastic wedge	12 pcs
F		Ø3x17mm	Screw	12 pcs
G		Ø4x14mm	Screw	12 pcs
H			Glue tube	1 pc
J			Shelf support pin	3 pcs
K		Ø4x18mm	Handle Bolt	2 pcs
L			Handle	2 pcs
M			Europe hinge	4 pcs
N		Ø4x12mm	Bolt	24 pcs
P			Door stopper	1 pc
Q		Ø3x14mm	Screw	2 pcs
R		Ø4x12mm	Screw	1 pc
S		Ø4x25mm	Screw	1 pc
T			Plastic strap	1 pc
U			Nut	1 pc



Philips head screwdriver required for assembly  
(not included)

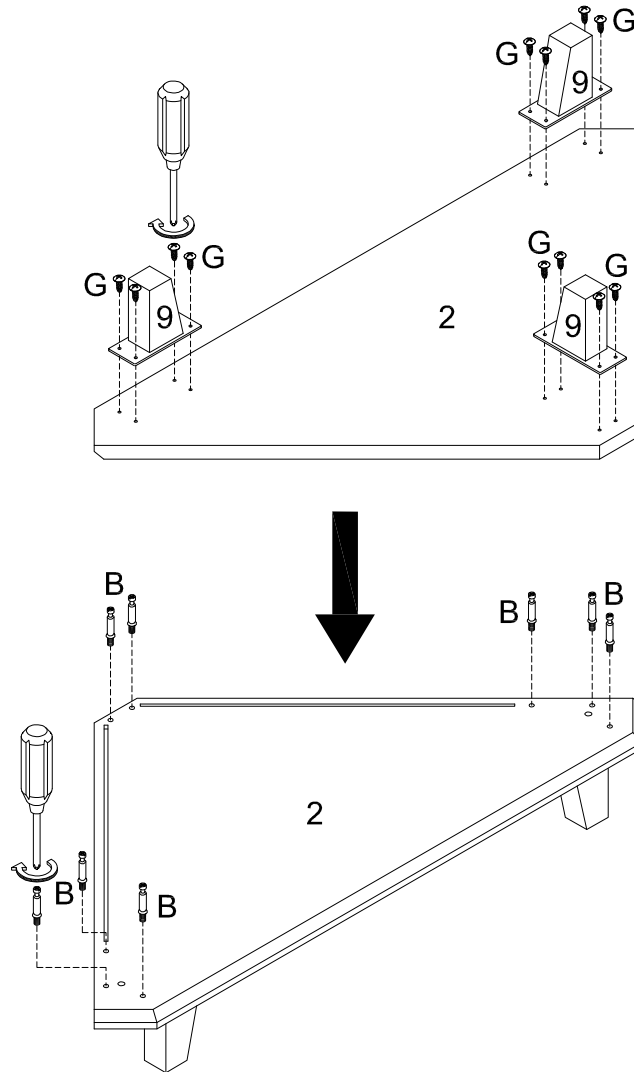
*The hardware quantities listed above are required for proper assembly.  
Some extra hardware may also have been included.*

# Step 1



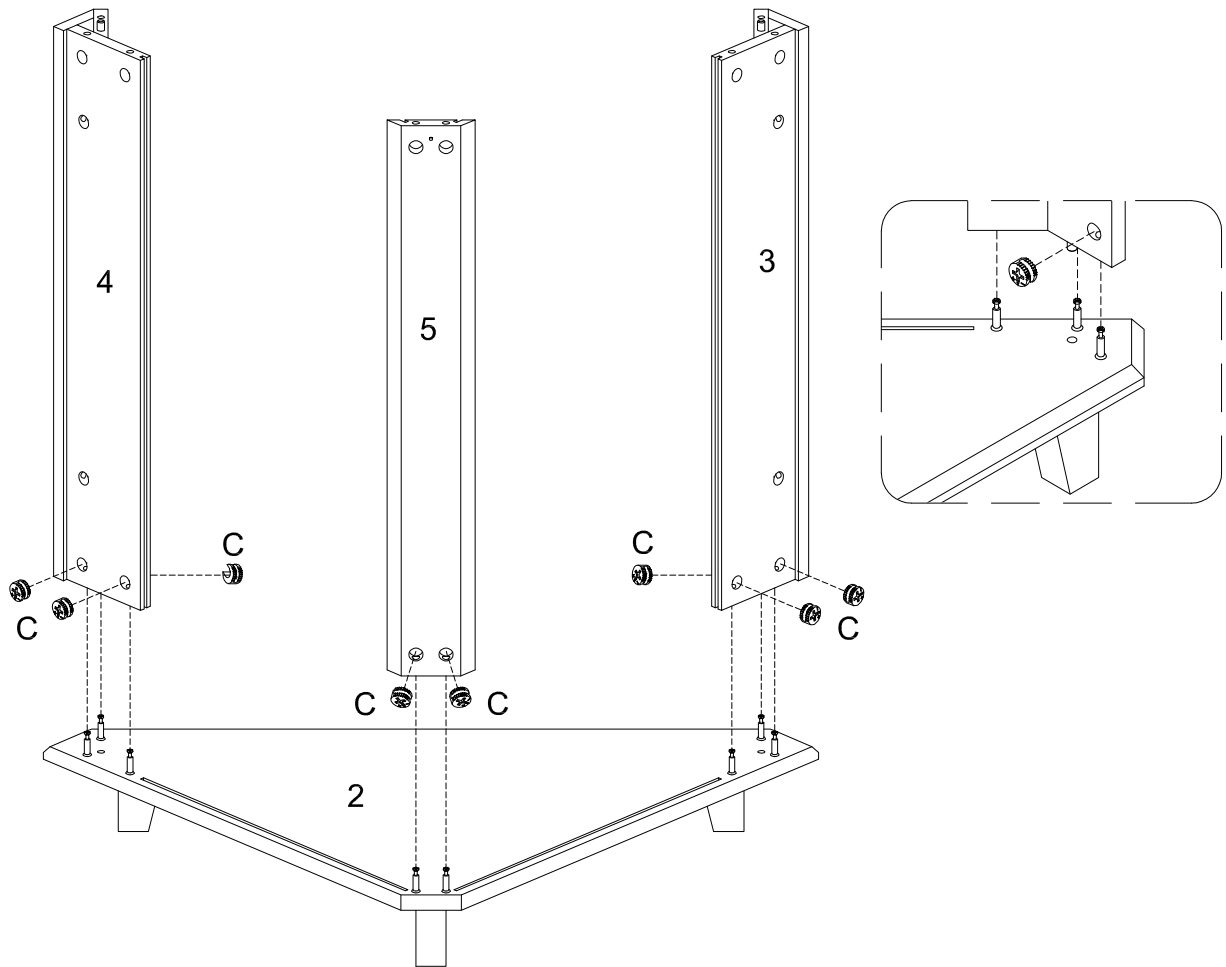
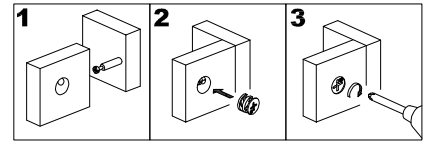
Insert wooden dowel (A) into parts (3,4), secure cam bolt (B) into part (1), then using screw(Q) attach door stopper (P) to part (1) with Philips head screwdriver as per diagram.

## Step 2



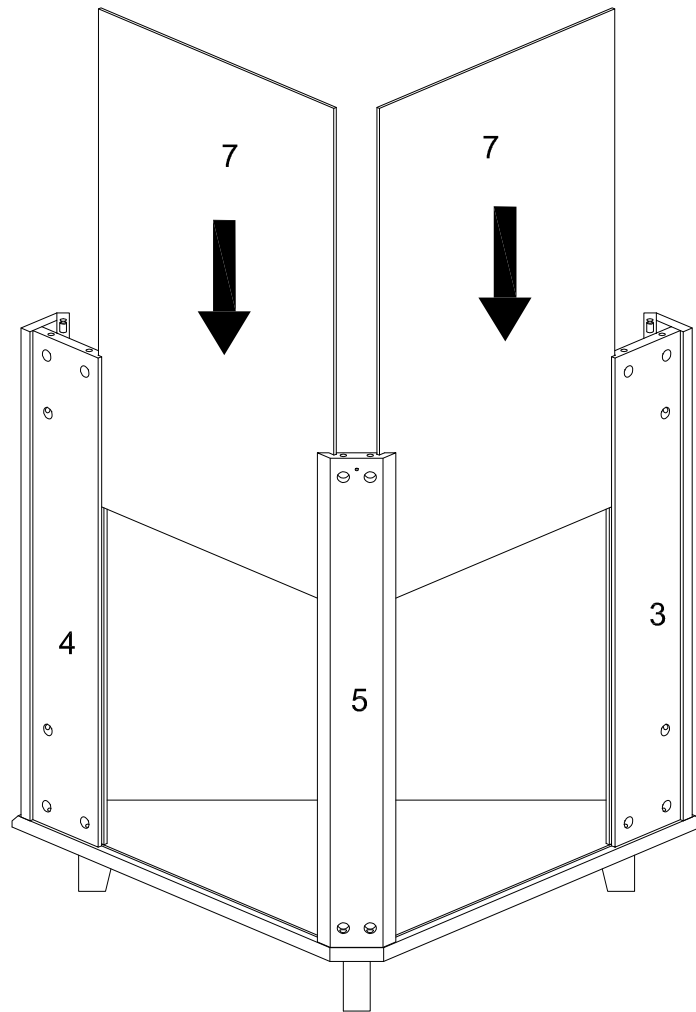
Using Screw (G) attach parts (9) to part (2), and then turn bottom panel over up, secure cam bolt (B) into part (2) with Philips head screwdriver as per diagram.

# Step 3



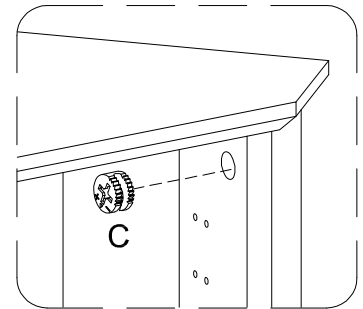
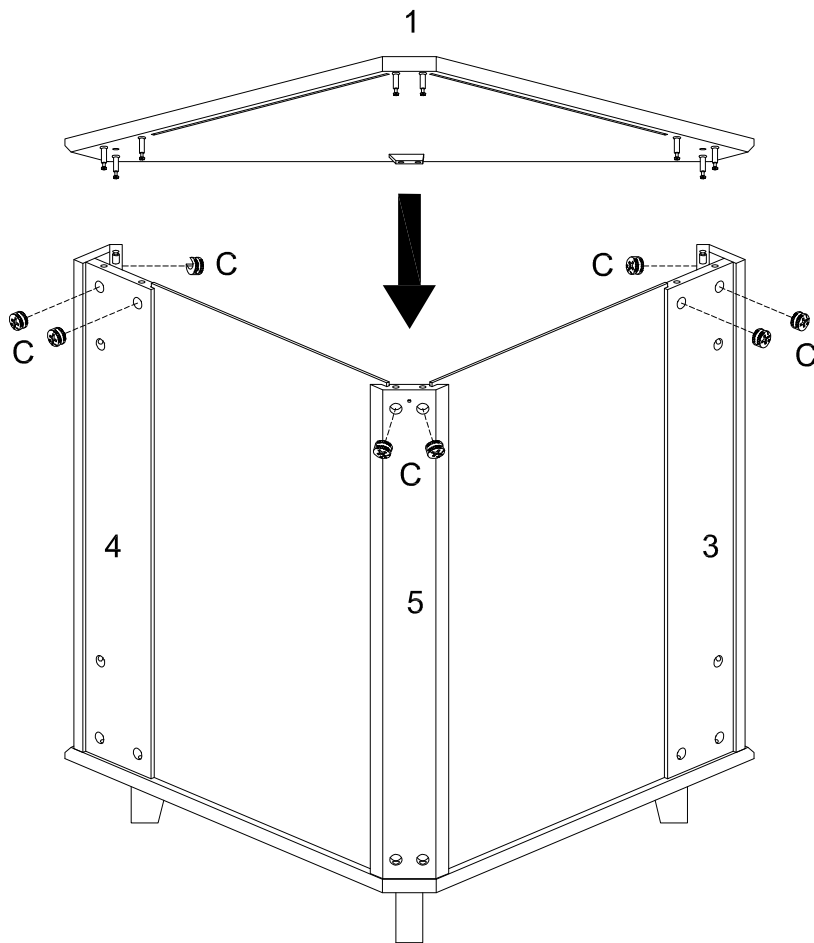
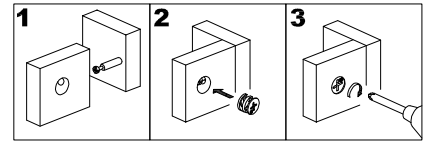
Using Cam lock(C) secure parts (3,4,5) to part (2) with Philips head screwdriver as per diagram.

# Step 4



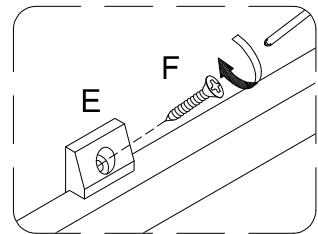
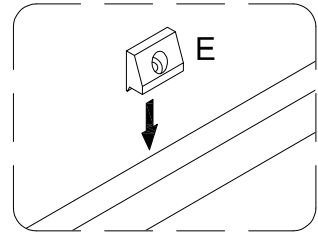
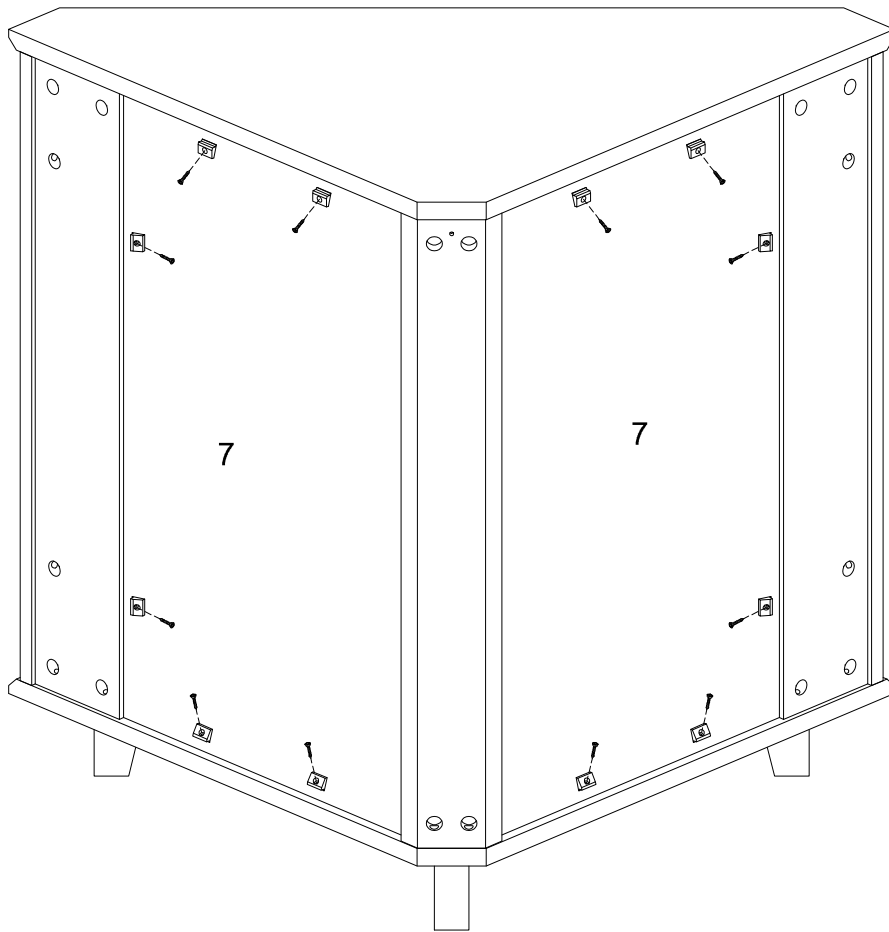
Put part (7) as per diagram.

# Step 5



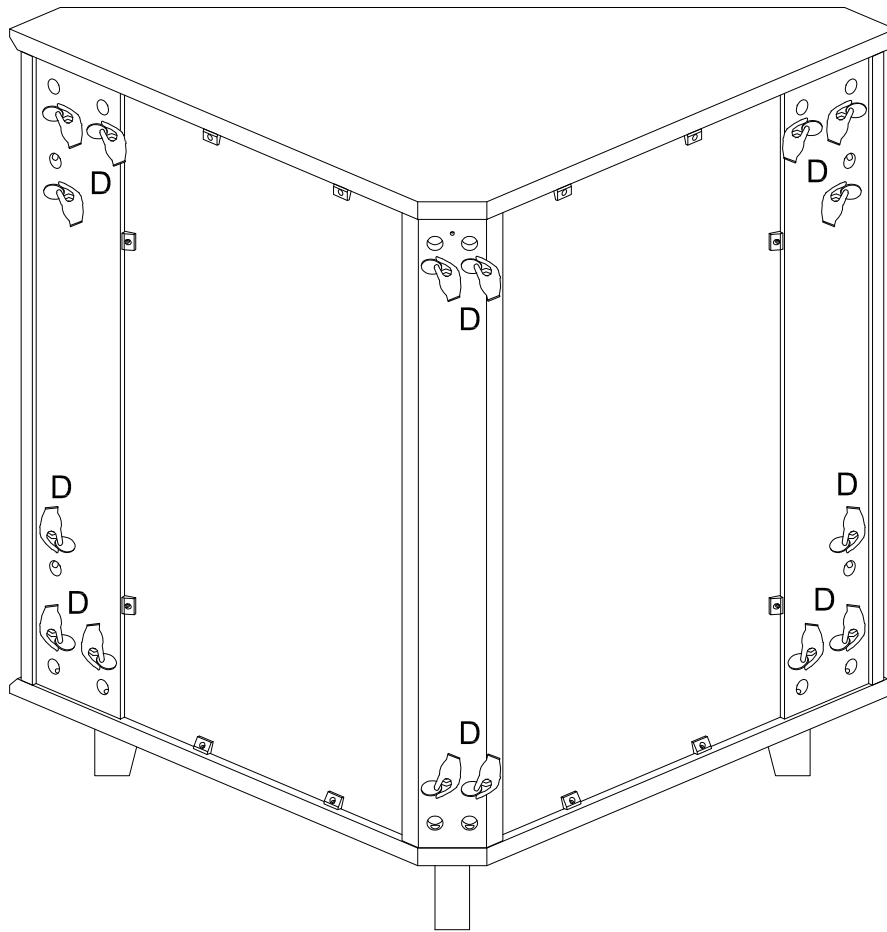
Using cam lock (C) secure part (1) to parts (3,4,5) with Philips head screwdriver as per diagram.

# Step 6



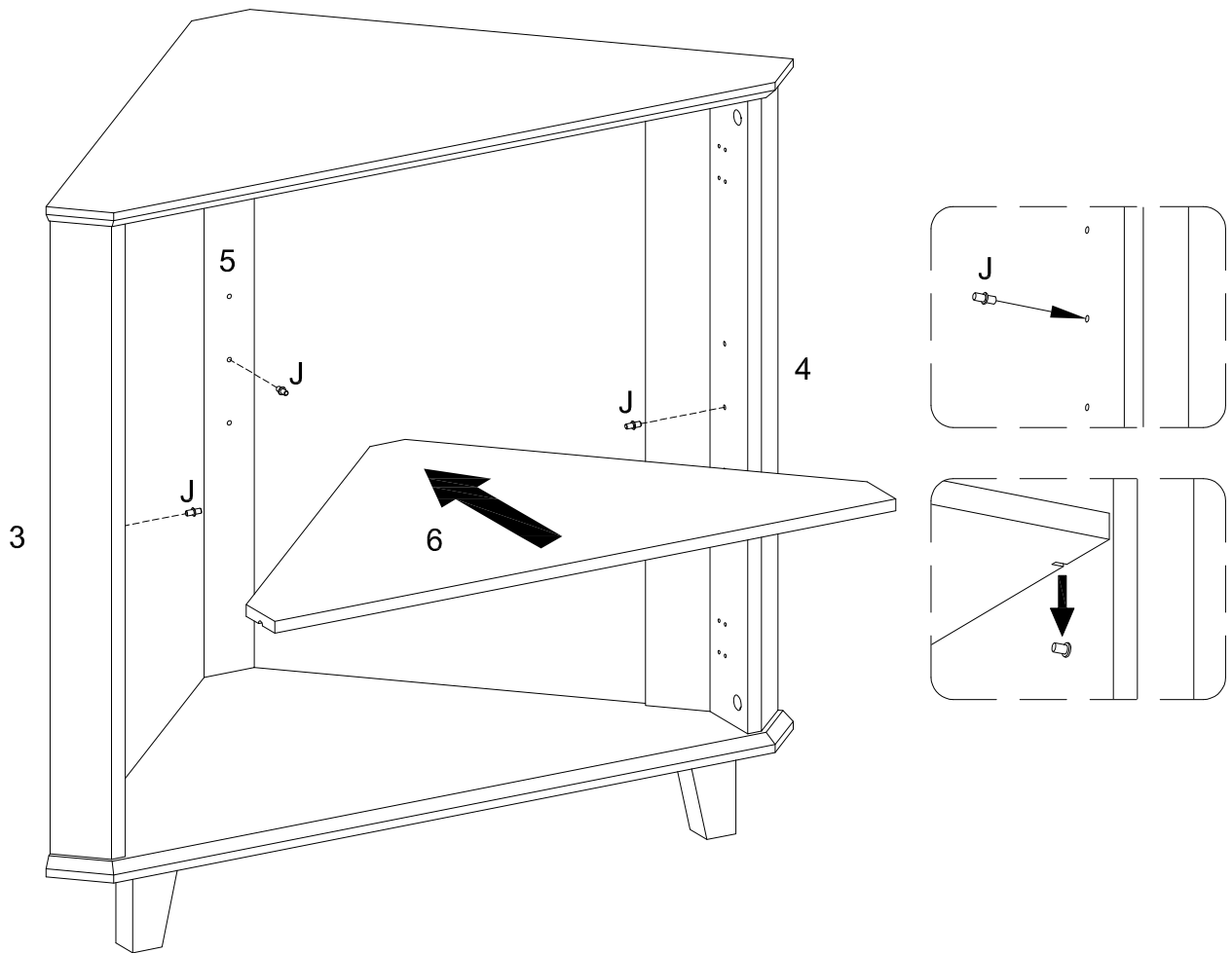
Using screw (F) secure plastic wedge (E) to part (7) with Philips head screwdriver as per diagram.

# Step 7



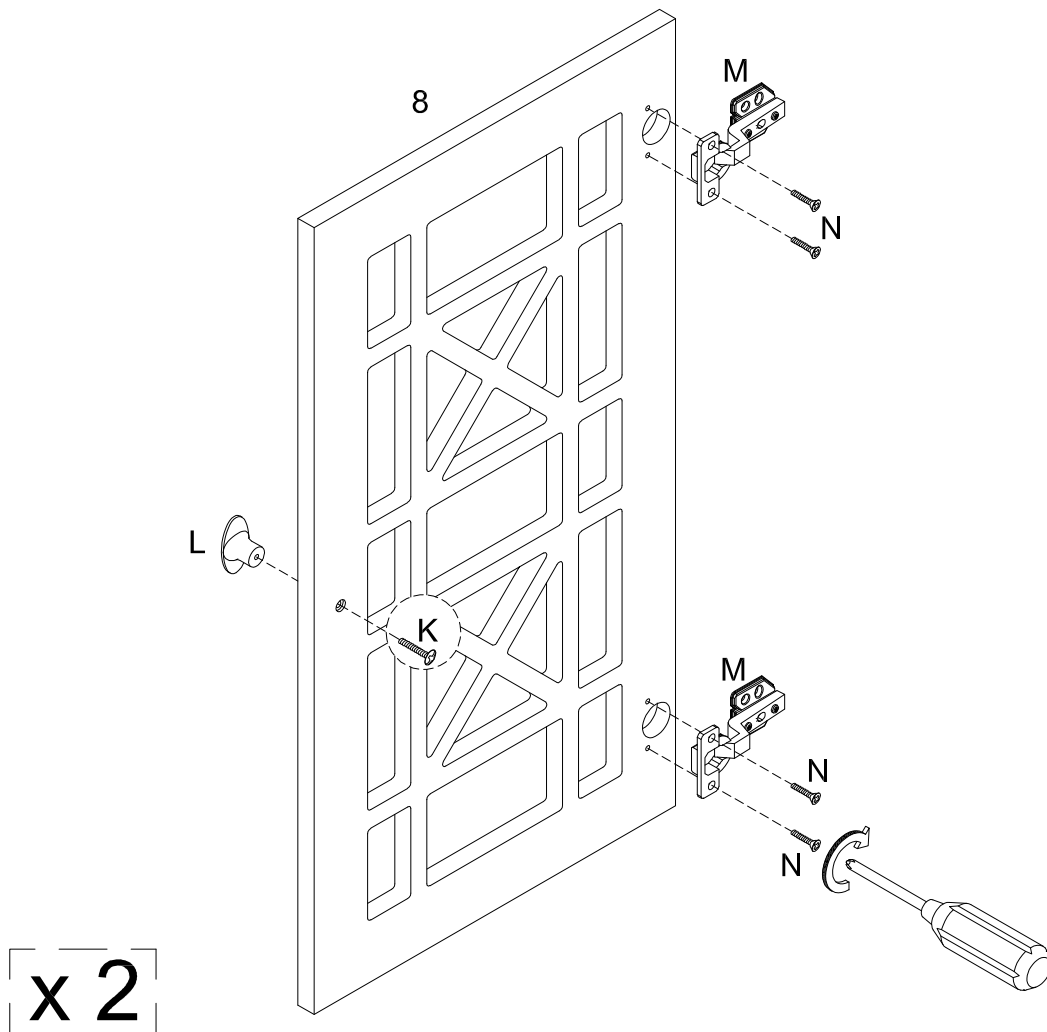
Place sticker (D) cover the holes as per diagram .

# Step 8



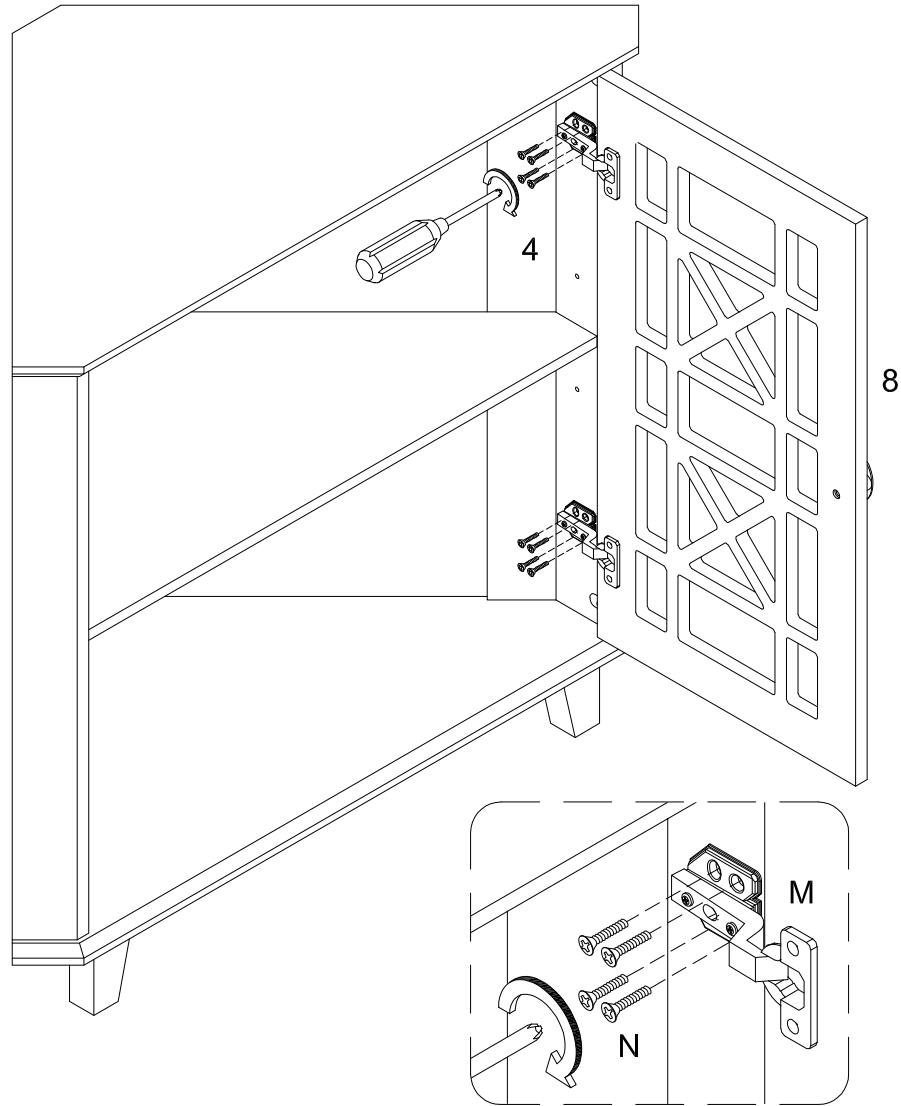
Insert shelf support pin (J) into parts (3,4,5) as per diagram. Make sure you place three shelves support pins (J) in the same level. So the shelf is not titled .Put part (6) into unit as per diagram. Tilt and rest the adjustable shelf(6) onto the shelf support pins .

# Step 9



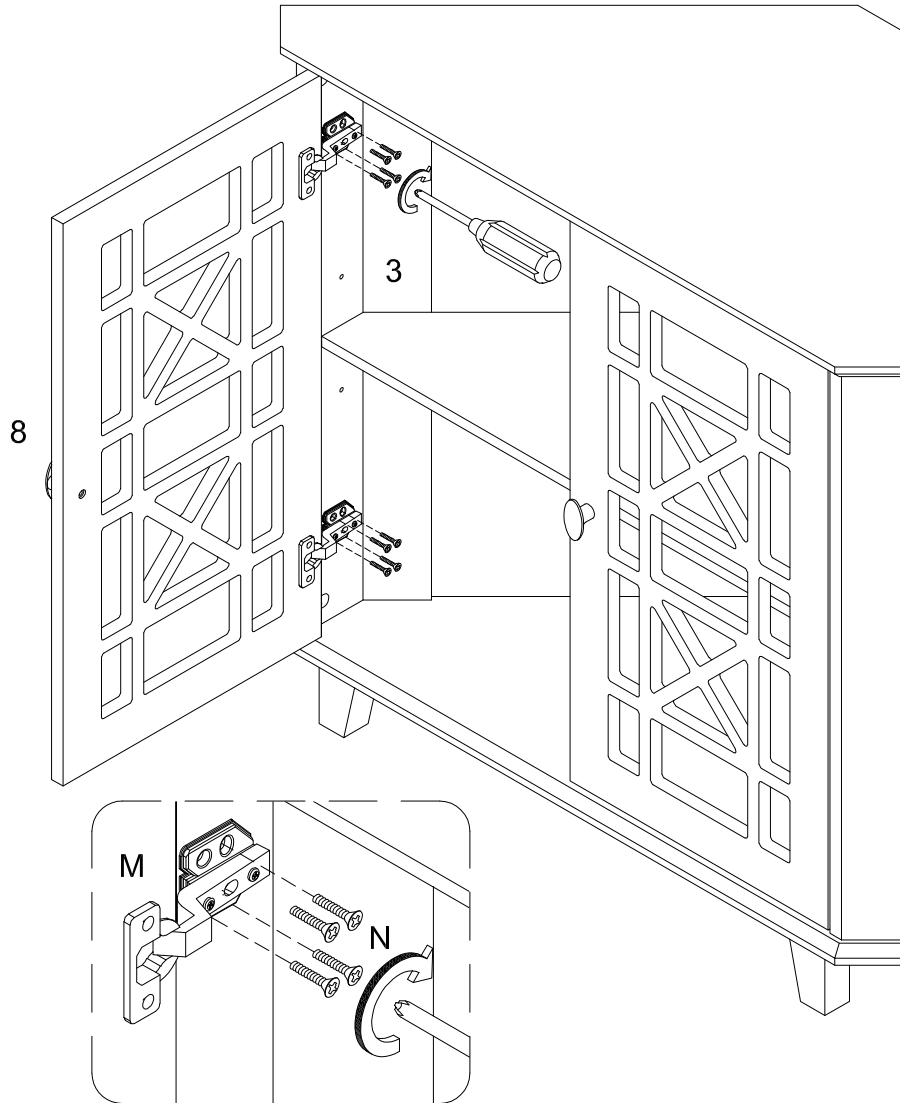
Using bolt (N) attach Europe hinge (M) into part (8) , then using handle bolt (K) secure handle (L) to part (8) with Philips head screwdriver as per diagram.

# Step 10



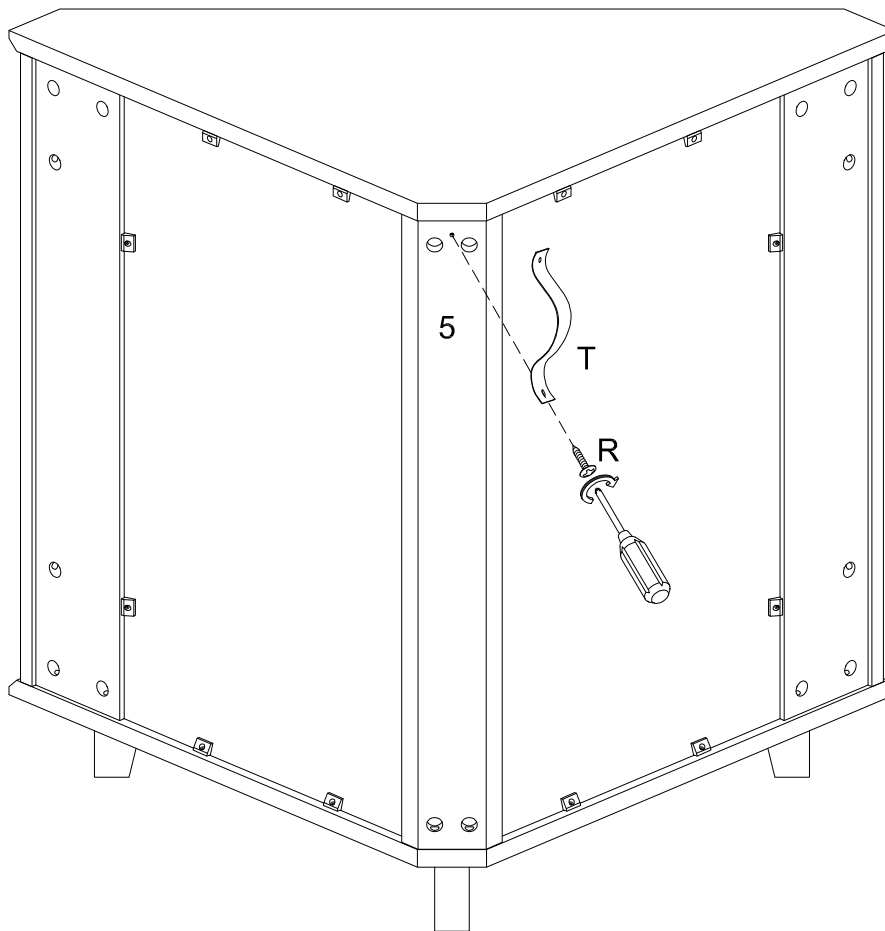
Using bolt (N) attach Europe hinge (M) into part (4) with Philips head screwdriver as per diagram.

# Step 11



Using bolt (N) attach Europe hinge (M) into part (3) with Philips head screwdriver as per diagram.

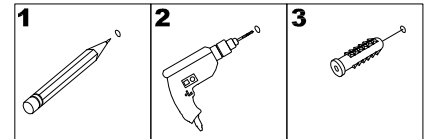
## Step 12



Using screw (R) attach plastic strap (T) into part (5) with Philips head screwdriver as per diagram.

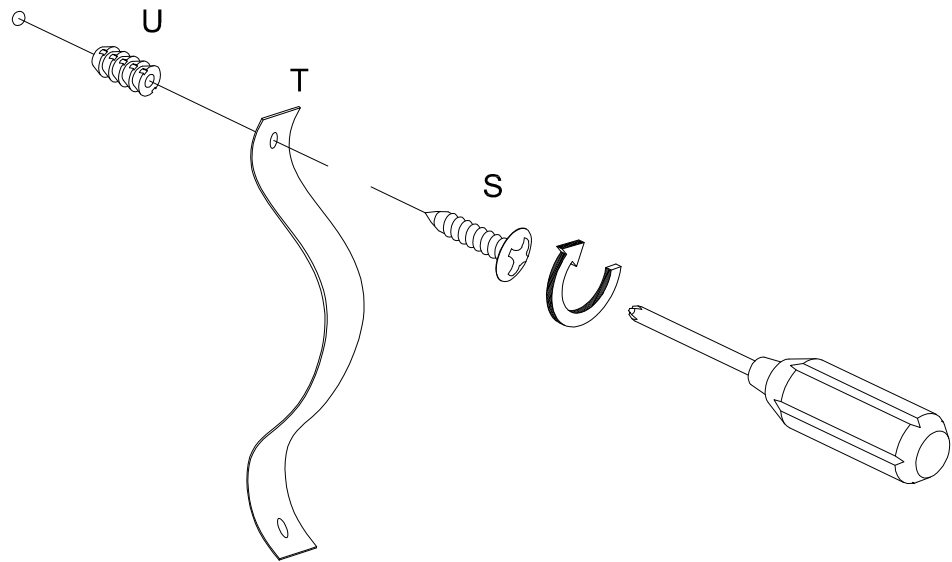
# Step 13

## WARNING



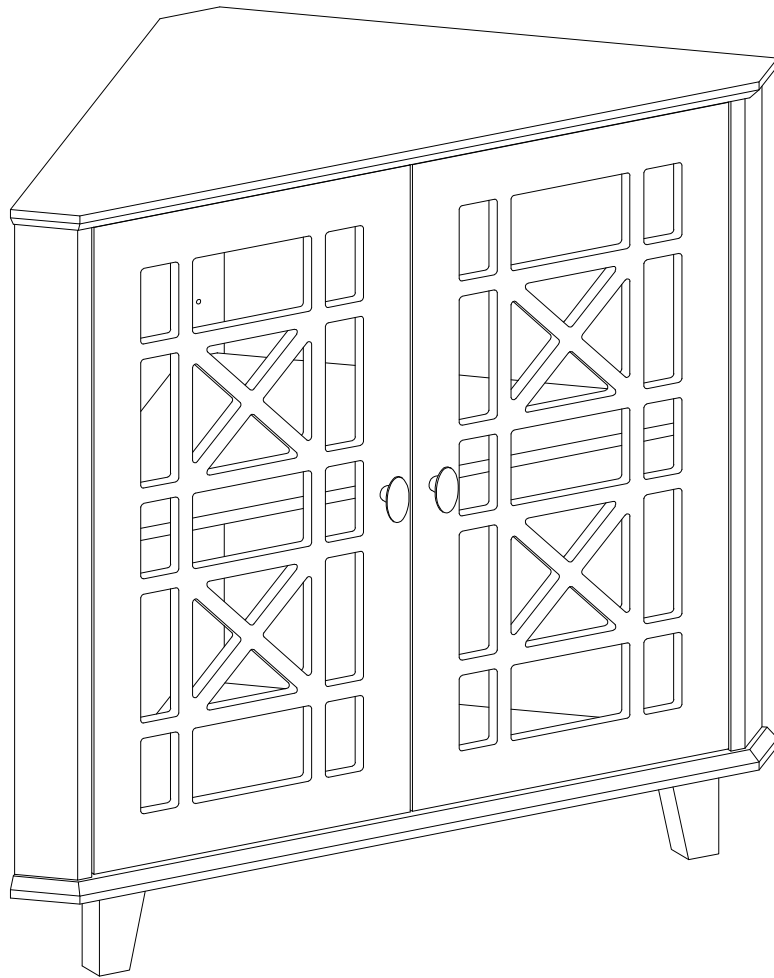
Serious or fatal injuries can occur from furniture tipping over. To prevent the furniture from tipping over we recommend that it is permanently fixed to the wall. Wall anchor and hardware are included with this product. Please make sure hardware is suitable for your walls before installing, as different wall materials may require different types of anchors.

Wall



Using screw (S) attach plastic strap (T) into Nut (U) to wall with Philips head screwdriver as per diagram.

# Step 14



Final Assembly