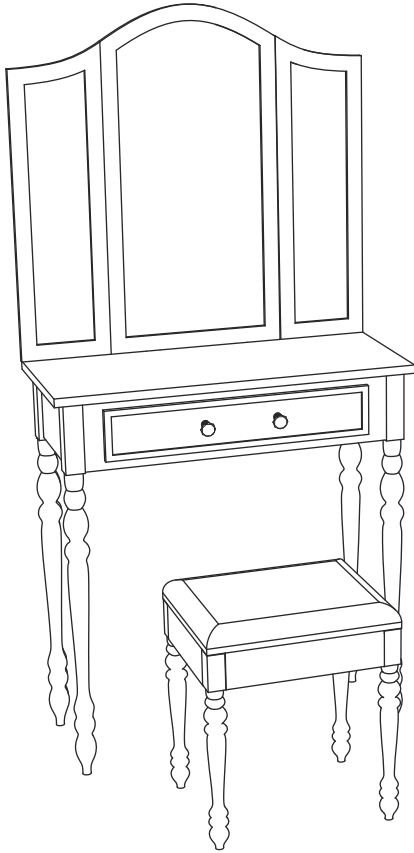


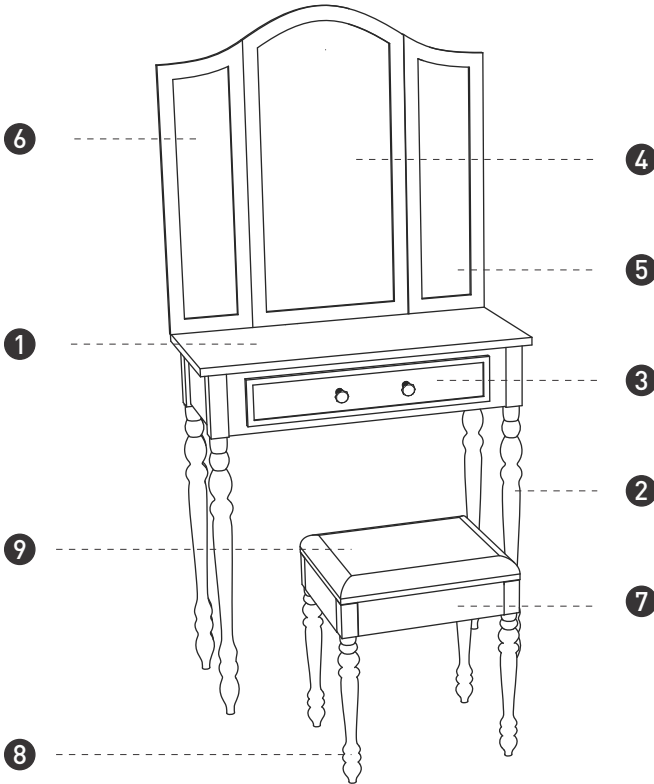
# Dressing Table

Instruction manual



# COMPONENTS — PANELS

Please check you have all the panels listed below:



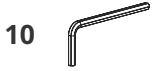
## PANEL LIST

1	Table Body (DR008-1)	x1	6	Left Mirror (DR008-6)	x1
2	Table Leg (DR008-2)	x4	7	Seat (DR008-7)	x1
3	Drawer (DR008-3)	x1	8	Chair leg (DR008-8)	x4
4	Main Mirror (DR008-4)	x1	9	Cushion (DR008-9)	x1
5	Right Mirror (DR008-5)	x1			

# COMPONENTS — FITTINGS

---

Please check you have all the fittings listed below:



Allen key x 1  
DR008-10



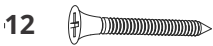
Screw (M1.5x12mm) x 16  
DR008-13



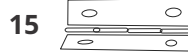
Screw (M5x45mm) x 16  
DR008-11



Screw (M3x14mm) x 6  
DR008-14



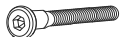
Screw (M3x27mm) x 4  
DR008-12

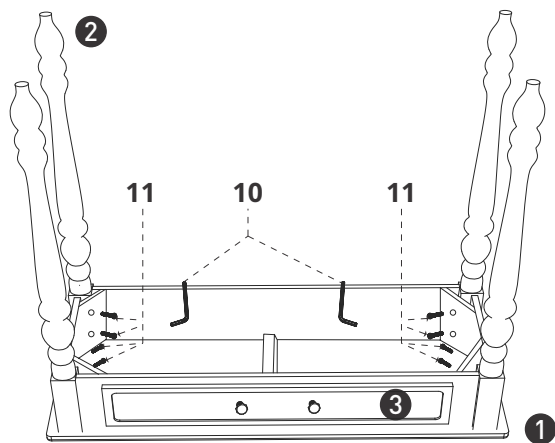


Hinge x 4  
DR008-15



# ASSEMBLY INSTRUCTIONS

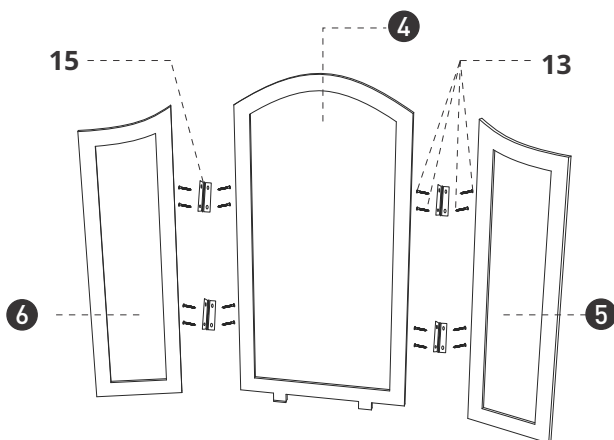
## Step 1

11		8
----	---	---



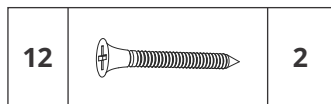
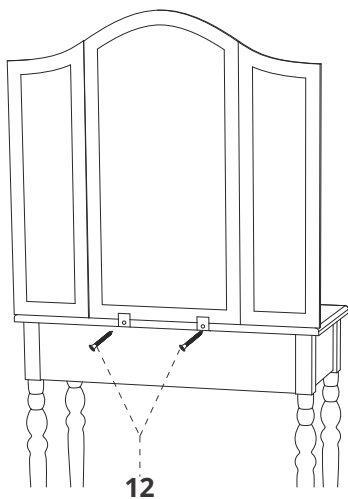
## Step 2

15		4
13		16

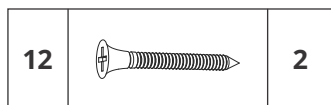
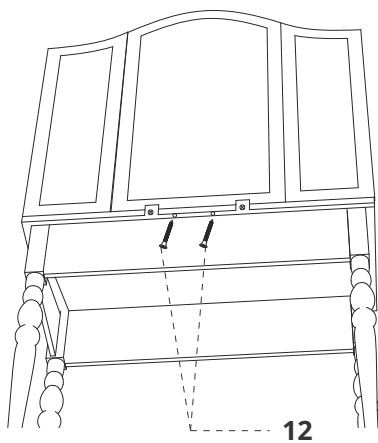


# ASSEMBLY INSTRUCTIONS

## Step 3



## Step 4



# ASSEMBLY INSTRUCTIONS

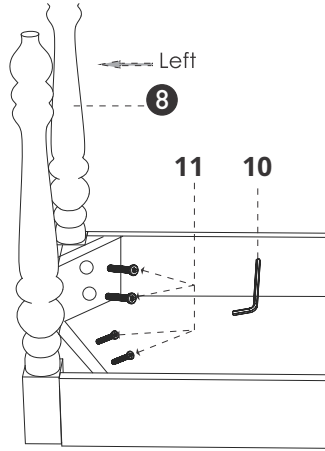
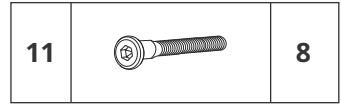
## Step 5

1. Fix the chair legs (8) with two screws (11) each to the seat rack. Use allen key.

2. Fix the cushion to the seat rack. Take six screws (14) for that.

3. Turn the stool around and place it with your dressing table.

**ATTENTION:** Make sure ALL screws (table and stool) are properly tightened.



## Step 6

