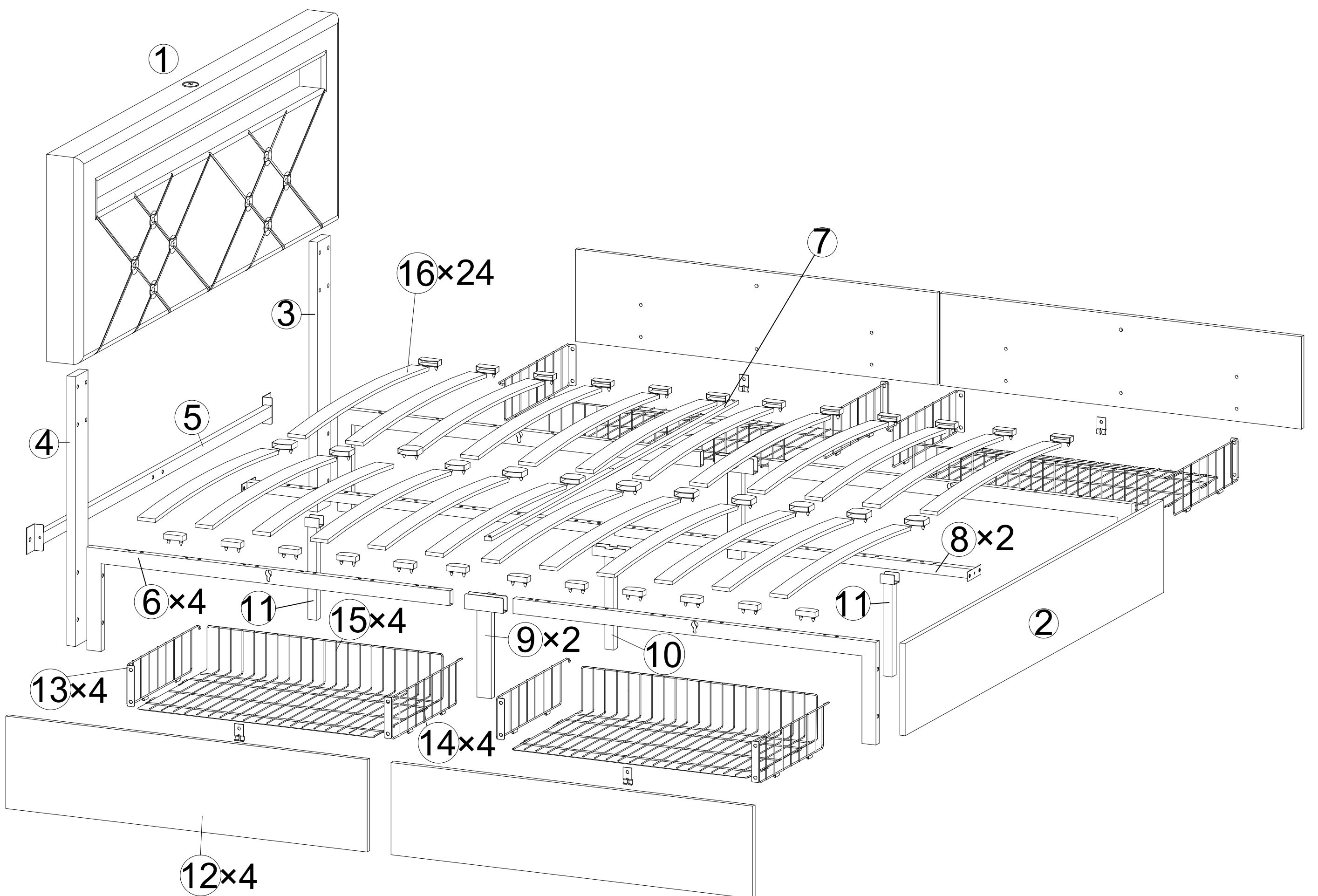
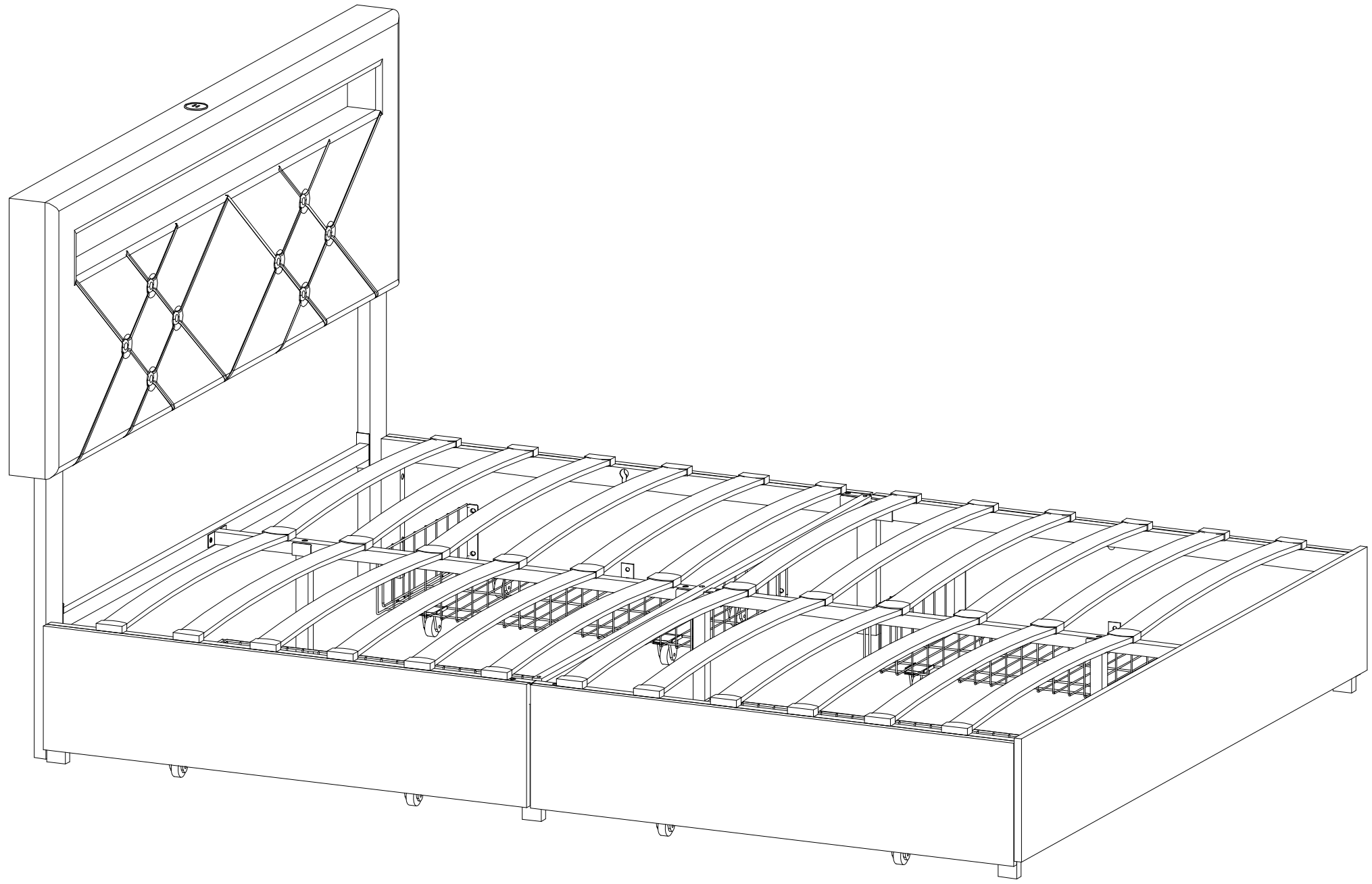
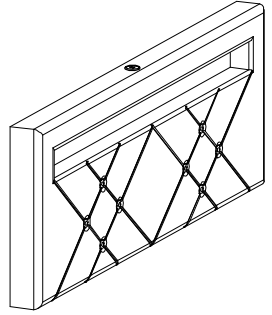
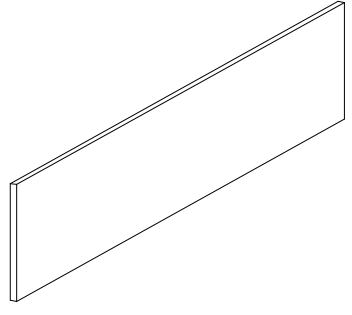
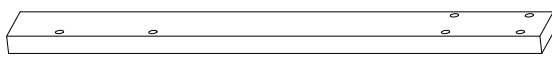
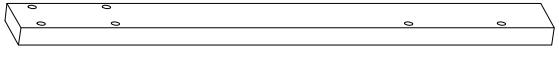
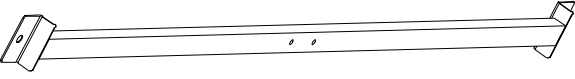
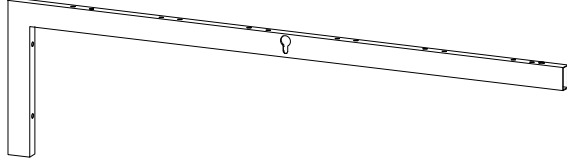
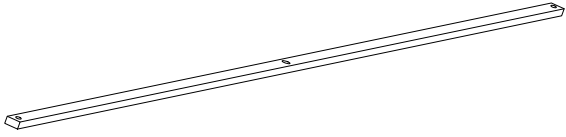
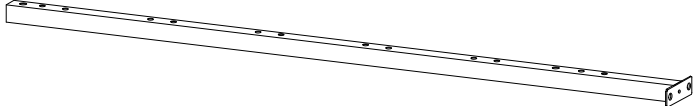
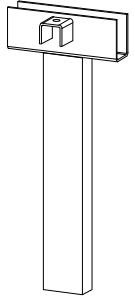
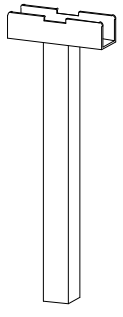
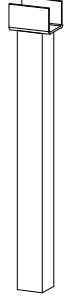
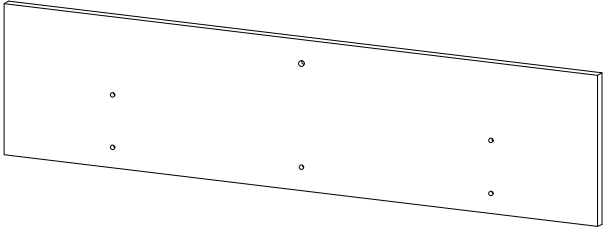
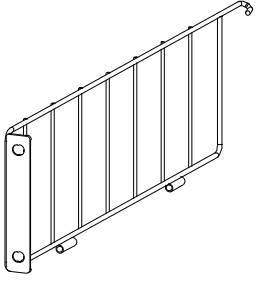
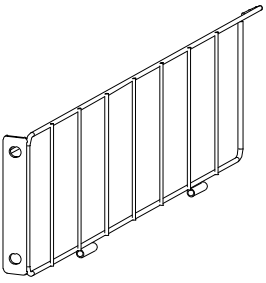
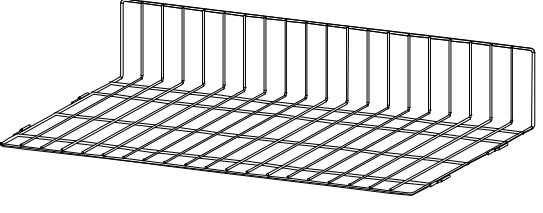
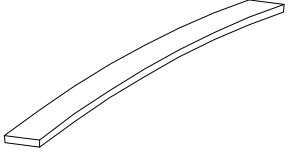


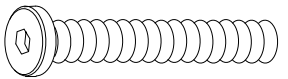
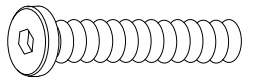
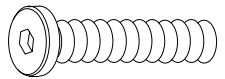
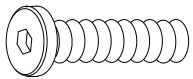
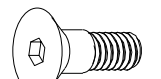
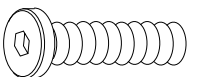

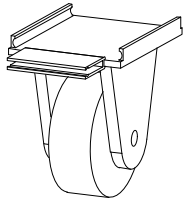
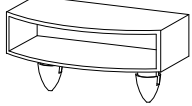
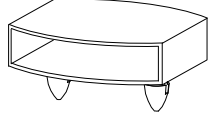
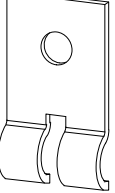
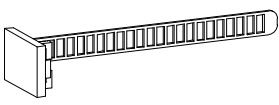
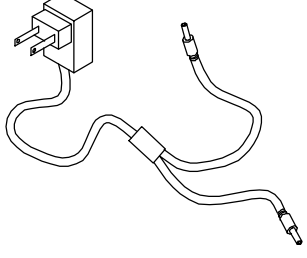
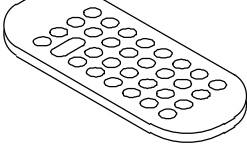


# Installation Manual



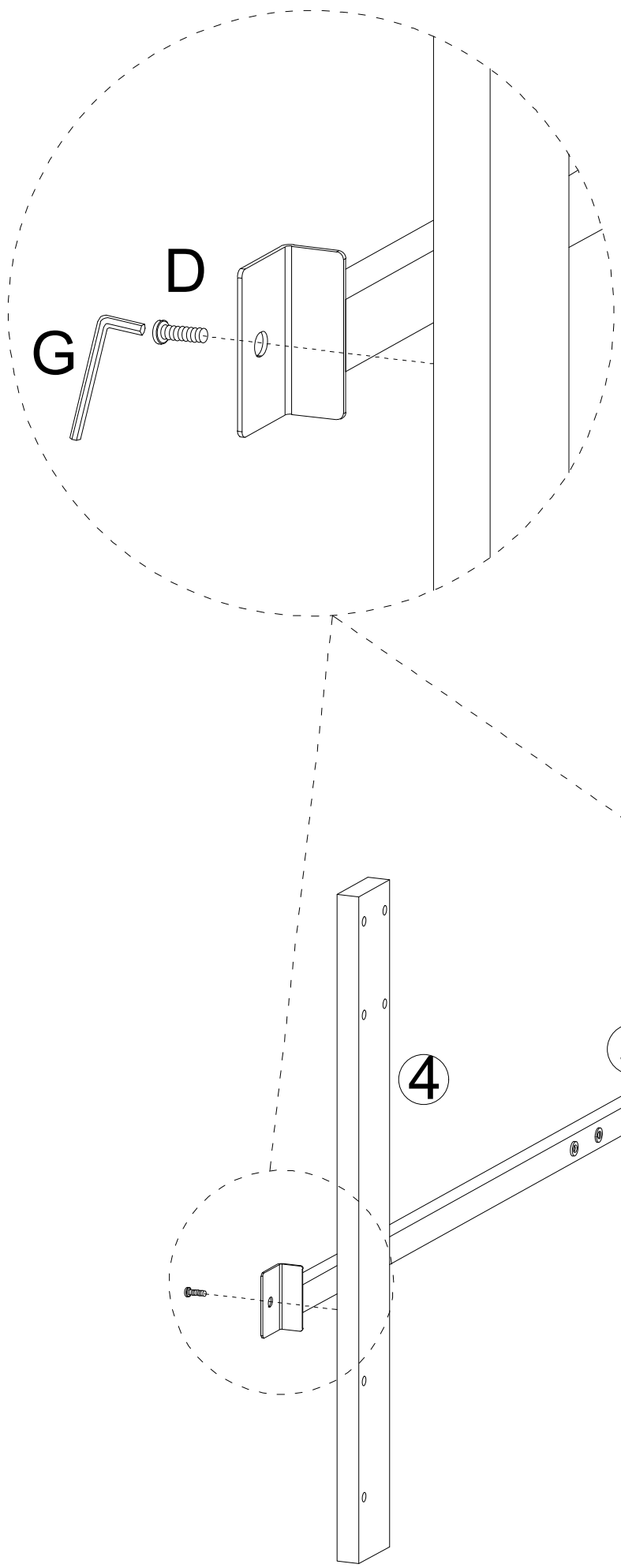
# Parts

			
① × 1pc	② × 1pc	③ × 1pc	④ × 1pc
			
⑤ × 1pc	⑥ × 4pcs	⑦ × 1pc	⑧ × 2pcs
			
⑨ × 2pcs	⑩ × 1pc	⑪ × 2pcs	⑫ × 4pcs
			
⑬ × 4pcs	⑭ × 4pcs	⑮ × 4pcs	⑯ × 24pcs

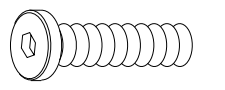
# Hardware

 M8×60mm	 M8×50mm	 M8×40mm	 M8×20mm	 M8×30mm
Ⓐ × 8pcs + 1pc	Ⓑ × 5pcs + 1pc	Ⓒ × 12pcs + 1pc	Ⓓ × 8pcs + 1pc	Ⓔ × 4pcs + 1pc
 M6×12mm				
Ⓕ × 20pcs + 2pcs	Ⓖ × 1pc	Ⓗ × 16pcs	Ⓘ × 24pcs + 2pcs	Ⓝ × 12pcs + 1pc
				 M3.5×10mm
Ⓚ × 4pcs + 1pc	Ⓛ × 4pcs + 1pc	Ⓜ × 1pc	Ⓝ × 1pc	Ⓞ × 4pcs + 1pc
				
Ⓟ × 1pc				

1



Note: For easy setup intention,  
do not tighten screws during  
the installation process

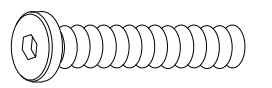


M8x20mm

D x 2pcs

2

The head of the bed ① height can be  
adjusted according to your preference!

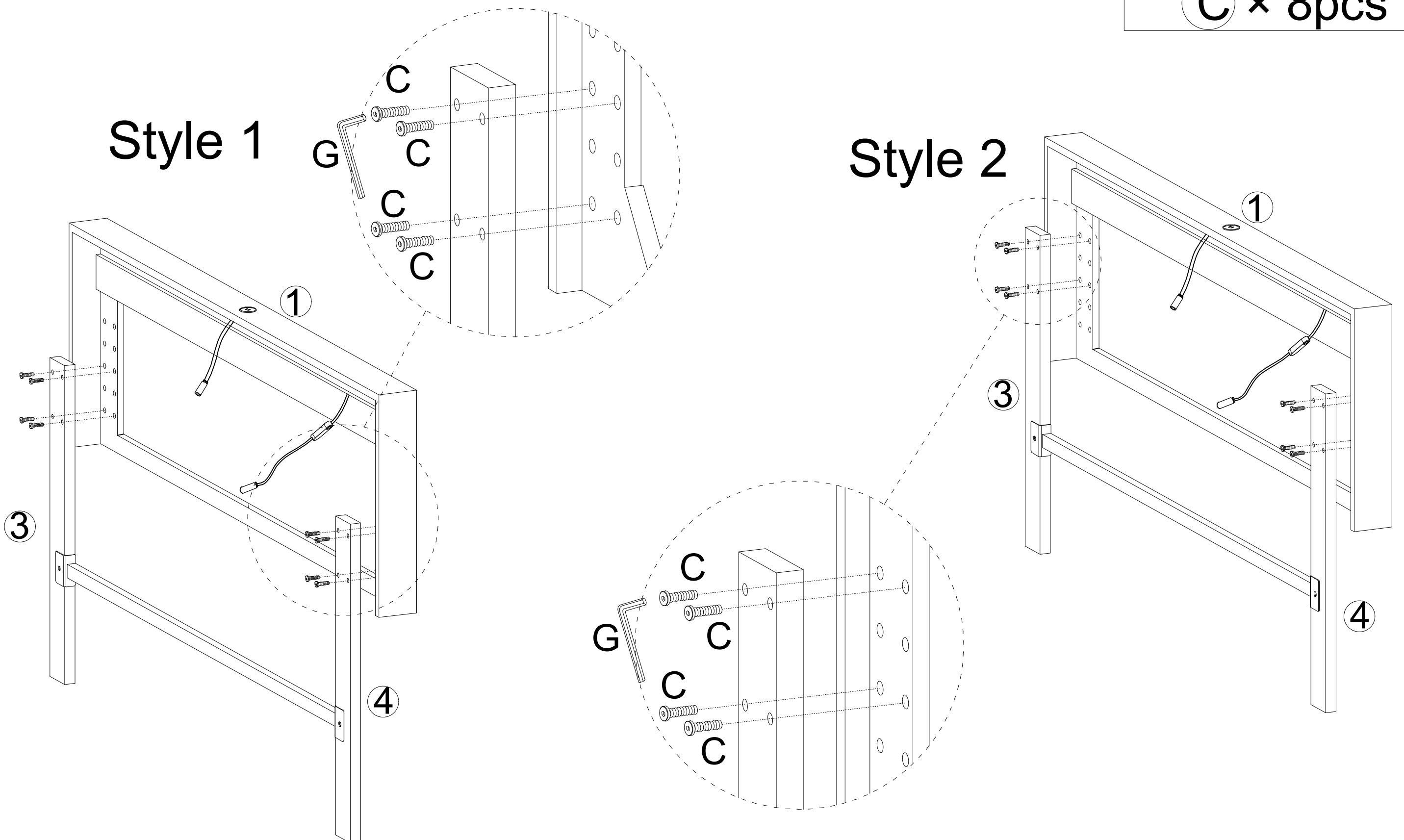


M8x40mm

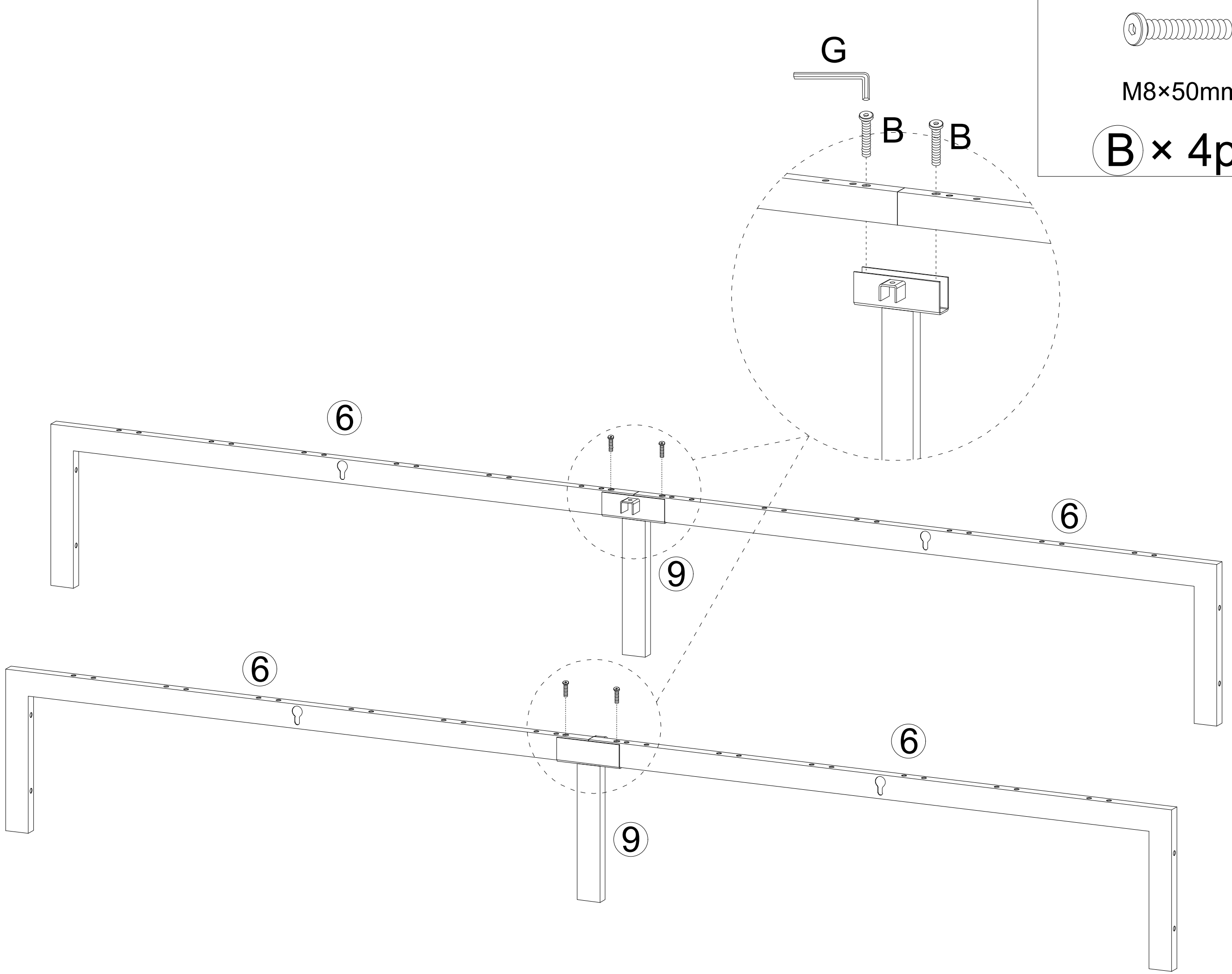
C x 8pcs

Style 1

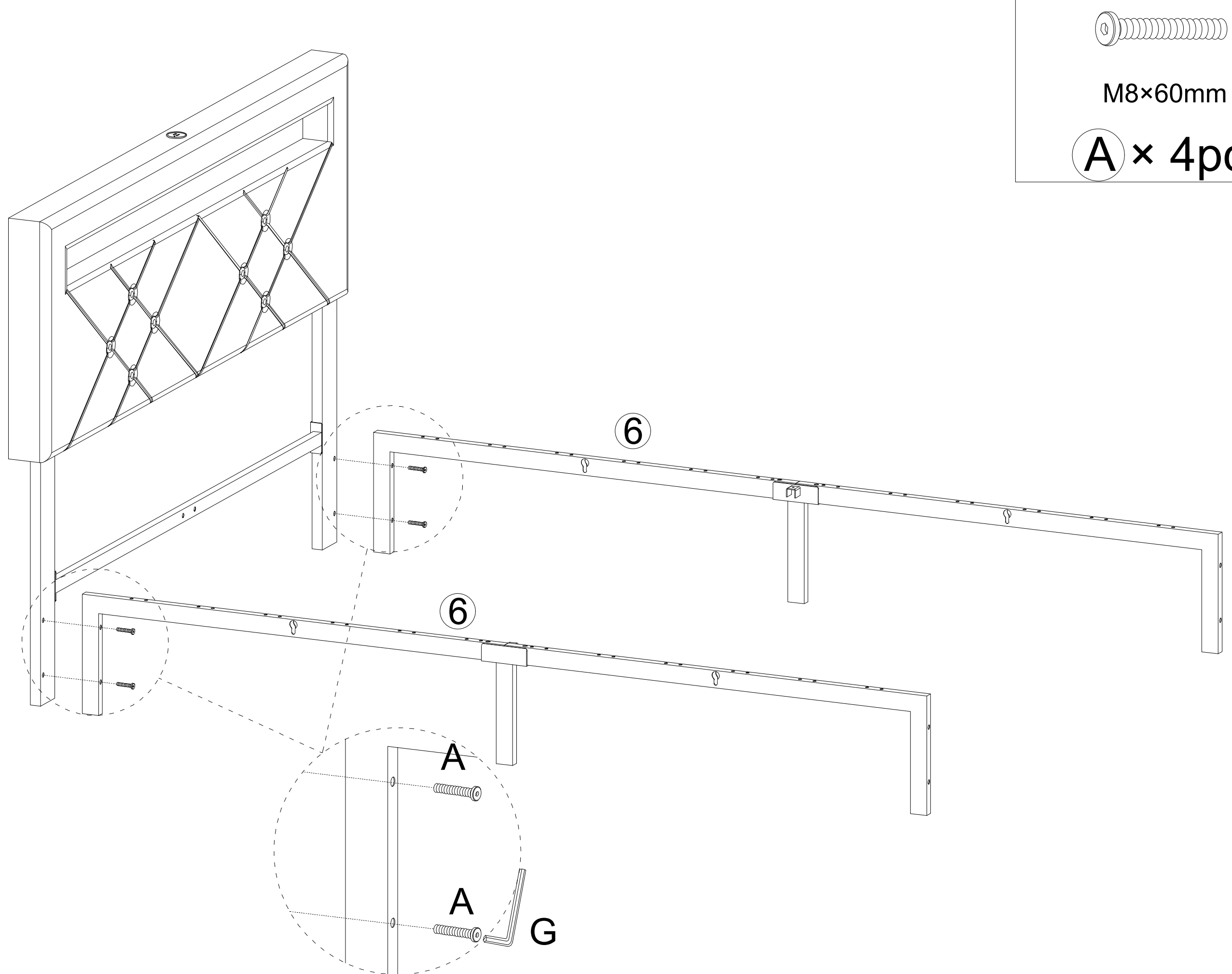
Style 2



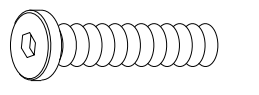
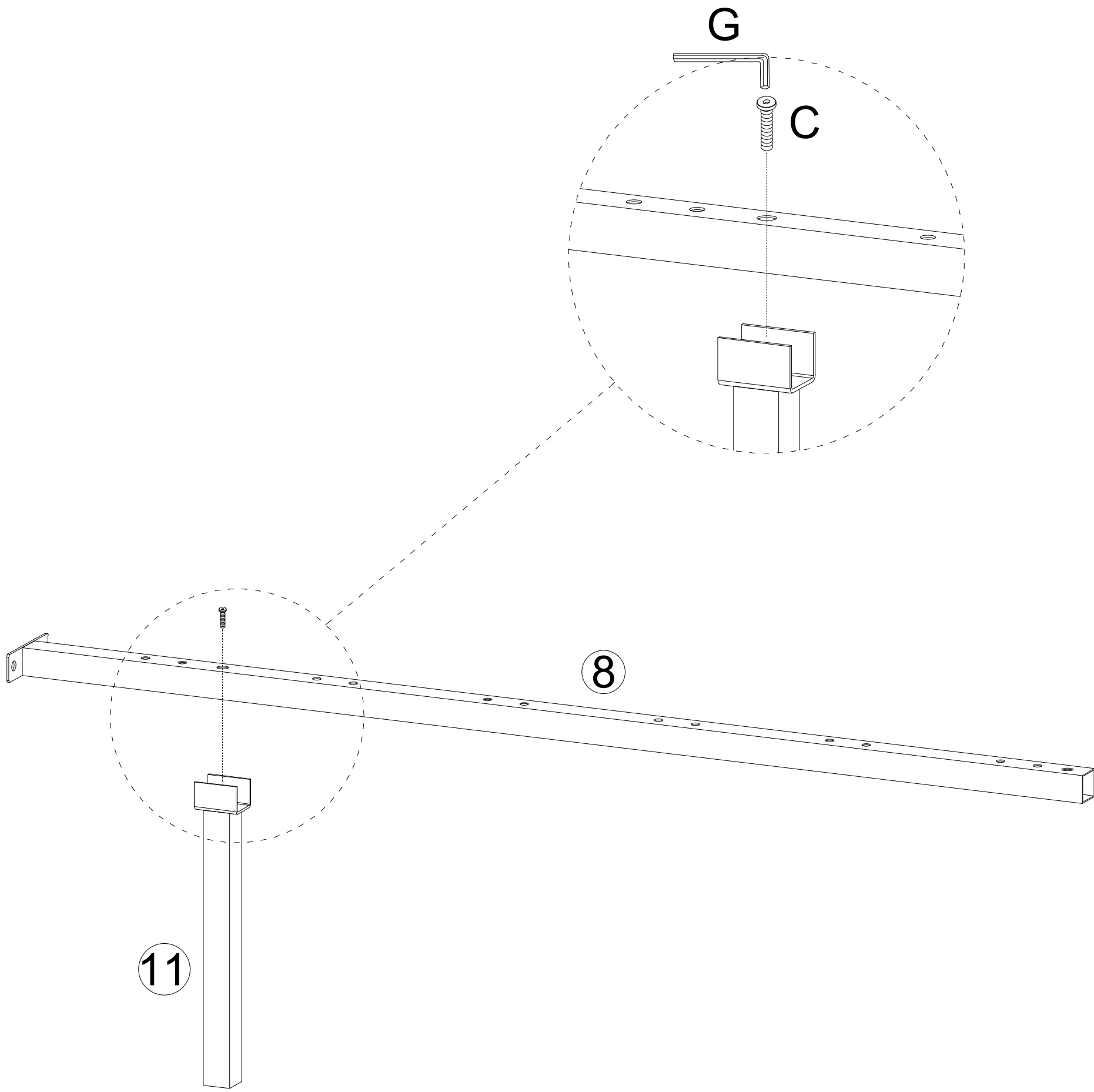
3



4



5

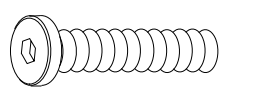
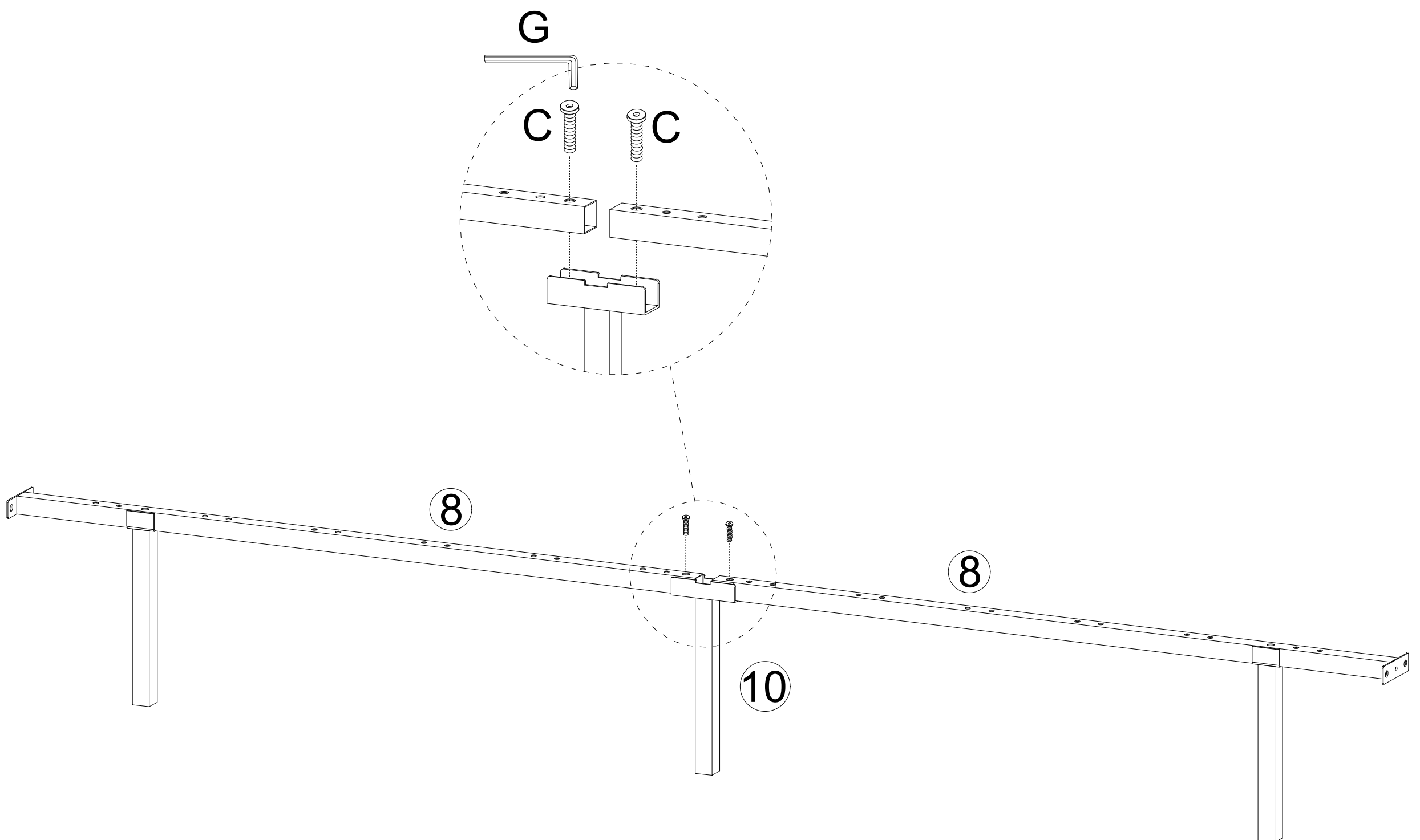


M8x40mm

C × 2pcs

×2

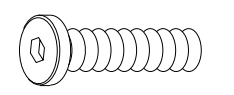
6



M8x40mm

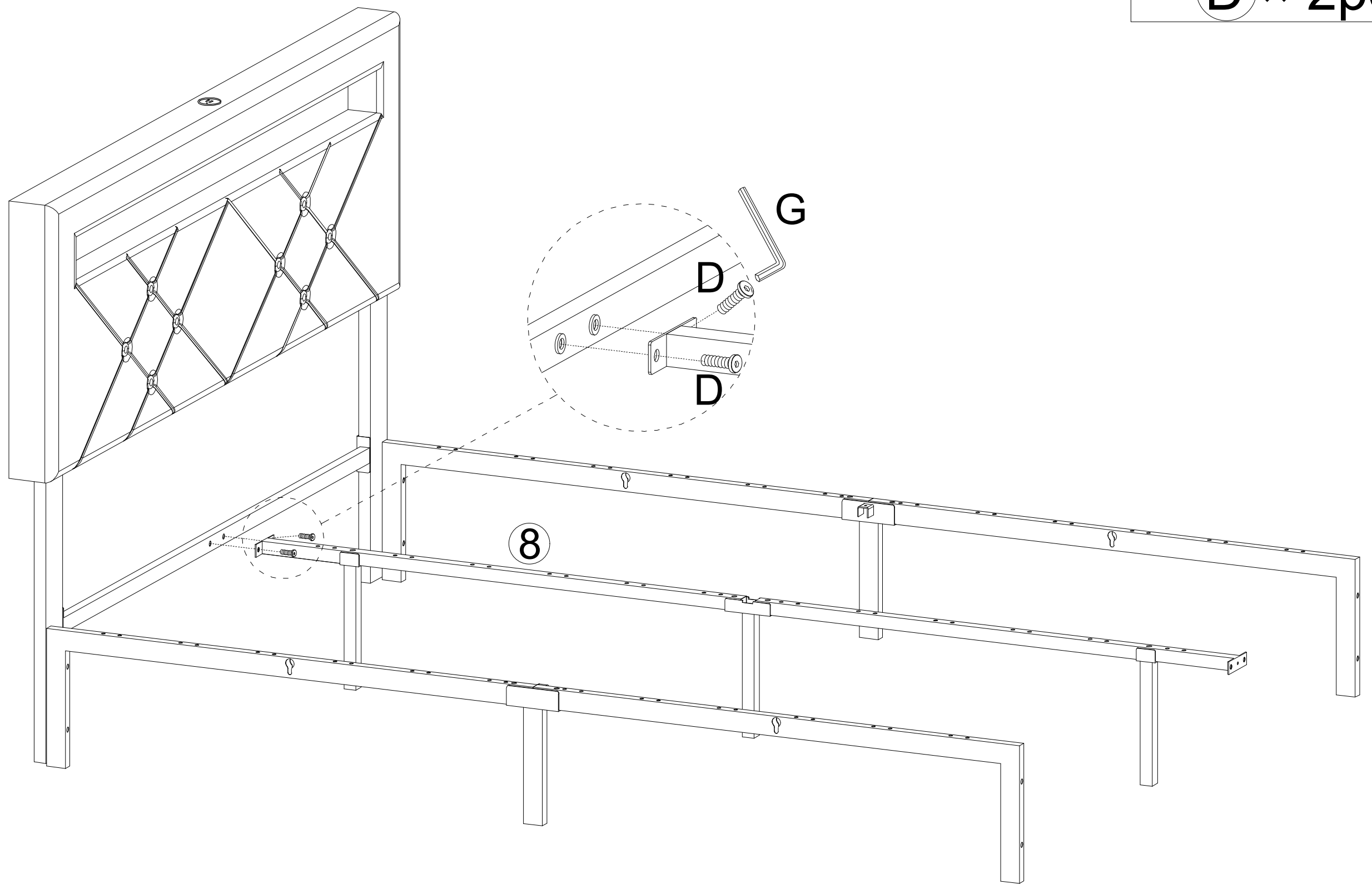
C × 2pcs

7

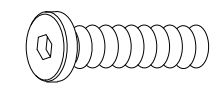


M8x20mm

D x 2pcs

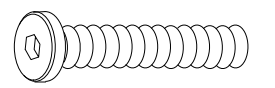


8



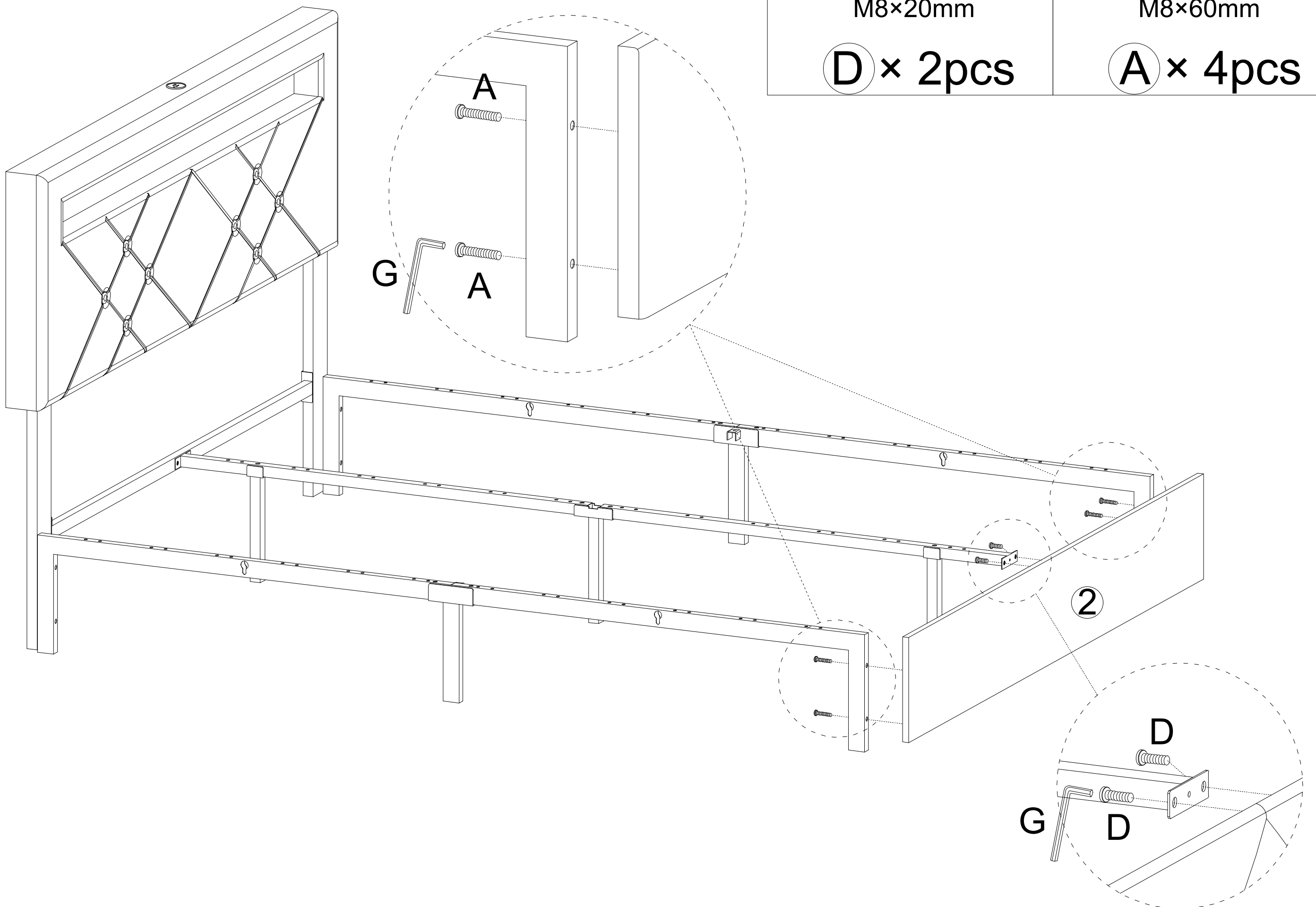
M8x20mm

D x 2pcs

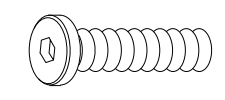
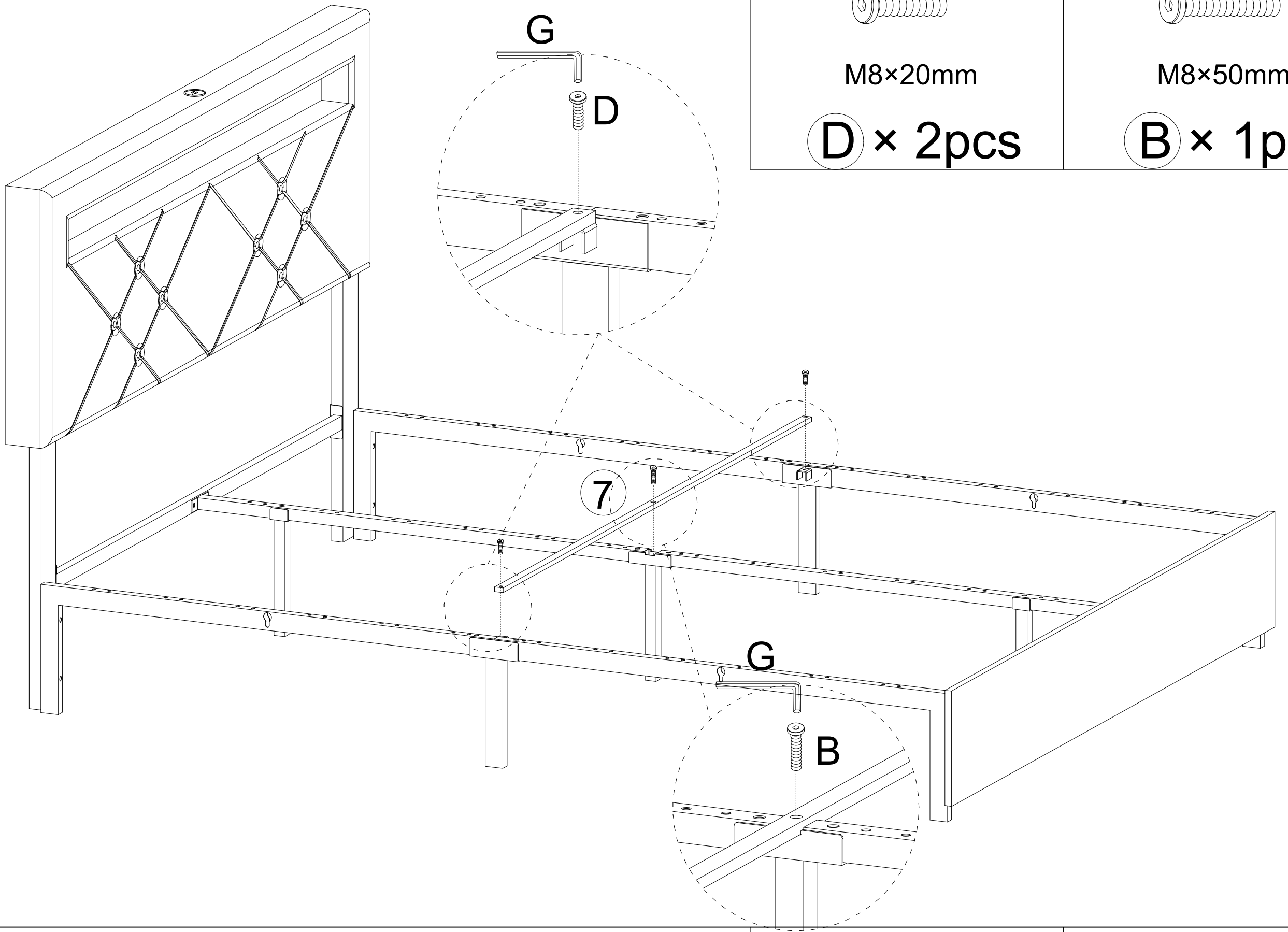


M8x60mm

A x 4pcs

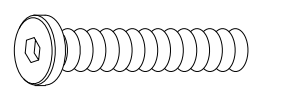


9



M8×20mm

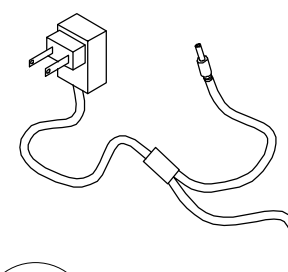
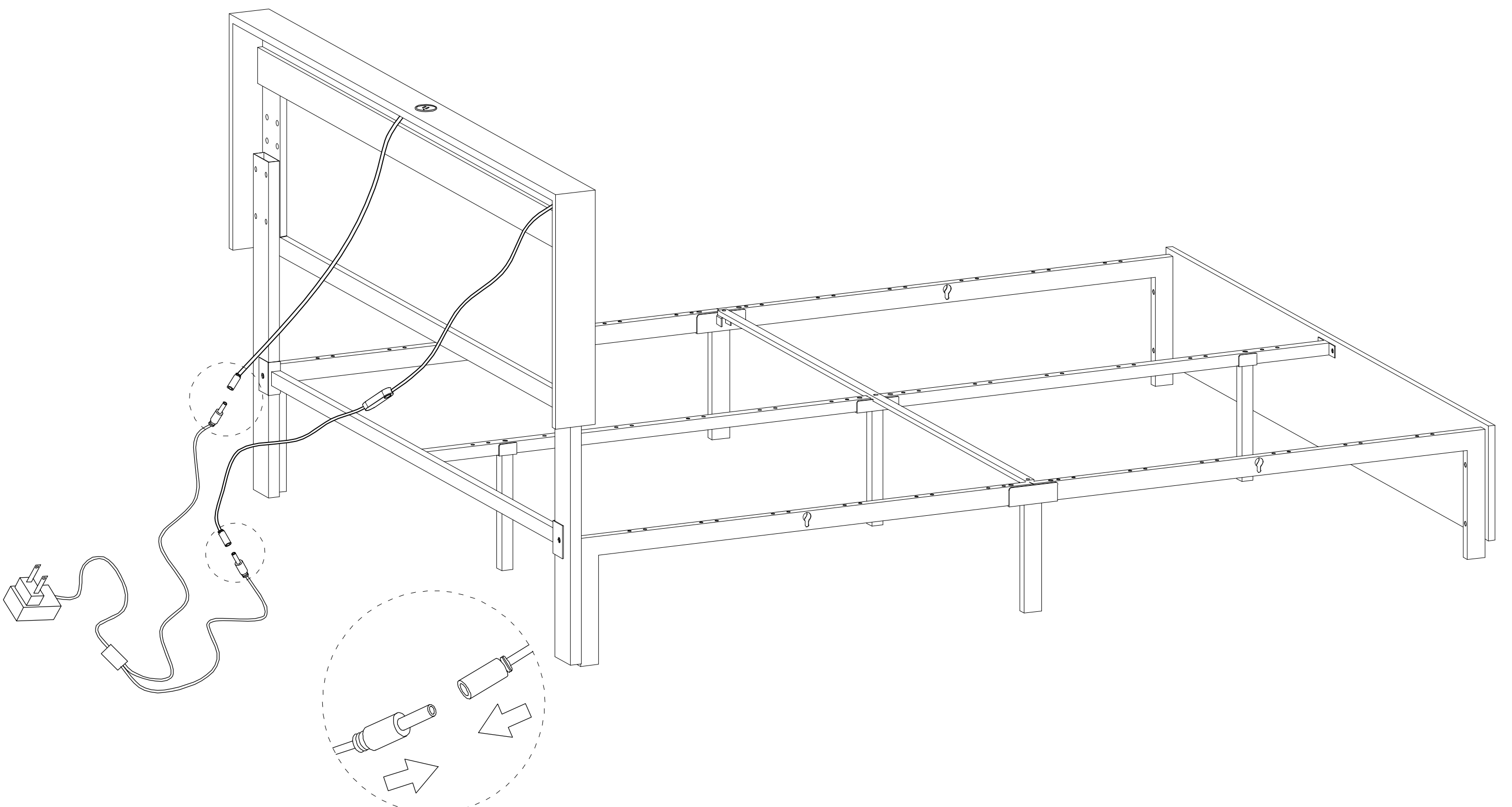
D × 2pcs



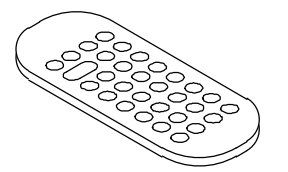
M8×50mm

B × 1pc

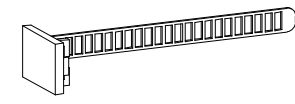
10



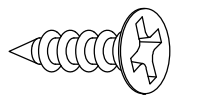
M × 1pc



N × 1pc

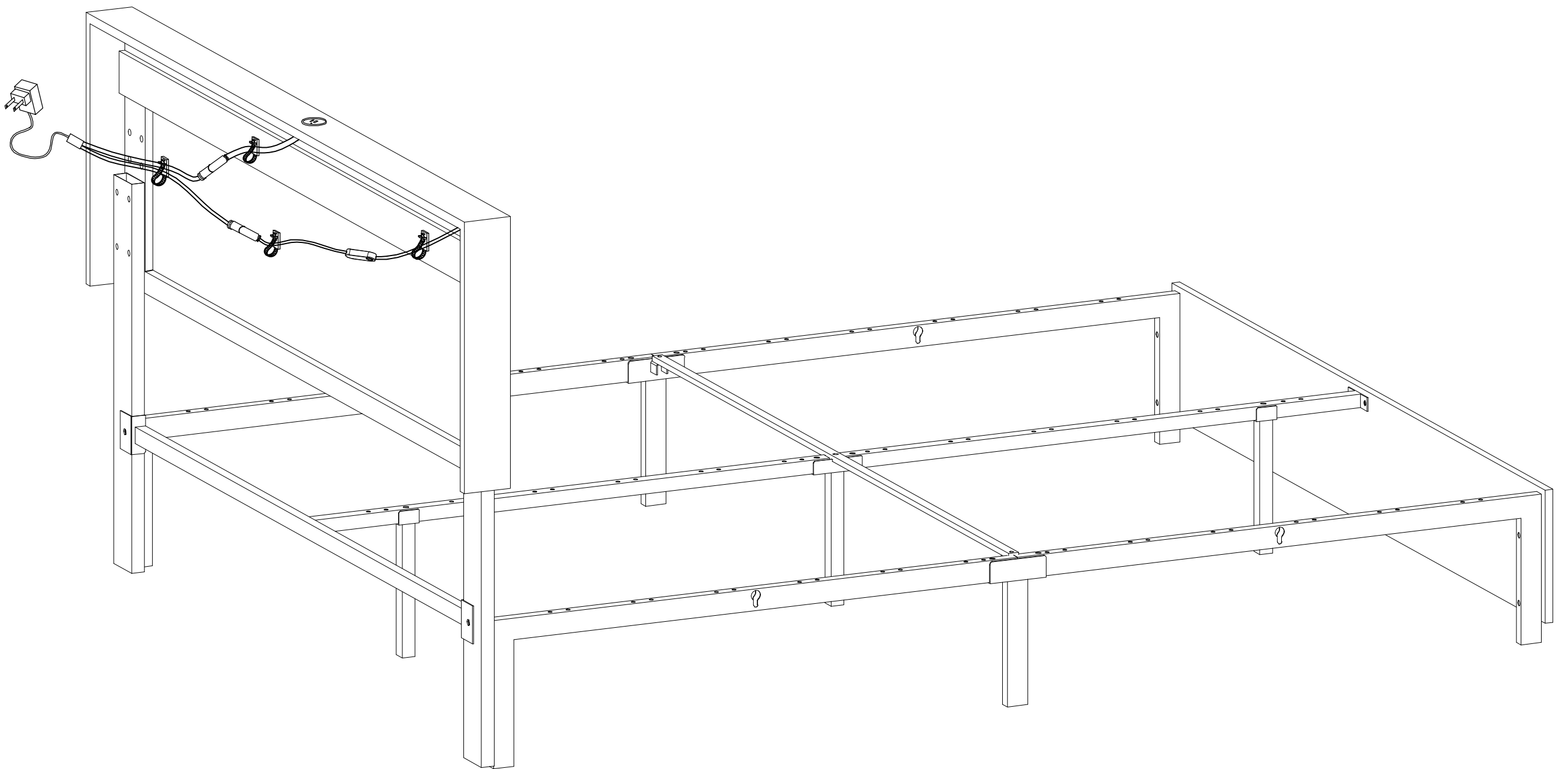
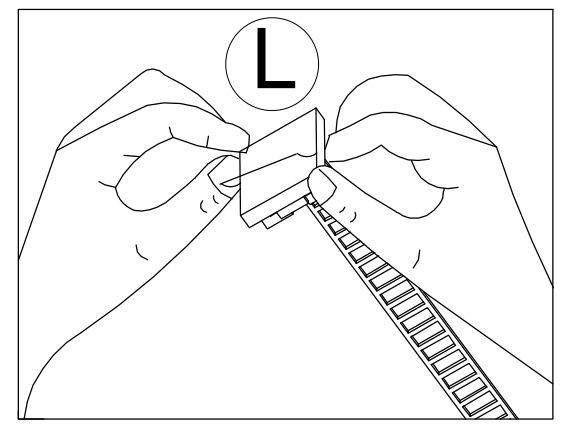
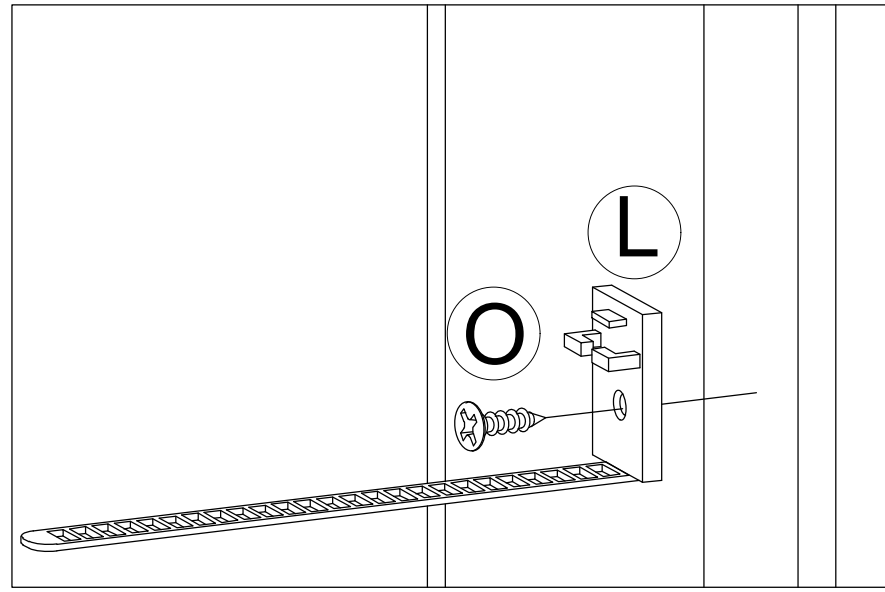
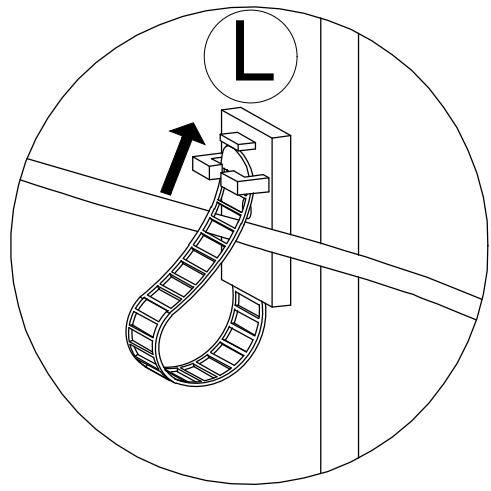


L × 4pcs



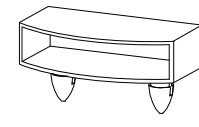
M3.5×10mm

O × 4pcs

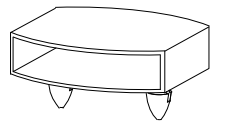


# 12

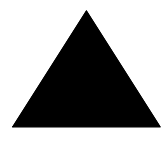
## SLAT WARNING



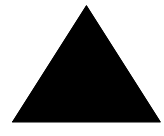
I × 24pcs



J × 12pcs

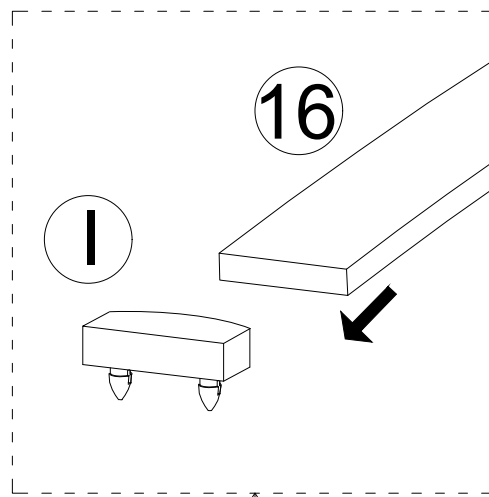


Correct: Slat curve should be facing upwards.

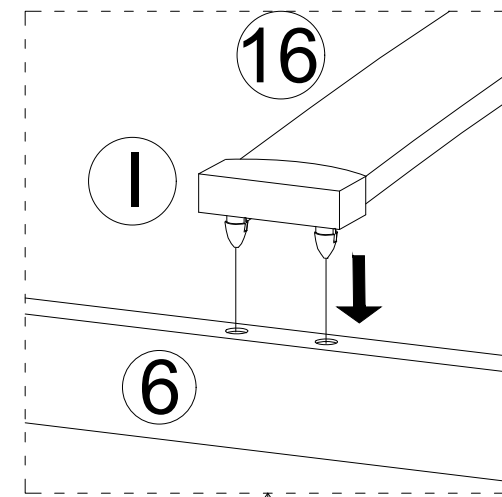


Incorrect: Slat curve facing downwards.

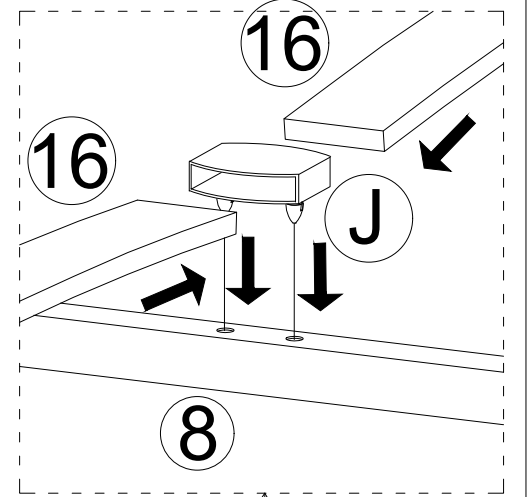
Step 10. 1



Step 10. 2



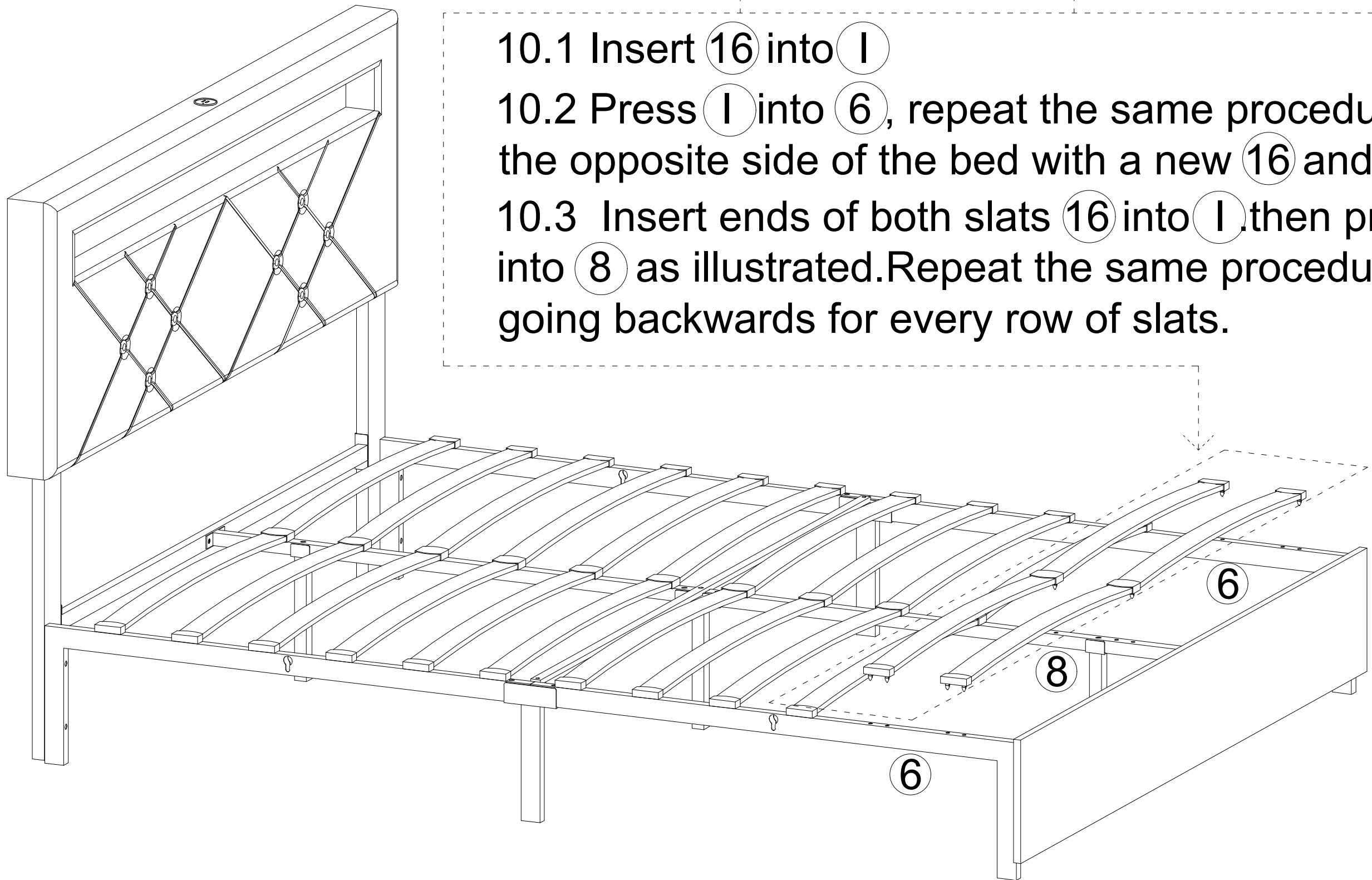
Step 10. 3



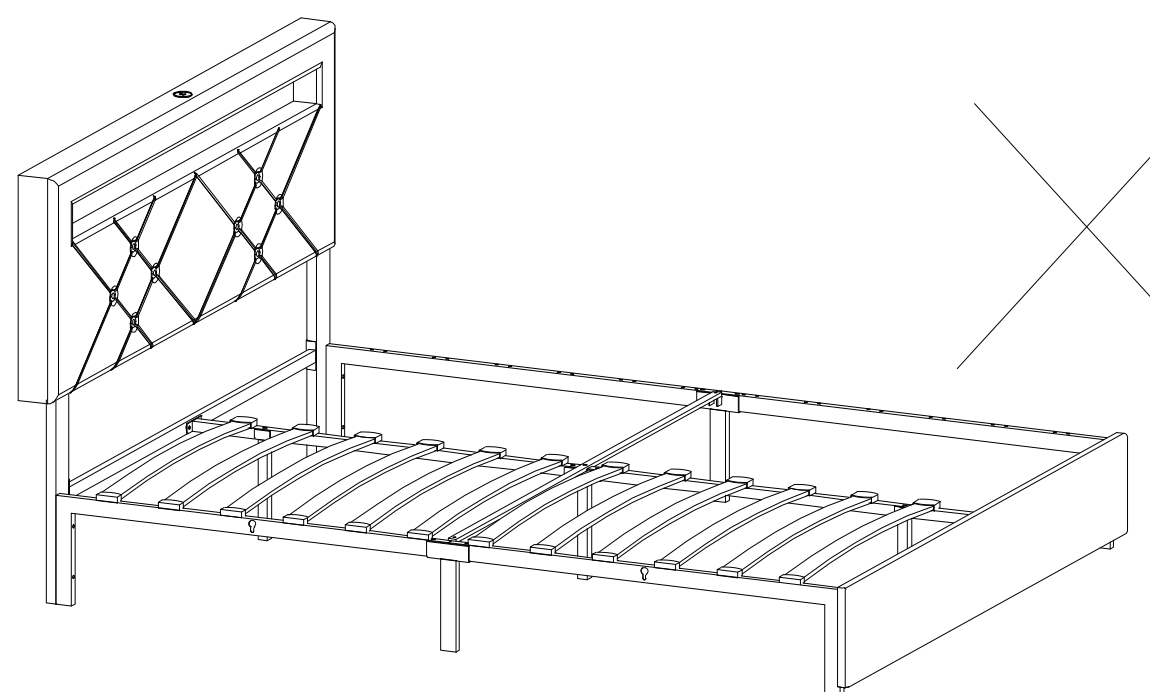
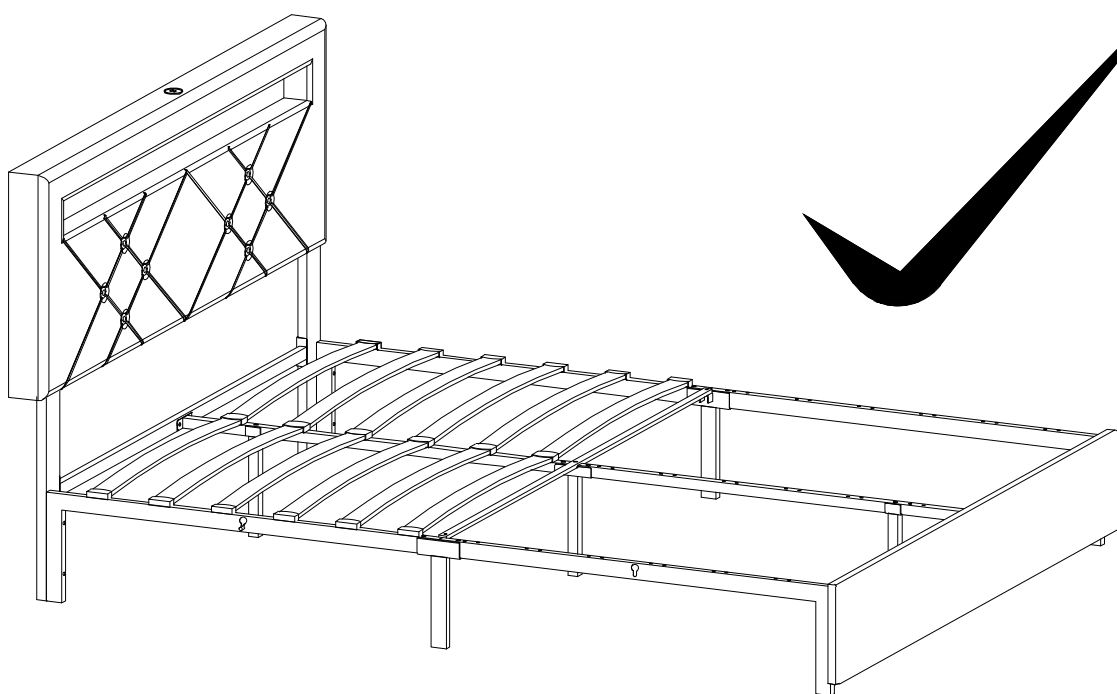
10.1 Insert 16 into I

10.2 Press I into 6, repeat the same procedure for the opposite side of the bed with a new 16 and I

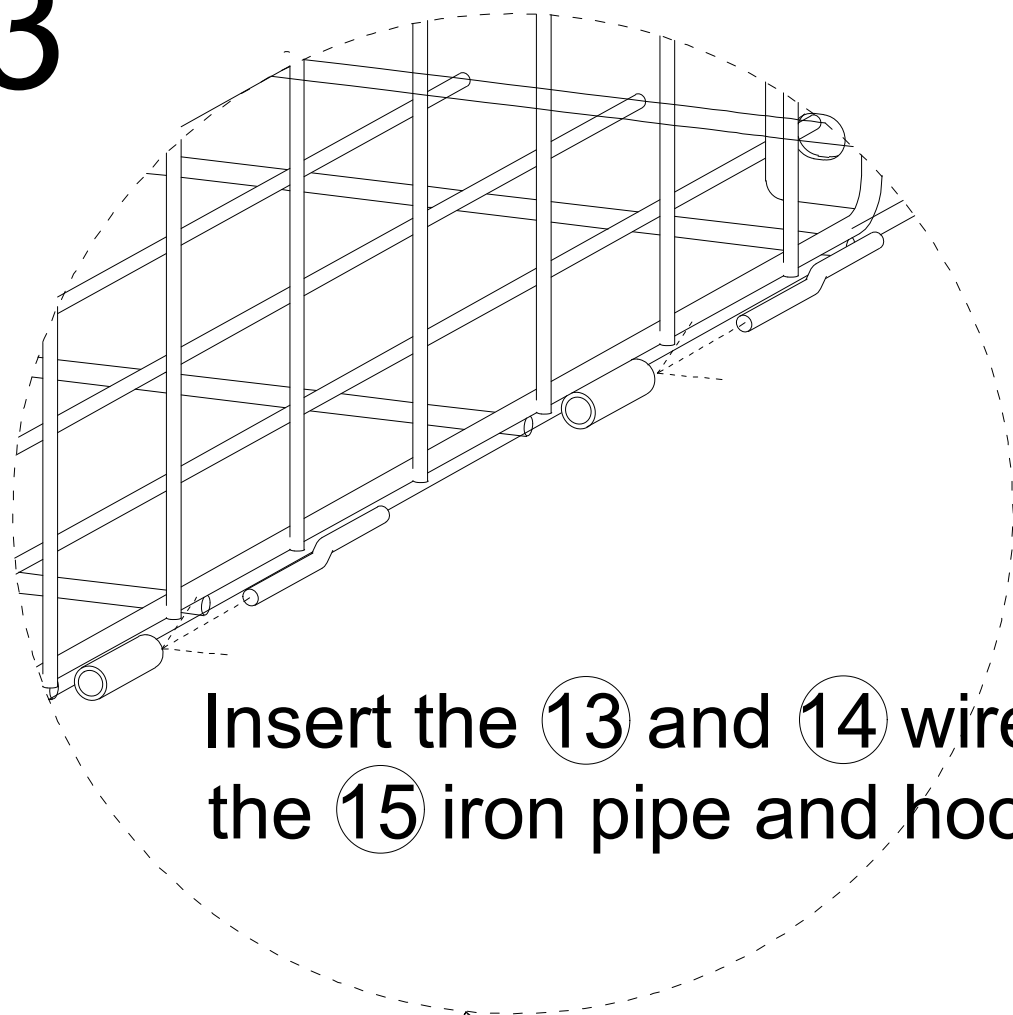
10.3 Insert ends of both slats 16 into I, then press J into 8 as illustrated. Repeat the same procedures going backwards for every row of slats.



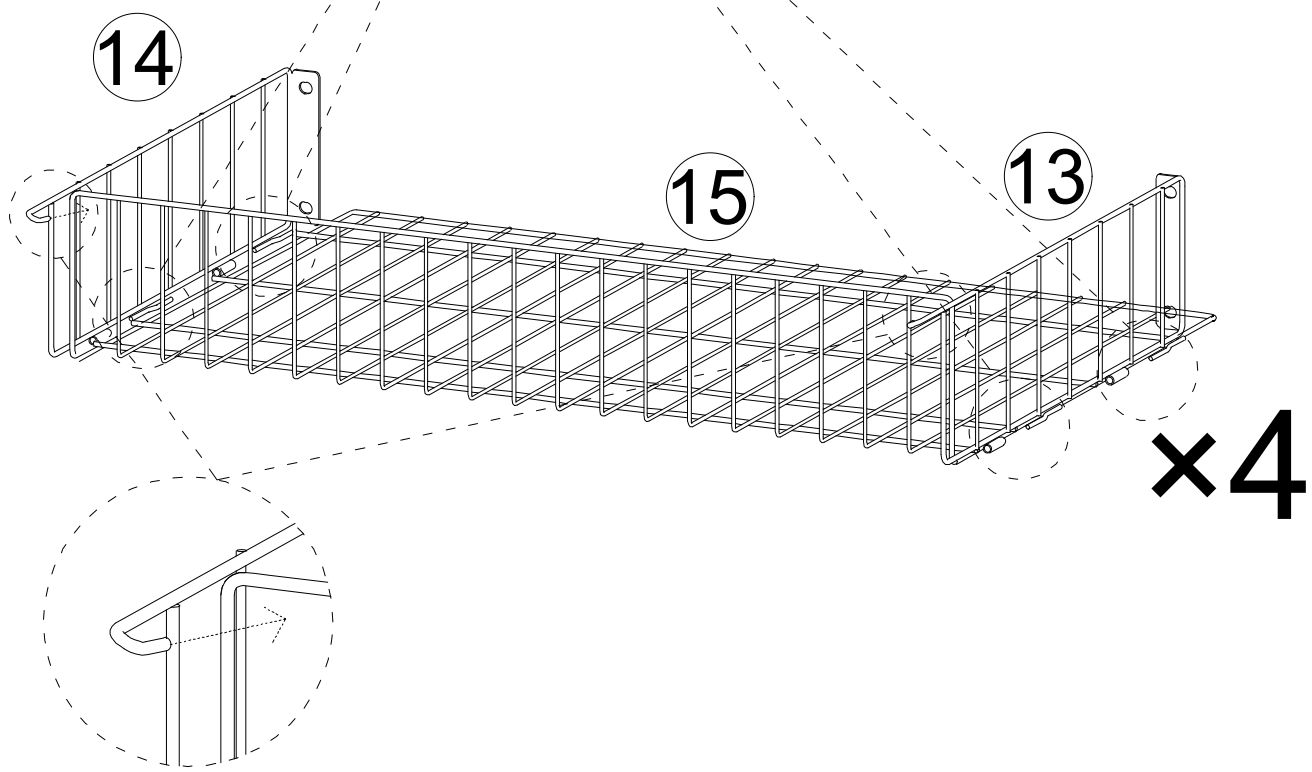
Note: After assembling part 16, 100% lock all screws



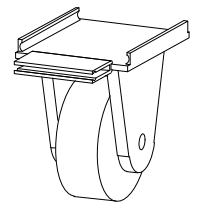
# 13



Insert the ⑬ and ⑭ wires into the ⑮ iron pipe and hook the tail

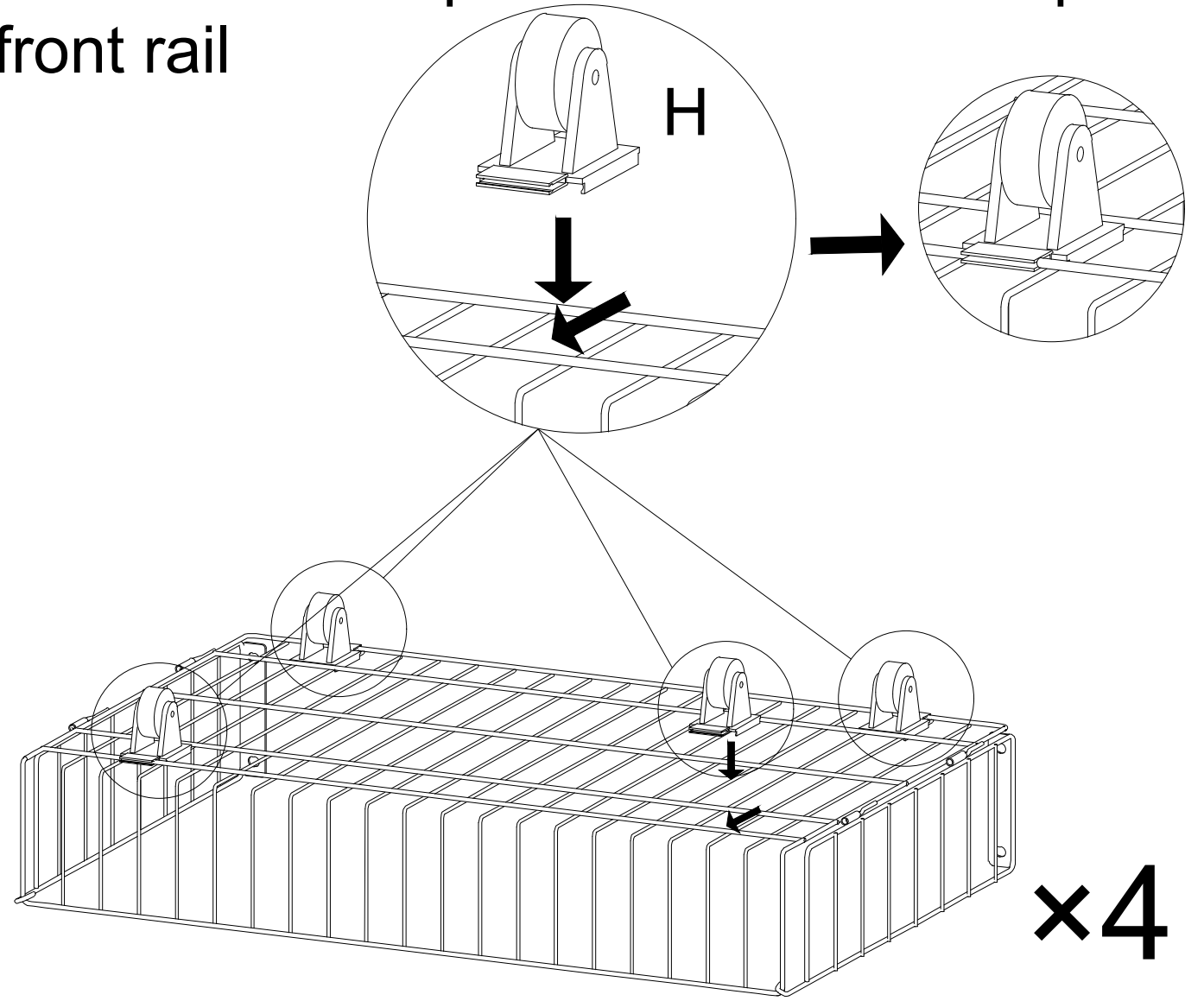


# 14

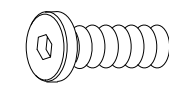


⑨ × 16pcs

Put the wheel down into the bottom rail of the basket and push forward to clamp the front rail

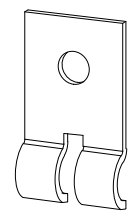


# 15

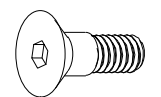


M6×12mm

⑩ × 20pcs



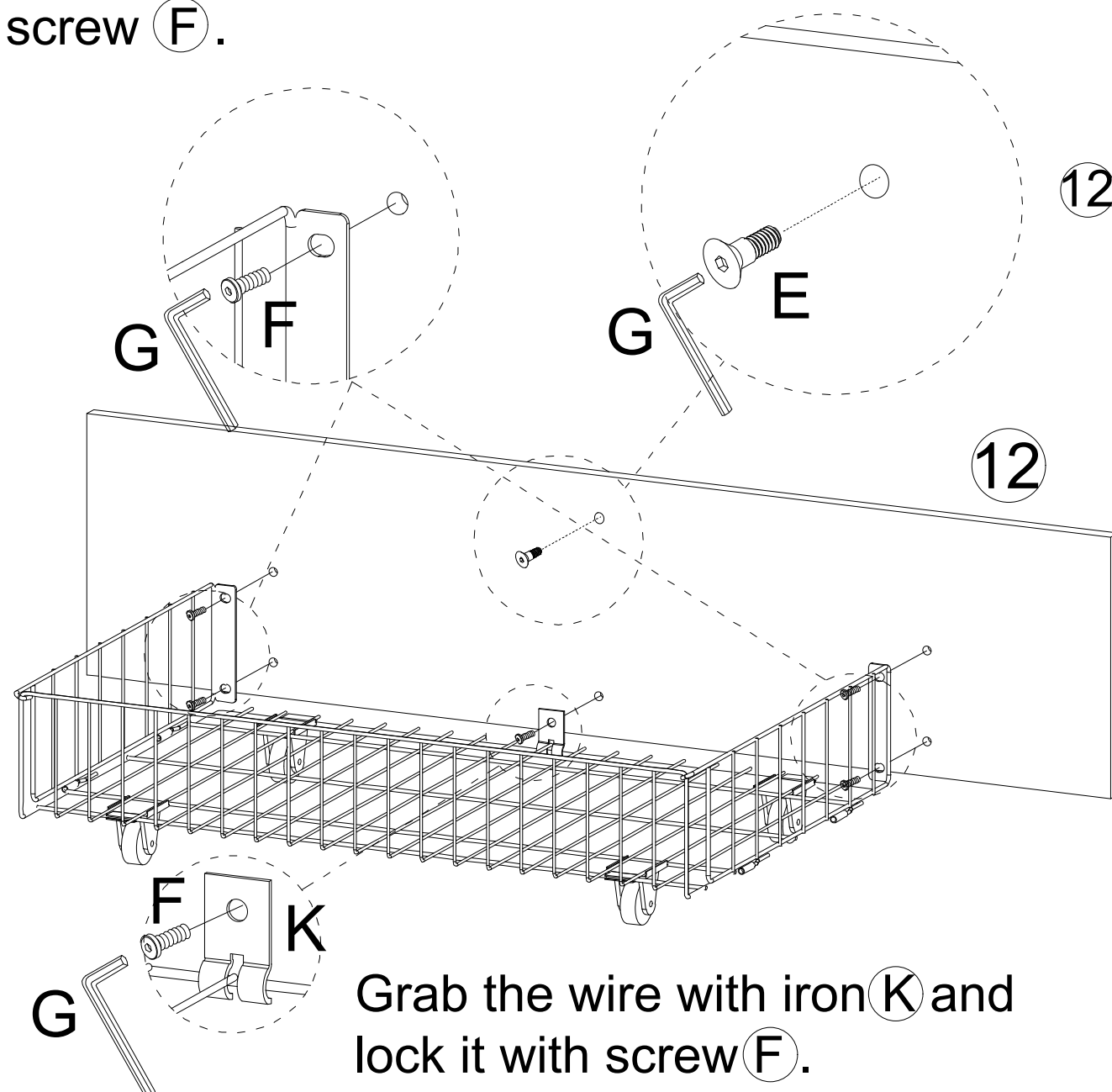
⑪ × 4pcs



M8×30mm

⑫ × 4pcs

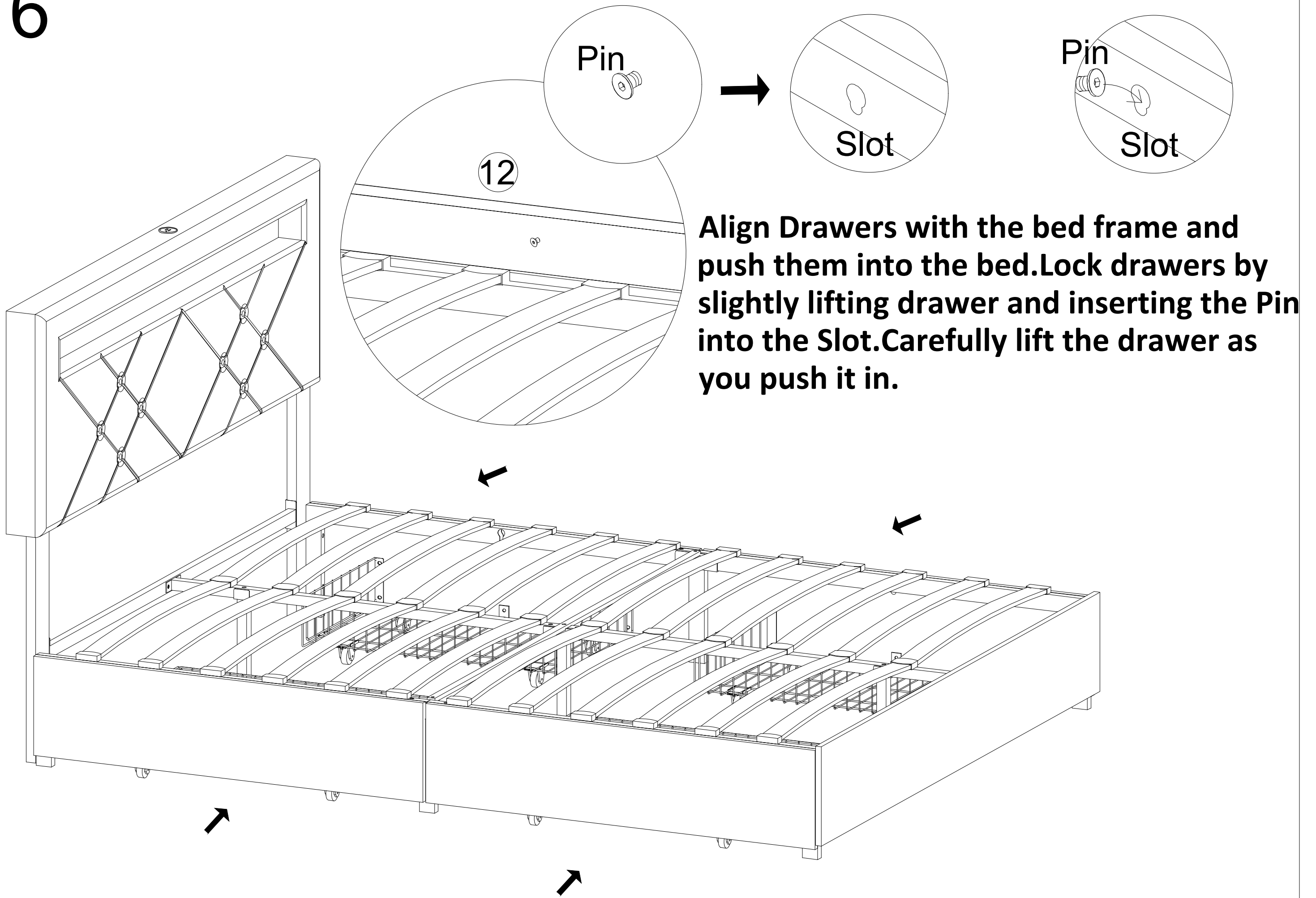
Lock parts ⑫, ⑬, and ⑭ with screw ⑩.



⑫ Lock the ⑩ screw.

Grab the wire with iron ⑫ and lock it with screw ⑩.

# 16



# 17

