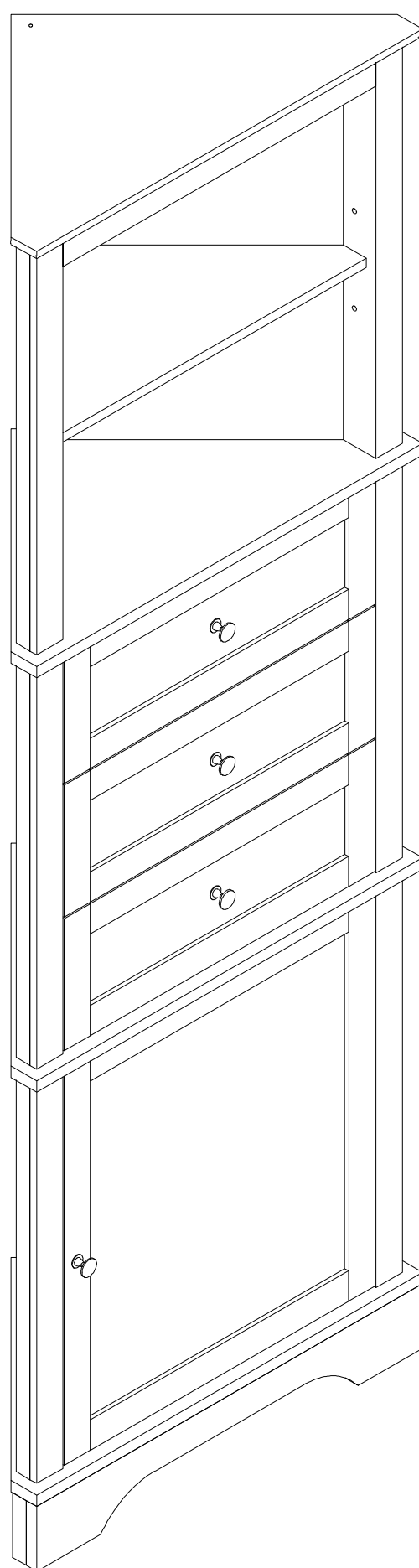
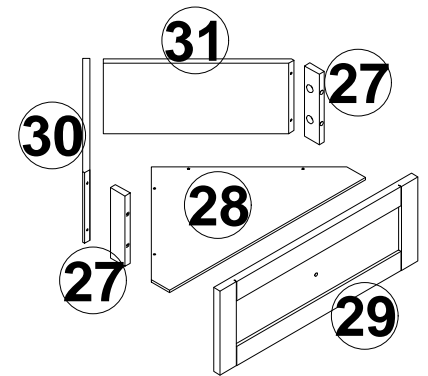
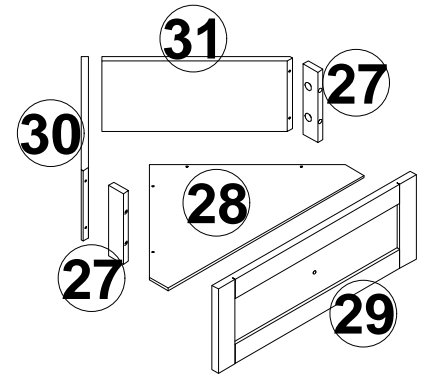
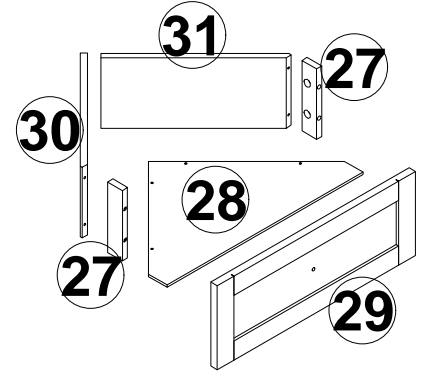
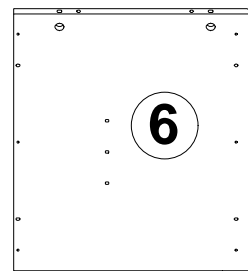
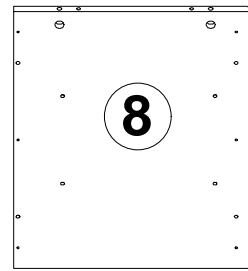
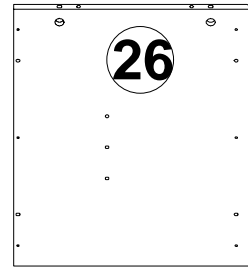
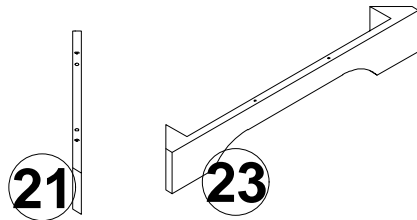
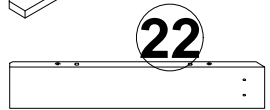
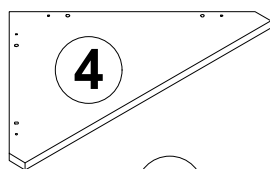
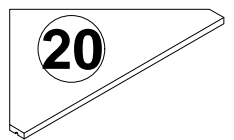
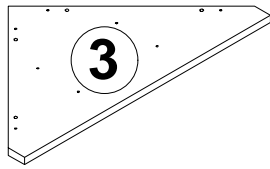
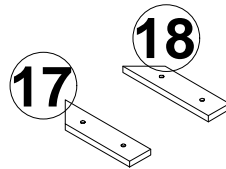
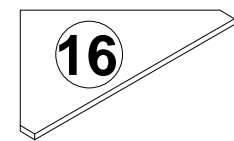
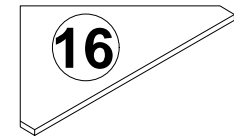
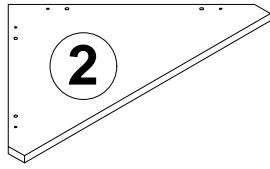
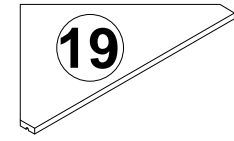
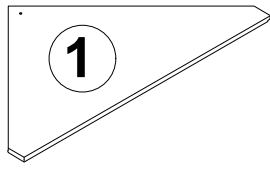
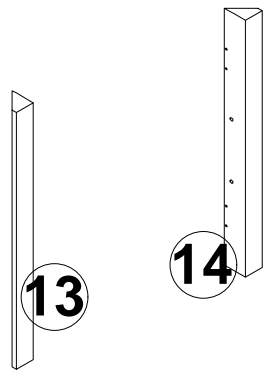
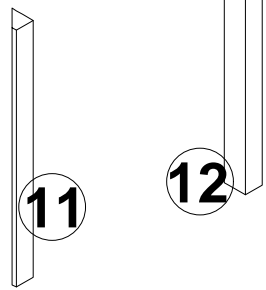
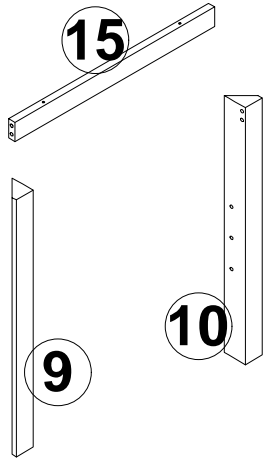
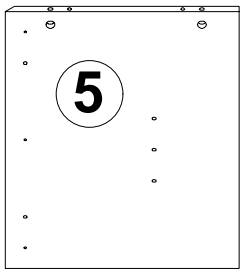
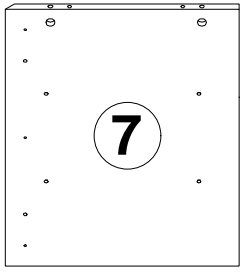
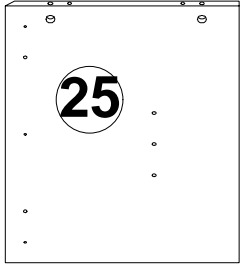
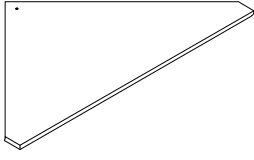
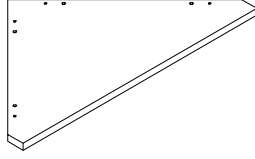
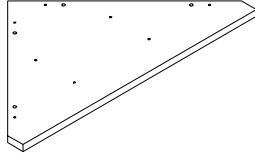
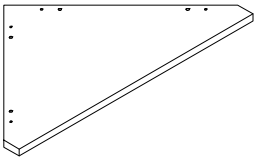
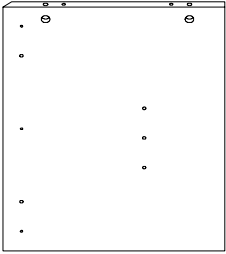
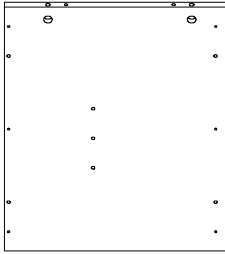
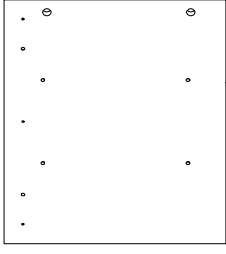
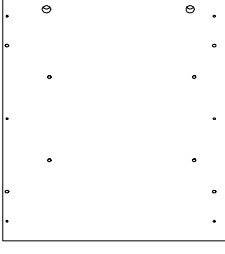






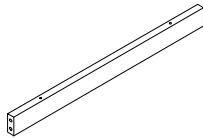
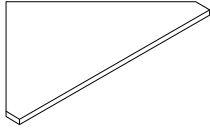
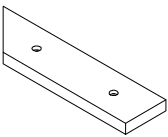
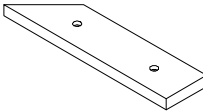
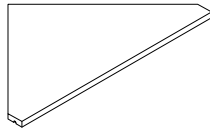
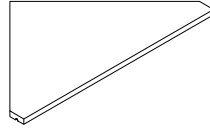

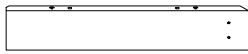
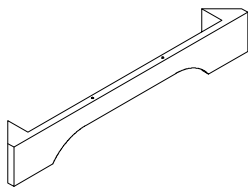
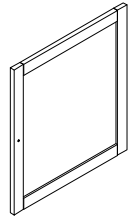
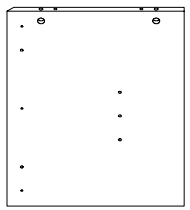
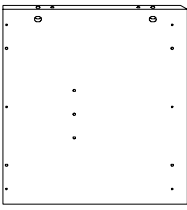

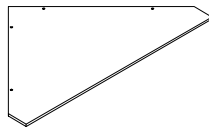
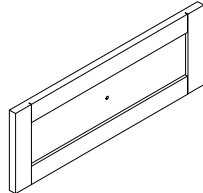

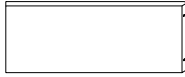
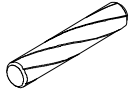
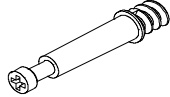

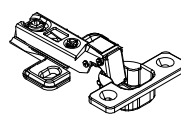
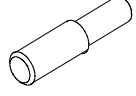
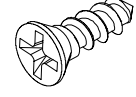

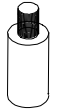
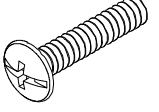

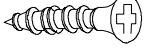
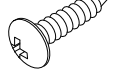
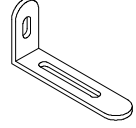
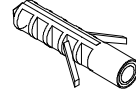
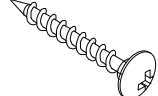
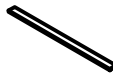


ASSEMBLY INSRTRUCTION

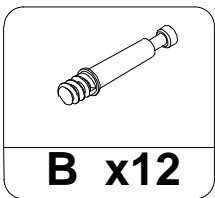
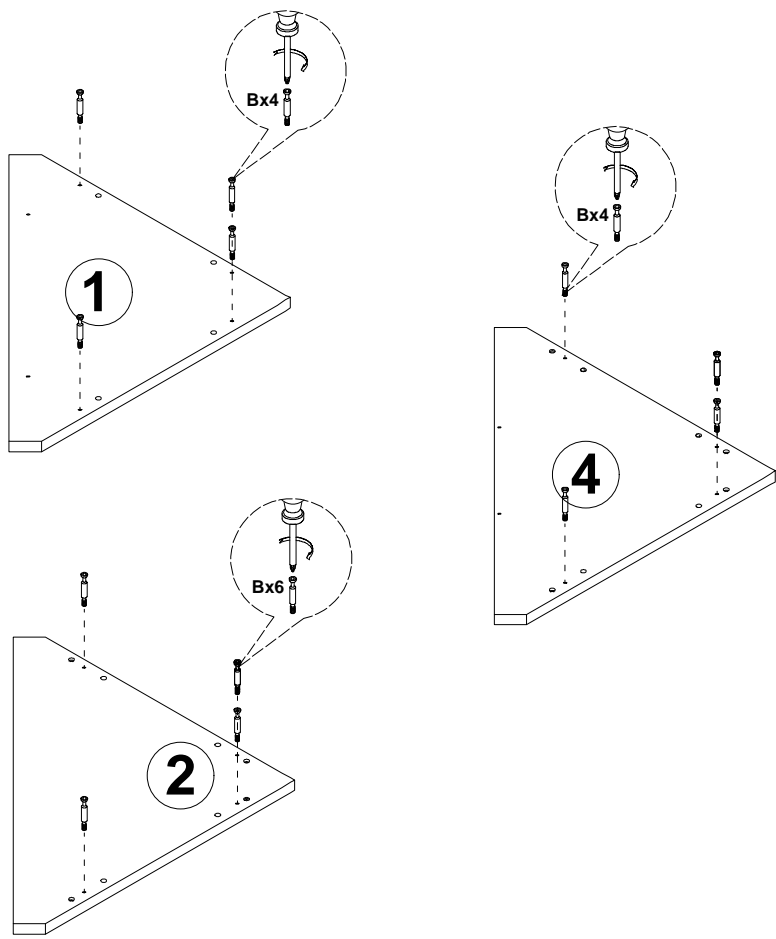




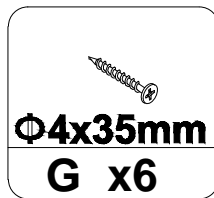
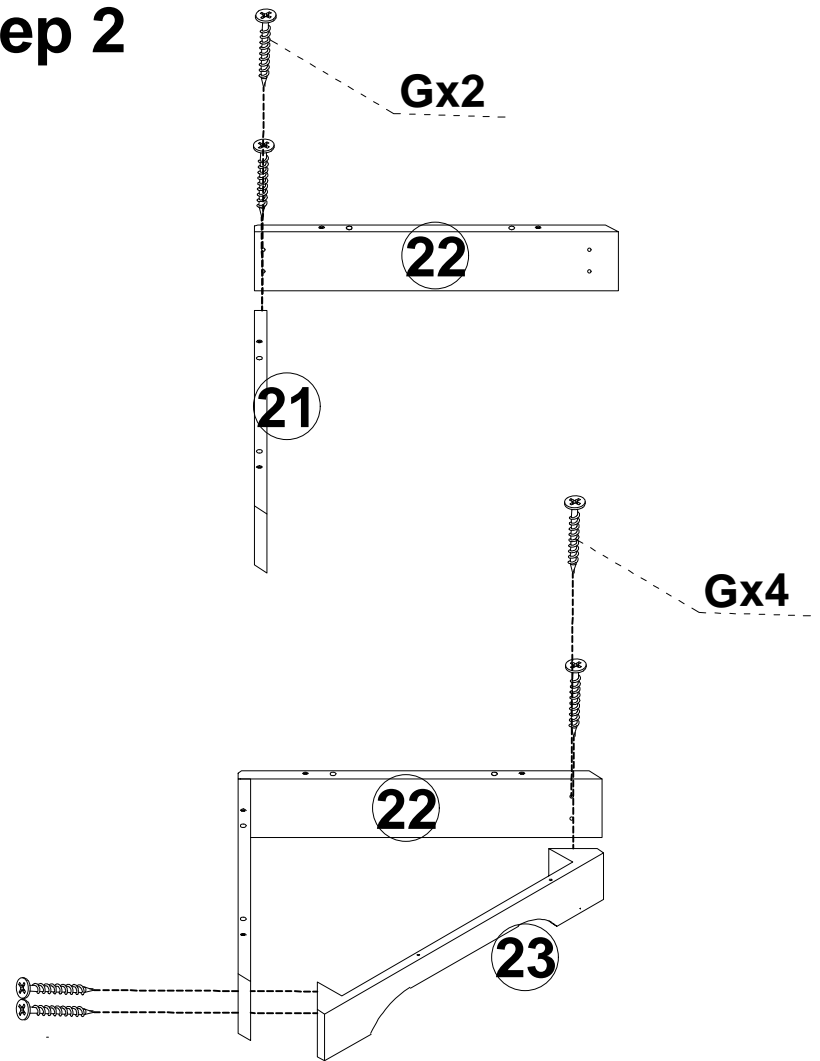
			
① x 1	② x 1	③ x 1	④ x 1
			
⑤ x 1	⑥ x 1	⑦ x 1	⑧ x 1
			
⑨ x 1	⑩ x 1	⑪ x 1	⑫ x 1
			
⑬ x 1	⑭ x 1	⑮ x 1	⑯ x 2
			
⑰ x 1	⑱ x 1	⑲ x 1	⑳ x 1
			
㉑ x 1	㉒ x 1	㉓ x 1	㉔ x 1
			
㉕ x 1	㉖ x 1	㉗ x 6	㉘ x 3
			
㉙ x 3	㉚ x 3	㉛ x 3	

 Φ6x30mm A x 60+3	 B x 28+2	 C x 28+2	 D x2	 E x8+1	 Φ4x15mm F x8+1
 Φ4x35mm G x64+3	 Hx3	 Φ4x16mm I x4	 J x4	 Φ4x25mm K x16+1	 Φ4x12mm L x1
 M x1	 N x1	 Φ4x45mm O x4	 P x6		

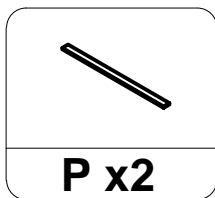
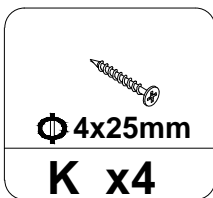
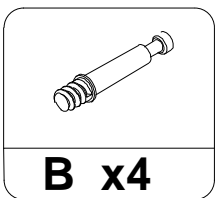
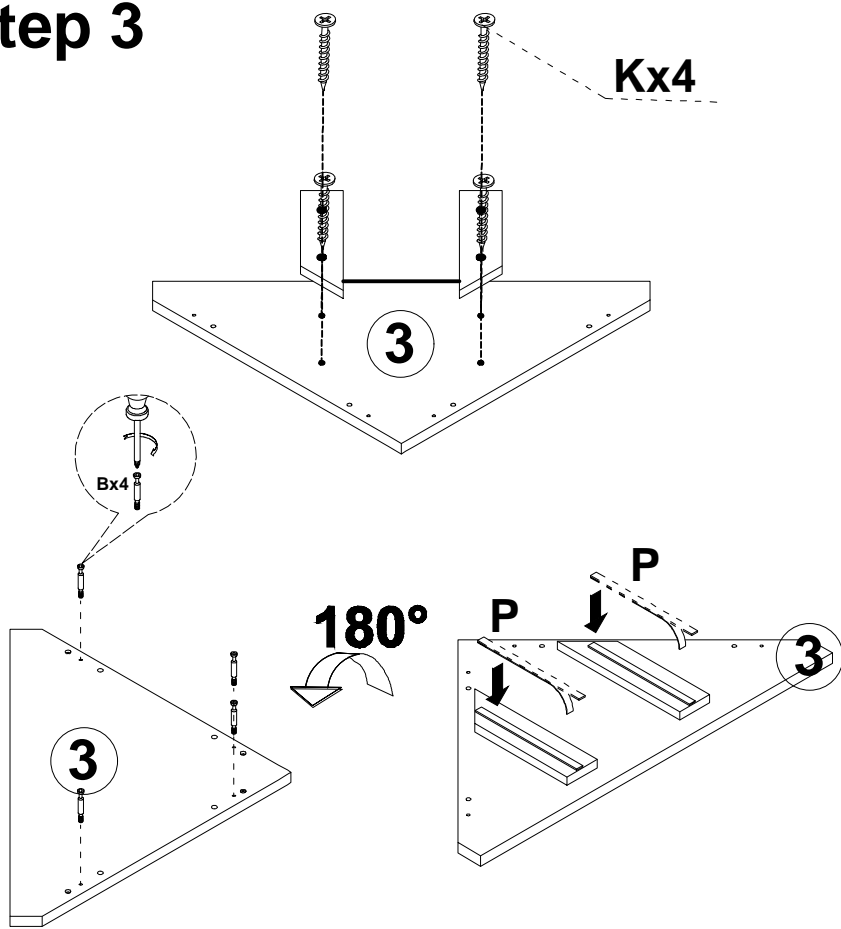
step 1



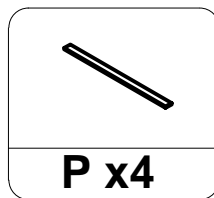
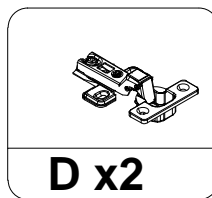
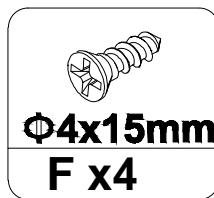
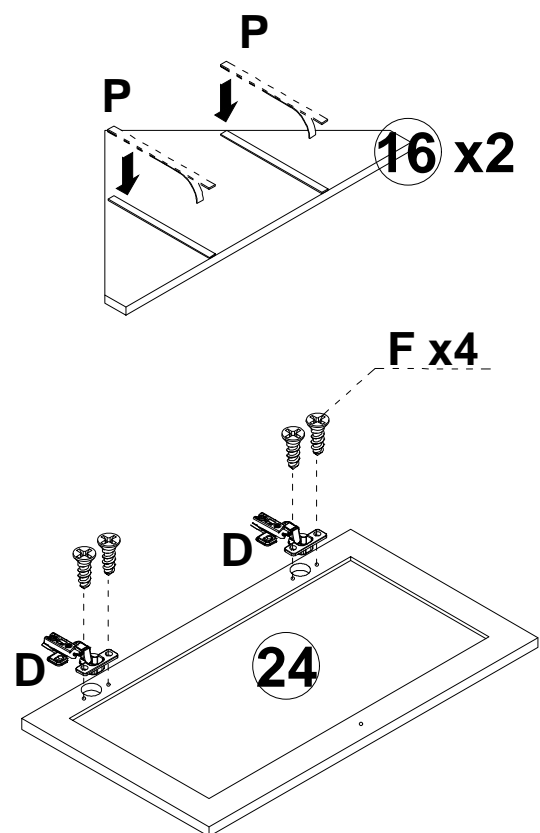
step 2



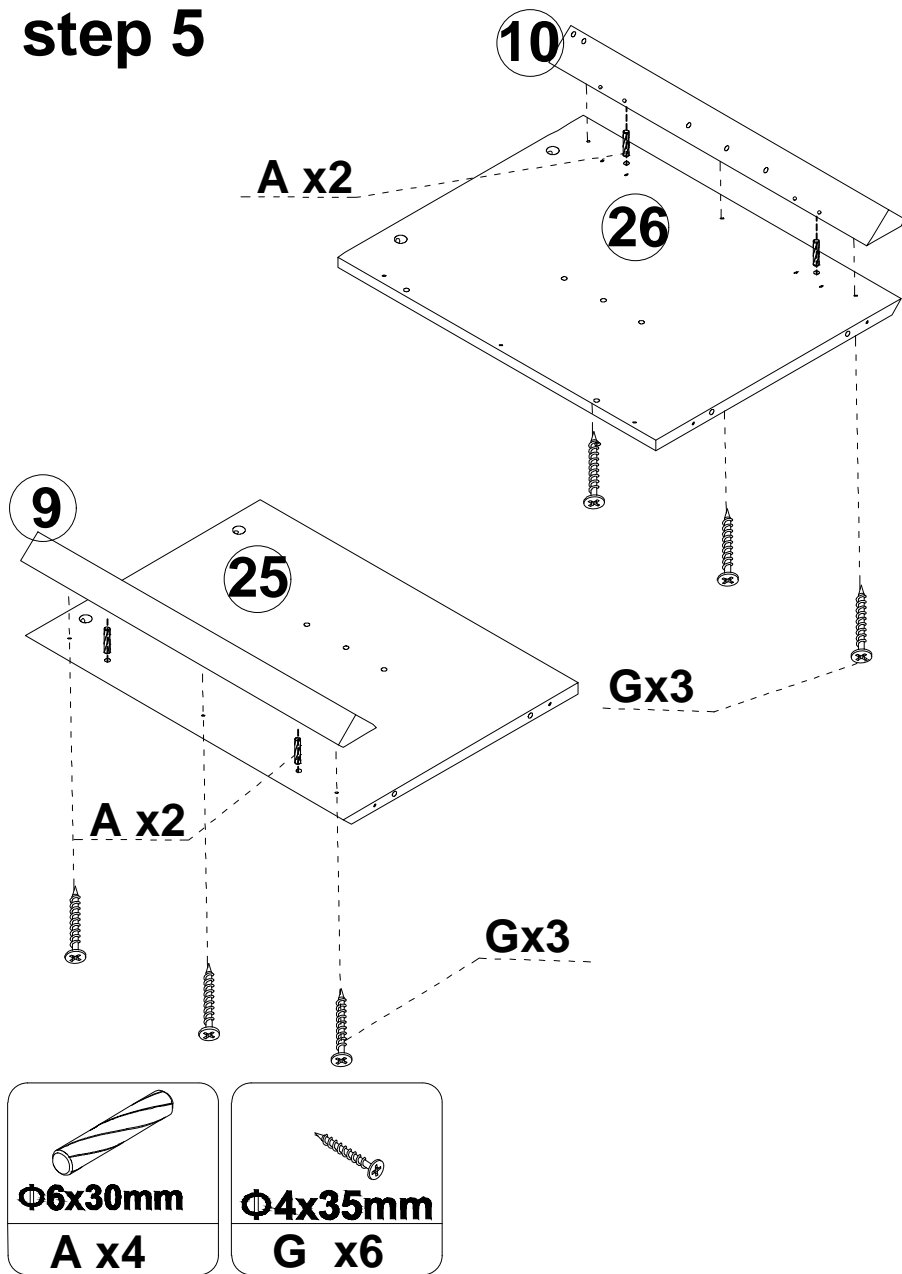
step 3



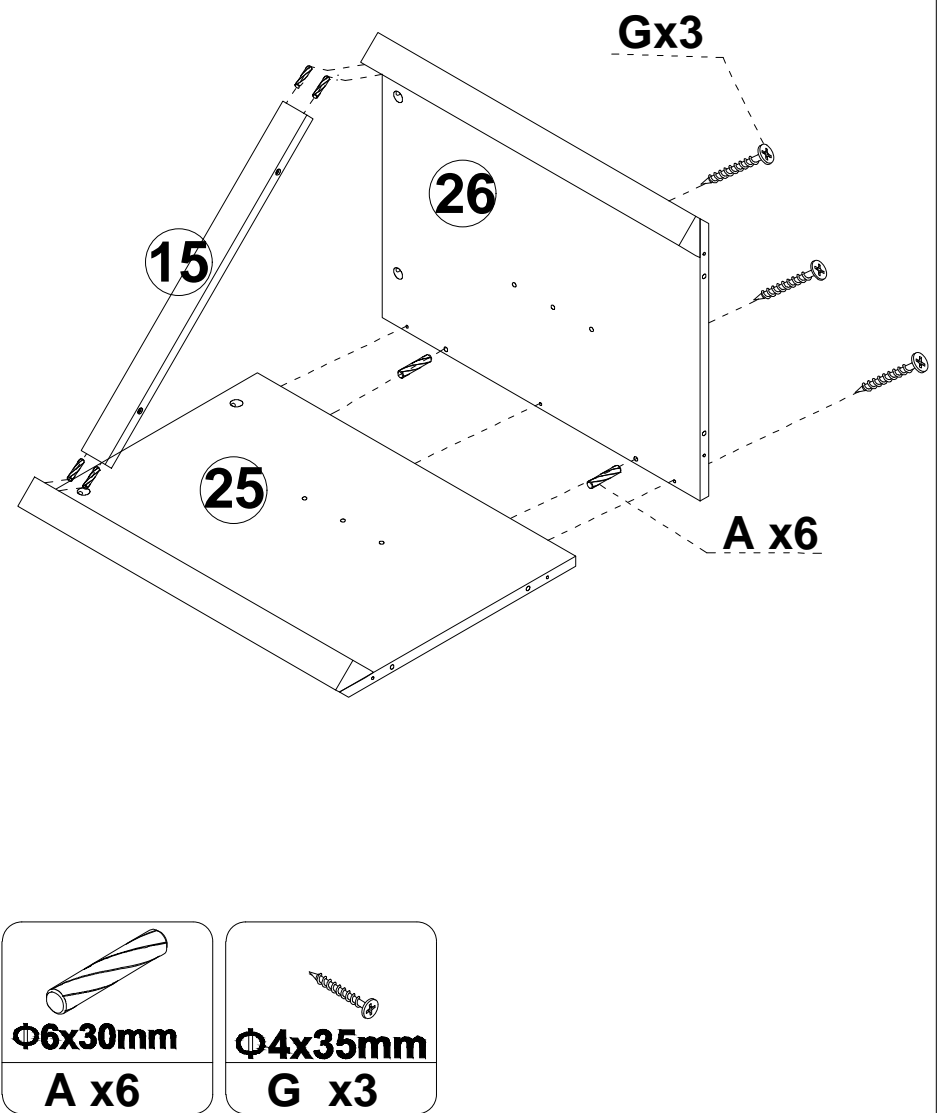
step 4



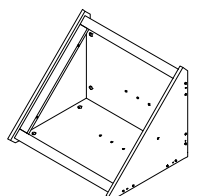
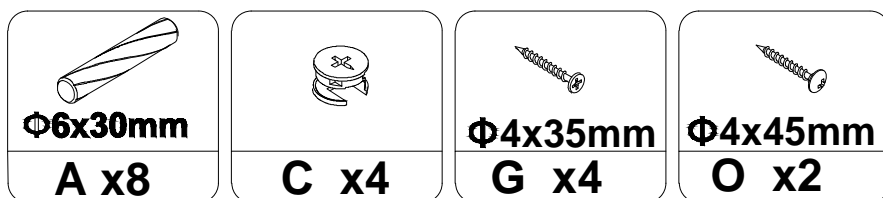
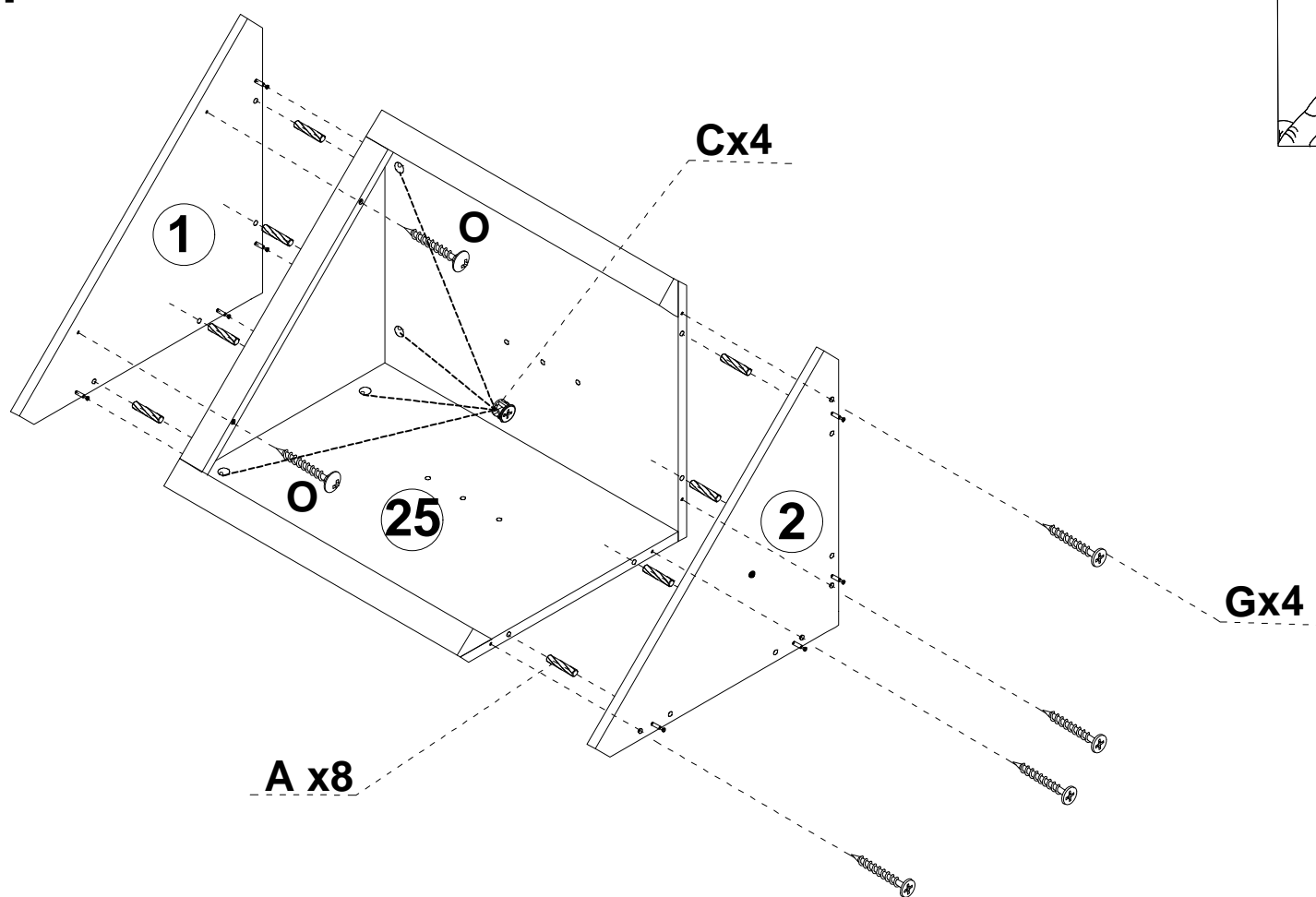
step 5



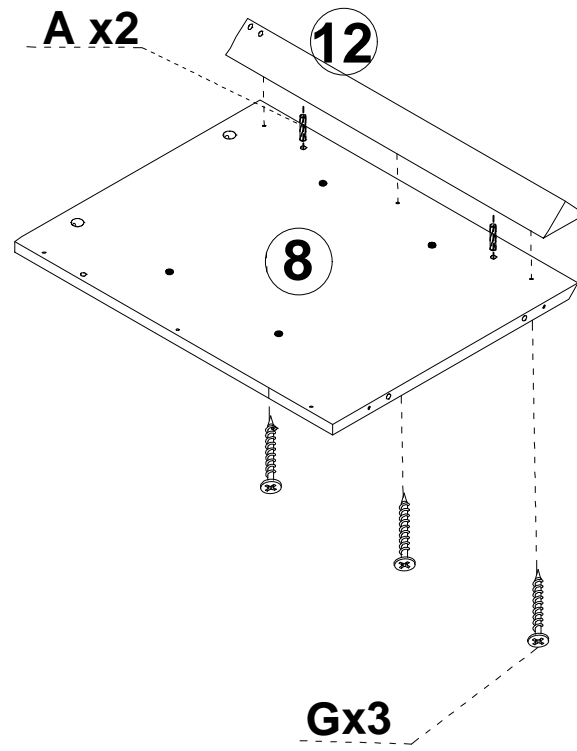
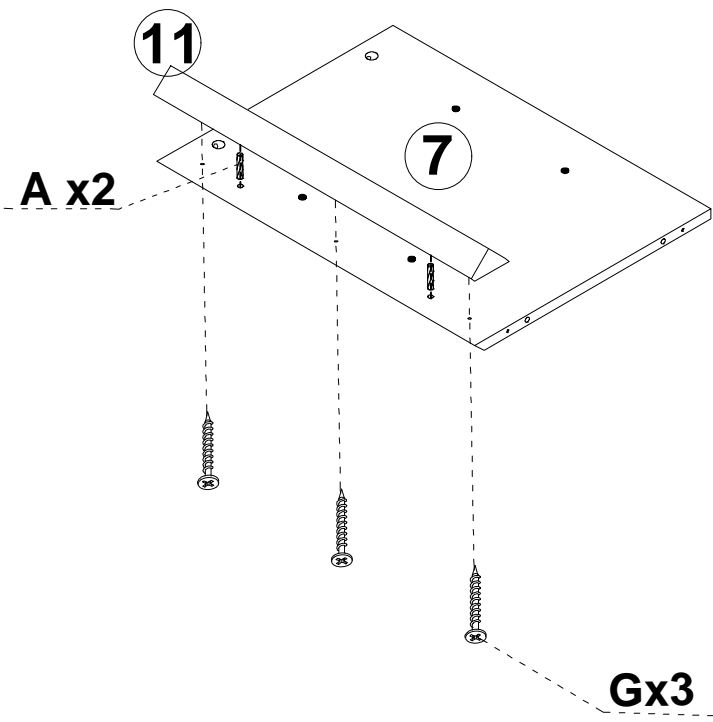
step 6



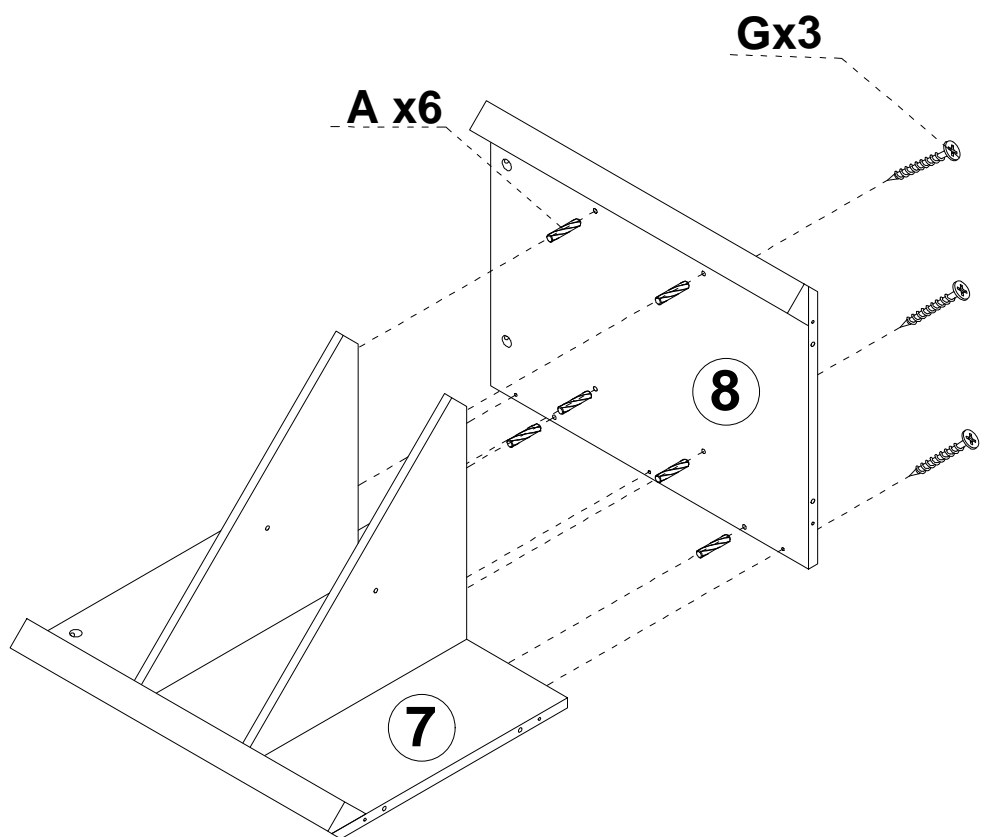
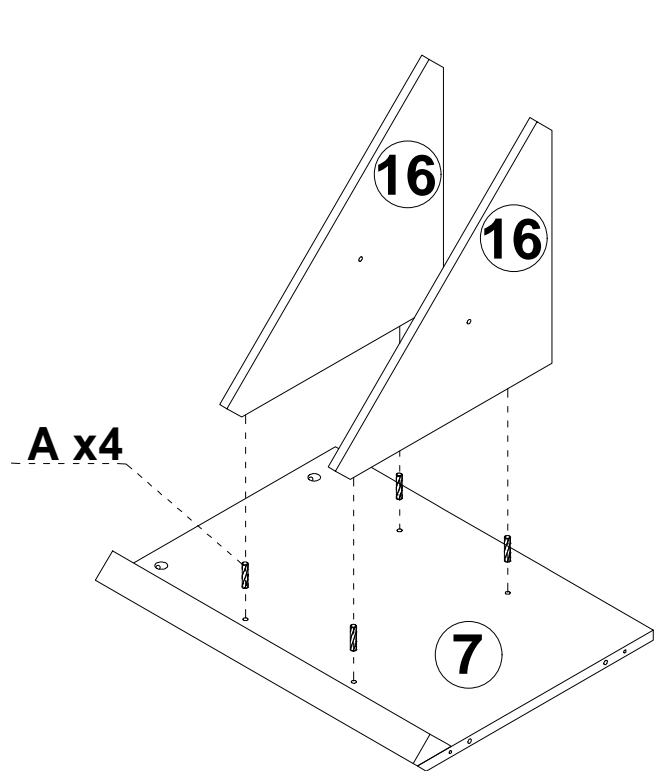
step 7



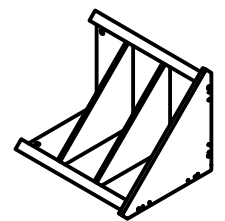
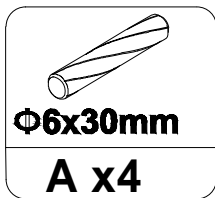
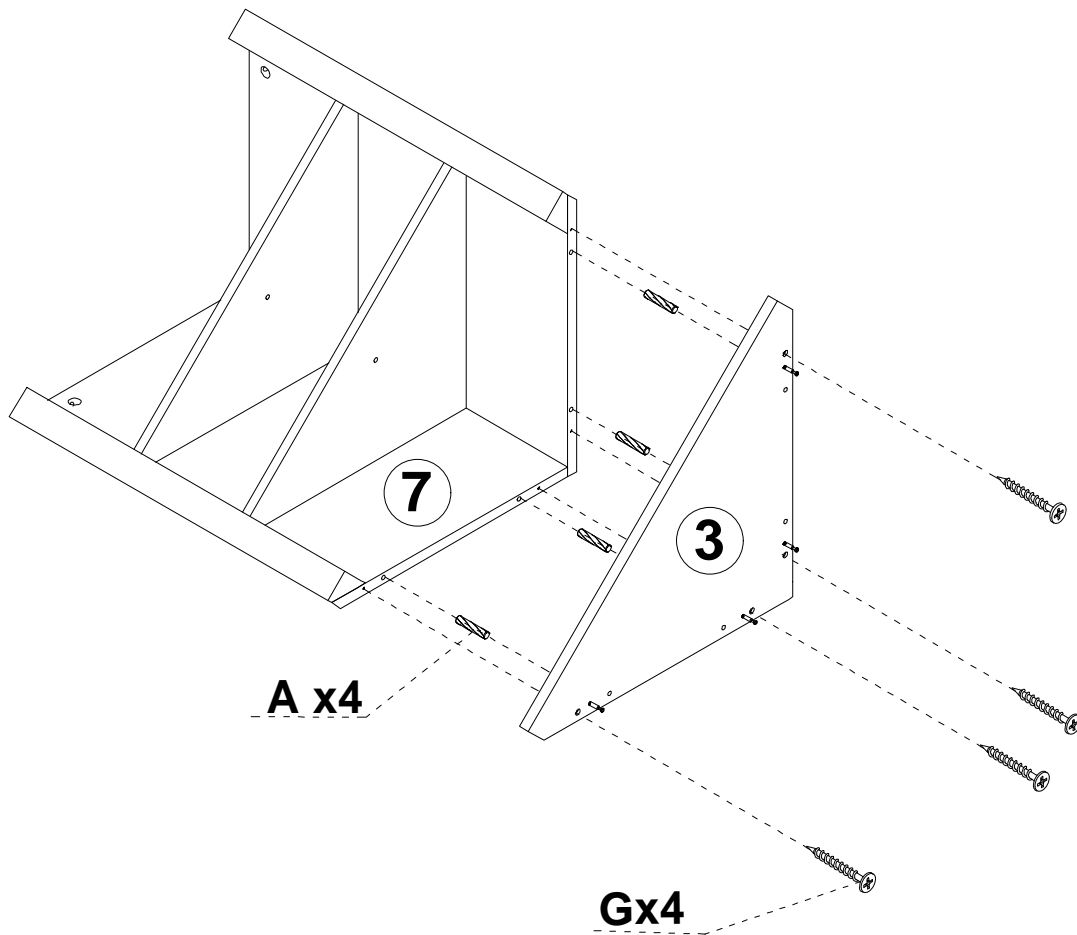
step 8



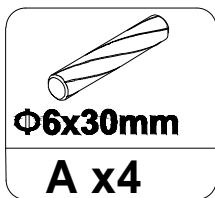
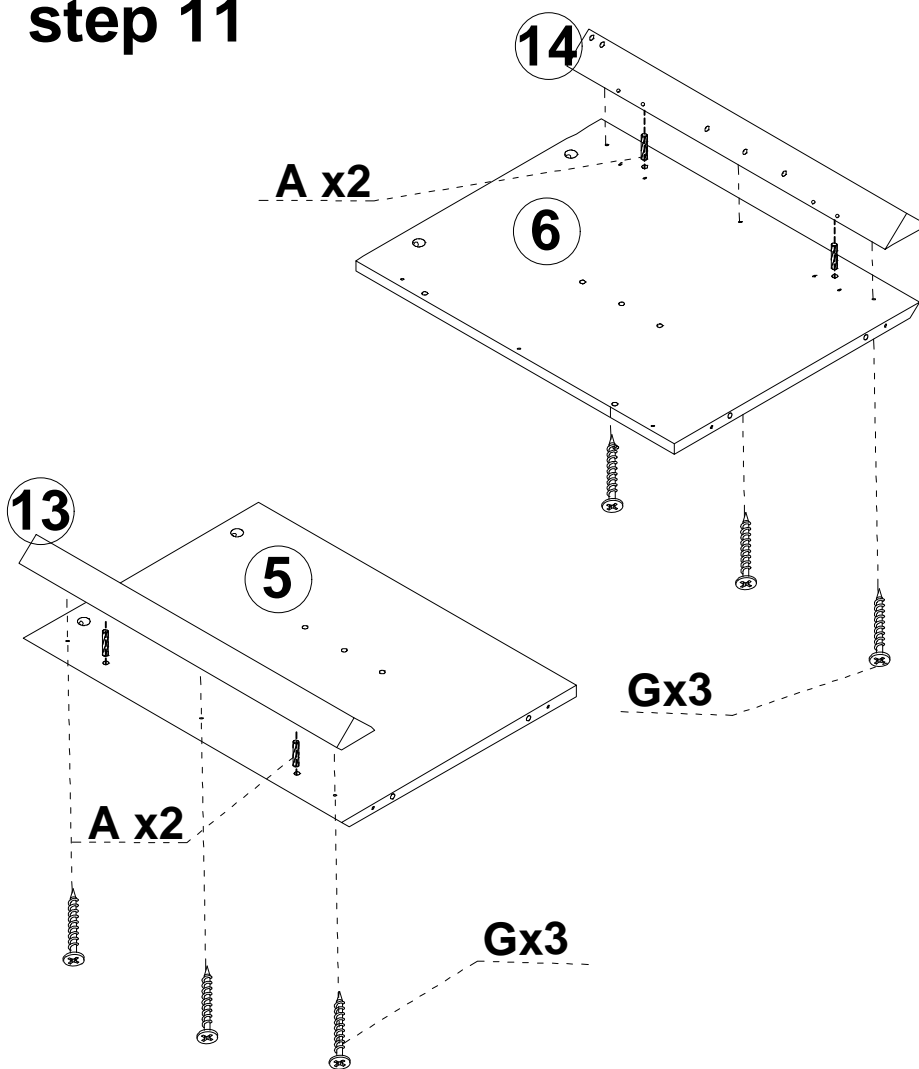
step 9



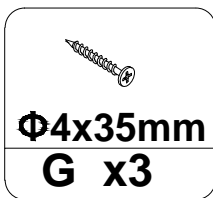
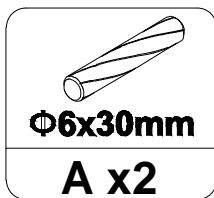
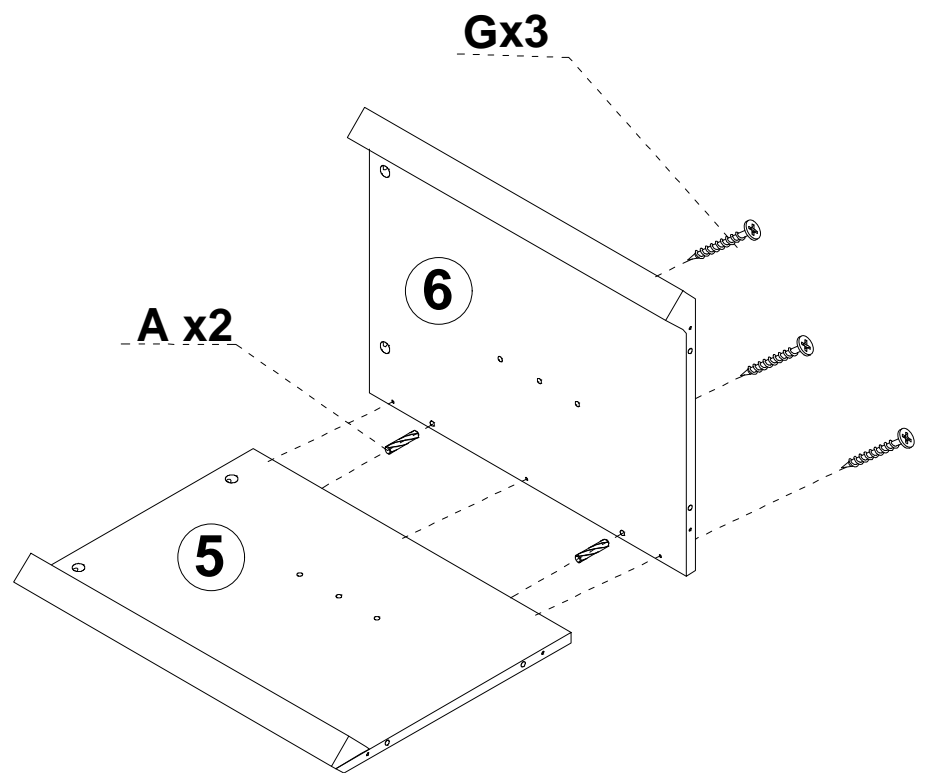
step 10



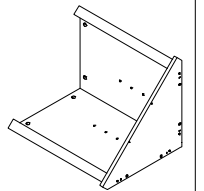
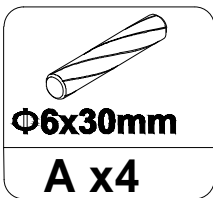
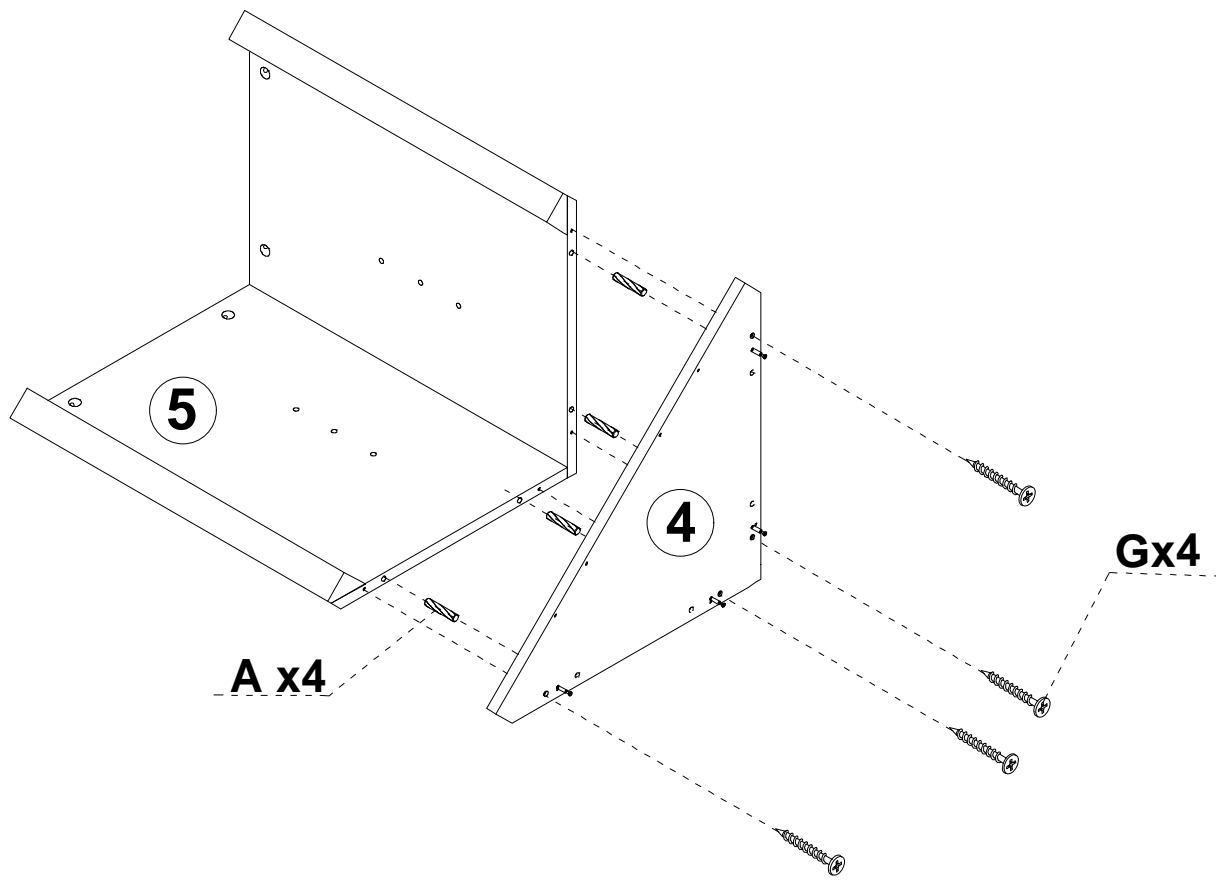
step 11



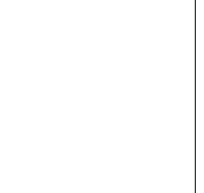
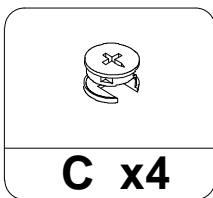
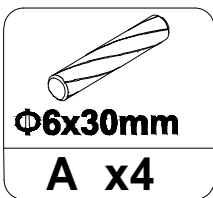
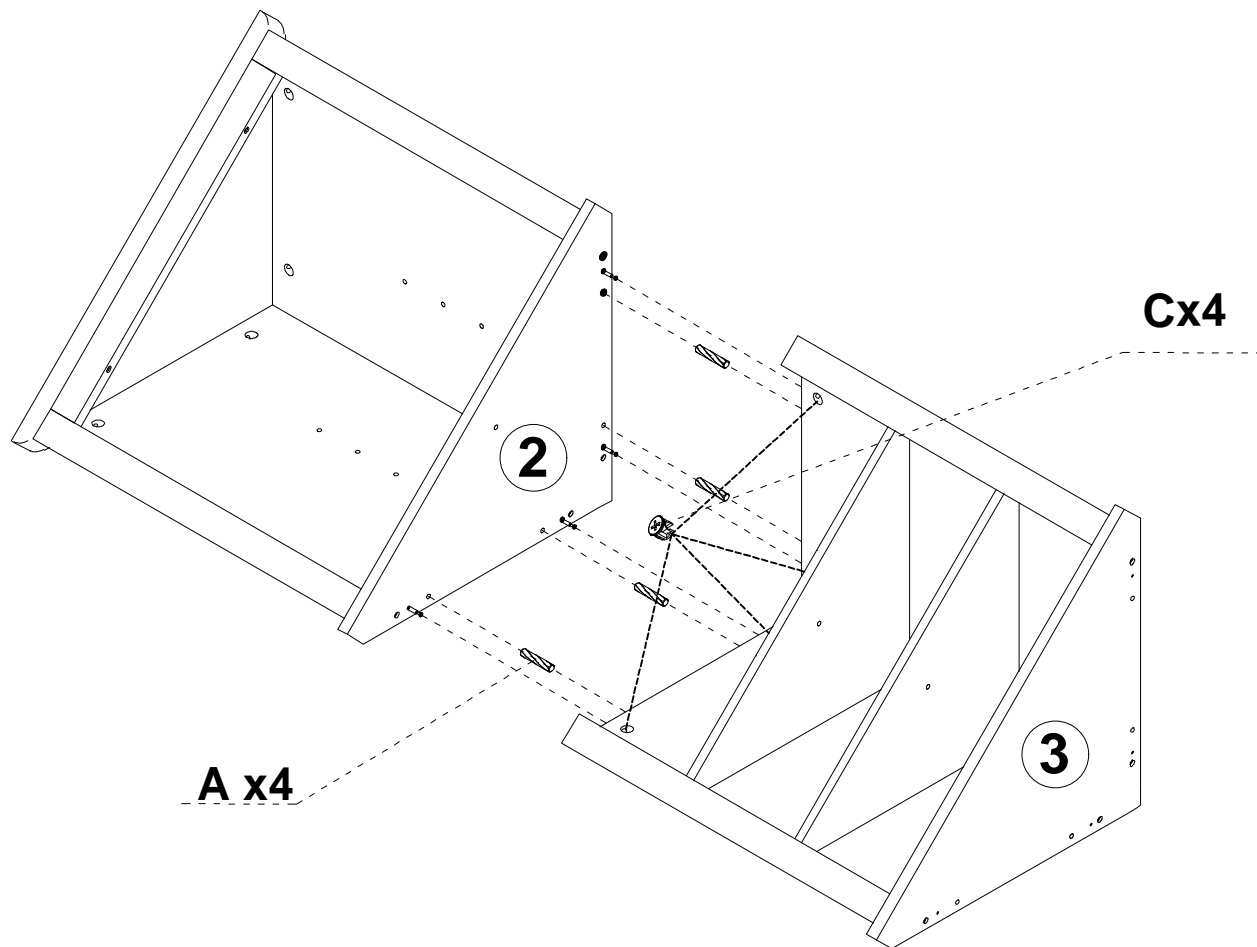
step 12



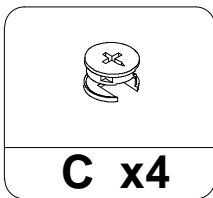
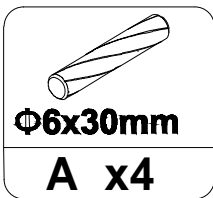
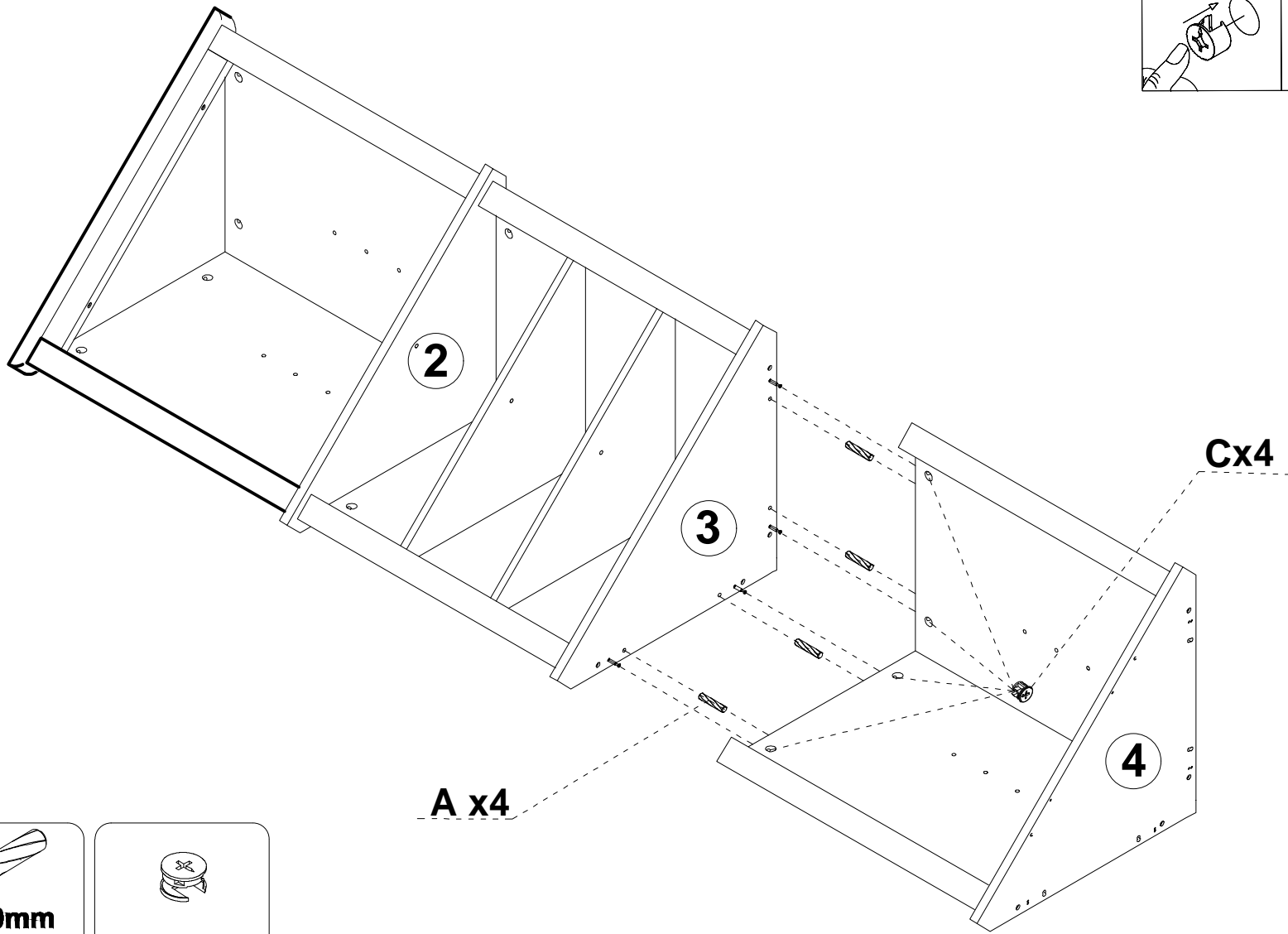
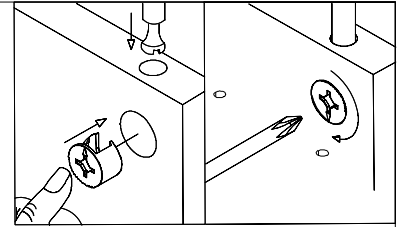
step 13



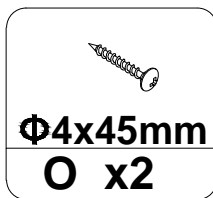
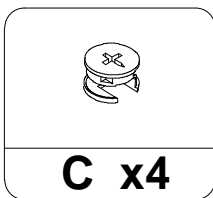
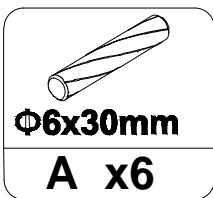
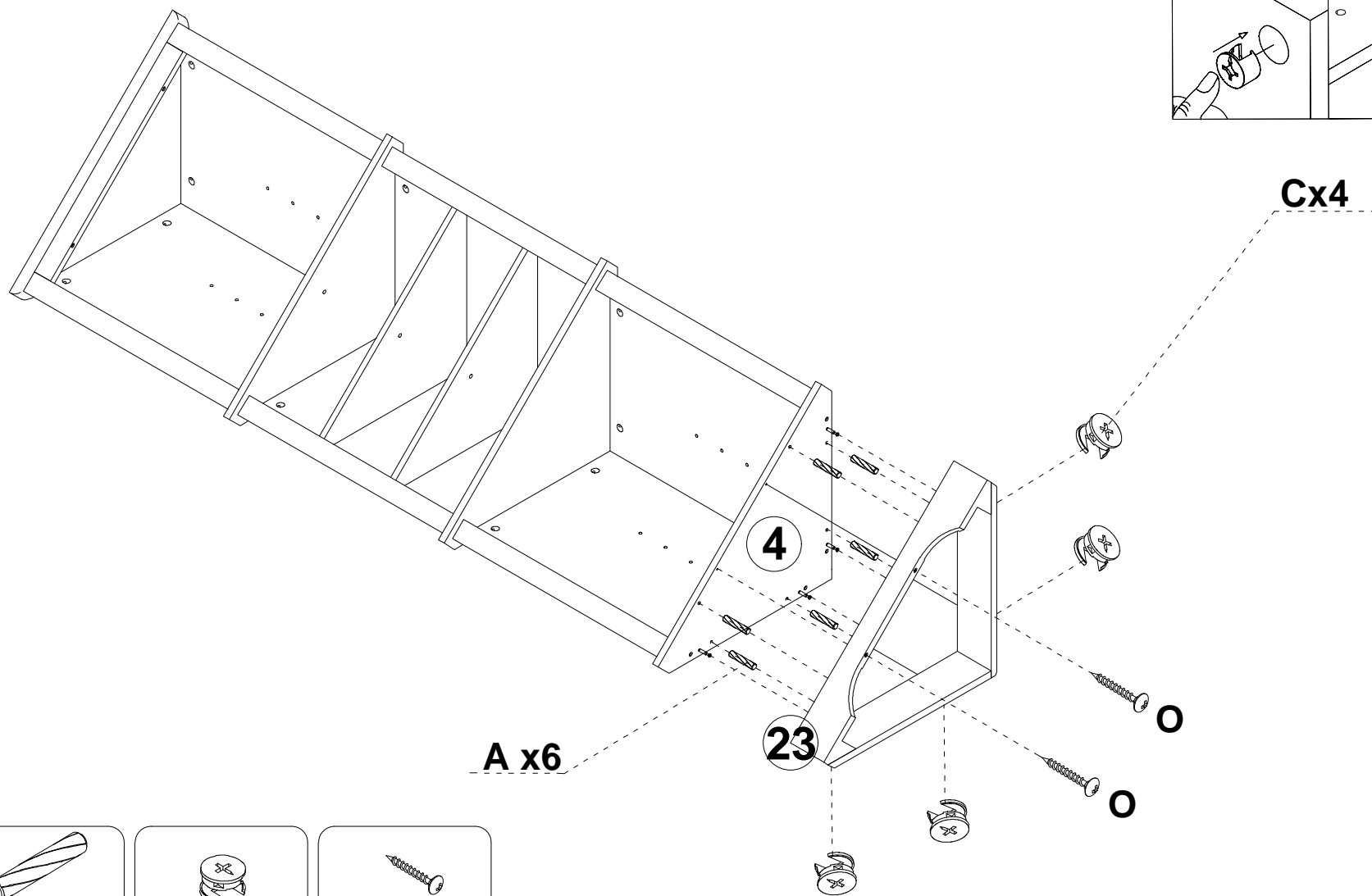
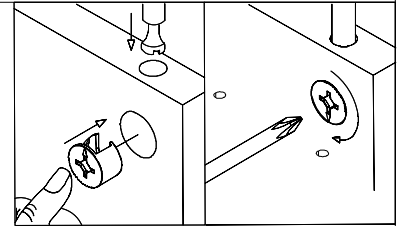
step 14



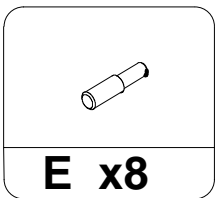
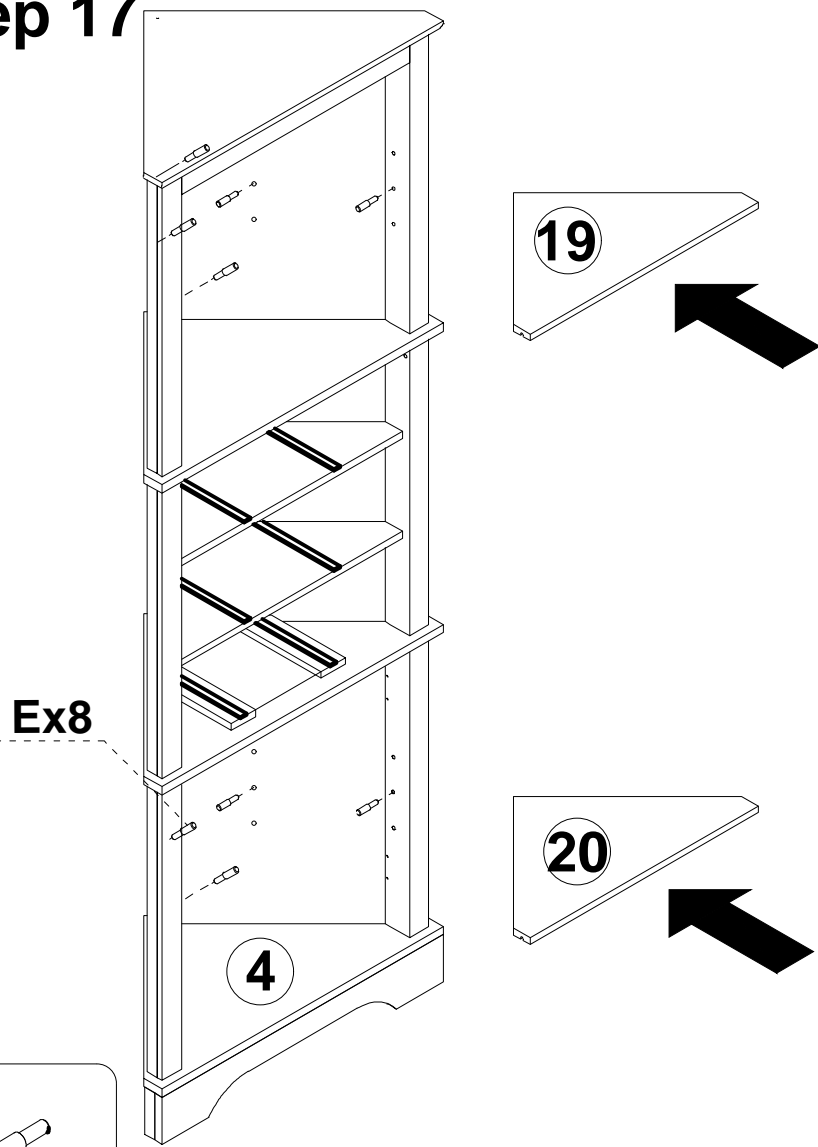
step 15



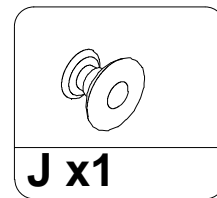
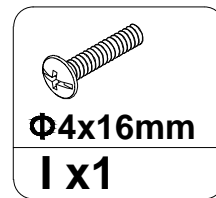
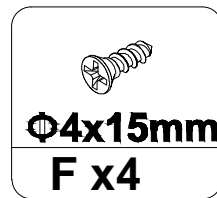
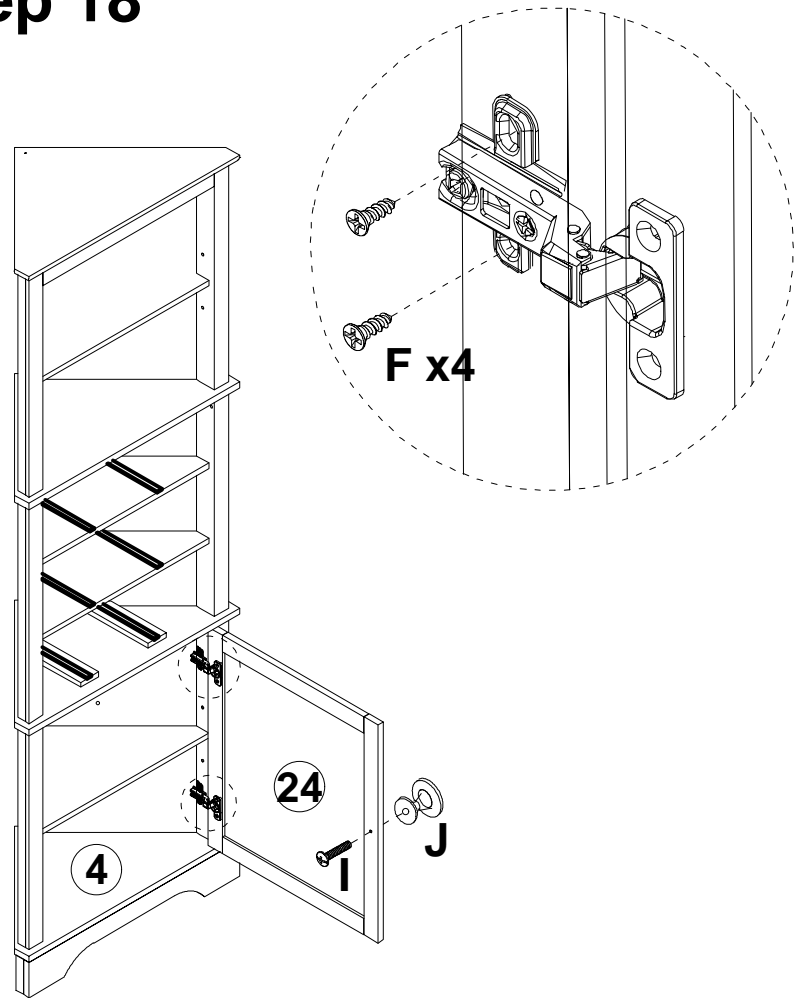
step 16



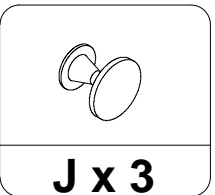
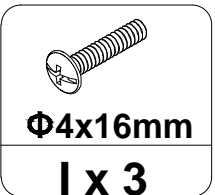
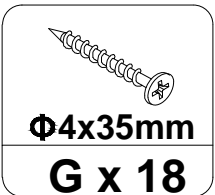
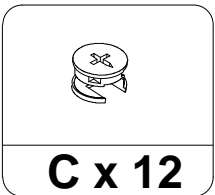
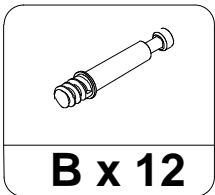
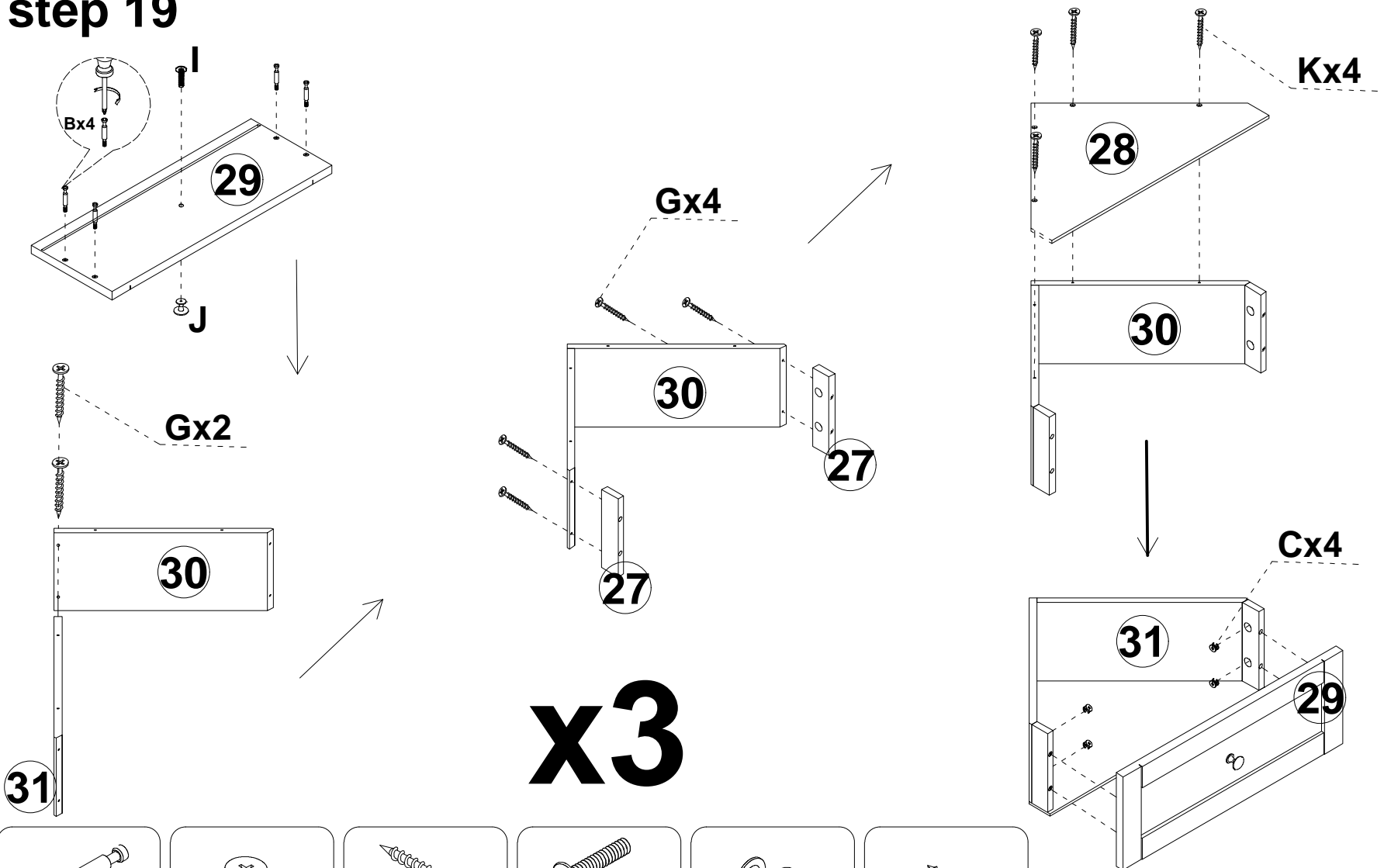
step 17



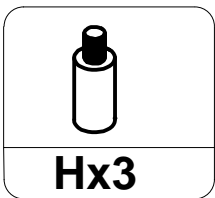
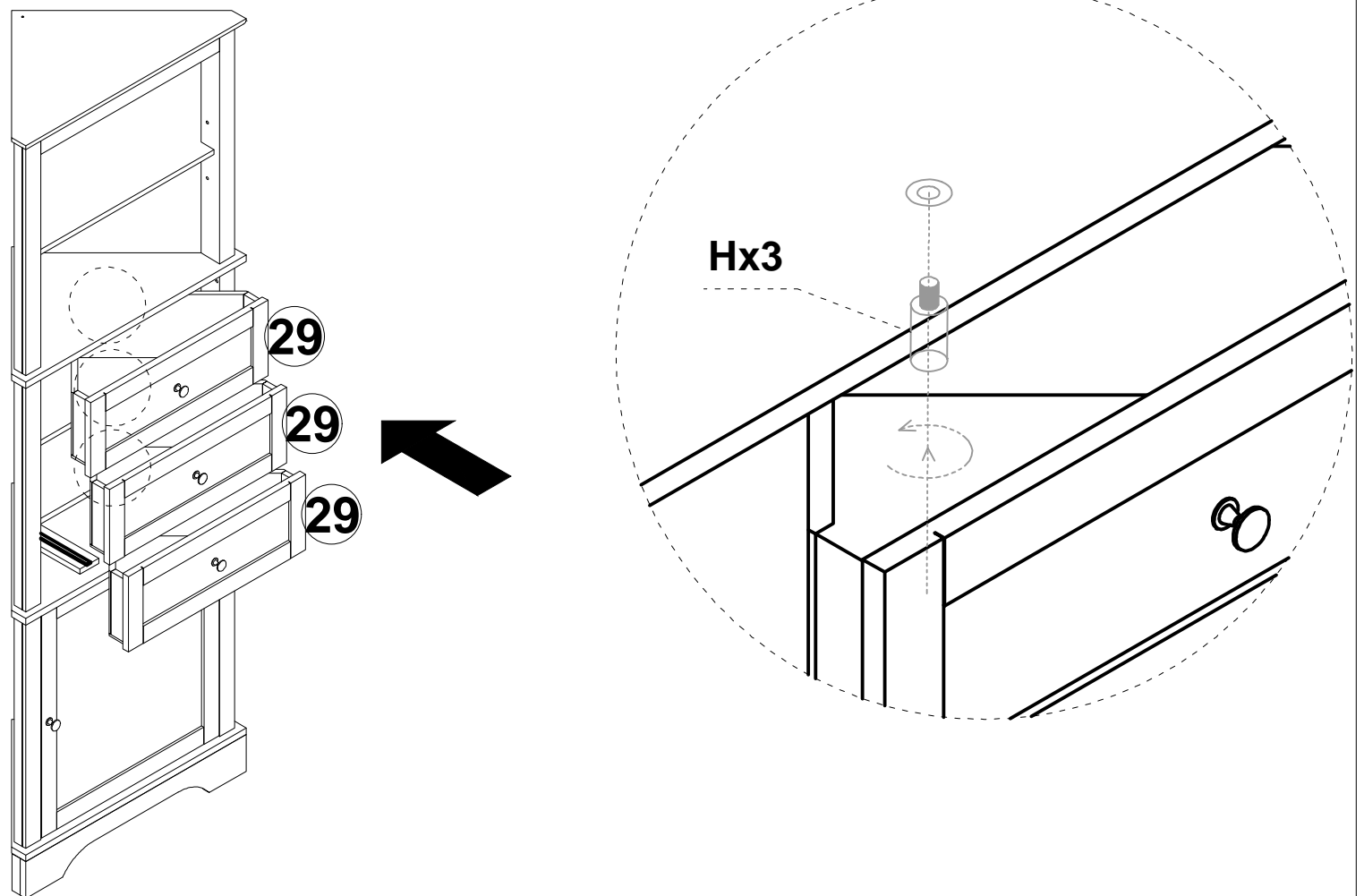
step 18



step 19



step 20



step 21

