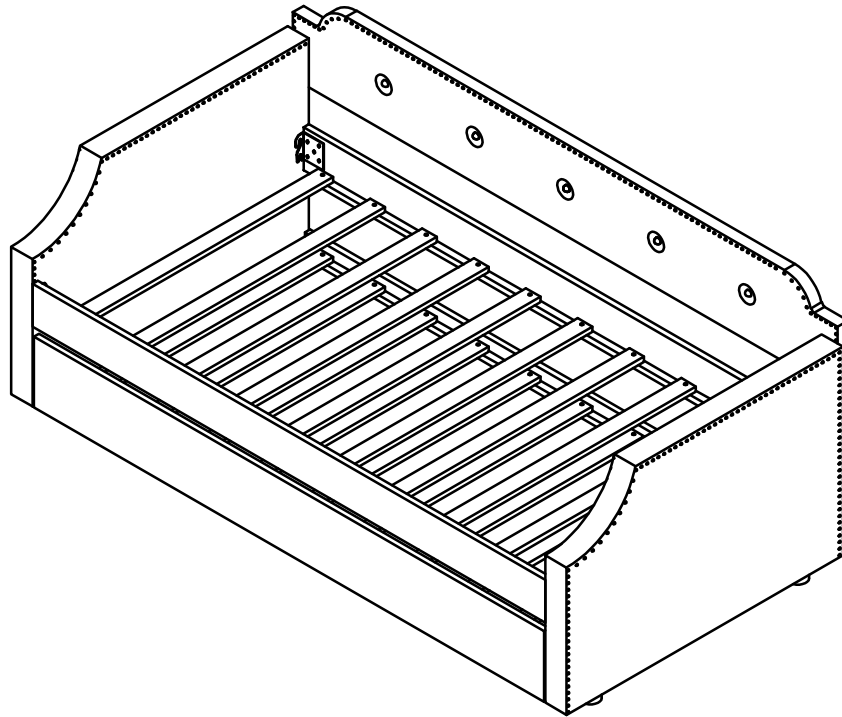


ASSEMBLY INSTRUCTION

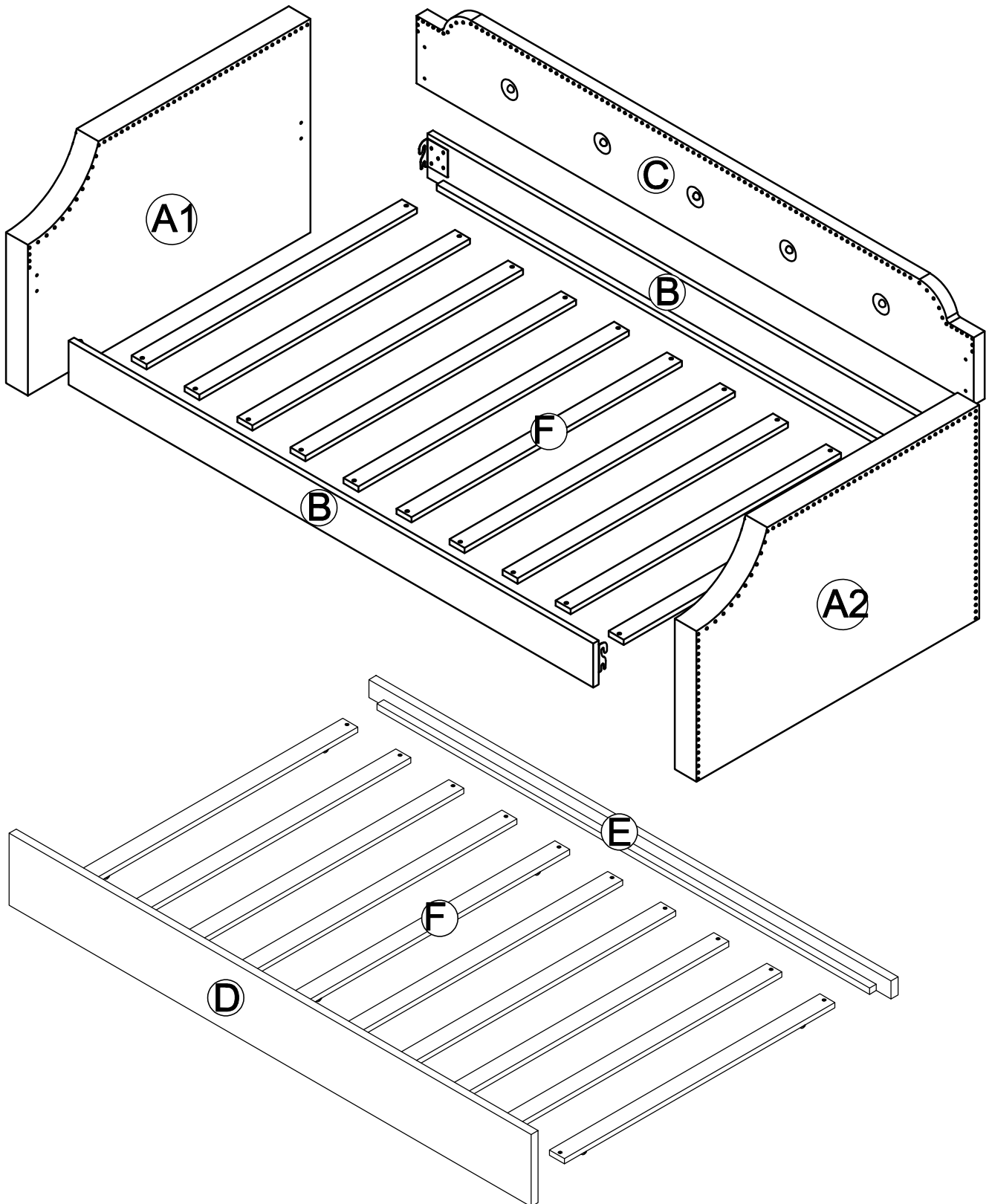
This set is included 2 boxes if don't receive full 2 boxes please contact our customer service team



SAFETY WARNINGS

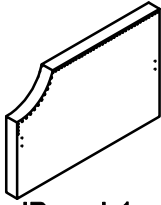
1. Follow the information on the warning label appearing on the upper bunk end structure and on the carton... Do not remove warning label from bed.
2. Always use the recommended size mattress or mattress support, or both, to help prevent the likelihood of entrapment or falls.
3. Surface of mattress must be at least 5 inches below the upper edge of guard rails.
4. Do not allow children under 6 years to use the upper bunk.
5. Prohibit more than one person on upper bunk.
6. Periodically check and ensure that the guardrail, ladder, and other components are in their proper position, free from damage, and that all connectors are tight.
7. Do not allow horseplay on or under the bed and prohibit jumping on the bed.
8. Always use the ladder for entering and leaving upper bunk.
9. Do not use substitute part. Contact the manufacturer or dealer for replacement part.
10. Use of night light may provide added safety precaution for a child using the upper bunk.
11. If the bunk bed will be placed next to a wall, the guardrail that runs the full length of the bed should be placed against the wall to prevent entrapment between the bed and the wall.
12. Always use guardrail on both long sides of the upper bunk.
13. The use of water or sleep flotation mattresses is prohibited.
14. Keep these instruction for future reference.
15. Strangulation Hazard - Never attach or hang items to any part of the bunk bed that are not designed for use with the bed, for example, but not limited to hooks, belts and jump rores.
16. Trundle : Only use for mattress 6 inch.

ASSEMBLY INSTRUCTION



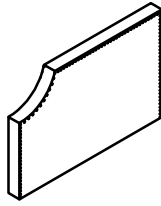
Part List

A1



HeadBoard-1pcs

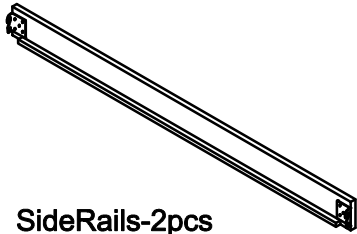
A2



FootBoard-1pcs

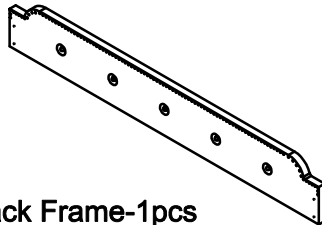
Part List

B



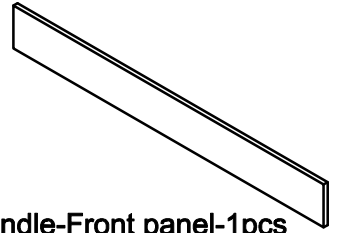
SideRails-2pcs

C



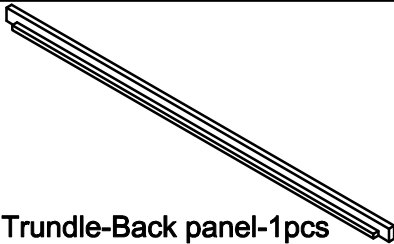
Back Frame-1pcs

D



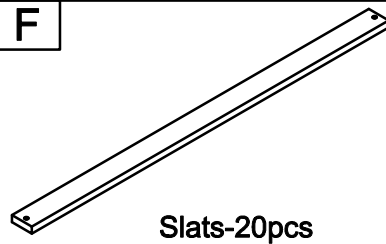
Trundle-Front panel-1pcs

E



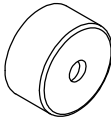

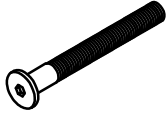

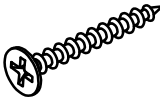
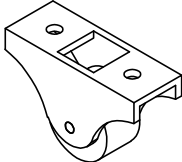


Trundle-Back panel-1pcs

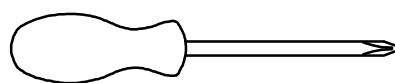
F



Slats-20pcs

Hardware List

<p>1</p>  <p>Plastic Feet(Ø32x16) 4pcs</p>	<p>2</p>  <p>Ø1/4" x 30 mm Hex-Head bolts 12pcs</p>	<p>3</p>  <p>Ø1/4" x 40 mm Hex-Head bolts 4pcs</p>
<p>4</p>  <p>M4 x 30 mm Wood Screws 40pcs</p>	<p>5</p>  <p>M4 x 15 mm Wood Screws 21pcs</p>	<p>6</p>  <p>Wheels 6pcs</p>
<p>7</p>  <p>Steel Bracket 3pcs</p>	<p>8</p>  <p>Allen Key 1pc</p>	



Assembly Tools Required (Not Included)

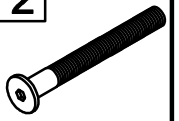
STEP 1: Following below illustration Assembly Plastic Feet(#1) With Headboard and Footboard use HW #2

1

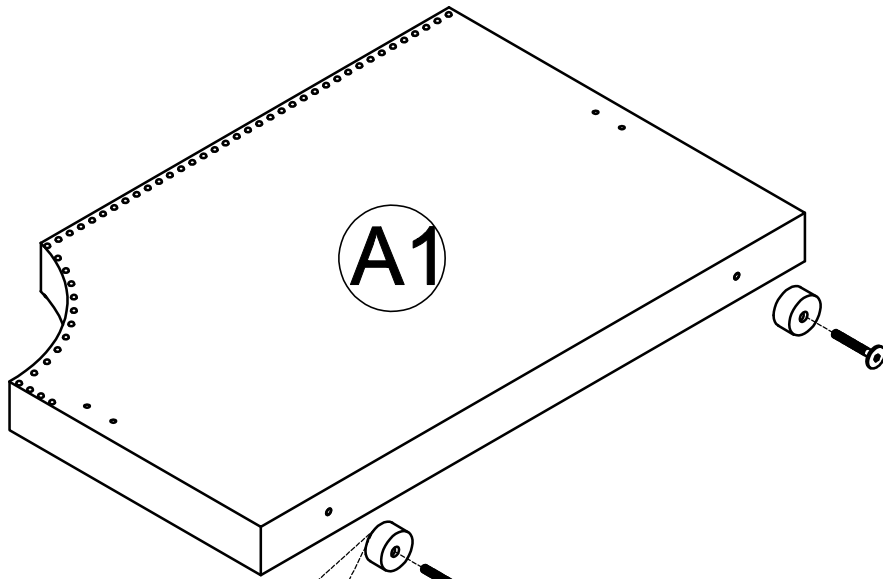


2x2pcs

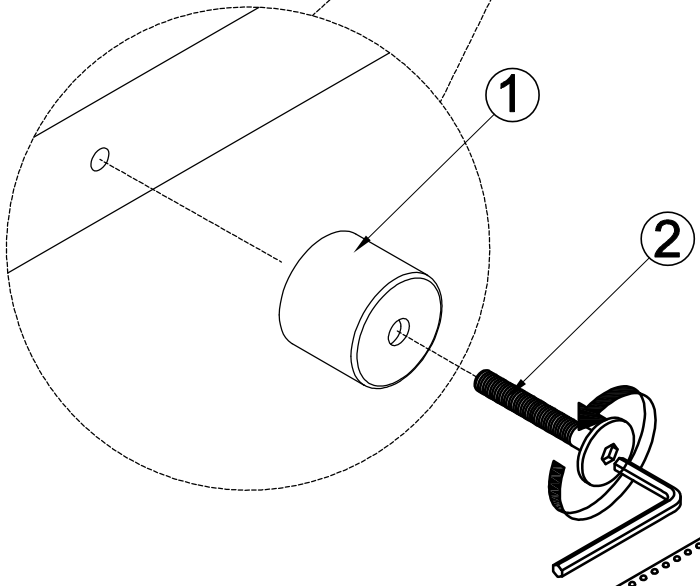
2



2x2pcs

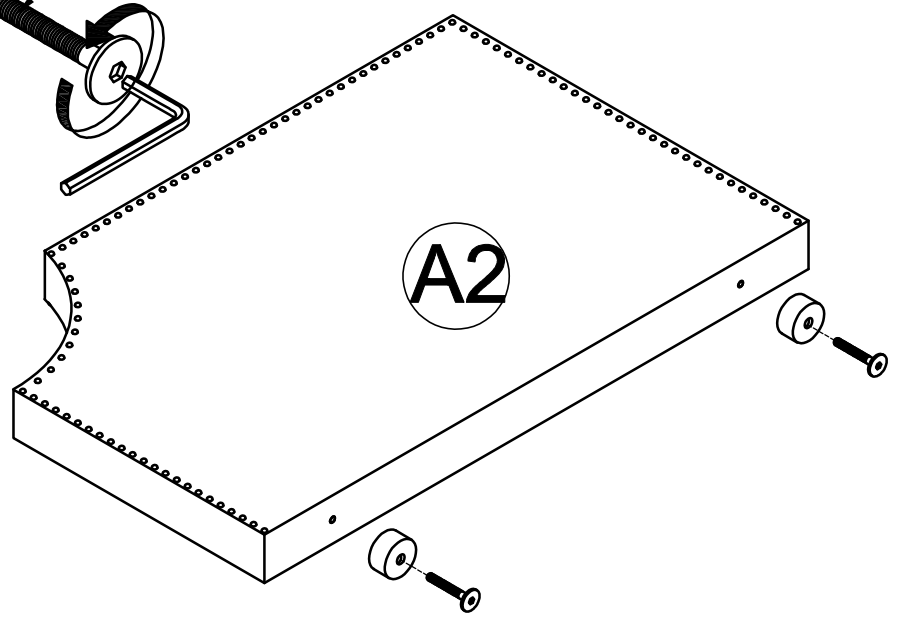


A1



1

2

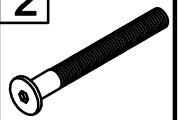


A2

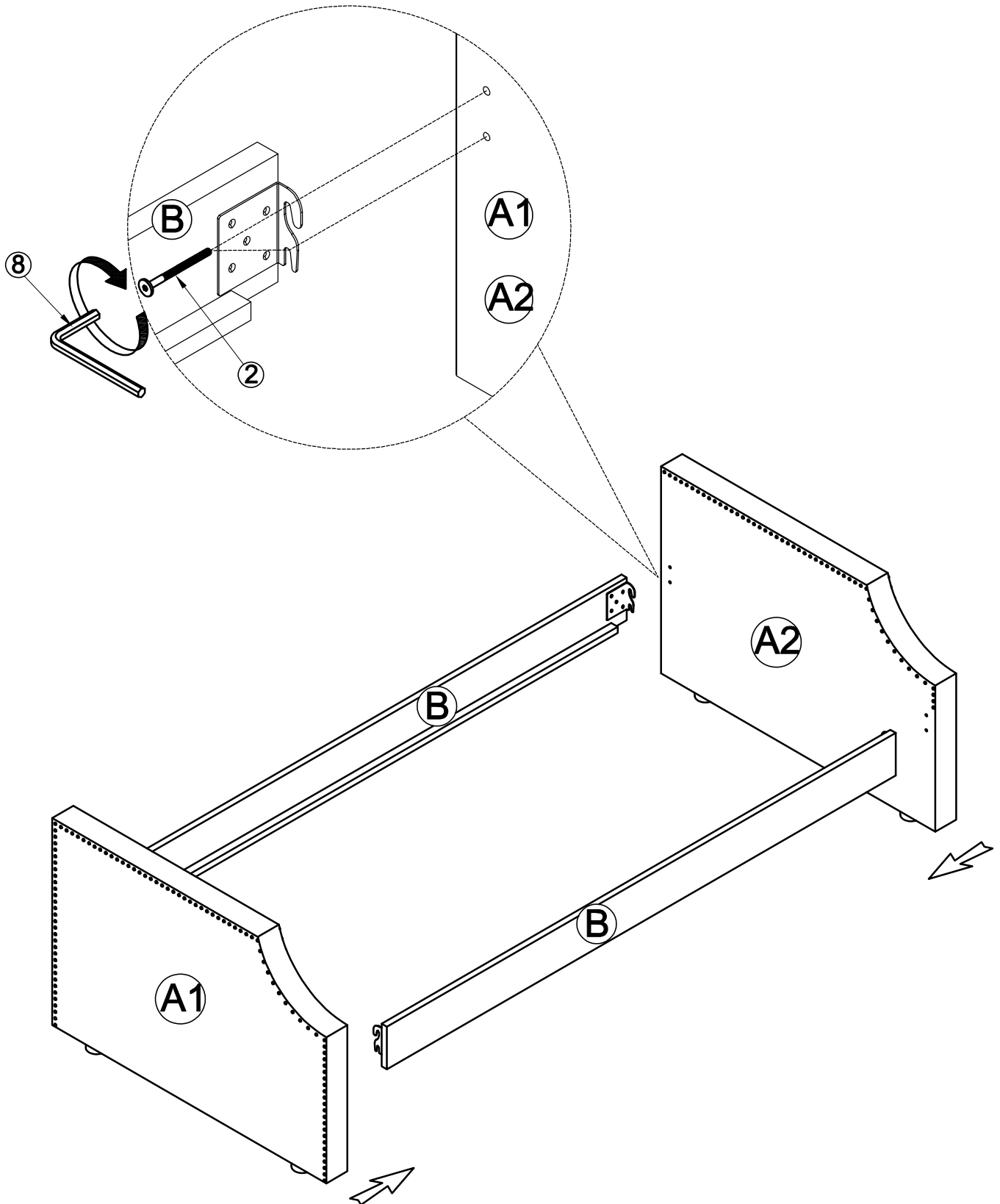
STEP 2: Following below illustration Using hardware #2 to Assembly Headboard and Footboard with siderail

B(x2). Look at detail view for more detail

2



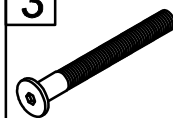
8pcs



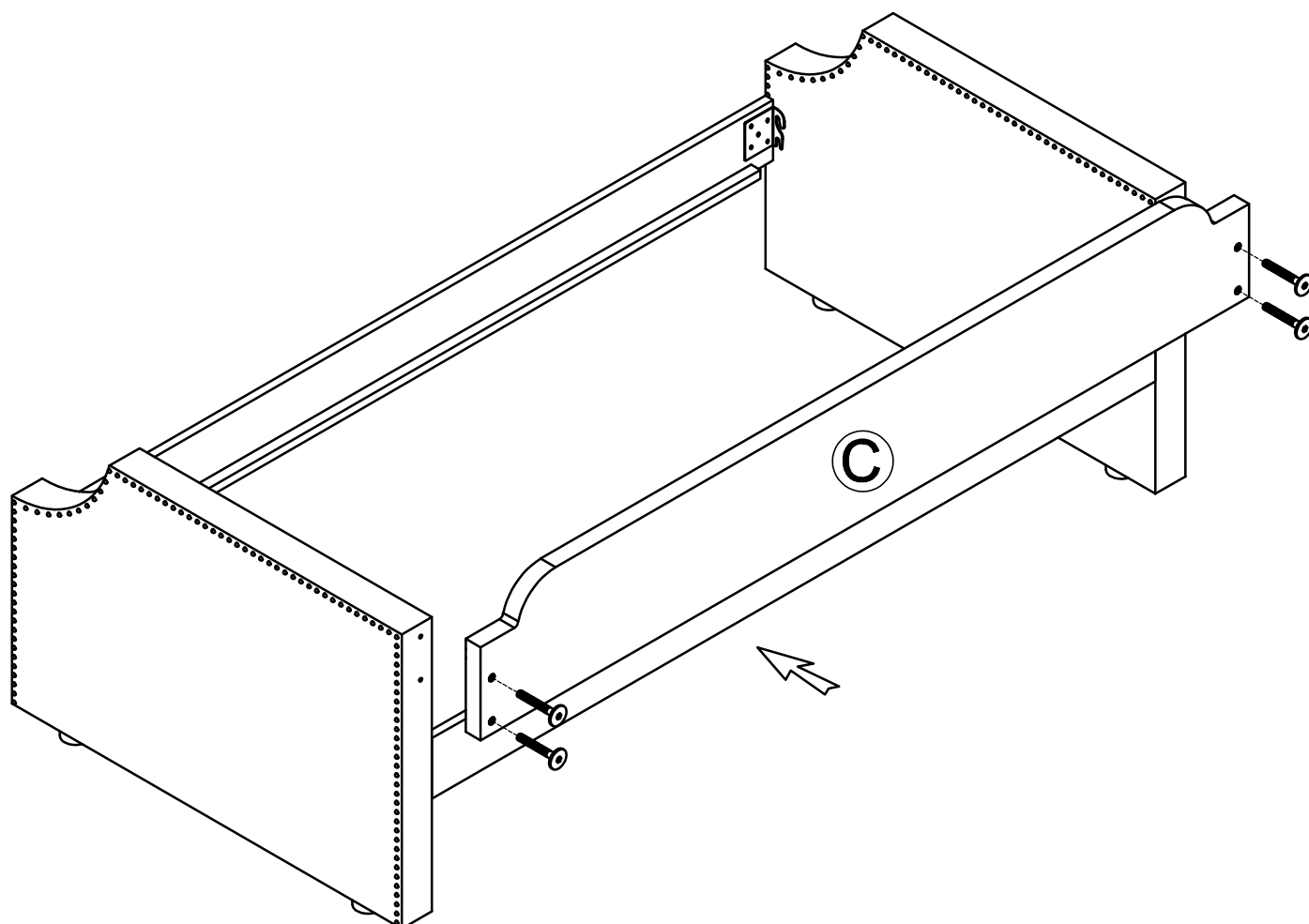
STEP 3: Following below illustration

-Using hardware #3 to Assembly Frame(completed on step 2) with Bach Frame C

3



4pcs



STEP 4: Following below illustration:

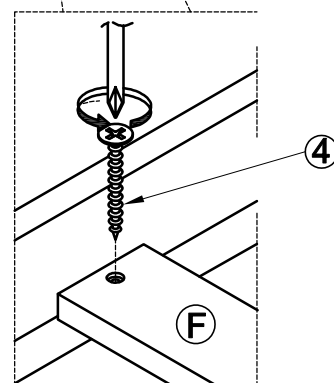
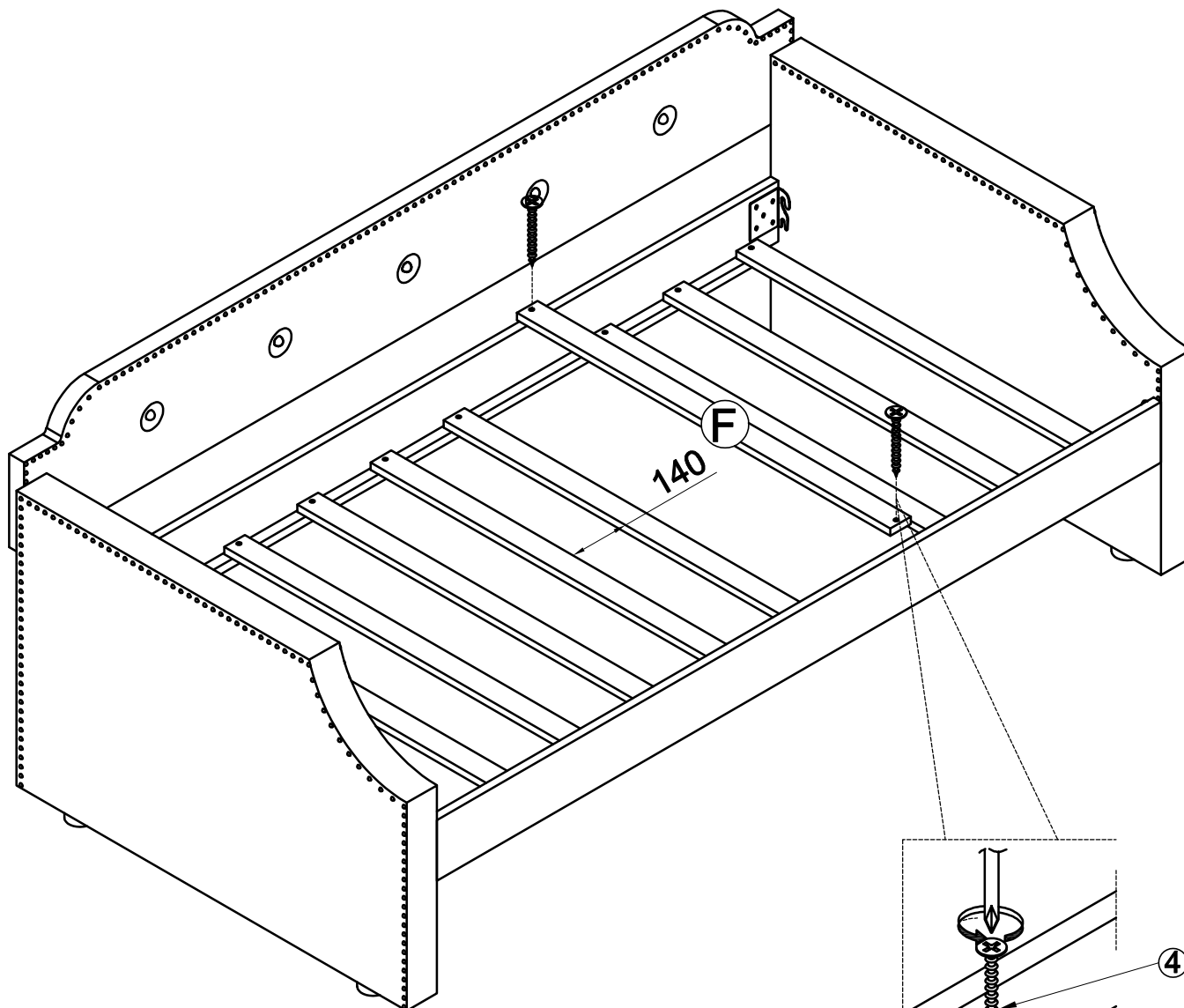
-Screw 10 slats F with Side Rail B by using hardware #4.

-Look at detail view for more detail

4

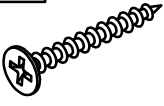
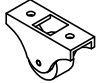


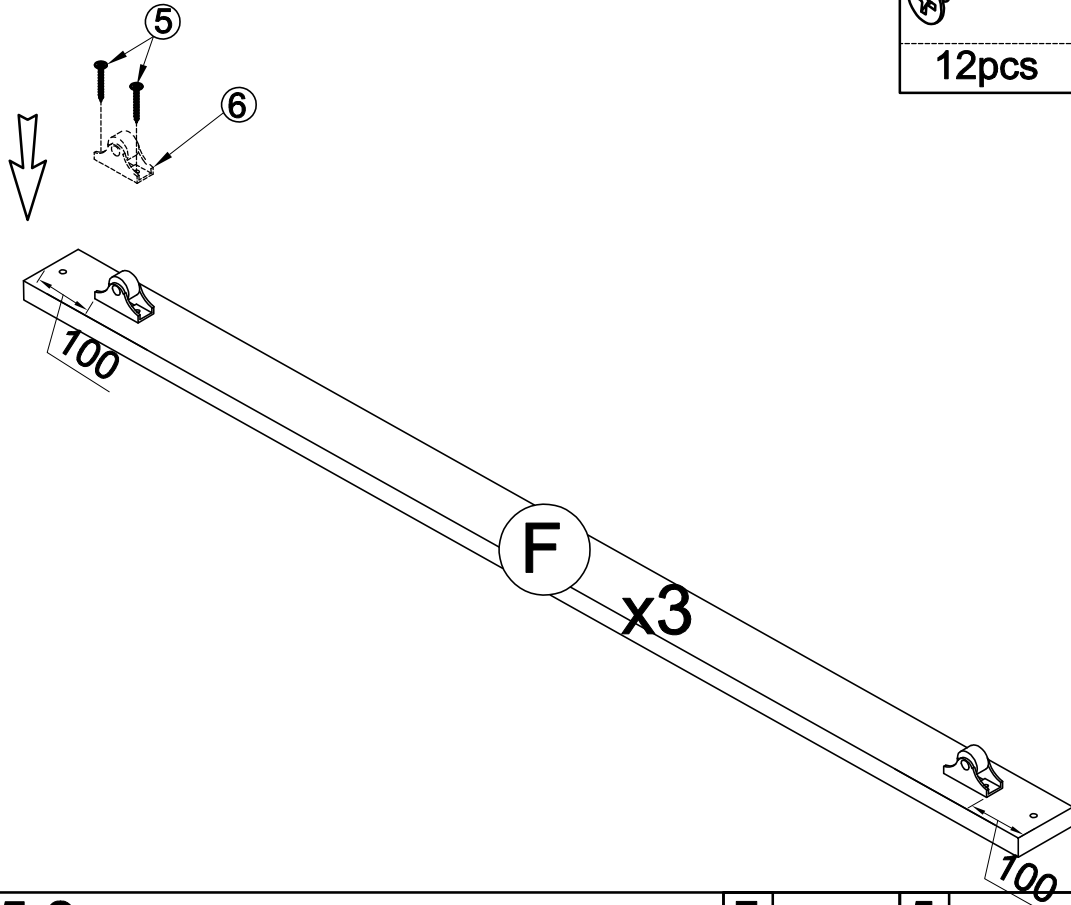
20pcs



STEP 5-1: Following below illustration:

-Screw Wheels (#6) With Slats F(x3) using hardward #5.

<div data-bbox="1157 116 1193 159" data-label="Text">5</div> 	<div data-bbox="1337 116 1374 159" data-label="Text">6</div> 
12pcs	6pcs






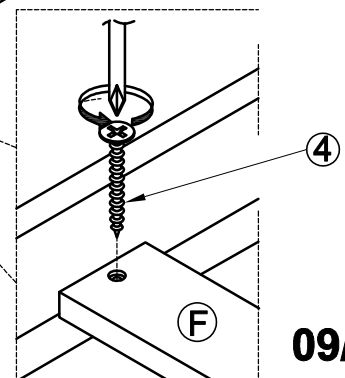
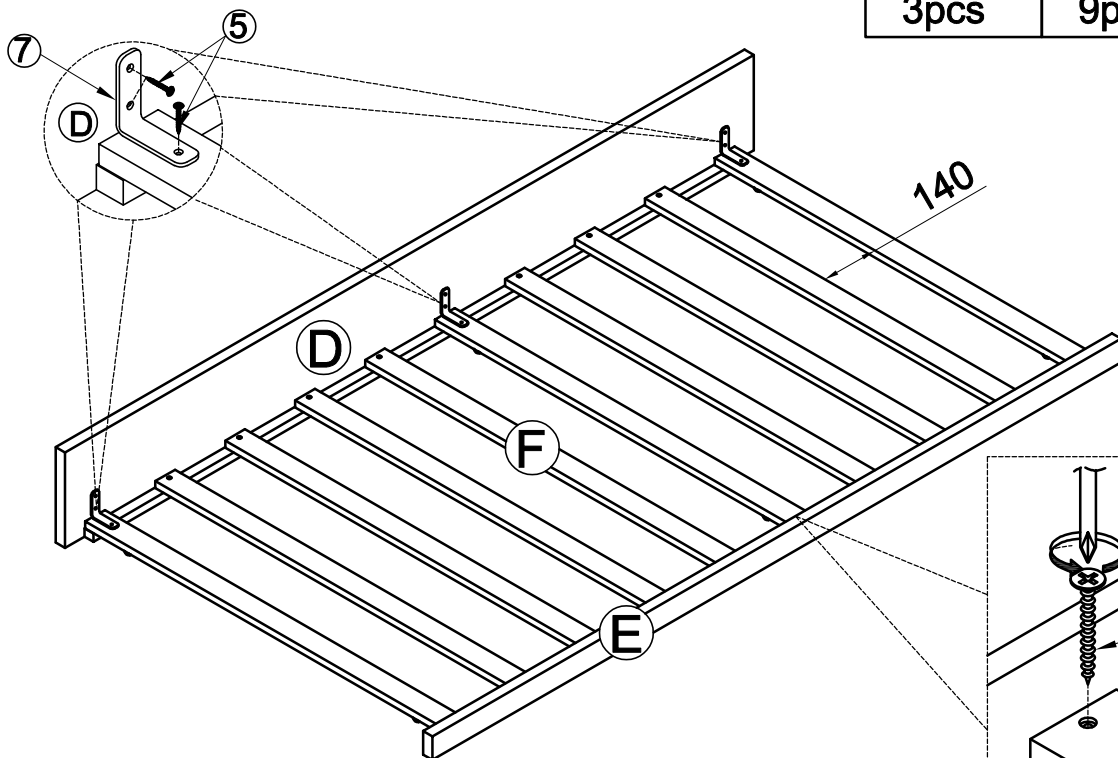
STEP 5-2: Following below illustration:

-Screw 10 slats F with Front Trundle(D) and Back Trundle(E) using hardward #4.

-Screw Steel Bracket (#7) with Front Trundle(D) and slats F using hardward #5

-Look at detail view for more detail

<div data-bbox="978 1126 1015 1169" data-label="Text">7</div> 	<div data-bbox="1158 1126 1195 1169" data-label="Text">5</div> 	<div data-bbox="1343 1126 1380 1169" data-label="Text">4</div> 
3pcs	9pcs	20pcs



STEP 6: CONGRARULATION. YOU HAVE COMPLETED THE BED. just

one more step to push the Under Bed Trundle into it position

