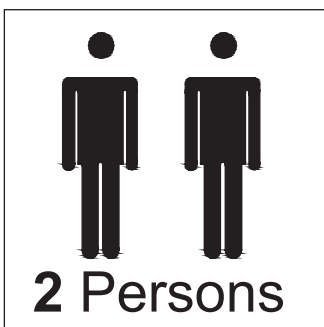
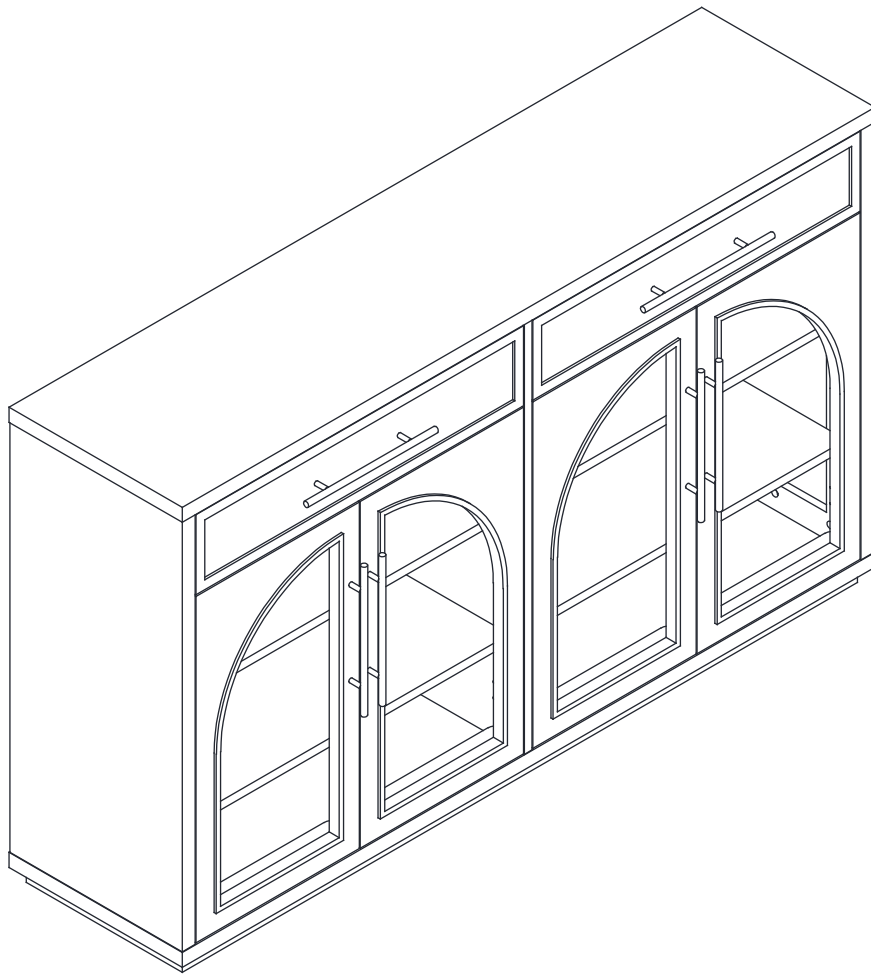


# Installation

*Product Manual*

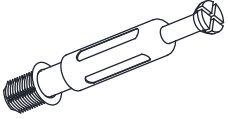
**SKU:HJJCBG-001**

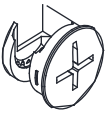


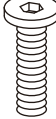
This product is packaged and shipped in 2 packages. If you have only received one package, please wait a few days for the other package to be delivered.


If you have any questions or concerns, please contact us: [hairui2023@outlook.com](mailto:hairui2023@outlook.com)

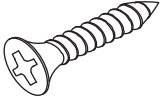
# Hardware List


<b>A</b>	46 PCS
	
Ø6*29mm	


<b>B</b>	46 PCS
	
Ø15*12mm	

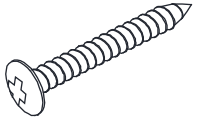
<b>C</b>	4 PCS
	
M6*25	


<b>D</b>	16 PCS
	
M6*18	


<b>E</b>	32 PCS
	
M3.5*16	


<b>F</b>	6 PCS
	
M6*20	

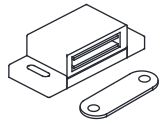
<b>G</b>	8 PCS
	
M35	


<b>H</b>	16 PCS
	
M4*30	


<b>I</b>	6 PCS
	
M60	

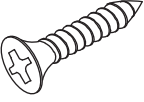
<b>J</b>	6 PCS
	
M192	

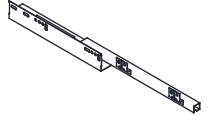
<b>K</b>	1 PCS
	
M4	

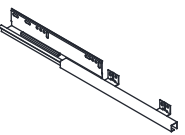
<b>L</b>	4 PCS
	
45*18*18	

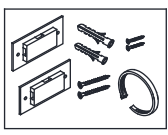
<b>M</b>	1 PCS
	
M3*1538	

<b>N</b>	12 PCS
	
M3*22	

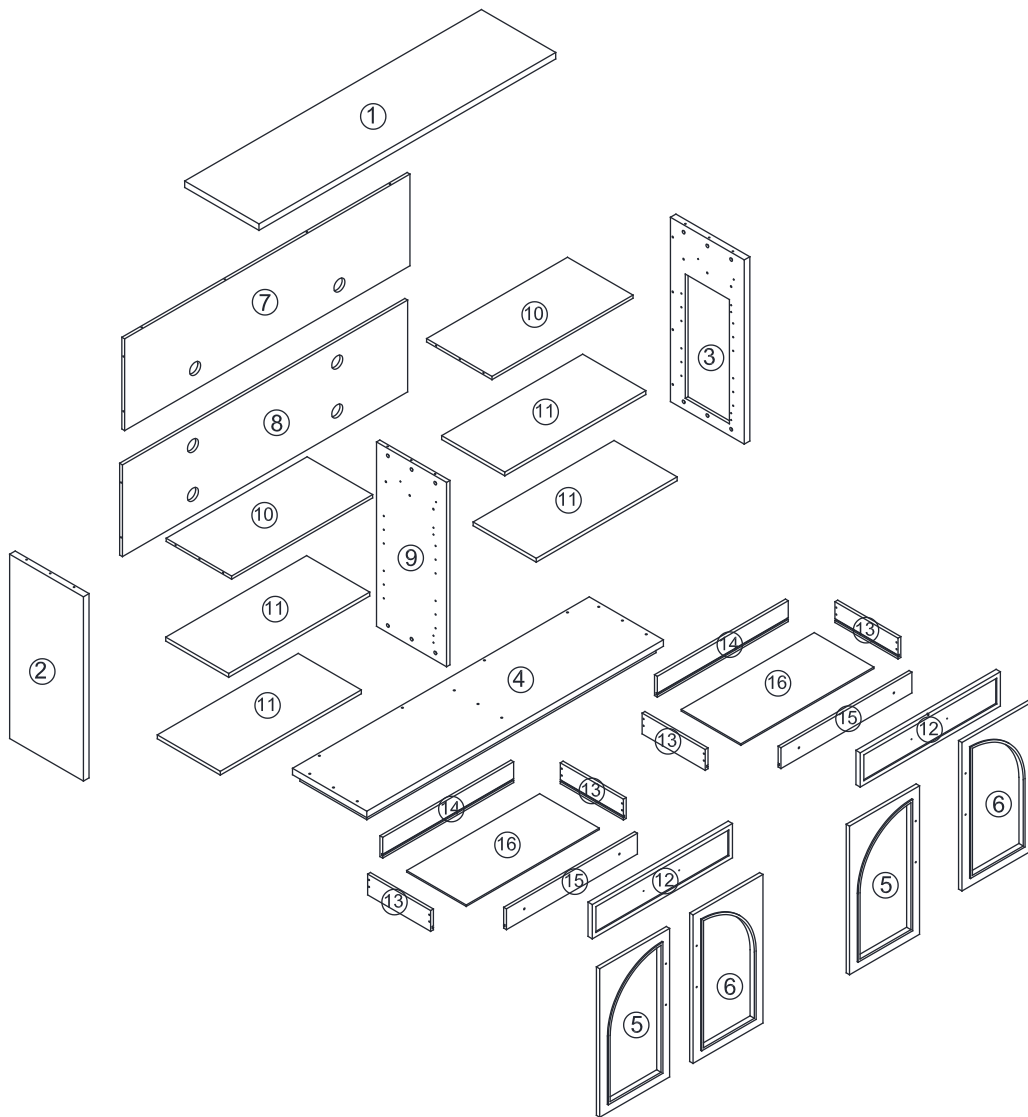
<b>O</b>	64 PCS
	
M3.5*14	

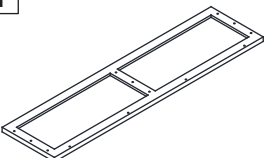


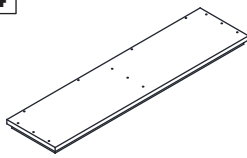

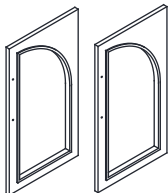
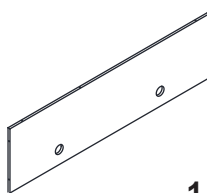
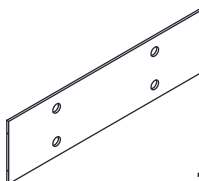

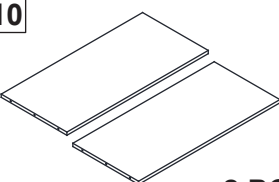
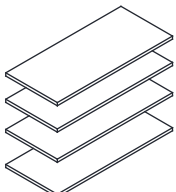
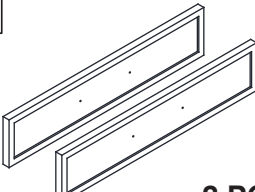
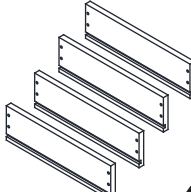
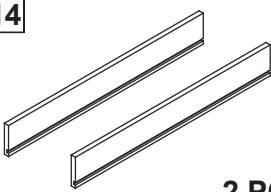
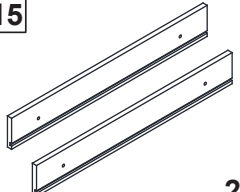
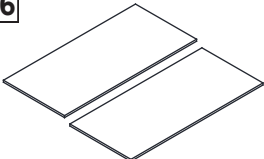
<b>P</b>	2 PCS
	
12"	

<b>Q</b>	2 PCS
	
12"	

<b>R</b>	2 PCS
	

Note: Extra hardware is included to ensure a safe and smooth installation.



<p><b>1</b></p>  <p><b>1 PC</b></p>	<p><b>2</b></p>  <p><b>1 PC</b></p>	<p><b>3</b></p>  <p><b>1 PC</b></p>	<p><b>4</b></p>  <p><b>1 PC</b></p>	<p><b>5</b></p>  <p><b>2 PC</b></p>
<p><b>6</b></p>  <p><b>2 PC</b></p>	<p><b>7</b></p>  <p><b>1 PC</b></p>	<p><b>8</b></p>  <p><b>1 PC</b></p>	<p><b>9</b></p>  <p><b>1 PC</b></p>	<p><b>10</b></p>  <p><b>2 PC</b></p>
<p><b>11</b></p>  <p><b>4 PC</b></p>	<p><b>12</b></p>  <p><b>2 PC</b></p>	<p><b>13</b></p>  <p><b>4 PC</b></p>	<p><b>14</b></p>  <p><b>2 PC</b></p>	<p><b>15</b></p>  <p><b>2 PC</b></p>
<p><b>16</b></p>  <p><b>2 PC</b></p>				

# Matters Need Attention

If you have any questions or concerns, please contact us:  
hairui2023@outlook.com

## During Installation

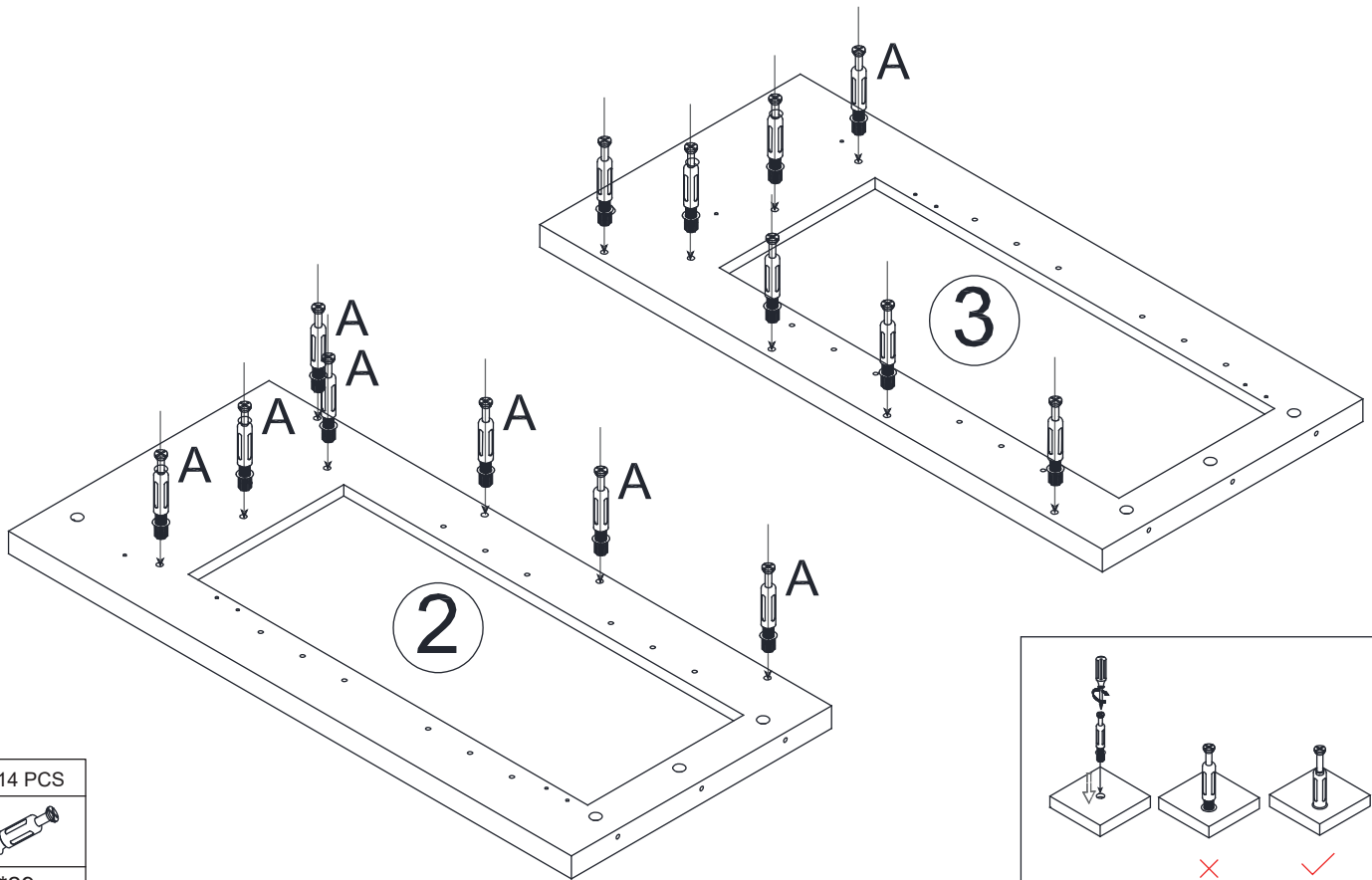
1. Do not discard packing material until assembly is complete, as small parts may loosen inside the carton during shipping. If there is a missing part, please contact our after-sales team.
2. Please assemble this item on soft surfaces such as carpets to protect the finish.
3. Pay attention to stability when assembling to avoid falling or scratching.

## Cleaning and Maintenance

1. To protect the finish, avoid chemicals and household cleaners.
2. Keep away from the heat source to prolong the service life.
3. Wipe off any remaining liquid on the surface with a damp cloth.

**STEP 1**

Install accessory A on plates No.2 and No.3



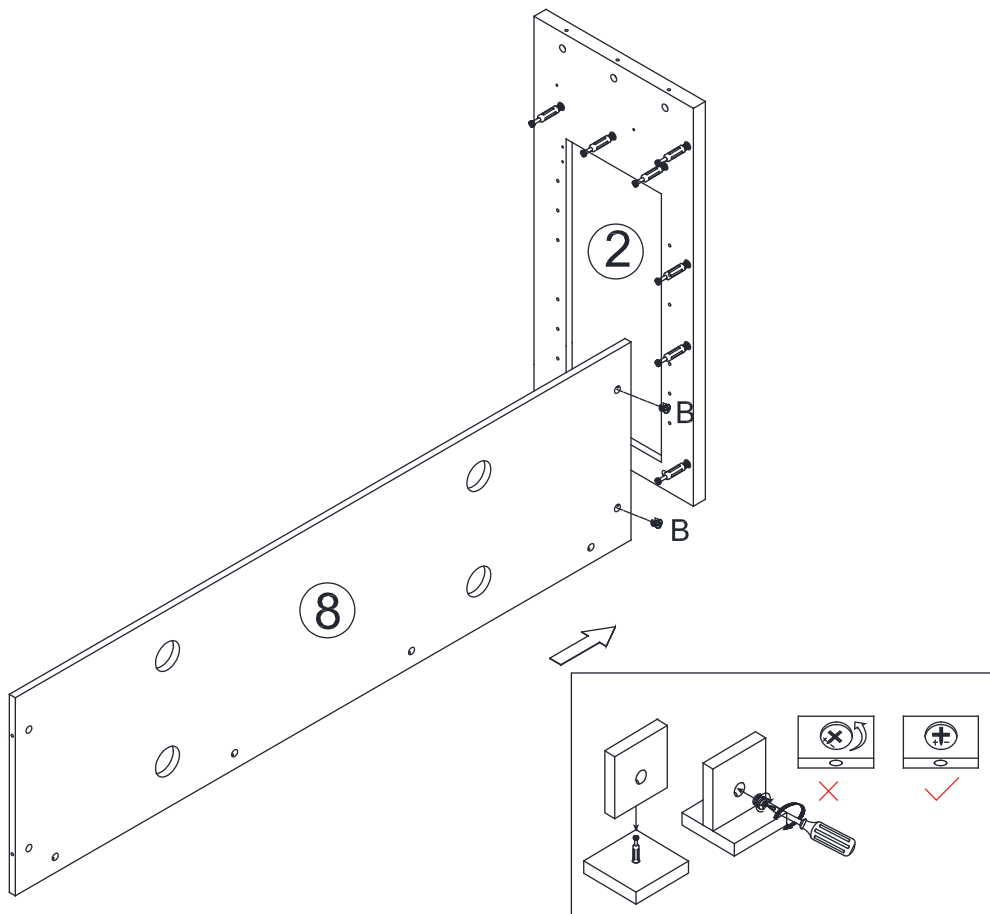
**A** 14 PCS



Ø6\*29mm

**STEP 2**

Connect plate No.8 to plate No.2 and secure with accessory B



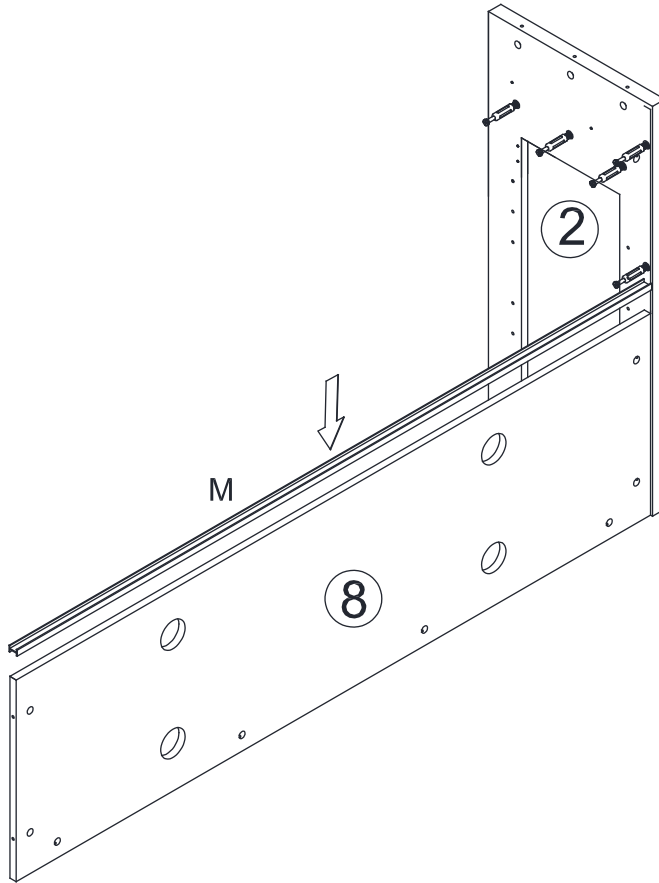
**B** 2 PCS



Ø15\*12mm

**STEP 3**

Install accessory M onto plate No.8



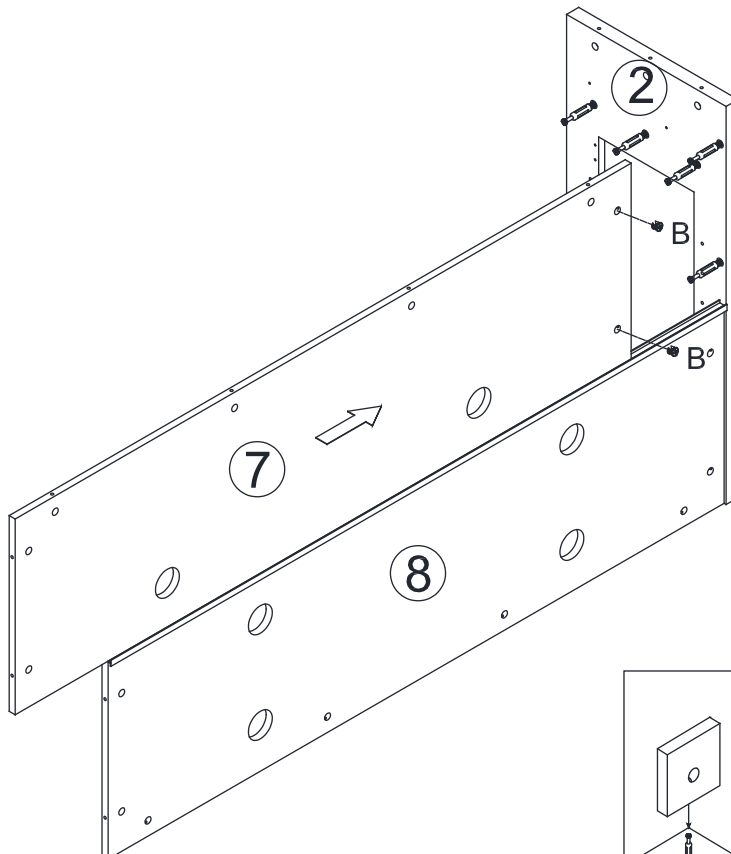
**M** 1 PCS



M3\*1538

**STEP 4**

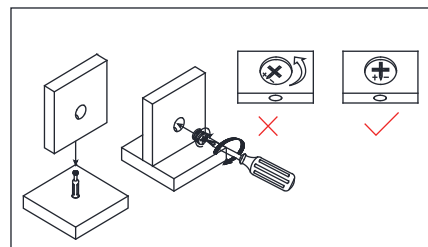
Connect plate No.7 to plate No.8 via accessory M, then to plate No.2, and secure with accessory B



**B** 2 PCS

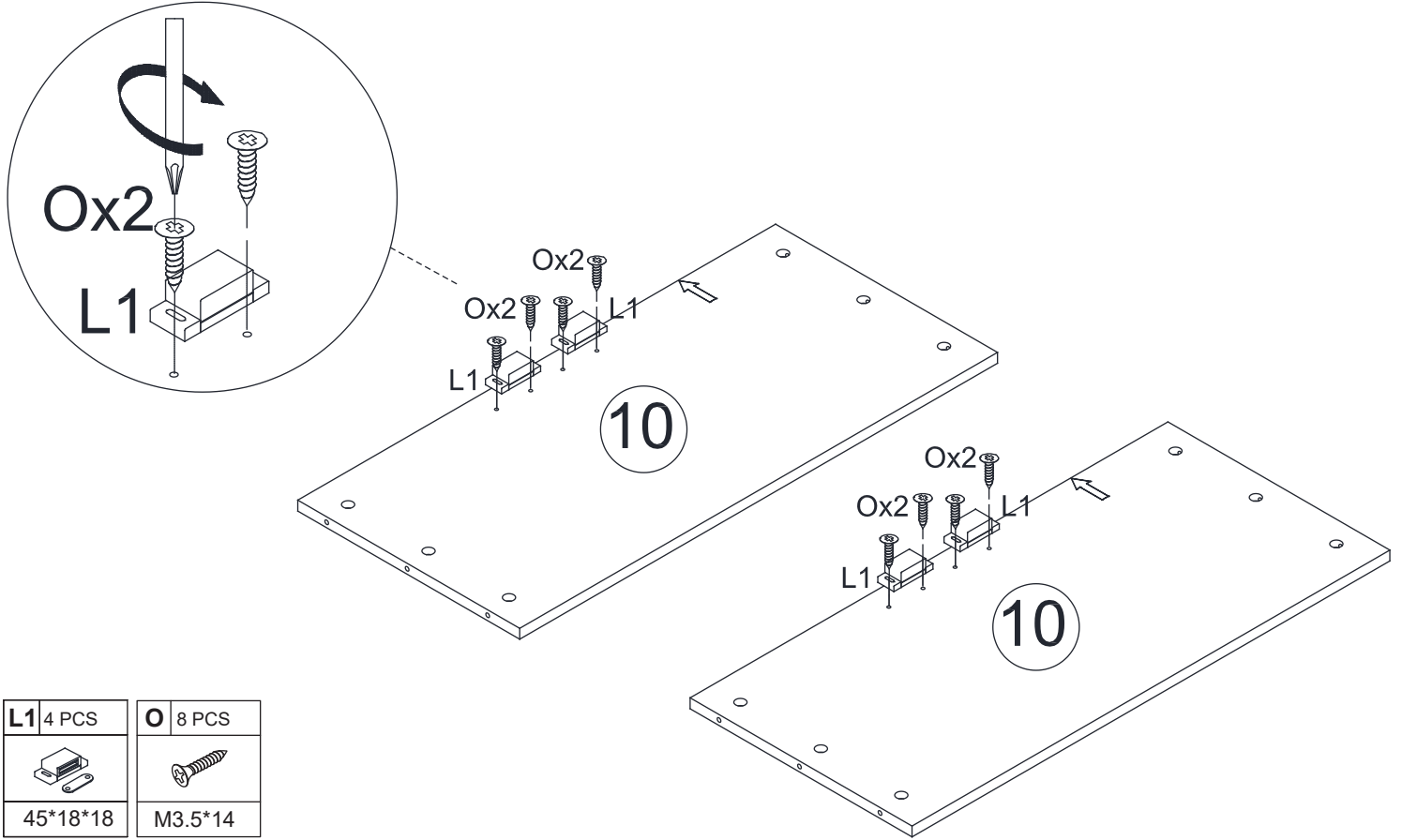


Ø15\*12mm



**STEP 5**

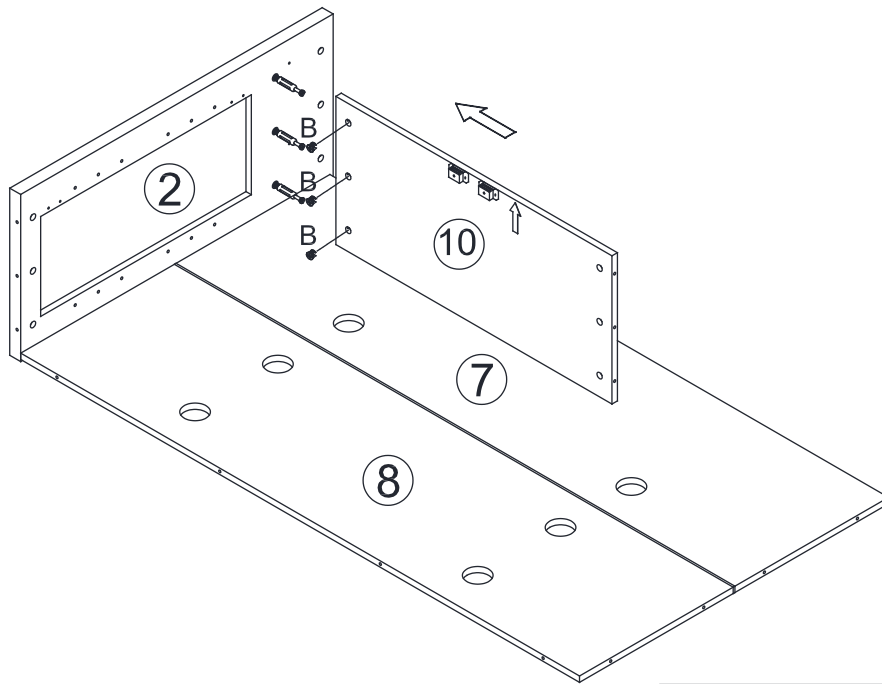
Install the component L1 on two No.10 boards and secure it with component O



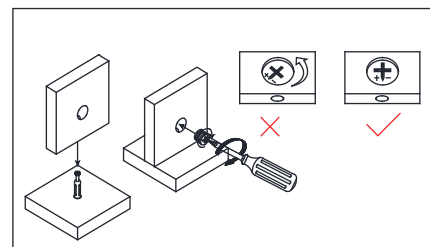
<b>L1</b> 4 PCS	<b>O</b> 8 PCS
45*18*18	M3.5*14

**STEP 6**

Connect plate No.10 to plate No.2 and secure with accessory B

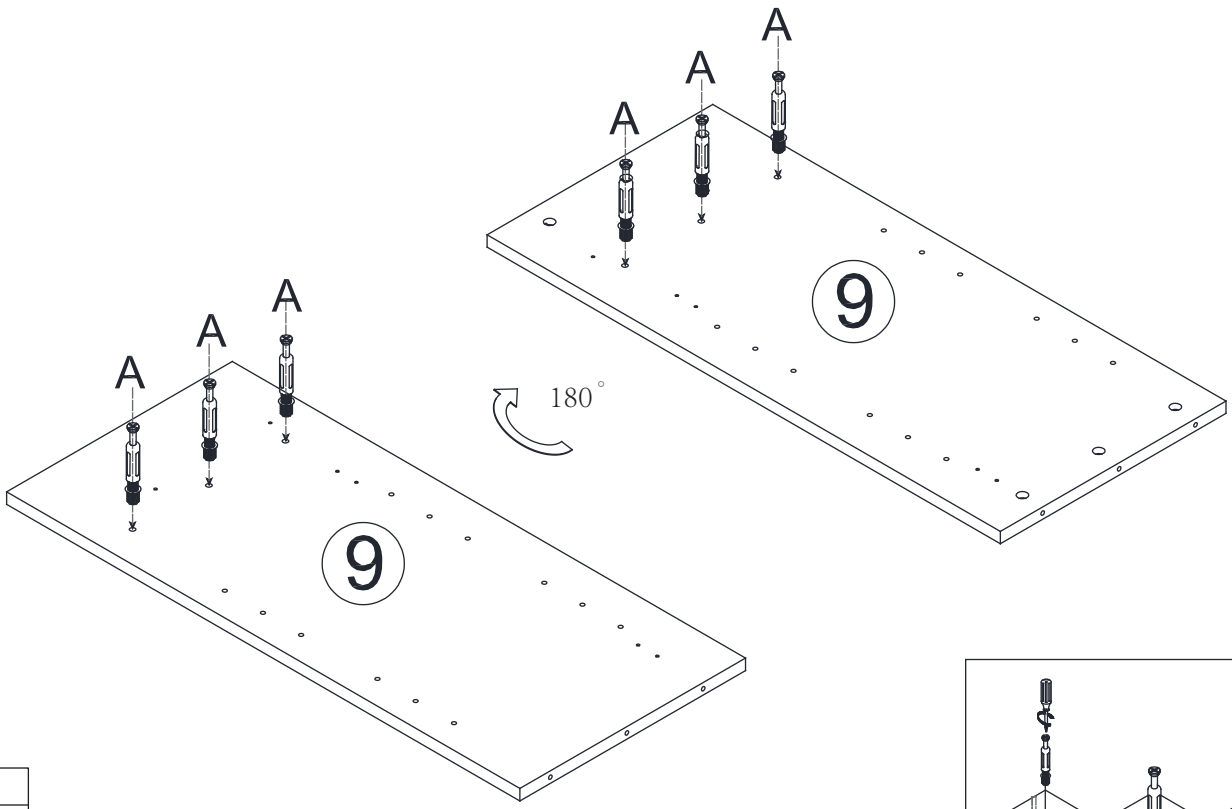


<b>B</b> 3 PCS
Ø15*12mm

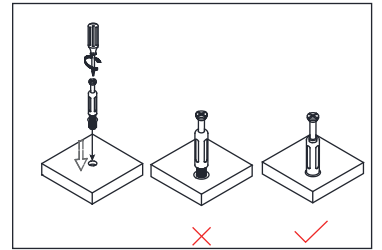


**STEP 7**

Install component A on both sides of board No.9

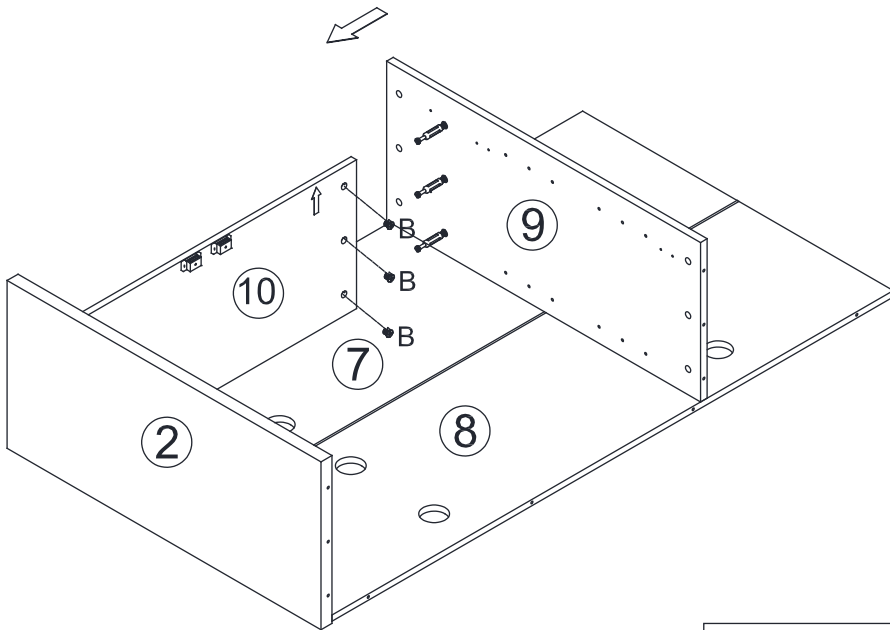


<b>A</b>	6 PCS
Ø6*29mm	

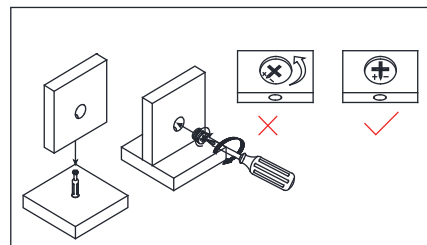


**STEP 8**

Connect plate No.9 to plate No.10 and secure with accessory B

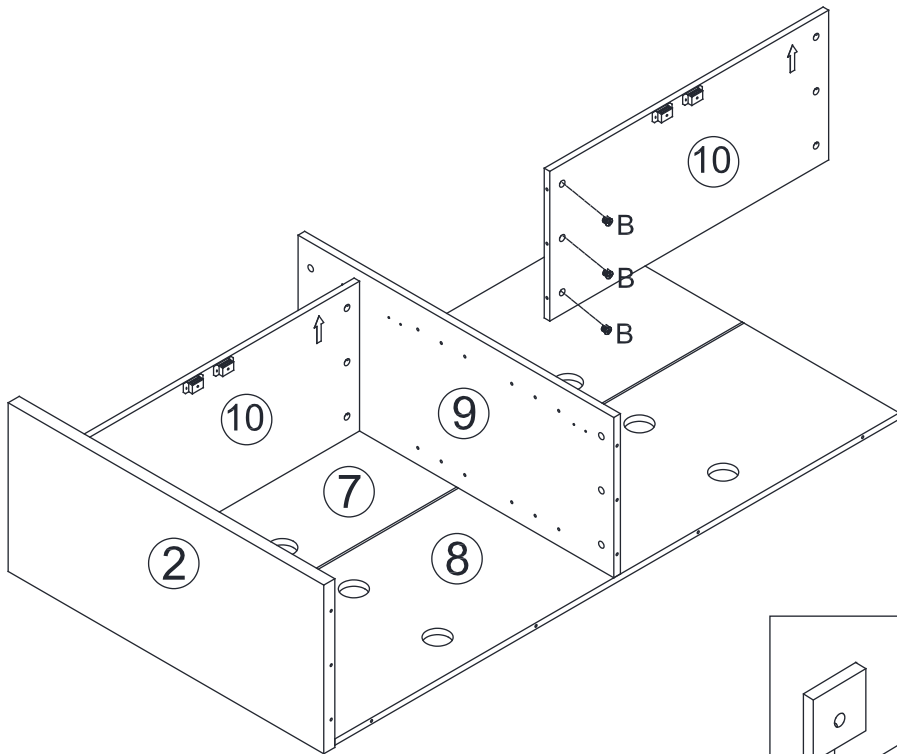


<b>B</b>	3 PCS
Ø15*12mm	

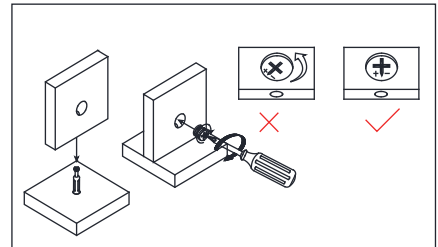


**STEP 9**

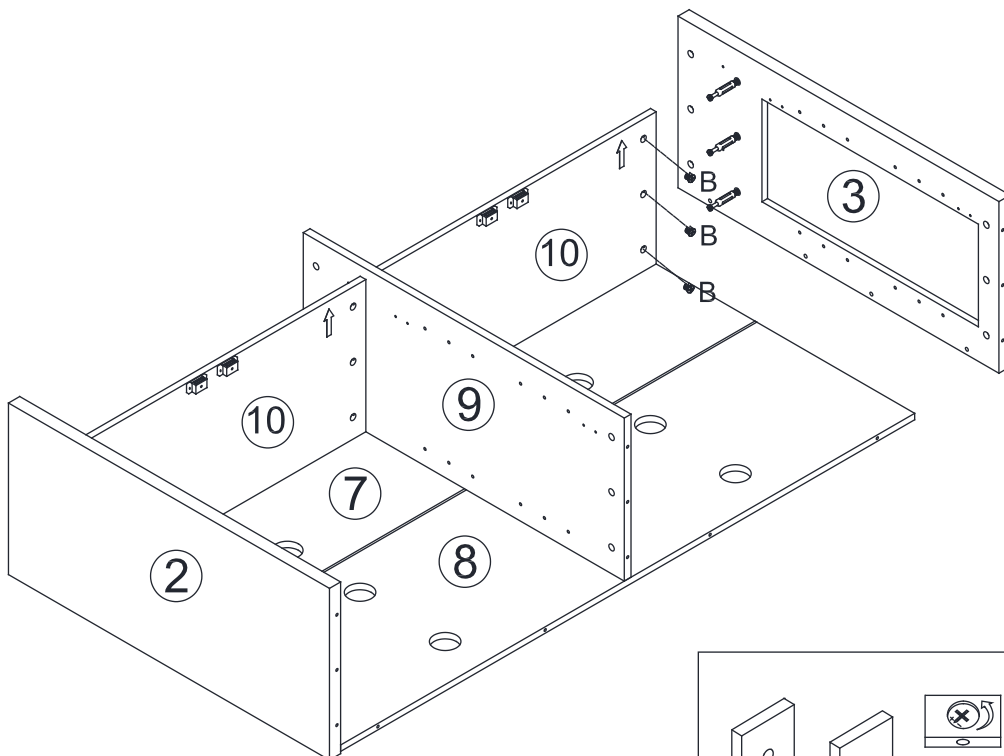
Connect plate No.10 to plate No.9 and secure with accessory B

**B** 3 PCS

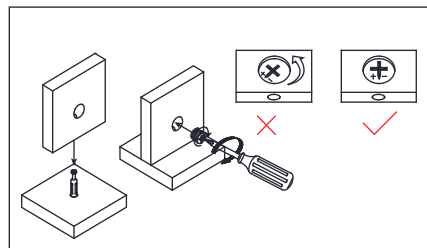
Ø15\*12mm

**STEP 10**

Connect plate No.3 to plate No.10 and secure with accessory B

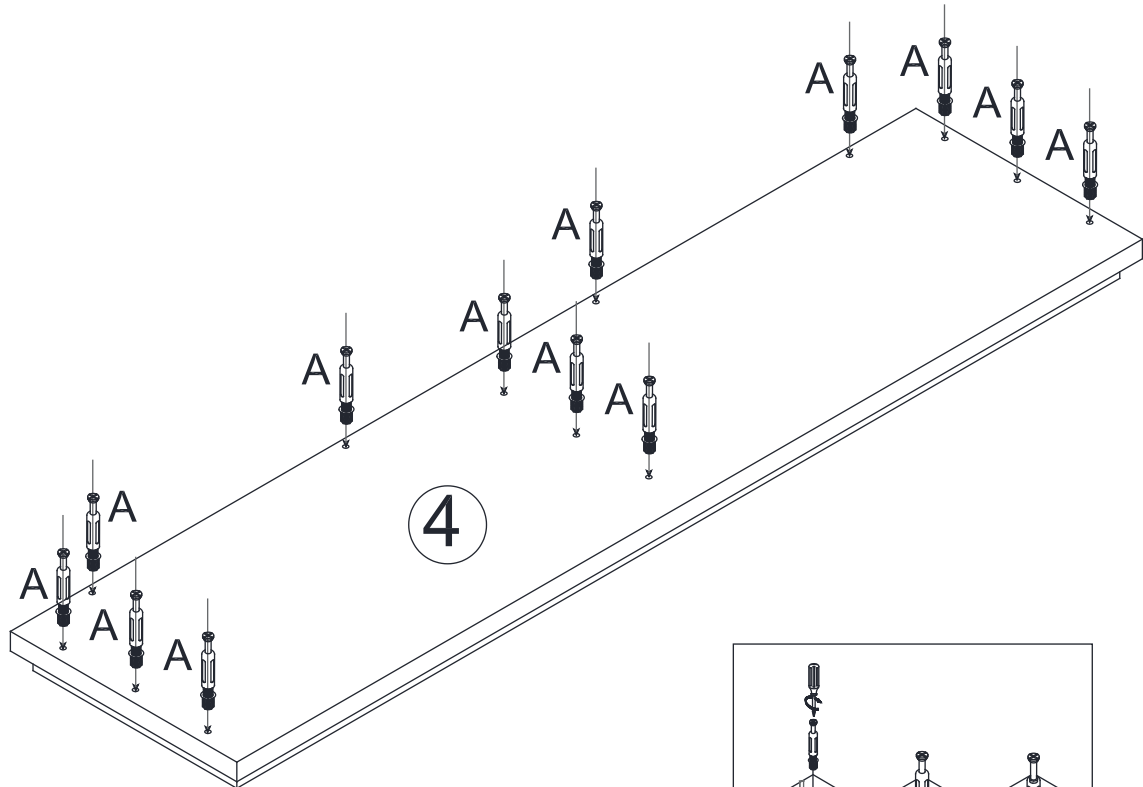
**B** 3 PCS

Ø15\*12mm

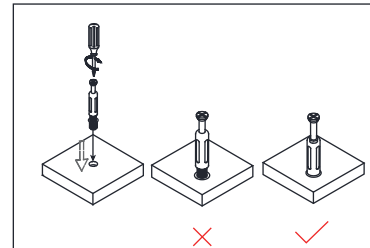


**STEP 11**

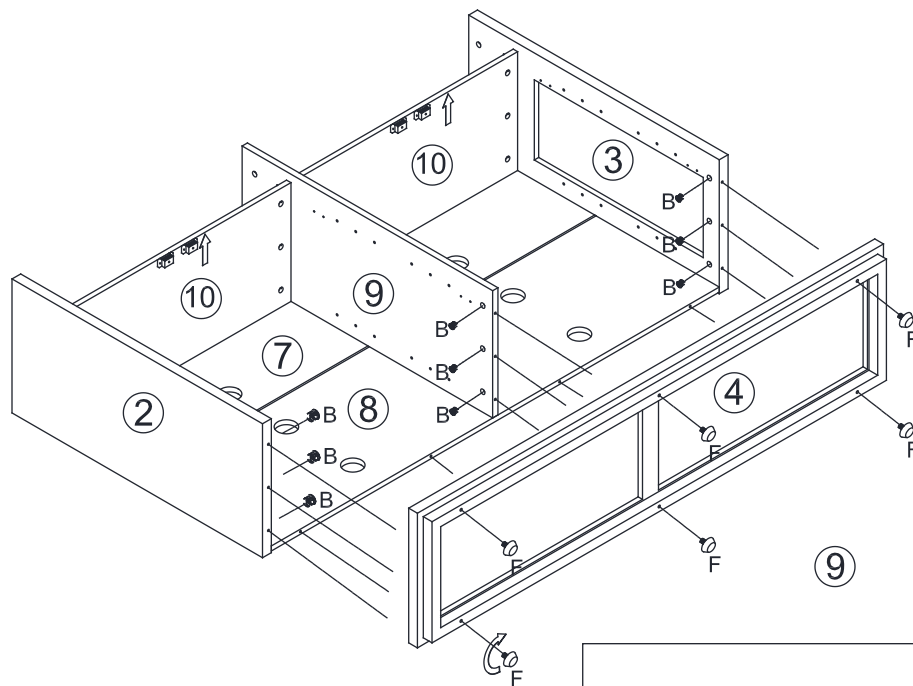
Install component A on board No.4

**A** 13 PCS

Ø6\*29mm

**STEP 12**

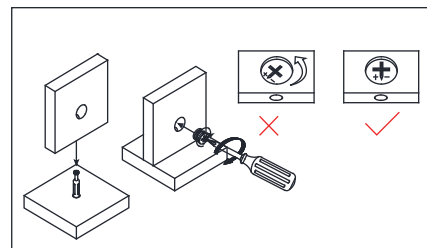
Connect the previously assembled parts to Plate No.4 and secure them with Accessory B. Then install Accessory F on Plate No.4

**B** 9 PCS

Ø15\*12mm

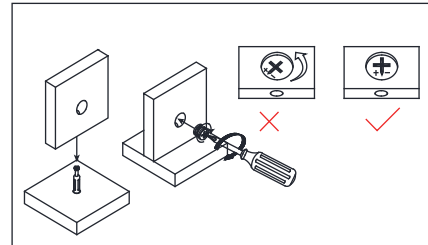
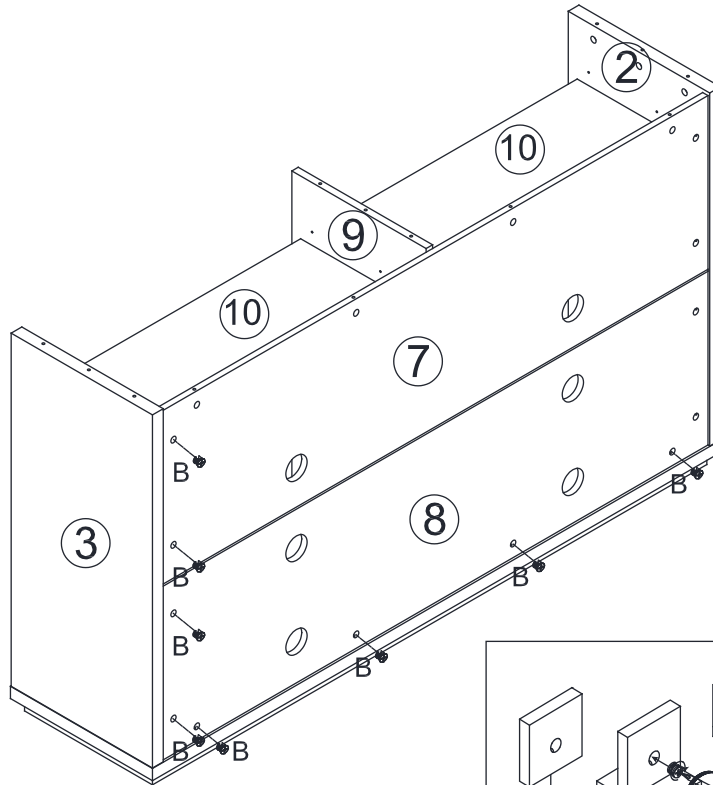
**F** 6 PCS

M6\*20



**STEP 13**

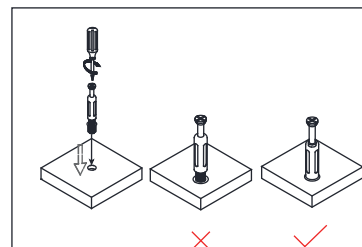
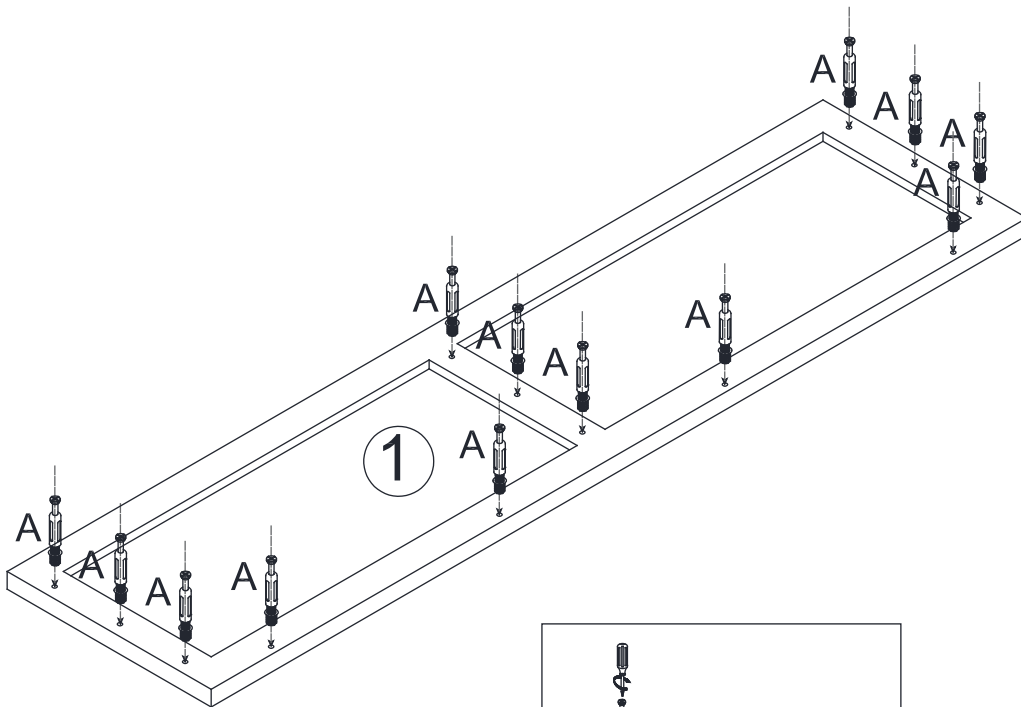
Install the B fixing component on the No.7th and No.8th plates

**B** 8 PCS

Ø15\*12mm

**STEP 14**

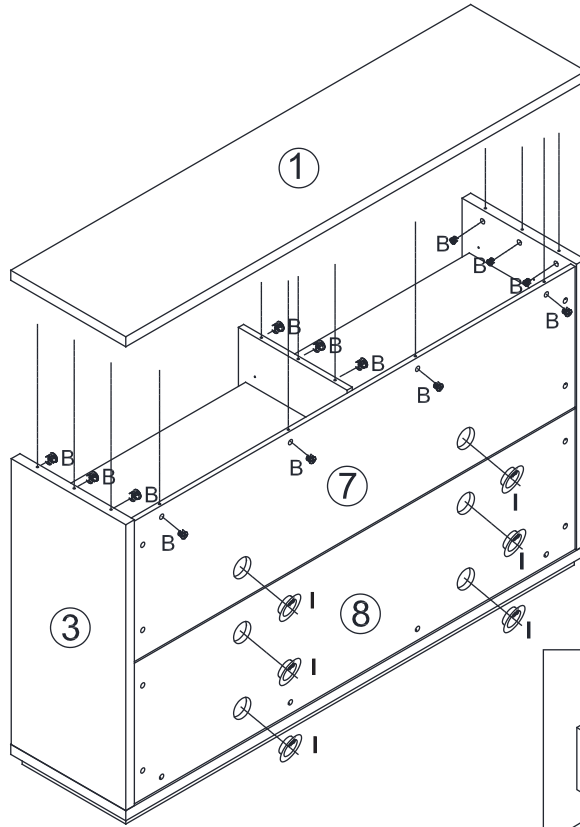
Install component A on board No.1

**A** 13 PCS

Ø6\*29mm

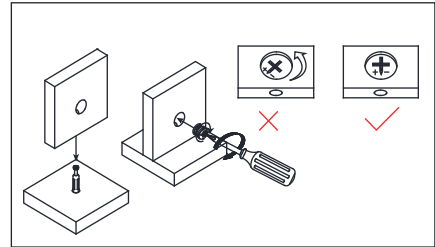
**STEP 15**

Install plate No.1 onto the assembled section and secure it with accessory B; then install accessory I on plates No.7 and No.8

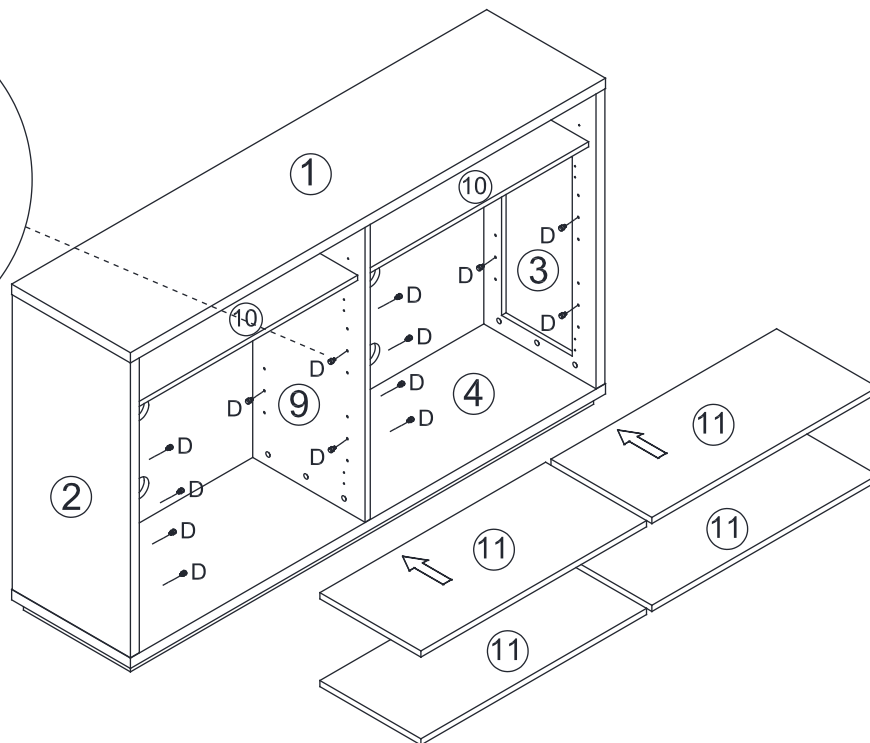
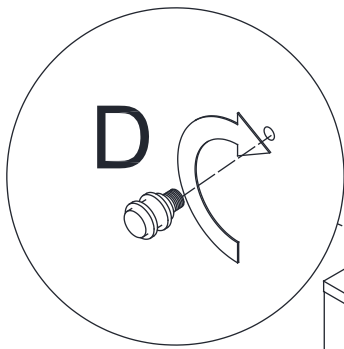
**B** 13 PCS**I** 6 PCS

Ø15\*12mm

M60

**STEP 16**

Install accessory D on boards No.2, No.9, and No.3, then place board No.11 on top of accessory D and insert it into the cabinet

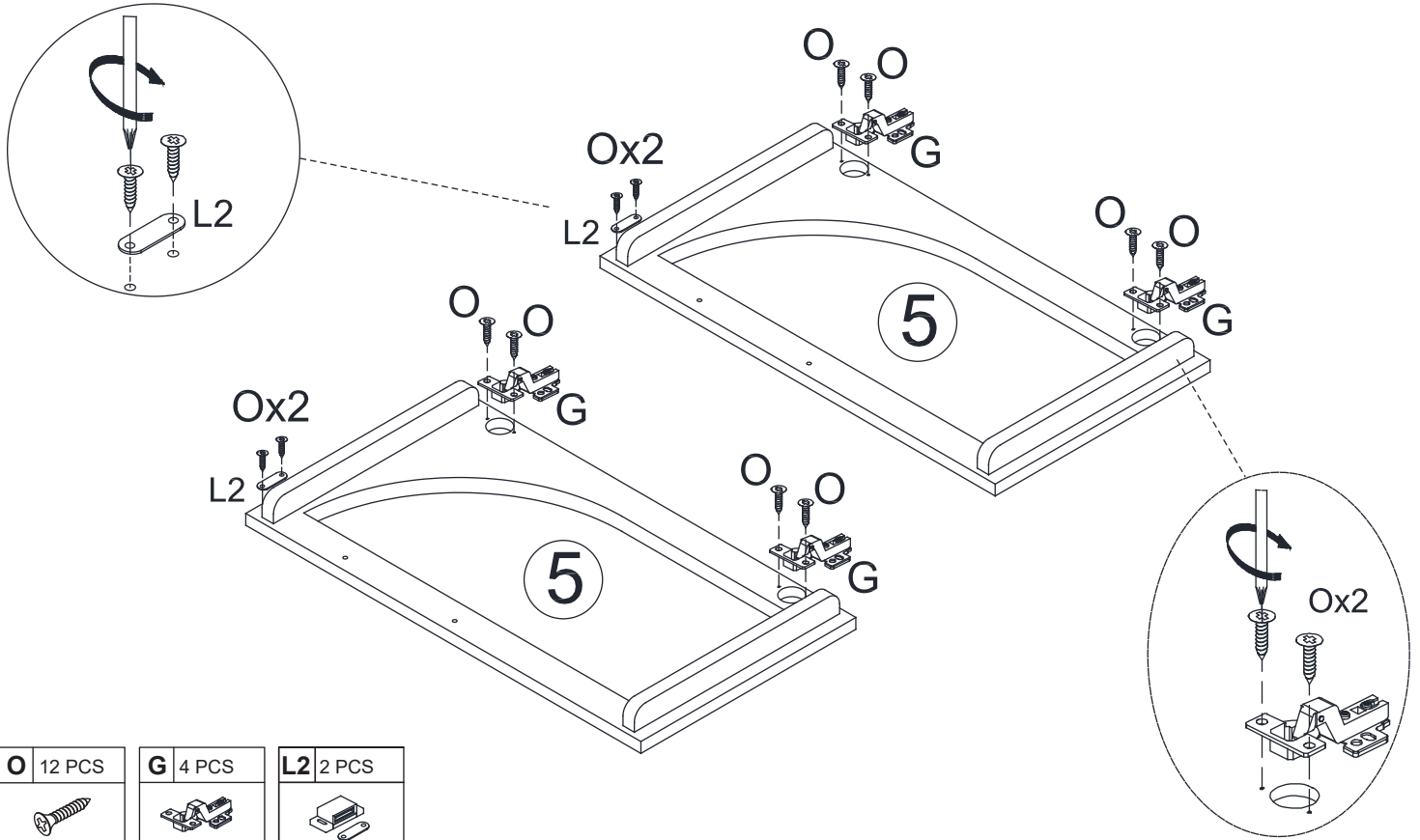
**D** 16 PCS




M6\*18

Tip: The height of the shelf can be adjusted by changing the installation position of accessory D.

**STEP 17**

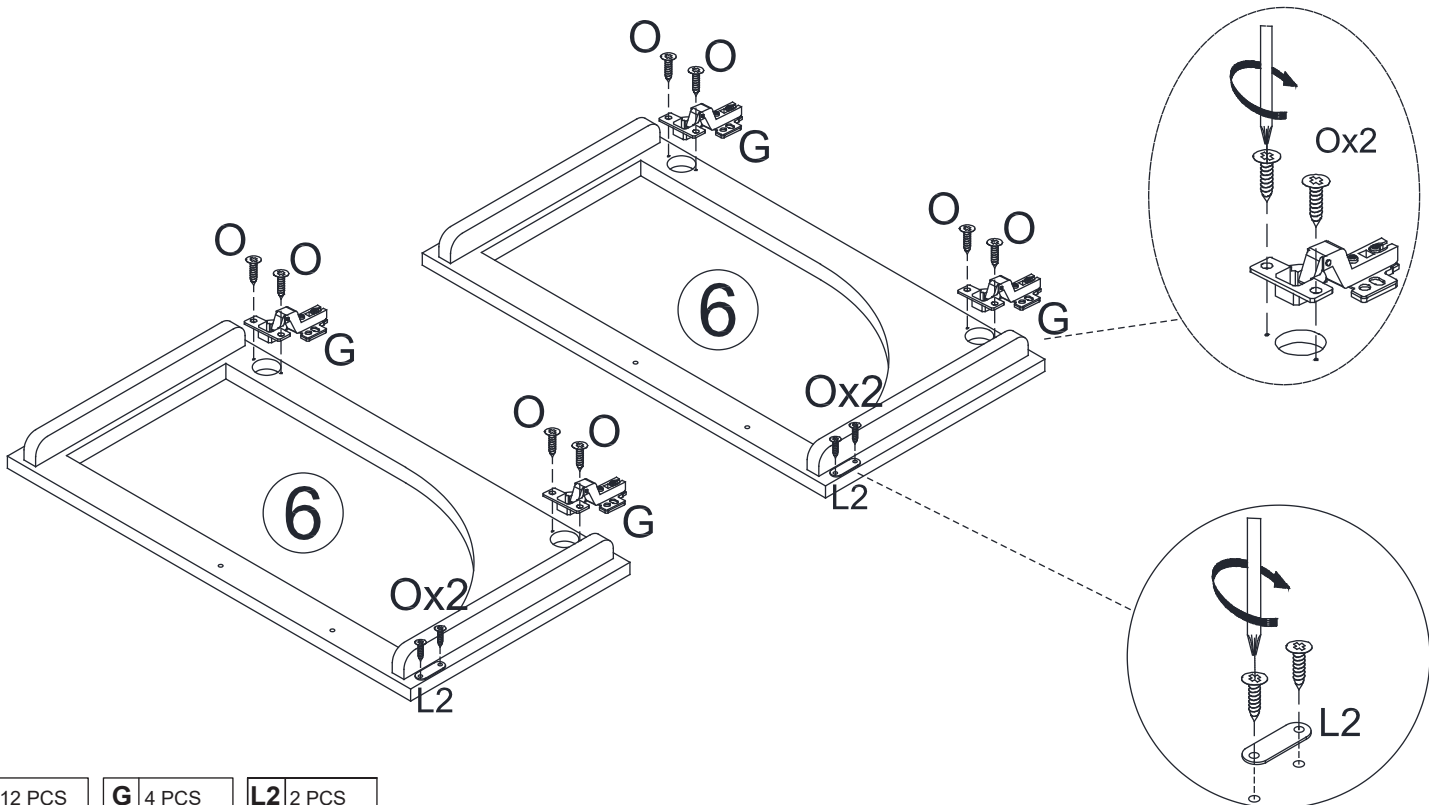
Install the G and L2 components on Board No.5,  
and secure them with O






<b>O</b> 12 PCS	<b>G</b> 4 PCS	<b>L2</b> 2 PCS
		
M3.5*14	M35	45*18*18

**STEP 18**

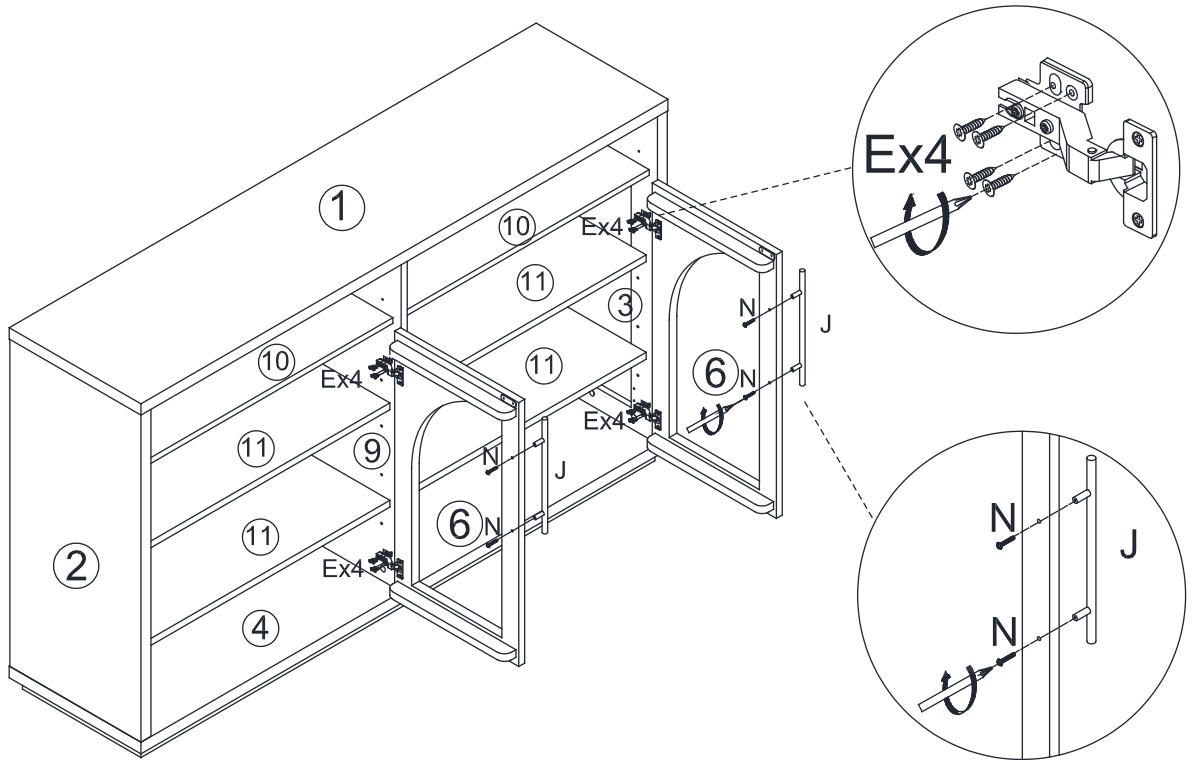
Install the G and L2 components on Board No.6, and secure them with O



<b>O</b> 12 PCS	<b>G</b> 4 PCS	<b>L2</b> 2 PCS
		
M3.5*14	M35	45*18*18

**STEP 19**

Install Plate No.6 on both Plate No.3 and Plate No.9, securing them with Accessory E. Then attach Accessory J to Plate No.6 and fasten it with Accessory N

**E** 16 PCS**J** 2 PCS**N** 4 PCS

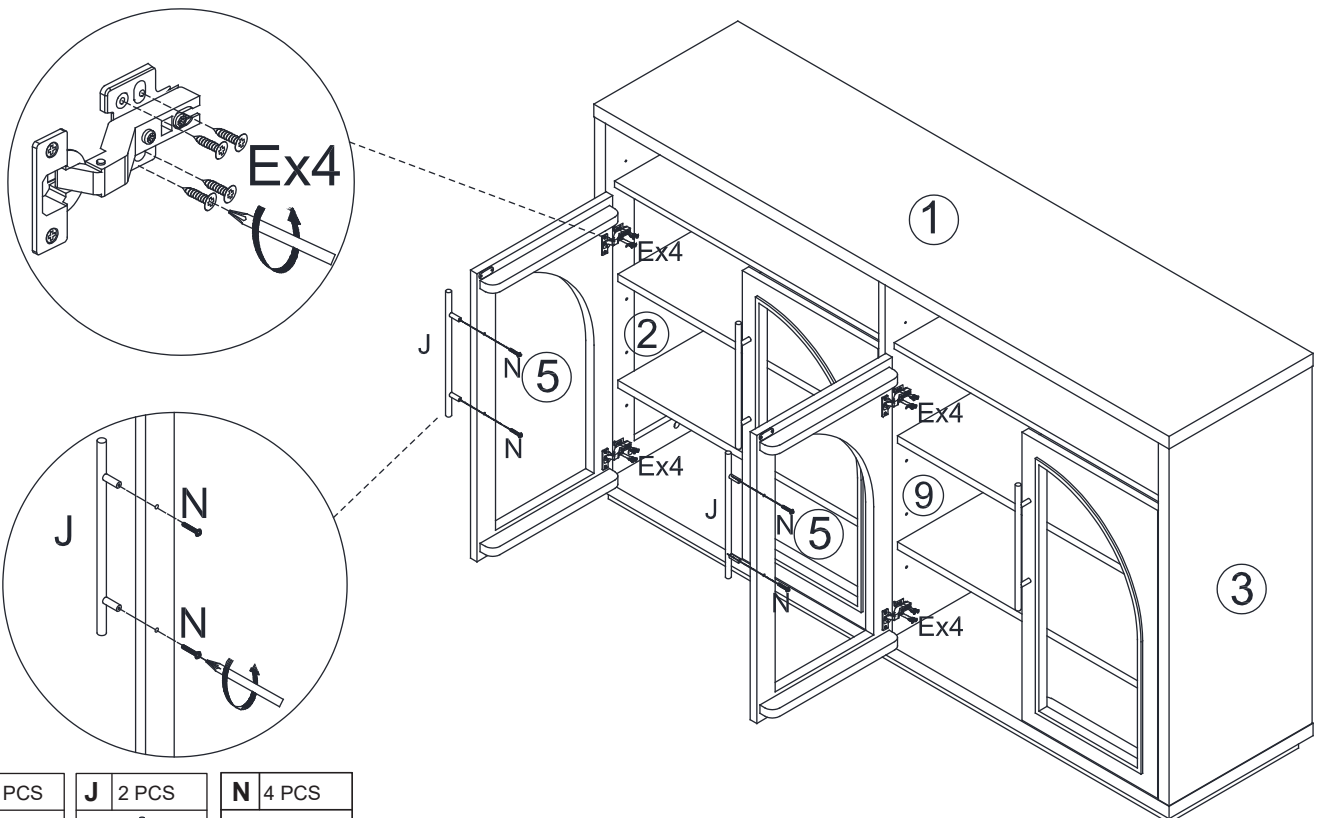
M3.5\*16

M192

M3.5\*22

**STEP 20**

Install Plate No.5 on both Plate No.2 and Plate No.9, securing them with Accessory E. Then install Accessory J on Plate No.6, fastening it with Accessory N

**E** 16 PCS**J** 2 PCS**N** 4 PCS

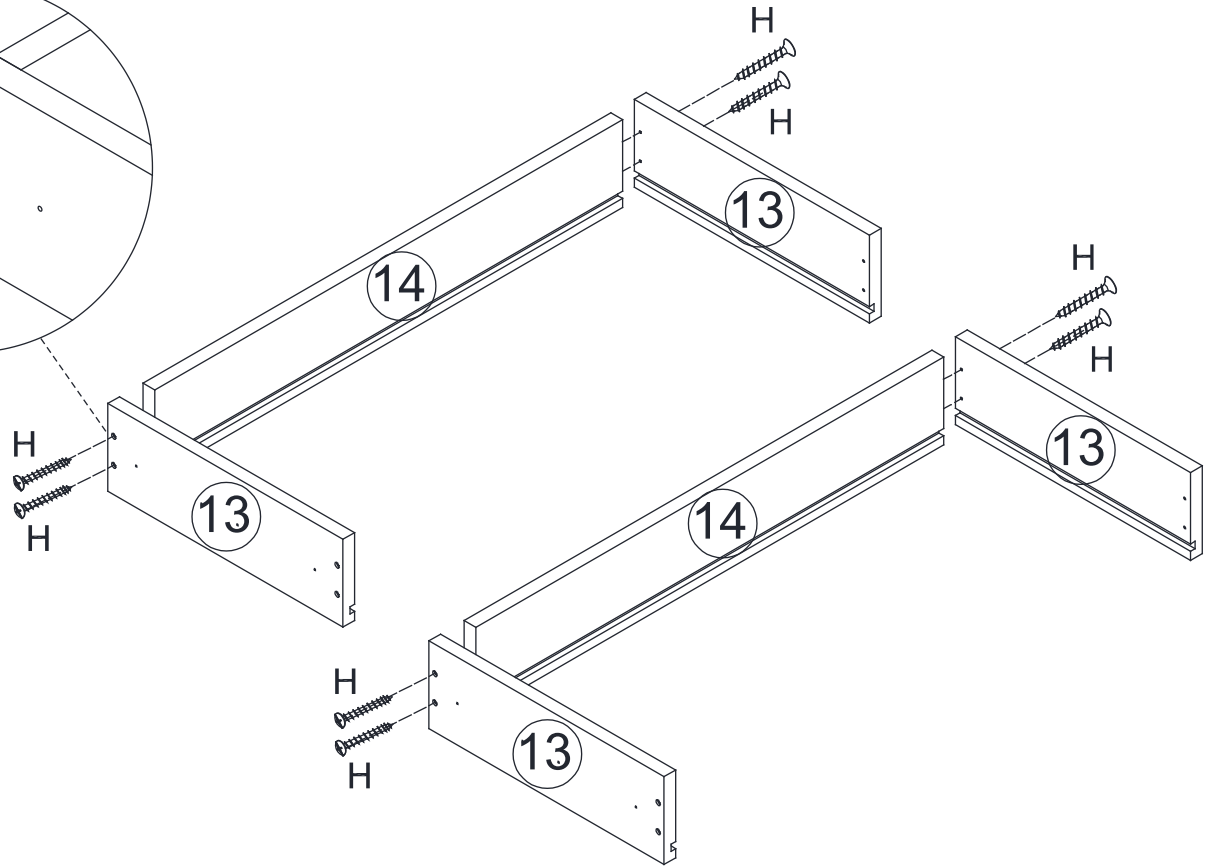
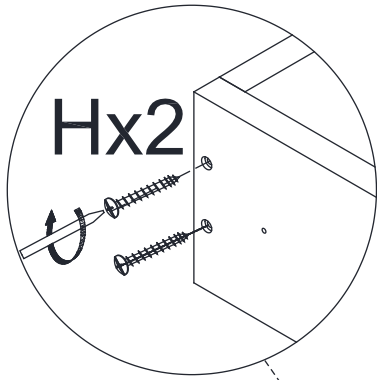
M3.5\*16

M192

M3.5\*22

**STEP 21**

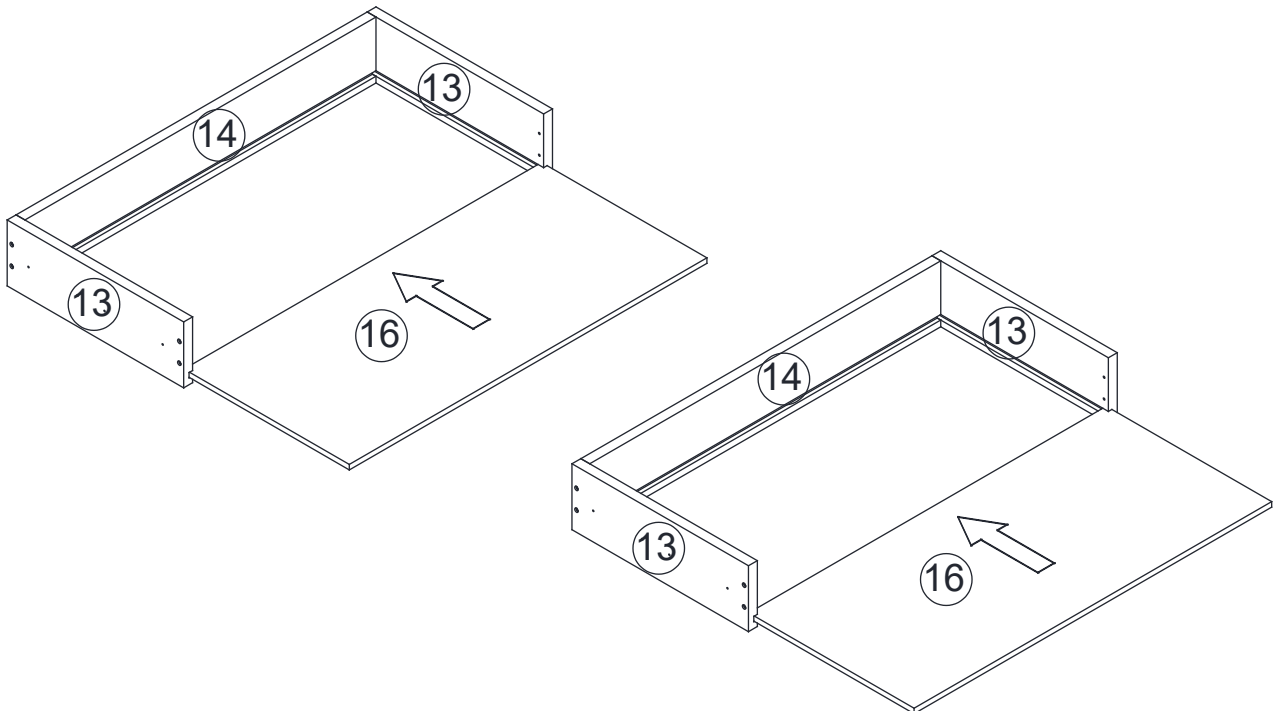
Connect plate No.14 to two plates No.13 using H fasteners

**H** 8 PCS

M4\*30

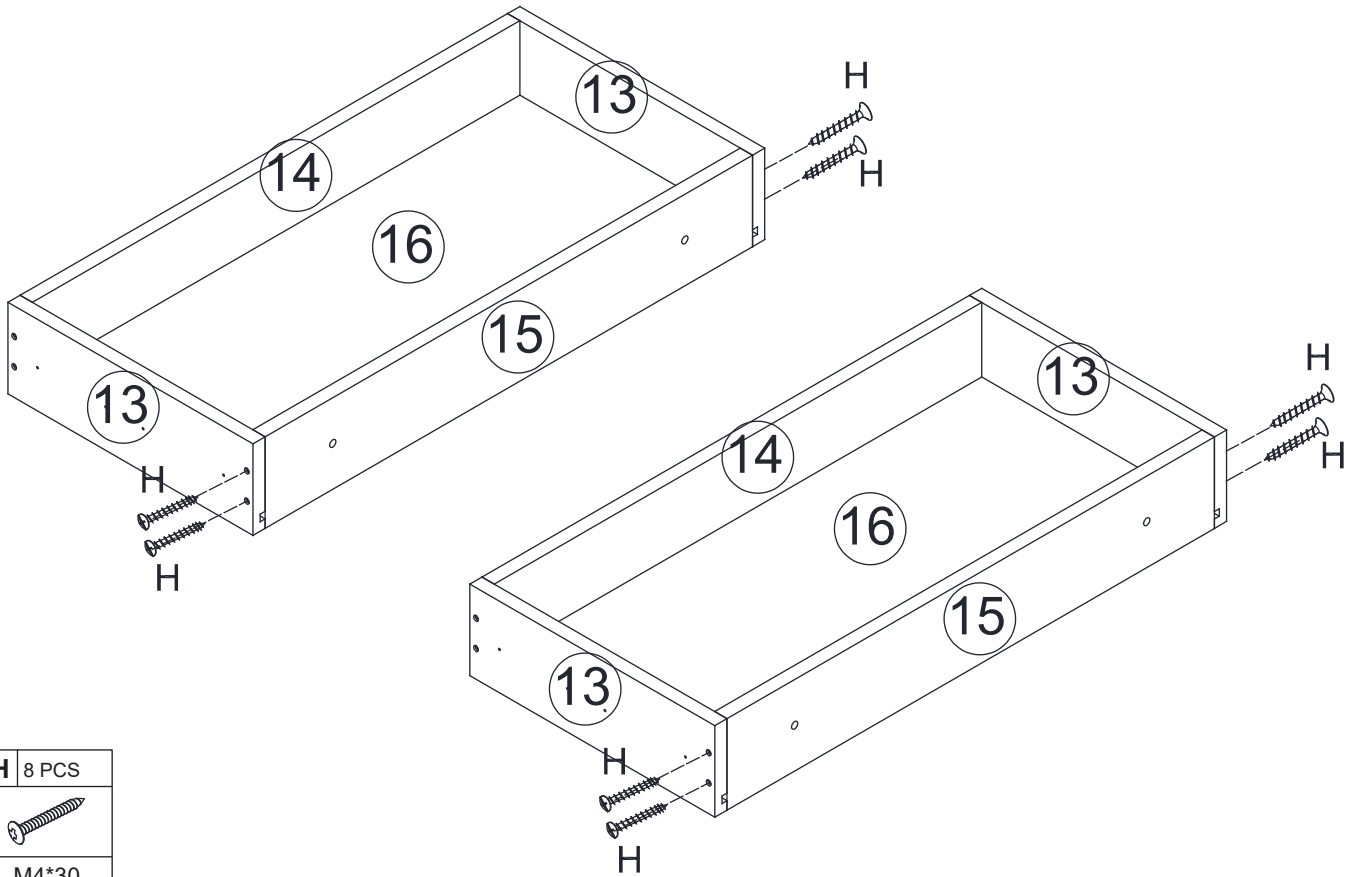
**STEP 22**


Insert plate No.16 into the groove of plate No.13



**STEP 23**

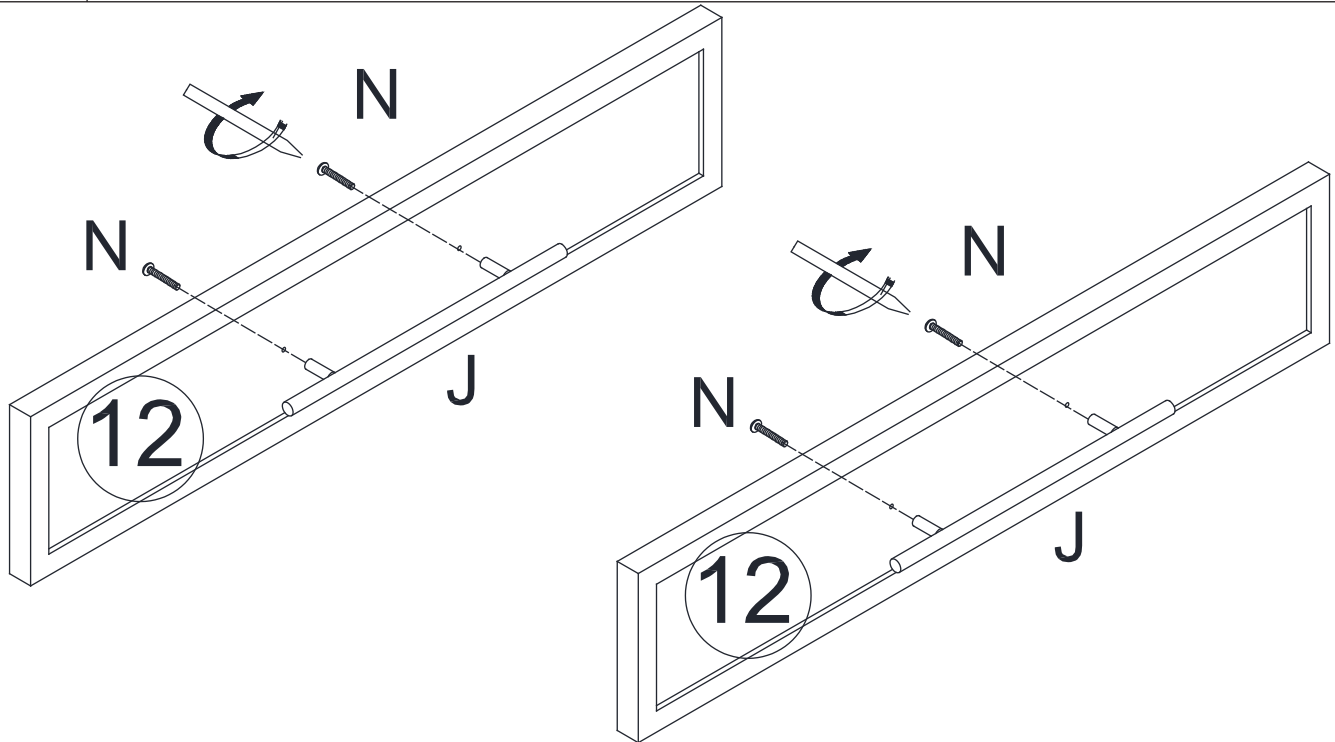
Connect plate No.15 to plate No.13 and secure with H





<b>H</b>	8 PCS
	
M4*30	

**STEP 24**

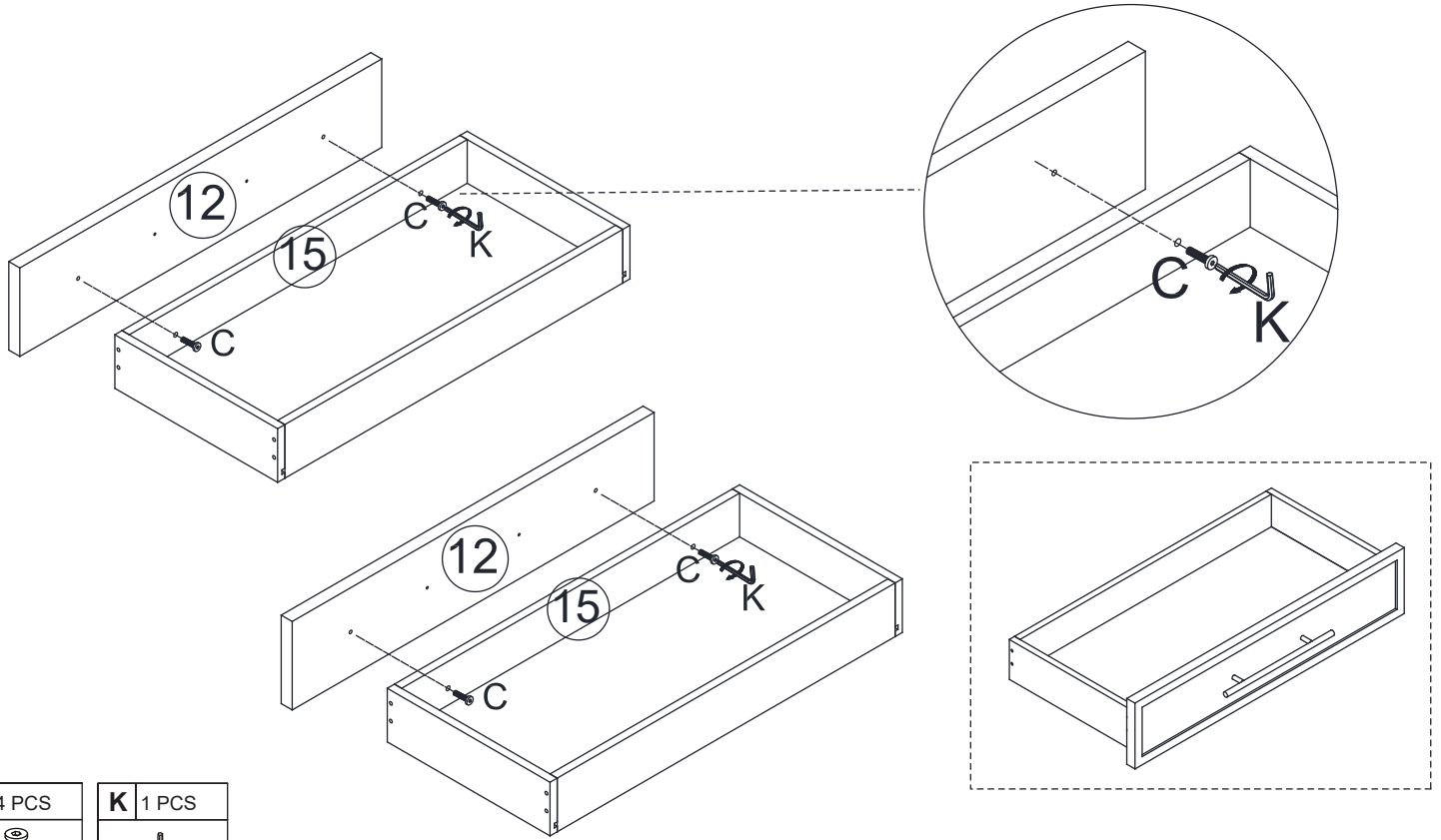
Mount accessory J onto plate No.12 and secure with N





<b>J</b>	2 PCS	<b>N</b>	4 PCS
			
M192		M3.5*22	

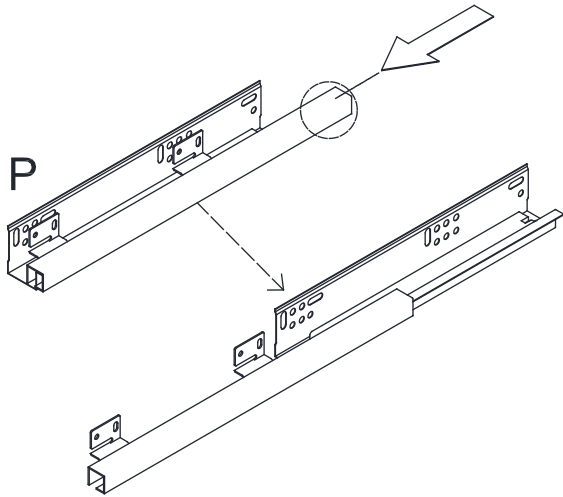
**STEP 25**

Connect plate No.12 with plate No.15 using C-type fasteners

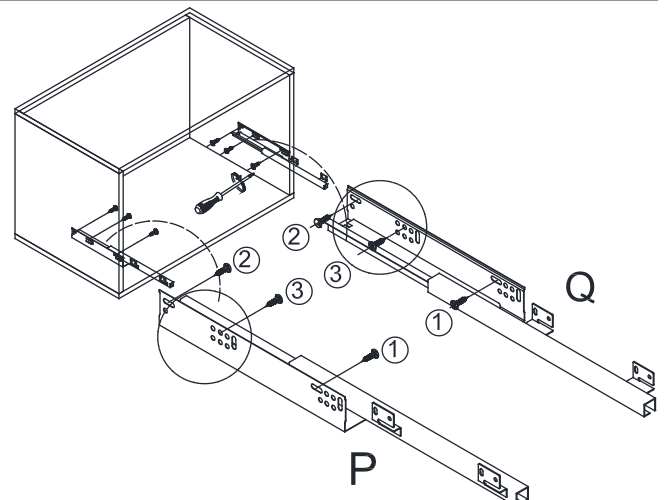


<b>C</b> 4 PCS	<b>K</b> 1 PCS
	
M6*25	M4

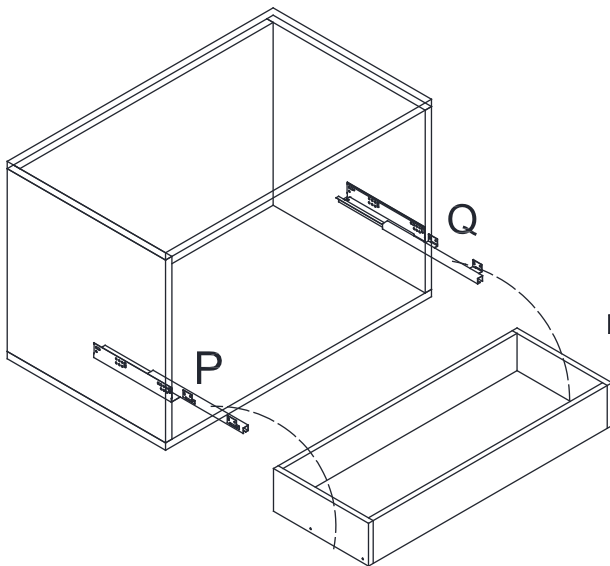
# Drawer Slide Installation Instruction



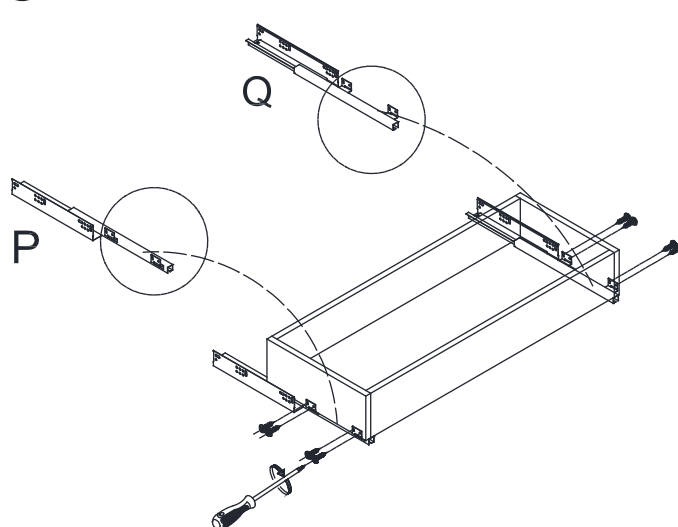
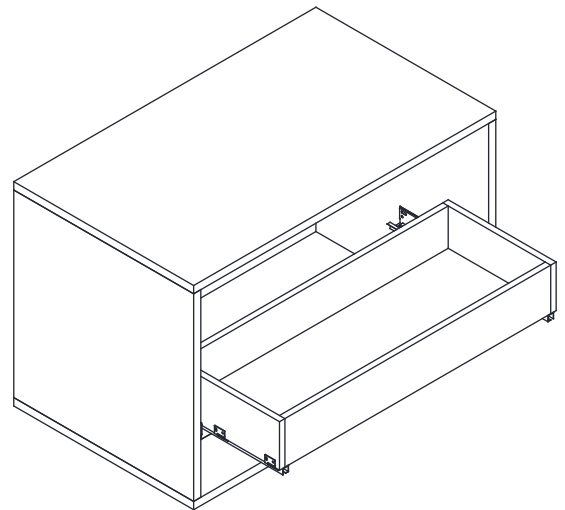
① Push the slide rail at this end outwards.



② Fix the slide rail at this end onto the cabinet body with screws.



③ Place the drawer on the slide.

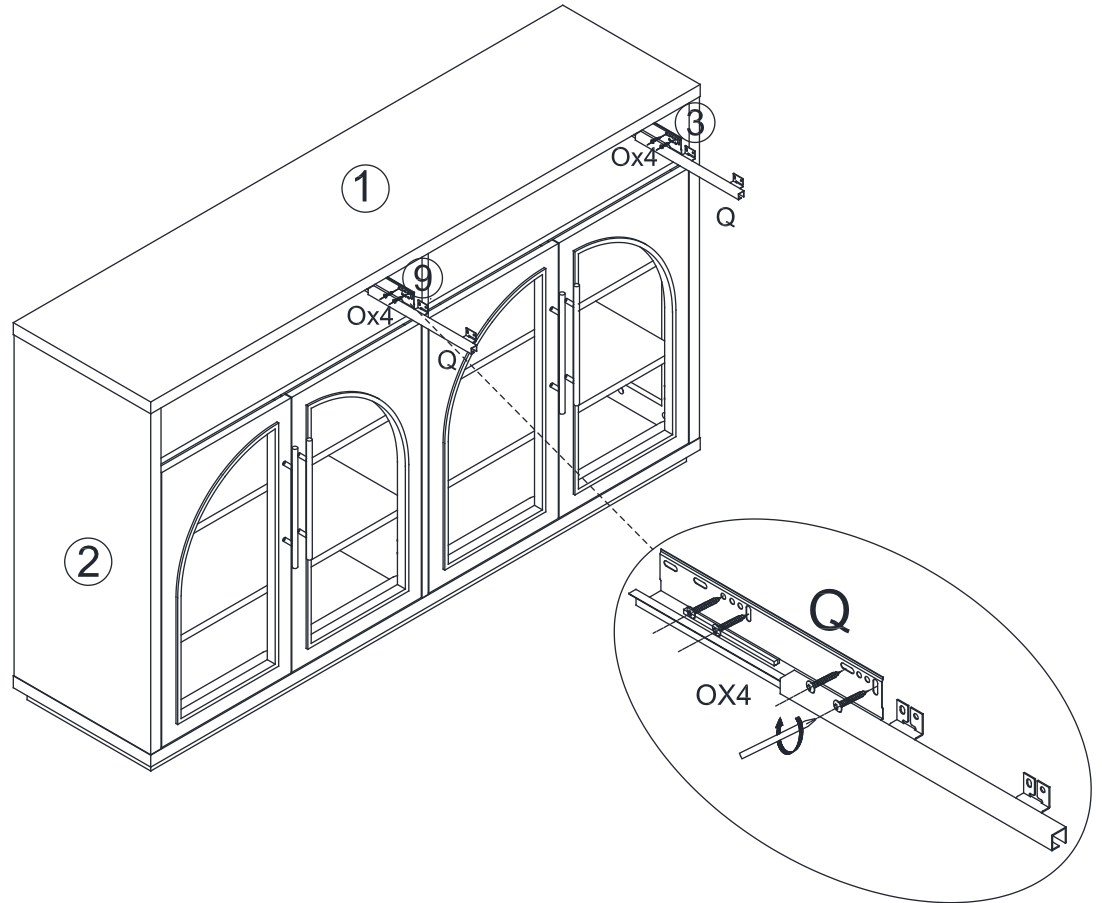




④ Secure this end of the slide track with screws and attach the drawer.

⑤ Once installed, the drawer can be pulled out and pushed in freely.

**STEP 26**

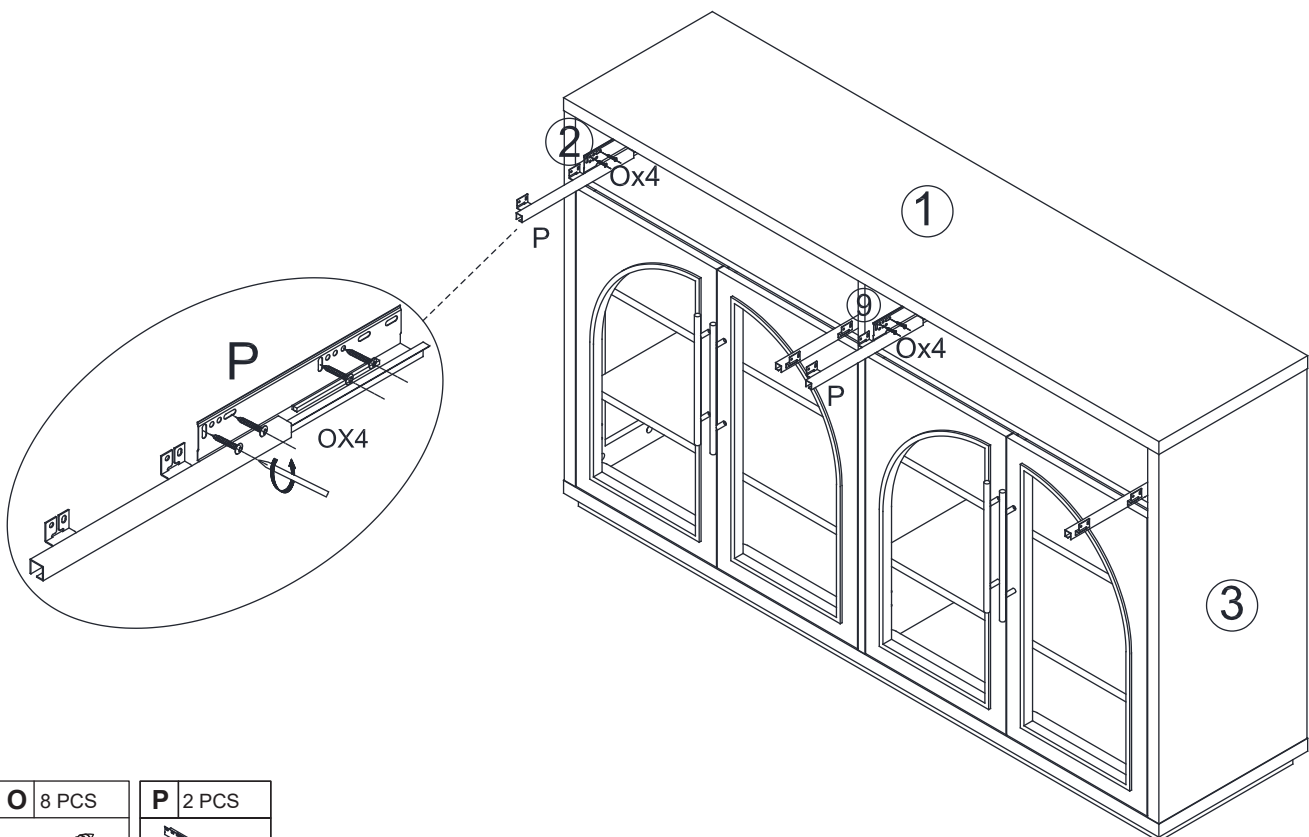
Mount accessory Q on plates No.3 and No.9, and secure with O-ring





<b>O</b> 8 PCS	<b>Q</b> 2 PCS
	
M3.5*14	10"

**STEP 27**

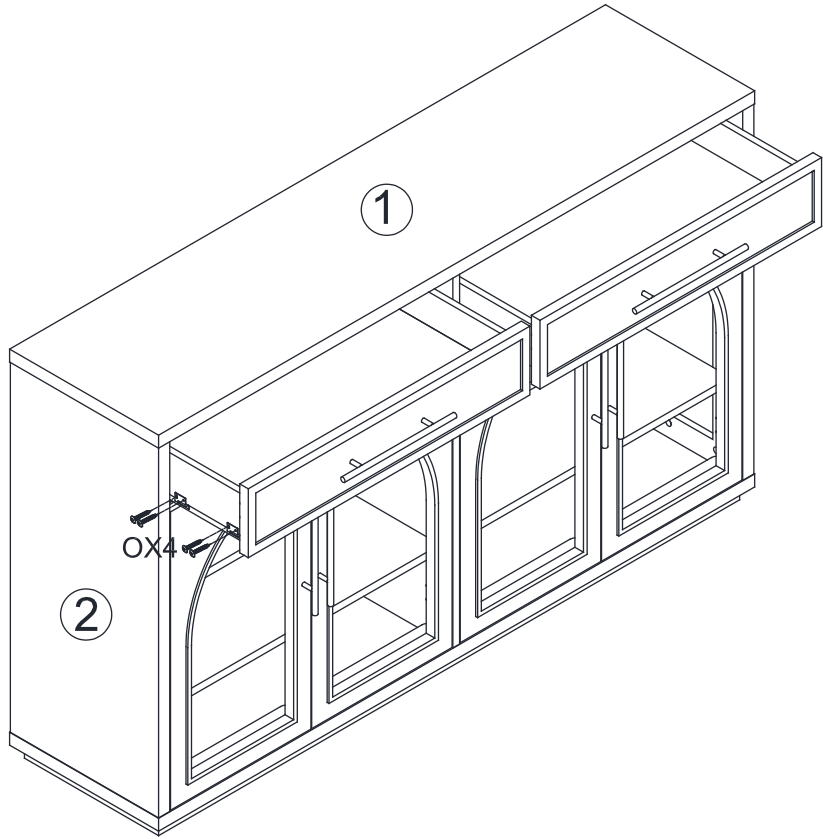
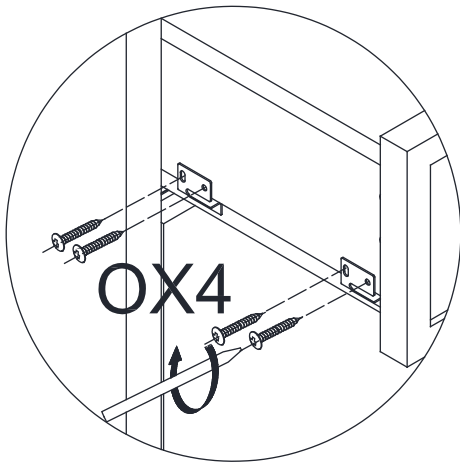
Mount accessory P onto plates No.2 and No.9, then secure with O-ring



<b>O</b> 8 PCS	<b>P</b> 2 PCS
	
M3.5*14	10"

**STEP 28**

Attach the drawer to Q and P using accessory O



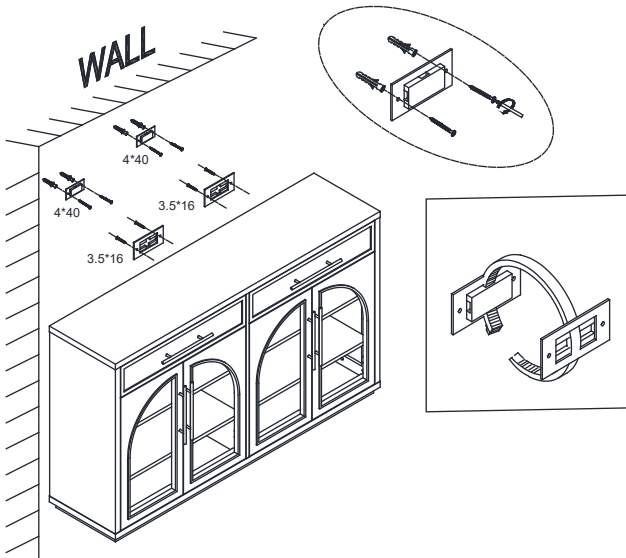
**O** 16 PCS



M3.5\*14

**STEP 29**

R1	R2	R3	R4	R5
X4	X4	3.5*16mm X4	4*40mm X4	X2



	<p>Children have died from furniture tipover. To reduce the risk of furniture tipover, ALWAYS install tipover restraint provided. NEVER put a TV on this product. NEVER allow children to stand, climb or hang on drawers, doors or shelves. NEVER open more than one drawer at a time. Place heaviest items in the lowest drawers. This is a permanent label. Do not remove!</p>

**SAFETY WALL STRAP INSTALLATION**

Note: It is highly recommended to install this safety strap kit to prevent tipping, damage and/or injury.

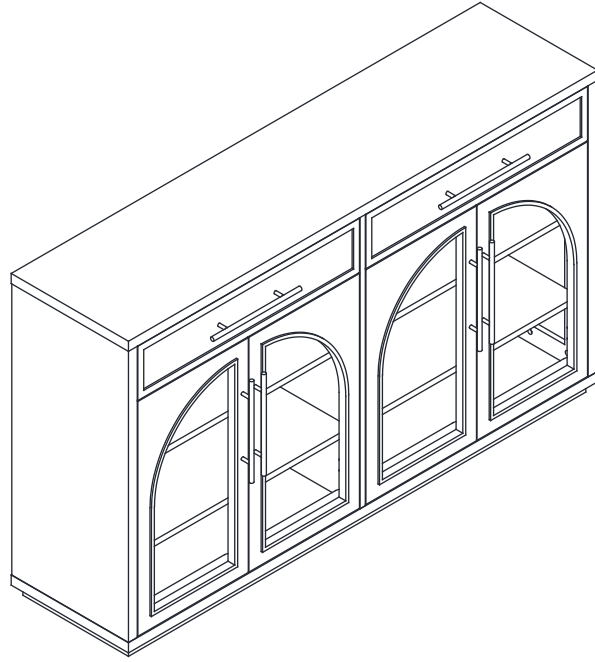
1. Insert short screw (R3) through Double hole iron sheet (R1) and safety wall strap (R5) and attach to panel using philips head screwdriver.
2. Drill a 11/32" hole where you want to secure the unit. The drilled hole will be at the same height as the hole in top panel where the safety wall strap (R5) is attached. Tap wall anchor (R2) into the hole.
3. Insert long screw (R4) through Double hole iron sheet (R1) and safety wall strap (R5) into wall anchor (R2) using philips head screwdriver.

**R** 2 PCS



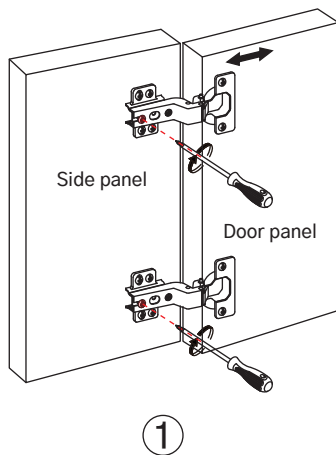
**STEP 30**

Congratulations! The installation is complete.  
Thank you for your effort



If you have any questions or concerns, please contact us!  
[hairui2023@outlook.com](mailto:hairui2023@outlook.com)

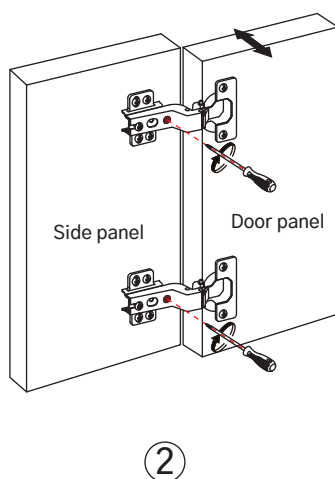
## Door Panel Adjustment Instruction



### Front-to-Back Direction Adjustment:

Rotate the screws on the door hinges shown in the image. The door panel can be moved front-back.

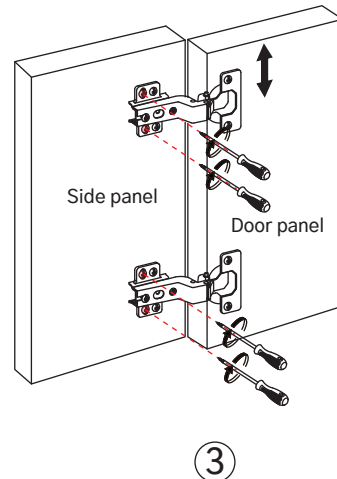
Adjustment range: 4mm



### Left-Right Direction Adjustment:

Rotate the screws on the door hinges shown in the image. The door panel can be moved left-right.

Adjustment range: 3mm



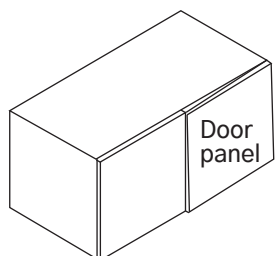
### Up-Down Direction Adjustment:

Rotate the screws on the door hinges shown in the image. The door panel can be moved up-down.

Adjustment range: 4mm

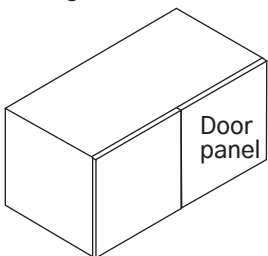
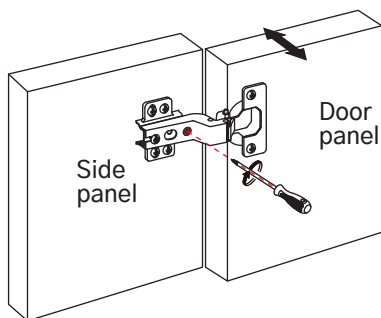
# Door Panel Adjustment Instruction

## Common Door Panel Issues:

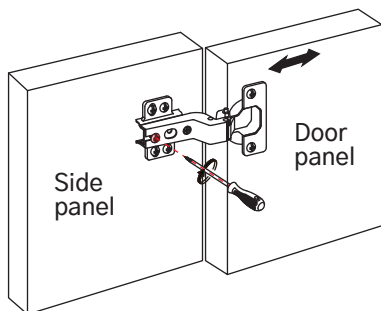


Door panel is not straight

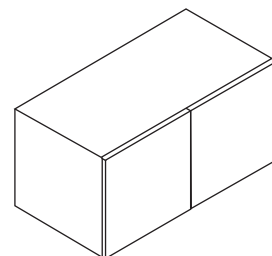
Adjust the door hinges



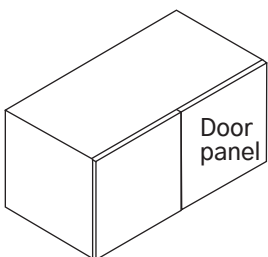
Adjust the door hinges



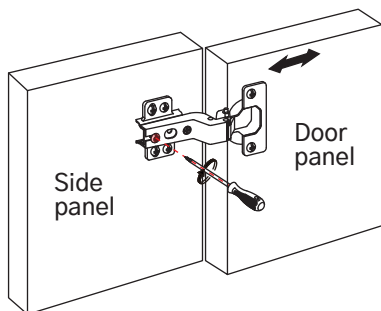
Finished



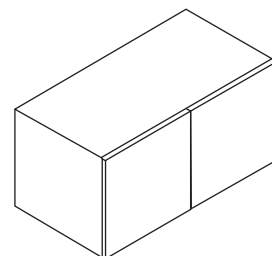
The gap between door panels is too large



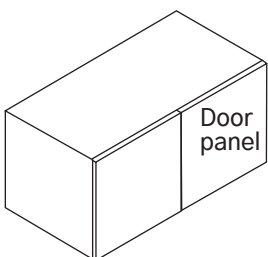
Adjust the door hinges



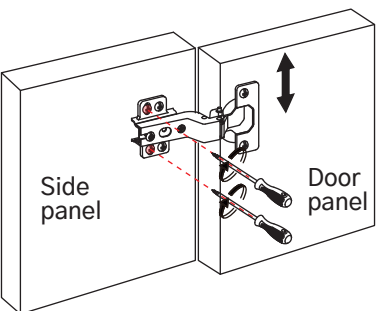
Finished



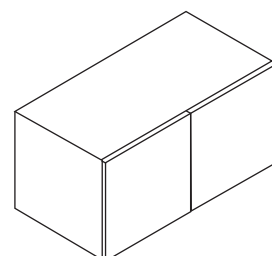
The door panels are not coplanar



Adjust the door hinges



Finished



The two door panels are not at the same height