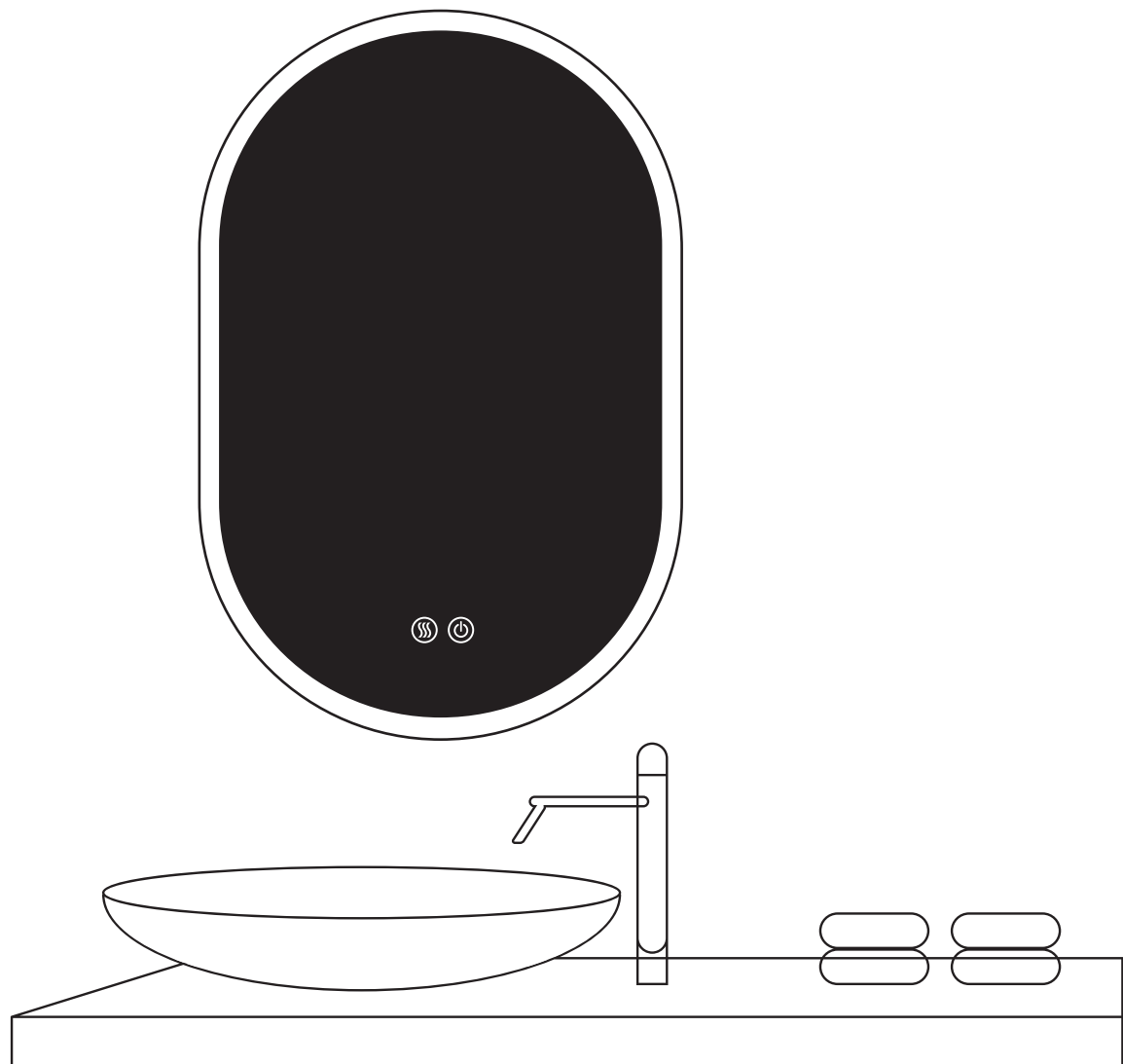


# INSTALLATION GUIDE

## LED Mirror



**Do Not Return Product to the Store. Contact  
service team with any questions**

## USE AND MAINTENANCE

The interior is constructed of mirrored glass and aluminum.  
Use only a damp cloth to clean. Ammonia or vinegar-based cleansers can  
damage mirrors.  
When cleaning, spray the cloth, not the mirror, or surrounding surfaces.  
Do not use abrasive cleansers on any part of the light fixture.

## EXTENDED WARRANTY SERVICE

Please send your Purchasing Order No. to \_\_\_\_\_ to register extended 2 years  
warranty on hardware components. We pride ourselves with a 100% Customer Satisfaction Guarantee.  
We are confident in our products and stand behind them 100%. Just reach to us with any questions or  
concerns and we will be happy to help in less than 24 hours!



### \*\*\*\*\*IMPORTANT NOTICE\*\*\*\*\*

We will guarantee all customer benefit. The products we ship out are brand new. Please check  
carefully before installation, compare all parts with the parts listed in the package contents  
section. If any part appears missing or damaged, do not install.  
Contact customer service by E-mail:  
Send us the pictures or video, we promise will response to you with 24 hours. We will decide  
send you spare parts or deliver a replacement by free.

# IMPORTANT SAFETY INSTRUCTIONS

When using an electrical furnishing, basic precautions should always be followed, including the following:

**⚠ WARNING:** To reduce the risk of burns, fire, electric shock or injury to persons. Use this furnishing only for its intended use as described in these instructions. Do not use attachments not recommended by the manufacturer. Never drop or insert any object into any opening. Do not use outdoors.

**⚠ WARNING:** Risk of electric shock. Connect this furnishing to a properly grounded circuit only. See grounding instructions.

**⚠ CAUTION:** Maximum shelf load 34lbs/15.4kg

## ELECTRIC CONNECTIONS

ALL WIRING SHOULD BE DONE BY A QUALIFIED LICENCED ELECTRICIAN.

**⚠ WARNING:** Shut off power before wiring the cabinet.

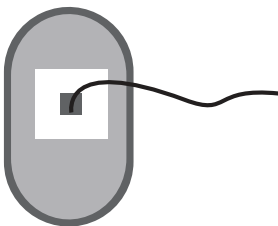
Requires 120 VAC 20 Amp GFI protected Circuit.

### GROUNDING INSTRUCTIONS:

**⚠ CAUTION:** This product must be connected to a grounded metal permanent wiring system or an equipment-grounding conductor must be run with the circuit conductors and connected to the equipment grounding terminal or lead on the product.

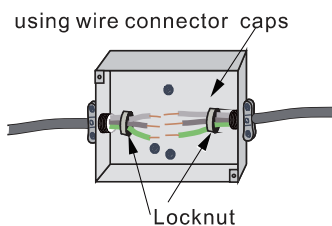
**⚠ WARNING:** An Electrical option cabinet must be wired to a 20 Amp GFI (Ground Fault Interrupter) protected circuit when used in bathrooms and all other locations required by the National Electric Code.

The electric wire comes through the access hole on the top of the cabinet, exact location of access hole varies depending on the product models. Please refer to the actual product for the exact location.

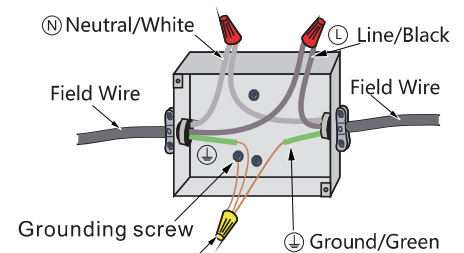


Make connection with Junction box

Neutral to white.  
Line to black.  
Ground to green.

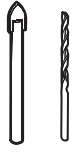


★ junction box is not included ★



wire connector caps  
★ (not included) ★

# HARDWARE AND TOOLS



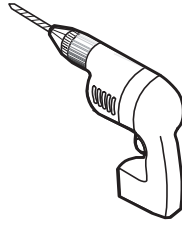
1/4" & 1/8" Drill Bits



Pencil



Level



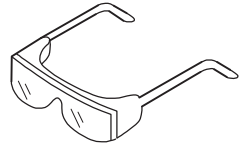
Power Drill



Mallet






Tape Measure



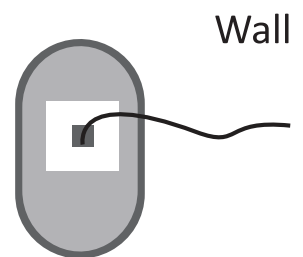
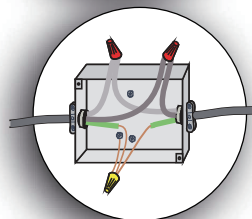
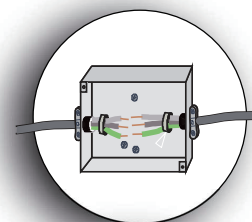
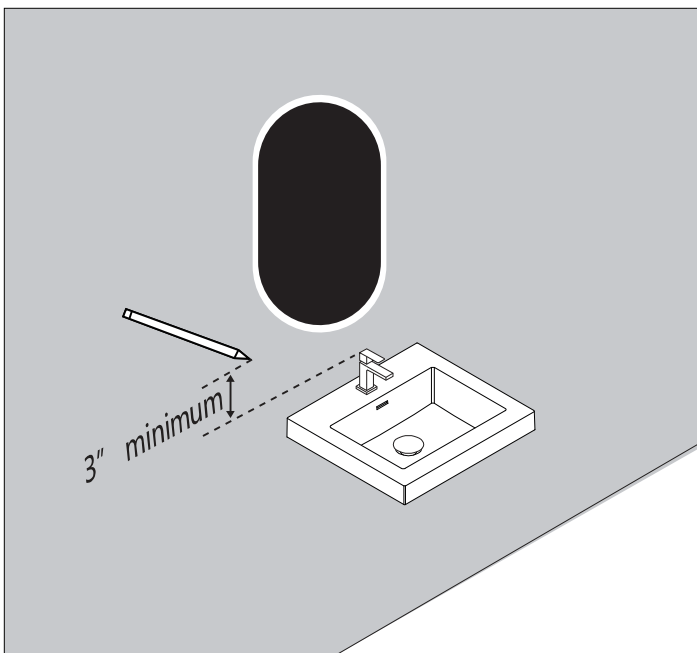
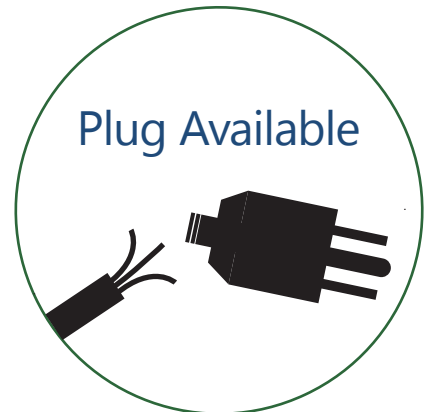
Safety Goggles

## HARDWARE LIST

ITEM	REFERENCE IMAGE	NAME	QTY
1		Wall Bracket	1
2		Wall Anchor	2
3		Screw ST4*35	2

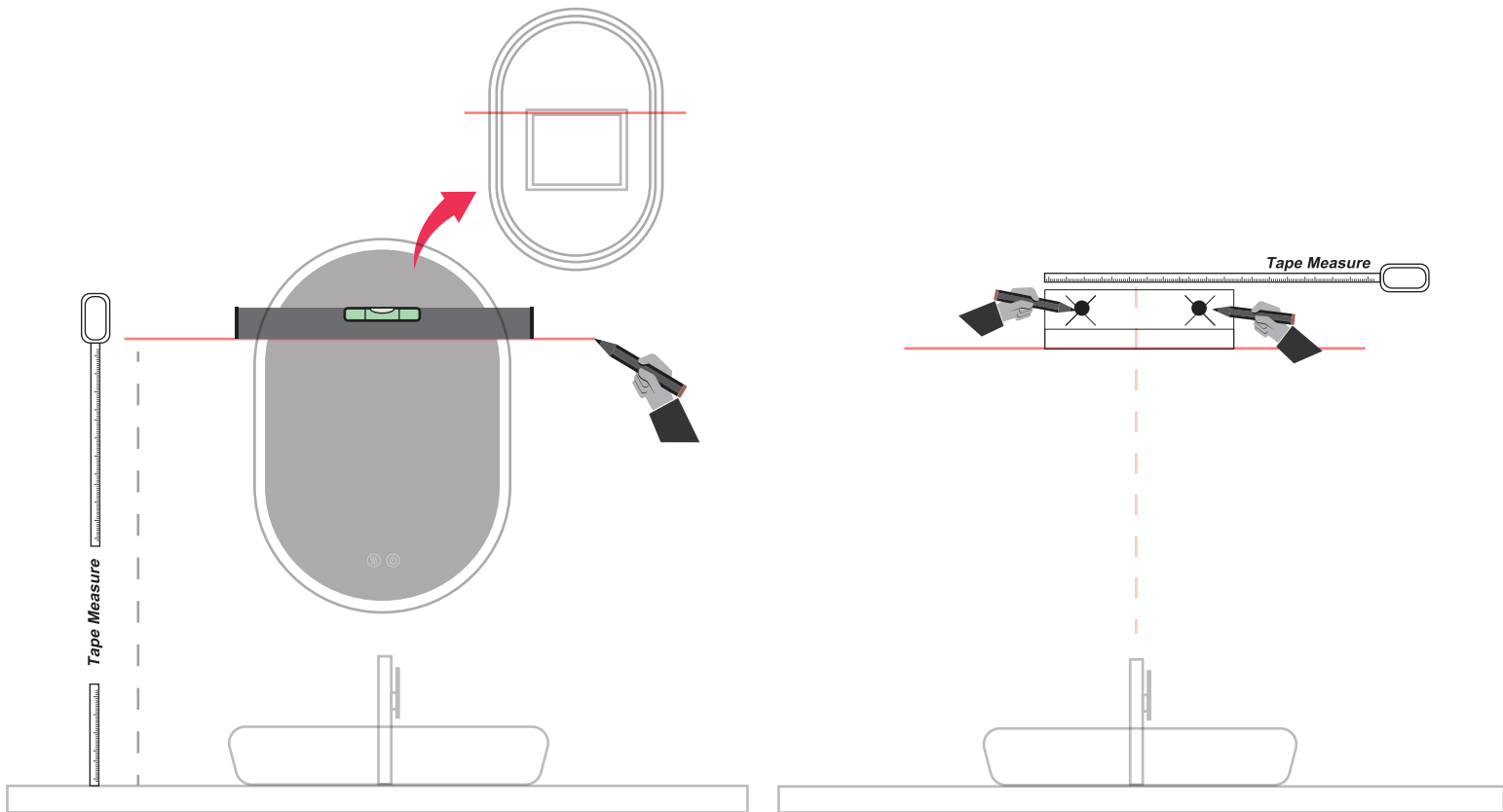
## Step 1

Level and mark the mirror's location on the wall.  
Connect the wire to Junction Box inside the wall.



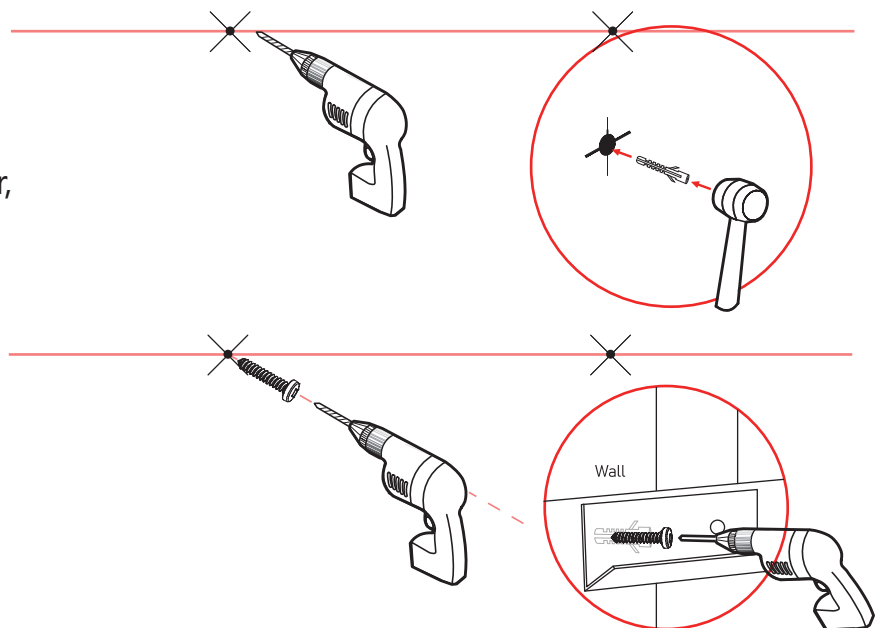
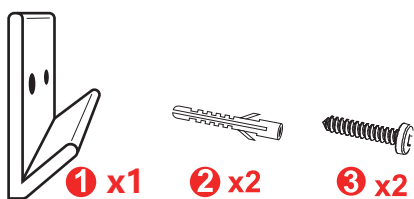
## Step 2

Use the tape measure the height, and draw the horizontal, line and the vertical line of the wash-basin. Measure the distance of the wall bracket, and mark the hole place on the wall.

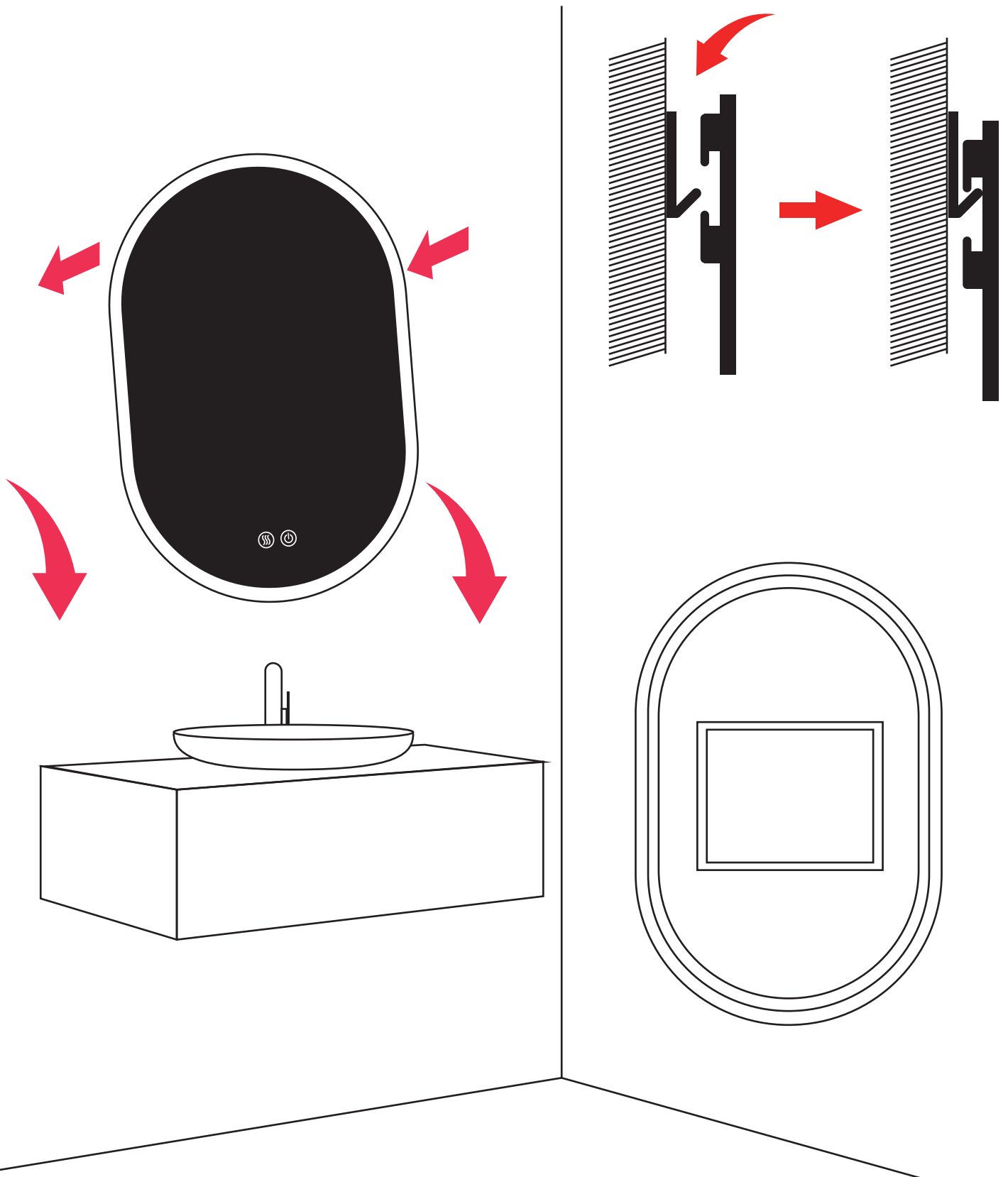


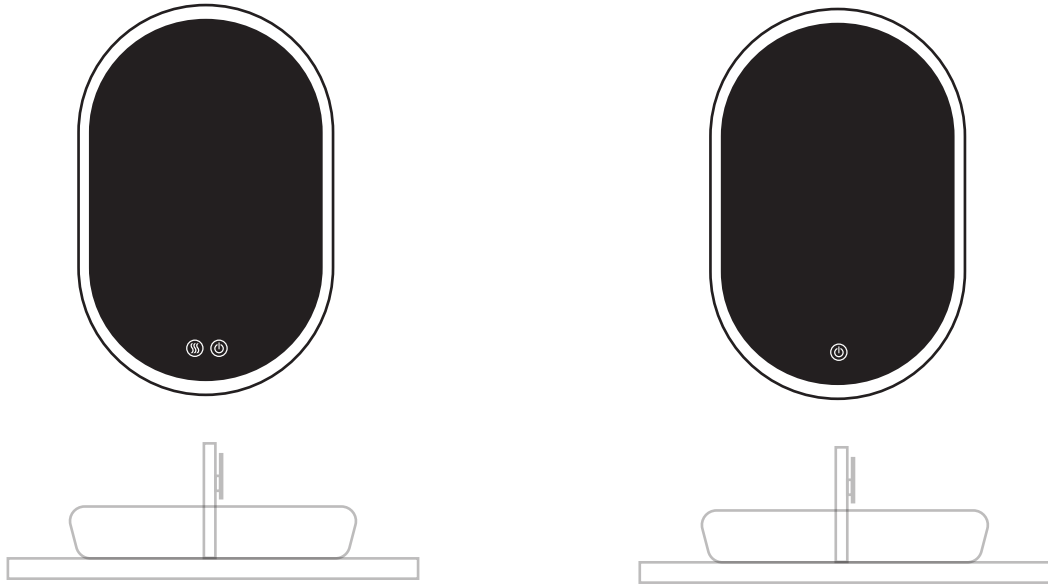
## Step 3

Drill and insert the Wall Anchor, Drive in the screw cross the bottom support.



**Step 4** Align the wall bracket to hang the mirror to complete the installation





# PRODUCT FUNCTION INSTRUCTIONS



Touch key to turn on/off defogging function. When defogger is on, the button should be in blue color. The anti-fog function can only be used after 5 minutes of turning on, and will automatically cancel after 60 minutes of standby. If extended use is required, it must be re-enabled.



**After power on, the button shows blue and it is in waiting state**



**The lighting color temperature will be changes with each short press**

Click the light button to turn on and the color changes to white  
Click again to change the light color  
Click the fourth time to turn off the light



LED



**Long press to adjust the brightness**

Long press to make the light gradually dims  
Long press again and the light gradually brightens

When you adjust to your favorite color temperature, long press the button, you can adjust the brightness of the color temperature, click again, you can adjust to another color temperature.



**Memory function:** The medicine cabinet will record the color temperature and brightness of your last use. When you turn off the color and brightness after using it last time, when you use it again, it will return to the state you used last time, no need to adjust it again and waste time every time.