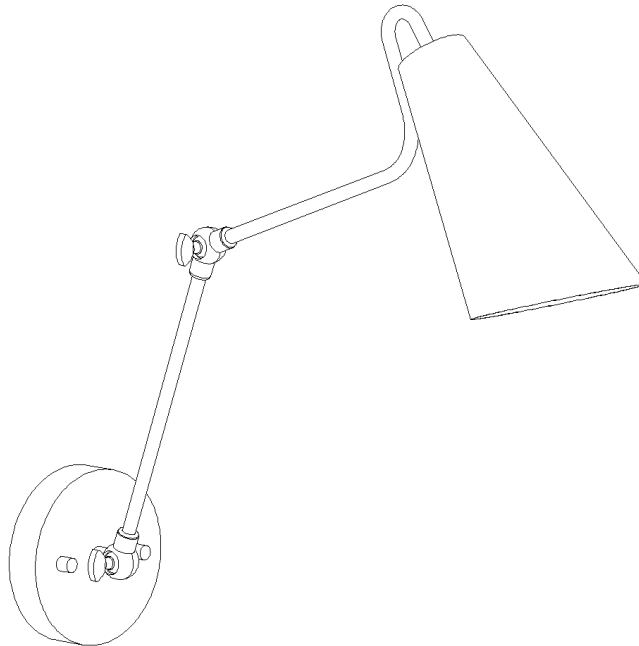


**WARNING (To reduce the risk of fire, electric shock, or personal injury):**

1. We suggest installation by a **licensed electrician**.
2. Please read the instruction carefully and save it as you may need it at a later time.
3. Before you start, **NEVER** attempt any work without shutting off the electricity until the work is done.
  - » Go to the main fuse, or circuit breaker, box in your home.  
Place the main power switch in the “**OFF**” position.
  - » Place the wall switch in the “**OFF**” position.
4. Mounting surface should be clean, dry, flat, strong enough and 1/4” larger than the canopy on all sides. Any gaps between the mounting surface and canopy exceeding 3/16” should be corrected as required.
5. Make sure that the ceiling or wall can stand the weight of the lamp before installation.
6. Make sure the voltage you are using is **120V**. The maximum wattage is **Type B, Max 40W** per bulb.
7. Keep the lamp away from acidic and alkaline substances in case of damaging the surface of the lamp.
8. When replacing bulbs, you should turn off or unplug the lamp and you must wait until it is cool as bulbs get hot quickly.
9. The safety instructions appearing in this manual are not meant to cover all possible conditions that may occur. It must be understood that common sense, caution and care must be used with any electrical products.

**IMAGE FOR FINISHED PRODUCT:**



**ORDERING PARTS**


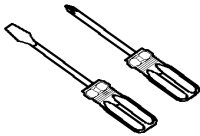

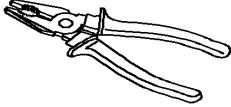
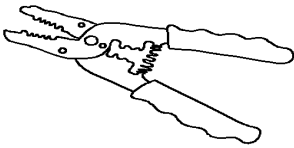
Keep this sheet for future reference in case you need to order replacement parts. All parts for this fixture can be ordered from the place of purchase. Be sure to use exact wording from illustration when ordering parts.

**CLEANING**

To clean, wipe the fixture with a soft cloth. Do not use abrasive materials such as scouring pads or powders, steel wool or abrasive paper.

**TOOLS REQUIRED (NOT INCLUDED):**

Before starting assembly and installation please prepare the needed tools as below picture

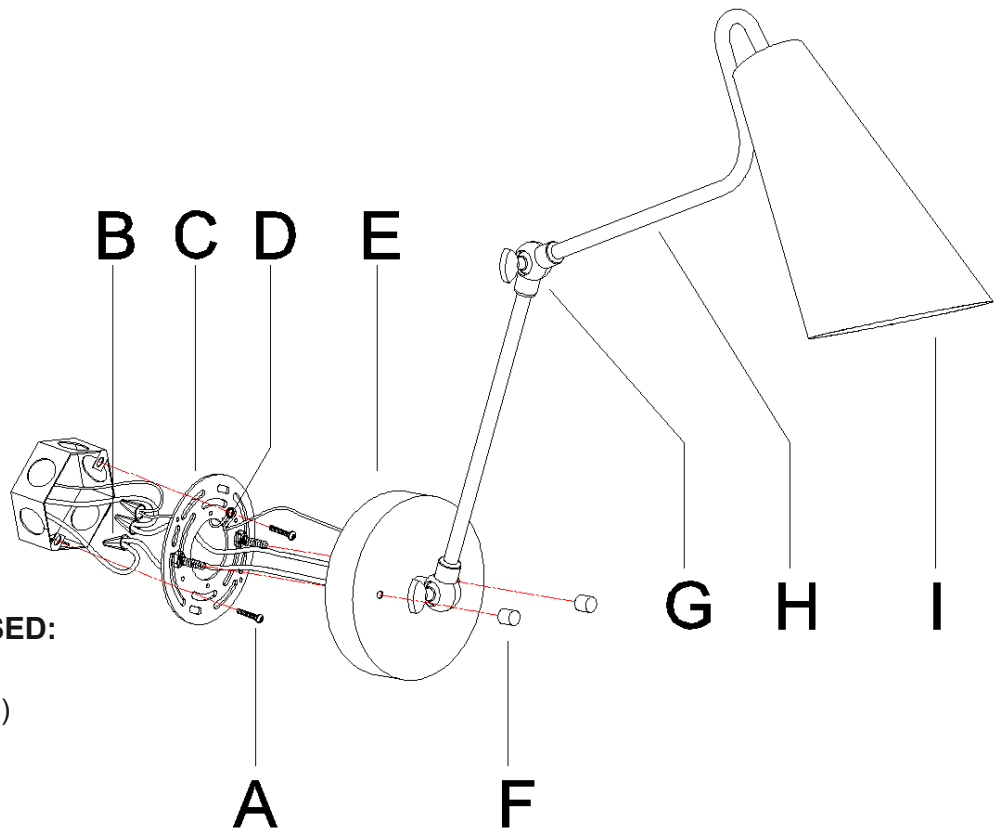
|   |   |   |  |   |
|---|---|---|--|---|
|  |  |  |  |  |
| Ladder  | Phillips head.flat blade screwdriver  | Electrical tape   | Pliers   | Wire cutter/Stripper  |

**PARTS INCLUDING:**

- (C) Mounting plate (1)
- (D) Green ground screw (1)
- (E) Back plate (1)
- (F) Knob nut (2)
- (G) Joint (2)
- (H) Arm (2)
- (I) Iron shade (1)

**ACCESSORIES ENCLOSED:**

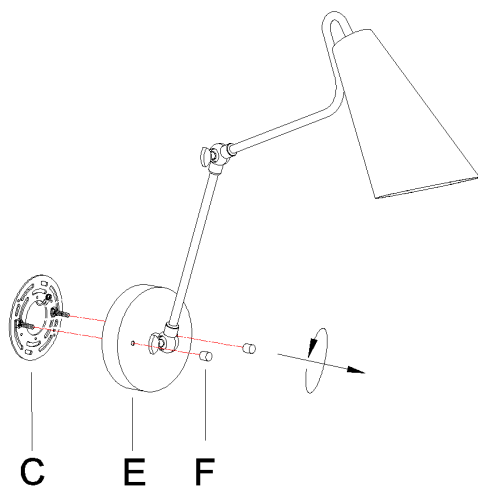
- (A) Mounting screw (2)
- (B) Plastic wire connector (3)



**ASSEMBLY & INSTALLATION INSTRUCTIONS:**

1. Carefully remove the fixture from the carton and check that all parts and accessories are included as shown in the above illustration.
2. Turn off power  
Before you start the installation, NEVER attempt any work without shutting off the electricity until the work is done.
  - » Go to the main fuse, or circuit breaker, box in your home. Place the main power switch in the "OFF" position.
  - » Place the wall switch in the "OFF" position.

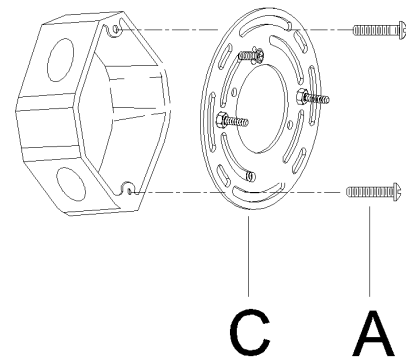
3 »



Unscrew knob nuts (F) from back plate (E), then set them aside for later installation.

4 »

**OUTLET BOX**

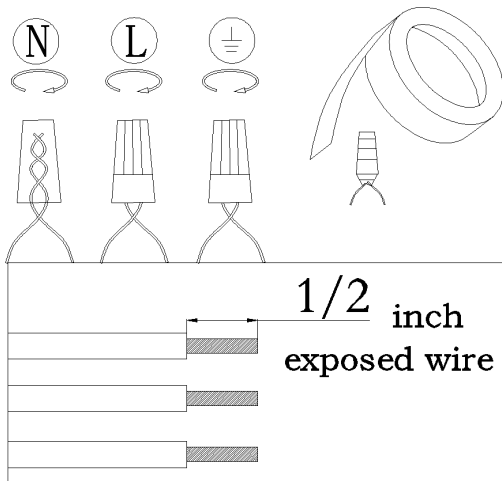


Secure mounting plate (C) to the outlet box with mounting screws (A).

**Note: the side marked "GND" must face out.**

## (A) For Hardwired Installation:

A5 » Make wire connections



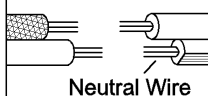
Connect wires as below wires connection shown.

**REFER TO THE FOLLOWING CHART, NEVER CONNECT OTHER WIRES TO GROUND WIRES.**

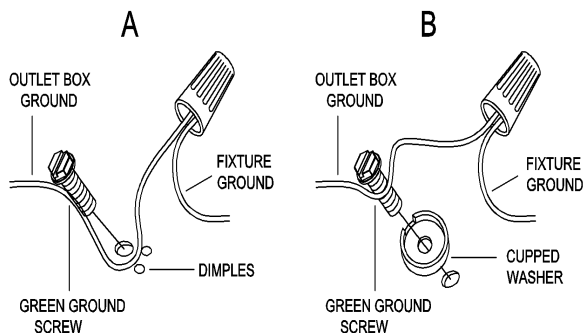
Connect wires according to the below chart

| Connect Black or Red Supply Wire to:                    | Connect White Supply Wire to:                           |
|---|---|
| Black   | White   |
| *Parallel cord (round & smooth)                         | *Parallel cord (square & ridged)                        |
| Clear, Brown, Gold or Black without tracer              | Clear, Brown, Gold or Black with tracer                 |
| Insulated wire (other than green) with copper conductor | Insulated wire (other than green) with silver conductor |

\*Note: When parallel wires (SPT I & SPT II) are used. The neutral wire is square shaped or ridged and the other wire will be round in shape or smooth (see illus.)

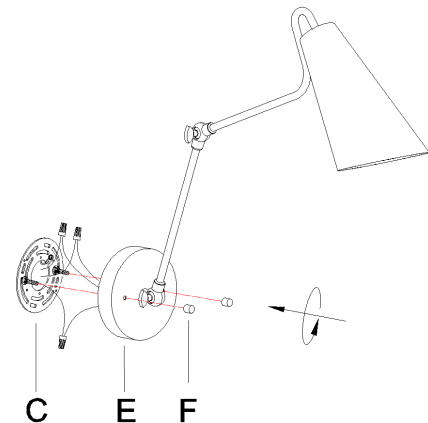


Connect ground wires according to the below chart



**Twist wires together with plastic wire connectors until tightly joined, and wrap each connector with approved electrical tape. Be sure that no wire strands are exposed and then carefully tuck all wires into the outlet box.**

A6 »



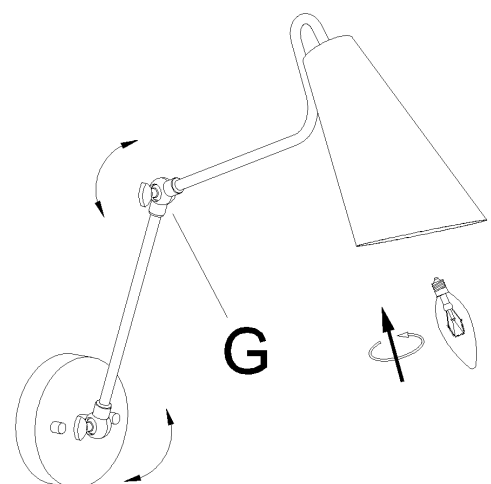
Align the holes in back plate (E) with the pre-assembled mounting screws, then attach back plate (E) to mounting plate (C) with the previously removed knob nuts (F). Hand tighten until snug.

**NOTE: back plate (E) should be snug against the wall with knob nuts (F).**

**If not, remove back plate (E), adjust the threaded length of pre-assembled mounting screws on mounting plate assembly (C):**

- **first, unscrew the pre-assembled hex nuts;**
- **then, screw the pre-assembled mounting screws in or out of mounting plate (C);**
- **when the secure length is achieved, tighten the pre-assembled hex nuts and back to Step A6.**

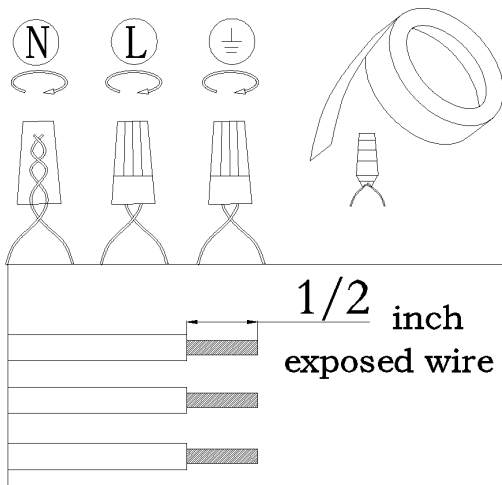
A7 »



- 1) Arms (H) are adjustable by joints (G). When arms (H) in the proper position, tighten joints (G).
- 2) Install the bulb (Not included) (Please do not exceed the maximum wattage recommended on the socket.)

**(B) For PLUG IN Installation:**

B5 » Make wire connections



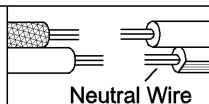
Connect the black and white wires in back plate (E) to the plug wires in the accessories bag.

**REFER TO THE FOLLOWING CHART, NEVER CONNECT OTHER WIRES TO GROUND WIRES.**

Connect wires according to the below chart

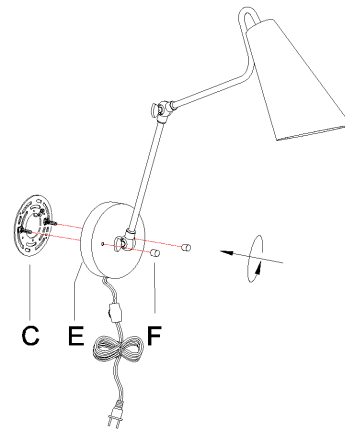
| Connect Black or Red Supply Wire to:                    | Connect White Supply Wire to:                           |
|---|---|
| Black   | White   |
| *Parallel cord (round & smooth)                         | *Parallel cord (square & ridged)                        |
| Clear, Brown, Gold or Black without tracer              | Clear, Brown, Gold or Black with tracer                 |
| Insulated wire (other than green) with copper conductor | Insulated wire (other than green) with silver conductor |

\*Note: When parallel wires (SPT I & SPT II) are used. The neutral wire is square shaped or ridged and the other wire will be round in shape or smooth (see illus.)



**Secure the connections with plastic wire connectors.**

B6 »



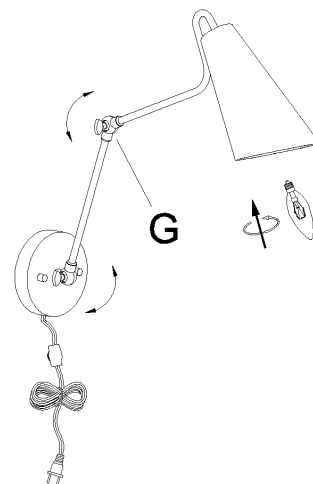
Align the holes in back plate (E) with the pre-assembled mounting screws, then attach back plate (E) to mounting plate (C) with the previously removed knob nuts (F). Hand tighten until snug.

**NOTE: back plate (E) should be snug against the wall with knob nuts (F).**

**If not, remove back plate (E), adjust the threaded length of pre-assembled mounting screws on mounting plate assembly (C):**

- first, unscrew the pre-assembled hex nuts;
- then, screw the pre-assembled mounting screws in or out of mounting plate (C);
- when the secure length is achieved, tighten the pre-assembled hex nuts and back to Step B6.

B7 »



- 1) Arms (H) are adjustable by joints (G). When arms (H) in the proper position, tighten joints (G).
- 2) Install the bulb (Not included) (Please do not exceed the maximum wattage recommended on the socket.)

**8. Check everything is installed properly, then you could turn on the light. Enjoy!**