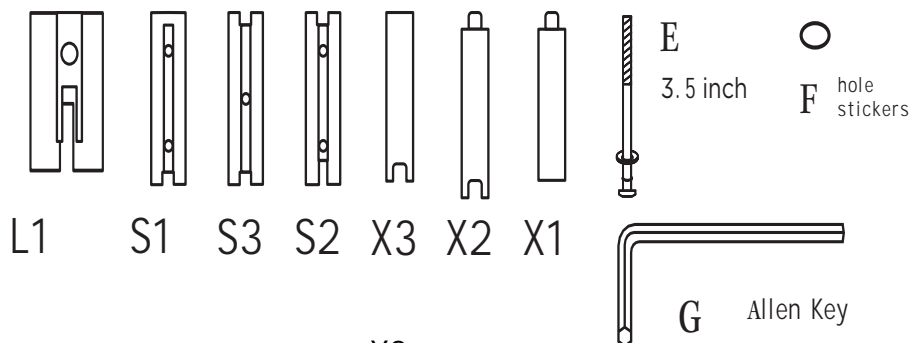
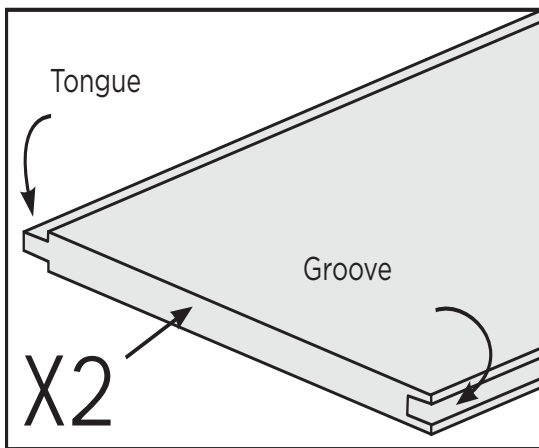
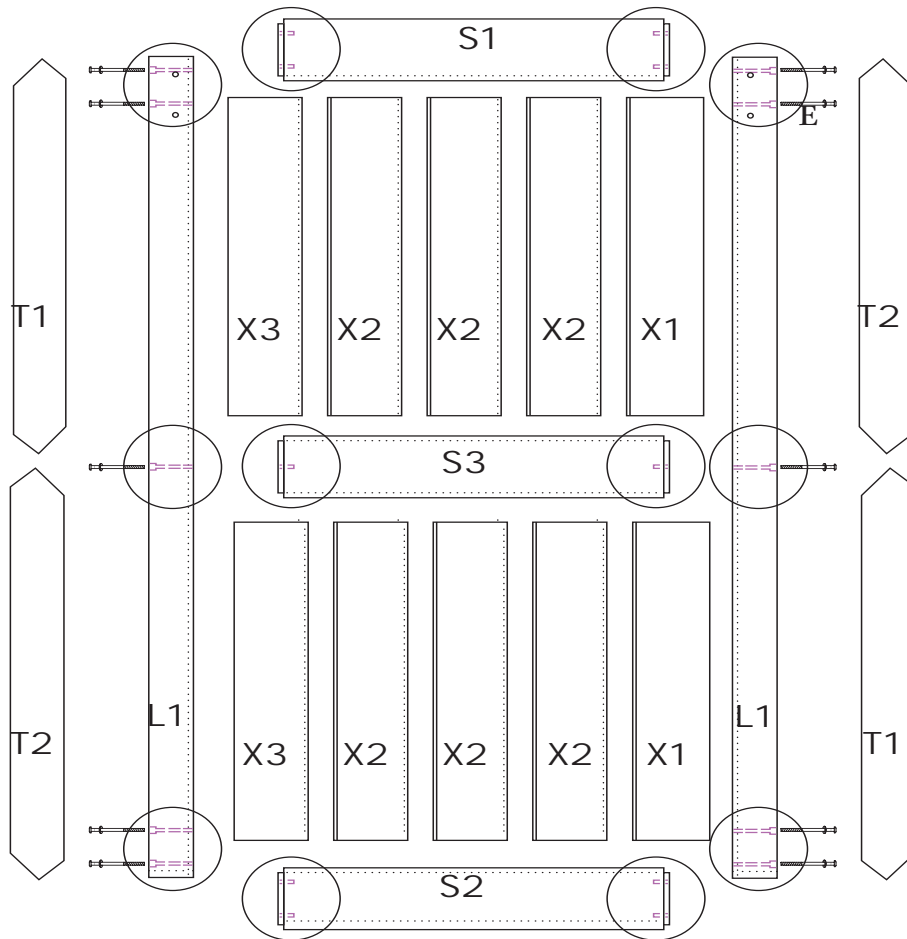
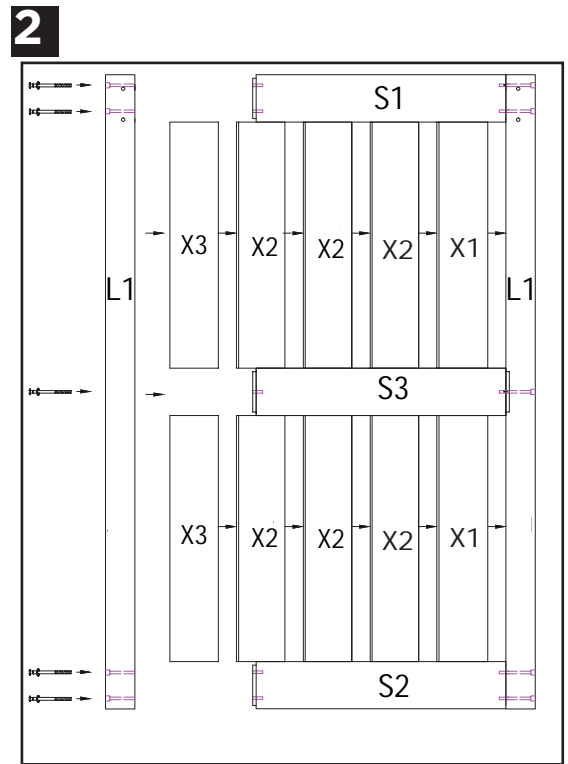
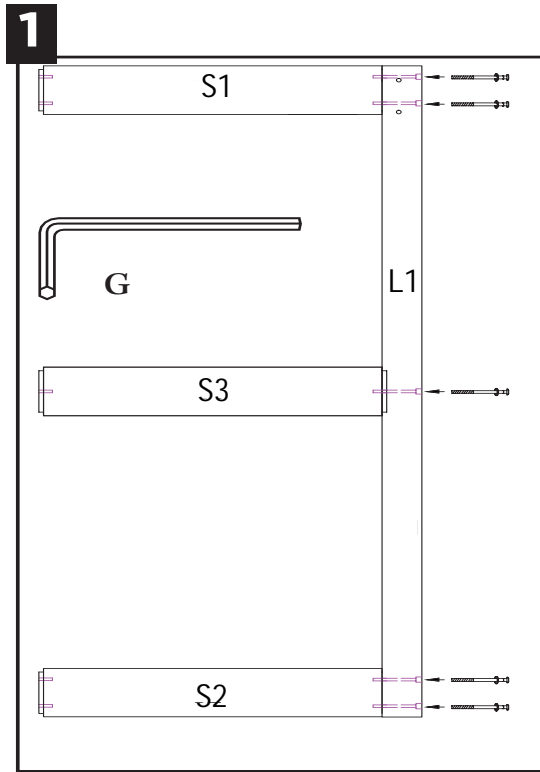
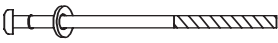


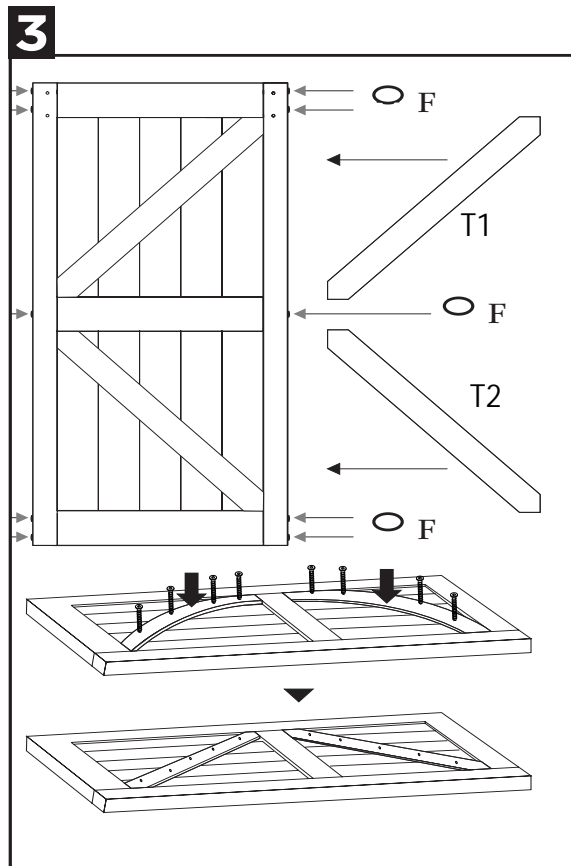
K-design panel barn door installation guide



30 inch door: 4 pcs of X2 panel
 36 inch door: 6 pcs of X2 panel
 42 inch door: 8 pcs of X2 panel



 Do not overscrew



Please nail the cross braces T1/T2 to the panels

