


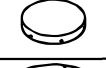





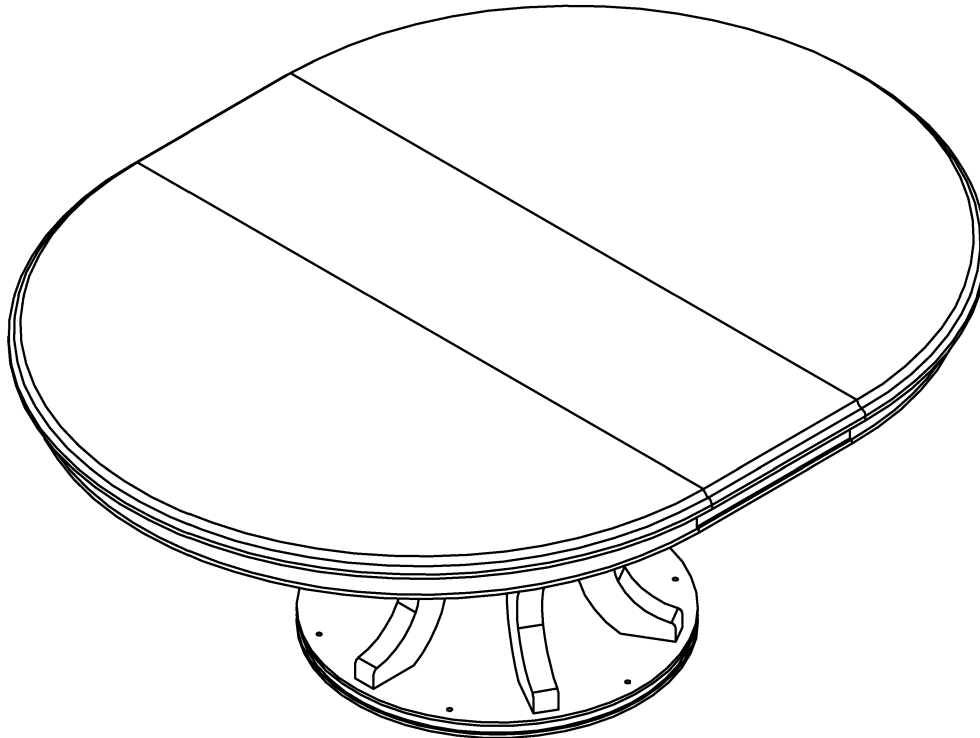


# Assembly Instruction

## ROUND-OVAL DINING PEDESTAL TABLE

PARTS IDENTIFICATION		
NO	Description	Quantity
A	TABLE TOP 	1 PC
B	MOUNTING PLATE 	1 PC
C	LEG 	6 PCS
D	ROUND CONNECT PANEL 	1 PC
E	BASE 	1 PC

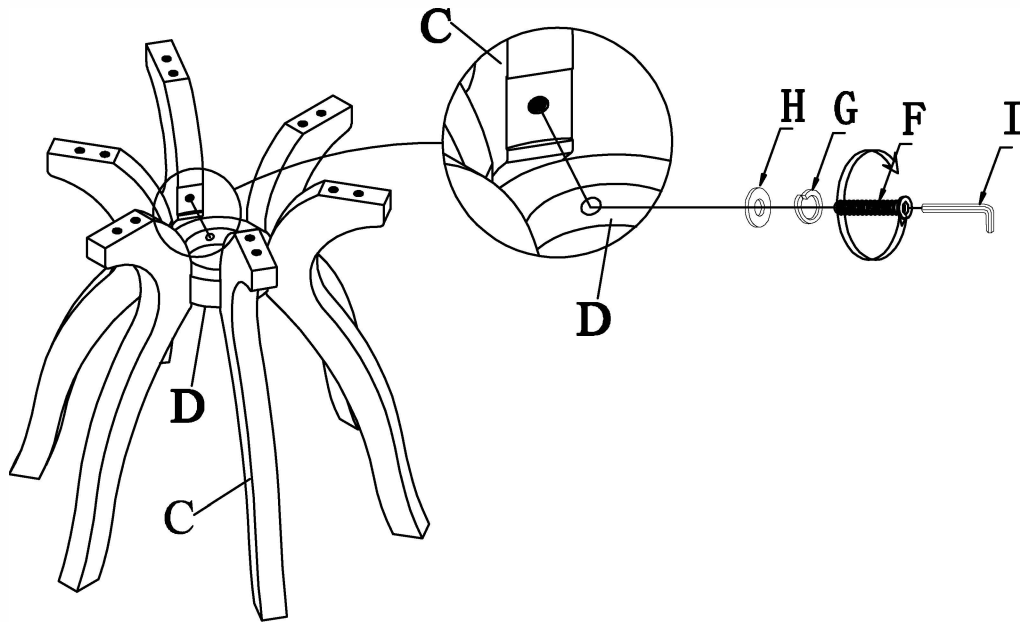
HARDWARE LIST			
No.	Description	Sketch	Q'ty
F	Allen Bolt Ø5/16"x2"		24 PCS
G	Lock Washer Ø5/16		24 PCS
H	Flat Washer Ø5/16 x 19 mm		24 PCS
I	Allen Key 4mm		1 PC



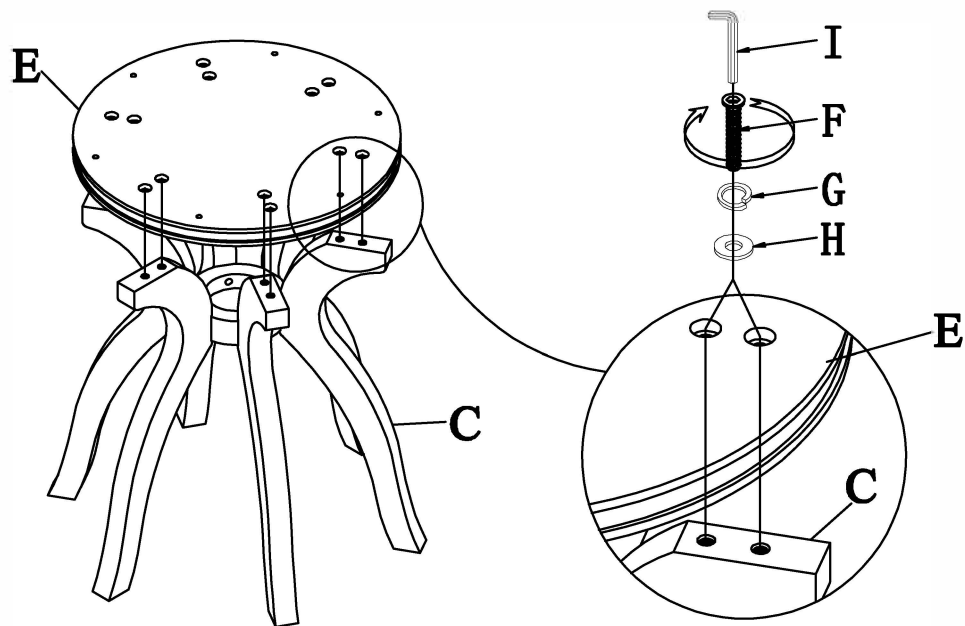
# Assembly Instruction

## ROUND-OVAL DINING PEDESTAL TABLE

### STEP 1:



### STEP 2:



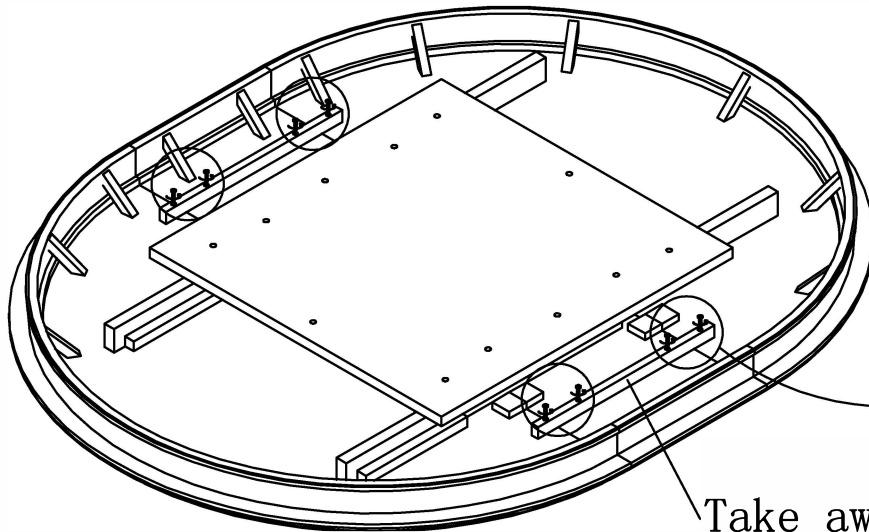
For items use on wooden floor, hard surfaces or carpets, it is recommended to install protective pads under all legs and supports to avoid/prevent from damages/scratches and discoloration.

# Assembly Instruction

## ROUND-OVAL DINING PEDESTAL TABLE

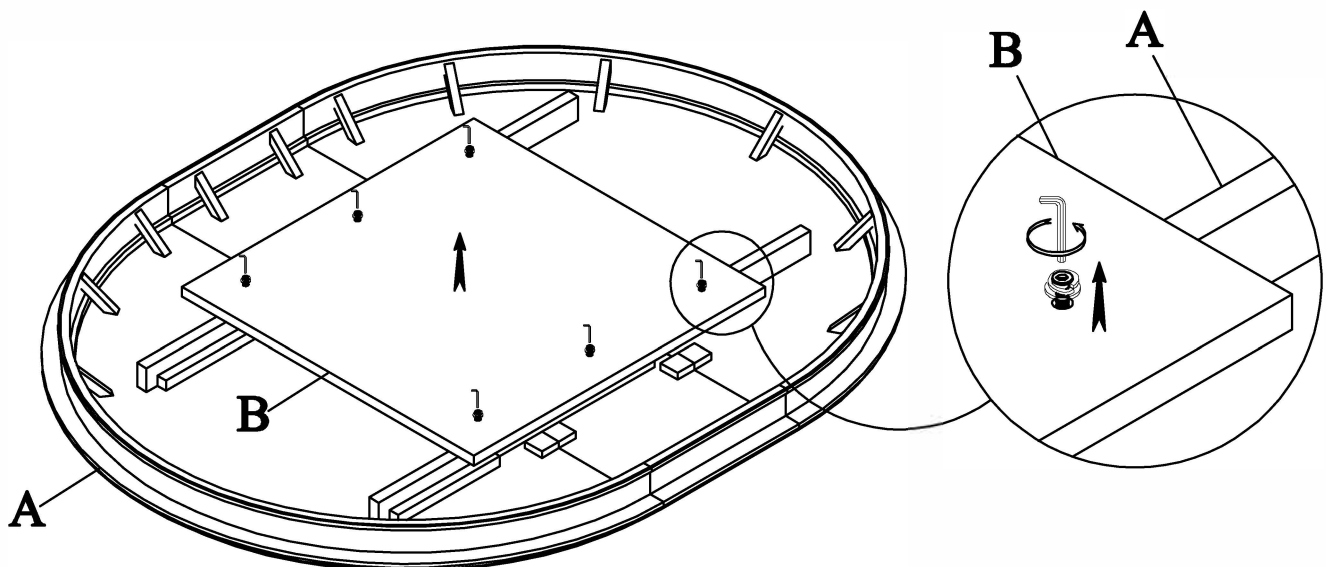
### STEP 3:

Release the bolts



Take away

### STEP 4:

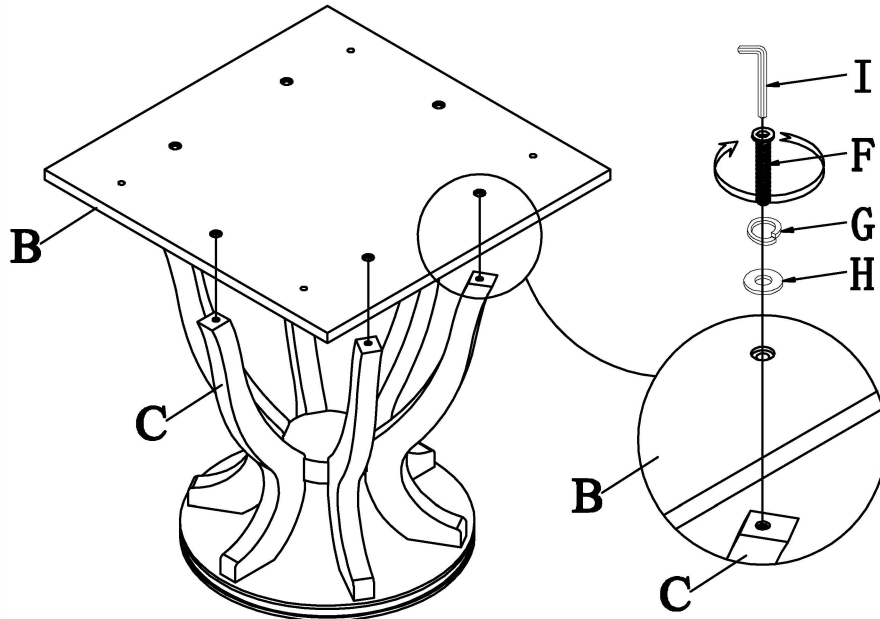


For items use on wooden floor, hard surfaces or carpets, it is recommended to install protective pads under all legs and supports to avoid/prevent from damages/scratches and discoloration.

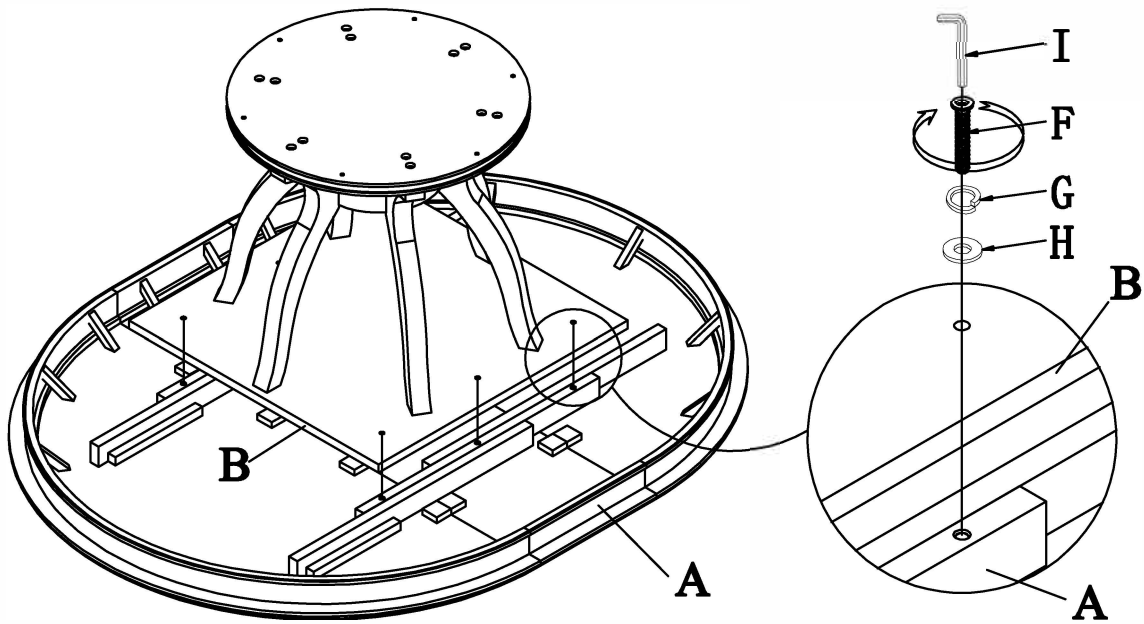
# Assembly Instruction

## ROUND-OVAL DINING PEDESTAL TABLE

### STEP 5:



### STEP 6:



For items use on wooden floor, hard surfaces or carpets, it is recommended to install protective pads under all legs and supports to avoid/prevent from damages/scratches and discoloration.