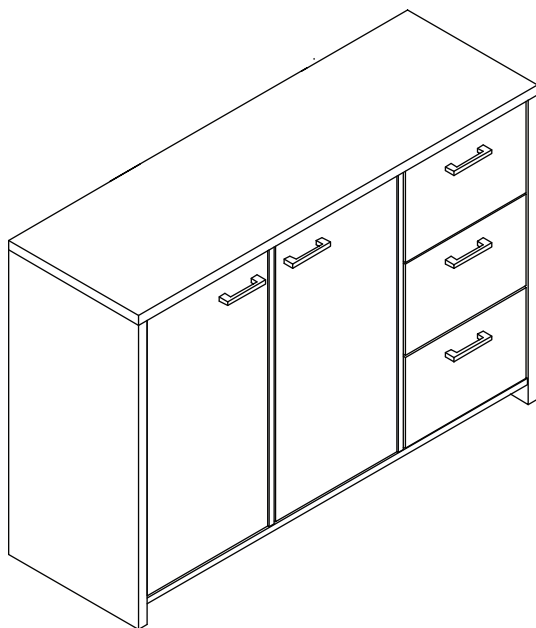


ASSEMBLY INSTRUCTIONS

CONSOLE

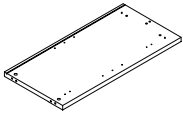
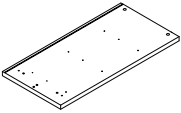
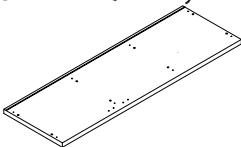
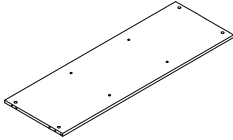
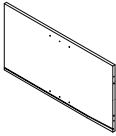
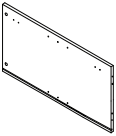
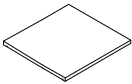


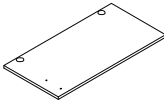
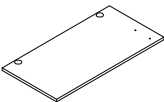
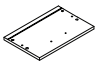


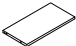
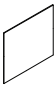
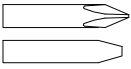



NOTE TO CUSTOMERS:

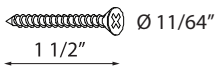



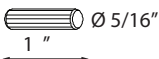
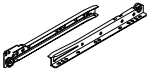
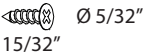
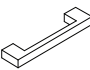
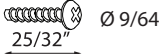

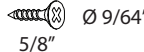


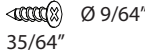

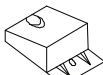
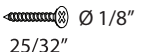

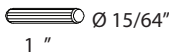
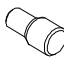
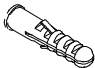
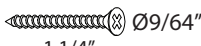
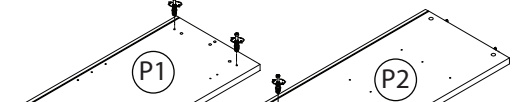
- For ease and speed of assembly we recommend that before you commence each step of the assembly that you identify all the parts required to complete that step.
- We recommend that where possible you allow sufficient space to assemble the item as close as possible to the place where it will be once assembled.
- For the protection of your furniture we recommend that the product is placed on a dry, soft, smooth and clean surfaces during assembly to prevent any damage. Avoid damp and direct sunlight.
- During assembly do not over tighten the screws or bolts, as this may damage the product.
- Please ensure you retain all the product packaging until the item is completely assembled.
- Periodically check all fitting and re-tighten as necessary.
- Never allow any liquids to remain on your furniture as absorption can cause the wood to warp or finish to de-laminate.
- It is recommended that this item should be assembled by two adults.

ASSEMBLY INSTRUCTIONS

PARTS IDENTIFICATION

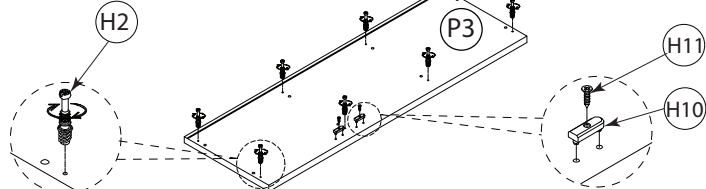
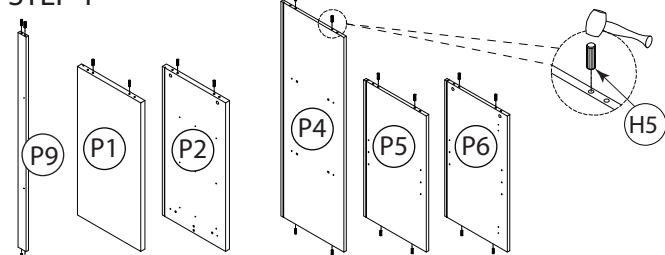
<p>P1 Quantity: 1</p>  <p>Side Panel-Left</p>	<p>P2 Quantity: 1</p>  <p>Side Panel-Right</p>	<p>P3 Quantity: 1</p>  <p>Top Panel</p>	<p>P4 Quantity: 1</p>  <p>Base Panel</p>	<p>P5 Quantity: 1</p>  <p>Inside Vertical Panel- Left</p>
<p>P6 Quantity: 1</p>  <p>Inside Vertical Panel- Right</p>	<p>P7 Quantity: 2</p>  <p>Adjustable Shelves</p>	<p>P8 Quantity: 3</p>  <p>Back Panel</p>	<p>P9 Quantity: 1</p>  <p>Base panel support bar</p>	<p>P10 Quantity: 1</p>  <p>Left Door</p>
<p>P11 Quantity: 1</p>  <p>Right Door</p>	<p>P12 Quantity: 3</p>  <p>Drawer Front</p>	<p>P13 Quantity: 3</p>  <p>Drawer Side-Left</p>	<p>P14 Quantity: 3</p>  <p>Drawer Side-Right</p>	<p>P15 Quantity: 3</p>  <p>Drawer Back</p>
<p>P16 Quantity: 3</p>  <p>Drawer Base</p>	<p style="text-align: center;">TOOLS REQUIRED</p> <div style="display: flex; justify-content: space-around; align-items: center;">   </div> <p style="text-align: center;">Household screw driver Hammer</p>			

HARDWARE LIST

<p>H1 Screw #9 x 1 1/2"</p>  <p>Quantity: 16 pcs</p>	<p>H2 Connecting Bolts</p>  <p>Quantity: 24 pcs</p>	<p>H3 Cam Lock 15/12.5mm</p>  <p>Quantity: 12 pcs</p>	<p>H4 Cam Lock 12/9.5mm</p>  <p>Quantity: 12 pcs</p>	<p>H5 Wood Dowel M8 x 25</p>  <p>Quantity: 20 pcs</p>
<p>H6 Drawer slides</p>  <p>Quantity: 3 set</p>	<p>H7 Screw for slides m4 x 12</p>  <p>Quantity: 36 pcs</p>	<p>H8 Door Handle</p>  <p>Quantity: 5 pcs</p>	<p>H9 Screw for Door handle #6x20</p>  <p>Quantity: 10 pcs</p>	<p>H10 Door Stopper</p>  <p>Quantity: 2 pcs</p>
<p>H11 Screw for Door Stopper & Strap m3.5 x 16</p>  <p>Quantity: 3 pcs</p>	<p>H12 Anti-Tip Strap</p>  <p>Quantity: 1 pc</p>	<p>H13 Metal Bracket</p>  <p>Quantity: 2 pcs</p>	<p>H14 Screw for Bracket & Hinges m3.5 x 14</p>  <p>Quantity: 20 pcs</p>	<p>H15 Hinges</p>  <p>Quantity: 4 sets</p>
<p>H16 Corner Wedges</p>  <p>Quantity: 8 pcs</p>	<p>H17 Screw for Wedges m3 x 20</p>  <p>Quantity: 8 pcs</p>	<p>H18 Leg Stud</p>  <p>Quantity: 6 pcs</p>	<p>H19 Wood Dowel M6 x 25</p>  <p>Quantity: 6 pcs</p>	<p>H20 Shelf Support Pin</p>  <p>Quantity: 8 pcs</p>
<p>H21 Wall Plug for H22</p>  <p>Quantity: 1 pc</p>	<p>H22 Screw #6 x 1 1/4" for mounting Anti-Tip strap to the wall</p>  <p>Quantity: 1 pc</p>		<p>STEP 2 Align connecting bolts H2</p> 	

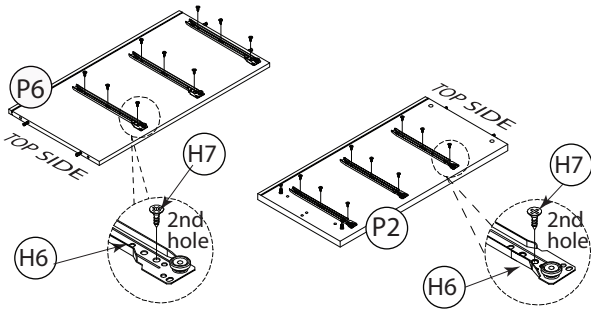
STEP 1

Insert wooden dowels

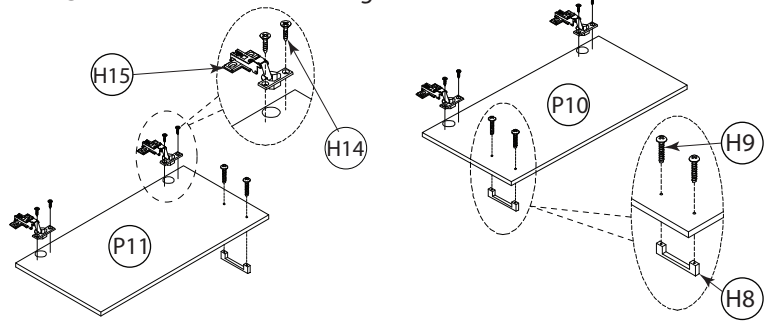


ASSEMBLY INSTRUCTIONS

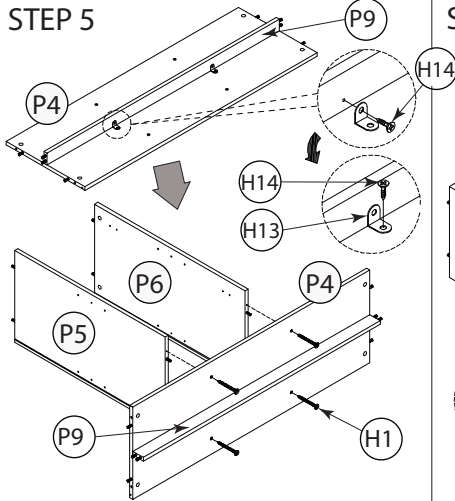
STEP 3 Install Drawer Slides



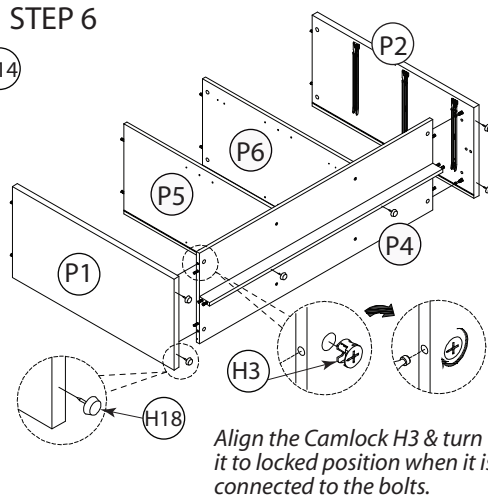
STEP 4 Install Door Hinges & Handles.



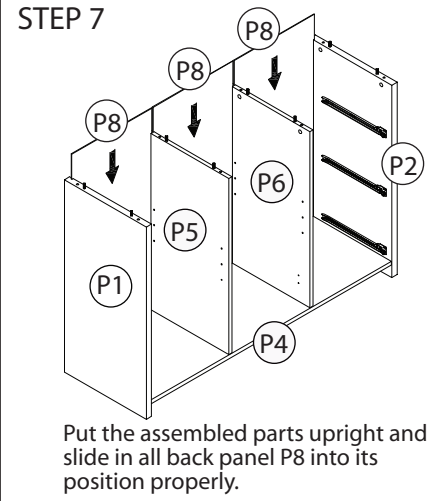
STEP 5



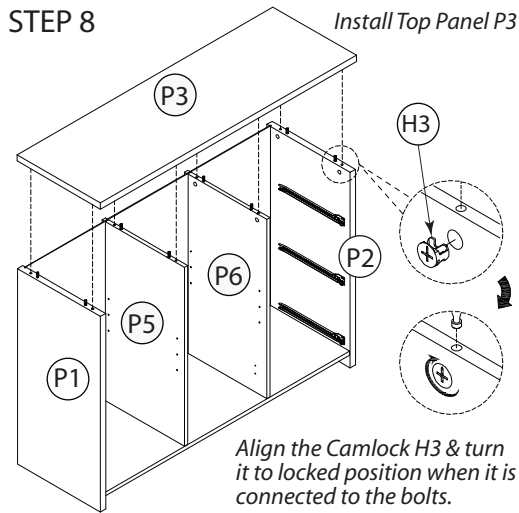
STEP 6



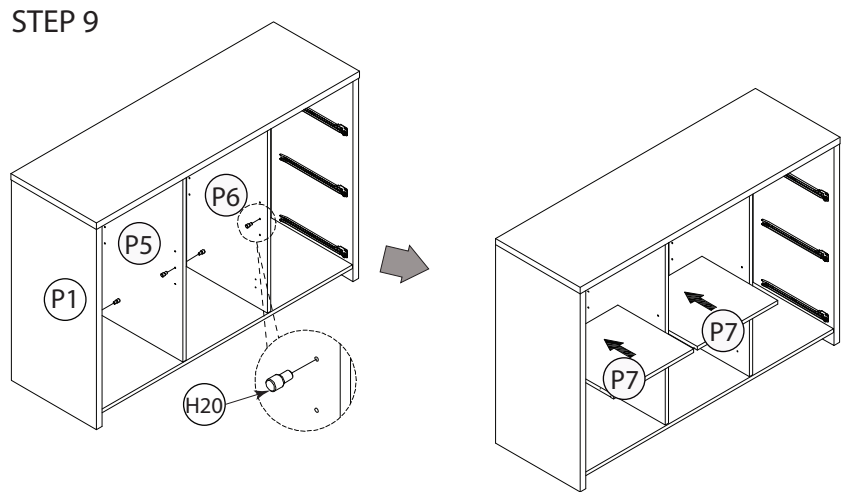
STEP 7



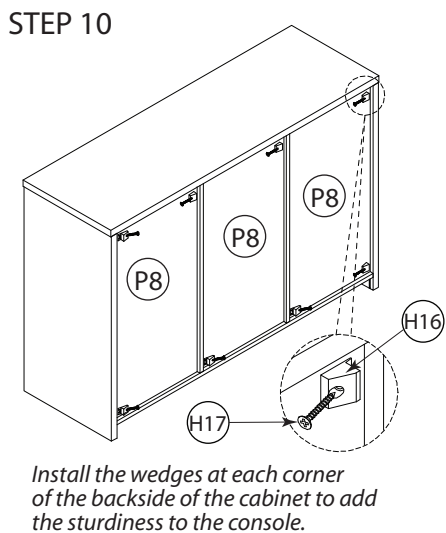
STEP 8



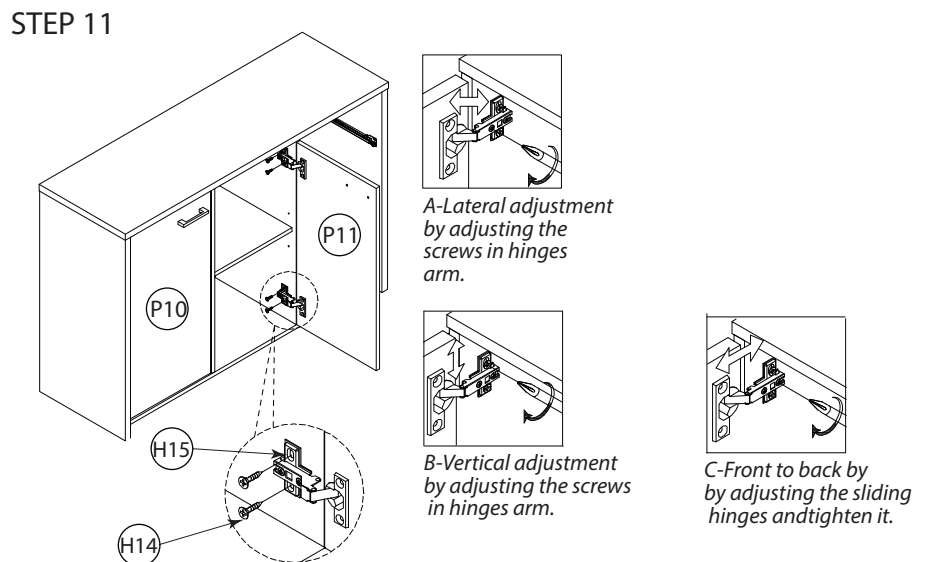
STEP 9



STEP 10

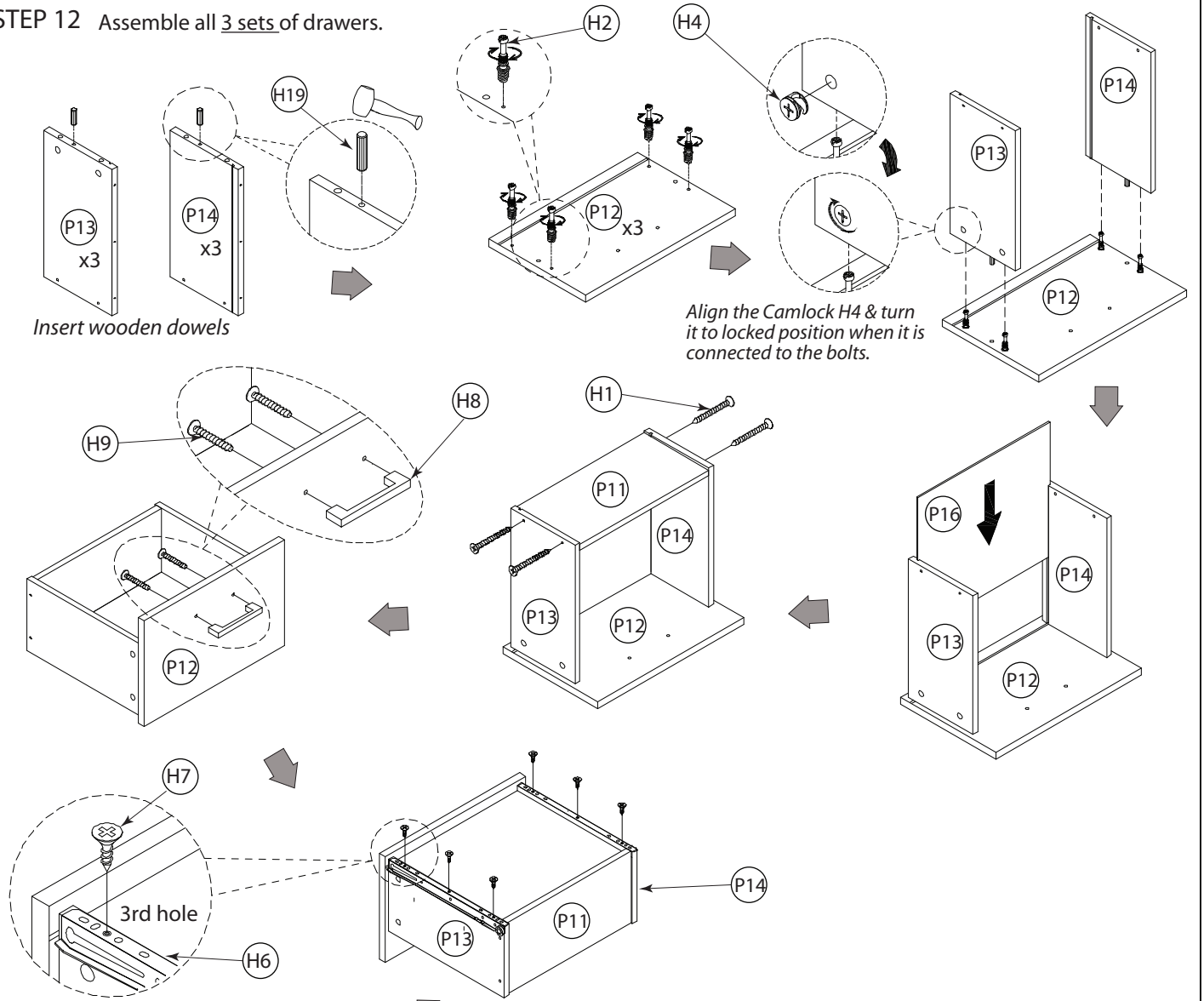


STEP 11

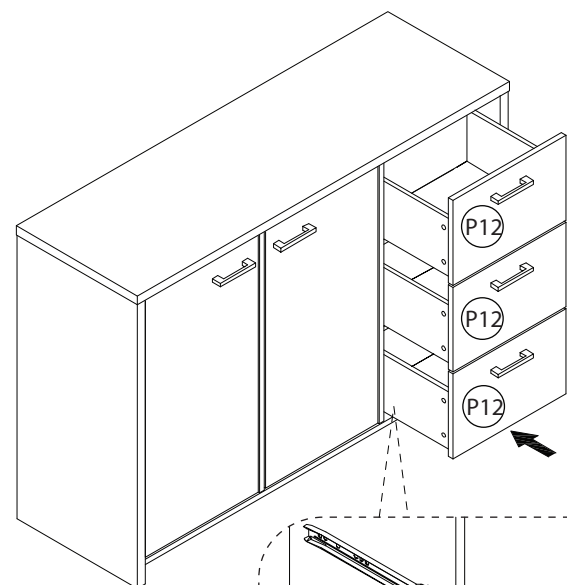


ASSEMBLY INSTRUCTIONS

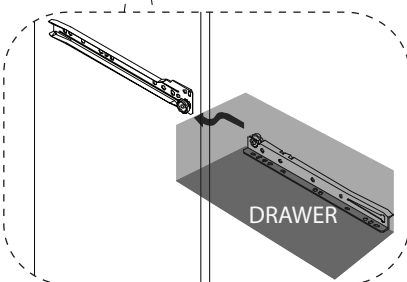
STEP 12 Assemble all 3 sets of drawers.



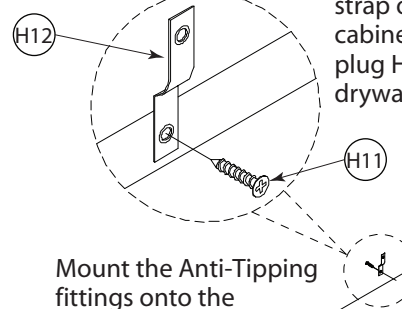
STEP 13



Slide-in each drawer into the compartment through the roller at every metal drawer slide set.



Tie the other end of the Anti-Tipping strap onto the wall against the cabinet by using screw H22. The wall plug H21 is usable if the wall is drywall.



Mount the Anti-Tipping fittings onto the center-back edge of the Top Panel of the cabinet by using screw H11.

