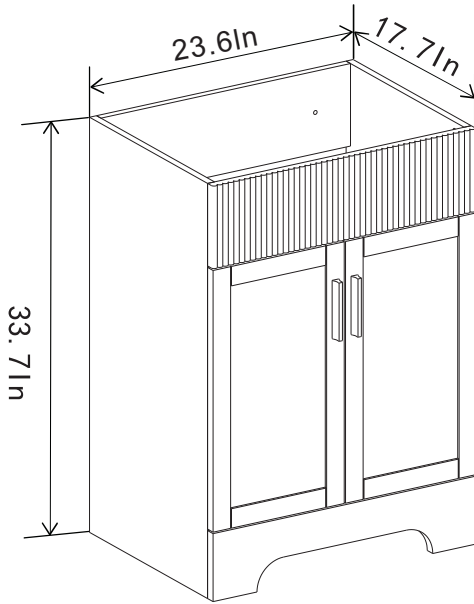
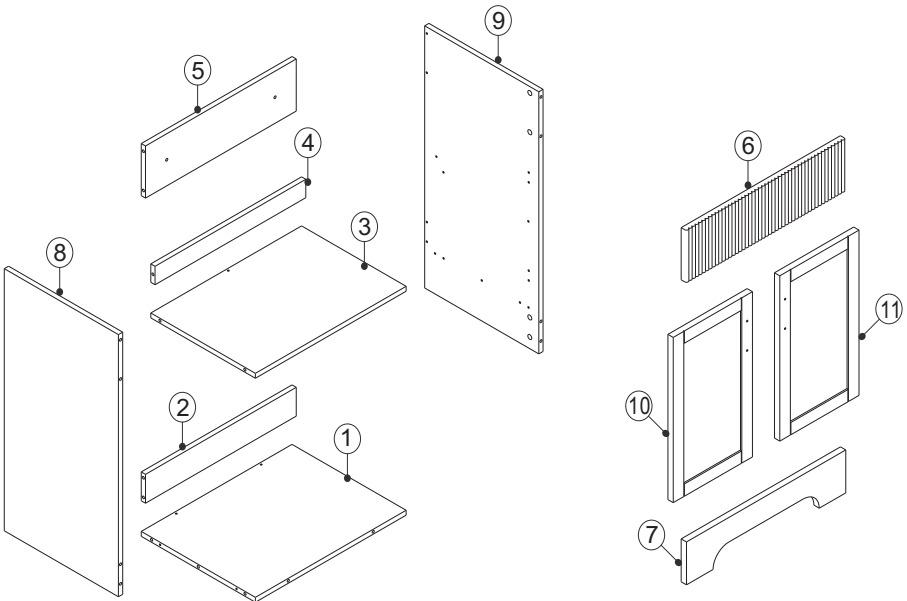


## **INSTALLATION INSTRUCTIONS**

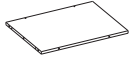



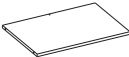





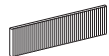


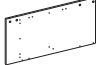
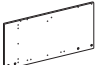


# DIMENSIONS



# ASSEMBLY DIAGRAM

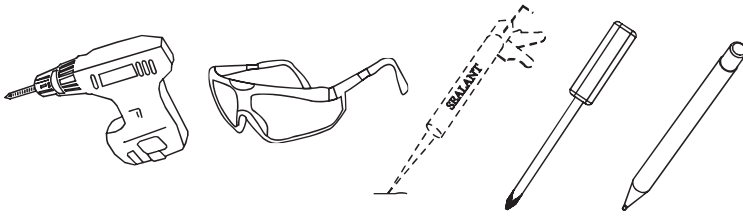


# PARTS LIST

PARTS LIST			HARDWARE LIST		
No.	Description	QTY	No.	Description	QTY
1		1	12	 Three-in-one Connector	33
2		1	13	 Wood Plug	4
3		1	14	 ST4*14 Screws	24
4		1	15	 Hinges	4
5		1	16	 Handle Screws M4x22	2
6		1	17	 ST5*60 Screws For Fix On The Wall	2
7		1			
8		1			
9		1			
10		1			
11		1			



**CAUTION:** Please confirm the parts list before installation

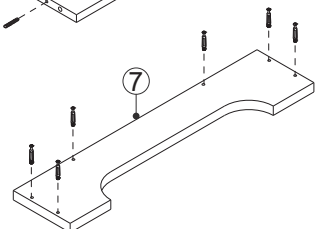
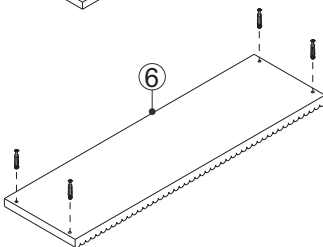
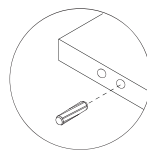
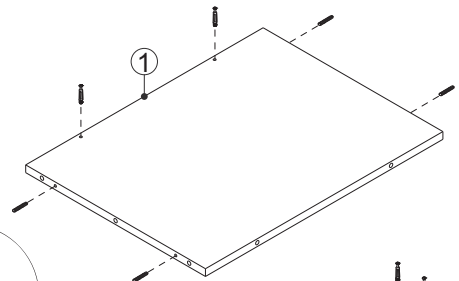
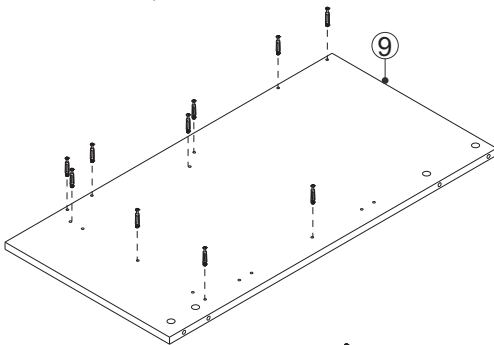
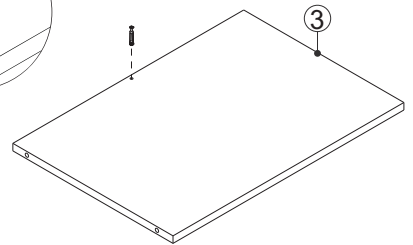
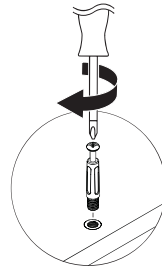
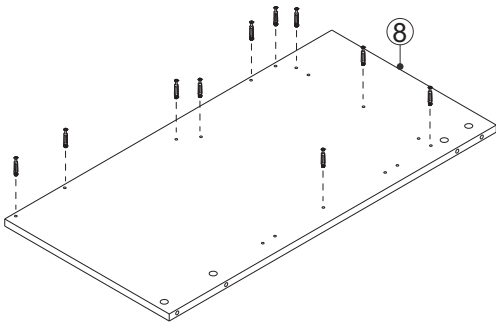
# YOU MAY NEED (NOT SUPPLIED)



## INSTALLATIONS

### STEP 1


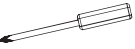

HARDWARE LIST		
⑫	33 PCS	
⑬	4 PCS	

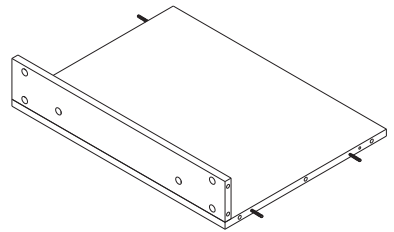
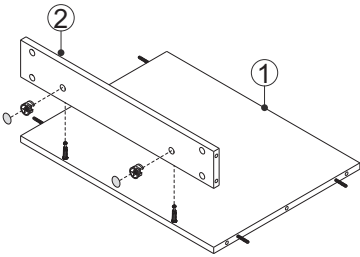
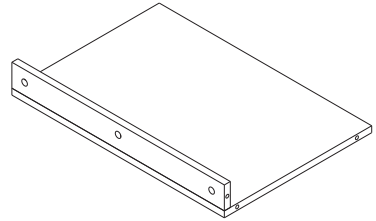
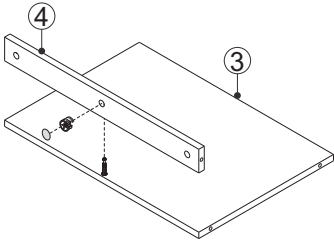


- Insert the Cam Screw into the shelves above.
- Insert the wooden dowel pins into the shelves.

## STEP 2

### HARDWARE LIST

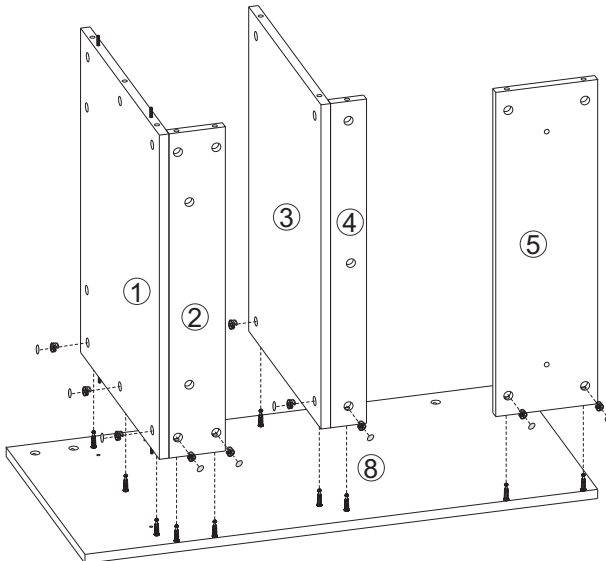
⑫		3 PCS	
⑫		3 PCS	





## STEP 3

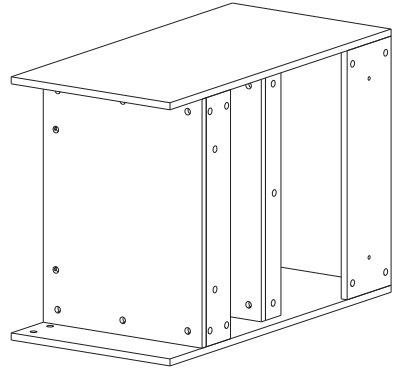
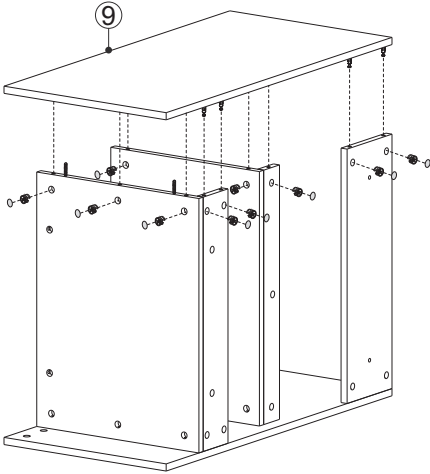
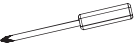
### HARDWARE LIST

⑫		10PCS	
⑫		10PCS	





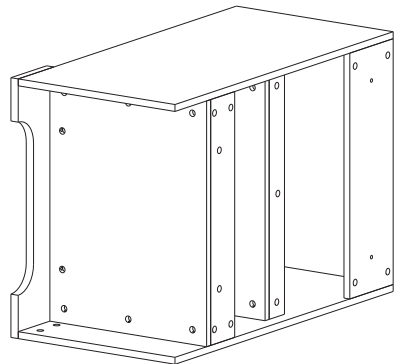
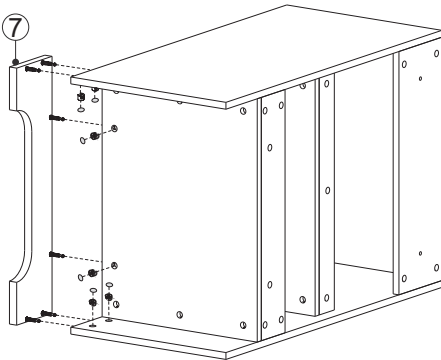
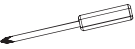
# STEP 4

HARDWARE LIST		
⑫		10PCS
⑫		10PCS


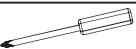



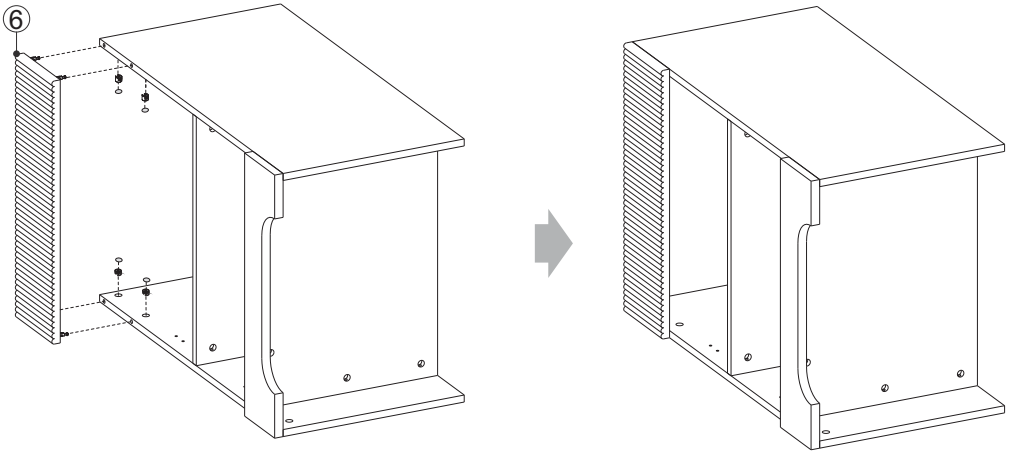
# STEP 5

HARDWARE LIST		
⑫		6 PCS
⑫		6 PCS





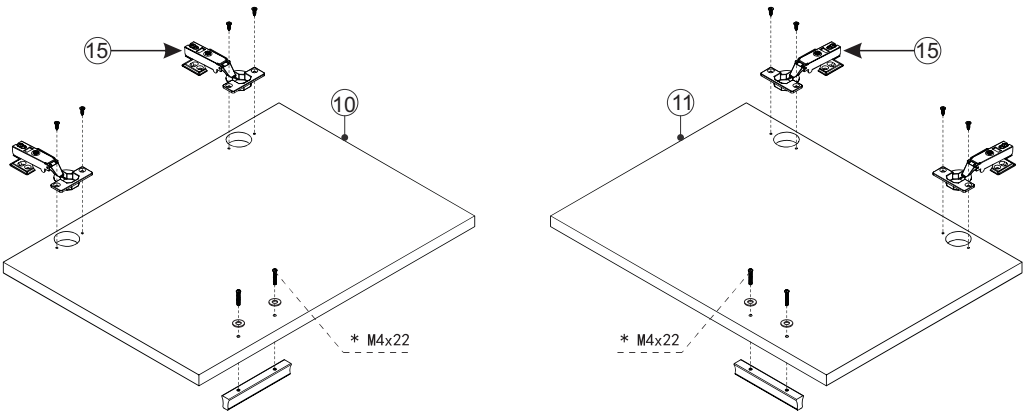
## STEP 6

HARDWARE LIST			
⑫		4 PCS	
⑫		4 PCS	



## STEP 8

HARDWARE LIST						
⑭		8 PCS	⑮		4 PCS	
			⑯		2 PCS	



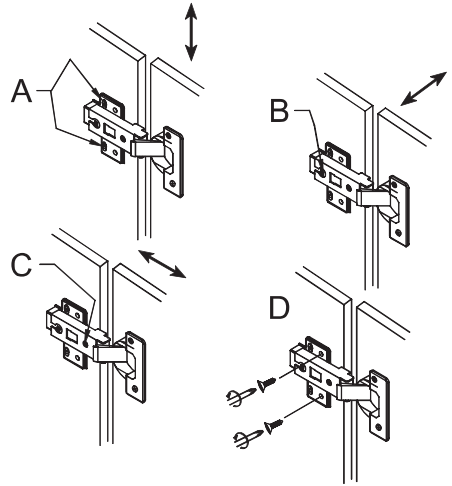
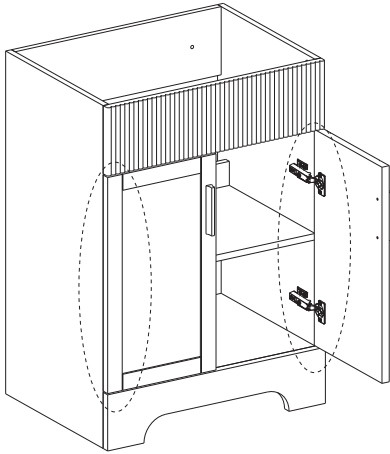
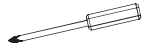
**Note:** see step 10 to adjust the door's position.

- Use ⑯ Screws to install the handle and apply ⑭ Screws to fix the hinge on the shelf #10. Then use ⑭ Screws to connect the hinge bracket to the cabinet. Repeat these steps for the other door.

## STEP 9

### HARDWARE LIST

⑭ 16 PCS



- A.Height adjustment      C.Side to side adjustment  
B.Depth adjustment      D.After adjustment A/B/C,tighten screws.

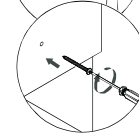
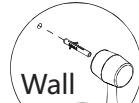
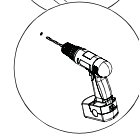
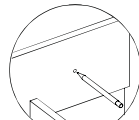
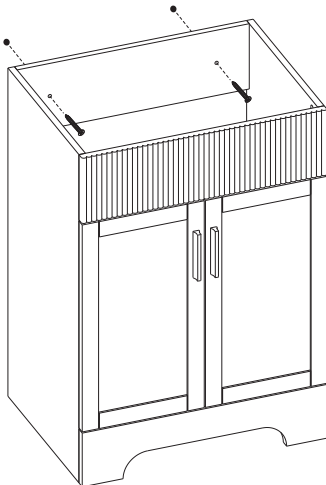
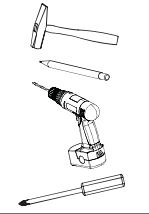
● To ensure proper cabinet alignment, refer to the above illustrations for instructions about adjusting the cabinet height, depth and lateral movement.

## STEP 10

### HARDWARE LIST

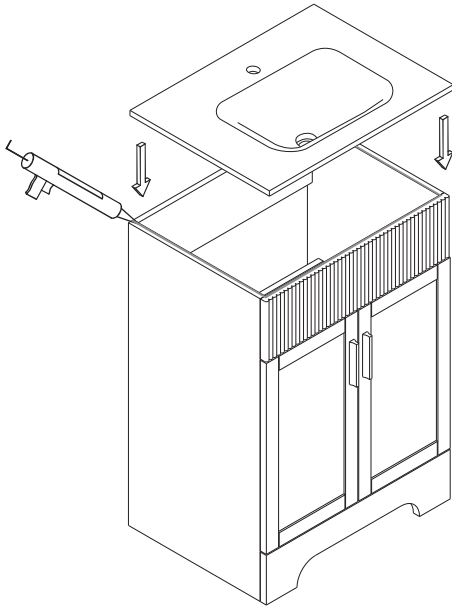
⑰ 2 PCS

⑰ 2 PCS



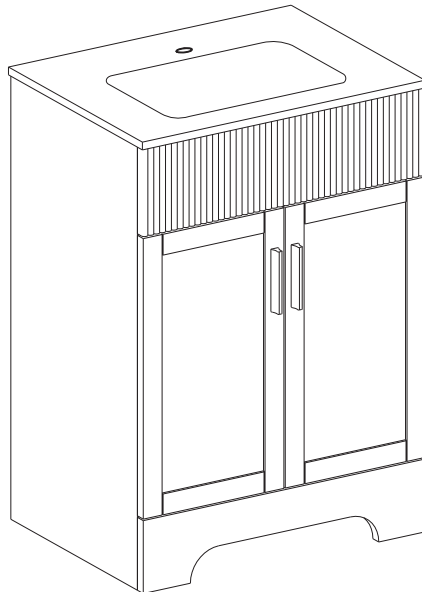
● Refer to the illustration,Draw the spacing between the walls on the cabinet,punch holes in the wall,and fix the cabinet to the wall with screws.

STEP 11



**silicone transparent**

STEP 12



## CARE AND CLEANING

1. Many cleansers contain abrasive and chemical substance which is not suitable for cleaning stainless steel, enamel, plating or plastic products. You may use mild cleansers or soaps to clean the surfaces. Wipe any splashes of cleaner solutions from the surface with a clean soft cloth.
2. Maintain ventilation in the bathroom and separate the dry area from the damp one if conditions permit. Try to open the door and windows of the bathroom to maintain adequate ventilation.
3. This cabinet is built to withstand normal bathroom humidity. For best results, keep this vanity dry and take necessary steps to minimize bathroom humidity by opening windows and doors and using the exhaust fan (if available).
4. To maintain the cabinet door, clean and wipe the door regularly with a soft cloth. Wipe condensation with a dry, soft cloth. Keep away from high temperatures.
5. Please do not sit, lean or step on the basin cabinet.



Thank you very much for purchasing from us.

We have always been trying to provide the best service and reliable products for every customer.

We sincerely hope you will be satisfied with our products and leave us FIVE STARS and POSITIVE feedback/ review in our page.

However, accident may happen sometimes, please contact us to resolve any issue before leaving a negative feedback.

Many thanks and welcome to our shop again!