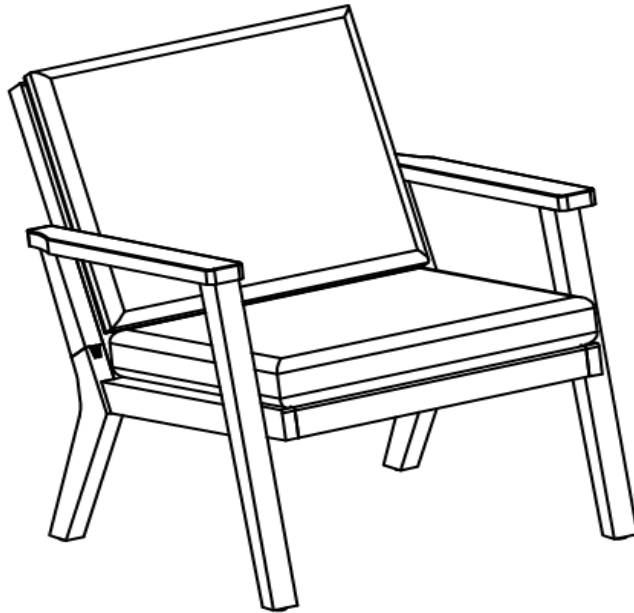


# Assembly Instructions

## **CHAIR**

**CAUTION: You should read this before proceeding**

**Please look in the Seat Panel for hardware packs**


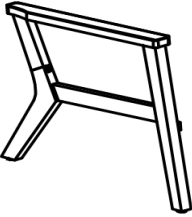
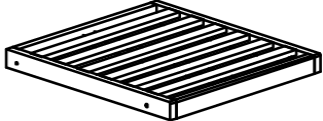

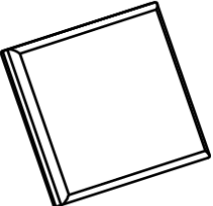



**CAUTION: This Chair is NOT a TOY.**

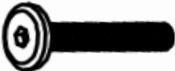

Keep your child/children at bay in the process of assembly.

For turning the Chair and to prevent damage to the Chair, 02 people may be needed to execute this action.

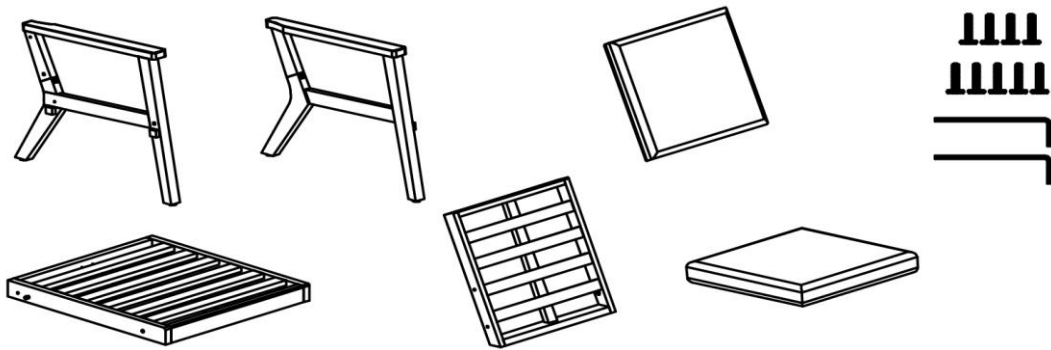
**Parts List**






<b>Label</b>	<b>Picture</b>	<b>Description</b>	<b>Qty</b>
A		Right Leg Panel With Pre-installed Levellers	1
B		Left Leg Panel With Pre-installed Levellers	1
C		Seat Panel	1
D		Backrest Panel	1
E		Back Cushion	1
F		Seat Cushion	1

**Hardware**

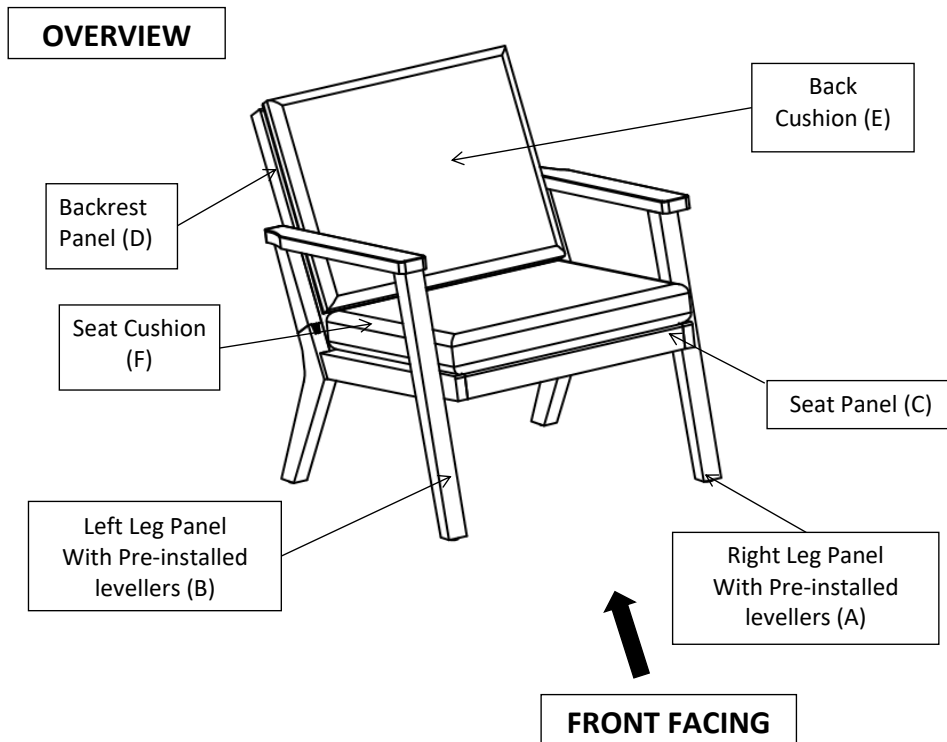
<b>Label</b>	<b>Picture</b>	<b>Description</b>	<b>Qty</b>
①		Bolt (M6*35mm)	9
②		Allen Wrench	2

## Assembly Preparation



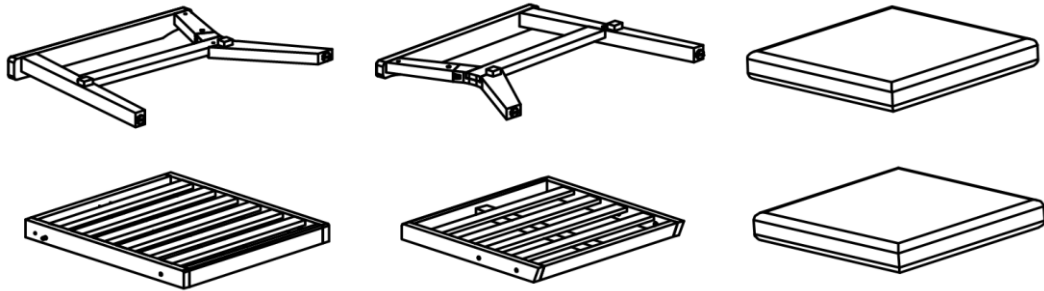
-  • Read instruction, cover to cover-
-  • Have 2 adults on hand for assembly-
-  • Do not assembly on flooring or carpet-
-  • Assemble on a clena non- marring surface (packing foam)-
-  • Save all packaging until finished-

## Assembly Steps



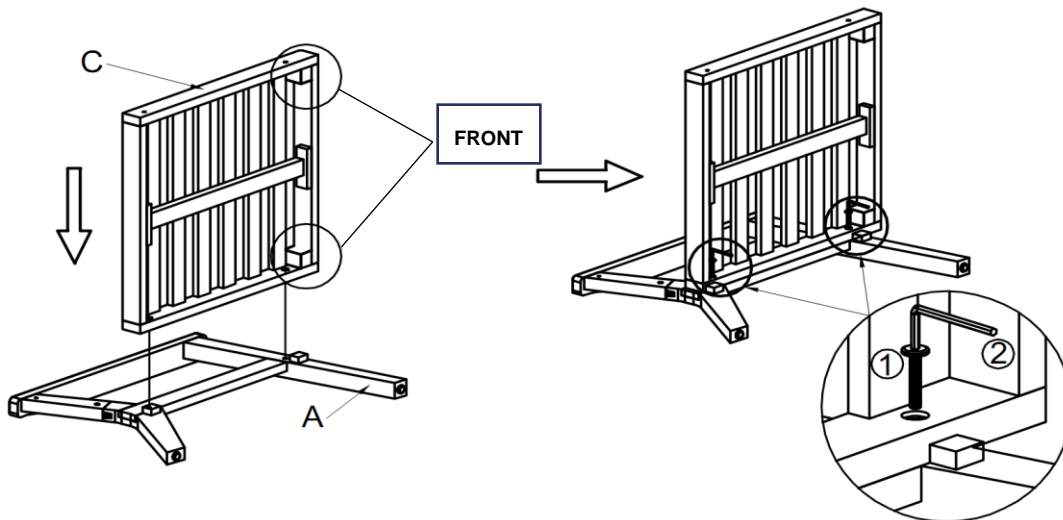
This Chair has multiple parts and may require up to some 30 minutes to assemble. To give you an overview of the Chair, the above picture is to help you put the various parts into perspective. Please read through the instructions here below to familiarise yourself with the parts and steps before assembly.

**Step 1**



Unpack and place all parts on a clean, non-marring surface.

**Step 2**



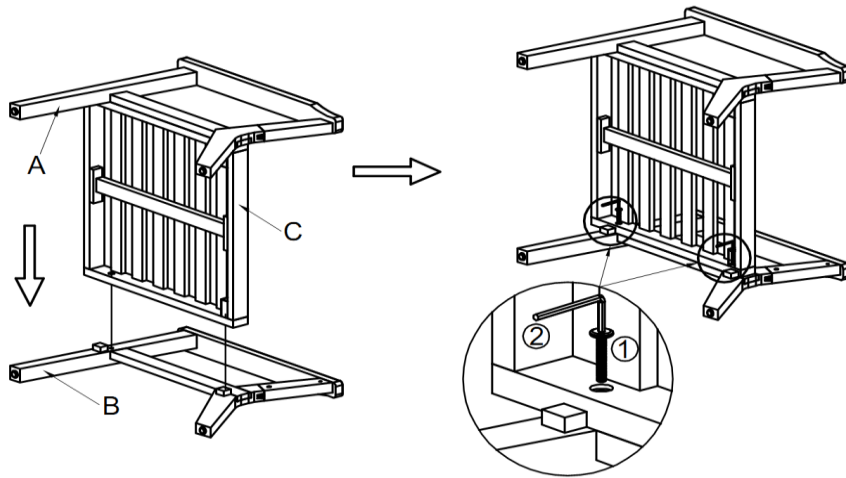
Position the Seat Panel(C) to the Right Leg Panel With Pre-installed Levellers(A) as shown in the above picture.

Then secure the Seat Panel(C) to the Right Leg Panel With Pre-installed Levellers(A) using 2 Bolts(1) and the Allen Wrench(2).

Do not fully tighten the Bolts at this time.

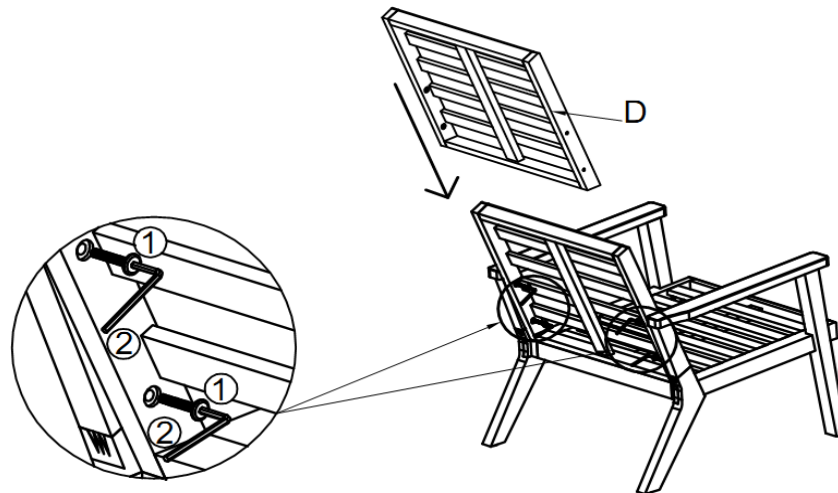
**Notice: Two wood brackets under the Seat Panel(C) are in the front direction when assembling.**

### **Step 3**



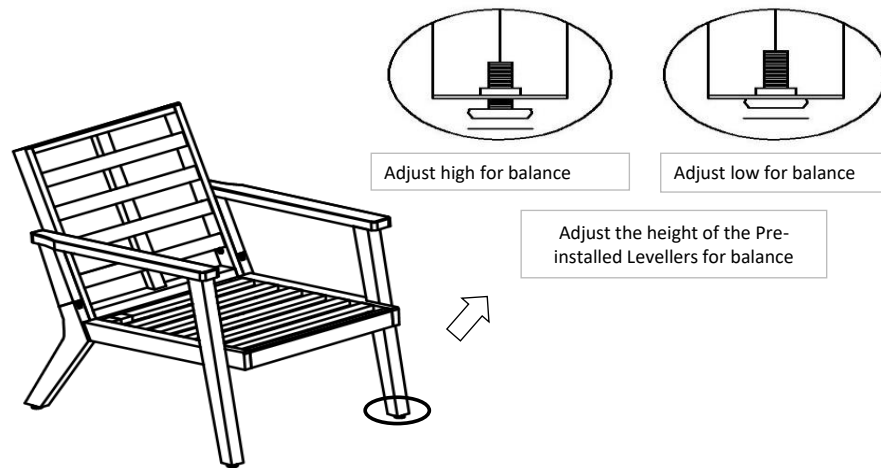
Position the Seat Panel(C) and the Right Leg Panel With Pre-installed Levellers(A) to the Left Leg Panel With Pre-installed Levellers(B) as shown in the above picture. Then repeat the same process of Step 2 to secure the Seat Panel(C) to the Left Leg Panel With Pre-installed Levellers(B) using 2 Bolts(①) and the Allen Wrench(②). Do not fully tighten the Bolts at this time.

### **Step 4**



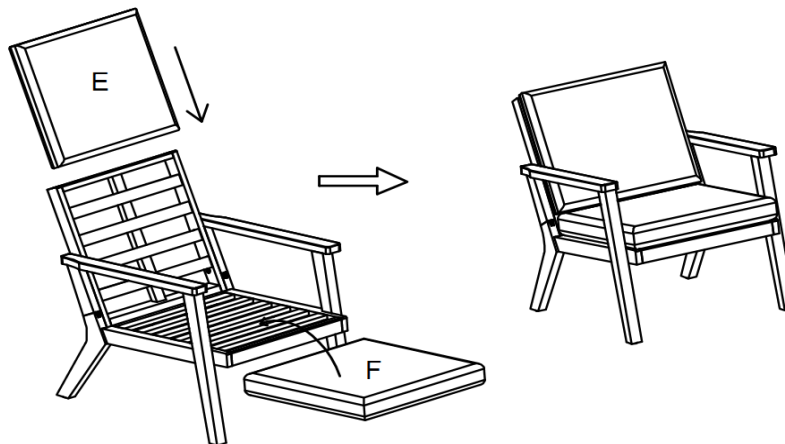
Place the Backrest Panel(D) into the Seat Panel(C) as shown in the above picture. Then secure the Backrest Panel(D) to the Right Leg Panel With Pre-installed Levellers(A) using 2 Bolts(①) and the Allen Wrench(②). Repeat the same process to secure the Backrest Panel(D) to the Left Leg Panel With Pre-installed Levellers(B). Do not fully tighten the Bolts at this time.

### **Step 5**



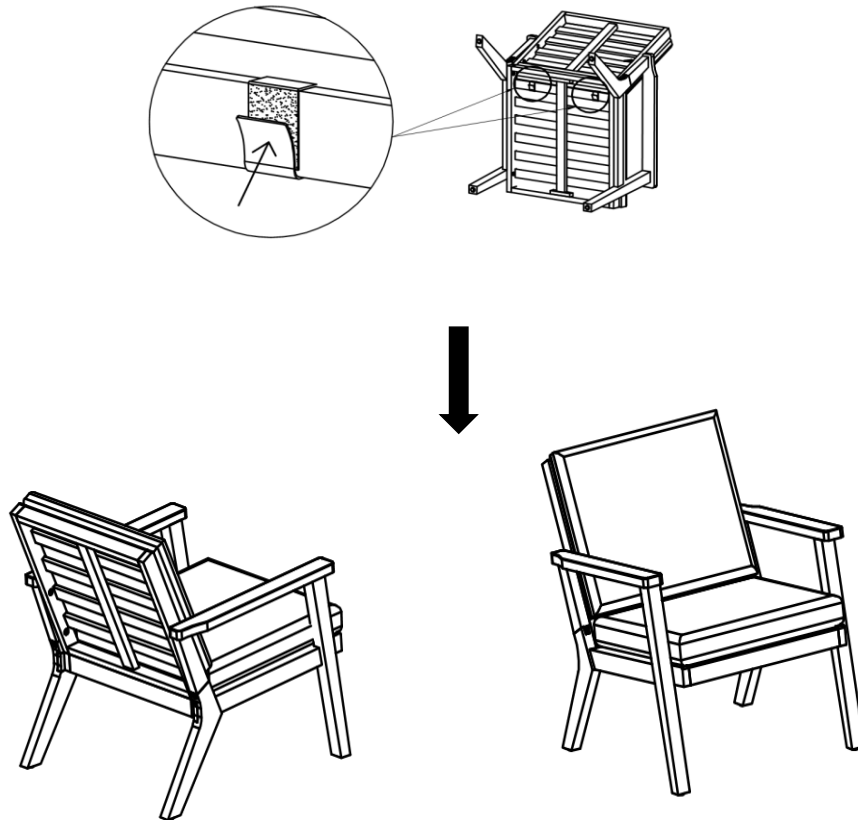
Stand the Chair up with the assistance from your adult partner.  
Exert pressure floorwards onto the Chair with both your hands.  
This pressure will help the Legs and Chair reach full alignment status.  
Check for wobbles on a LEVEL surface.  
If no wobbles are found proceed to tighten the Bolts in a sequential manner, until evenly secured.  
When tightening the Bolts, tighten sequentially.  
Do not tighten any Bolt fully and then move on towards the next one.  
If there are still wobbles, loosen the Bolts and execute the same above process.  
Adjust the Levellers until the Chair is level with the ground.  
To adjust the Levellers, get assistance from an adult partner to lift/lean and hold the Chair while you are working.

### **Step 6**












Place the Back Cushion(E) and the Seat Cushion(F) onto the Backrest(D) and the Seat Panel(C) as shown in the above picture.

**Step 7**



Tie the magic tape straps on the Back Cushion(E) and the Seat Cushion(F) to the Backrest Panel(D) and the Seat Panel(C) as shown in the above picture.  
Turn the Chair right side up.  
Your Chair is ready for use.  
This Chair can only be used on a flat, level surface.

## Care & Maintenance

- ⊗  ● Do not put hot items directly on furniture surface.
- ⊗  ● Do not clean furniture with harsh cleansers or polish.
- ✓  ● To obtain the longest lifespan of your outdoor products, minimizing exposure to direct sunlight is recommended.
- ⊗  ● Children should not climb or jump on the furniture.
- ⊗  ● Do not write on furniture without a padded barrier to protect the surface.
- ✓  ● To obtain the longest lifespan of your outdoor products, avoid extended and lengthy exposure to rain, snow, and direct sunshine. Whenever possible cover the product and /or place under patio or awnings.
- ⊗  ● Not for commercial use. For residential use only.
- ⊗  ● Stains may be removed with mild soap solution and damp cloth.
- ✓  ● Dust and pick-up spills using a clean, non-colored, lint-free cloth .