

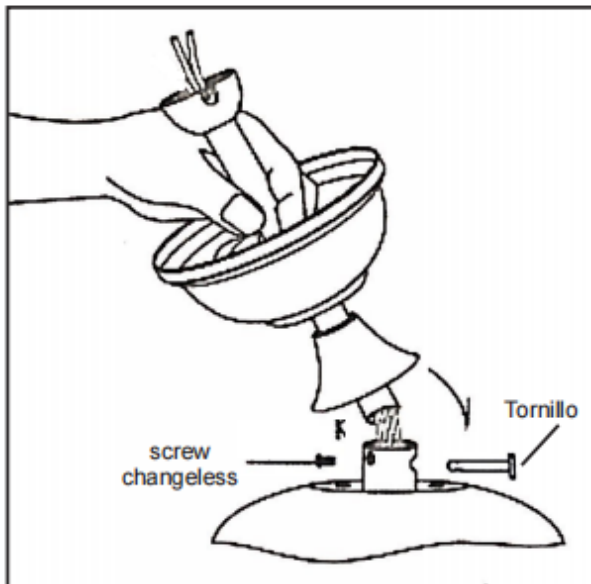
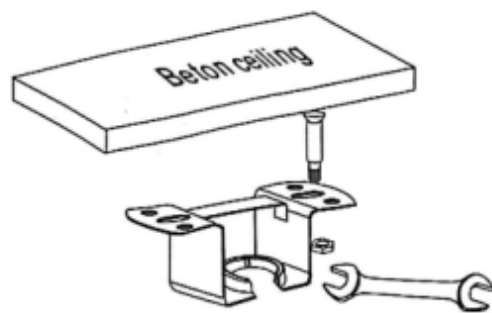
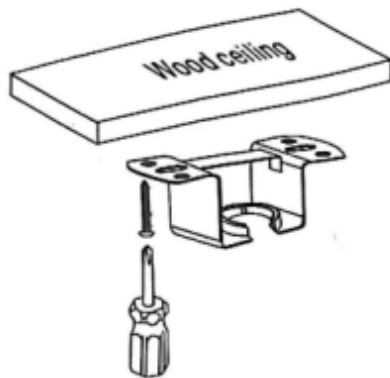
# INSTRUCTIONS

## Installation manual

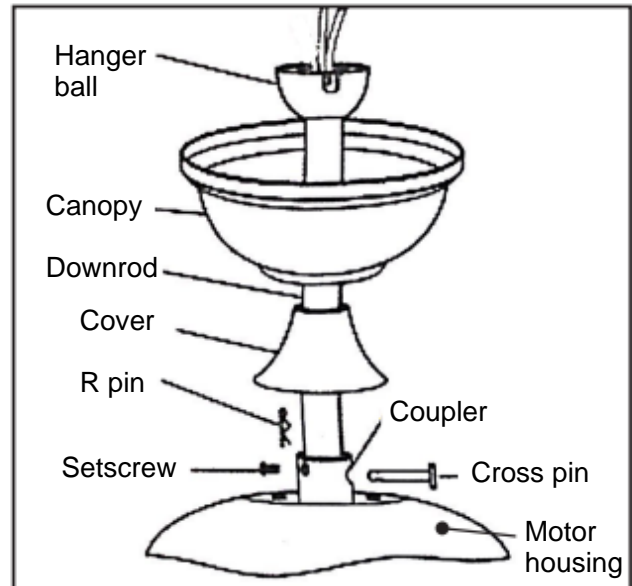
**IMPORTANT:** Before starting to install the equipment, please check whether the main power socket is turned off.

### 1. INSTALL THE SUSPENSION BRACKET

Screw the hanger onto the roof as shown in the figure. Use different screws according to the type of ceiling.

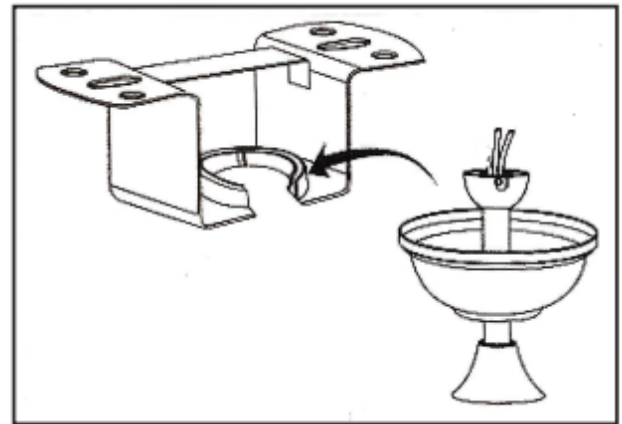
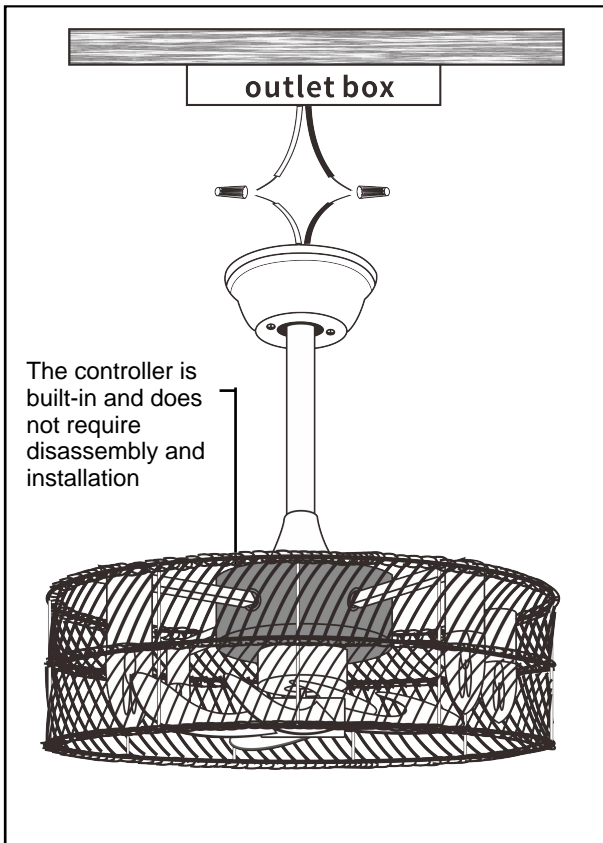


Remove connecting pin and unscrew it. Lead cable in through the lowering lever, considering these parts. Their order must be the same as that shown in the figure. Insert connecting rod downward advanced protector.



Loosen the two adjusting screws on the great. Fit connecting pin and screw into place. Make sure the alliance is tight.

## 2. WIRING TUTORIAL



2. Carefully lift the fan joint and place it on the shaft of the hanger. Make sure that the hole of the bracket and the structure to be connected are aligned with the upper flange of the hanger. After wiring, press upward and twist to adjust the position of the screw hole to connect the canopy to the suspension bracket. Later, Connection of fixing screws.

1. The wires of the motor are connected to the wires of the outlet box, and the black and white wires are not divided into positive and negative poles.

## 3. REMOTE CONTROL INSTRUCTIONS

