

INSTALLATION

Product Manual



IMPORTANT INFORMATION!

Please read the entire manual before starting to assemble and/or using this product. Follow the manual thoroughly and keep it for further reference.



AVOID SCRATCHES!

In order to avoid scratching this furniture should be assembled on a soft layer-could be a rug.



IMPROVE EFFICIENCY !

Try to find a partner to install with you, which can speed up the installation efficiency and shorten the time.



ANTI-TOPPLE WARNING !

Overturnd furniture can cause serious or fatal crush injuries. To prevent tipping over, be sure to use the wall attachment, if not included with this product. Please purchase the wall attachment that fit your wall. If unsure, seek professional advice. Please read and follow each step of the instructions carefully.

IMPORTANT !

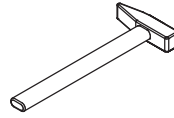
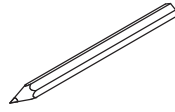
It is important that any product which is assembled using any kind of screw is re-tightened 2 weeks after assembly, and once every 3 months - in order to assure stability through-out the lifespan of the product.

For regular maintenance and cleaning of the product, for the frame, please use a rag dipped in neutral detergent to fully wipe it, and then dry it with a clean rag. For glass materials, wipe with a rag dampened with water glass cleaner, and then dry with a dry rag.

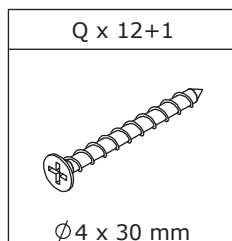
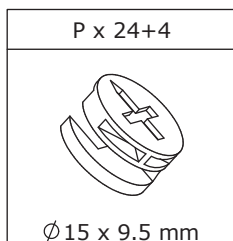
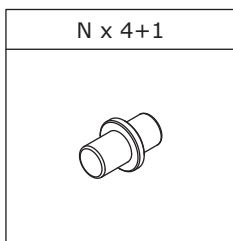
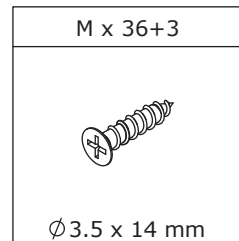
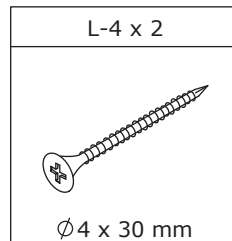
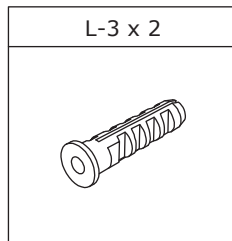
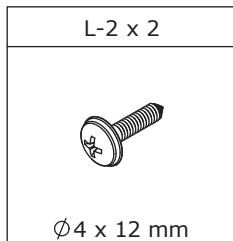
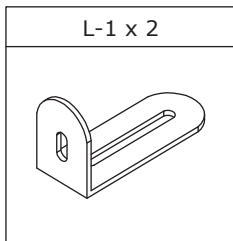
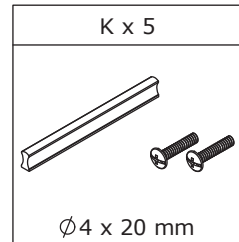
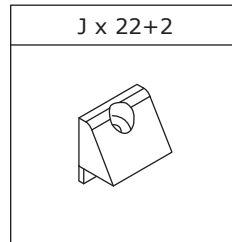
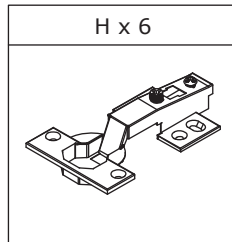
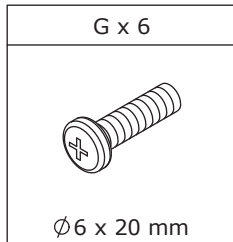
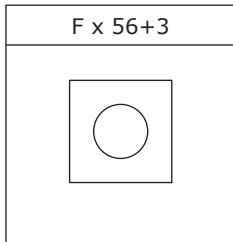
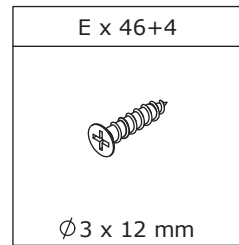
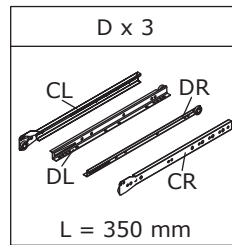
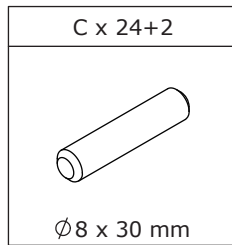
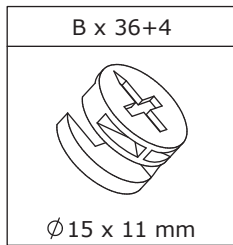
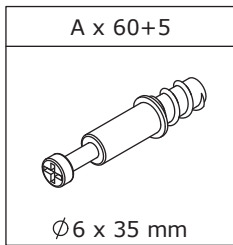
Do not use an electric screwdriver, and do not use too much force when installing, because the board is easy to break.

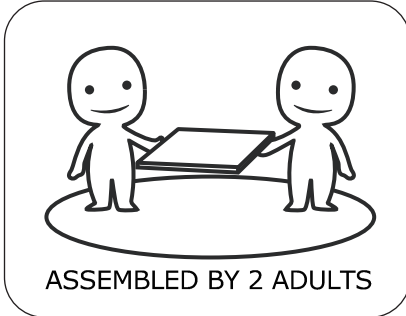
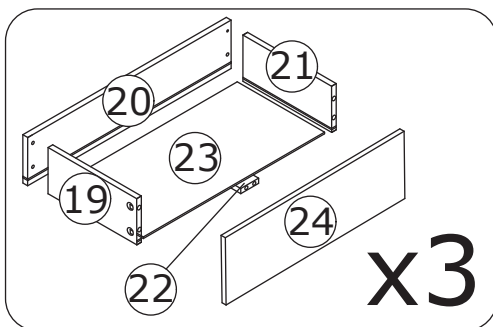
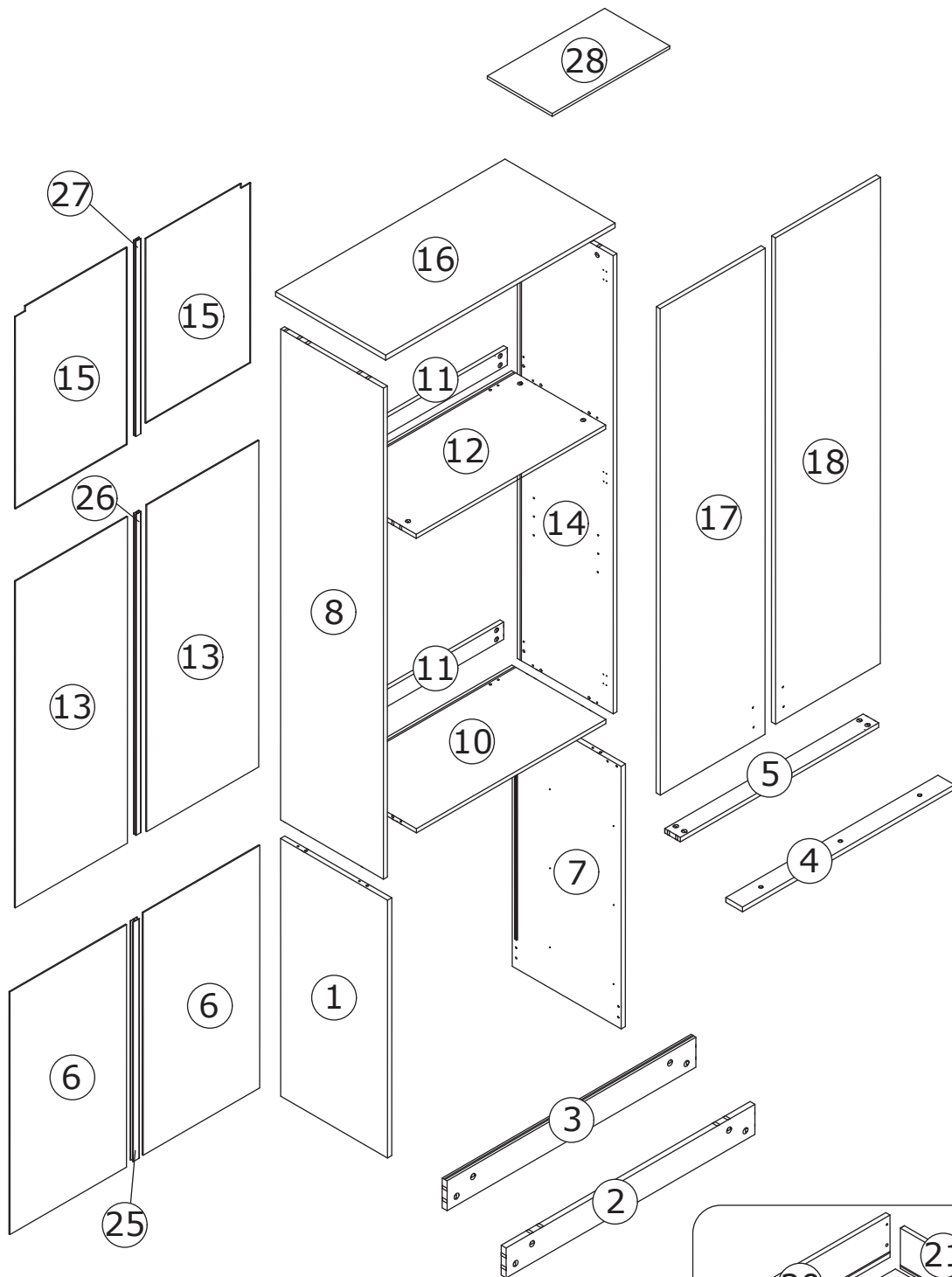


Please prepare the following tools



When installing, please carefully confirm whether each screw corresponds to the manual, accessories with similar shapes can be distinguished by size





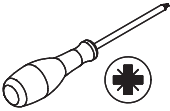
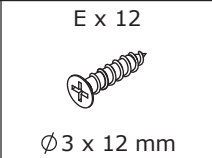
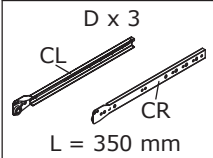
⚠ WARNING

Children have died from furniture tipover. To reduce the risk of furniture tipover:

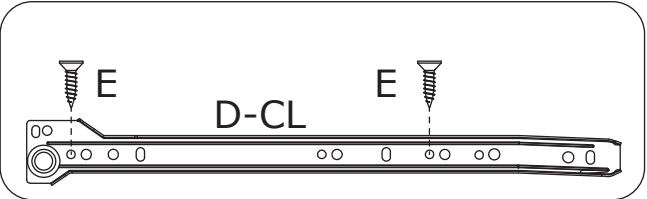
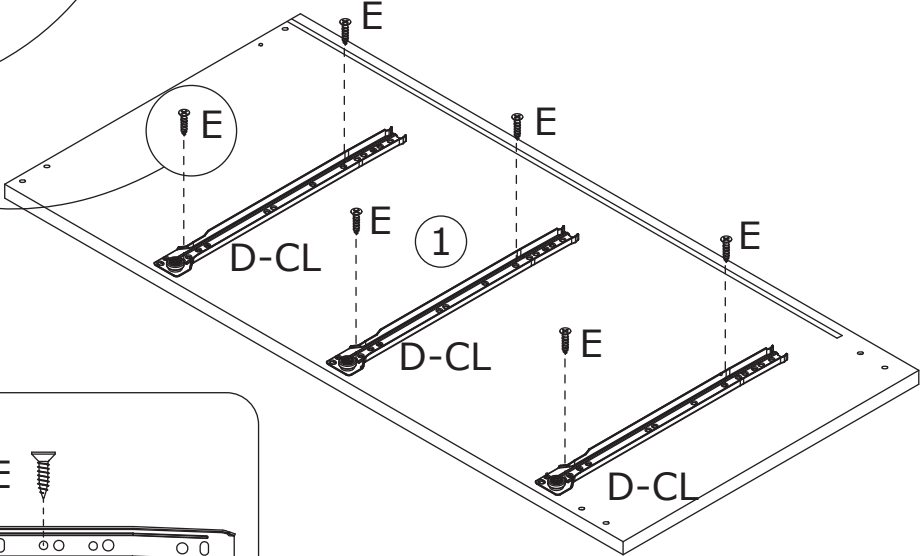
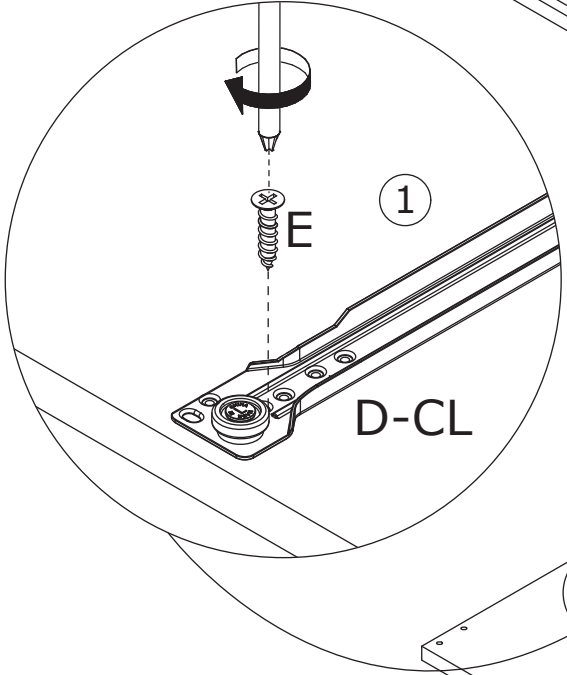
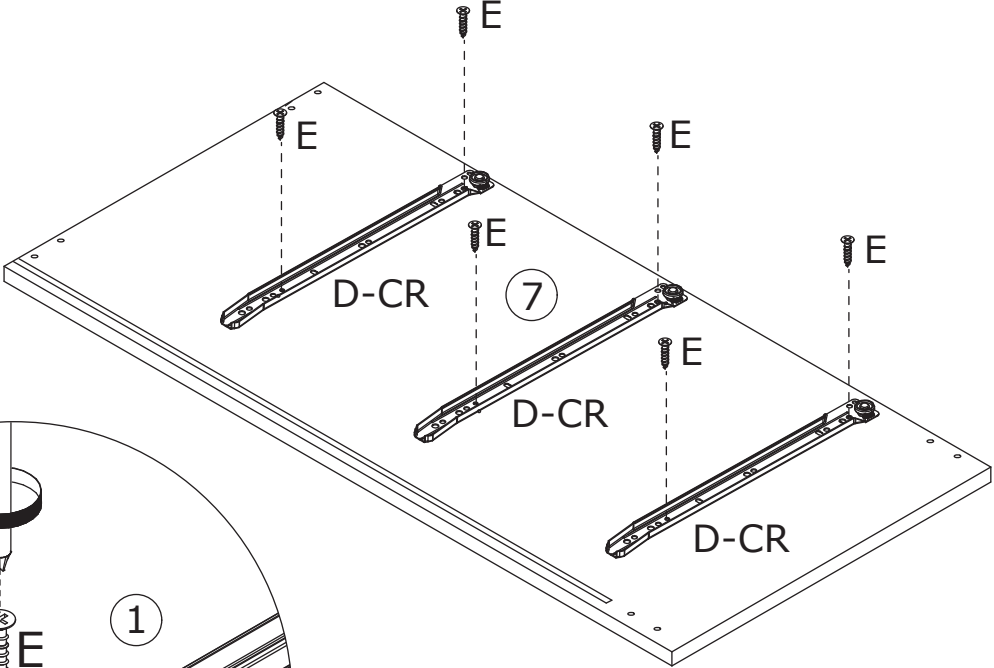
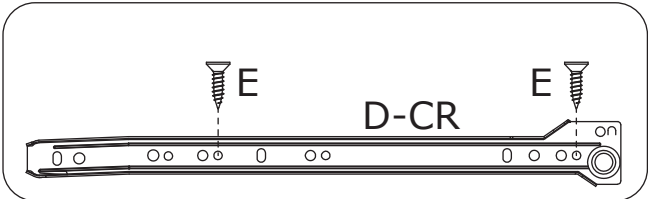
- ALWAYS install Anti-tip device provided.
- NEVER put a TV on this product.
- NEVER allow children to stand, climb or hang on drawers, doors, or shelves.
- NEVER open more than one drawer at a time.
- Place heaviest items in the lowest drawers.

This is a permanent label. Do not remove!

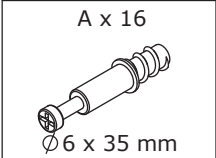
1



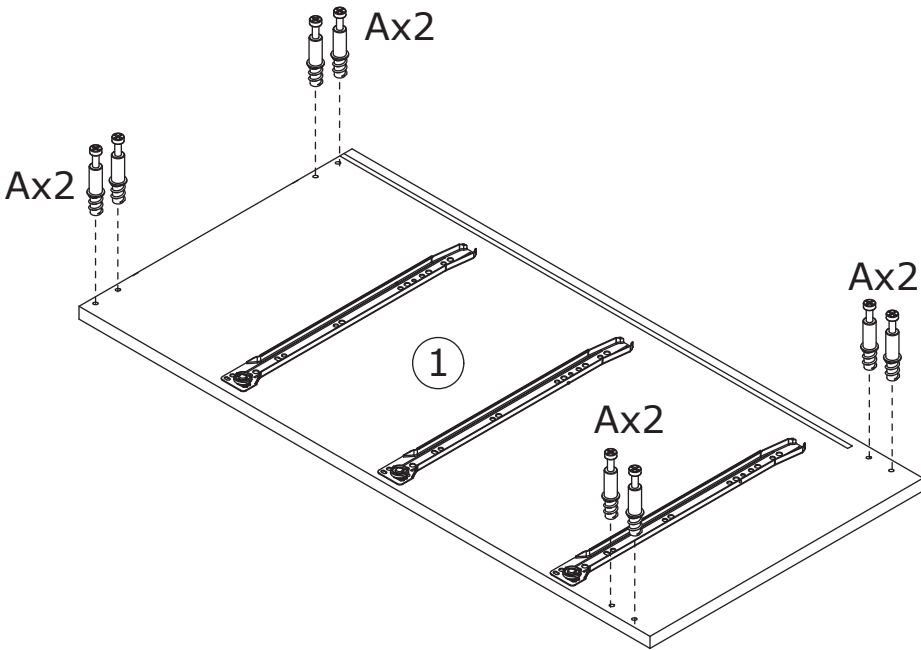
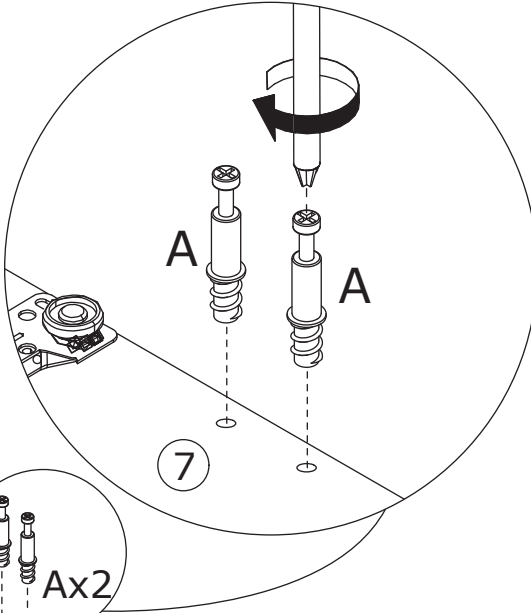
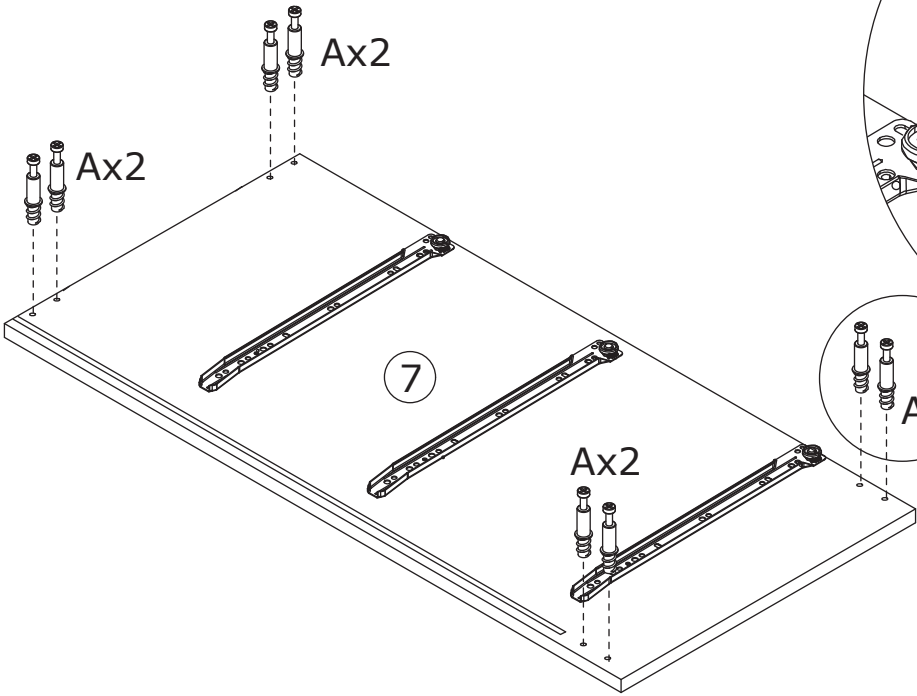
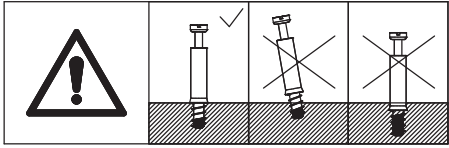
Secure slide rail (D-CR) and (D-CL) to part 7 and 1 with screw (E) as shown.



2

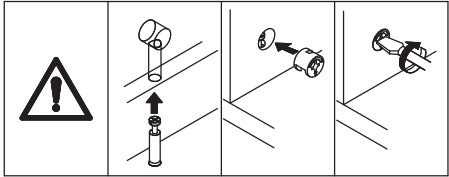


Screw eccentric rod (A) onto part 7 and 1 as shown.

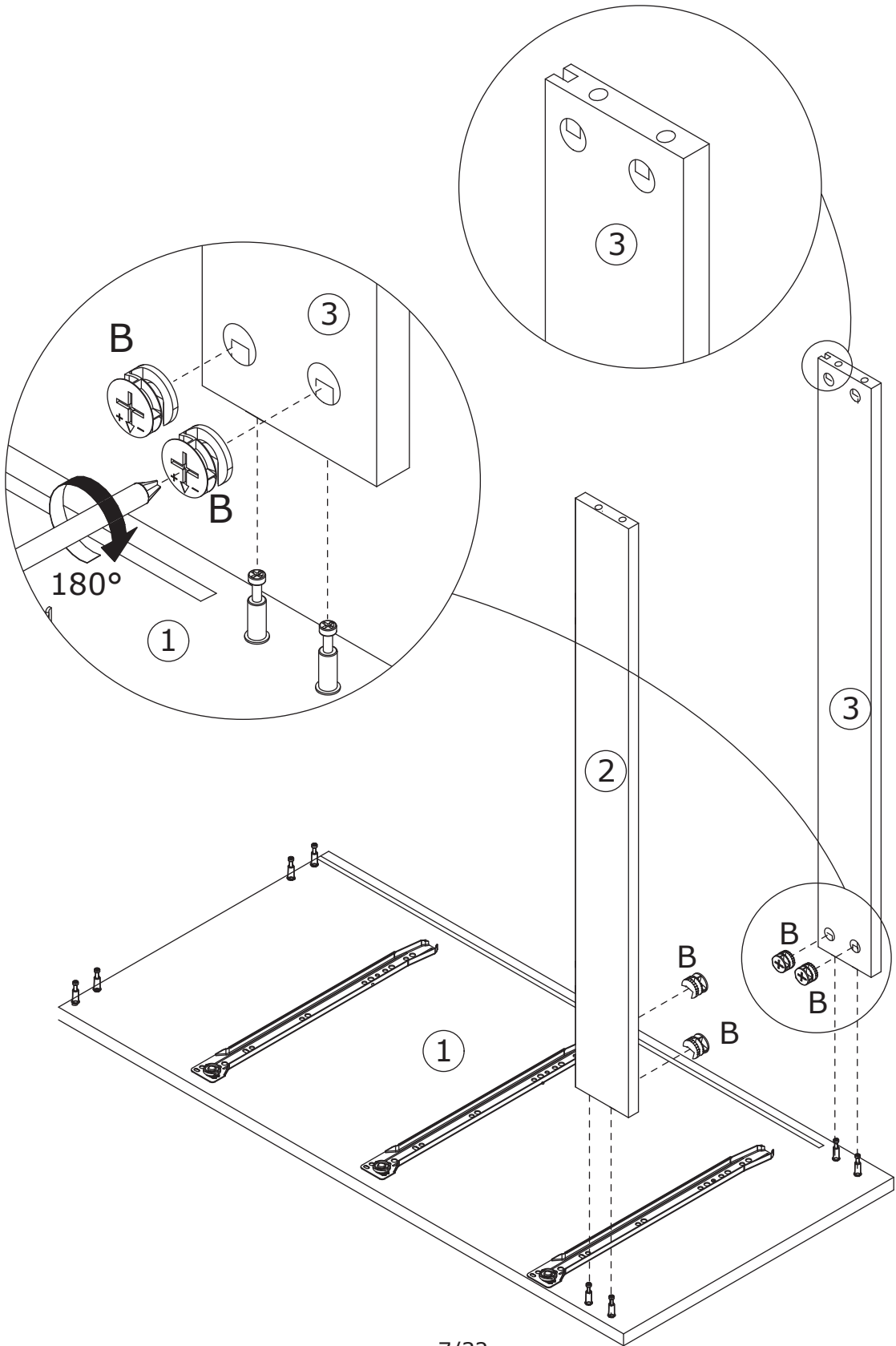


3

B x 4
Ø15 x 11 mm

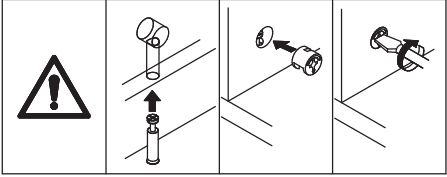
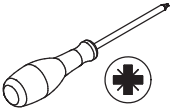


Connect part 2 and 3 to part 1, then tighten by turning the cam lock (B) clockwise as shown.

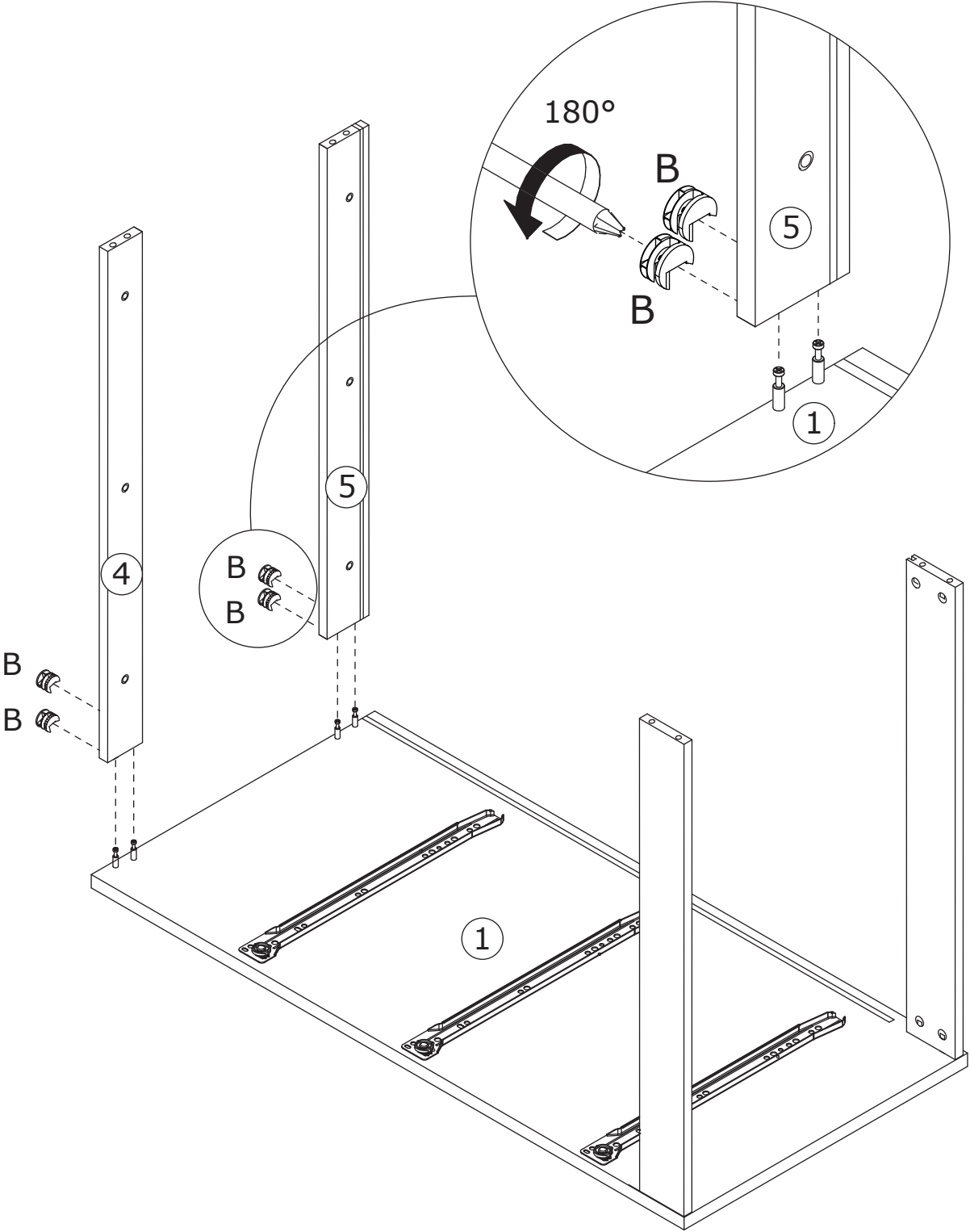


4

B x 4
Ø15 x 11 mm

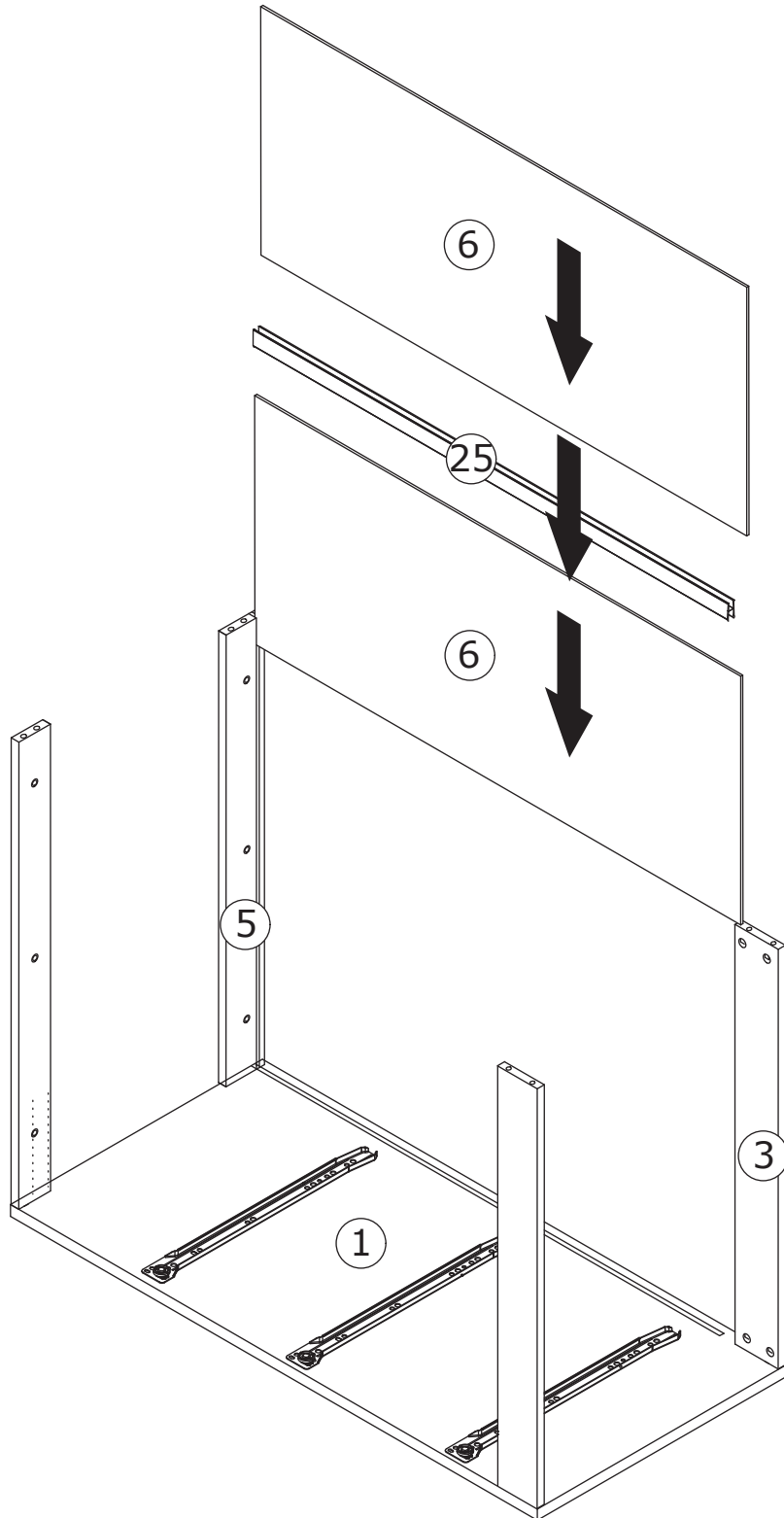


Connect part 4 and 5 to part 1, then tighten by turning the cam lock (B) clockwise as shown.



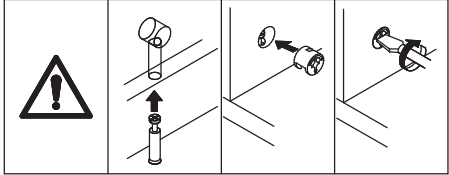
5

Insert part 6 and 25 along the grooves as shown.

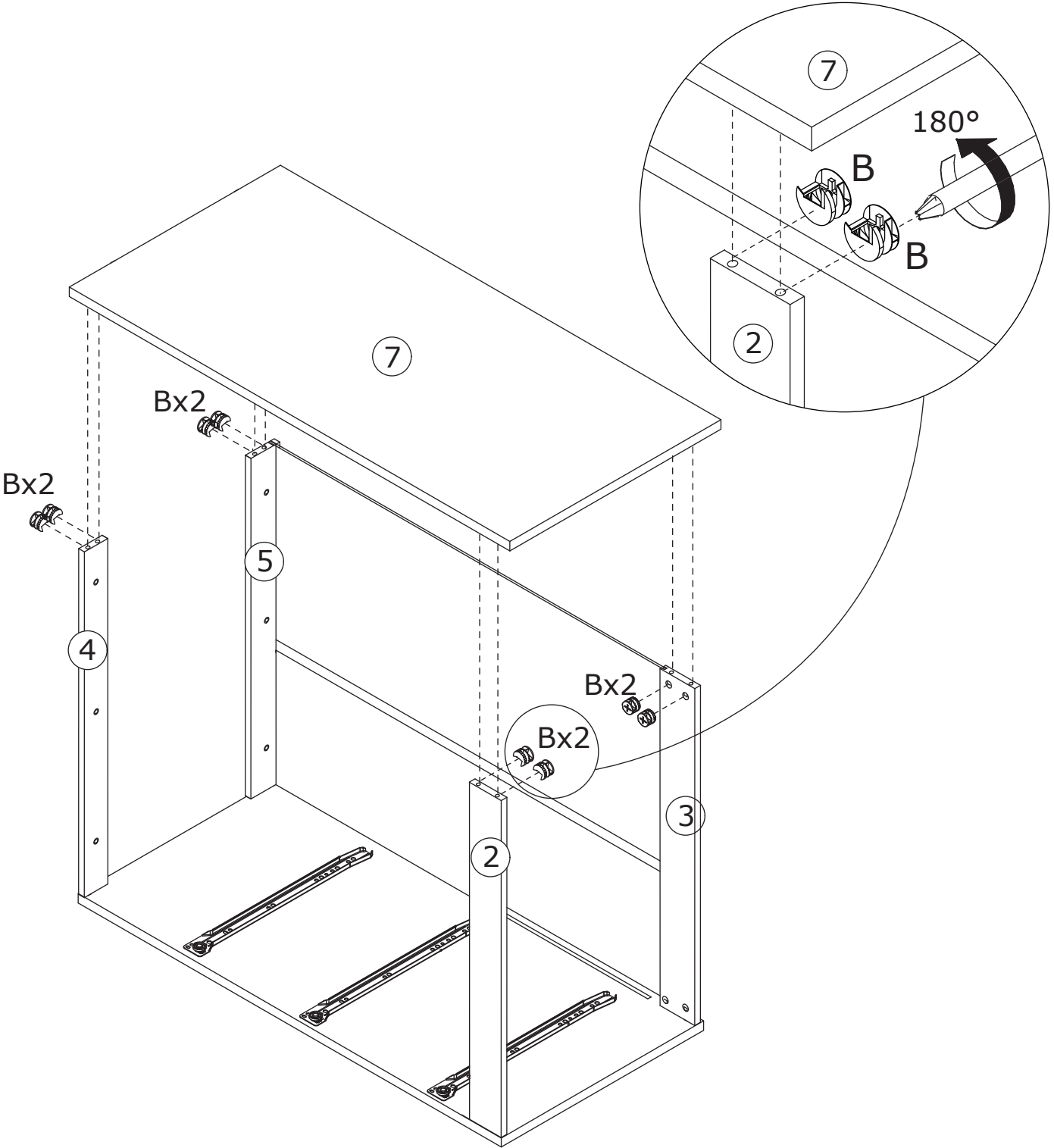


6

B x 8
Ø15 x 11 mm



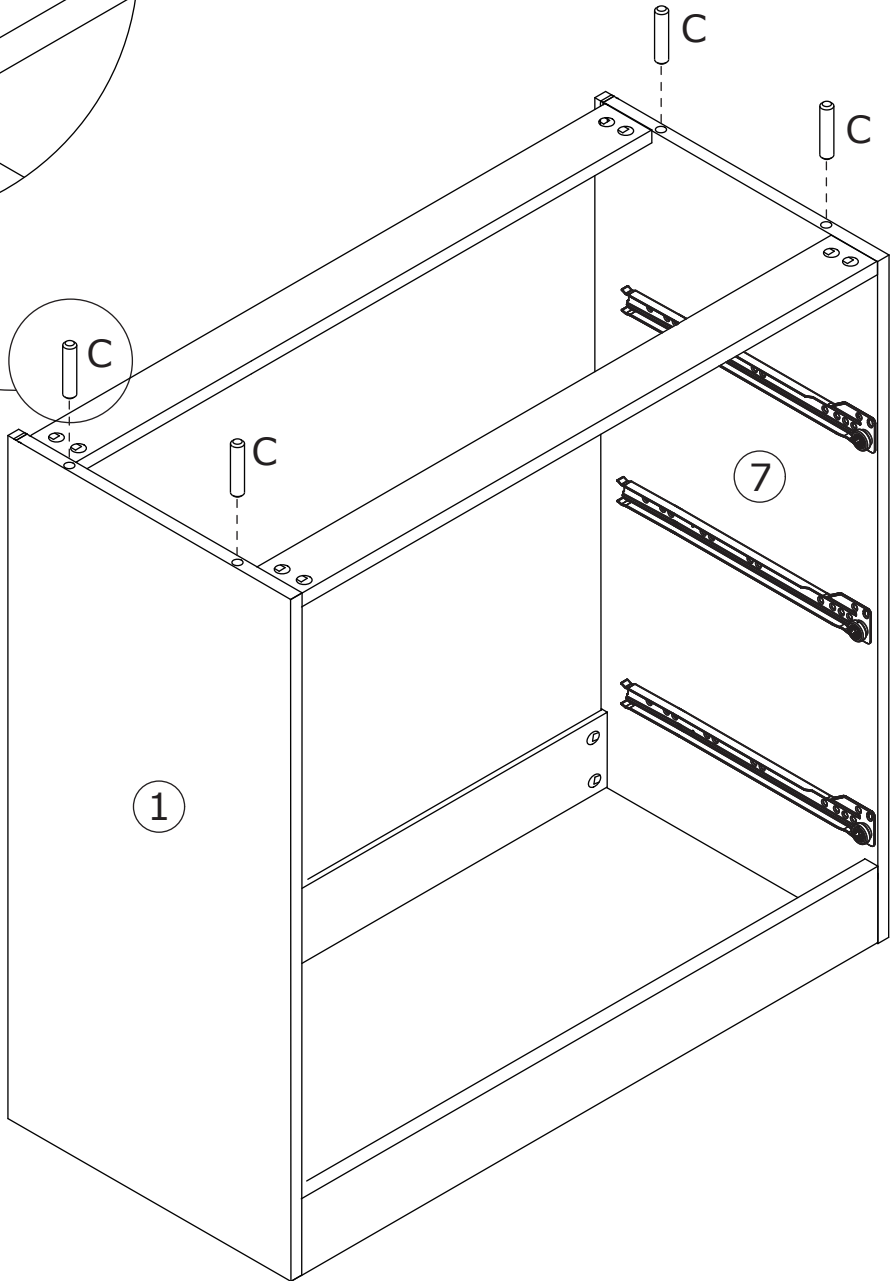
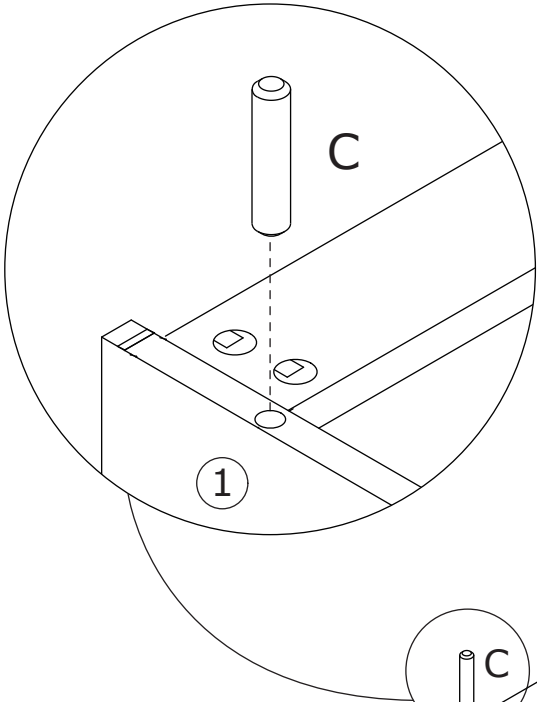
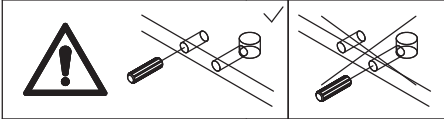
Connect part 7 to part 4, 5, 2, and 3, then tighten by turning the cam lock (B) clockwise as shown.



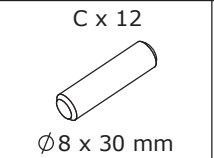
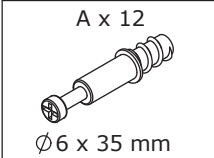
7

C x 4
Ø8 x 30 mm

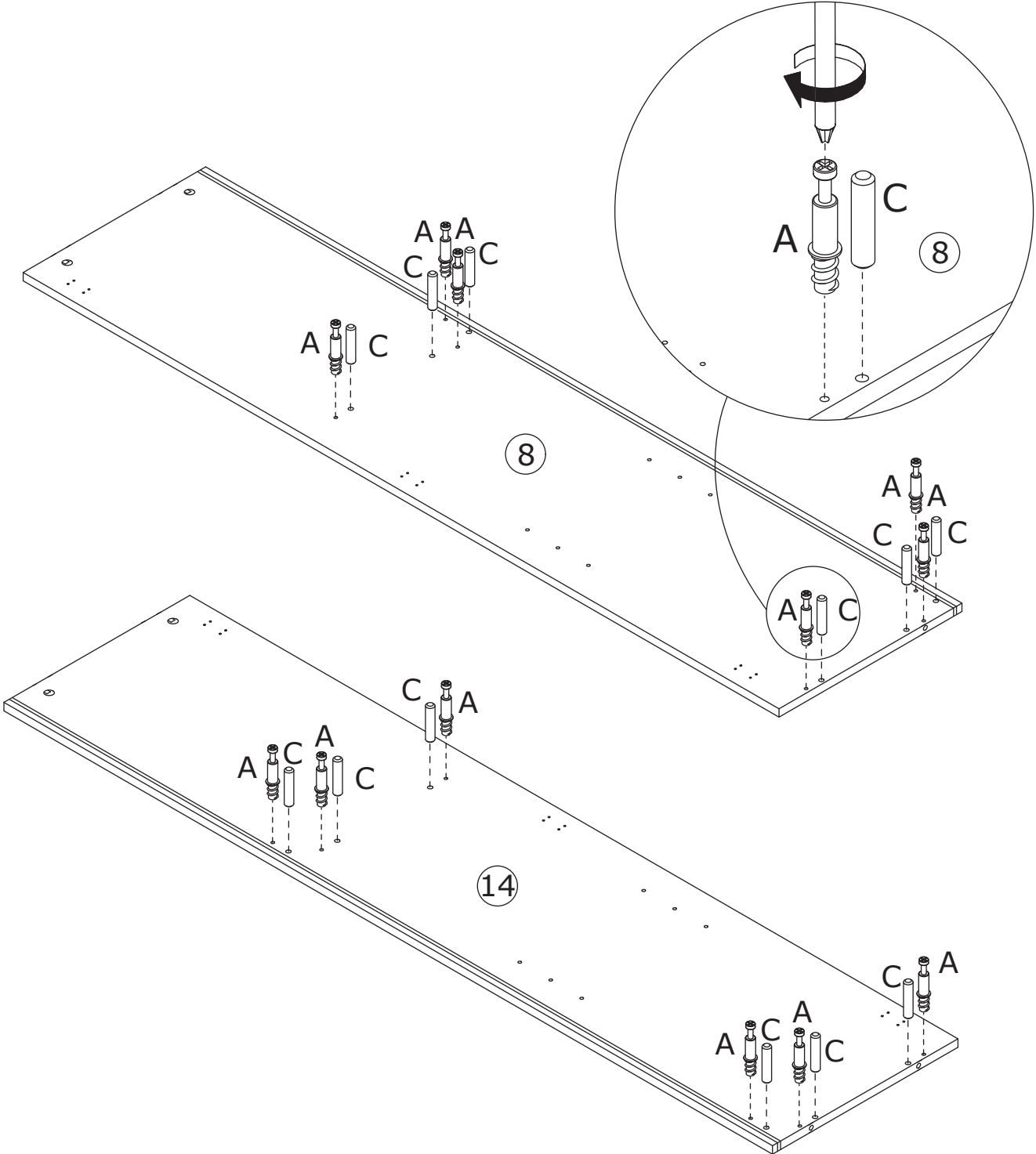
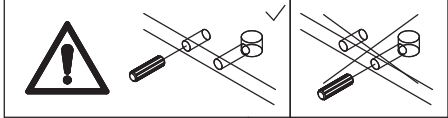
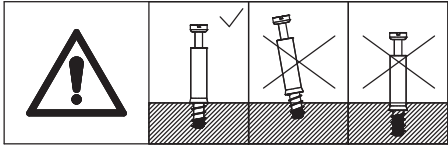
Insert wooden peg (C) into part 1 and 7.



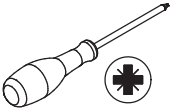
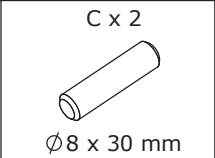
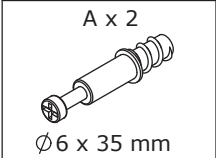
8



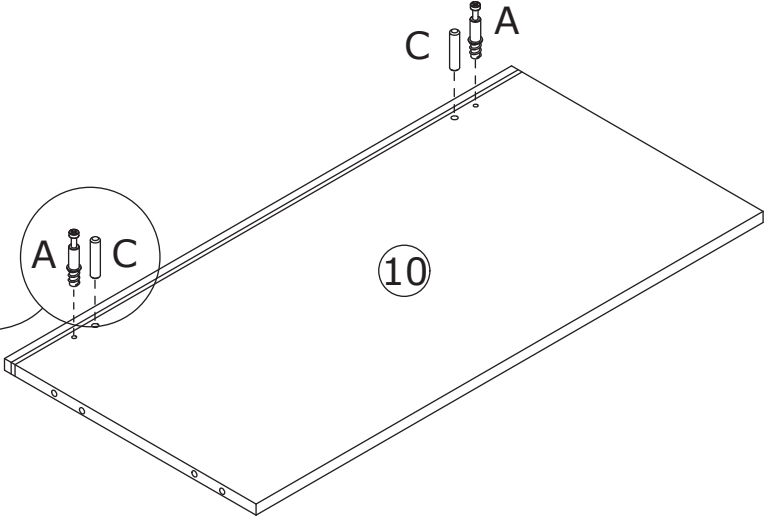
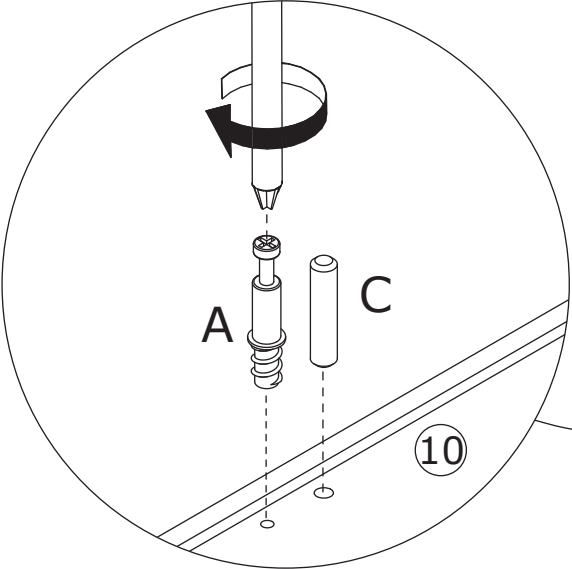
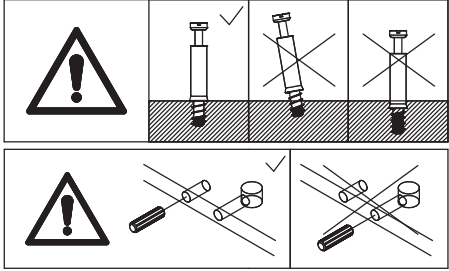
Screw eccentric rod (A) and insert wooden peg (C) to part 8 and 14 as shown.



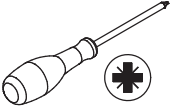
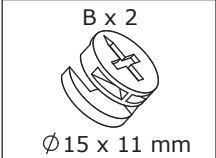
9



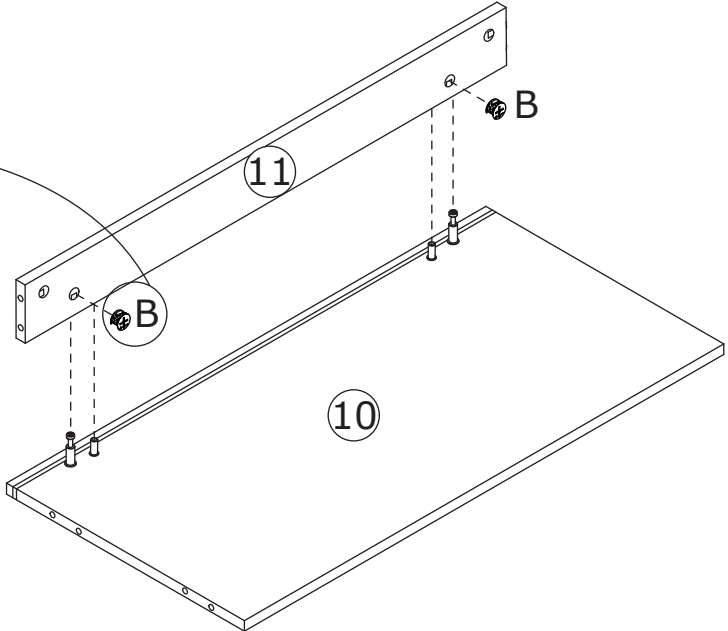
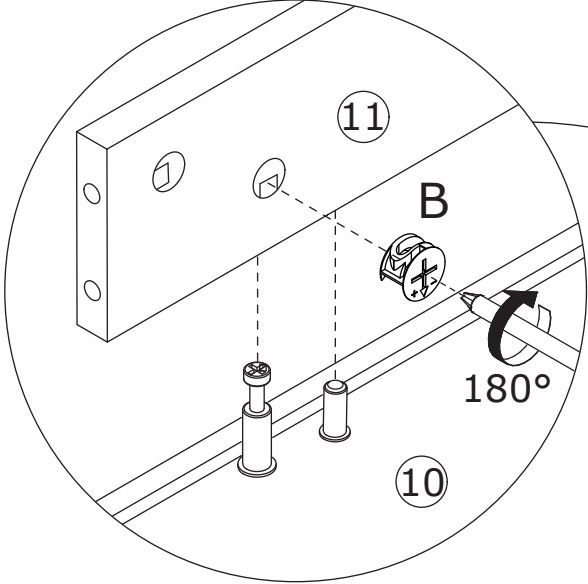
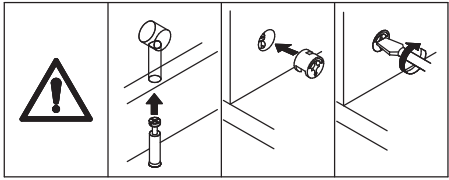
Screw eccentric rod (A) and insert wooden peg (C) to part 10 as shown.



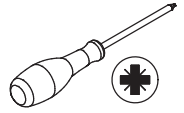
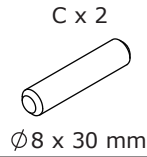
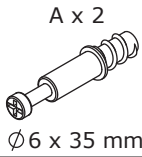
10



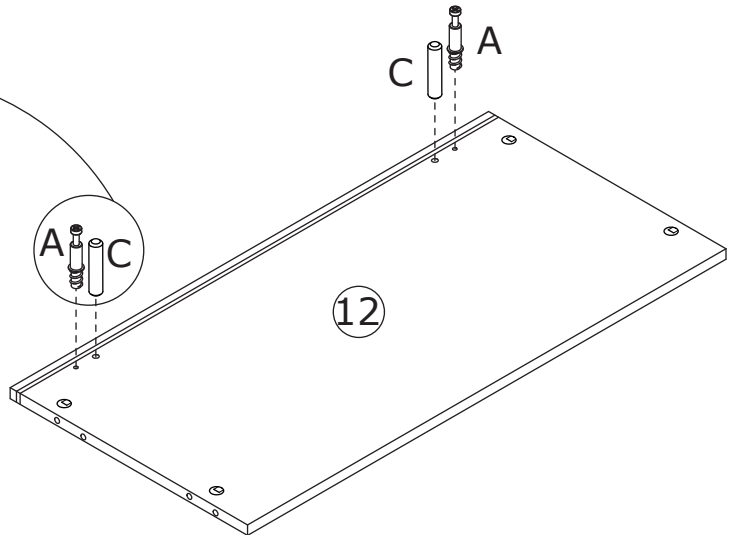
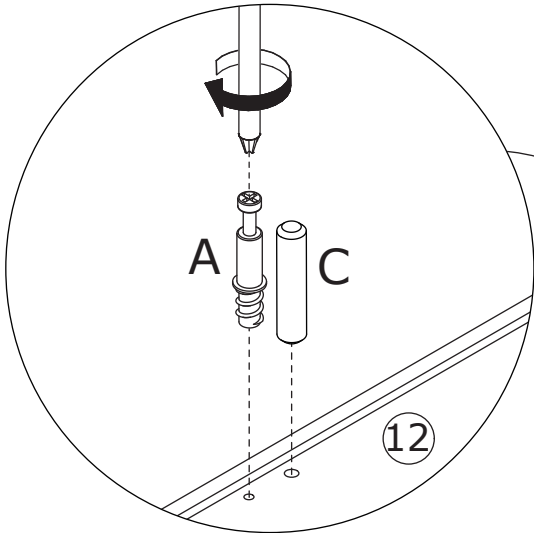
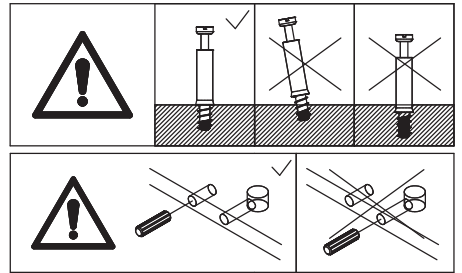
Connect part 11 to part 10, then tighten by turning the cam lock (B) clockwise as shown.



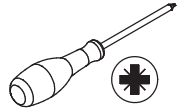
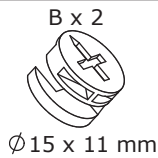
11



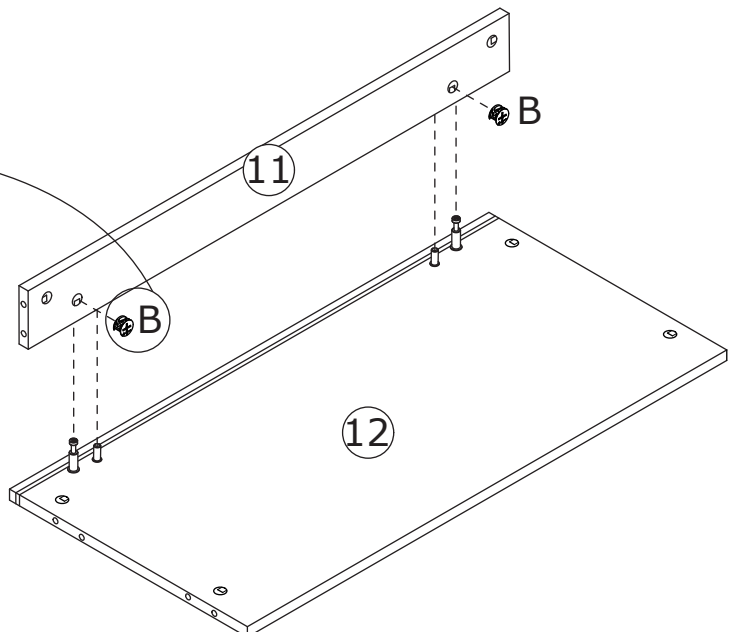
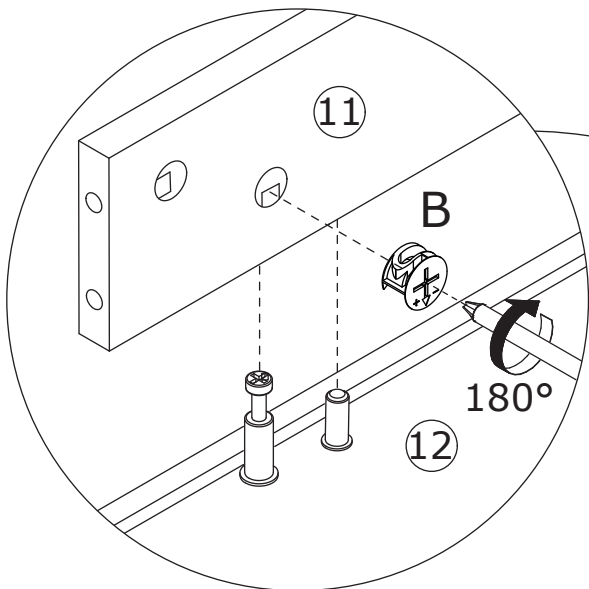
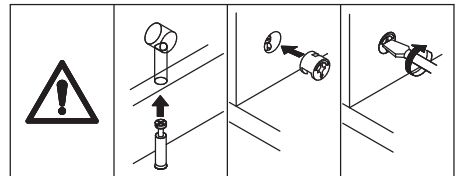
Screw eccentric rod (A) and insert wooden peg (C) to part 12 as shown.



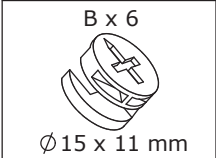
12



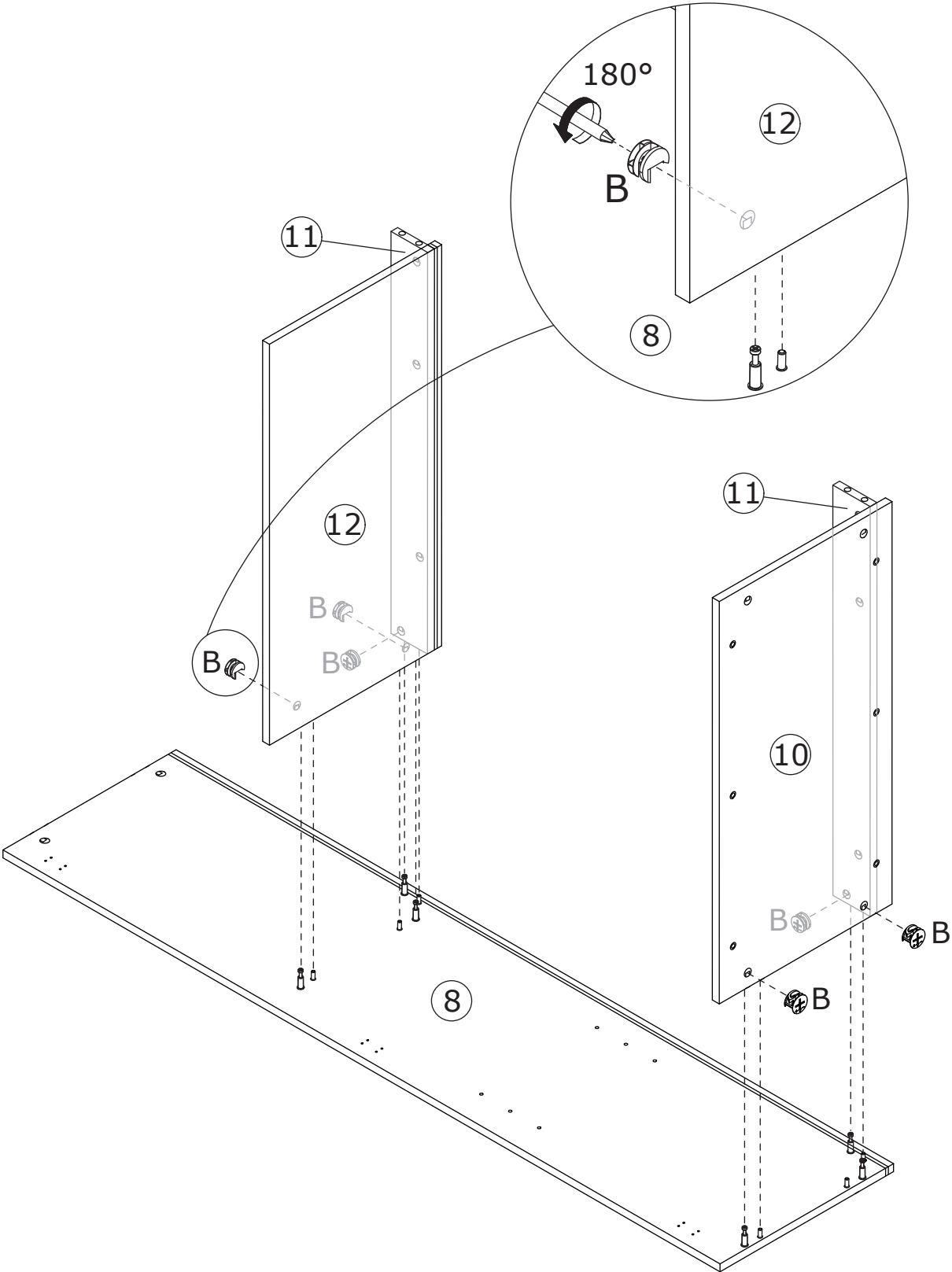
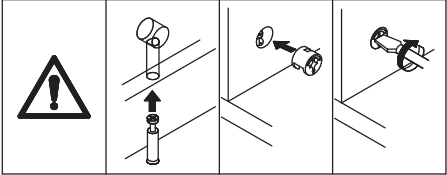
Connect part 11 to part 12, then tighten by turning the cam lock (B) clockwise as shown.



13

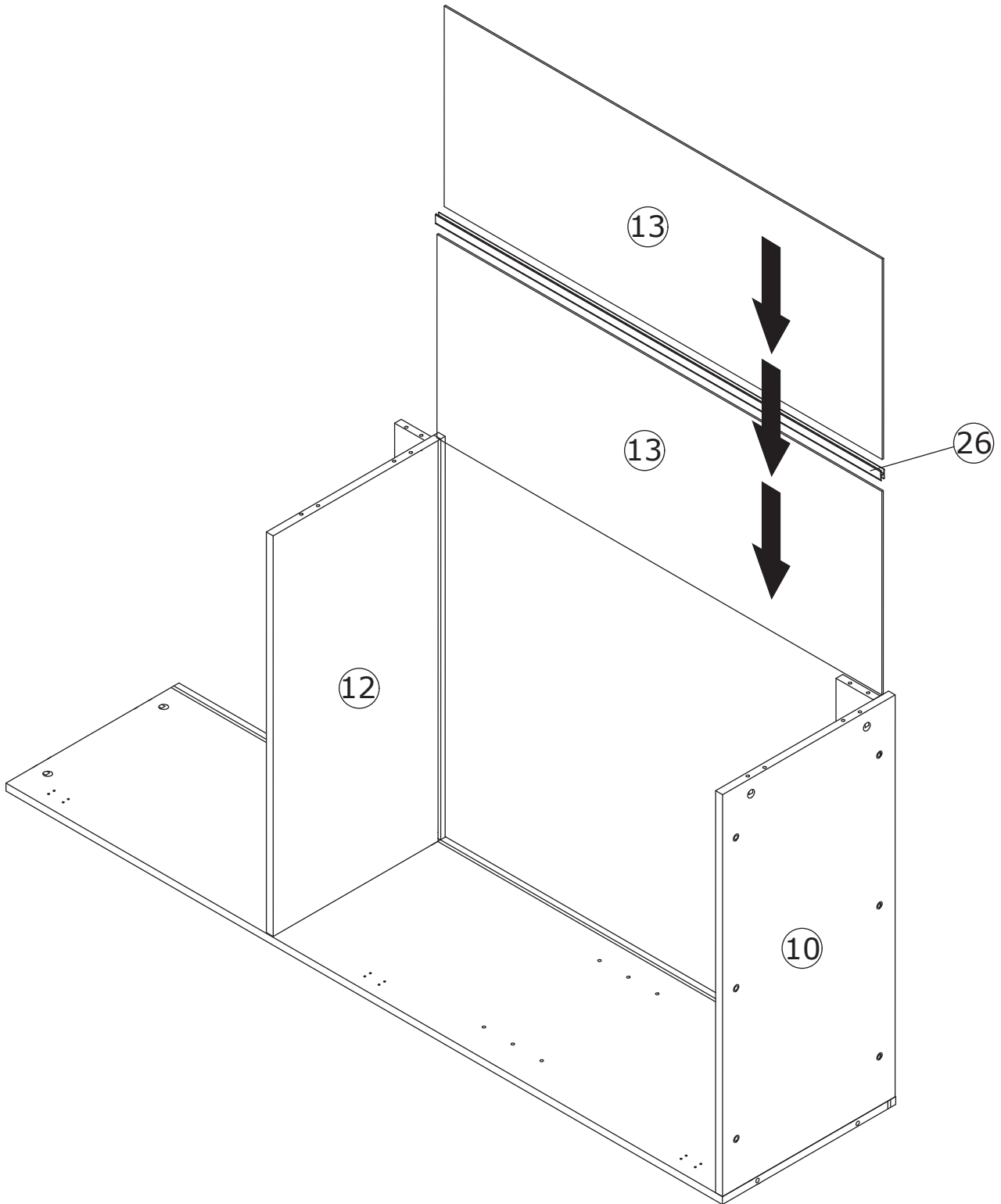


Connect part 12, 11, and 10 to part 8, then tighten by turning the cam lock (B) clockwise as shown.

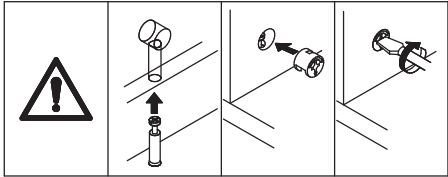
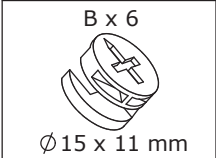


14

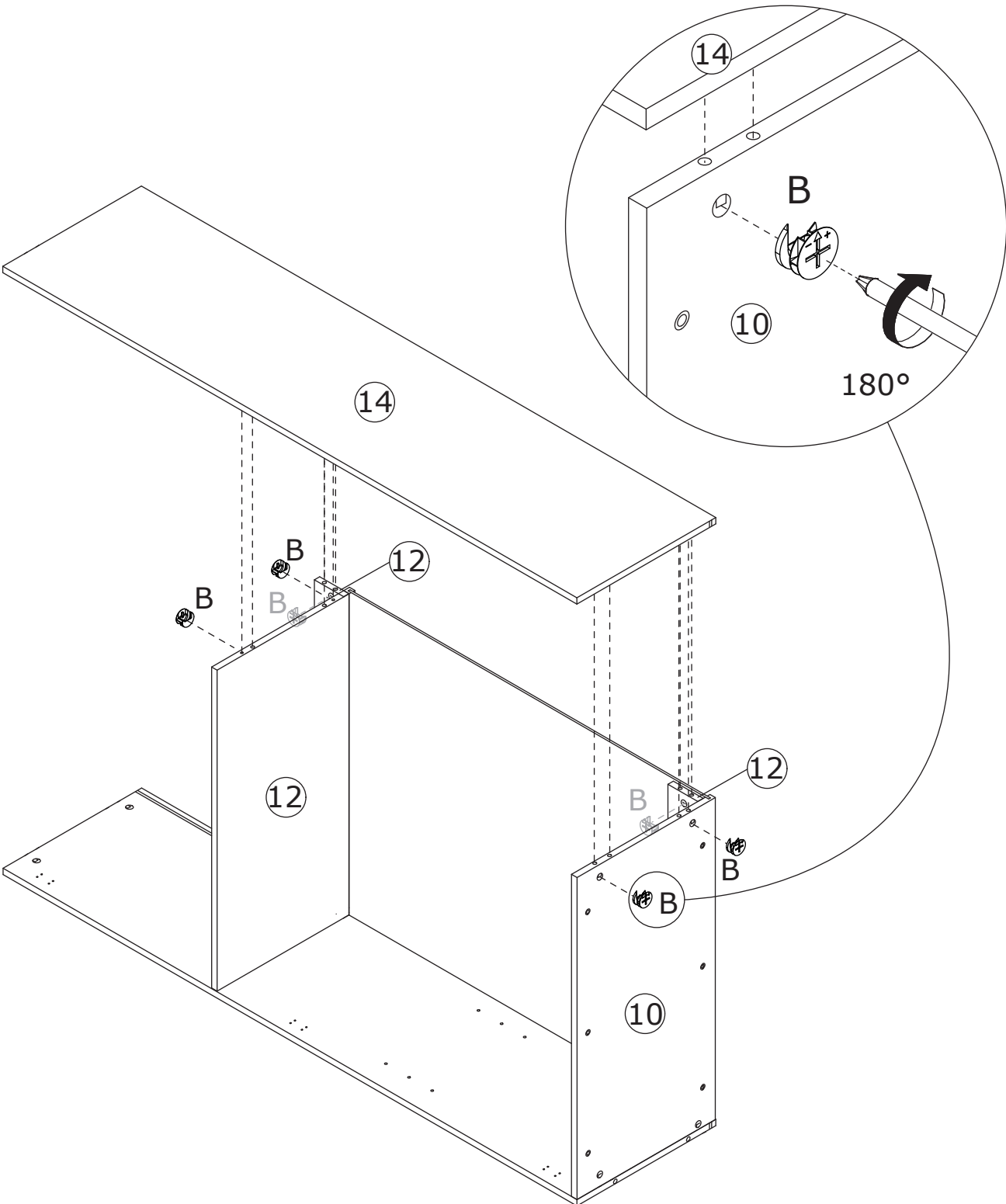
Insert part 13 and 26 along the grooves as shown.



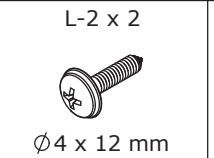
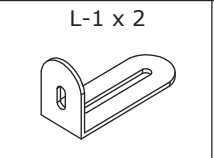
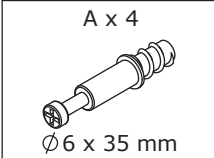
15



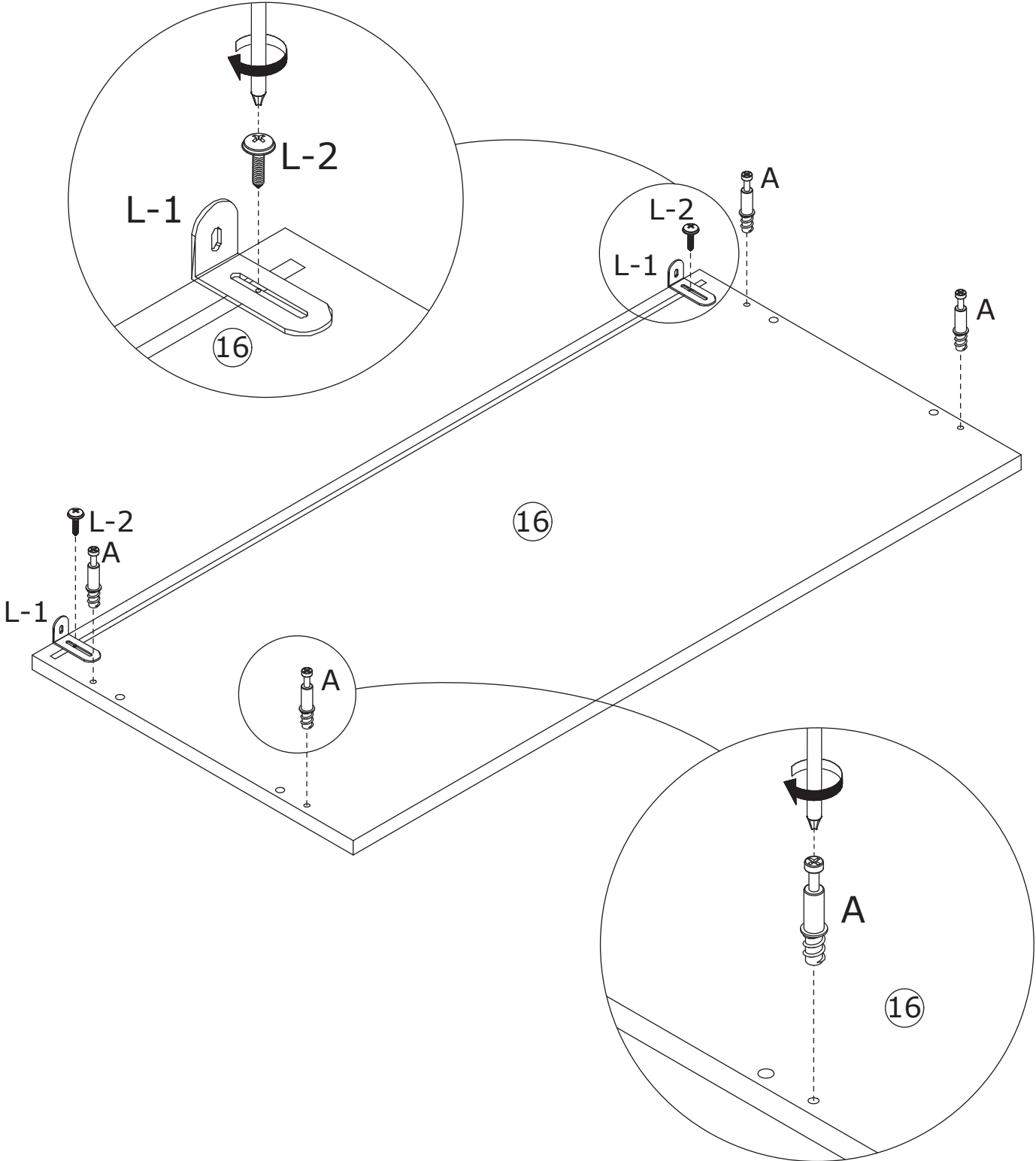
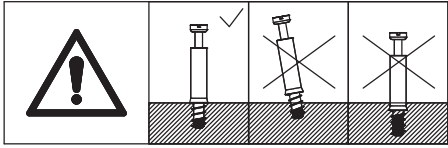
Connect part 14 to part 12, 10 and 11, then tighten by turning the cam lock (B) clockwise as shown.



16

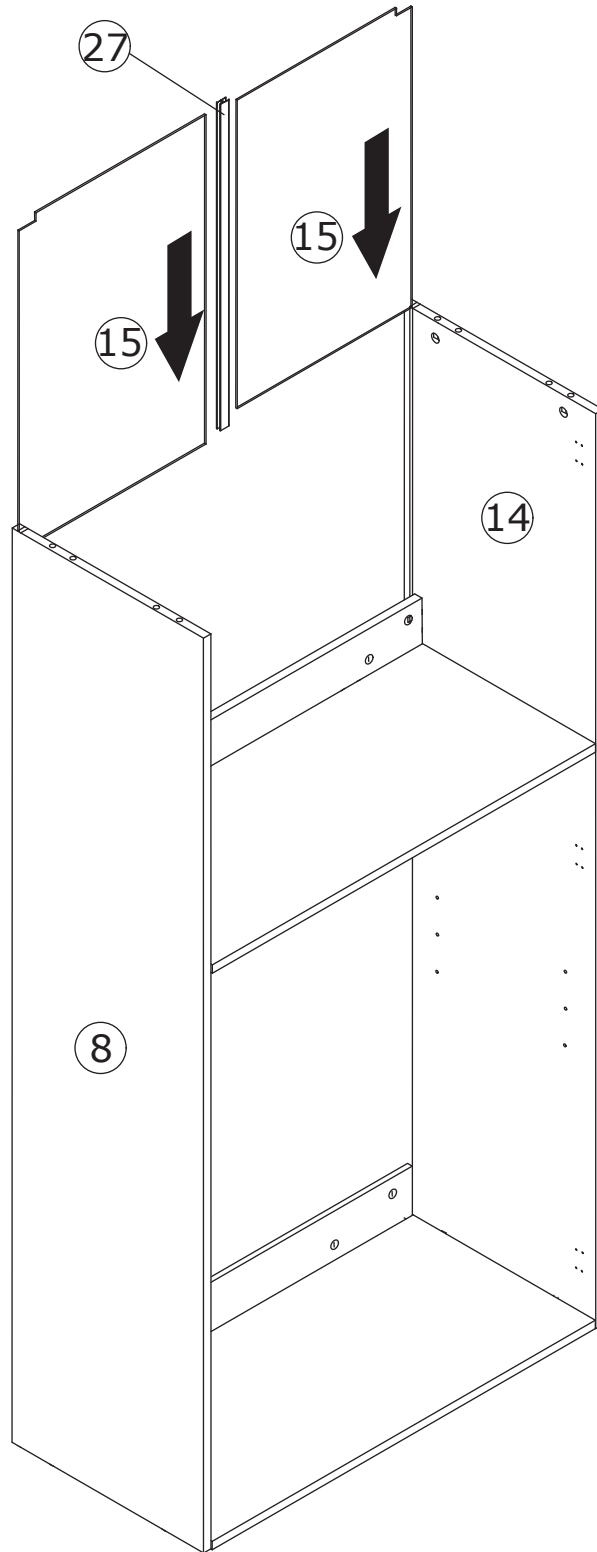


Screw eccentric rod (A) onto part 19.
Secure bracket (L-1) to part 19.



17

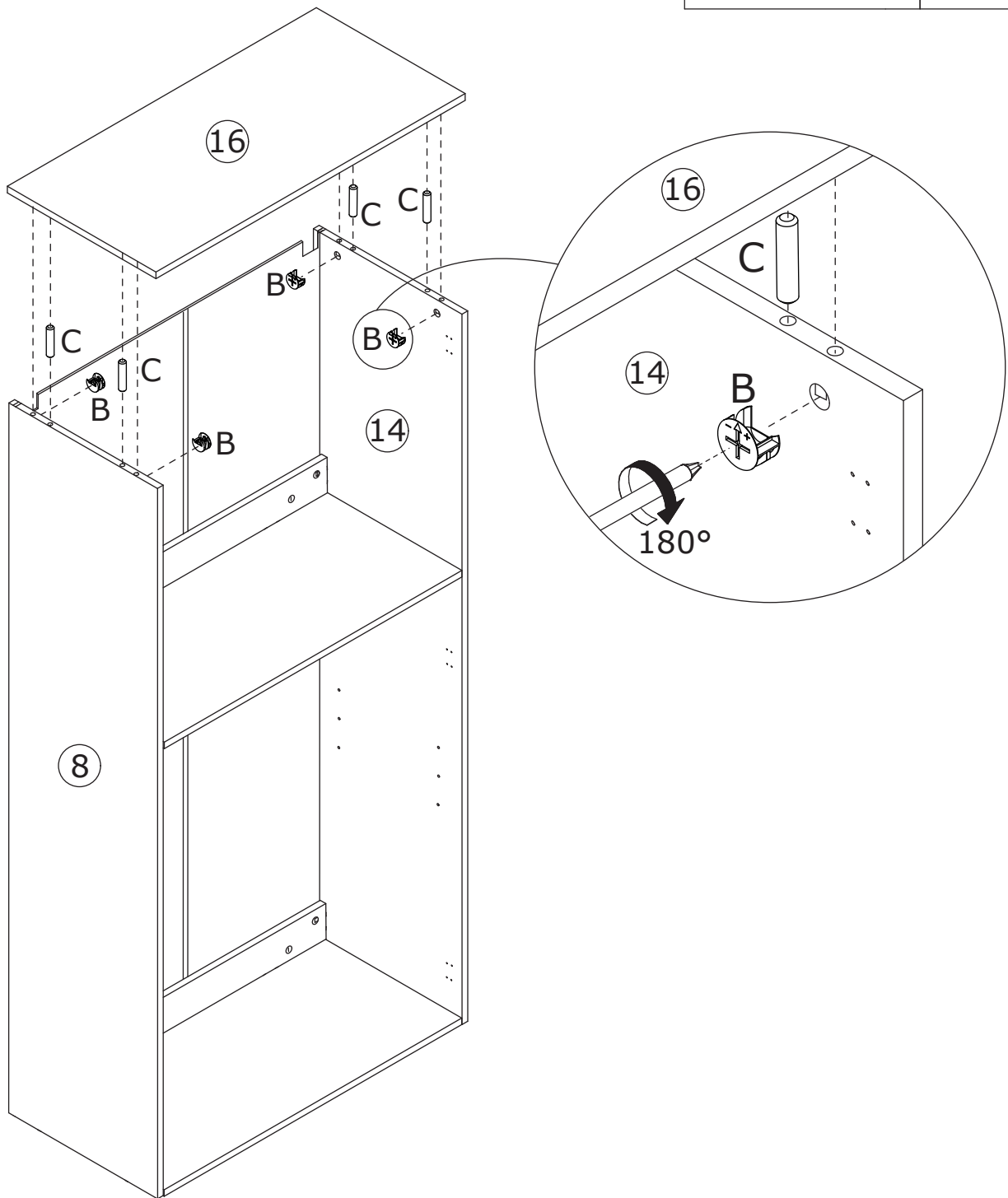
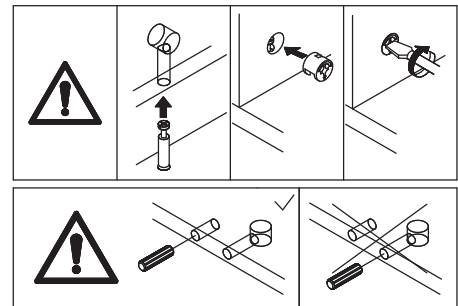
Insert part 15 and 27 along the grooves as shown.



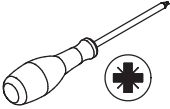
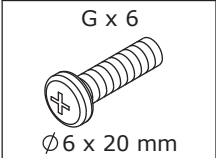
18



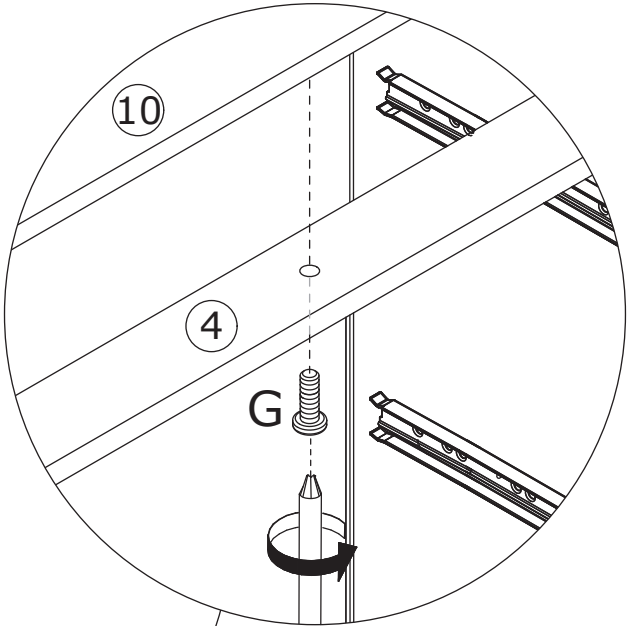
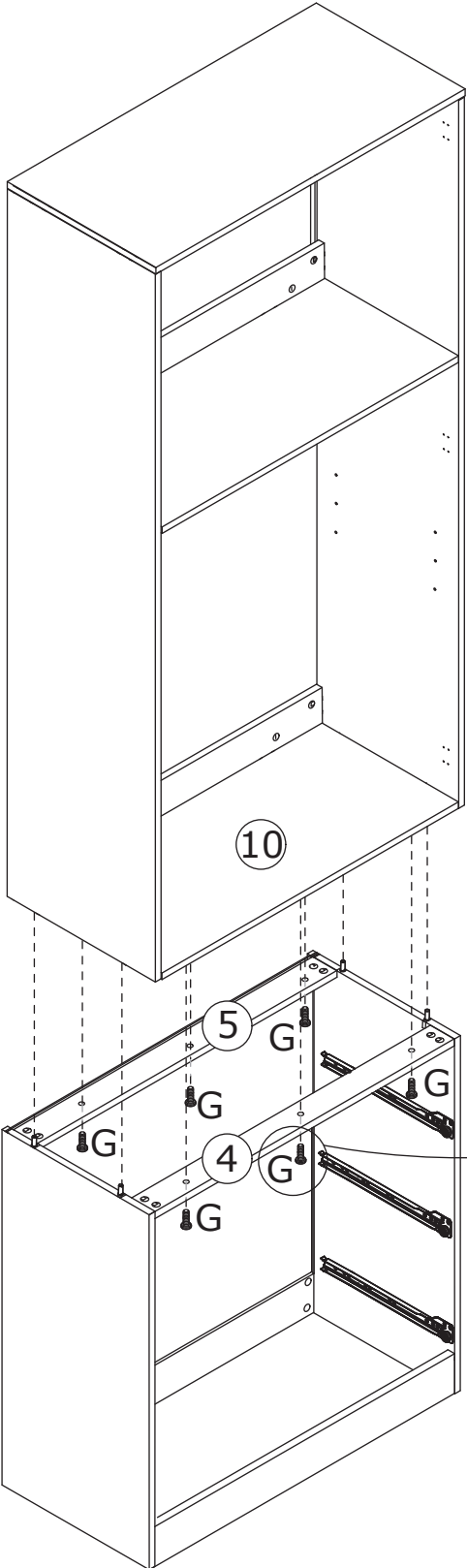
Connect part 16 to part 8 and 14 using wooden peg (C), then tighten by turning the cam lock (B) clockwise as shown.



19



Secure the two components with screw (G) as shown.

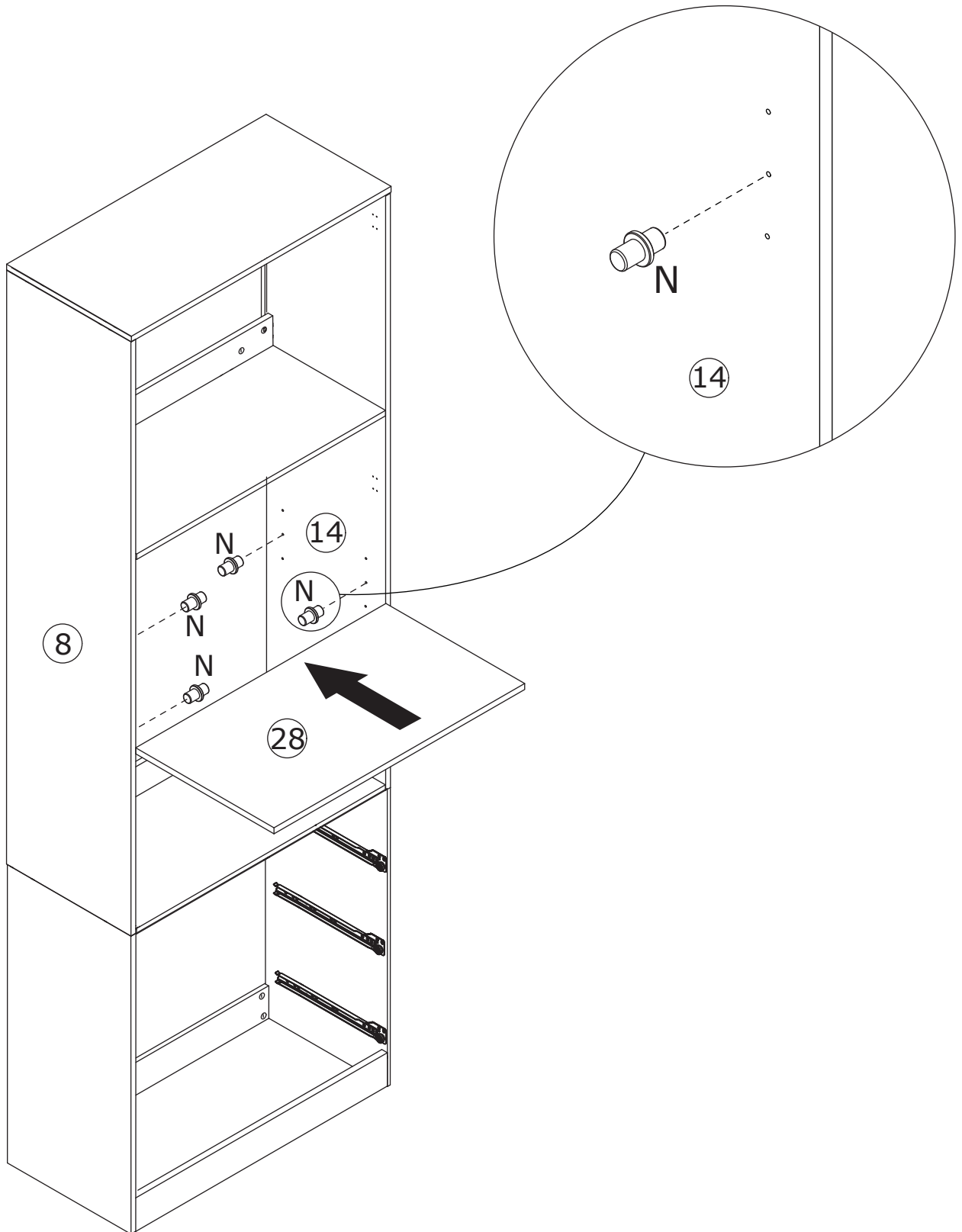


20

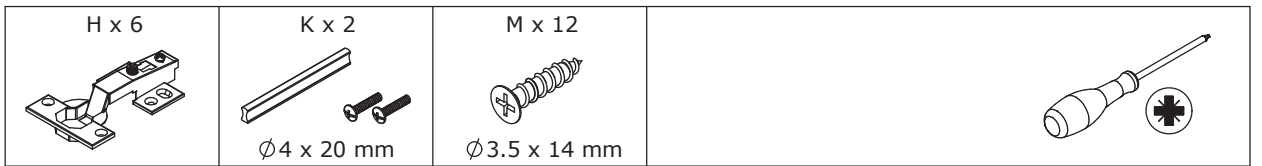
N x 4



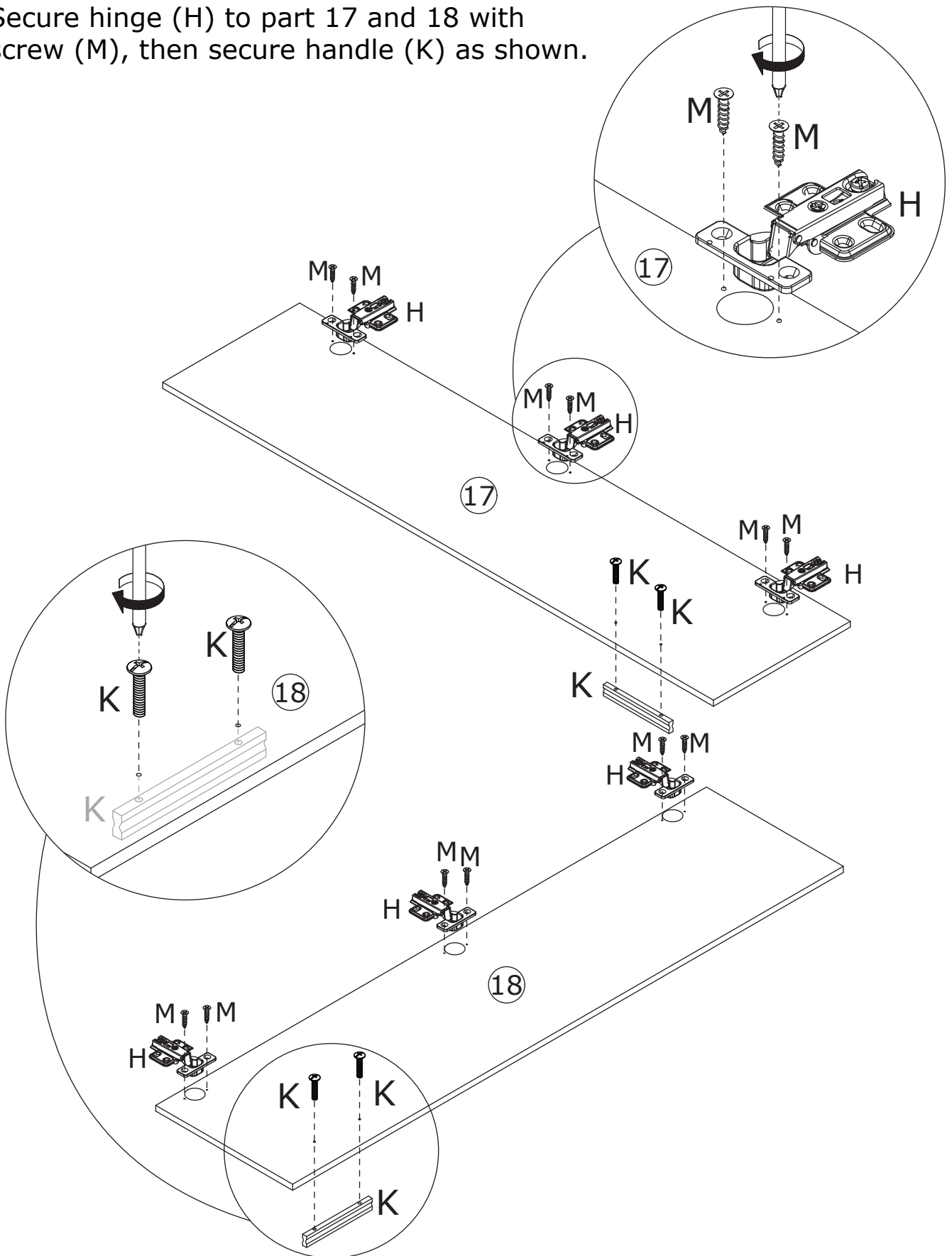
Insert pin (N) into part 8 and 14,
then place part 28 on.



21

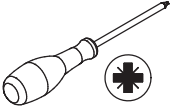


Secure hinge (H) to part 17 and 18 with screw (M), then secure handle (K) as shown.

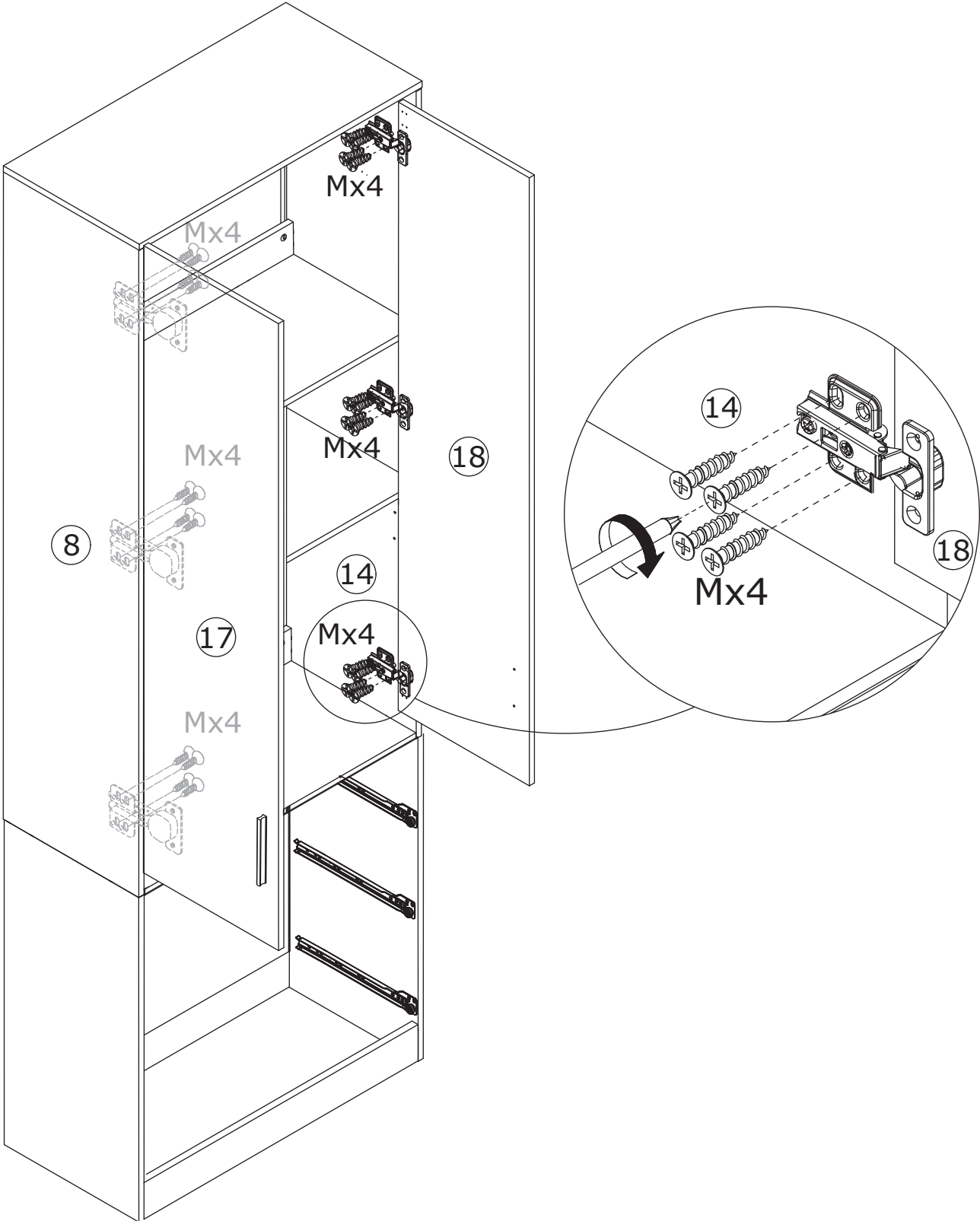


22

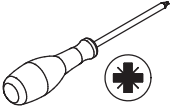
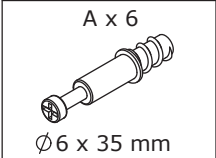
M x 24
Ø3.5 x 14 mm



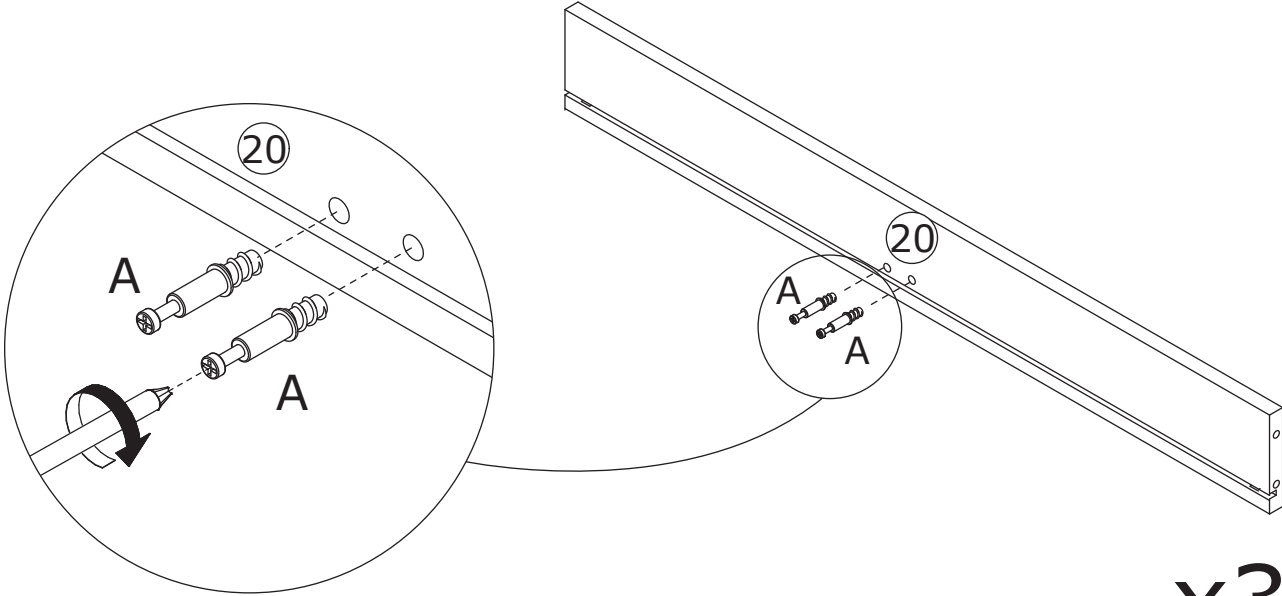
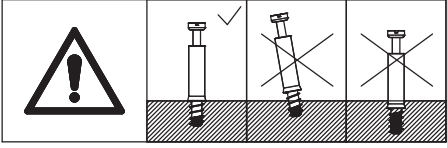
Install part 17 and 18 to the unit by securing hinges with screw (M) as shown.



23

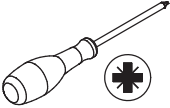
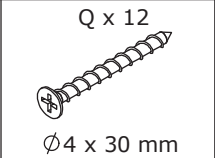
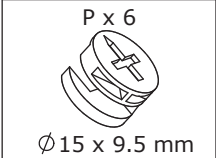


Screw eccentric rod (A) onto part 20 as shown.

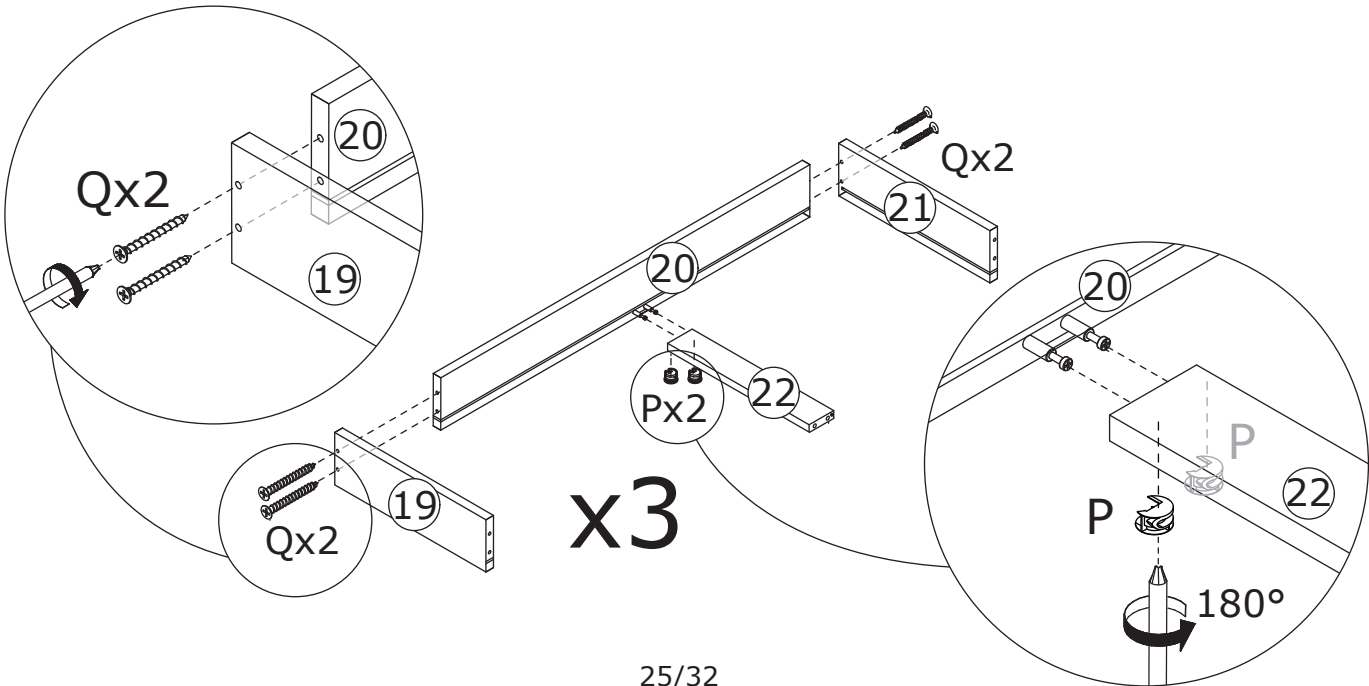
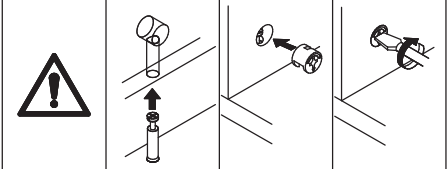


x3

24



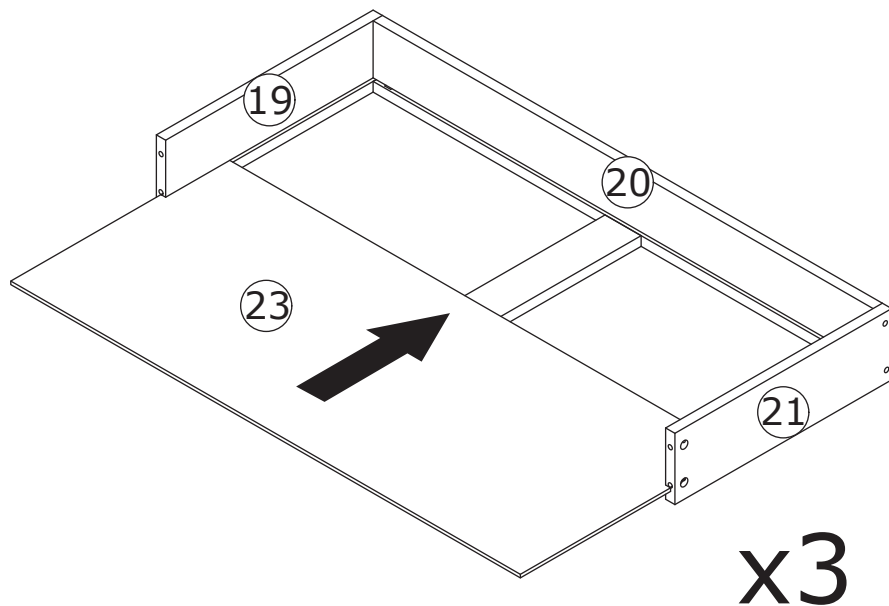
Secure part 19 and 21 to part 20 with screw (Q). Connect part 22 to part 20, then tighten by turning the cam lock (P) clockwise as shown.



x3

25

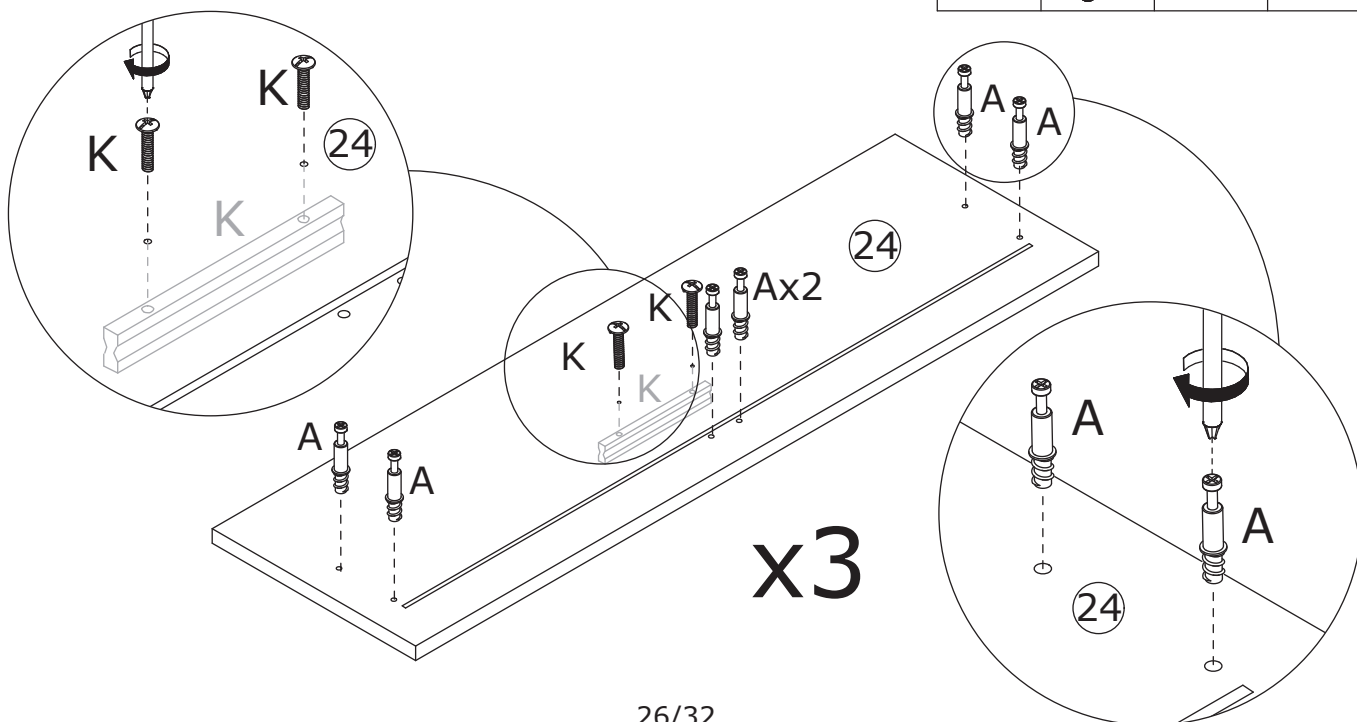
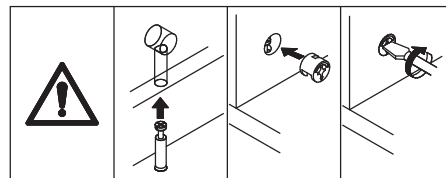
Insert part 23 along the grooves as shown.



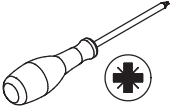
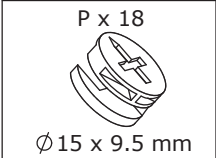
26



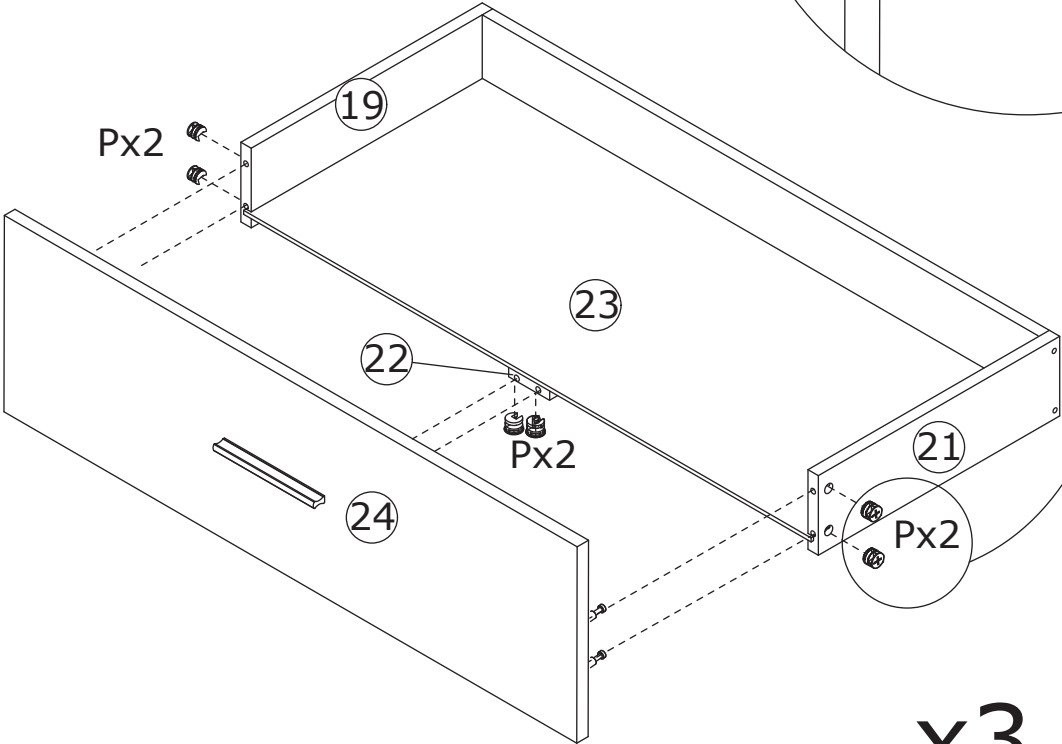
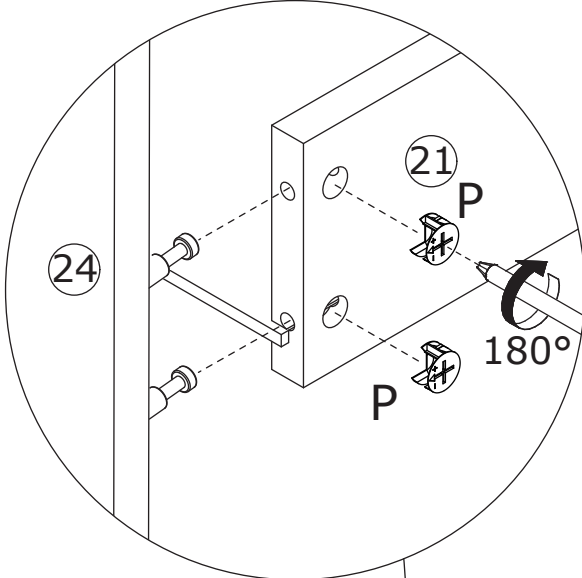
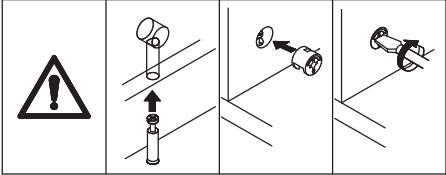
Screw eccentric rod (A) onto part 24, then secure the (K) handle to board No. 24 as shown in the diagram.



27

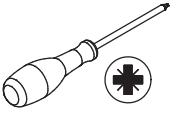
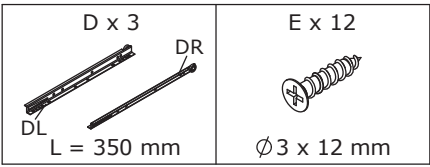


Connect part 24 to part 19, 22 and 21, then tighten by turning the cam lock (P) clockwise as shown.

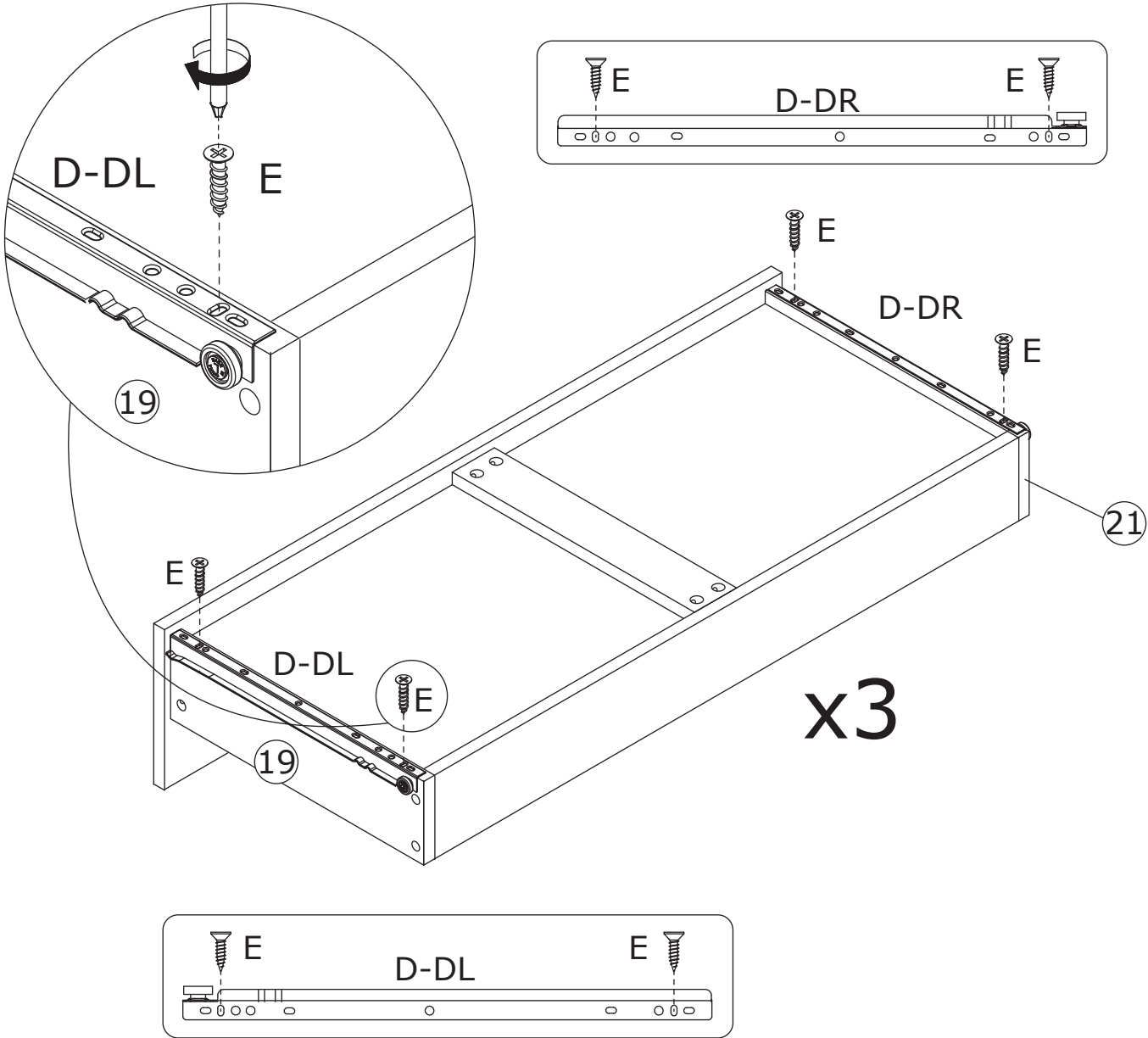


x3

28

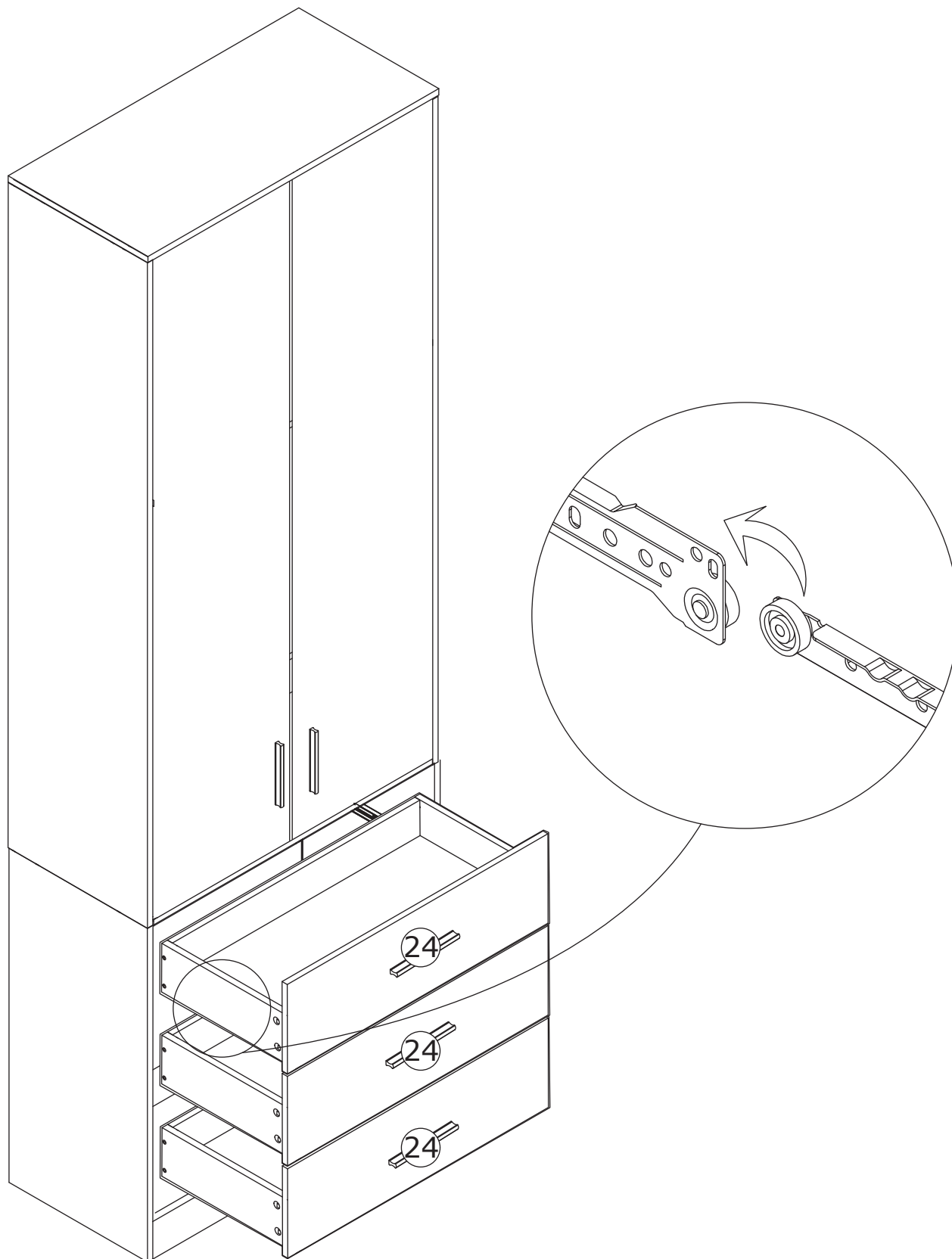


Secure slide rail (D-DR) and (D-DL) to part 21 and 19 with screw (E) as shown.

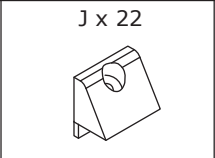
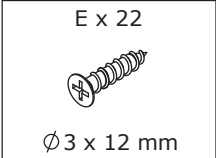


29

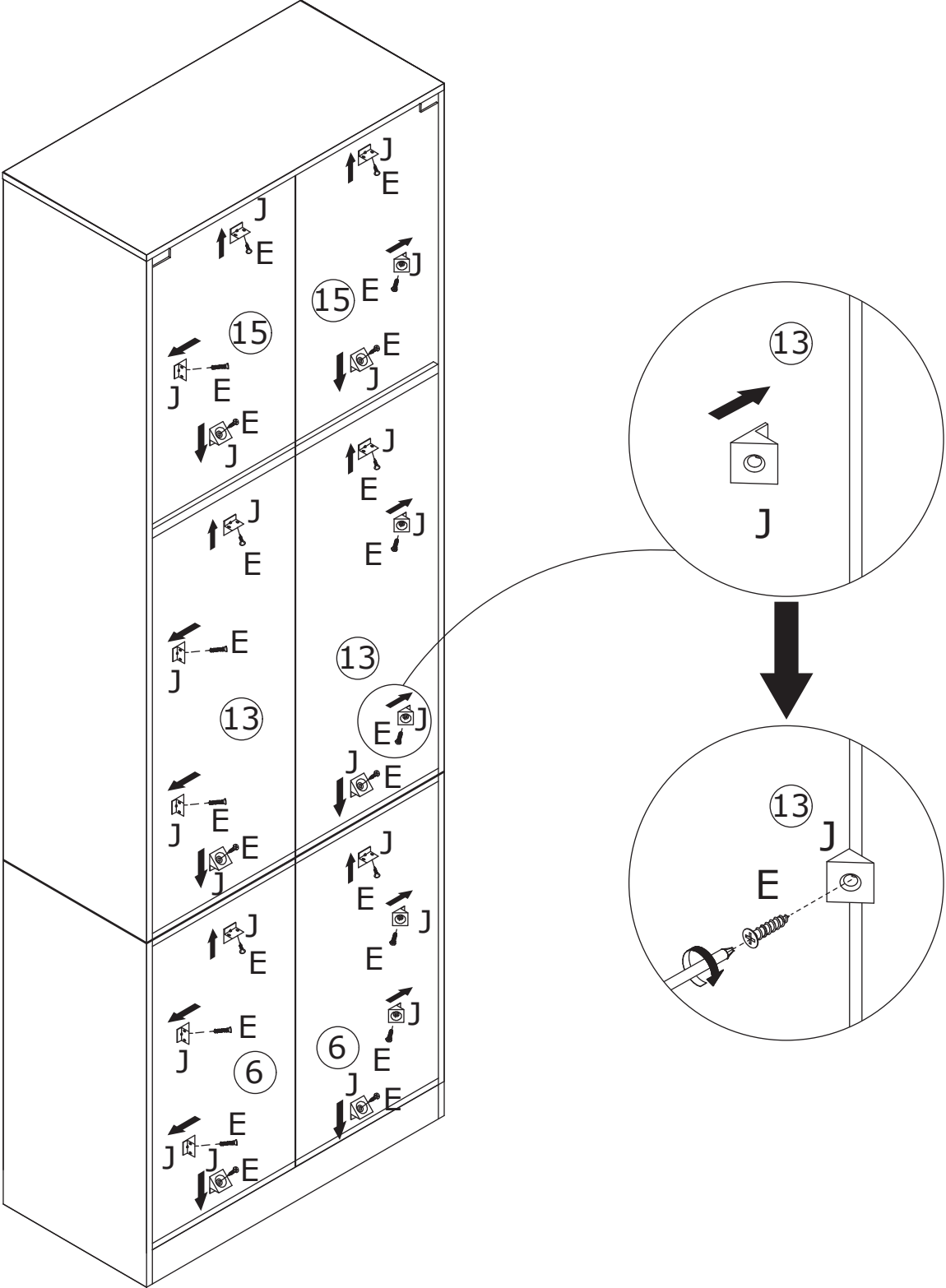
Align the guide rails and insert all drawers.



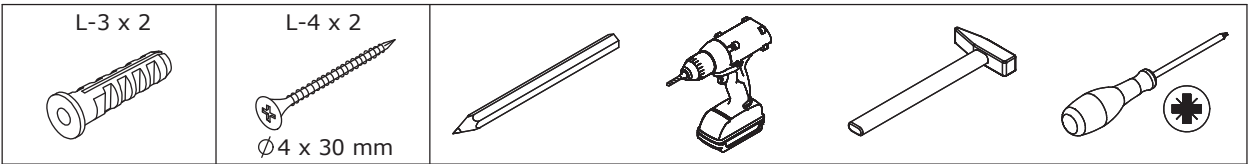
30



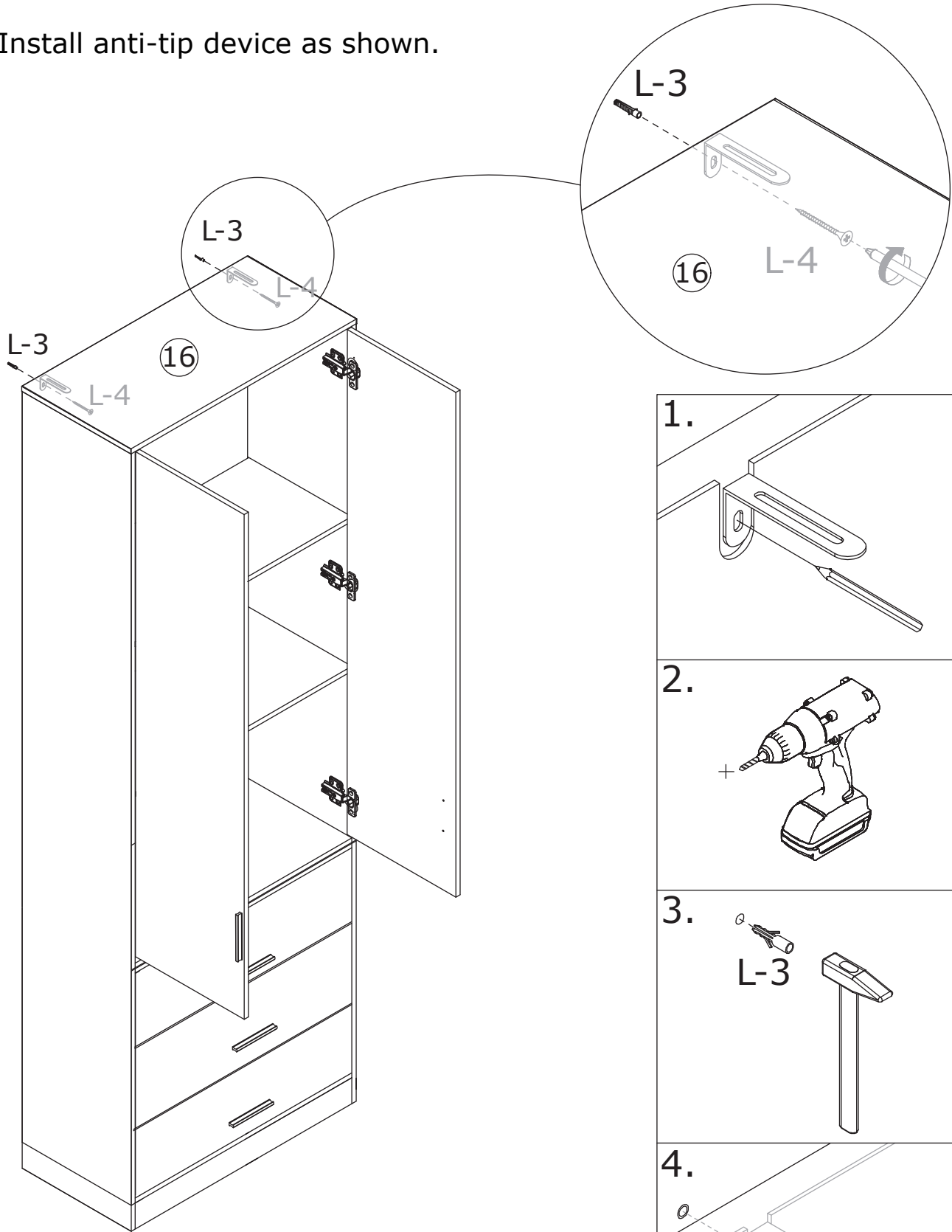
Insert clip (J) into the rear slots and secure with screw (E) as shown.



31

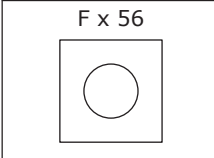


Install anti-tip device as shown.

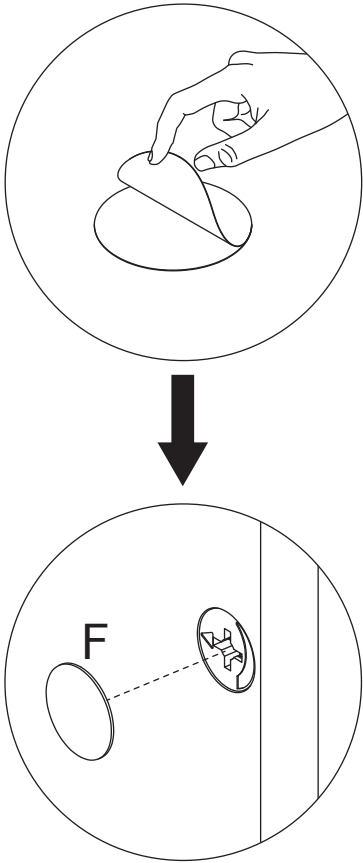
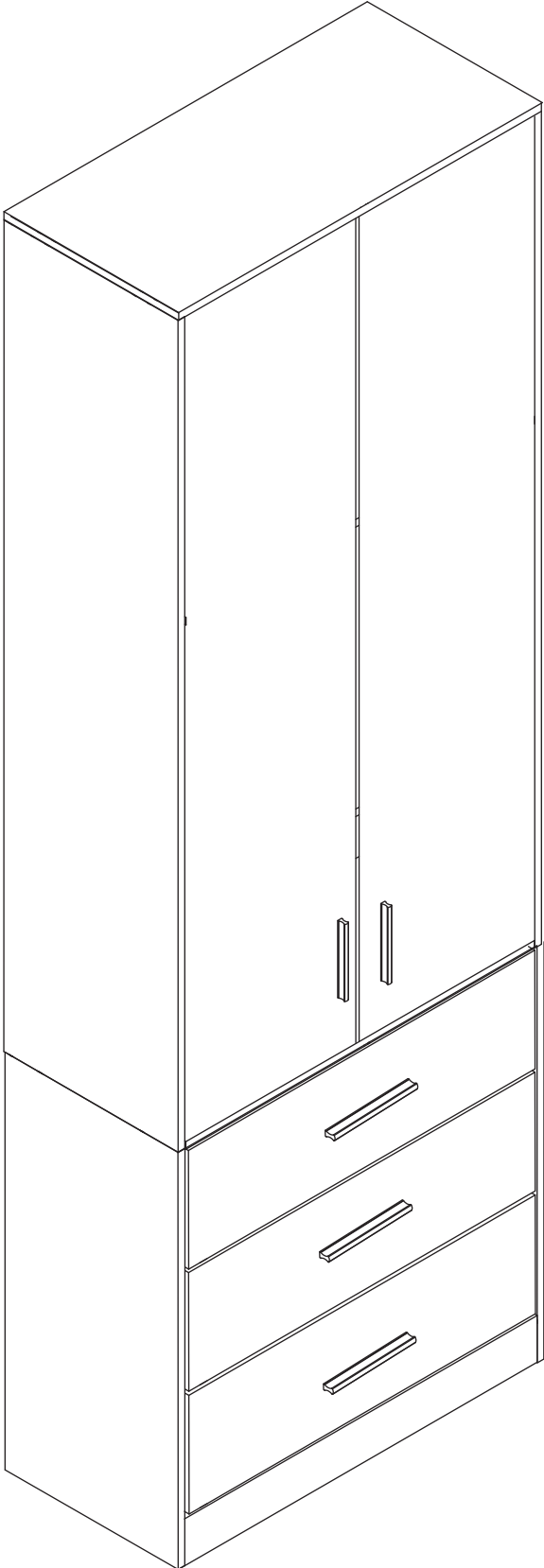


- 1.
- 2.
- 3.
- 4.

32



Cover cam lock holes using sticker (F).



WARRANTY

WARRANTY CLAIMS

- There is a 30-day warranty for broken furniture or any other problems that do not work properly. The warranty will start from the date of purchase which must be verified by proof of purchase.
- Before making a claim, we may be able to answer your query, simply call us. Please leave your purchase order number, along with some details of the problem, if you want a replacement part. We will arrange within 48 hours. If there is out of stock, we will reply with a shipping date.
- The product must be used in accordance with the instructions provided. For health reasons.
- For other reasons, if the furniture needs to be returned, it must be cleaned and dried and operated within 30 days of receipt.

Type of Warranty Claim

- Failure to follow the furniture instructions will invalidate the warranty. Attention please.
- Does not include damage during installation, but includes damage during transportation.

Scope of responsibility

- Shall not bear any responsibility for misuse or user damage and / or loss of parts during the installation of furniture.
- After using, the damage and scratches of the furniture are not covered by the warranty.

The Warranty Relates to All Bought in The Us and Covers The Following Areas

- Sheet parts: 1 month from the date of purchase.
- Electrical parts: 1 month from the date of purchase.

RETURNS

CHANGED YOUR MIND AND NEED TO RETURN YOU ITEM?

PLEASE FOLLOW THE BELOW INSTRUCTIONS:

- If you have purchased and have simply changed your mind, follow the retailer's instructions for returns.

DEFECTIVE ITEMS

- If your item is defective in any way, i.e. it doesn't work but you can't identify why, in the first instance, please call us.

DAMAGED ITEMS

- If you receive an order with obvious shipping damage from the retailer, then we suggest the delivery is refused. If the delivery has been accepted and then shipping damage is found, please follow the specific instructions advised by the retailer.
In all circumstances please save all packaging material and paperwork for the order. Please be aware that if you dispose of packaging material or attempt to return the merchandise without contacting the fulfiller, you jeopardise your chances of making a claim, and you may not receive a credit for the return.