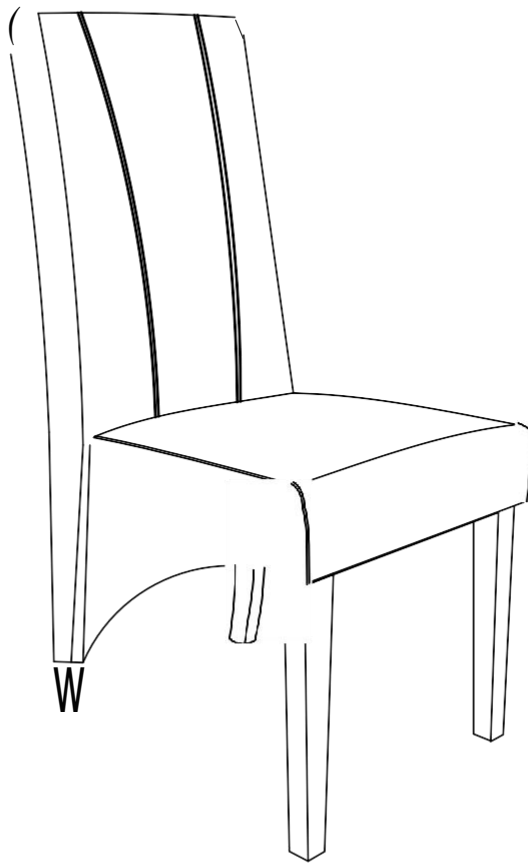





ASSEMBLY INSTRUCTION



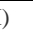
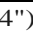
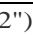
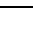
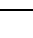
Furniture America™

ItemNo:WI3666BK/GY/RD/WH/SC/CM3200SC



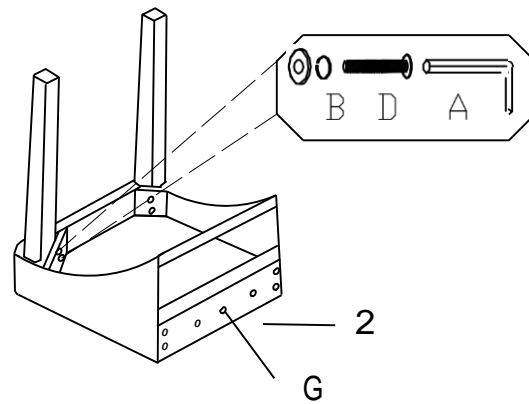
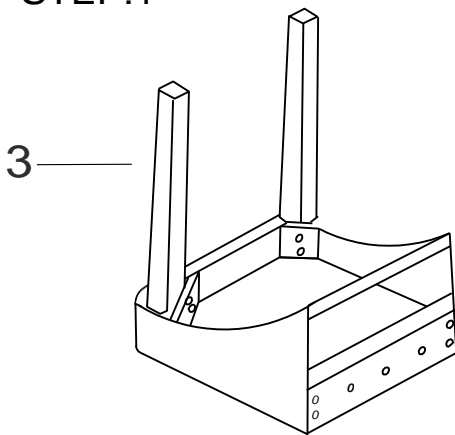
Do not tighten screws until completely assembled.

PARTS IDENTIFICATION			
1		Back	1
2		Seat Fram	1
3		Front Legs	2

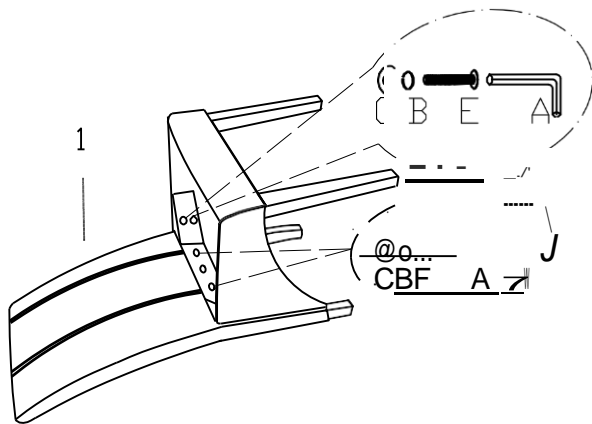
HARDWARE LIST			
A		Allen Wrench	1
B		(5/16")	10
C		(5/16"x22MM)	10
D		(5/16"x2-1/4")	4
E		(5/16"x3-1/2")	4
F		(5/16"x2")	2
G		(10*35MM)	

STEP:2

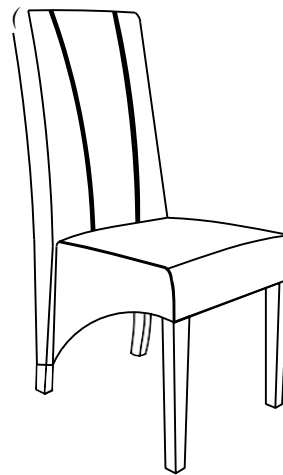
STEP:1



STEP:3



STEP:4



Do not tighten screws until completely assembled.