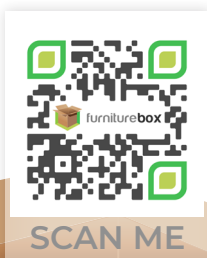


WHITBY

ASSEMBLY GUIDE



www.furniturebox.co.uk

Scan QR code for more tips,
advice and assembly video or visit
furniturebox.co.uk/club/whitby



Important - Please read these instructions fully before starting assembly



**SAFETY AND
CARE ADVICE**



NO POWER TOOLS

SAFETY AND CARE ADVICE

- Check you have all the components and tools listed.
- Remove all fittings from the plastic bags and separate them into their groups.
- We do not recommend the use of power drills/drivers for inserting screws, as this could damage the unit. Only use hand screwdrivers and Allen keys.
- Keep children and animals away from the work area, small parts could cause choking if swallowed.
- Make sure you have enough space to layout the parts before starting.
- Assemble the item as close to its final position (in the same room) as possible.
- Do not overtighten the nuts to avoid causing damage to the threads.
- Only clean using a damp cloth and mild detergent, do not use bleach or abrasive cleaners.
- From time to time check that there are no loose screws on this unit
- This product should not be discarded with household waste. Take to your local authority waste disposal centre



IMPORTANT INFORMATION



30 MINUTE
BUILD



ONE
PERSON



MAXIMUM
CAPACITY
120Kg

PLEASE CHECK CAREFULLY AND MAKE SURE YOU HAVE ALL FITTINGS AND TOOLS LISTED BELOW BEFORE YOU START.

LIST OF PARTS

No	Description	Qty
1	Chair Back	2
2	Front Legs	2
3	Apron	4
4	Seat	2

HARDWARE LIST

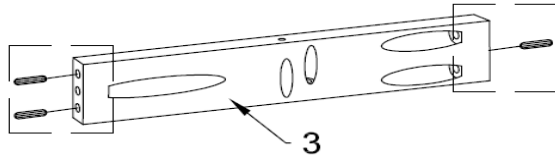
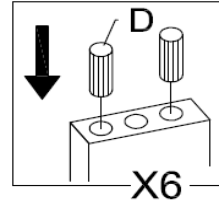
No	Description	Qty
A	JCBC 	12
B	Spring Washer 	12
C	Wood Screw 	6
D	Wood Dowel 	12
E	Allen Key 	1

NOTE: The quantities above are the correct amount to complete the assembly. In some cases more fittings may be supplied than are required.

STEP 1

Use a clean, flat, soft surface to avoid any bumps or scratches.

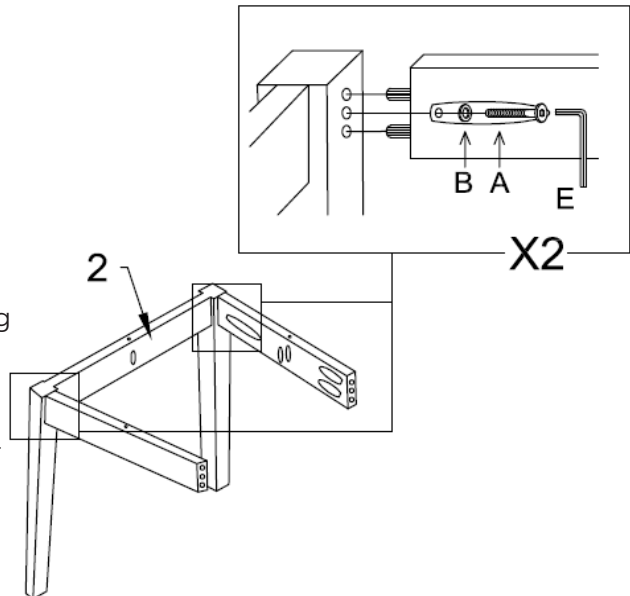
First add the x12 wooden dowels [D] into the seat x4 chair 'aprons' [3]. 2 dowels in one end of each apron and 1 dowel in the other.



STEP 2

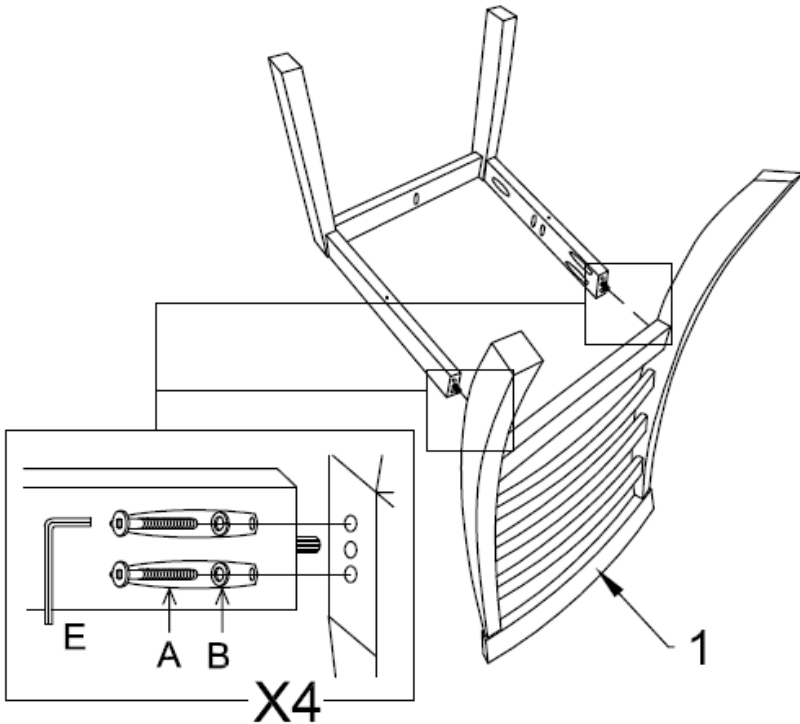
Connect 2x front legs [2] to 2x seat 'aprons' [3]. Align the pre-drilled holes and slot the wood dowels into position.

Secure each front chair leg with 1x spring washer [B] followed by 1 x bolt [A]. Tighten with Allen key [E]. Be careful not to over-tighten the bolts.



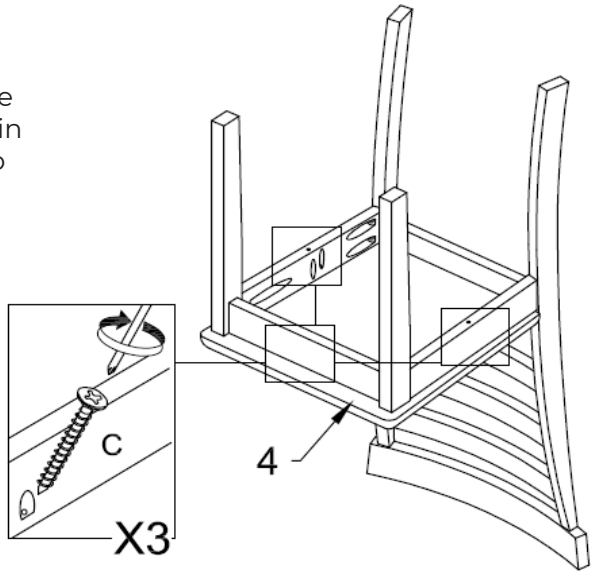
STEP 3

Attach the chair back [1]. Align the pre-drilled holes and slot the wooden dowels into place. Secure with 2x spring washers [B] followed by 2x bolts [A] on each side - 4 into total. Tighten with Allen key [E] but be careful not to over-tighten.



STEP 4

Secure and stabilise the chair legs by screwing in 3x wood screws [C] into the pre-drilled holes.



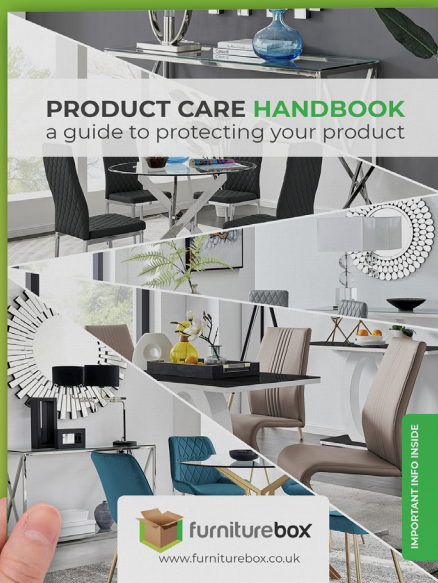
STEP 5

Turn chair over so it rests on its legs. Check stability. Your chair is now ready to use!



LOOKING GOOD!

Now you've assembled your product find out how to care for your item and keep it looking brand new.



Look for your care guide in the box or visit:
www.furniturebox.co.uk/club/care-guide



OUR 2 YEAR* GUARANTEE

our products come with a 2 year guarantee to give you peace of mind shopping at Furniturebox

*excludes some garden furniture items which have a 1 year guarantee



WHAT THE GUARANTEE COVERS



PRE-INSERTED FIXINGS
e.g. lose metal threads



FAULTY JOINTS
e.g. legs bending



EXTERNAL FIXING FAULTS
e.g. bonding/glue



STRUCTURAL INTEGRITY
e.g. the frame of the product



ACTIVATE YOUR GUARANTEE ONLINE

scan this QR code with your phone to read the full guarantee online and register your product. It only takes a moment to fill out. Or visit: [furniturebox.co.uk/our-guarantee](https://www.furniturebox.co.uk/our-guarantee)

Furniturebox UK, Unit 6, St Modwen's Park,
Chippenham, SN15 5BD
Tel: 01747 863333 Email: sales@furniturebox.co.uk