

BLANCO ETAGON 500-U

Item No. BL468130

Pros



Taking functionality to another level

- Generous staggered bowl with the functionality of a sink centre
- Integrated step creates an additional functions level
- Innovative system concept with versatile ETAGON rails
- High-quality features with the covered C-overflow™ and InFino™ drain system – elegantly integrated and extremely hygienic
- For undermount installation, ideal in combination with high-quality worktops

Colours



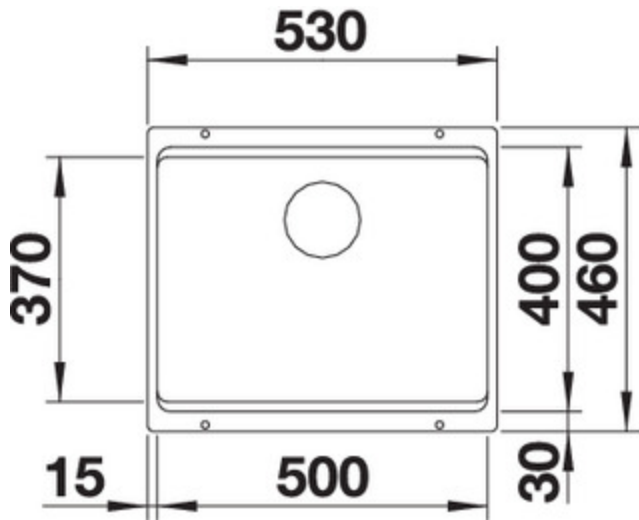
SILGRANIT® PuraDur®

Item No. BL468130

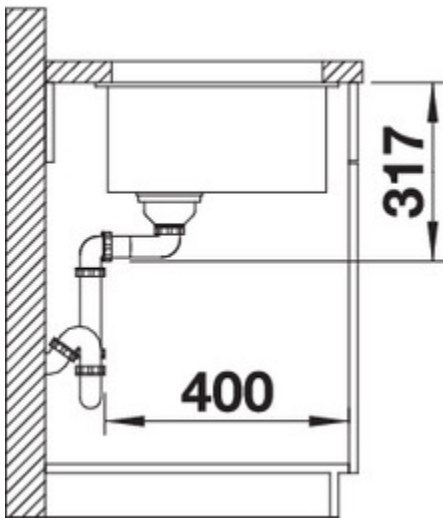
Available colours

	white		tartufo		rock grey
	pearl grey		nutmeg		jasmine
	coffee		champagne		<u>anthracite</u>
	alu metallic				

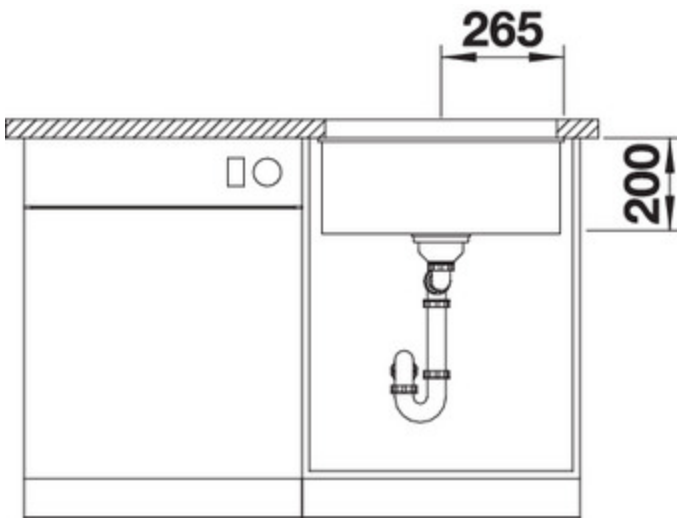
Details



Top View



Side View



Front View

Scope of supply

two ETAGON rails in stainless steel, waste fitting with space-saving pipe, 3 1/2" InFino™ basket strainer

Design tips

Cabinet Width: 60 cm

Bowl depth: 200 mm

Taps



BLANCO PANERA-S
brushed steel
BM3142SS



BLANCO LINEE-S
anthracite / chrome
BM2200AN

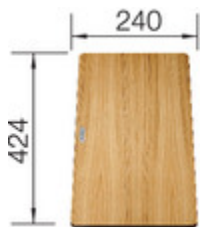


BLANCO CULINA-S
chrome
BM4800CH

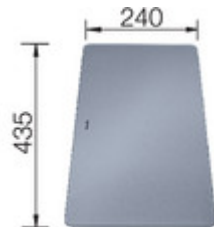


BLANCO SELECT 60/3 Orga
BL467734

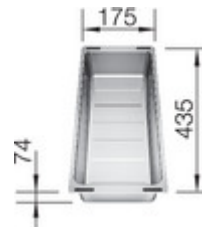
Optional Accessories



Chopping board
BL230700



Cutting board
BL227697



Colander
BL227689

BLANCO UK Limited

Tel: 01923 635200

Fax: 0800 0911608

➤ www.blanco.co.uk