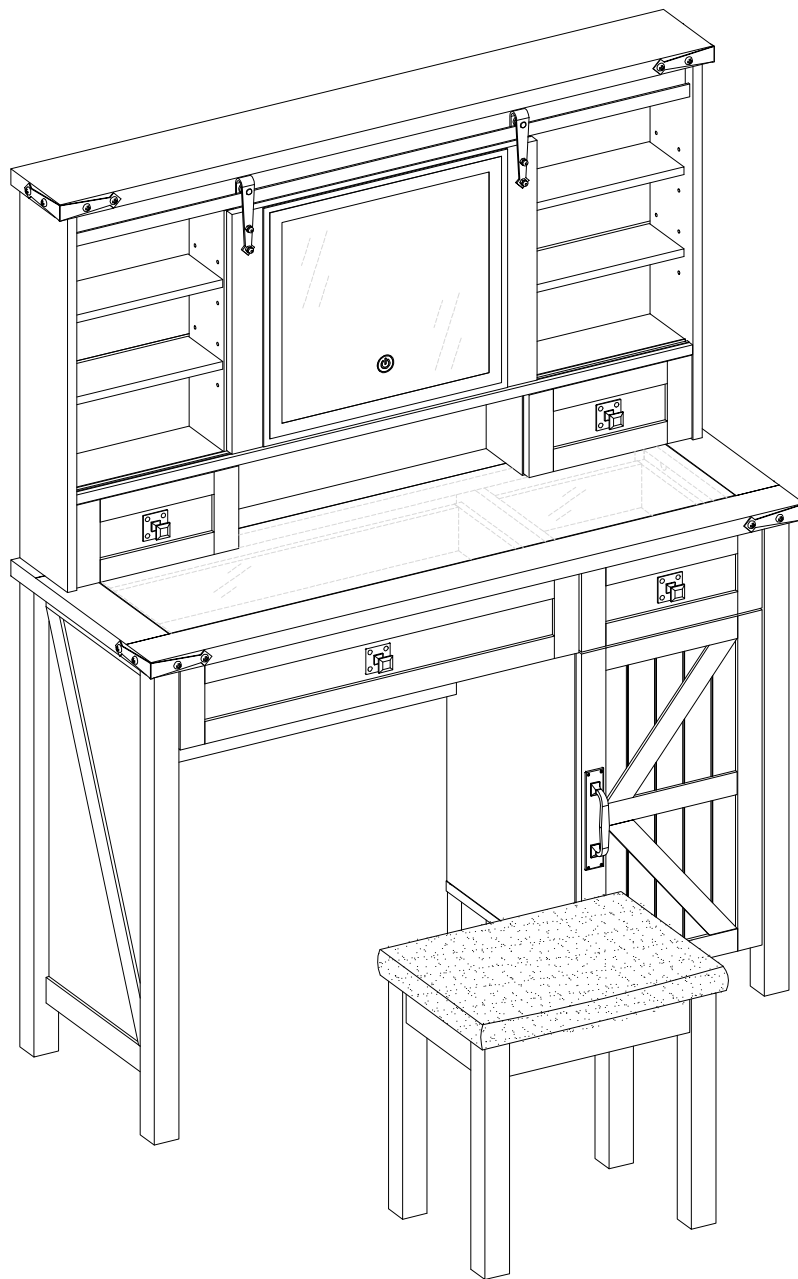
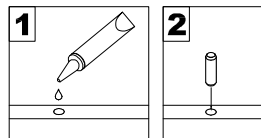


Assembly Instructions

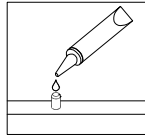


General Assembly Guidelines

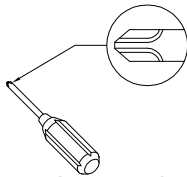
- I. Ensure that all parts and hardware are available before beginning assembly.
- II. Follow each step carefully to ensure the proper assembly of this product.
- III. Two people are recommended for ease in the assembly of this product.
- IV. The three main types of hardware used to assemble this product are: wood dowels, screws and bolts.
- V. The provided glue is to secure wood dowels in place. When first inserting dowels, locate the appropriate hole for the dowel, place a small amount of glue in the hole and insert the dowel. Wipe away excess glue immediately.



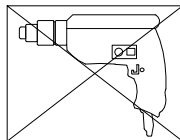
In future assembly steps when dowels are necessary to attach assembly parts together, place a small amount of glue on the end of the dowel before attaching parts together. Wipe away excess glue immediately.



- VI. A Phillips head screwdriver is required for the assembly of this product.

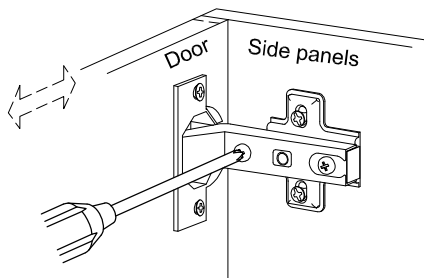


- VII. Power tools should not be used to assemble this product.

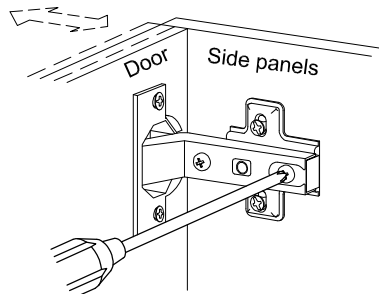


- VIII. Drill may be needed for securing product to wall.

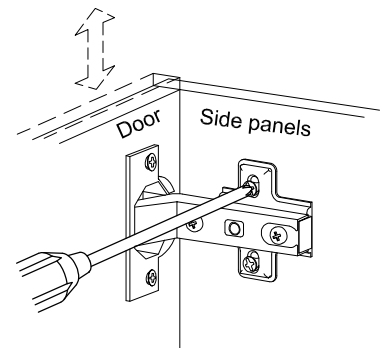
- IX. Concealed hinges are three-way adjustable.



Horizontal
by screw adjustment



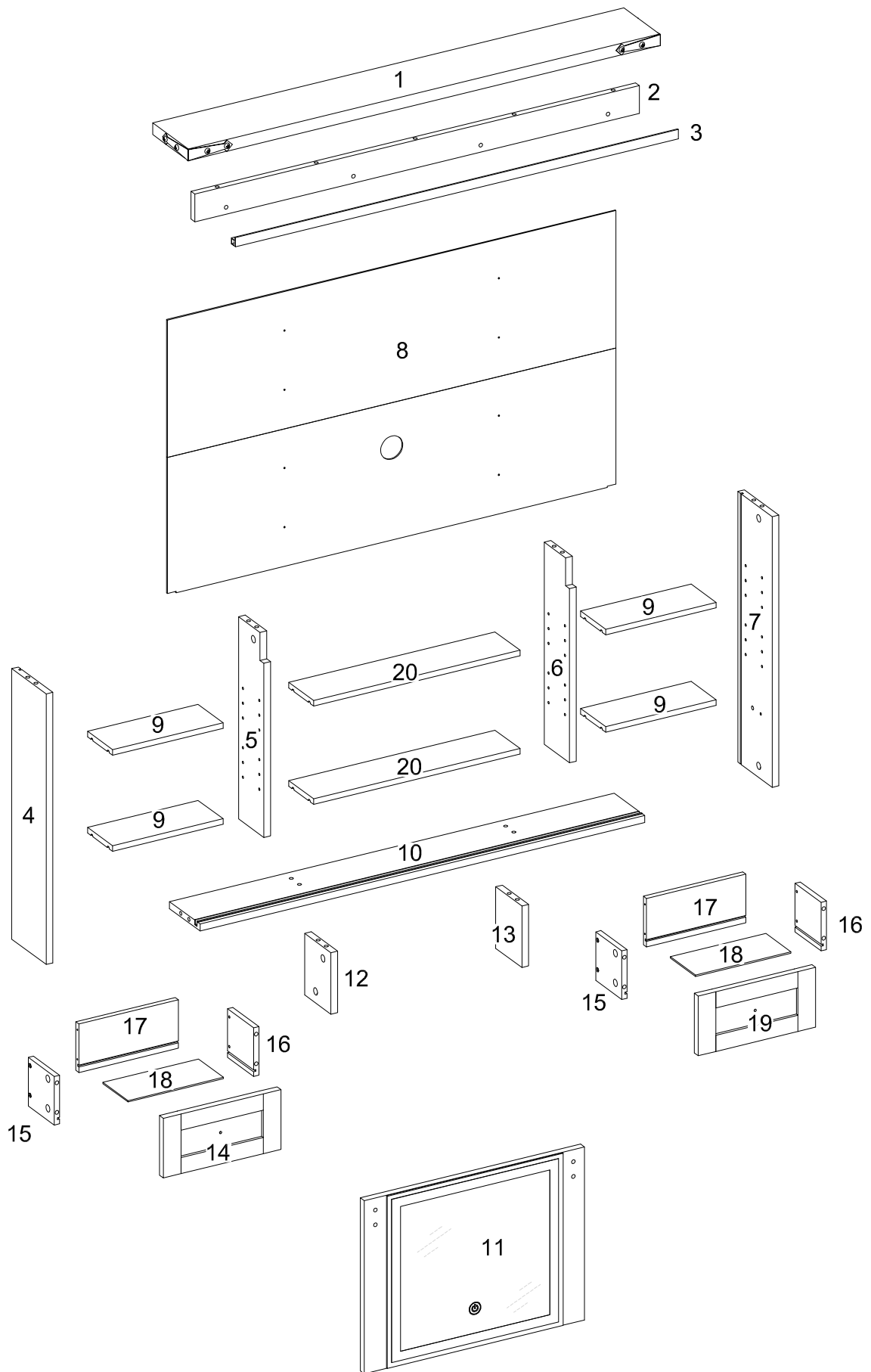
In-and-Out
by loosening the hinge-arm
mounting screw or via cam
adjustment



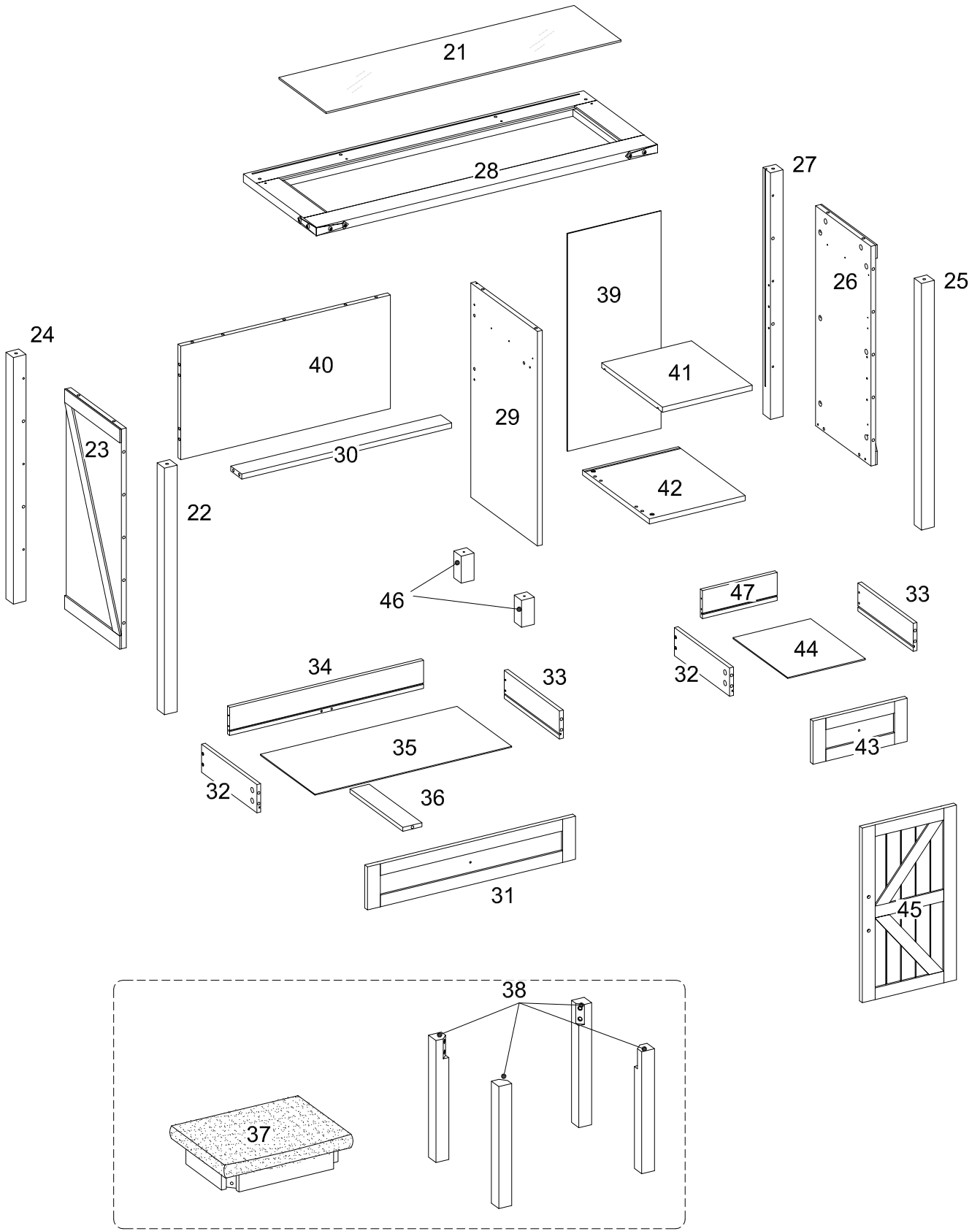
Vertical
Via slots in the mounting
plate or via cam adjustment

(EN)








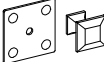
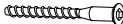





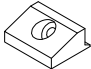


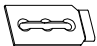


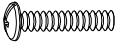
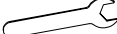
Parts List(Huntch)





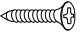


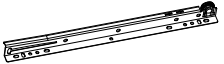
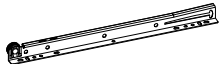



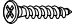

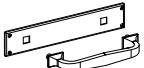
Parts List(Base & Bench)

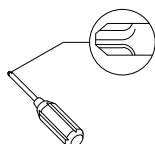


Hardware List

A		Ø8x30mm	Wooden dowel	40 pcs
B		Ø6x35mm	Cam bolt	59 pcs
C		Ø15x11mm	Cam lock	42 pcs
D		Ø30mm	Sticker	42 pcs
E			Shelf support pin	28 pcs
F			Glue tube	1 pcs
G		Ø4x12mm	Handle bolt	2 pcs
H			Handle	4 pcs
J		Ø6x50mm	Screw	6 pcs
K		Ø6x50mm	Bolt	8 pcs
L		Ø15x9mm	Small Cam lock	17 pcs
M		Ø30mm	Drawer sticker	17 pcs
N		Ø4x12mm	Screw	12 pcs
O		M 4	Hex key	1 pcs
P			Plastic wedge	14 pcs
Q		Ø3x17mm	Flat-head screw	14 pcs
R		Ø4x38mm	Screw	18 pcs
S			Plate	2 pcs
T			Pulley	2 pcs
U			Nut	4 pcs
V		Ø6x25mm	Bolt	8 pcs
W			Wrench	1 pc

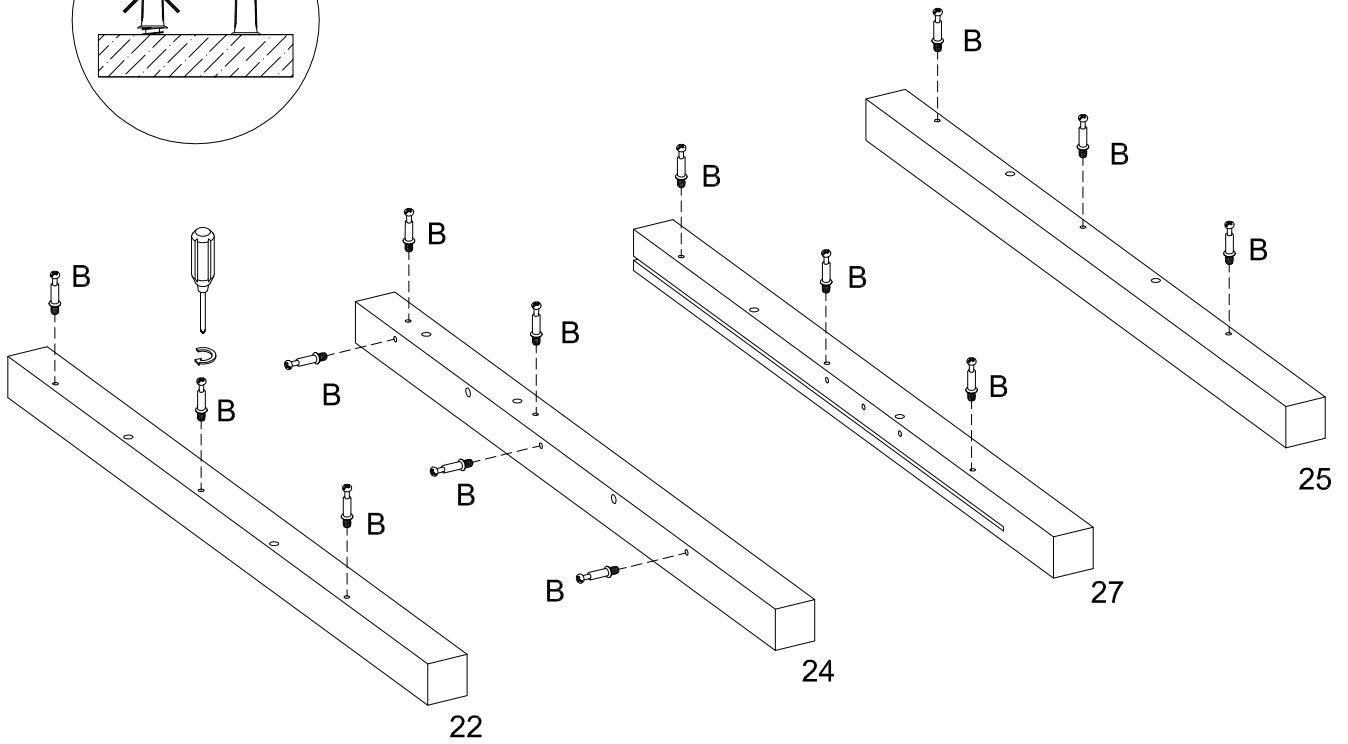
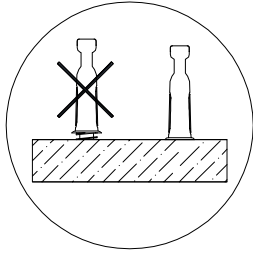
Hardware List

X		Ø13x1mm	Lock Washer	8 pcs
Y		Ø16x1mm	Flat Washer	8 pcs
Z		Ø3.5x12mm	Screw	24 pcs
AA		12"	Left cabinet member	2 pcs
BB		12"	Right cabinet member	2 pcs
CC		12"	Left drawer runner	2 pcs
DD		12"	Right drawer runner	2 pcs
EE			Tipping Restraint Hardware	2 set
FF			Power plug	1 pcs
GG		Ø4x16mm	Handle bolt	4 pcs
HH		Ø3.5x14mm	Hinge screw	8 pcs
JJ		Ø35mm	Europe Hinge	2 pcs
KK			Handle	1 pcs

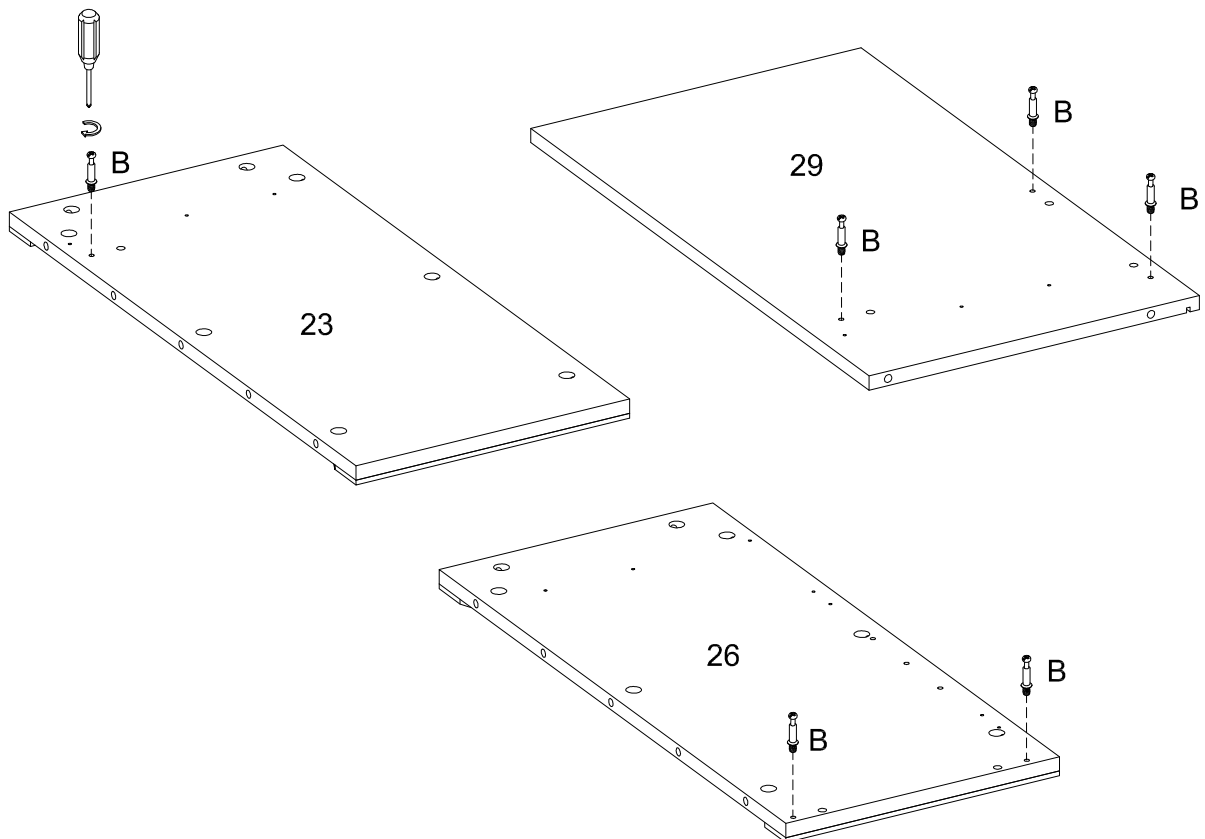


Philips head screwdriver required for assembly
(not included)

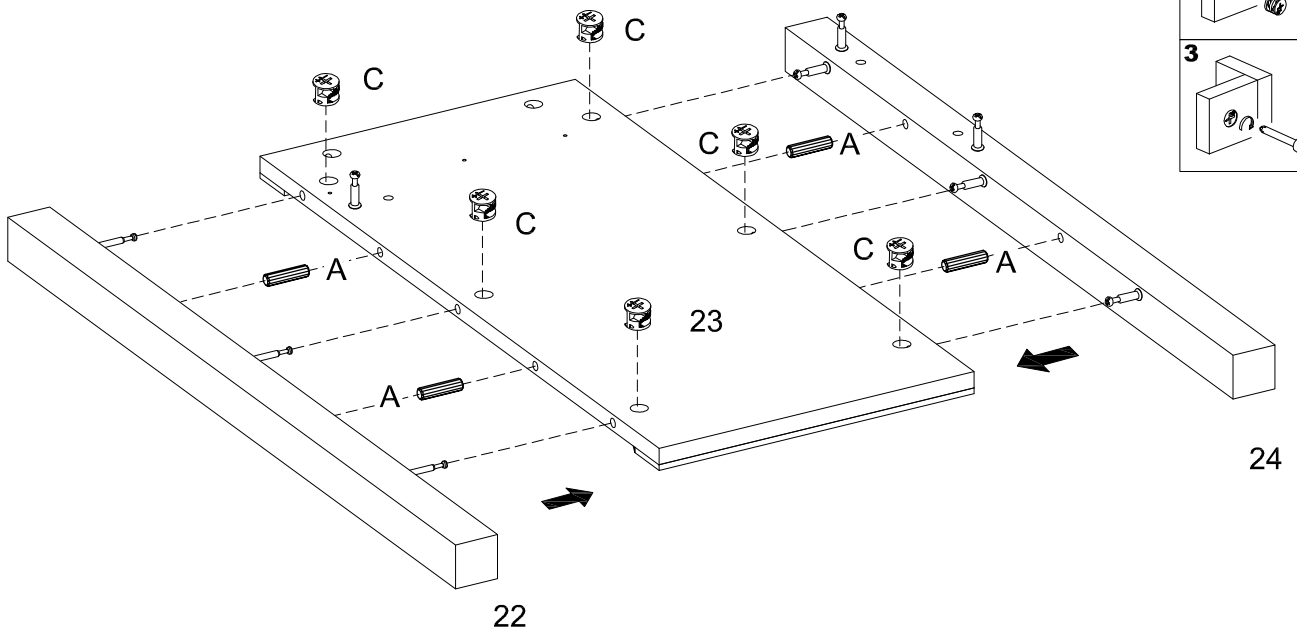
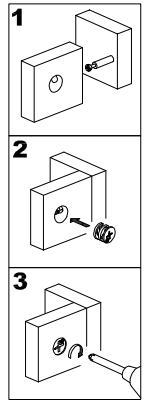
Step 1



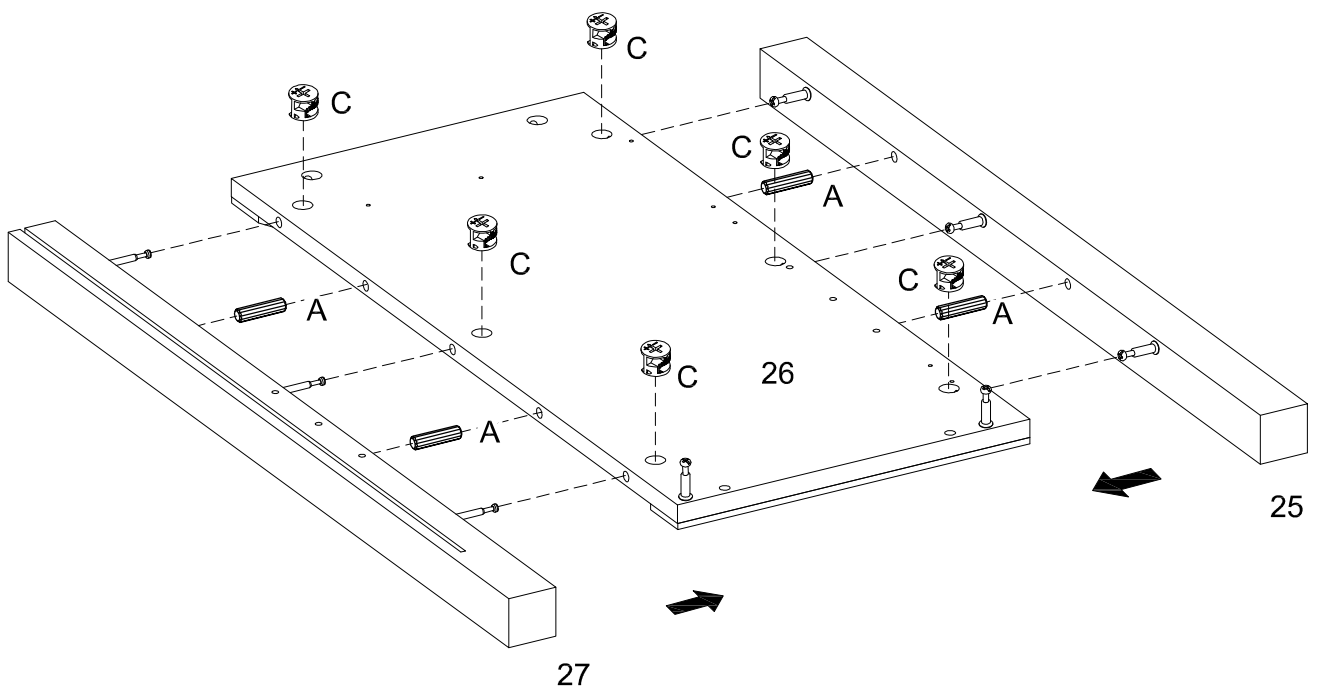
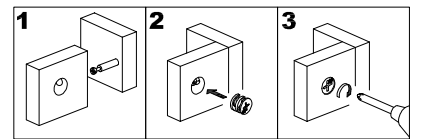
Step 2



Step 3

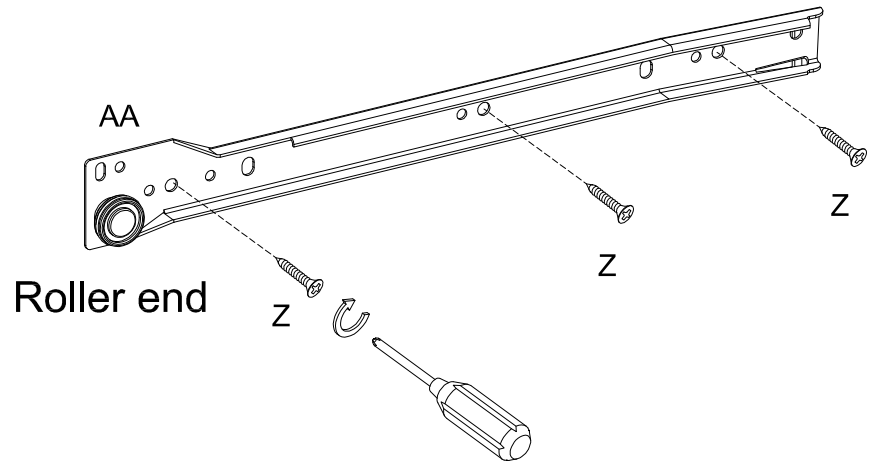
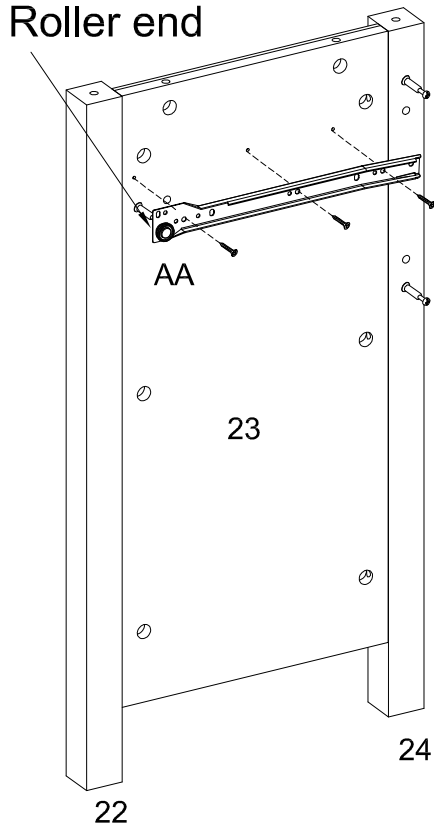


Step 4



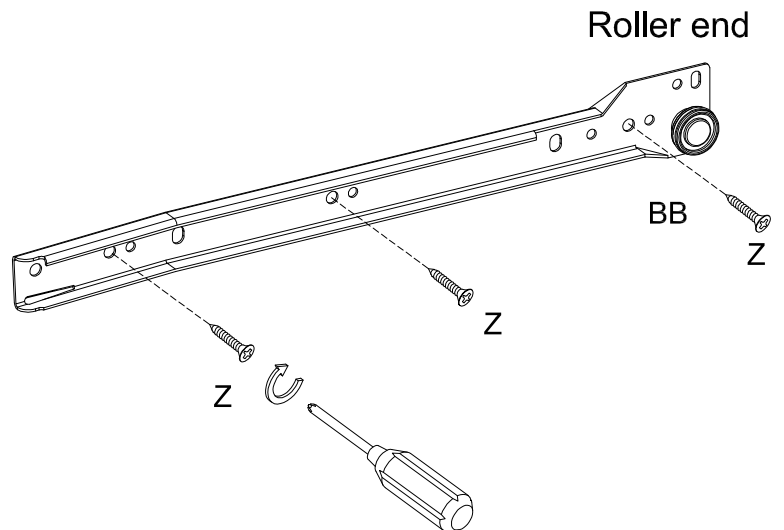
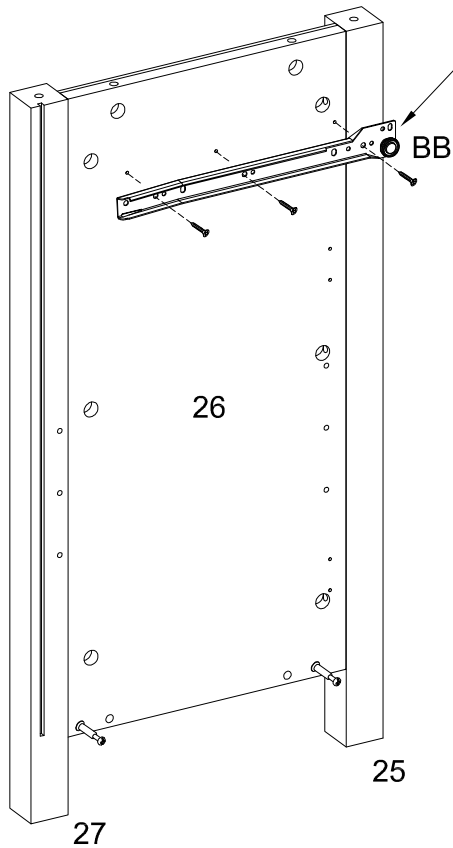
Step 5

Roller end

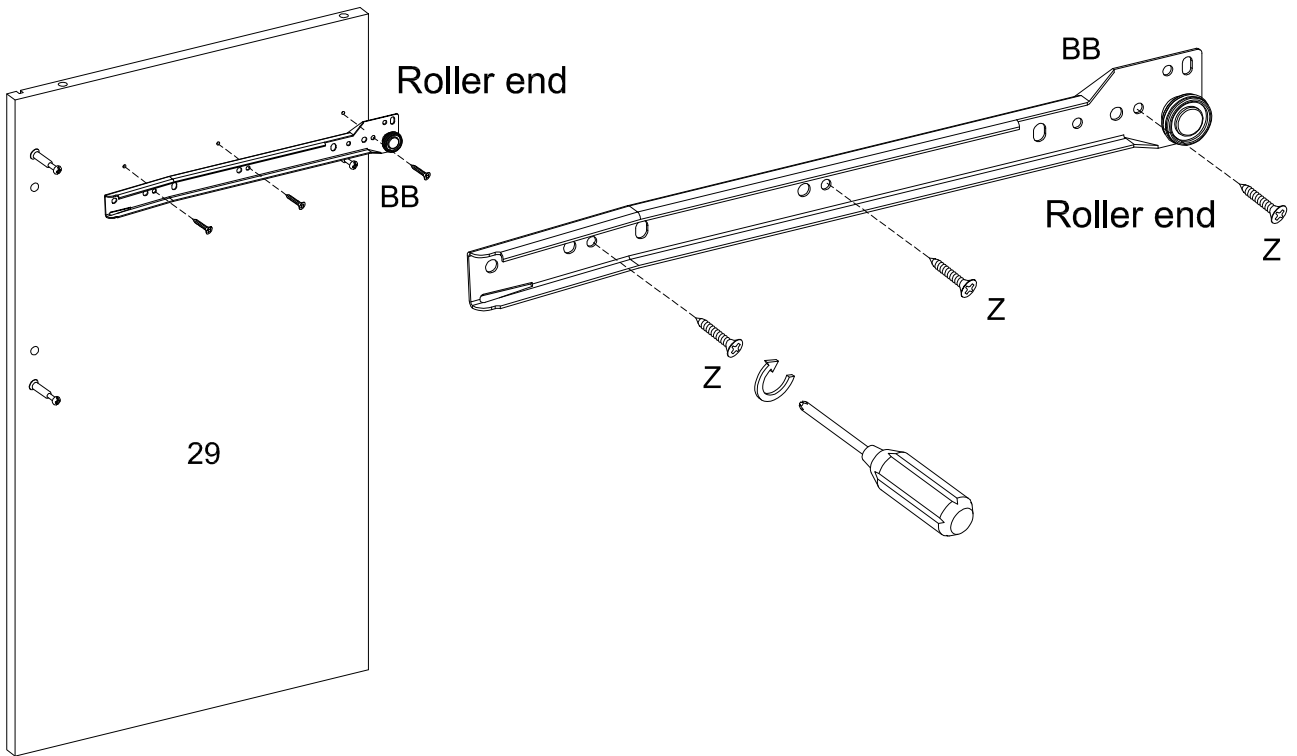


Step 6

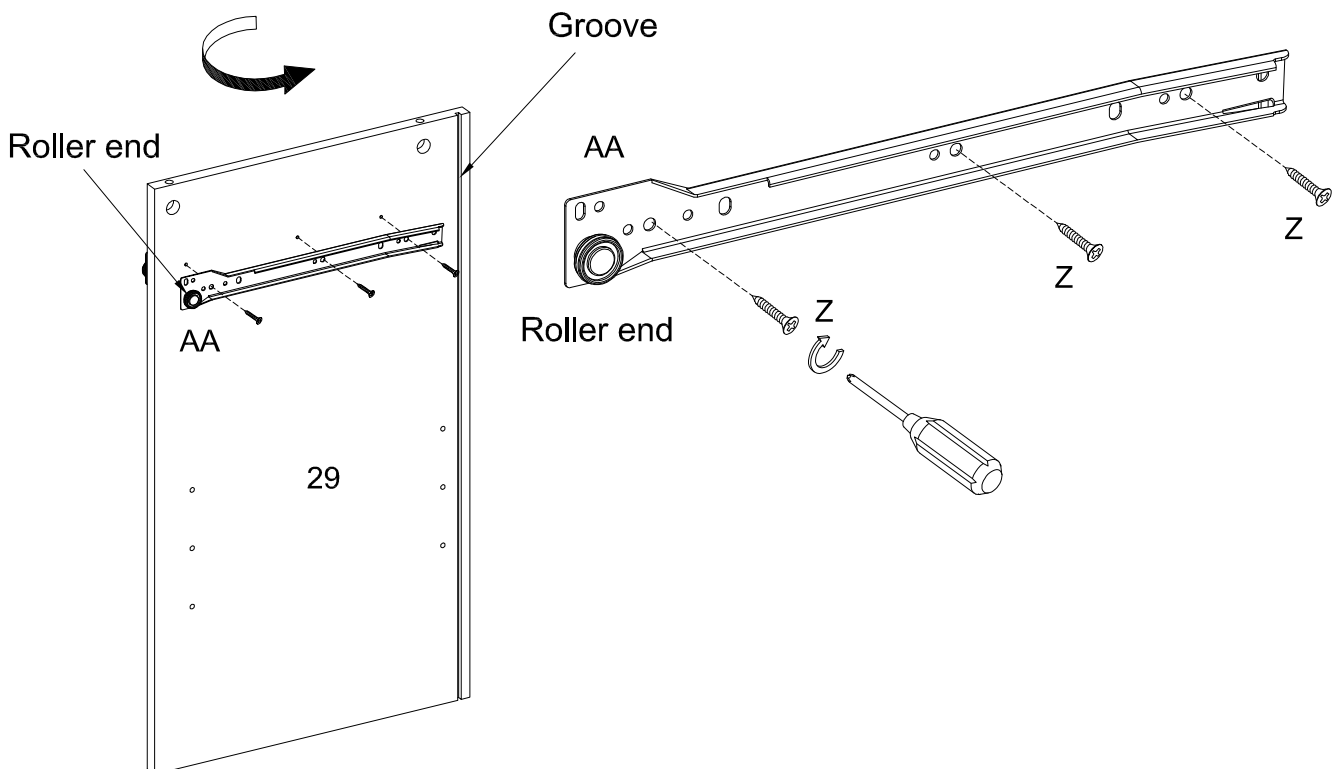
Roller end



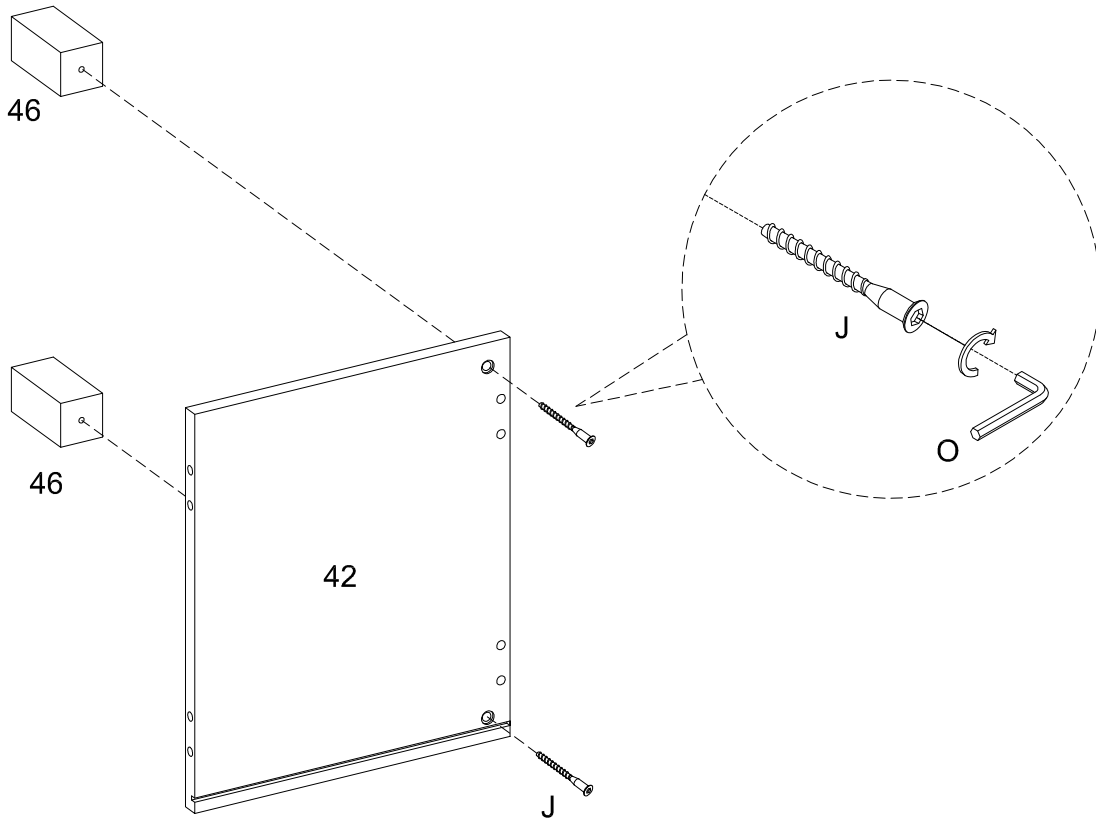
Step 7



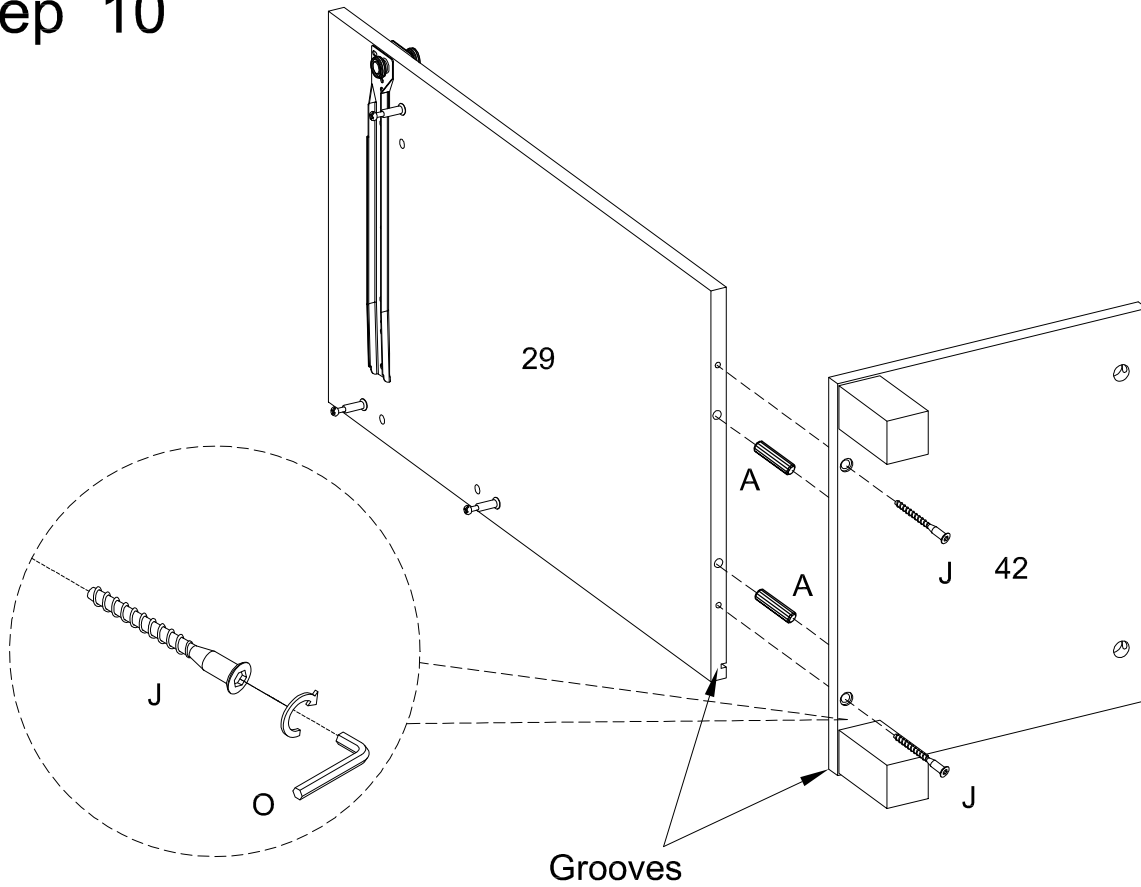
Step 8



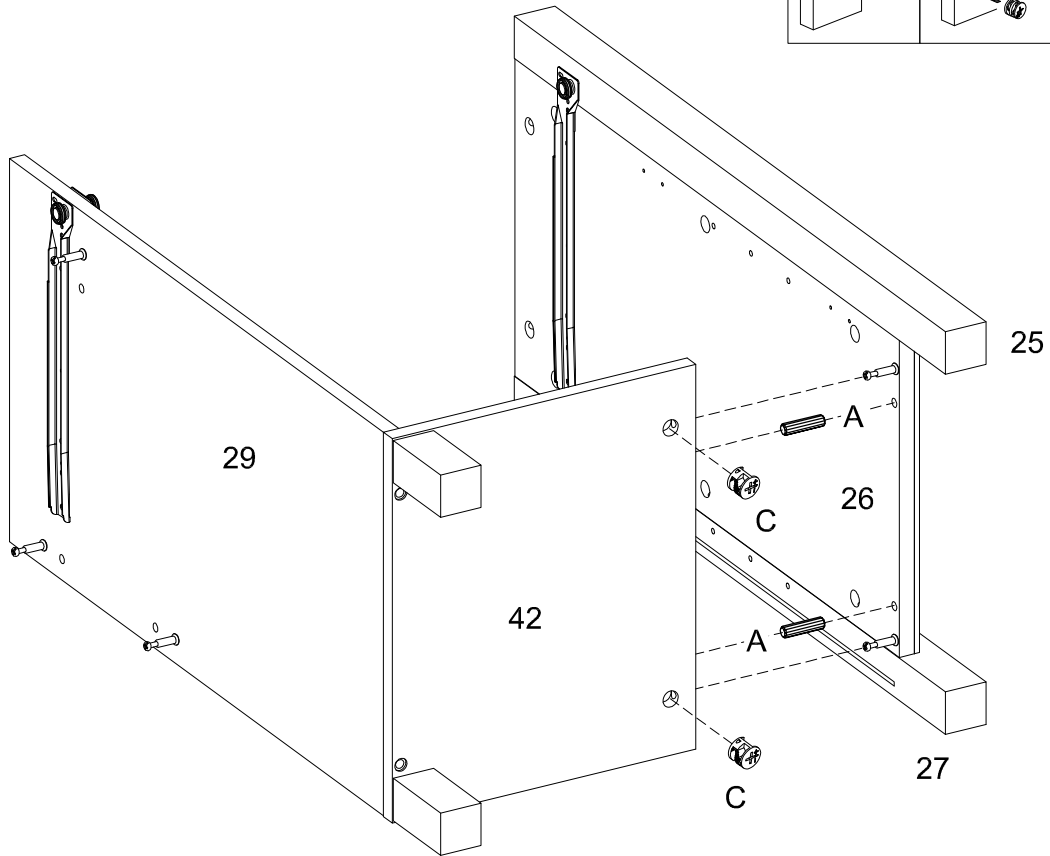
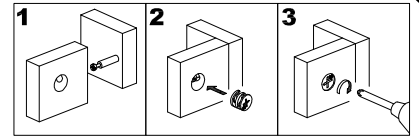
Step 9



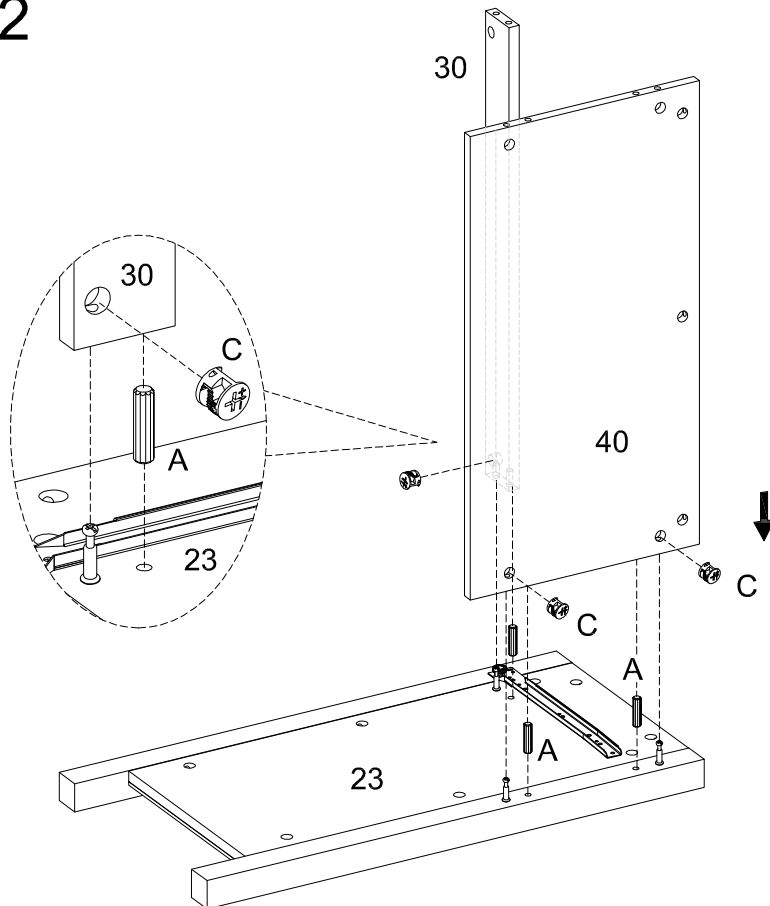
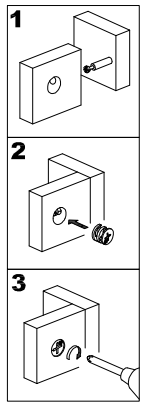
Step 10



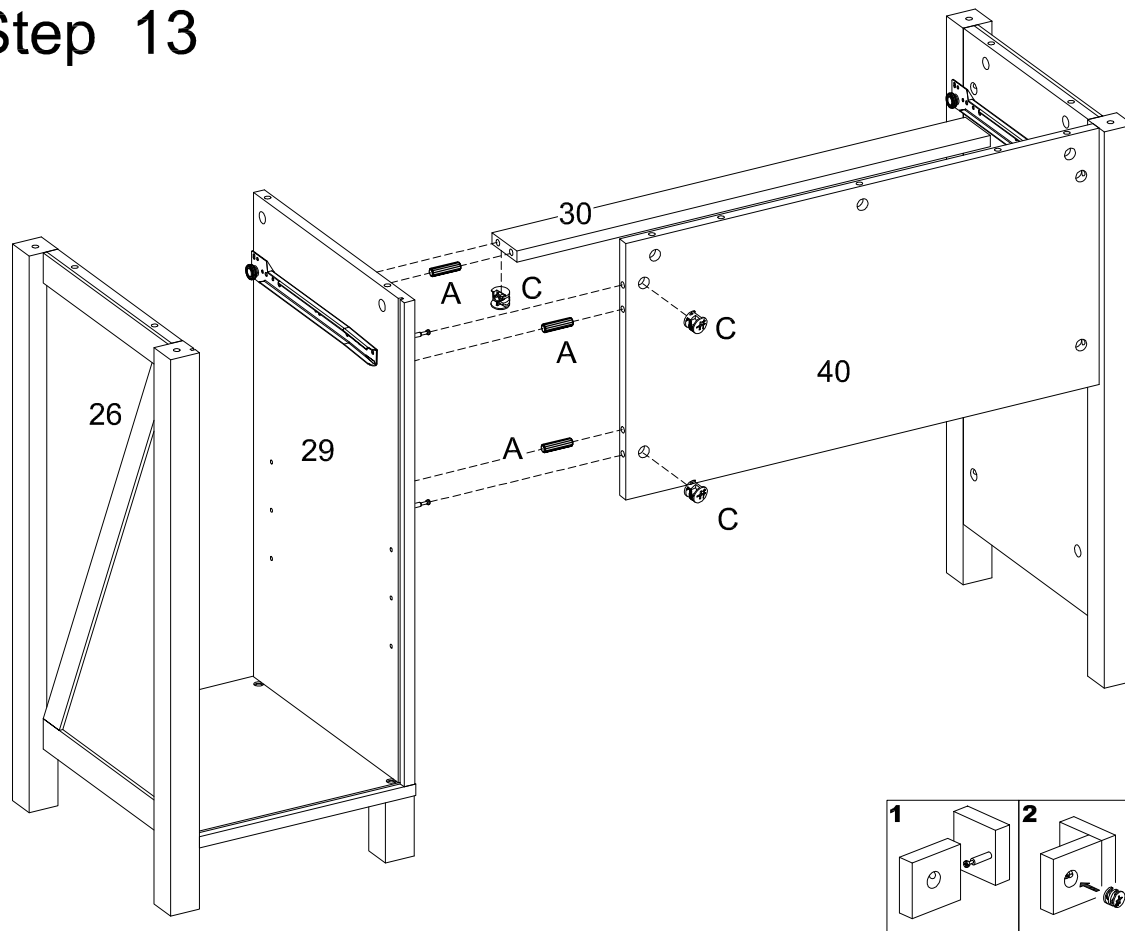
Step 11



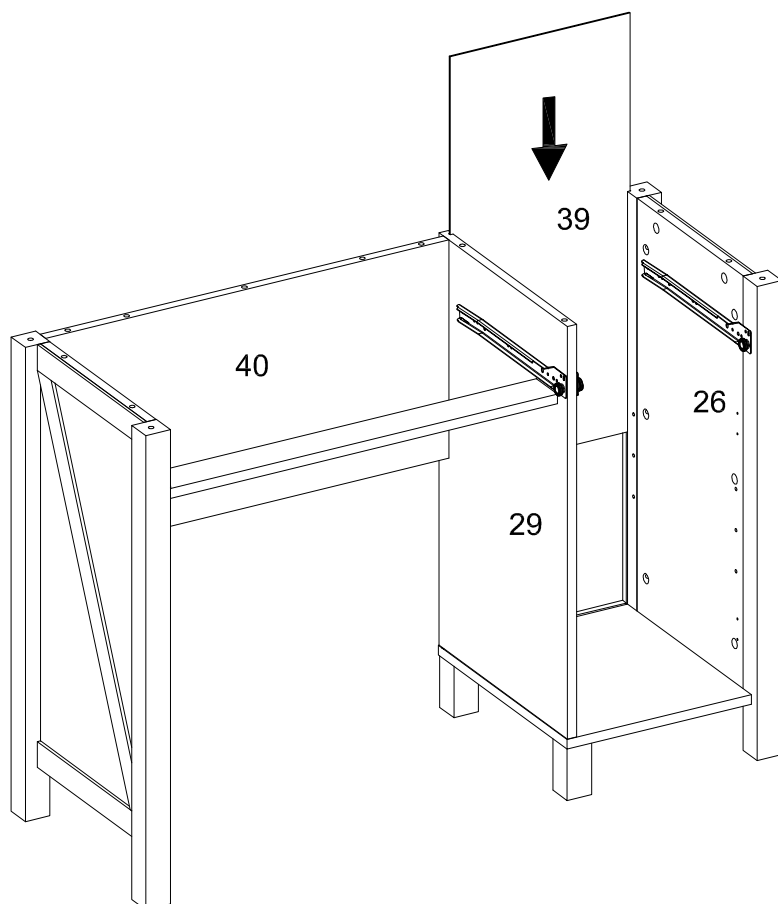
Step 12



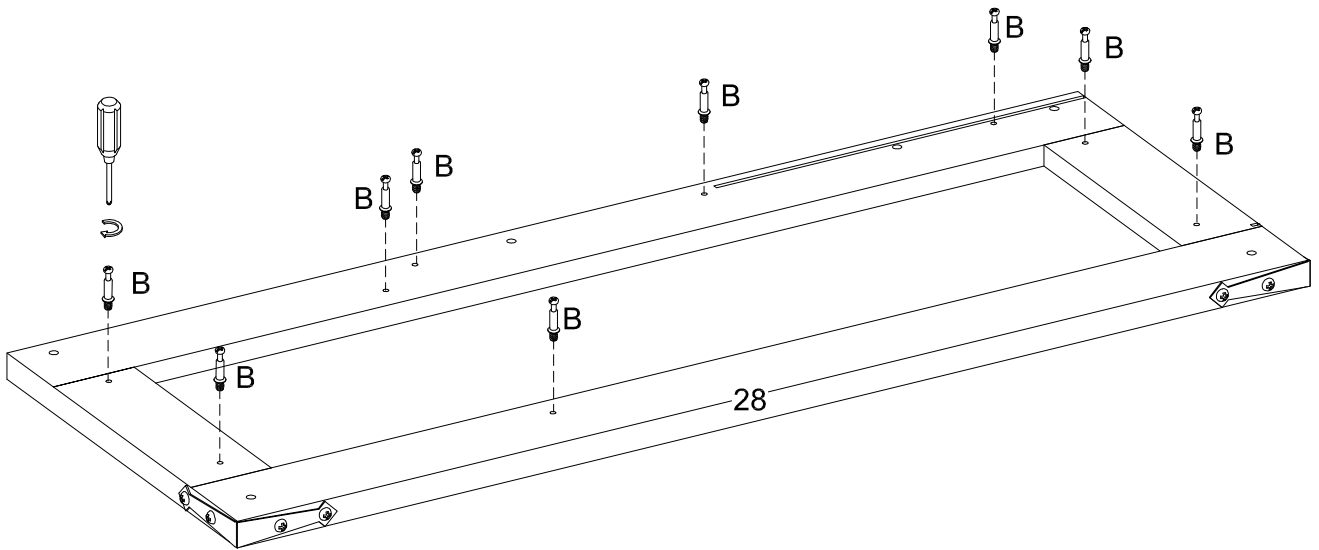
Step 13



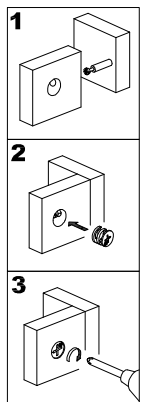
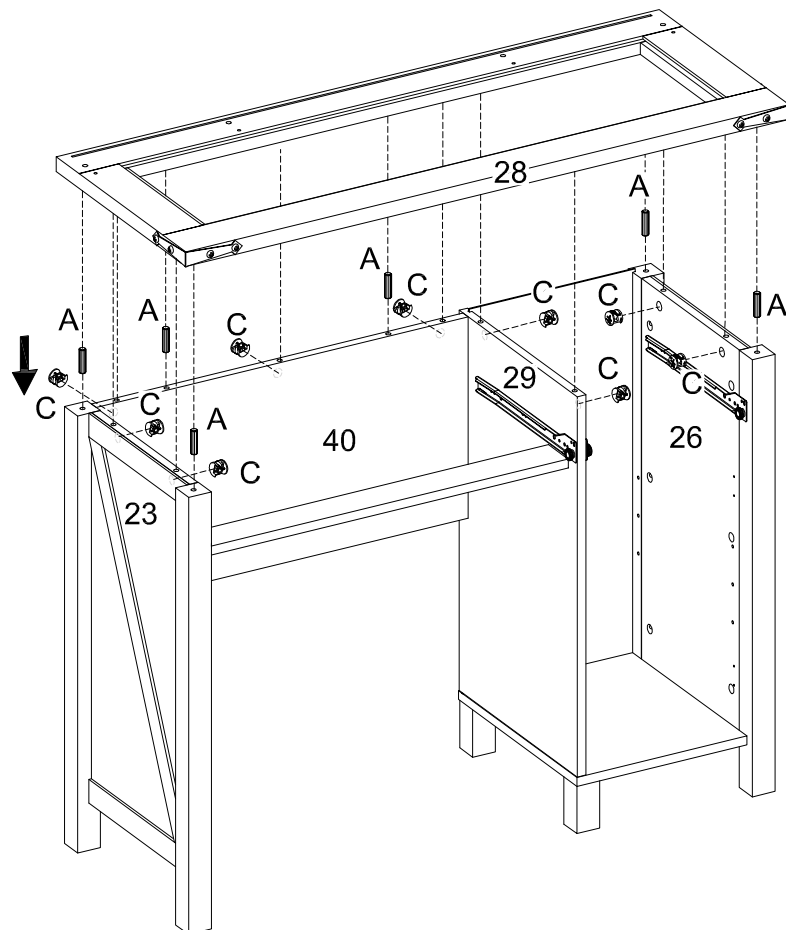
Step 14



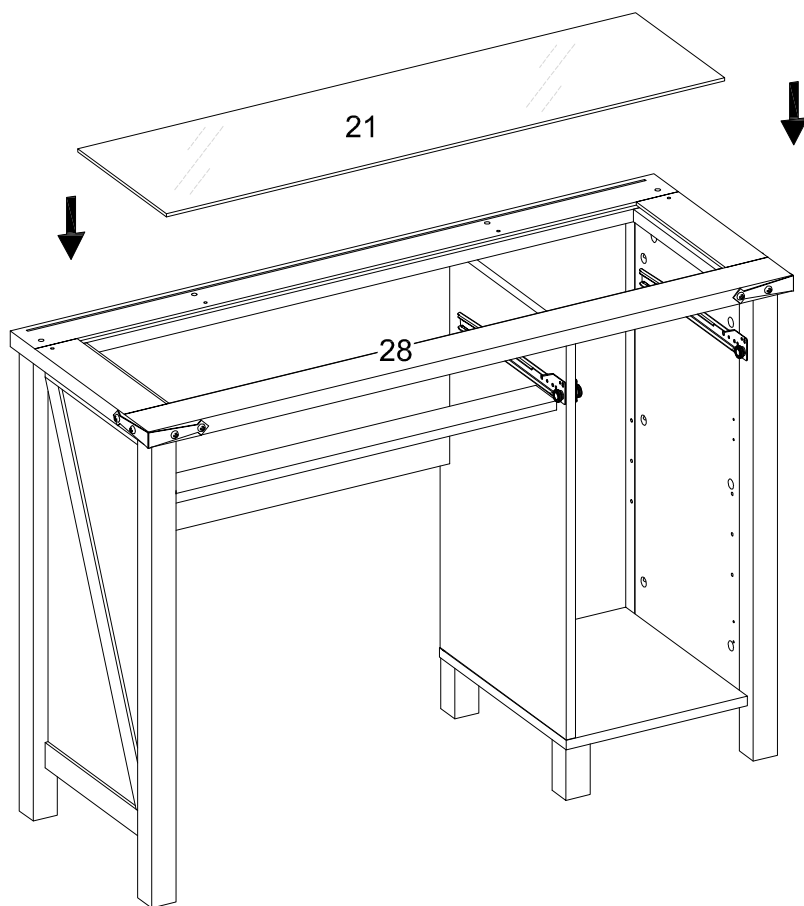
Step 15



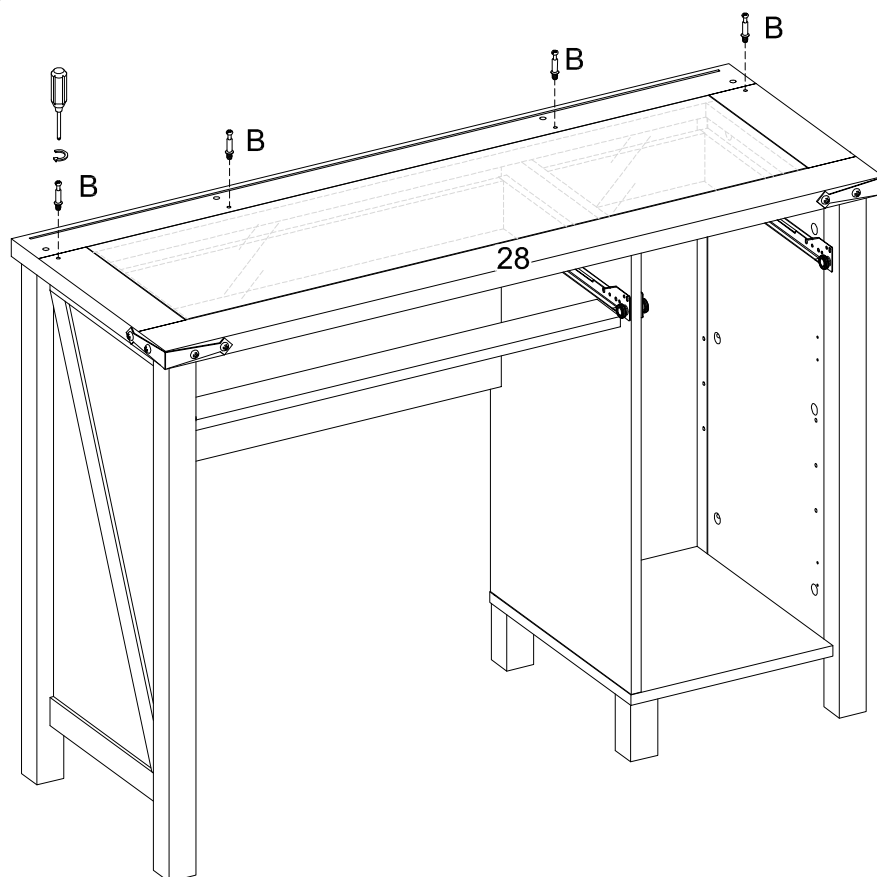
Step 16



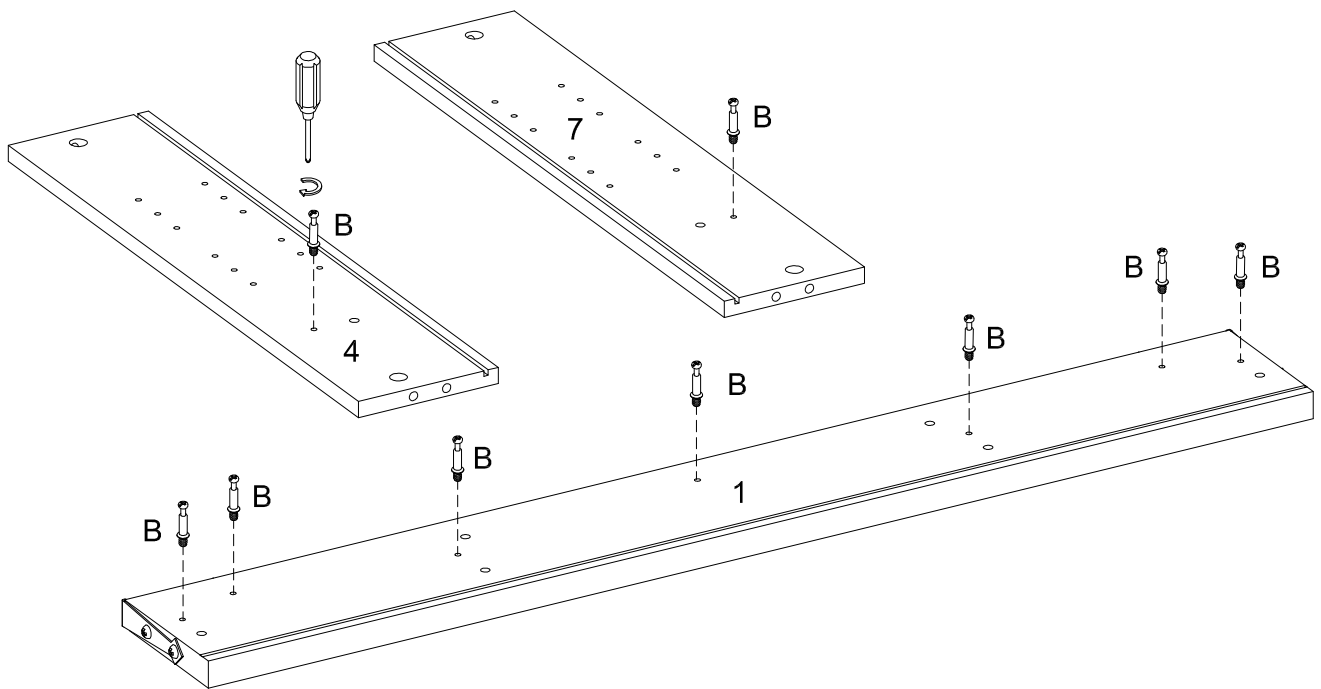
Step 17



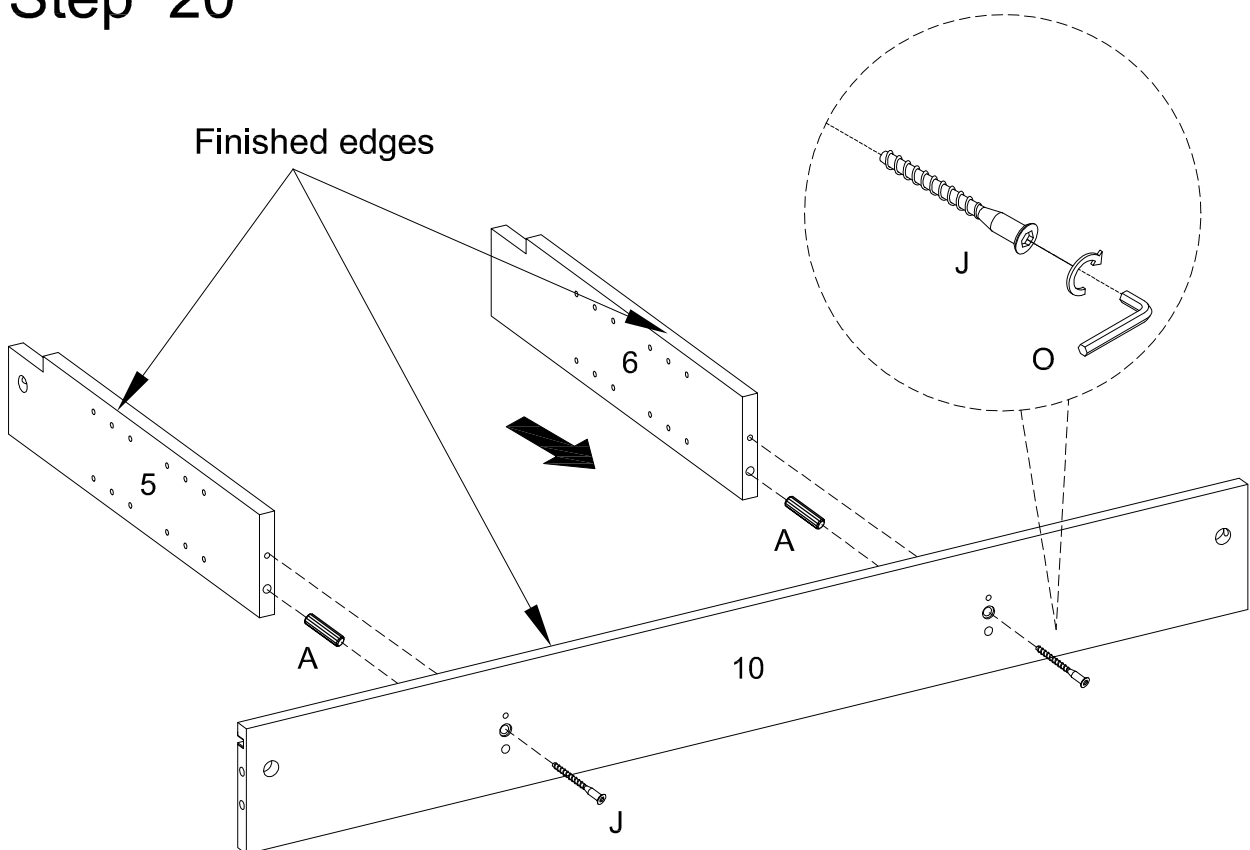
Step 18



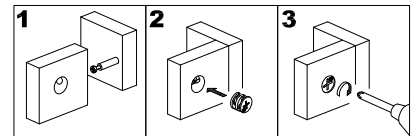
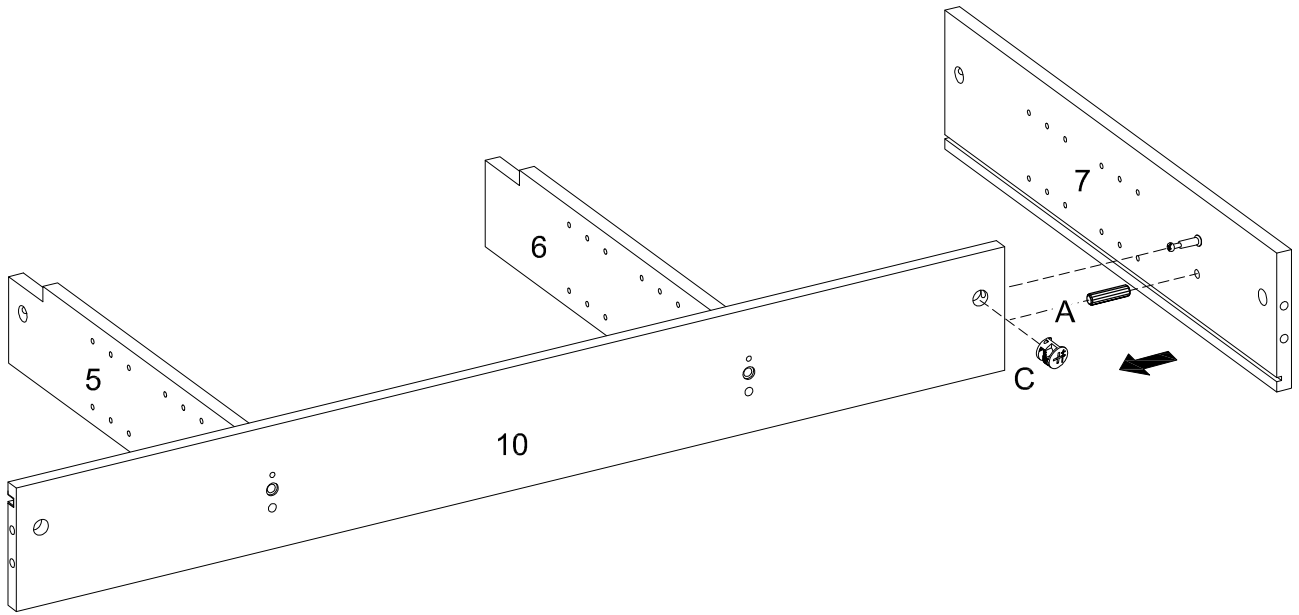
Step 19



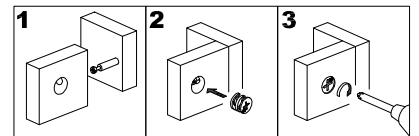
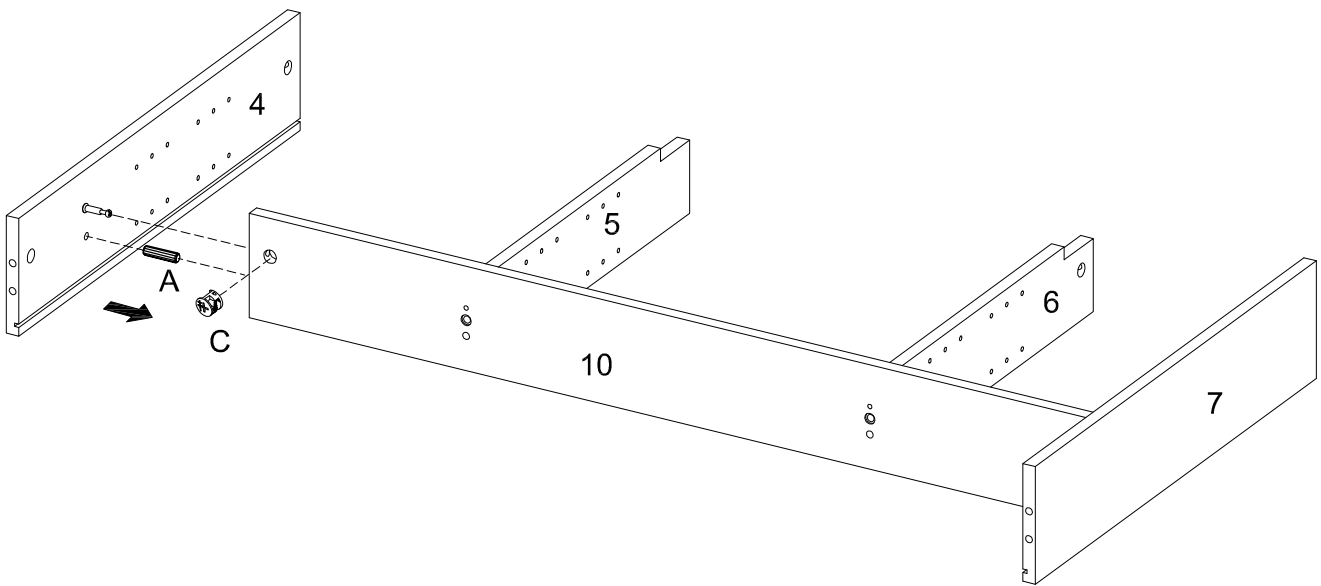
Step 20



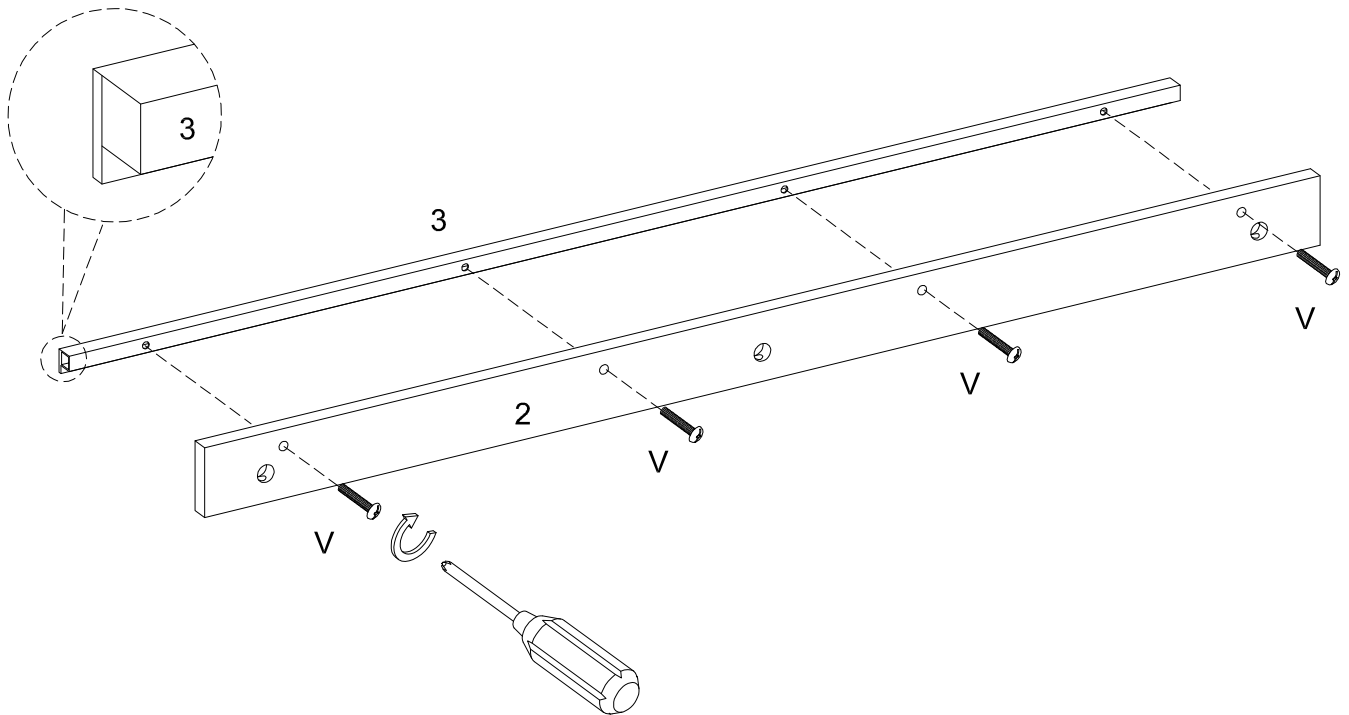
Step 21



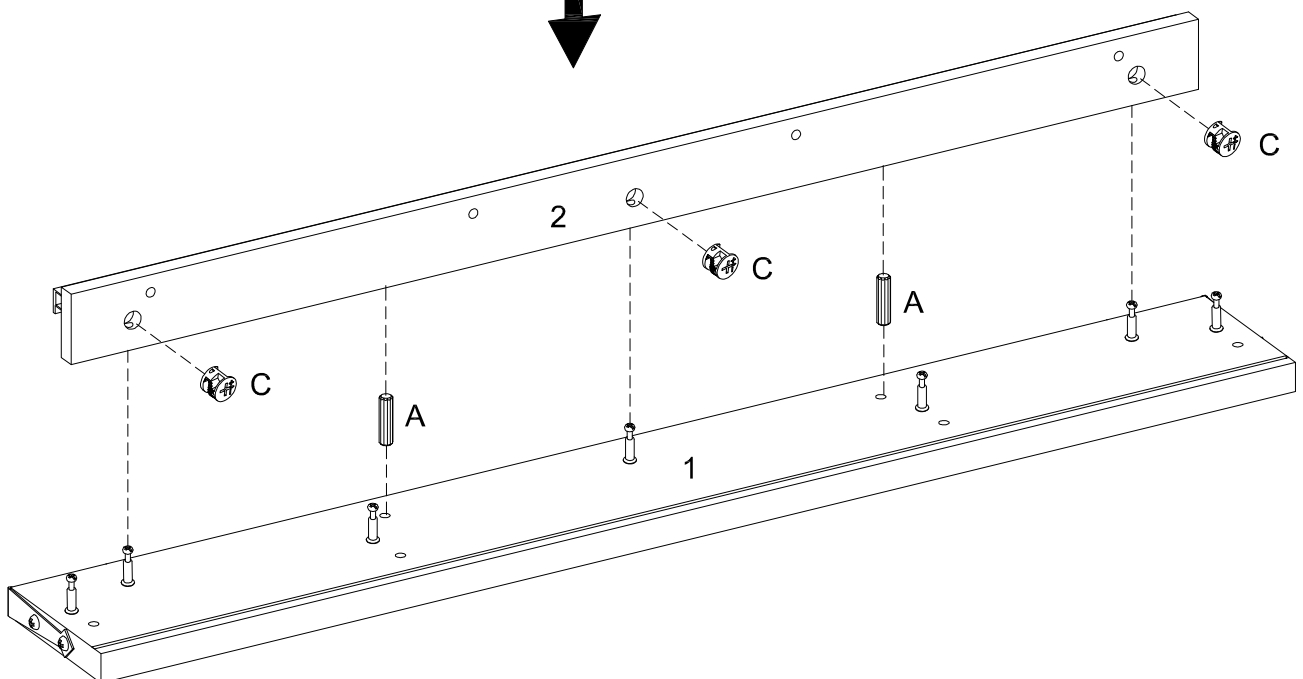
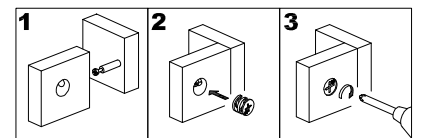
Step 22



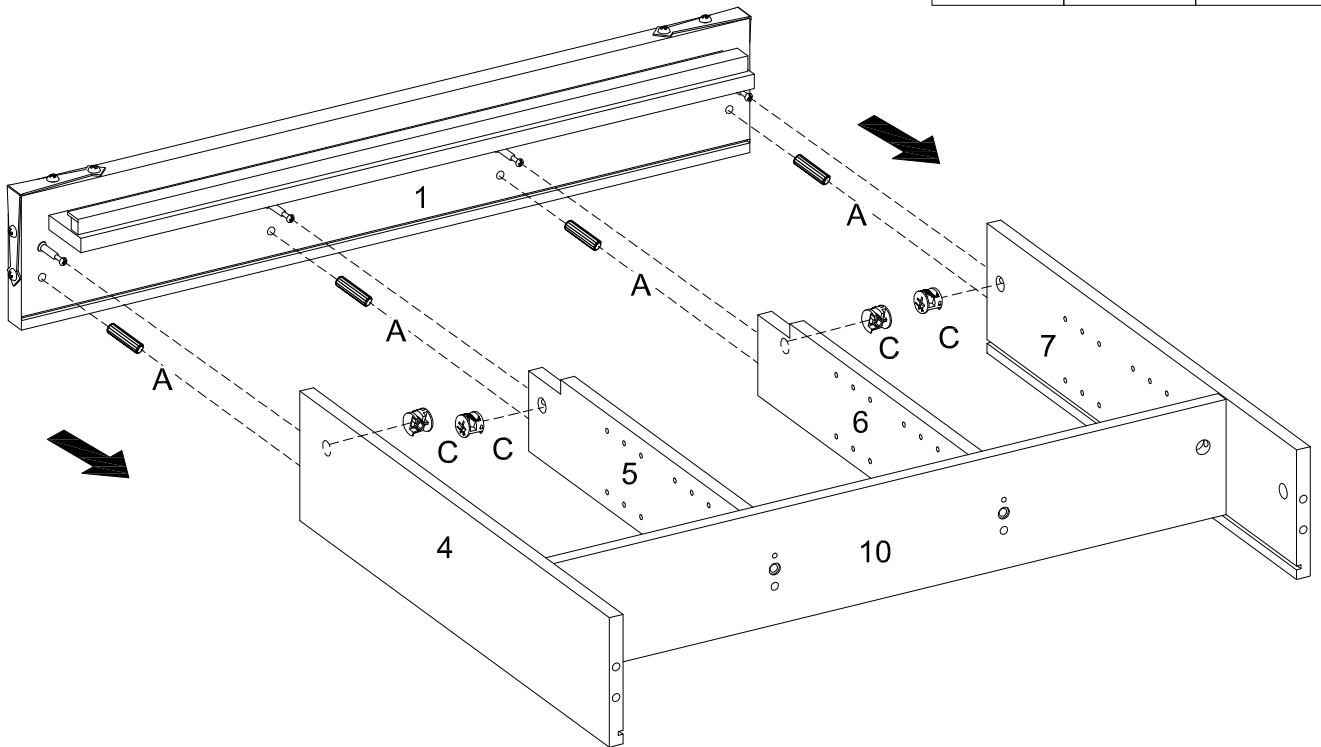
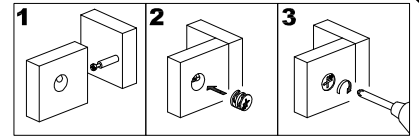
Step 23



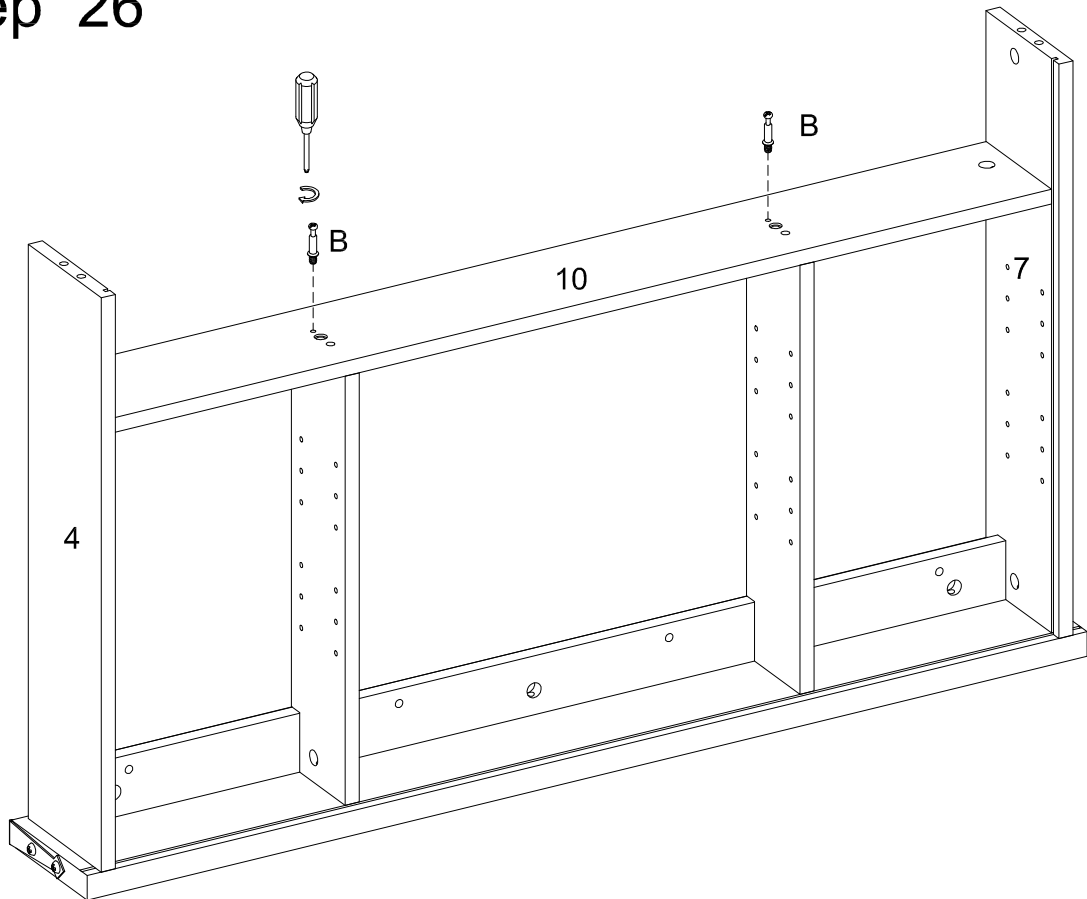
Step 24



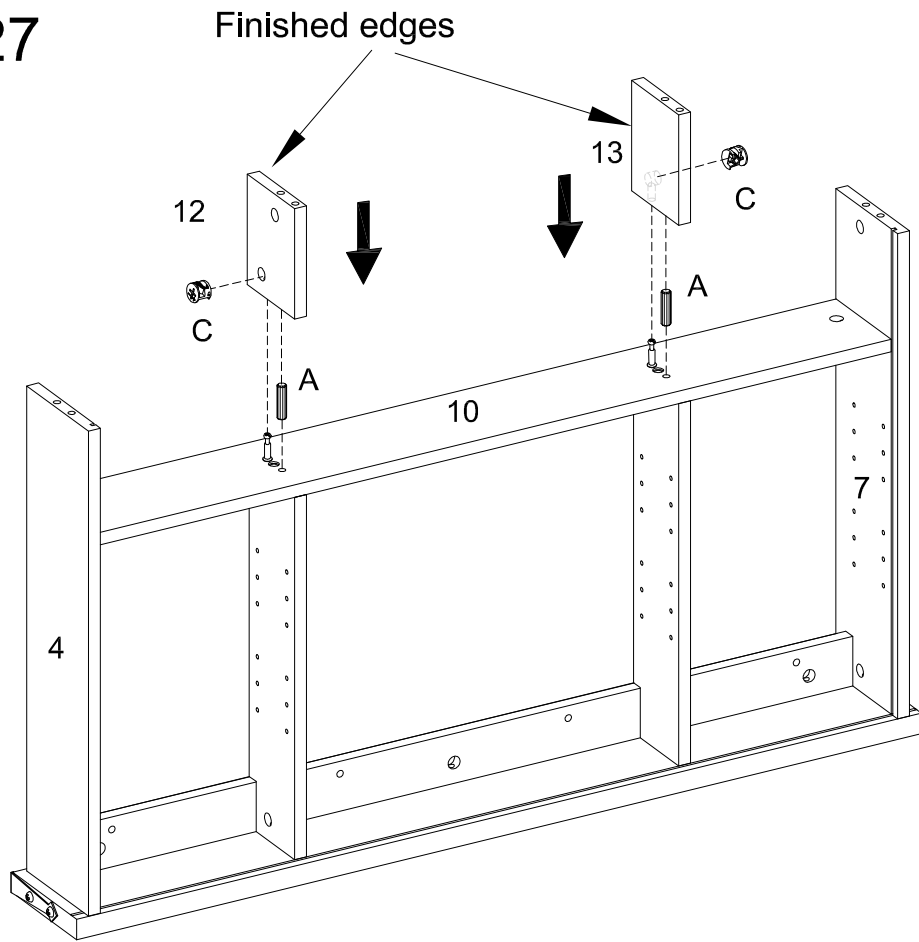
Step 25



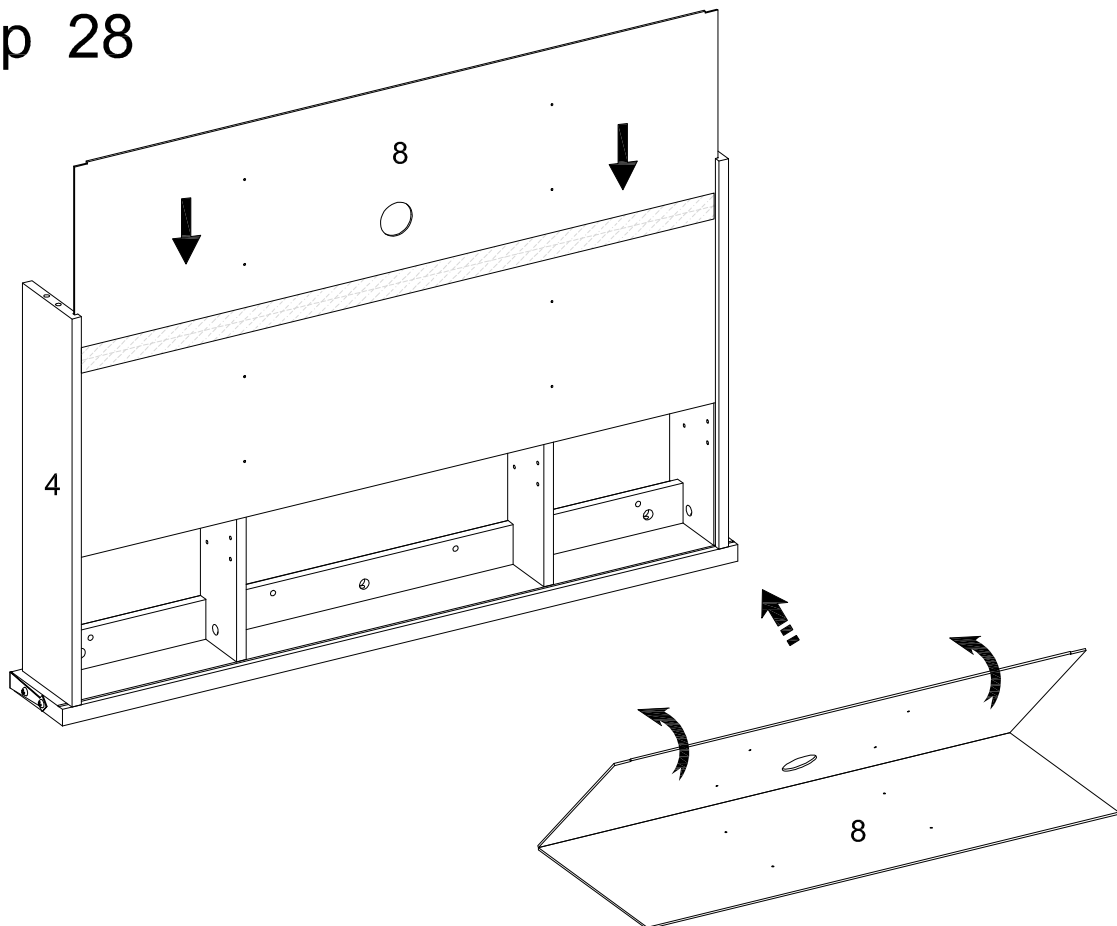
Step 26



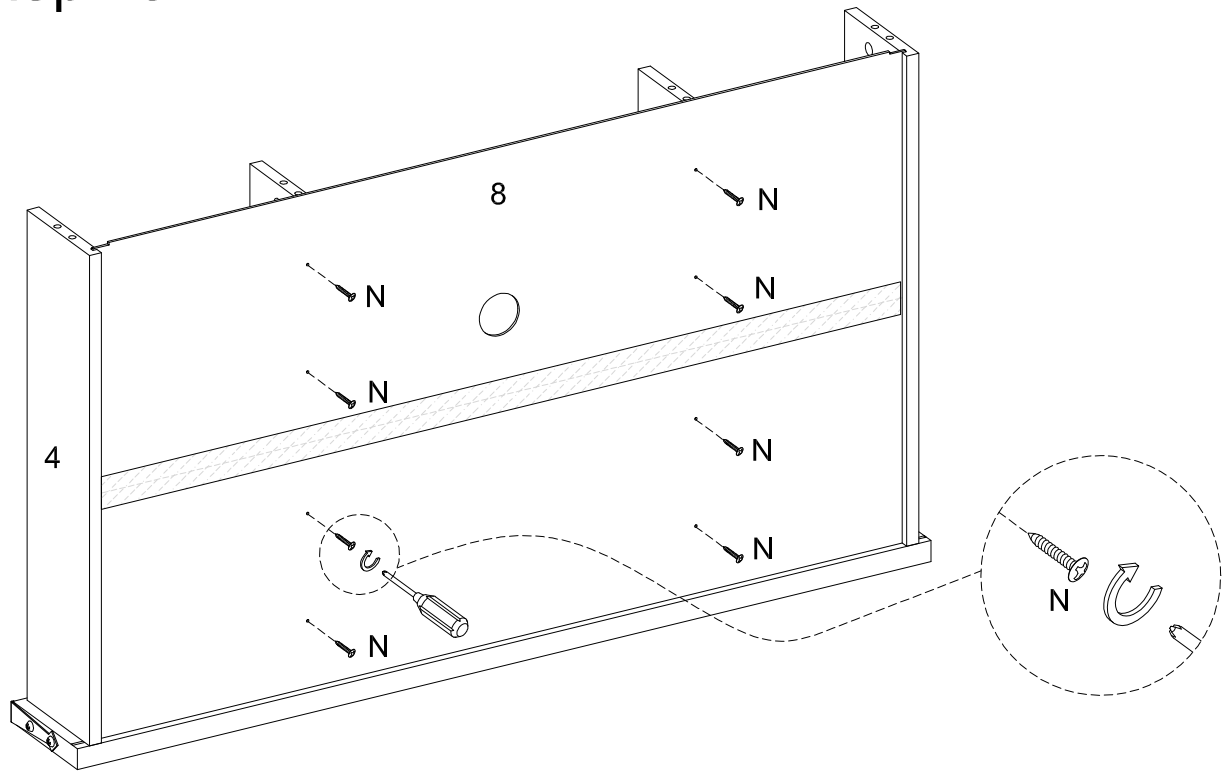
Step 27



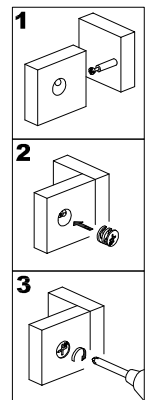
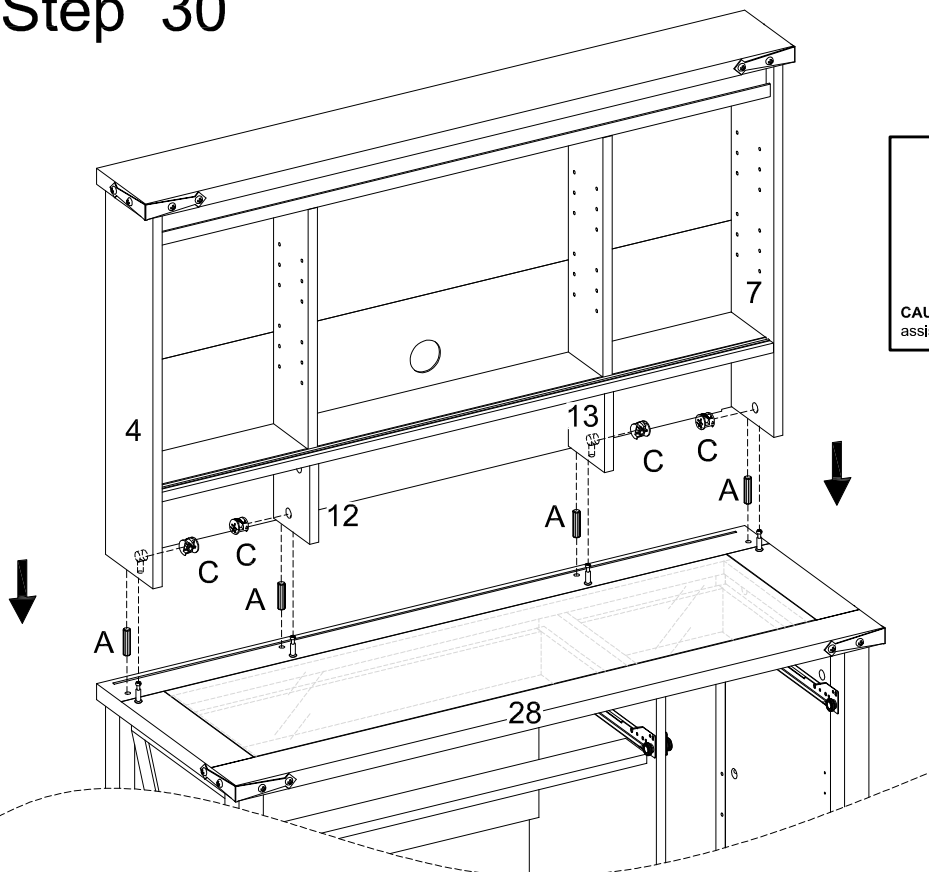
Step 28



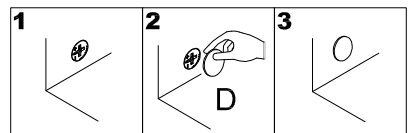
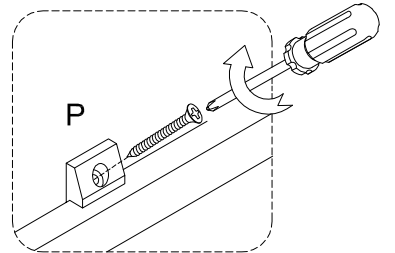
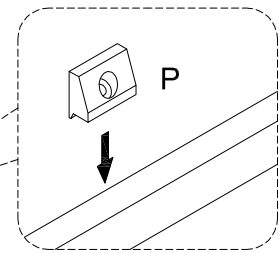
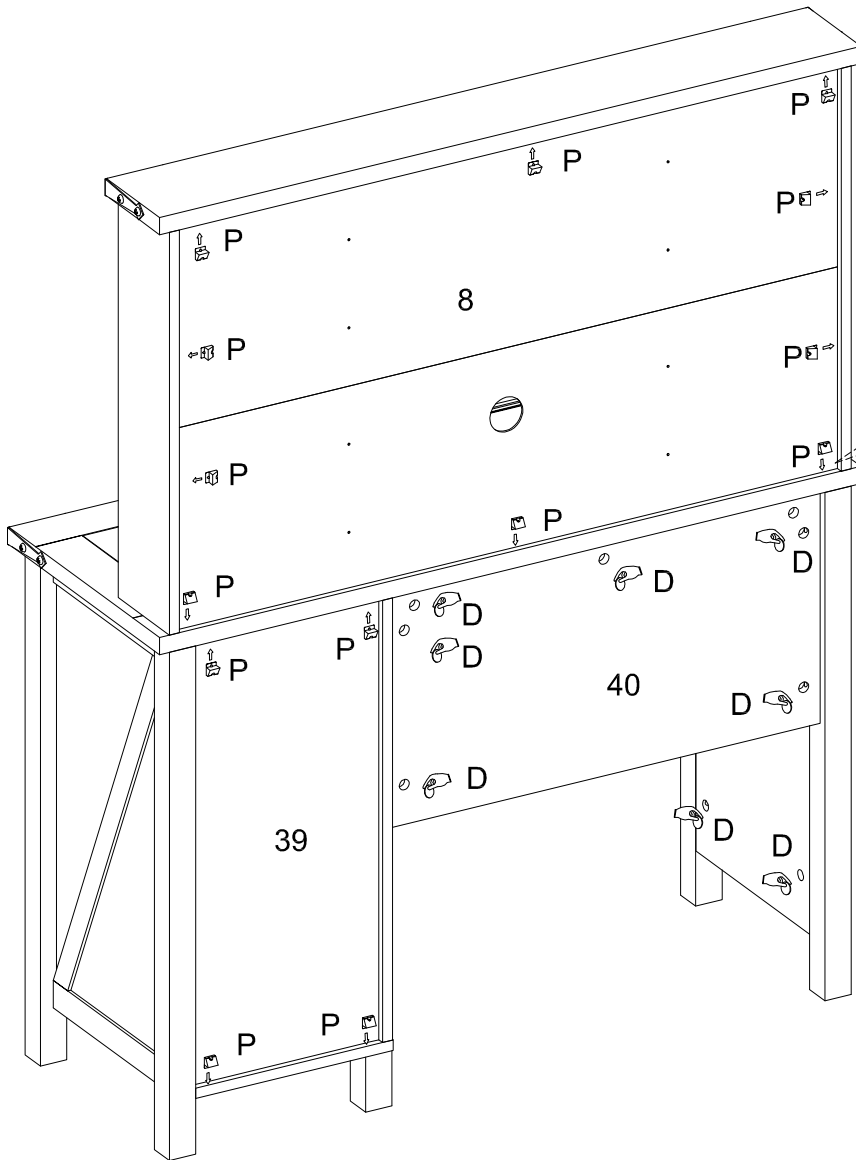
Step 29



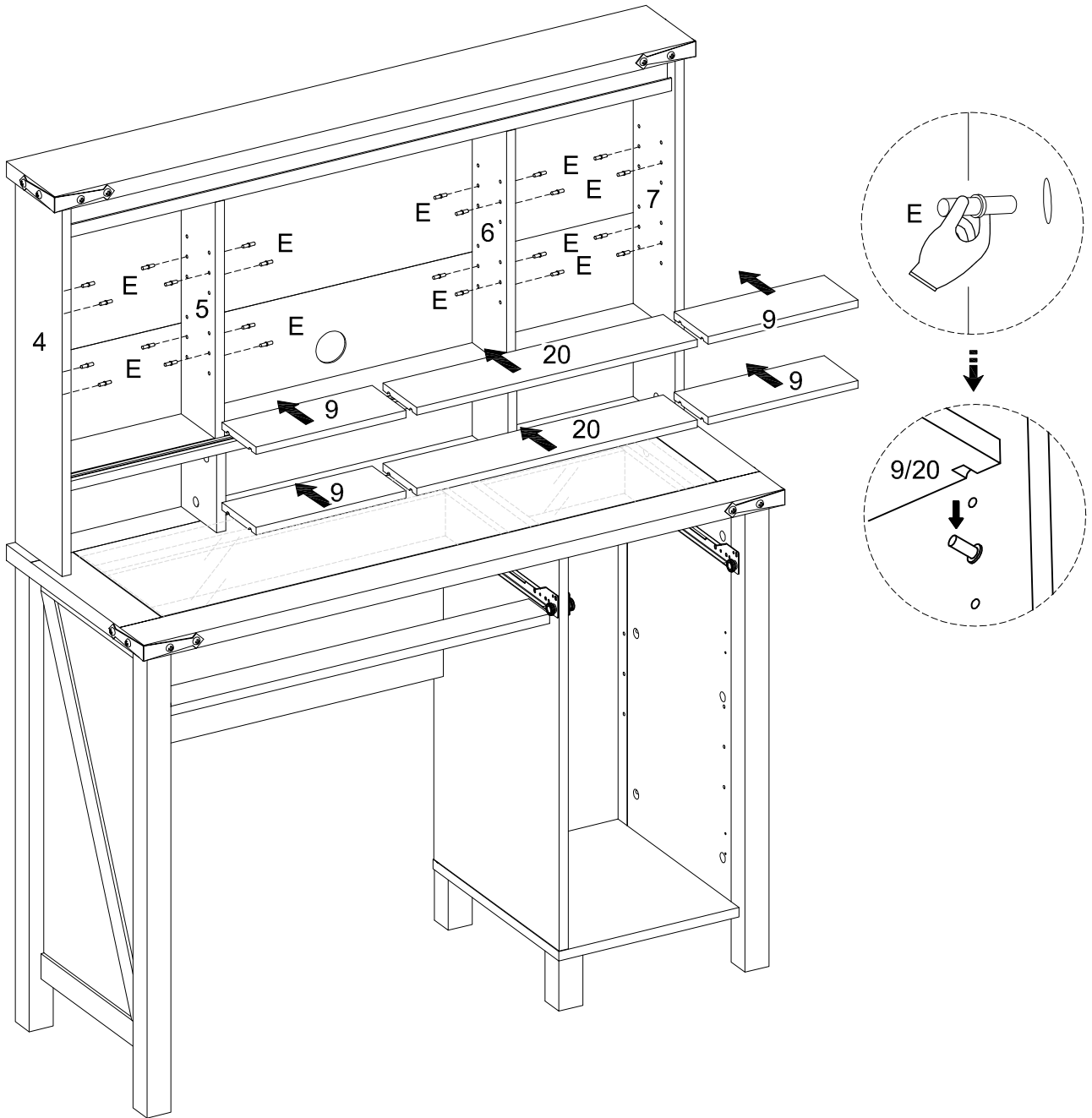
Step 30



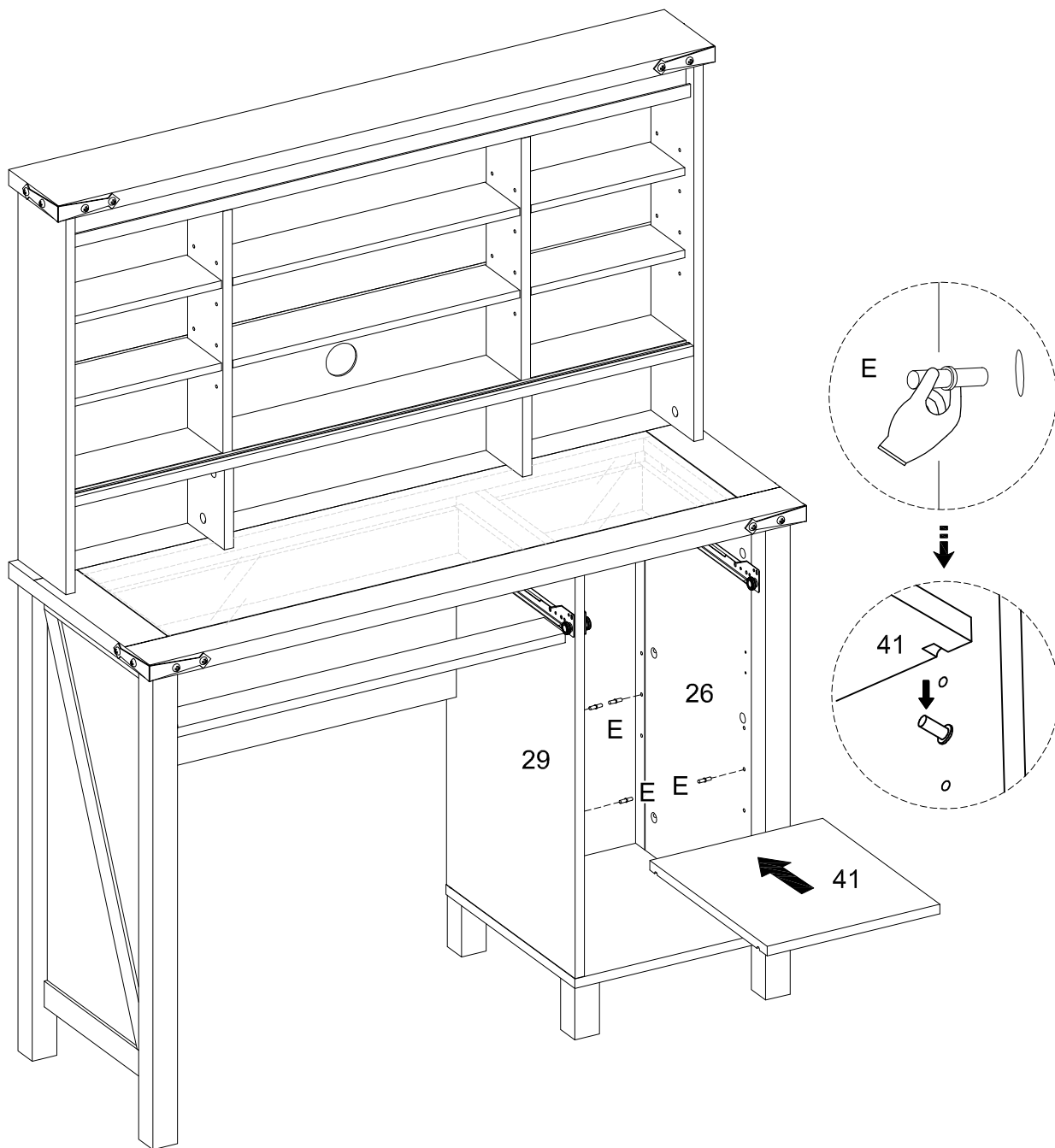
Step 31



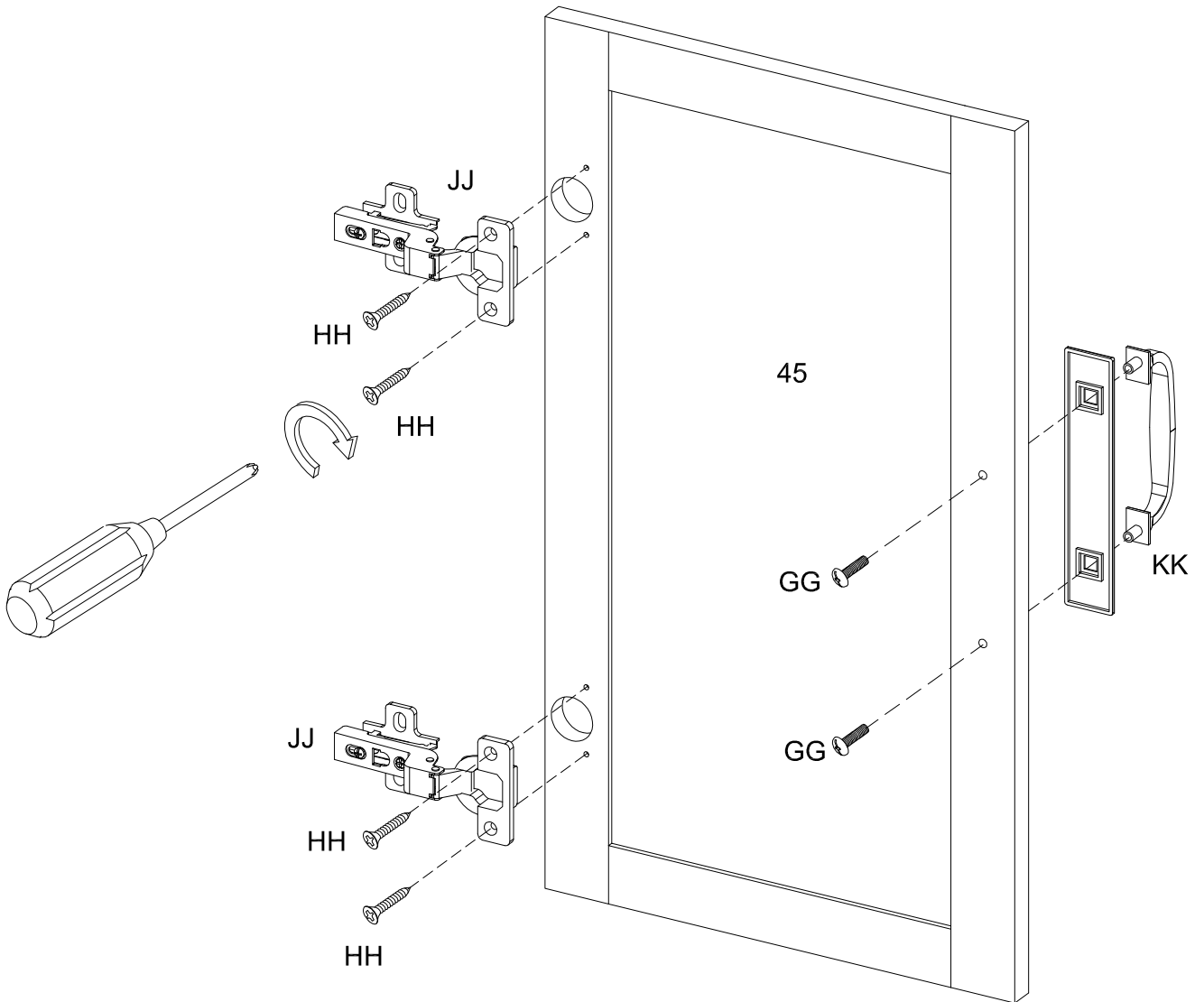
Step 32



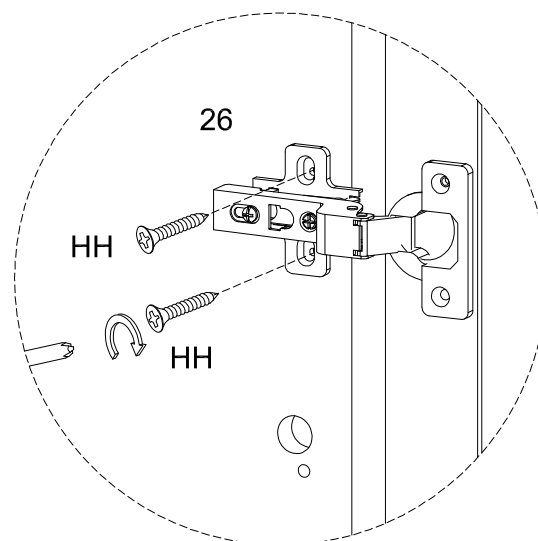
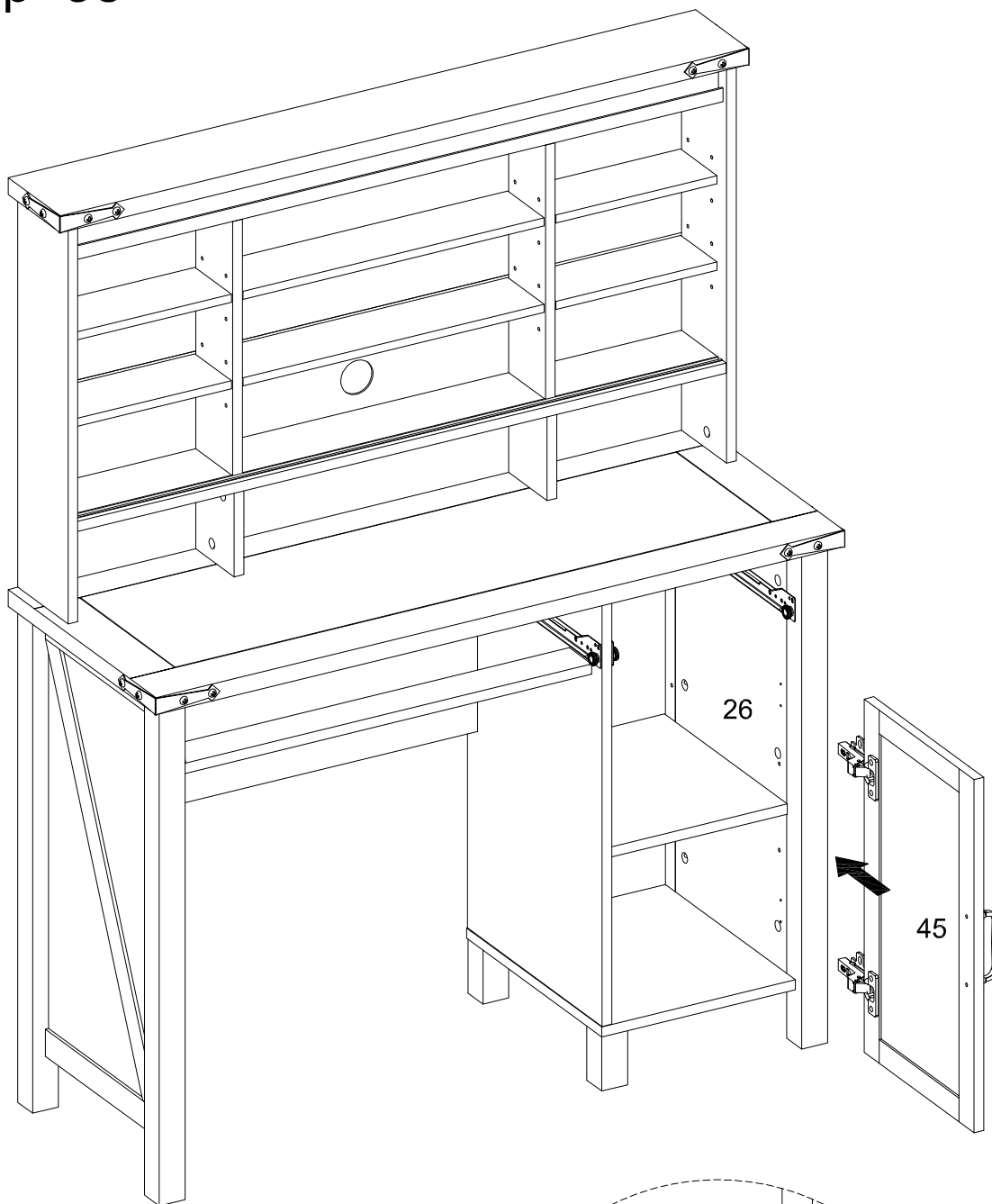
Step 33



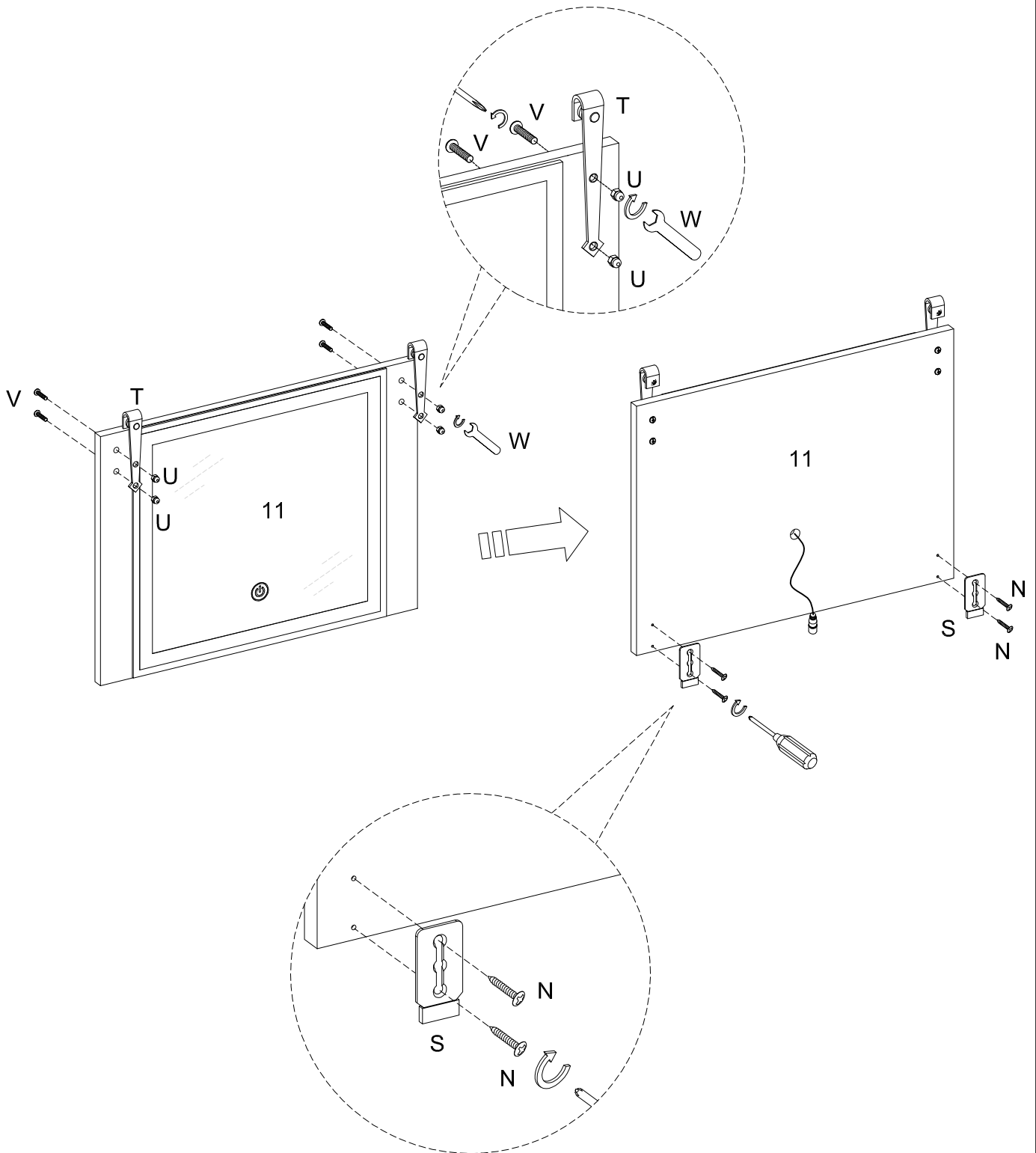
Step 34



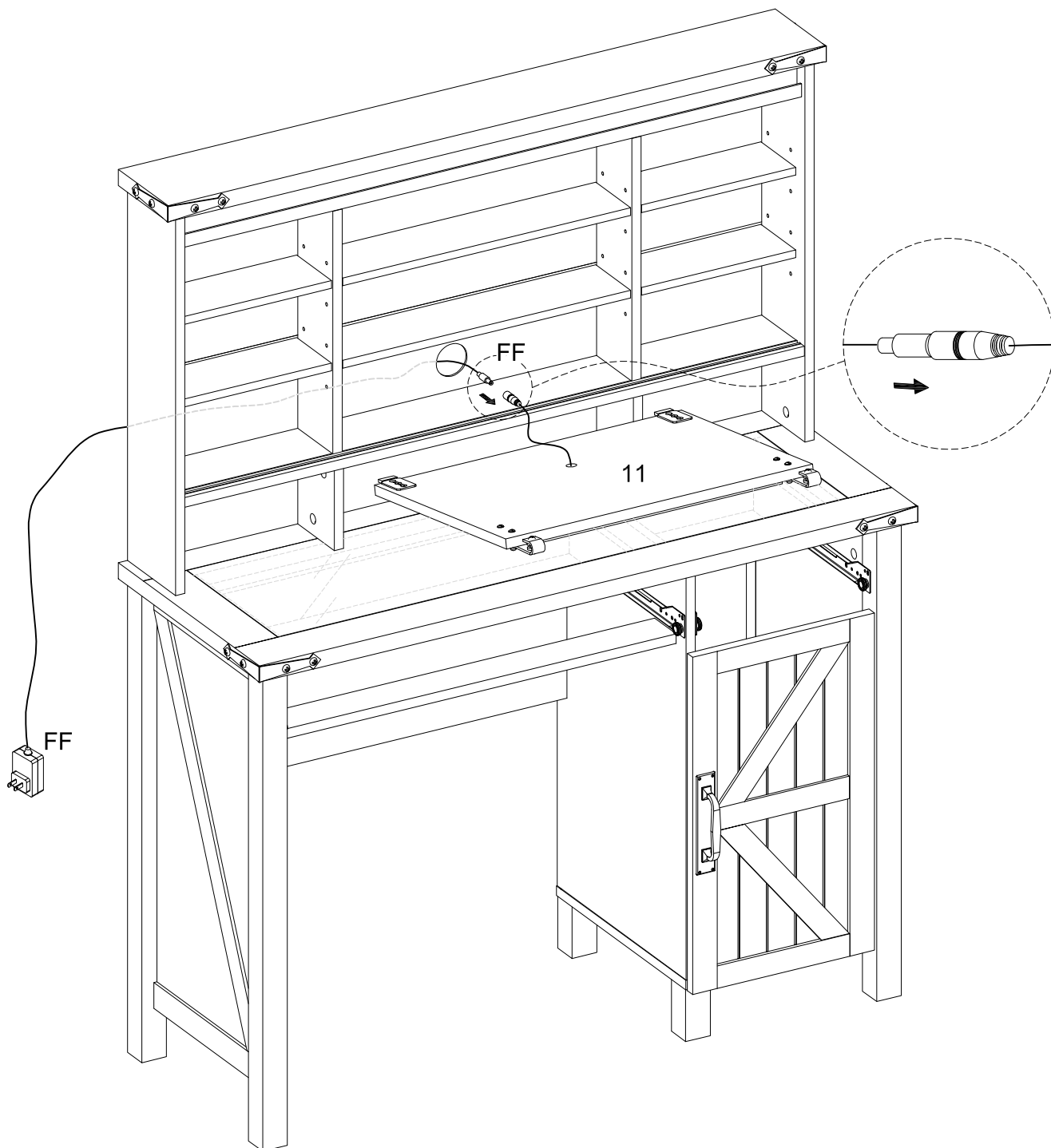
Step 35



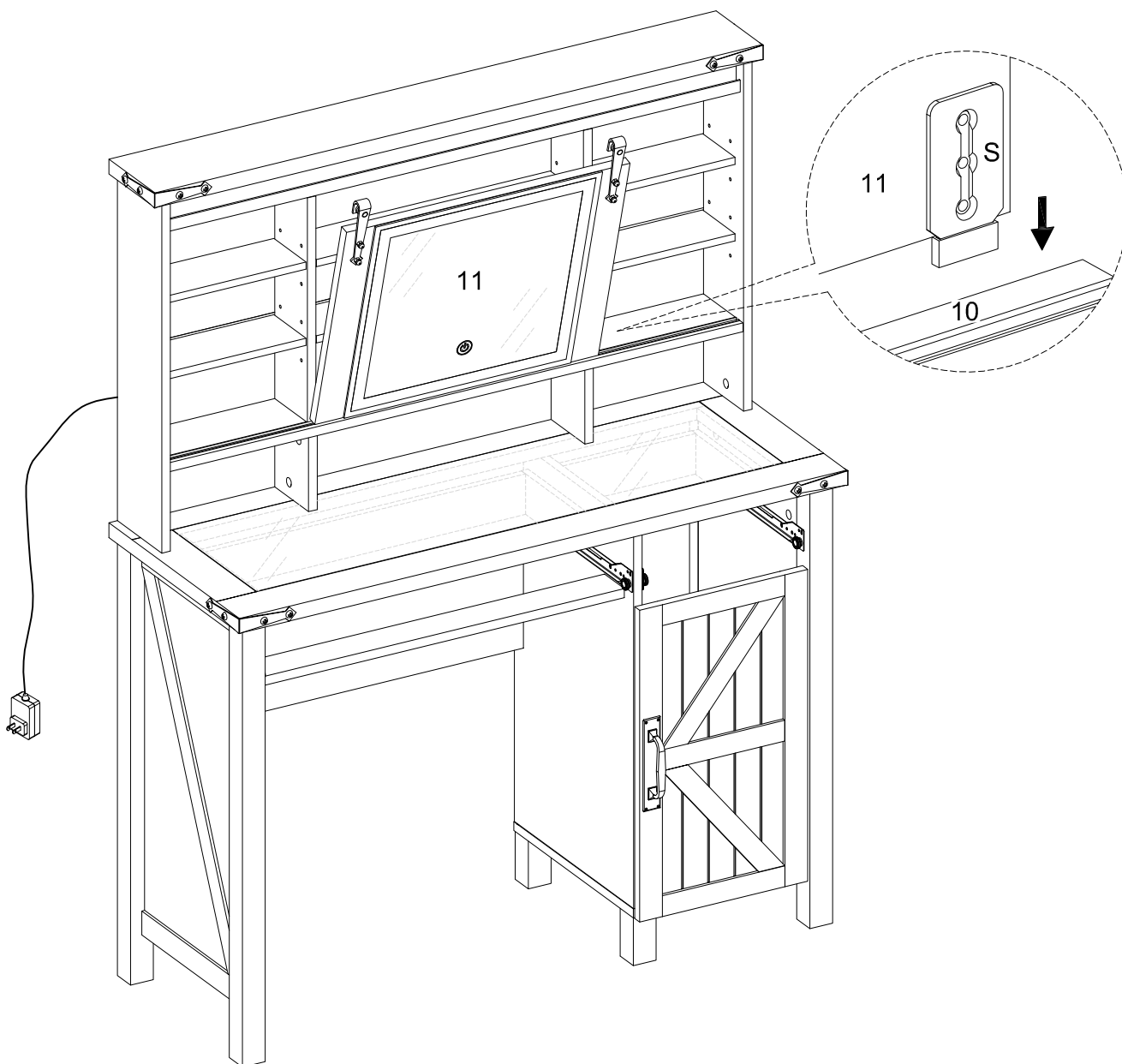
Step 36



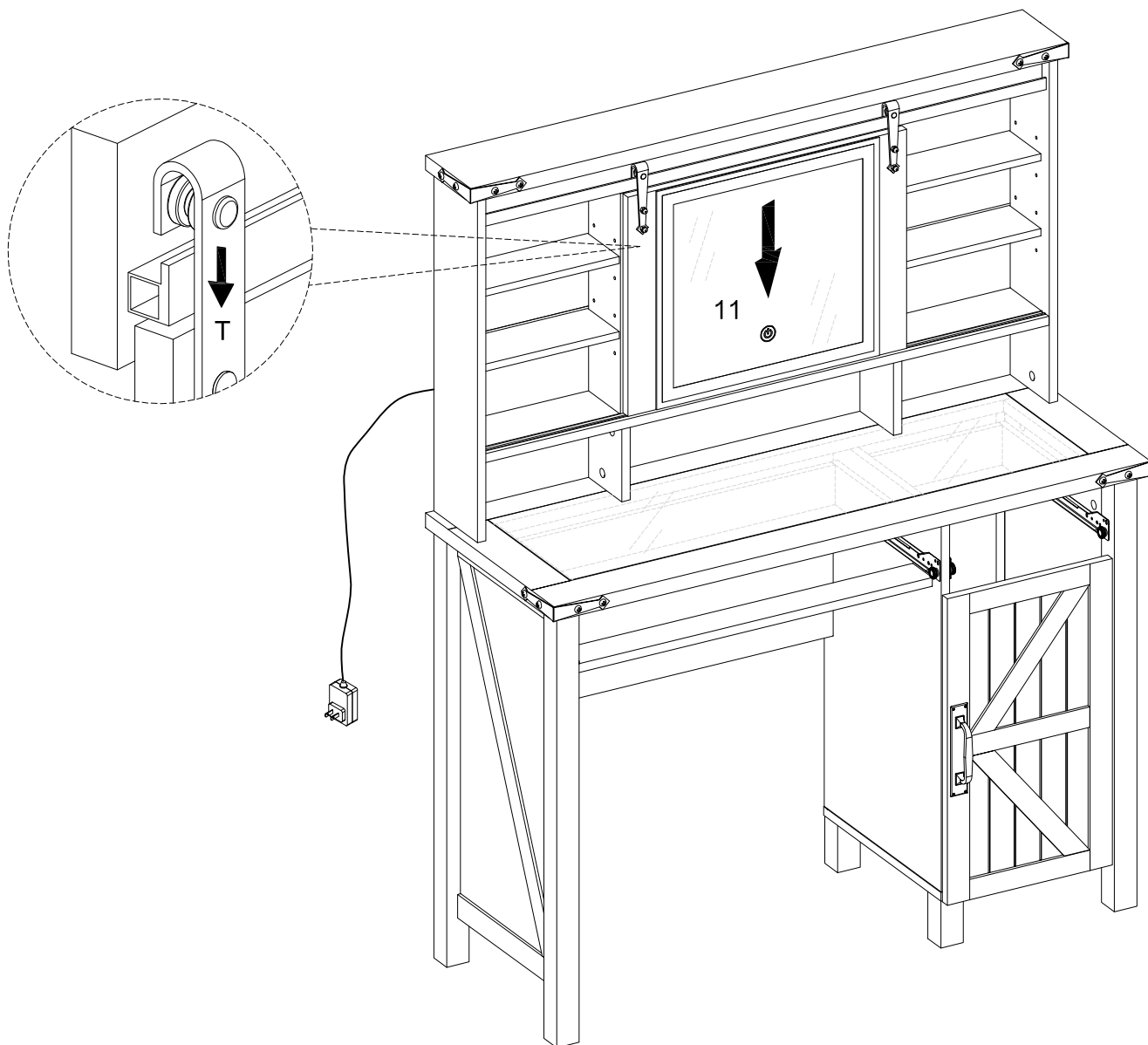
Step 37



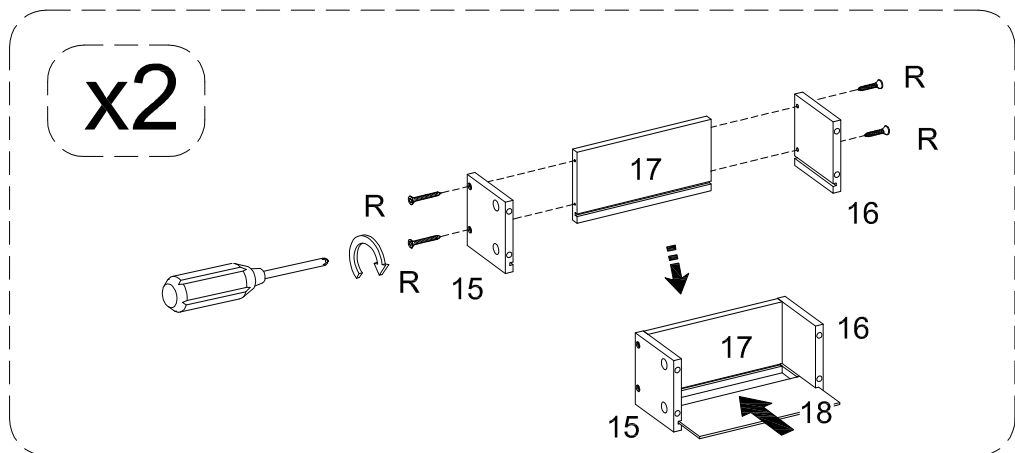
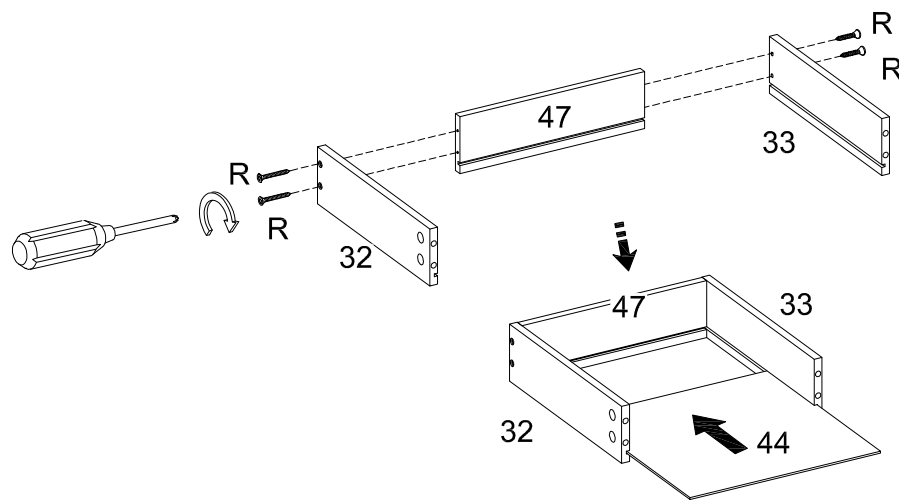
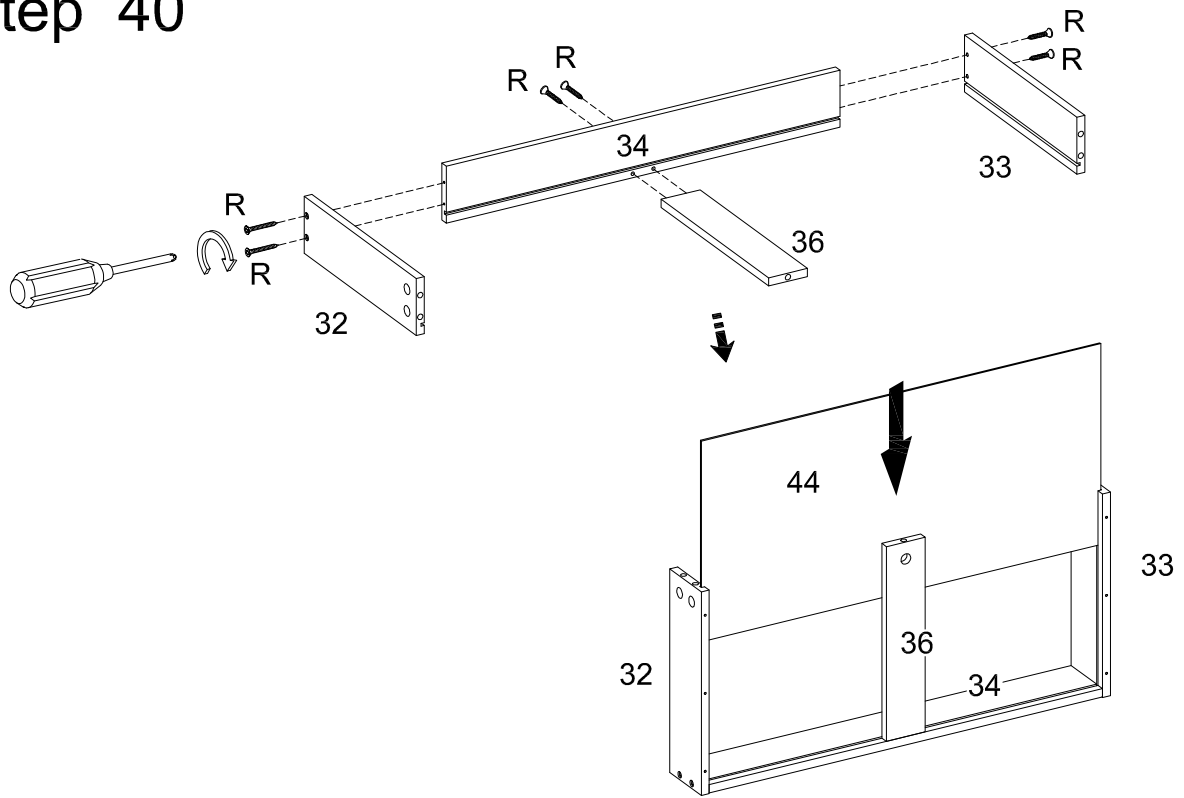
Step 38



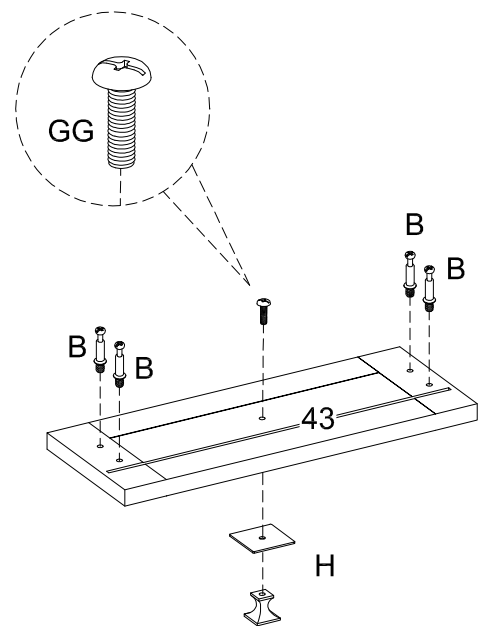
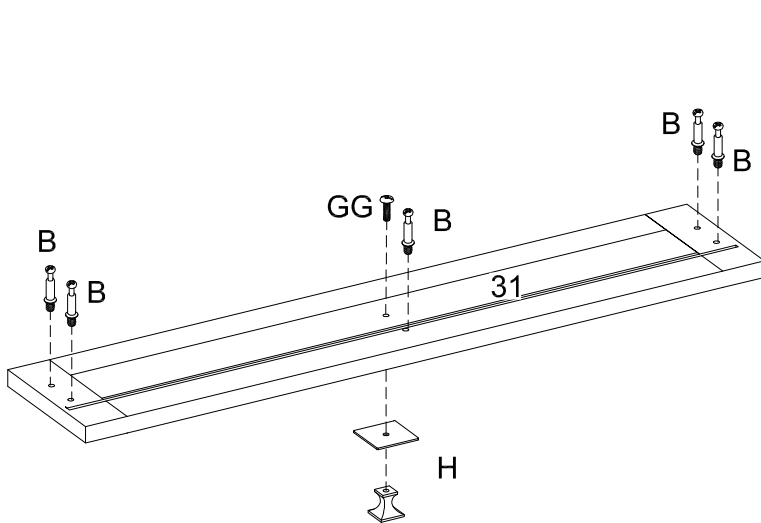
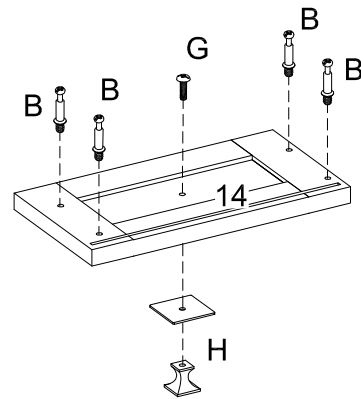
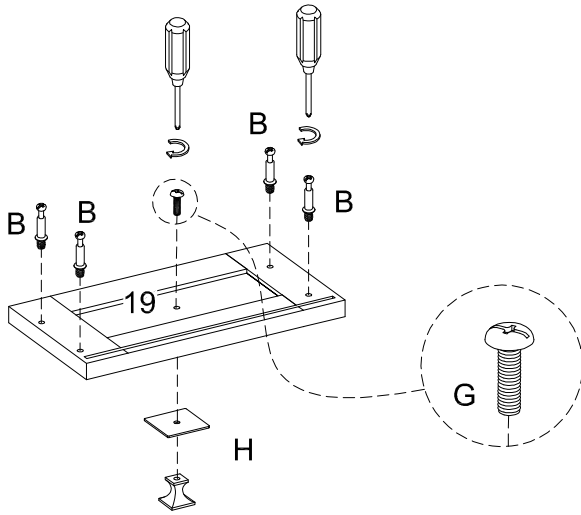
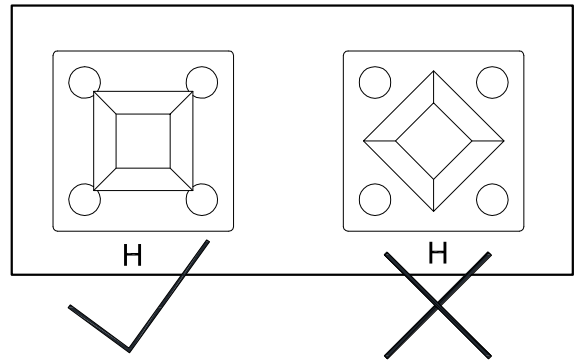
Step 39



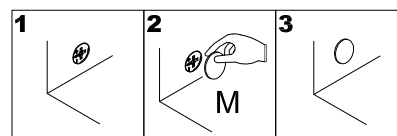
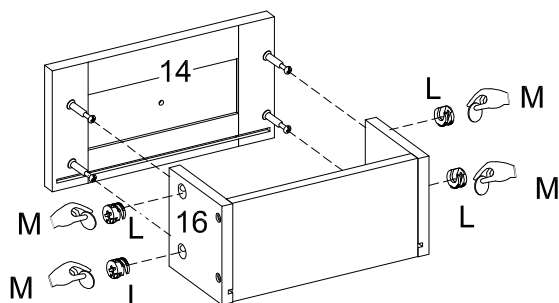
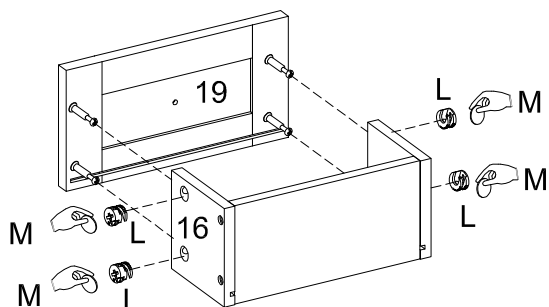
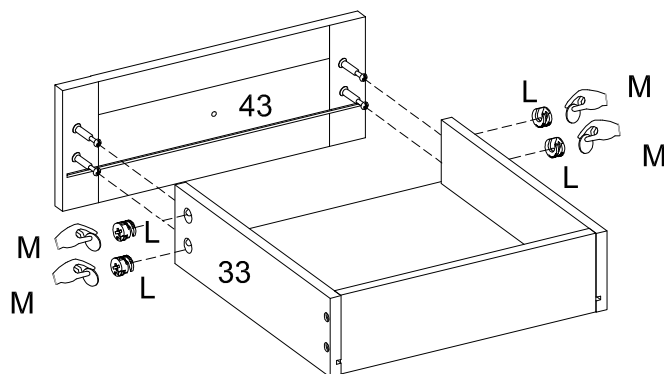
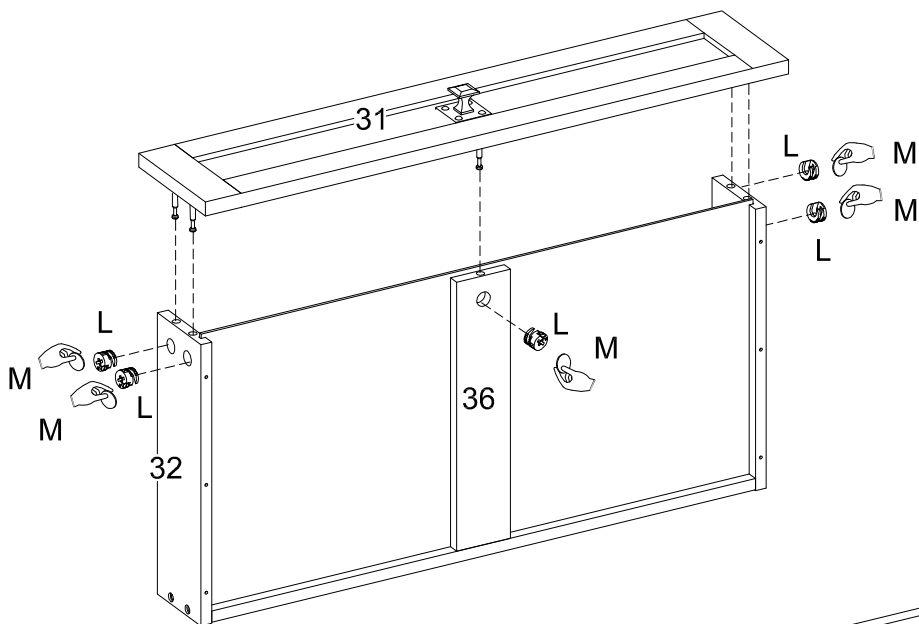
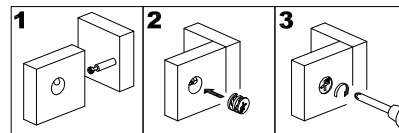
Step 40



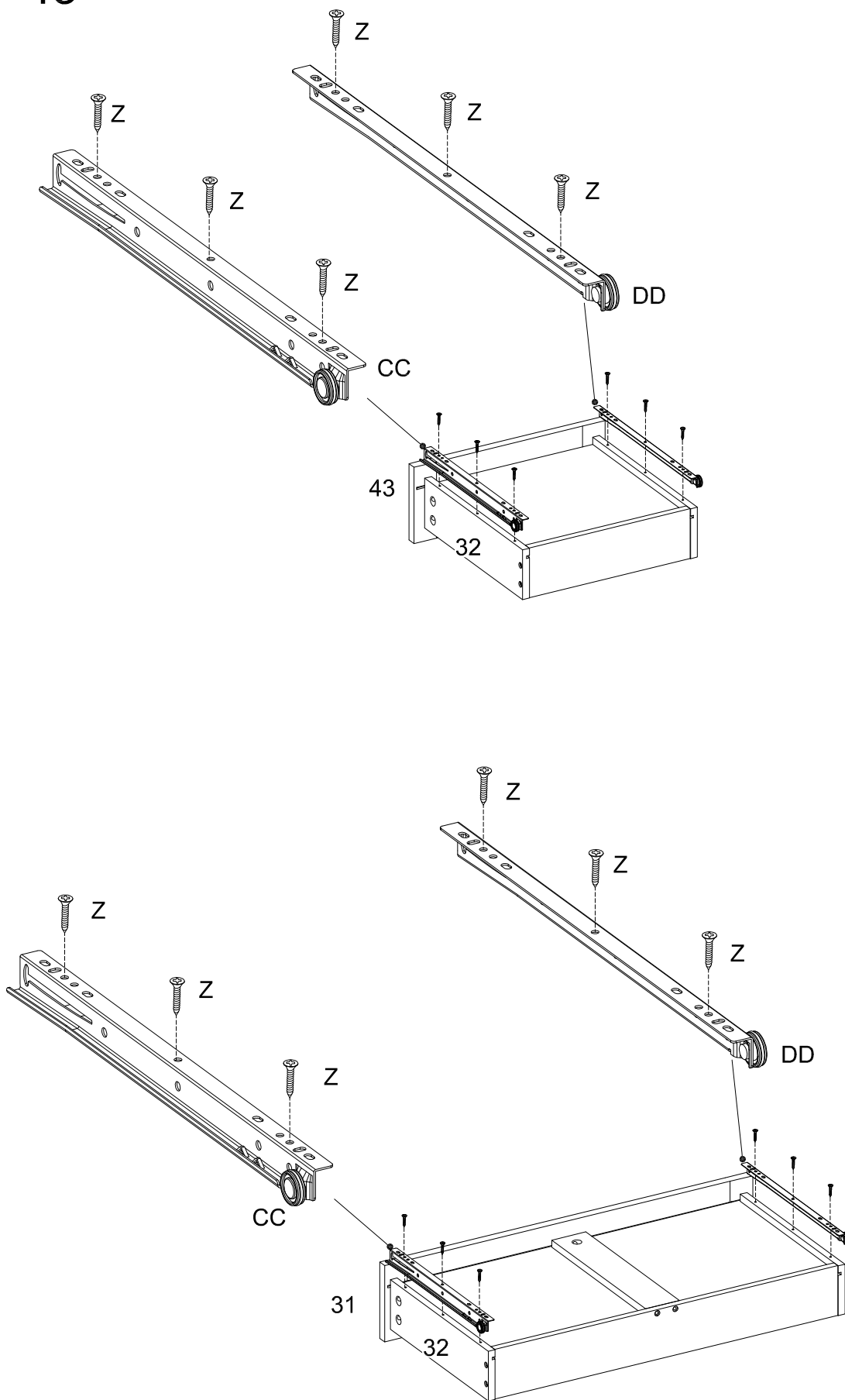
Step 41



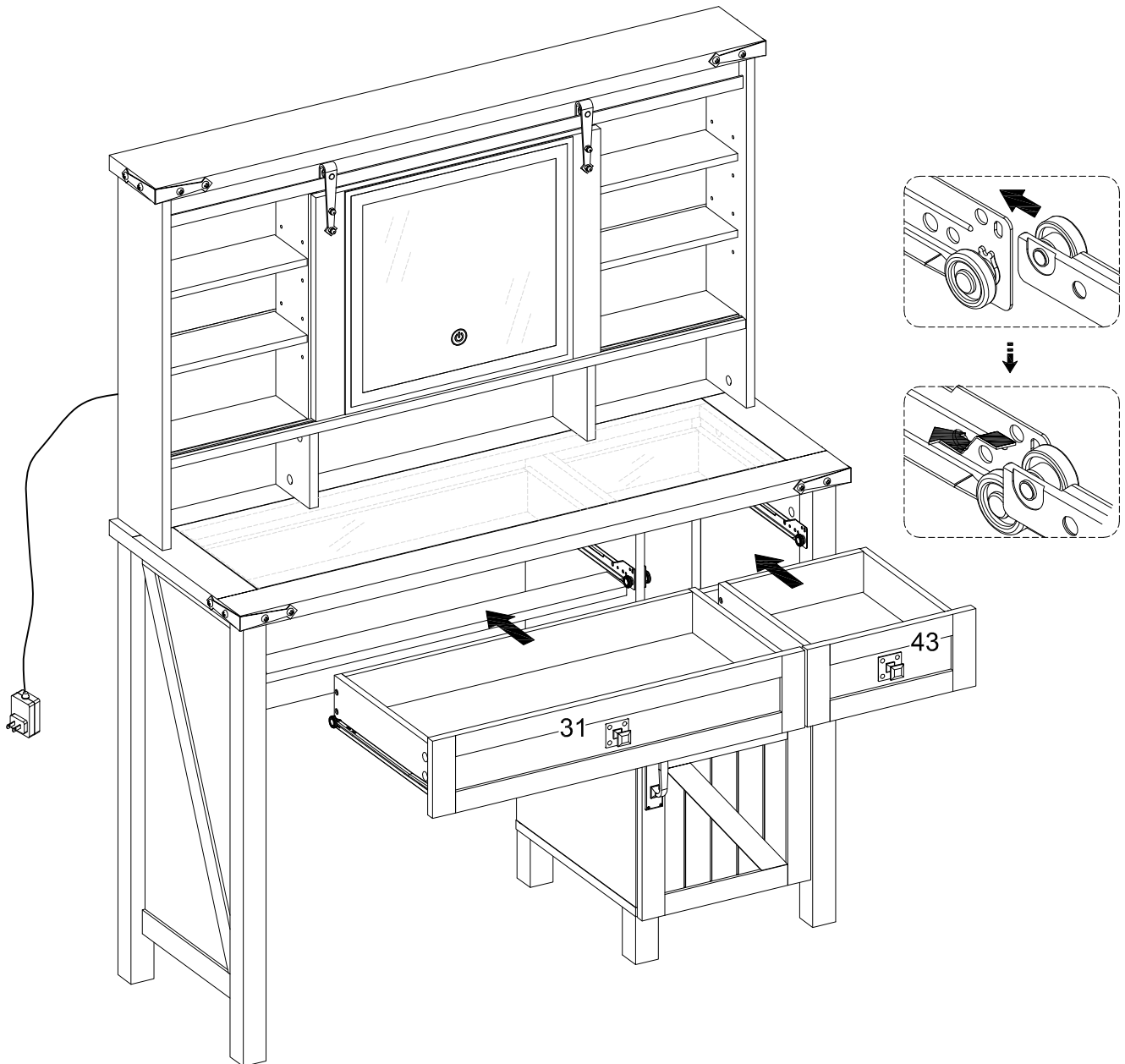
Step 42



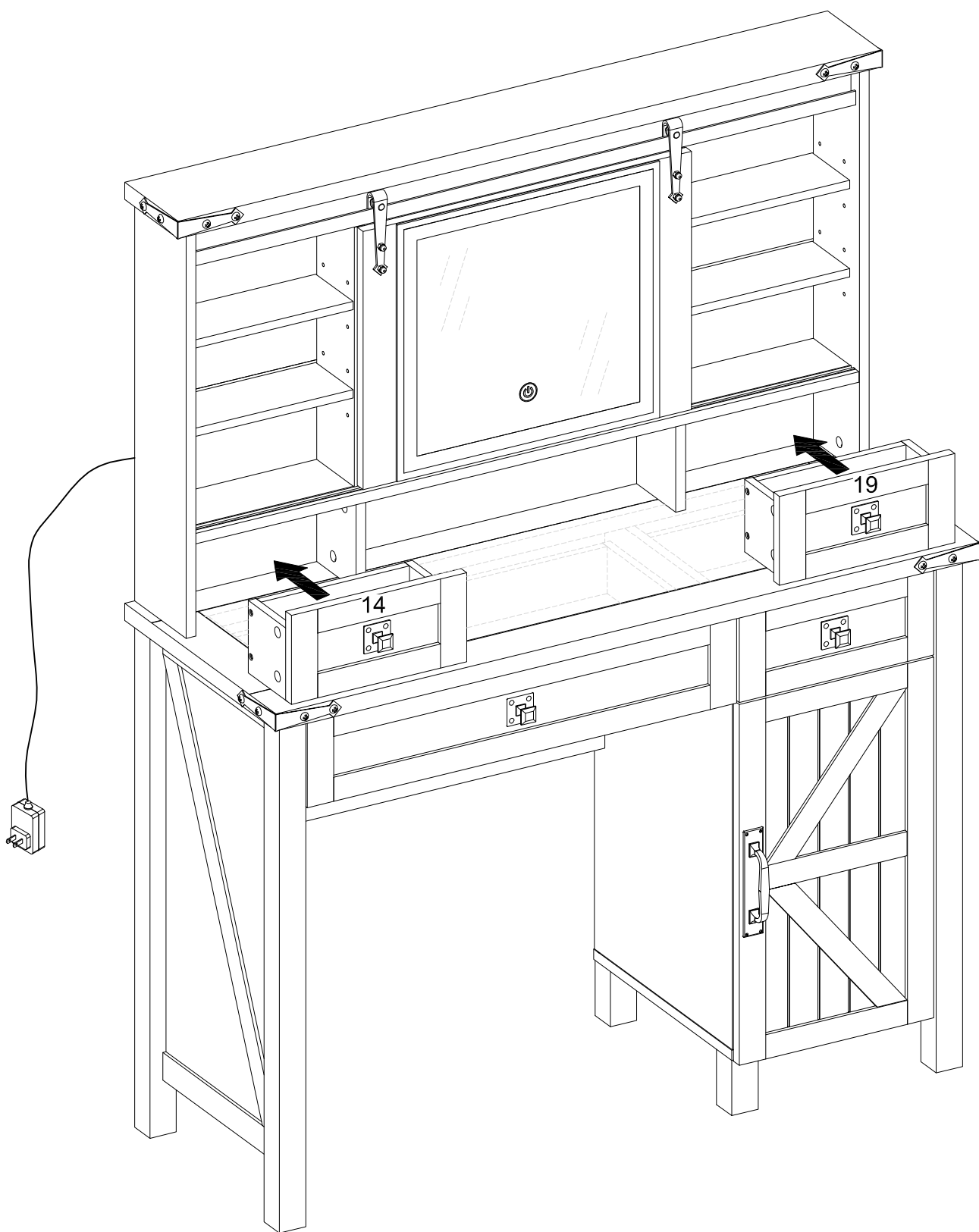
Step 43



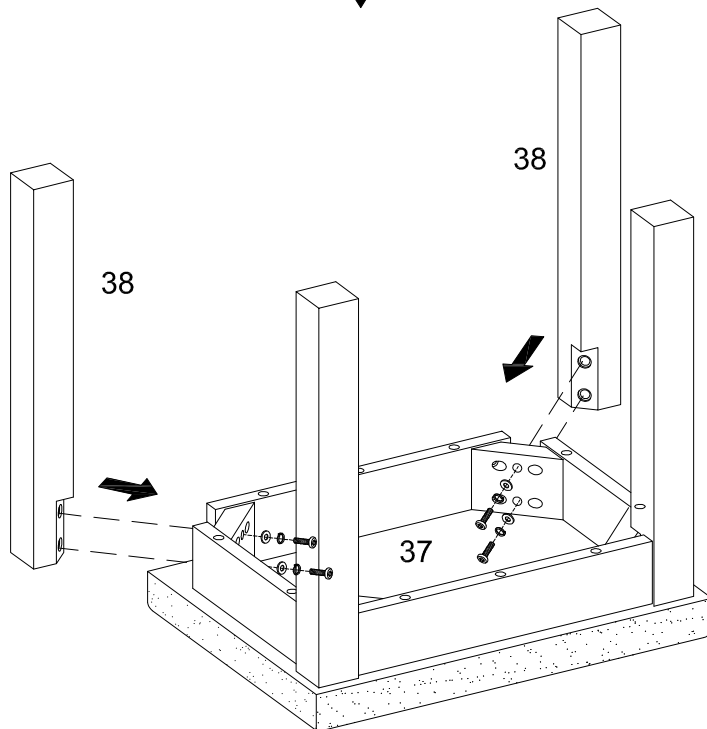
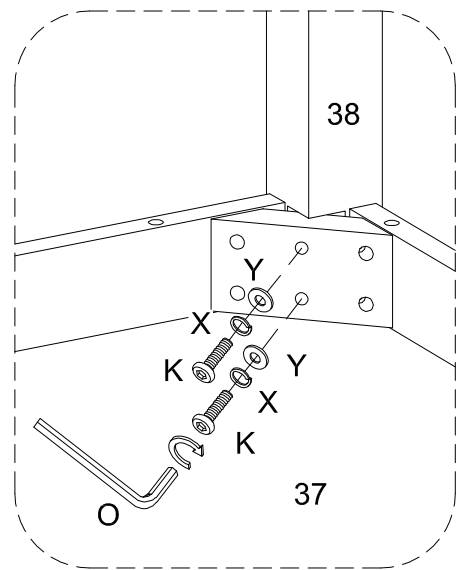
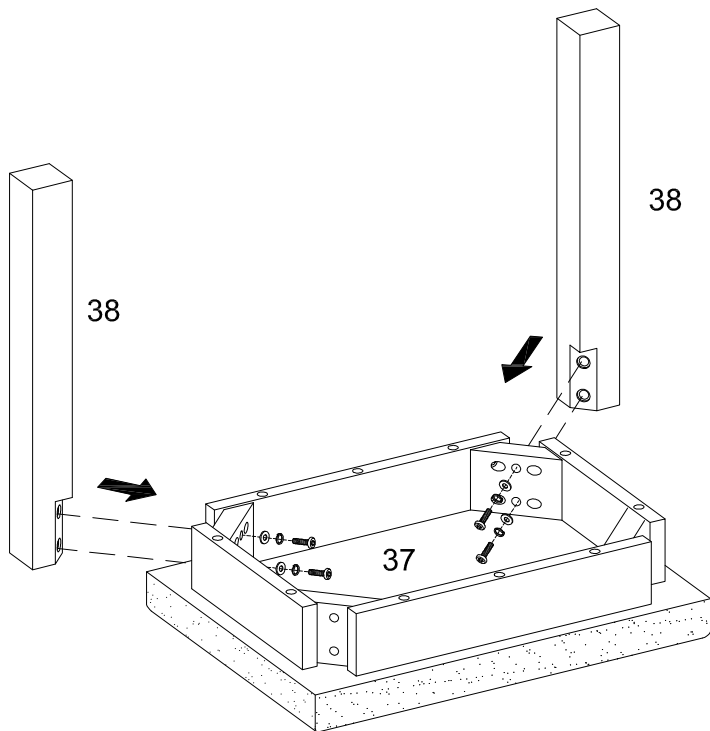
Step 44



Step 45

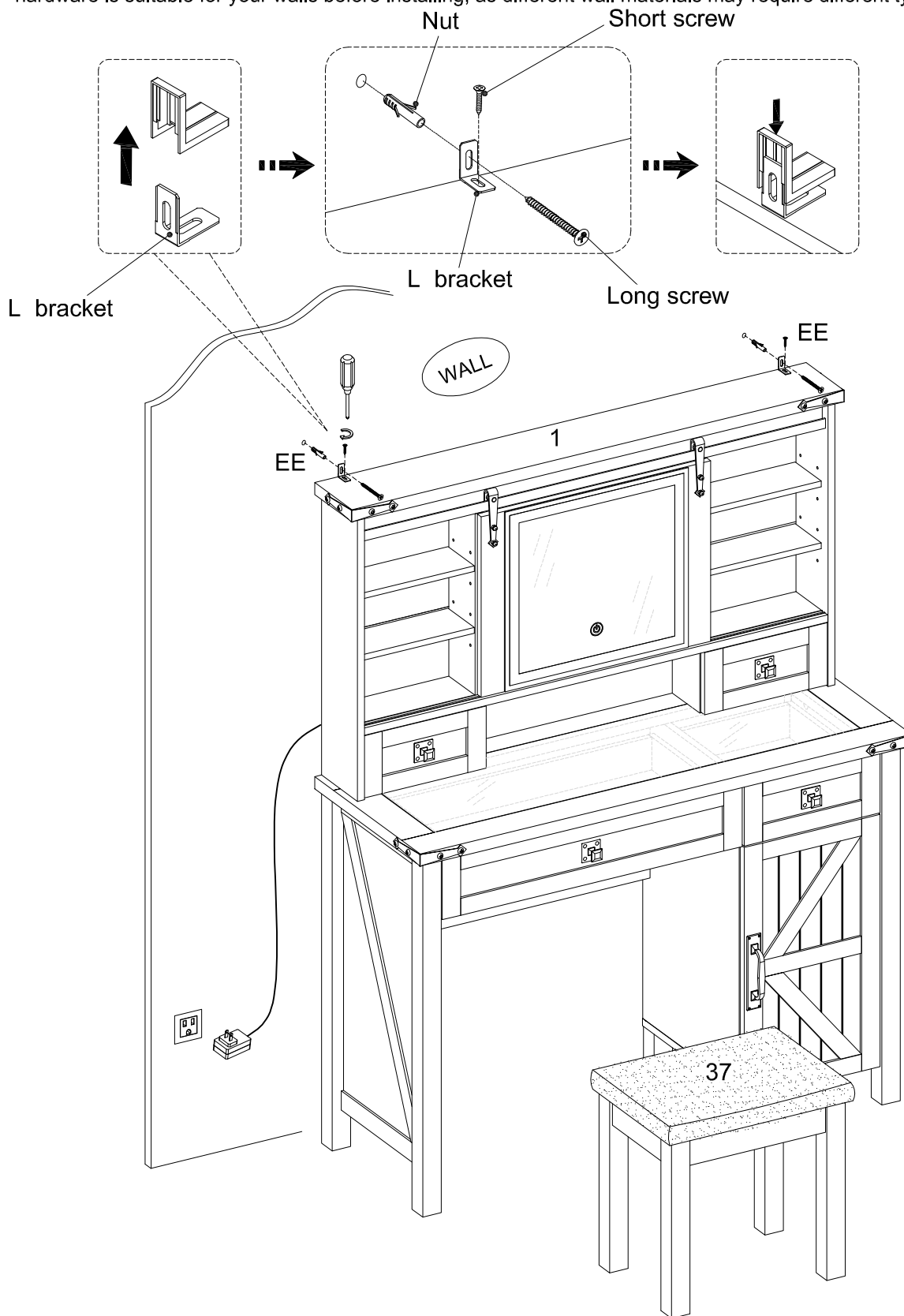


Step 46



Step 47

Serious or fatal injuries can occur from furniture tipping over. To prevent the furniture from tipping over we recommend that it is permanently fixed to the wall. Wall anchor and hardware are included with this product. Please make sure hardware is suitable for your walls before installing, as different wall materials may require different types of anchors.



- 1
- 2
- 3

Final Assembly