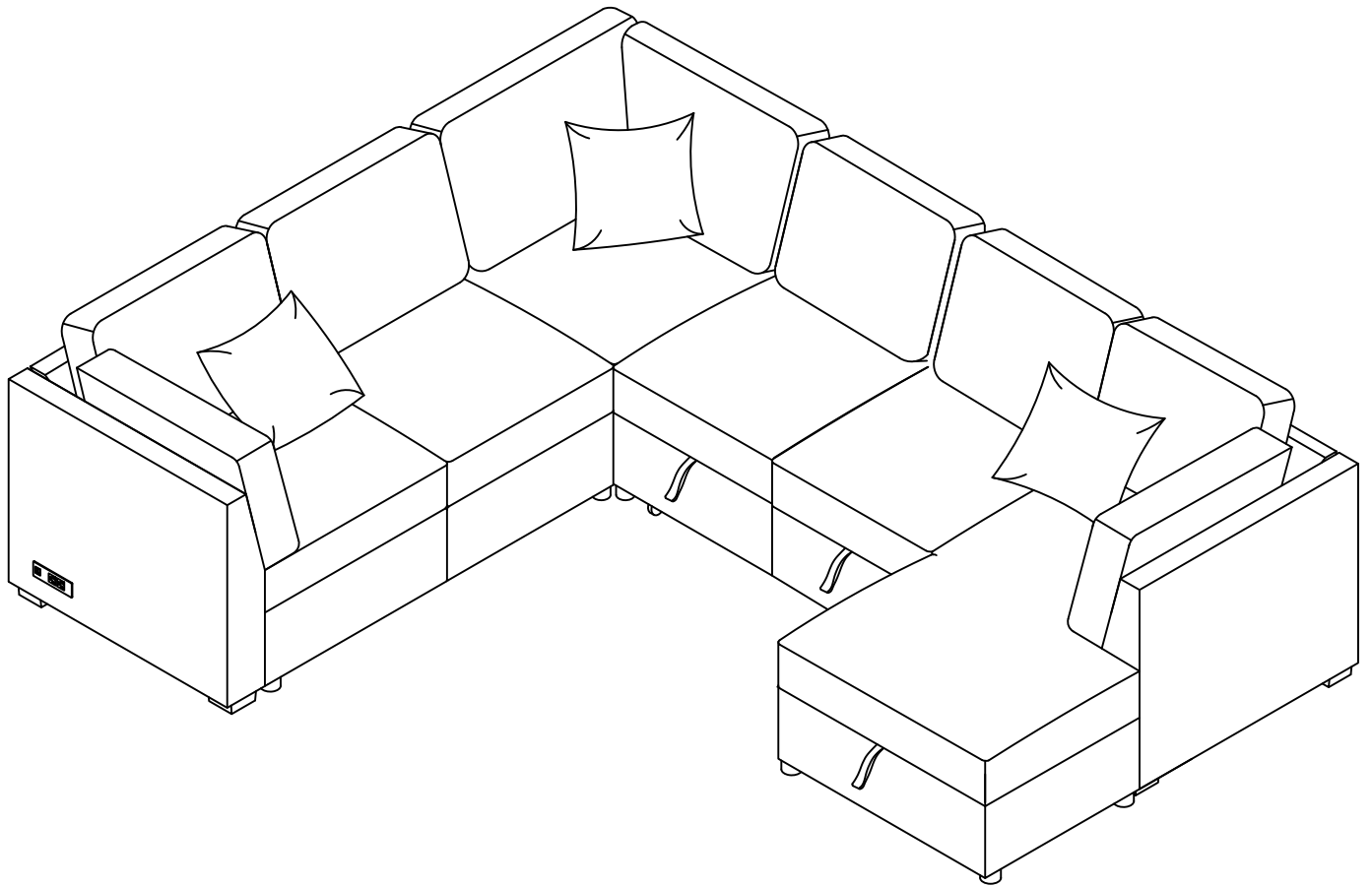















ASSEMBLY INSTRUCTION






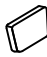


COMPONENT LIST

NO.	DRAWING	QTY	DESCRIPTION
A		1	Loveseat Body
F		2	Back Cushion
O		4	Square Leg
P		8	Bolt
Q		1	Allen key
B		4	Round legs


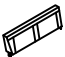



COMPONENT LIST

NO.	DRAWING	QTY	DESCRIPTION
D		1	Loveseat Body
S		2	Small Cushion
F		2	Back Cushion
I		1	Short Corner Backrest
J		1	Long Corner Backrest
R		1	Pillows
B		4	Round legs



COMPONENT LIST

NO.	DRAWING	QTY	DESCRIPTION
H		1	Corner Frame
E		1	Chaise Backrest
F		1	Back Cushion
K		1	Long Corner Back Cushion
L		1	Short Corner Back Cushion
B		4	Round legs

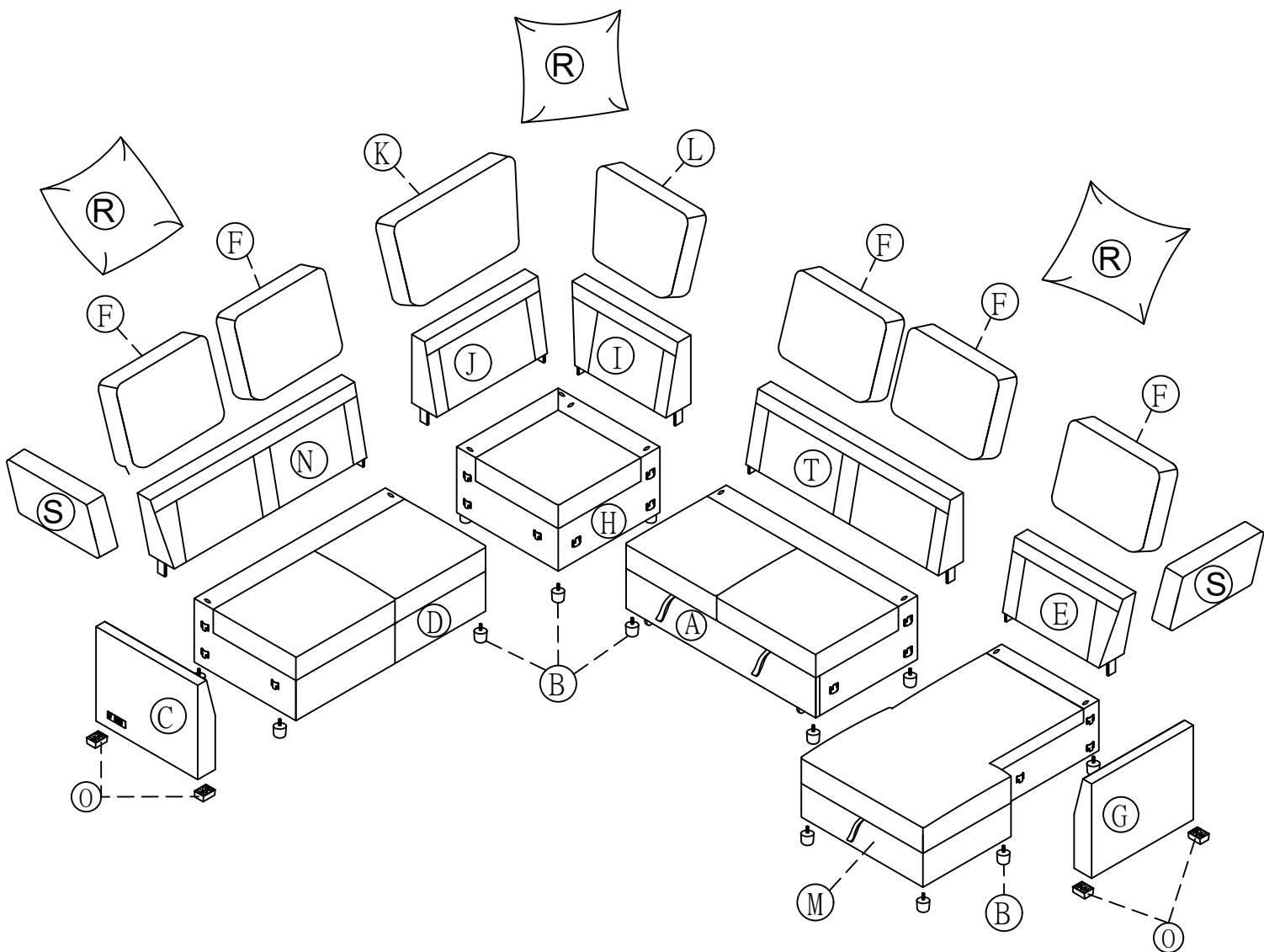
COMPONENT LIST

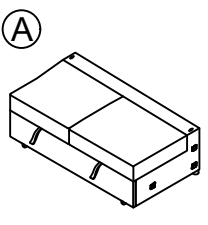
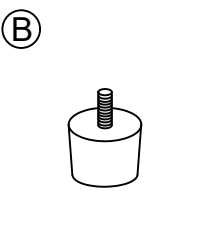
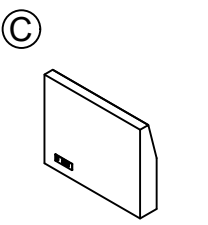
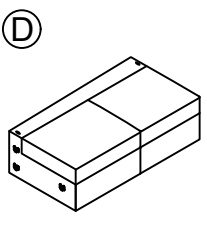
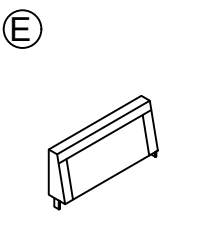
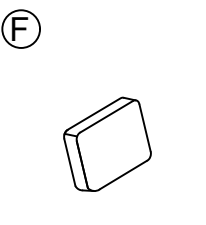
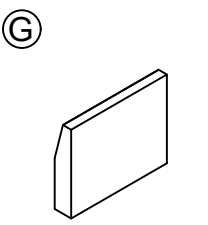
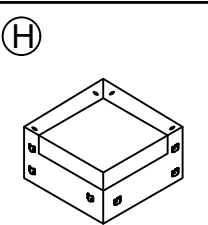
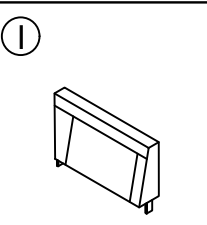
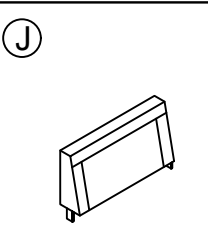
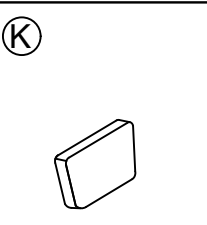
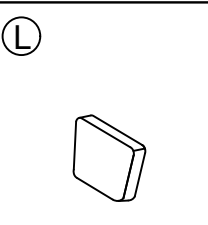
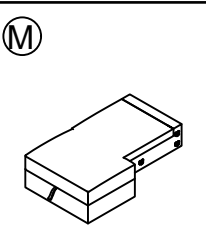
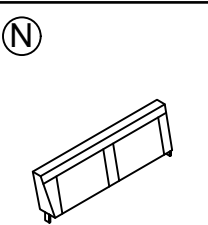
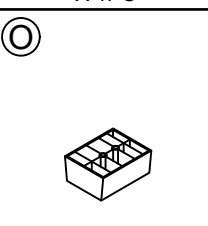
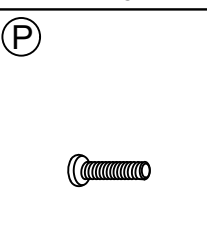
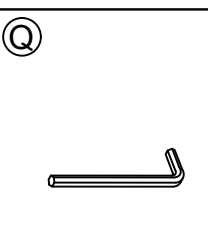
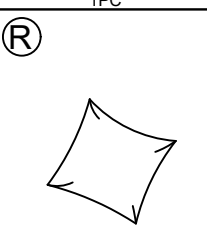
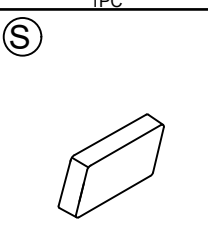
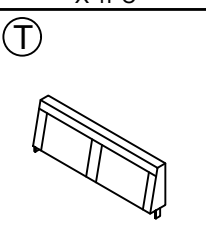
NO.	DRAWING	QTY	DESCRIPTION
M		1	Chaise Body
N		1	Loveseat Backrest
T		1	Loveseat Backrest
B		5	Round legs
R		2	Pillows

COMPONENT LIST

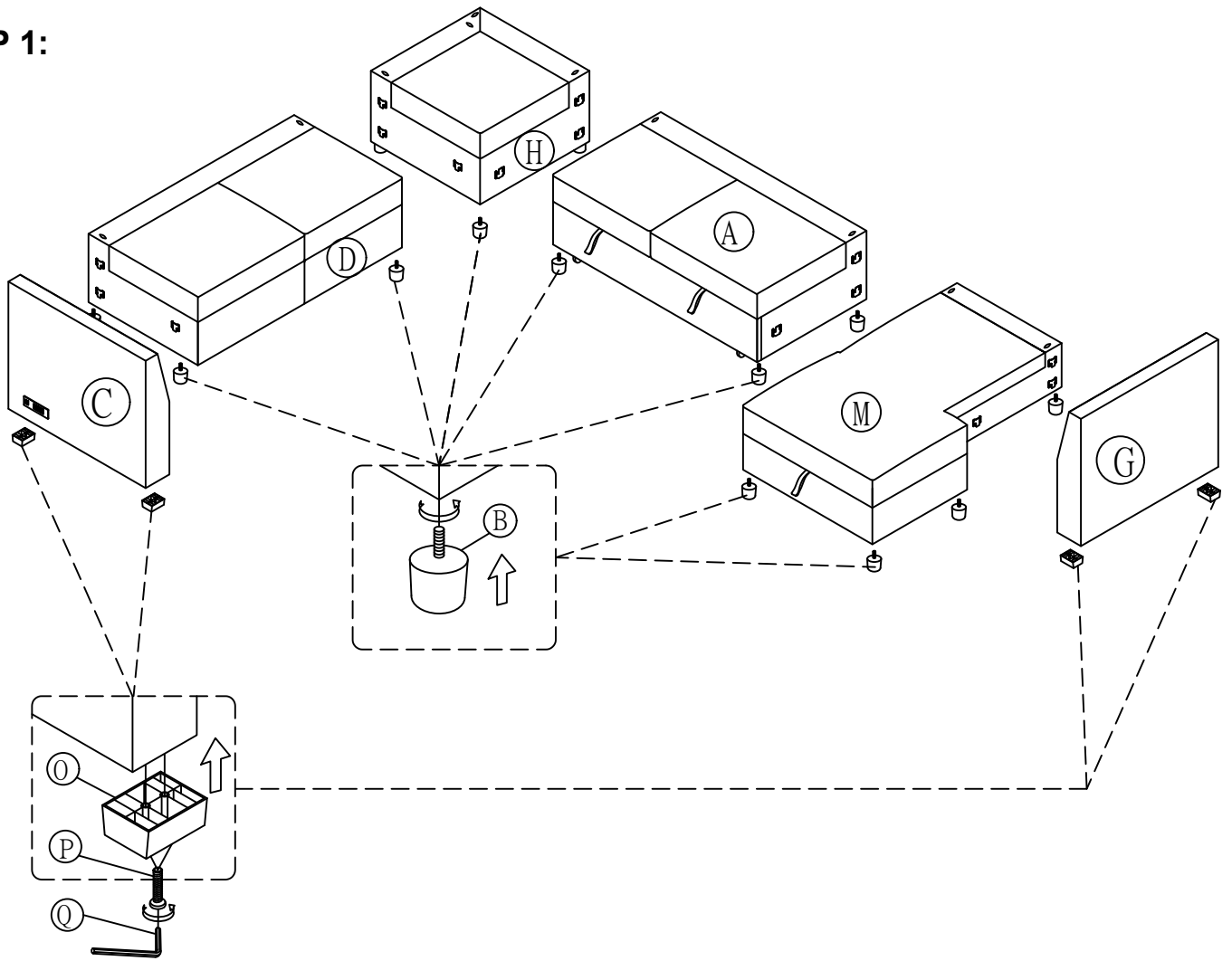
NO.	DRAWING	QTY	DESCRIPTION
C		1	Left Arm
G		1	Right Arm

PARTS LIST

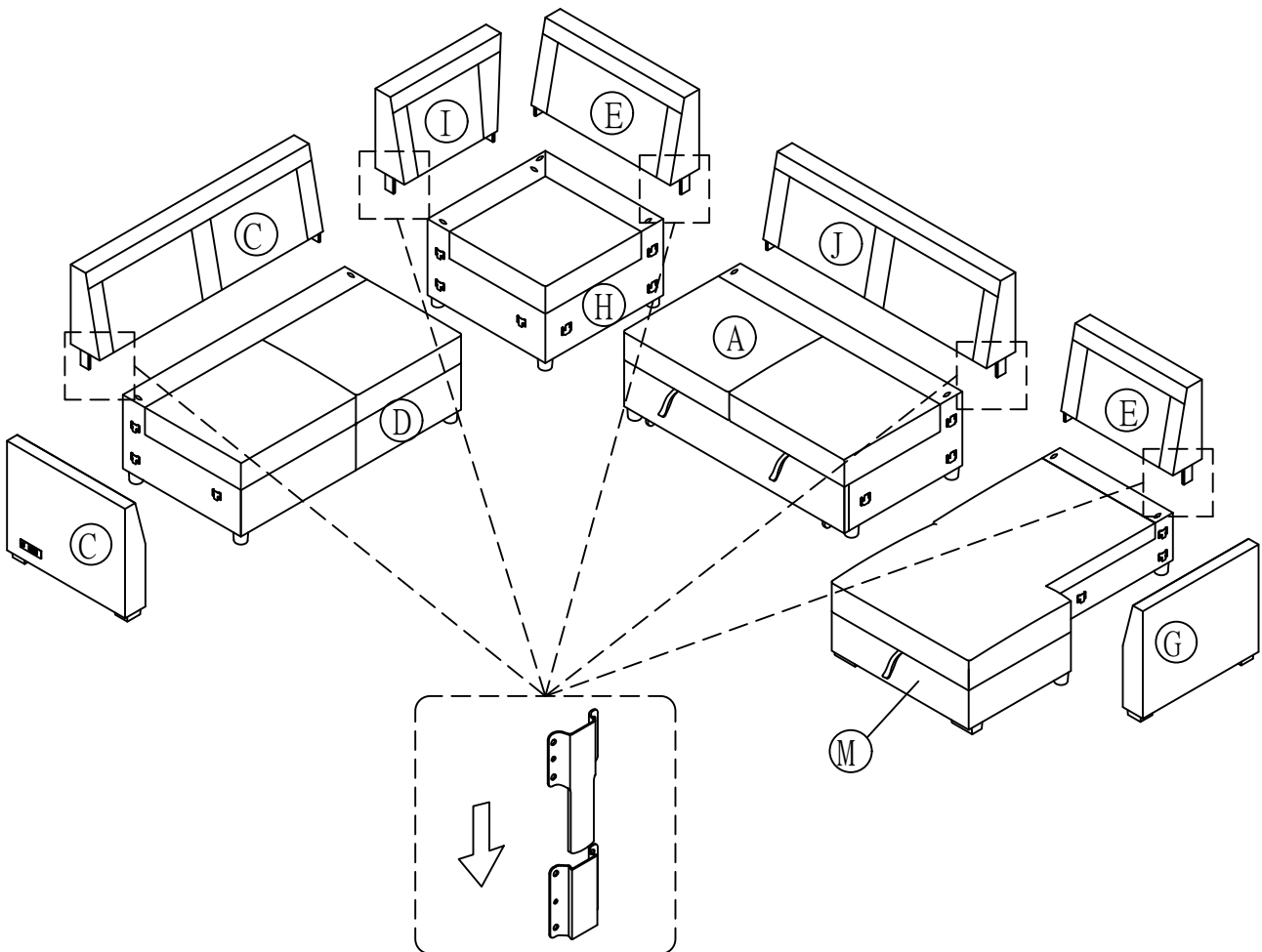


						
Loveseat Body X 1PC	Round legs X 17PCS	Left Arm X 1PC	Loveseat Body X 1PC	Chaise Backrest X 1PC	Back Cushion X 5PCS	Right Arm X 1PC
						
Corner Frame X 1PC	Short Corner Backrest X 1PC	Long Corner Backrest X 1PC	Long Corner Back Cushion X 1PC	Short Corner Back Cushion X 1PC	Chaise Body X 1PC	Loveseat Backrest X 1PC
						
Square Leg X 2PCS	Bolt Ø5/16"x40MM X 4 PCS	Allen key X 1PC	Pillows x3pcs	Small Cushion x 2pcs	Loveseat Backrest x 1pc	

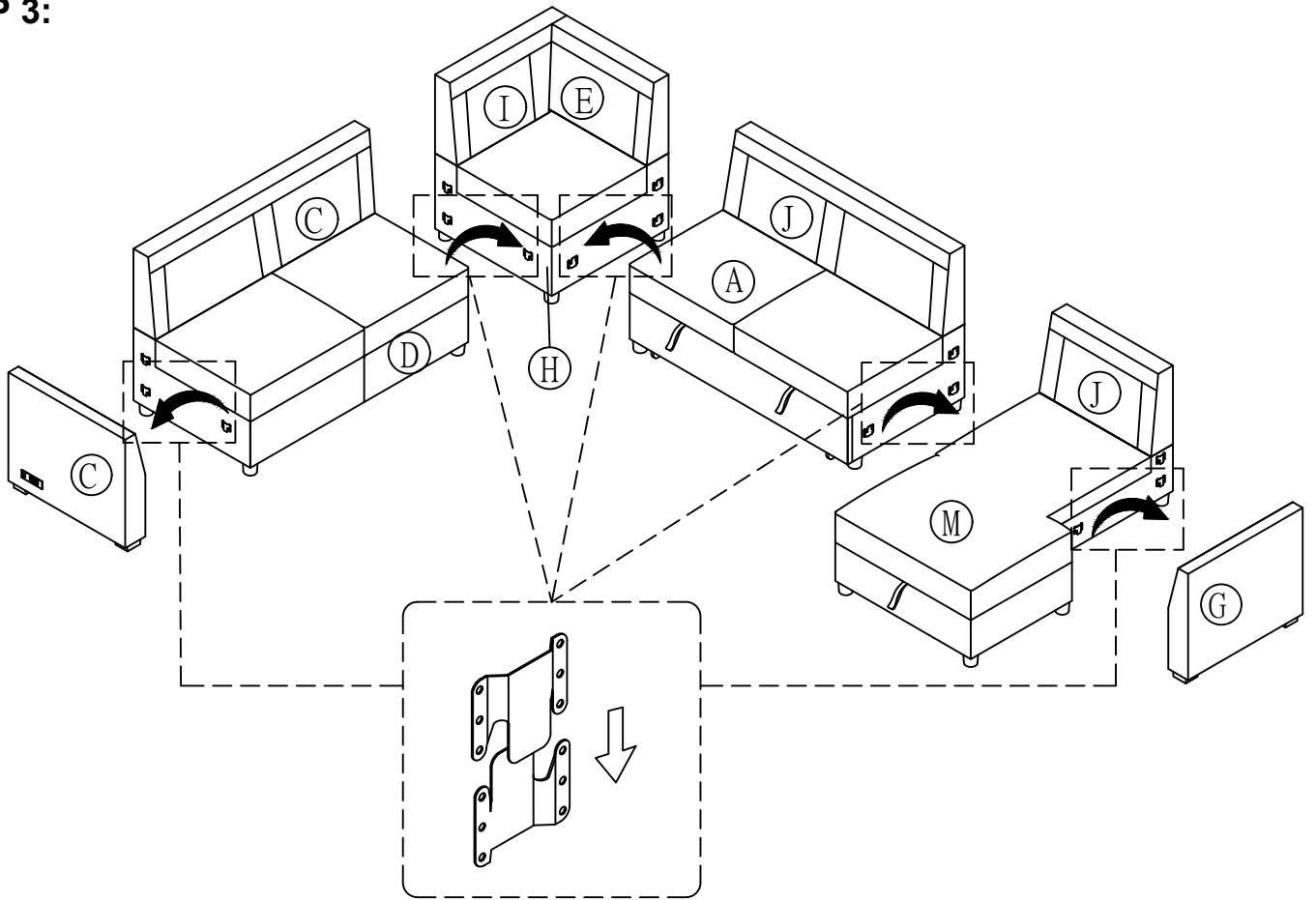
STEP 1:



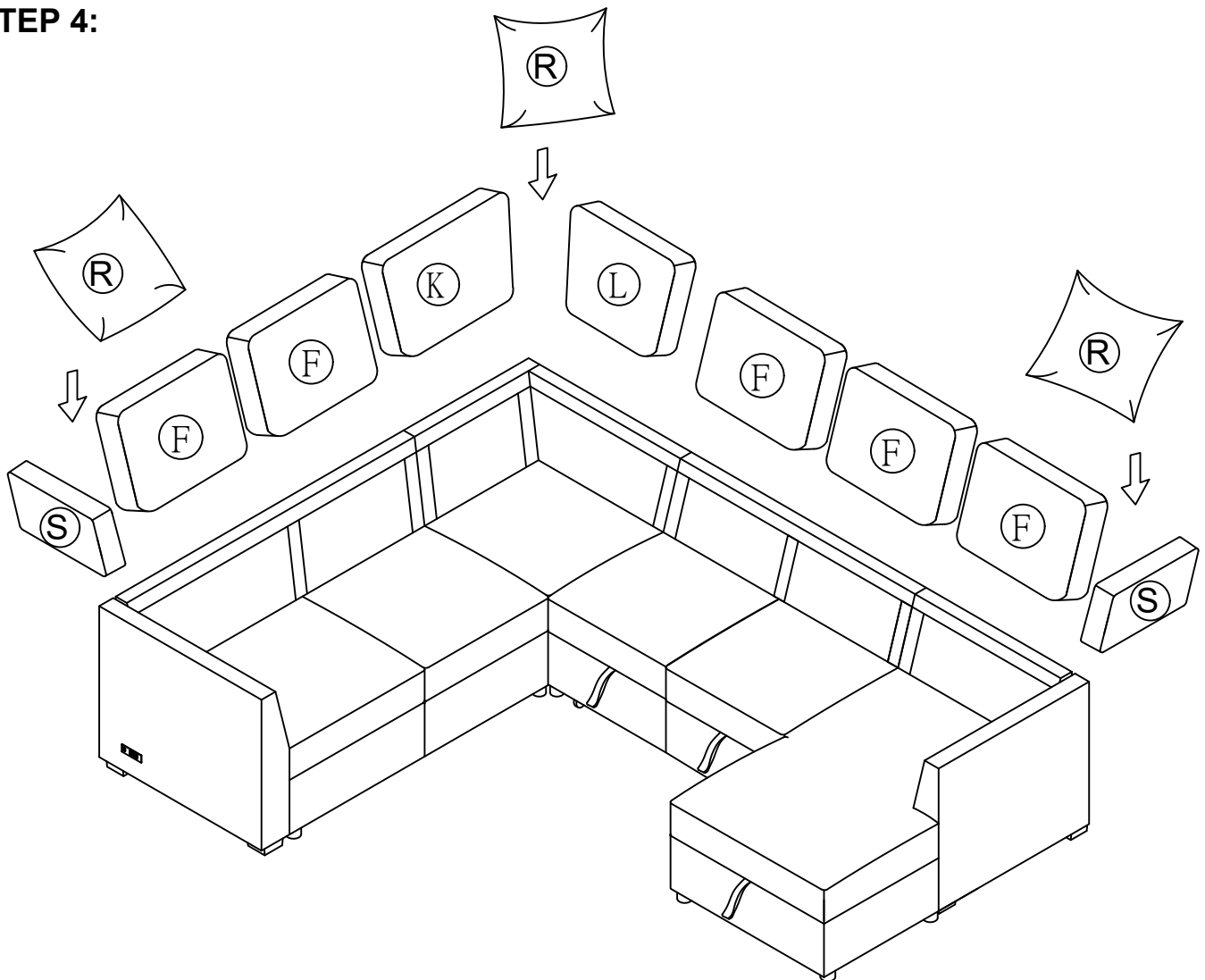
STEP 2:



STEP 3:



STEP 4:



Helpful Hints

- Sectional sofa can transform into a sleeper
- Move your new furniture carefully, with two people lifting and carrying the unit to its new location.
- Your furniture can be disassembled and reassembled to move.
- Clean the product with a soft damp cloth. DO NOT use harsh chemicals or abrasive cleaners.

COMPLETED

