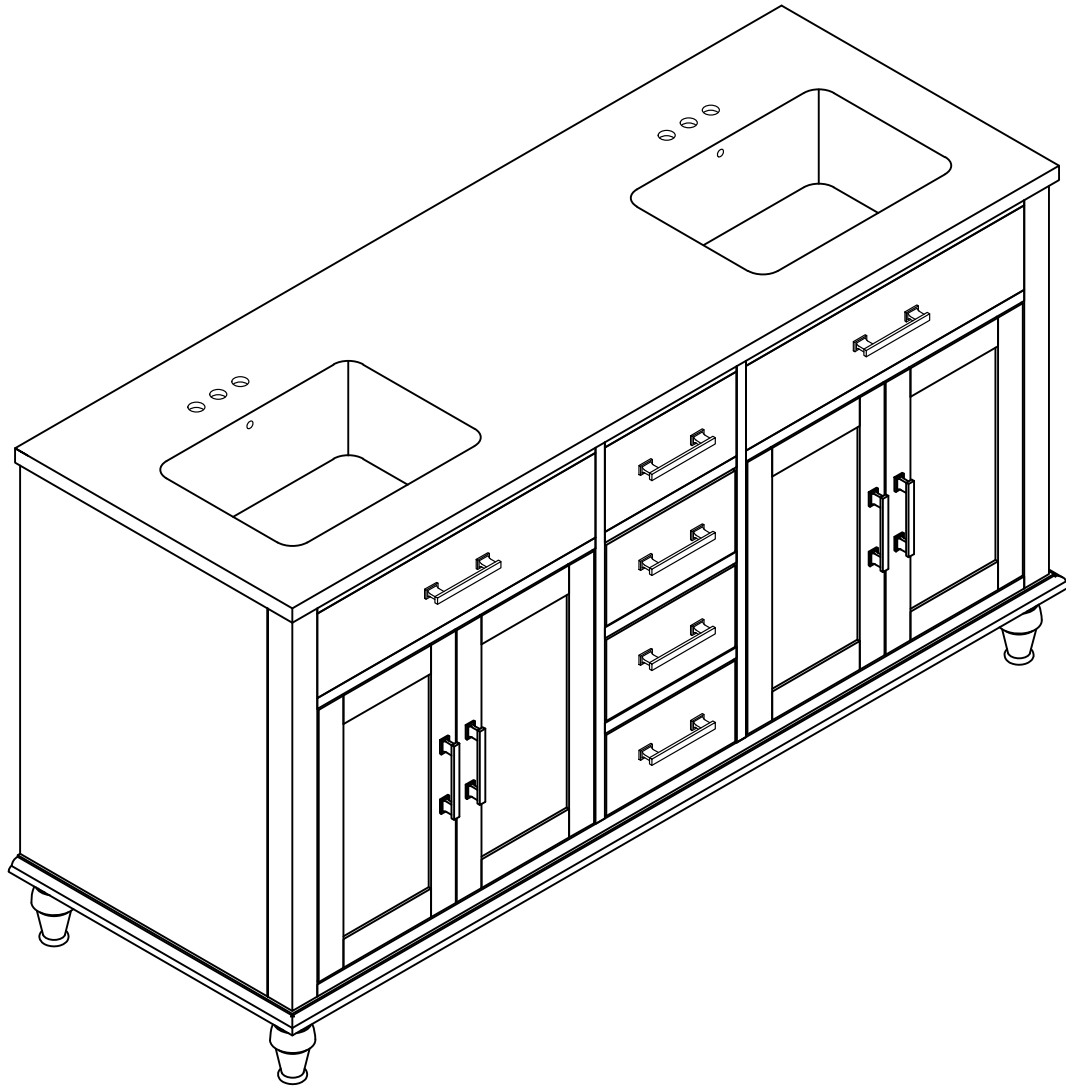


60in Bathroom Vanity

Assembly Instructions - Please keep for future reference



Dimensions

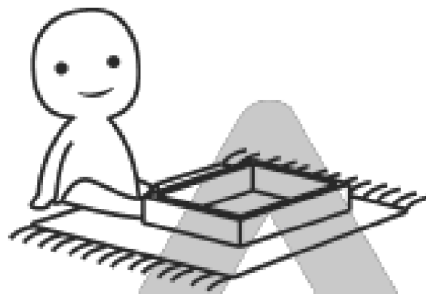
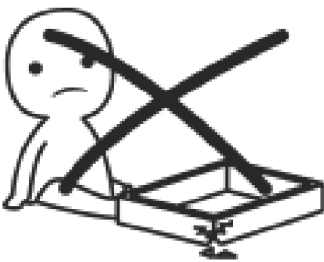
Width - 60inch
Depth - 22inch
Height - 34inch

Important – Please read these instructions fully before starting assembly



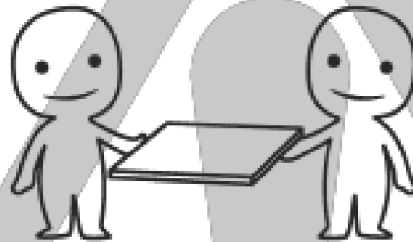
IMPORTANT INFORMATION!

please read the entire manual before starting to assemble and/or using this product. follow the manual thoroughly and keep it for further reference.



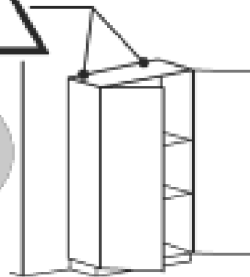
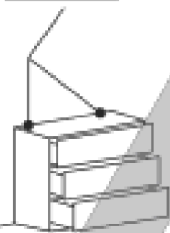
AVOID SCRATCHES!

In order to avoid scratching this furniture should be assembled on a soft layer—could be a rug.



IMPROVE EFFICIENCY !

Try to find a partner to install with you, which can speed up the installation efficiency and shorten the time.



ANTI-TOPPLE WARNING !

Overtipped furniture can cause serious or fatal crush injuries. To prevent tipping over, be sure to use the wall attachment, if not included with this product. Please purchase the wall attachment that fit your wall. If unsure, seek professional advice. Please read and follow each step of the instructions carefully.



Safety and Care Advice

Important – Please read these instructions fully before starting assembly

- Check you have all the components and tools listed on the following pages.
- Remove all fittings from the plastic bags and separate them into their groups.
- Keep children and animals away from the work area, small parts could choke if swallowed.
- Make sure you have enough space to layout the parts before starting.

- During assembly do not stand or put weight on the product, this could cause damage.
- Assemble the item as close to its final position (in the same room) as possible.
- Assemble on a soft level surface to avoid damaging the unit or your floor.
- Parts of the assembly will be easier with 2 people.



- To reduce the likelihood of damaging your product please ensure that your power drill is set on a low torque setting.

Care and maintenance

- Only clean using a damp cloth and mild detergent, do not use bleach or abrasive cleaners.
- From time to time check that there are no loose screws on this unit.
- This product should not be discarded with household waste. Take to your local authority waste disposal centre.

Handy Hints

- Assemble all parts and bolts loosely during assembly, only once the product is complete should you fully tighten the bolts
- Regularly check and ensure That all bolts and fittings are tightened properly.

WARNING

In order to help prevent overturning – please follow these instructions

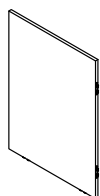
To help prevent product toppling over please follow the below steps:-

Use the anti tip stap or wall fixing method provided (if applicable)
Do not allow children to climb or hang on the furniture
Do not open more than one drawer at a time
Do not place heavy items in the top drawers
Do not place heavy items on top of the furniture, unless the furniture has been designed for this purpose

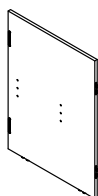
please note that only the anti tip strap is provided.
You will need to provide wall plugs and screws applicable for your wall type

Components - Panels

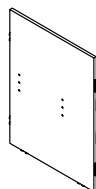
Please check you have all the panels listed below



1 (689*500*14mm x1)



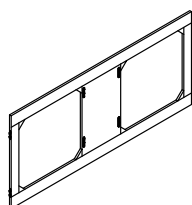
2 (689*500*14mm x1)



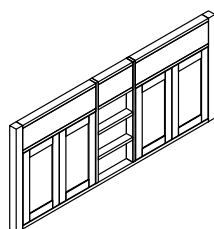
3 (668*500*14mm x1)



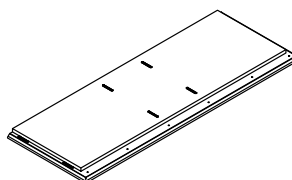
4 (668*500*14mm x1)



5 (1500*668*14mm x1)



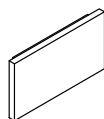
6 (1528*689*50mm x1)



7 (1574*573*41mm x1)



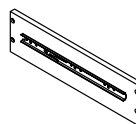
8 (126*65*65mm x5)



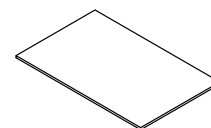
9 (260*142*27mm x3)



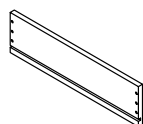
10 (216*100*12mm x3)



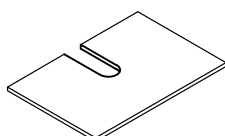
11 (355*100*12mm x3)



12 (343*228*5mm x3)



13 (355*100*12mm x3)

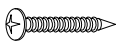
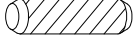


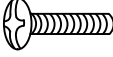

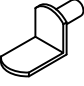





14 (592*400*14mm x2)

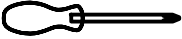
Components - Fittings

Please check you have all the hardware listed below

Note: The quantities below are the correct amount to complete the assembly. In some cases more fittings may be supplied than are required.

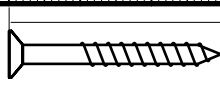
A  $\varnothing 8 \times 4 \times 32 \text{mm} \times 30$	B  $\varnothing 6 \times 30 \text{mm}$ Wood dowel x 12	C  Handle x 10
D  $\varnothing 5/32" \times 35 \text{mm}$ Handle Screw x 6	E  $\varnothing 5/32" \times 15 \text{mm}$ Handle Screw x 6	F  $\varnothing 5/32" \times 25 \text{mm}$ Handle Screw x 8
G  Shelf pin x 8	H  $\varnothing 12 \times 55 \text{mm}$ Plastic stopper x 2	I  $\varnothing 5/32" \times 60 \text{mm}$ Flat head screw x 2
J  $\varnothing 1/4" \times 16 \times 1 \text{mm}$ Washer x 2		

Tools required

 Phillips screwdriver
(medium & large)

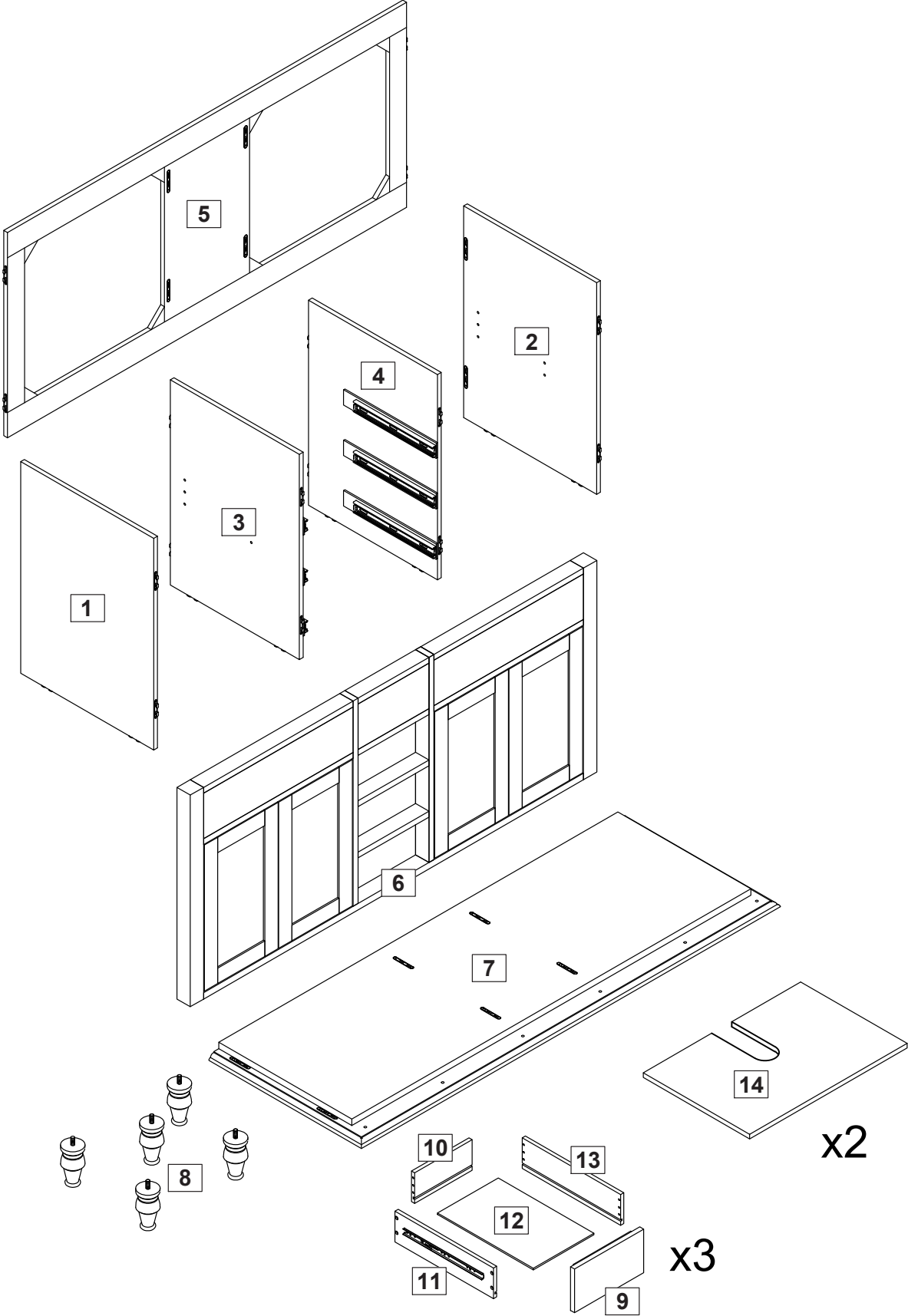
Ruler - Use this ruler to help correctly identify the screws

0 5 10 15 20 25 30 35 40 45 50 55 60 65 70 75 80 85 90 95 100 105 110 115 120 125 130 135 140 145 150 155 160 165 170



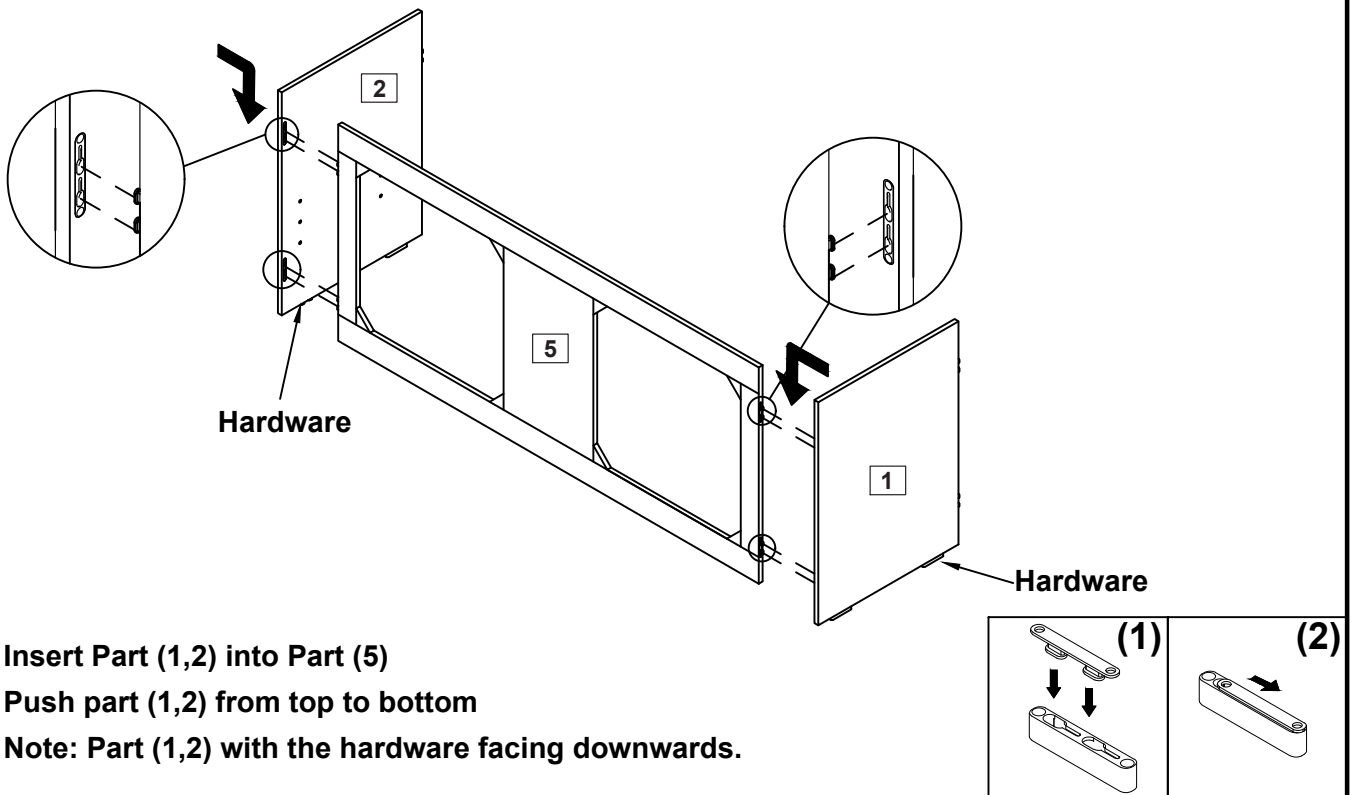
The screws length is measured from the head to the point (30mm screw shown).

Assembly Instructions

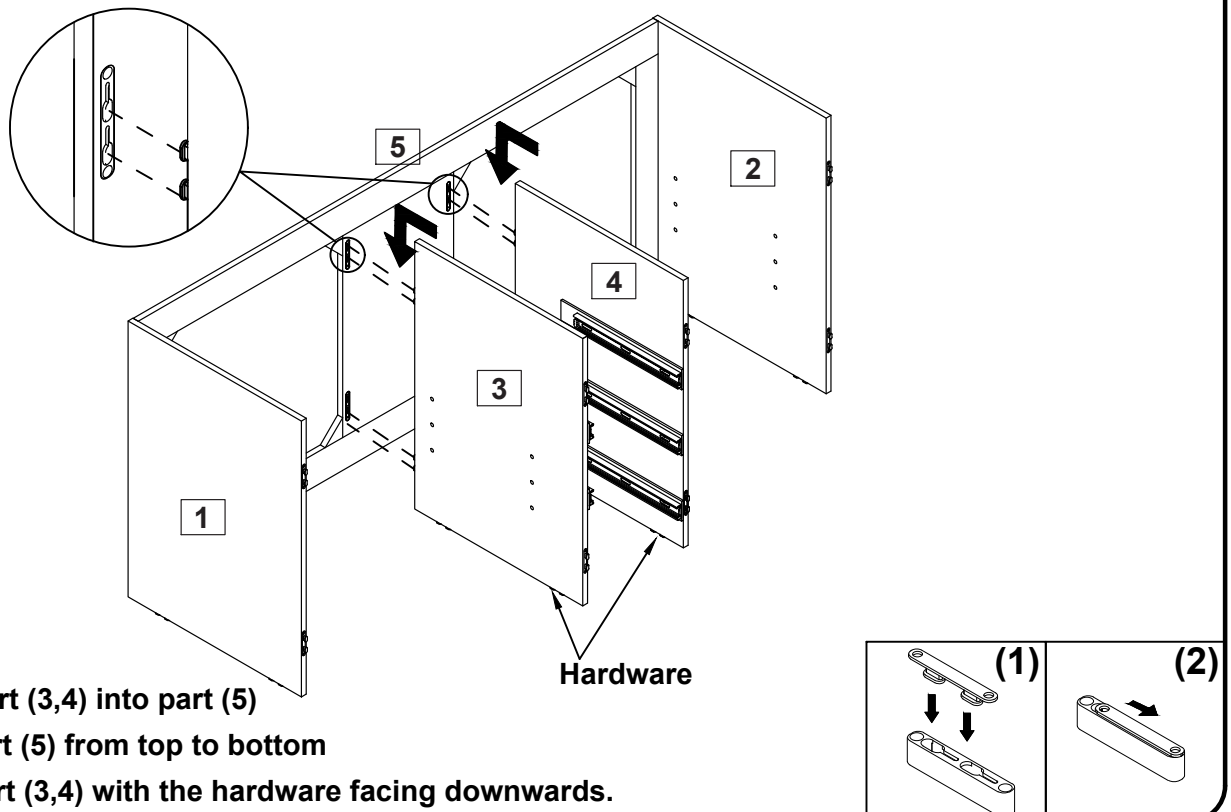


Assembly Instructions

Step 1

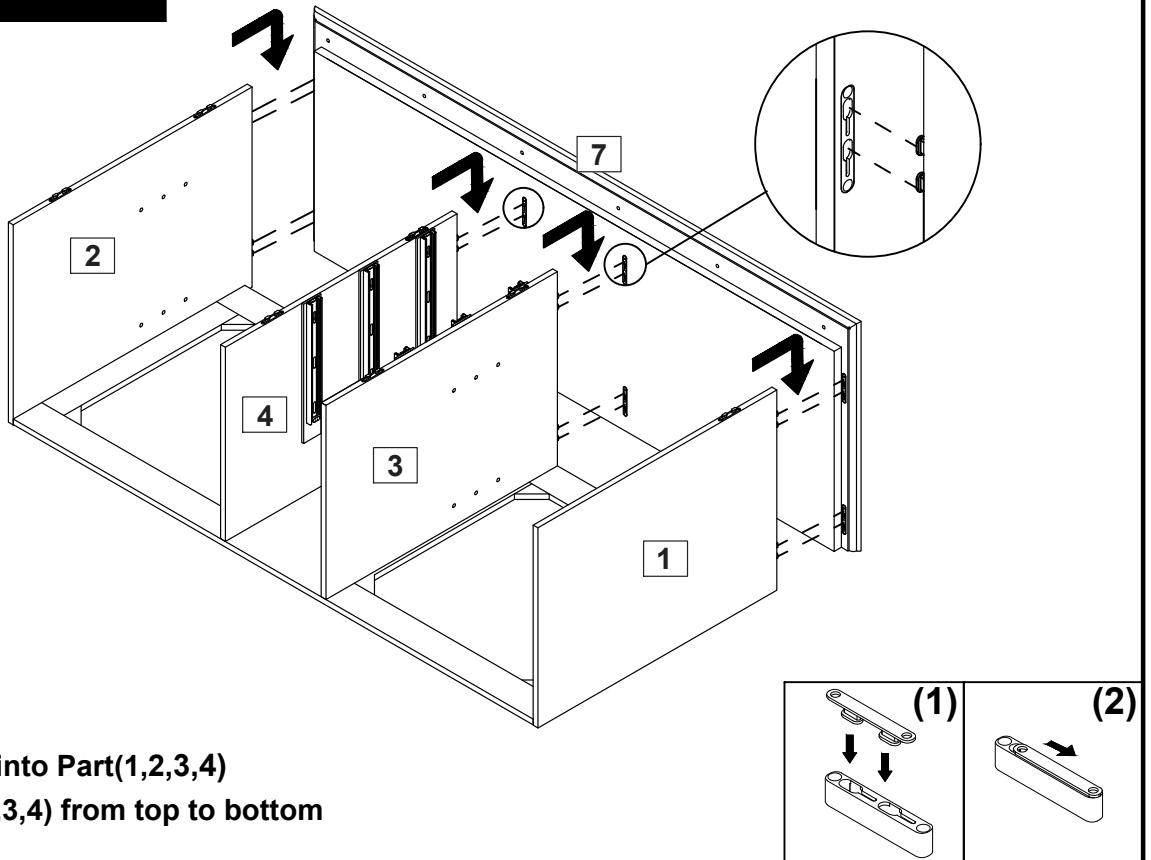


Step 2

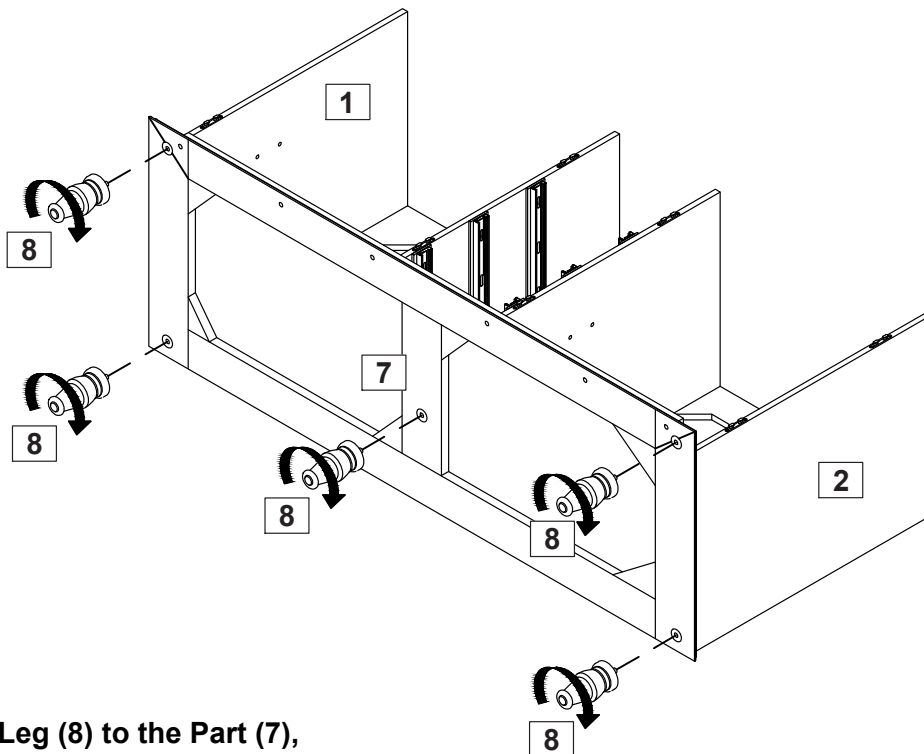


Assembly Instructions

Step 3

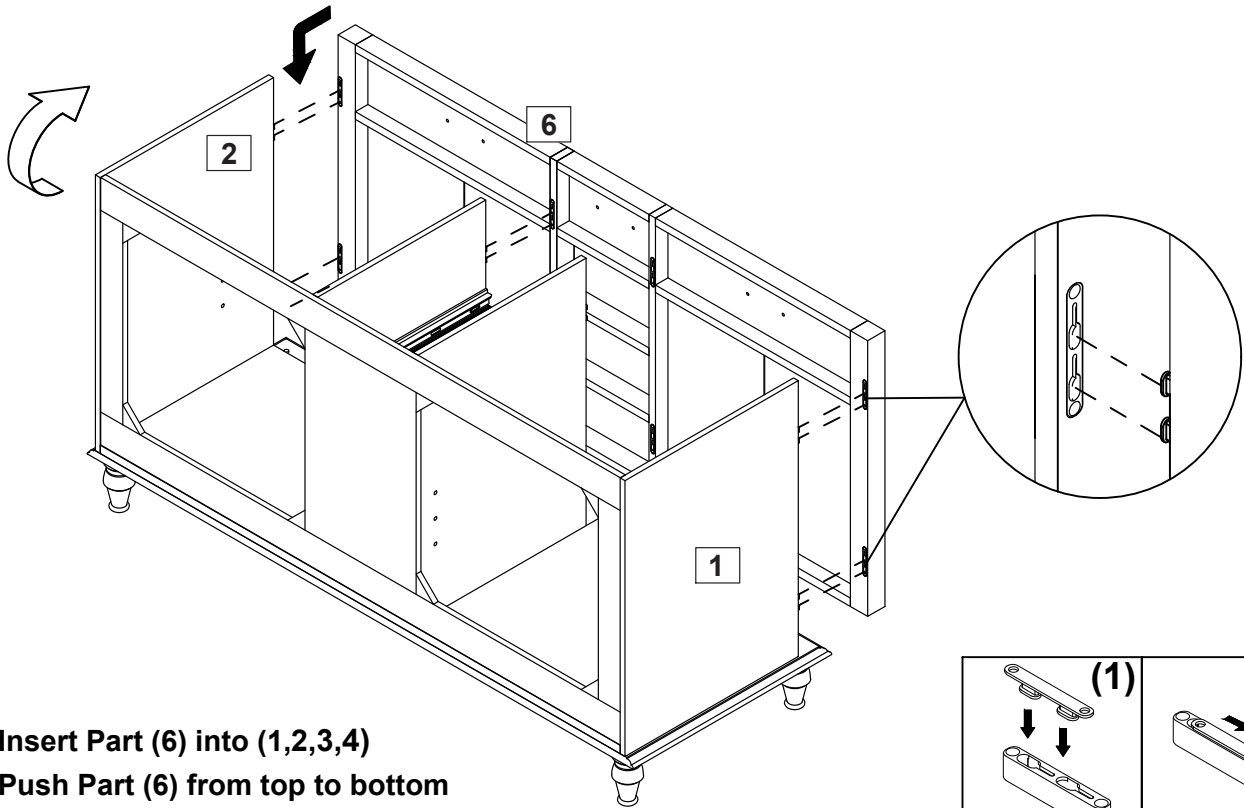


Step 4

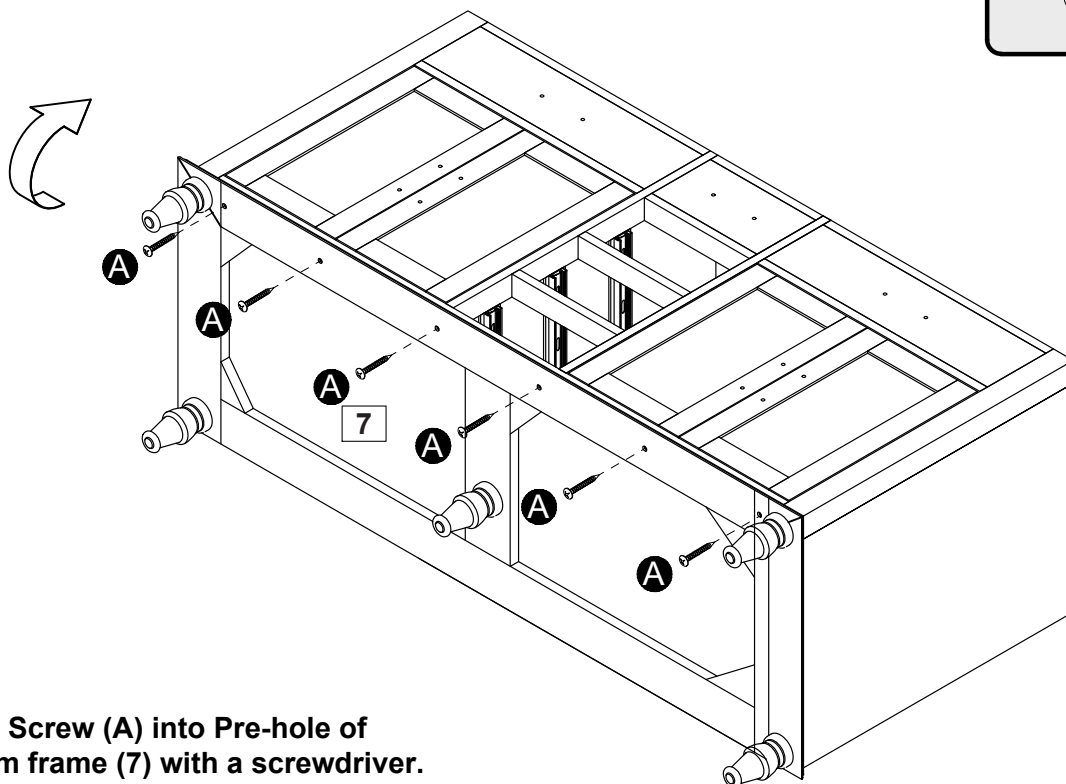


Assembly Instructions

Step 5



Step 6



Assembly Instructions

Step 7

C

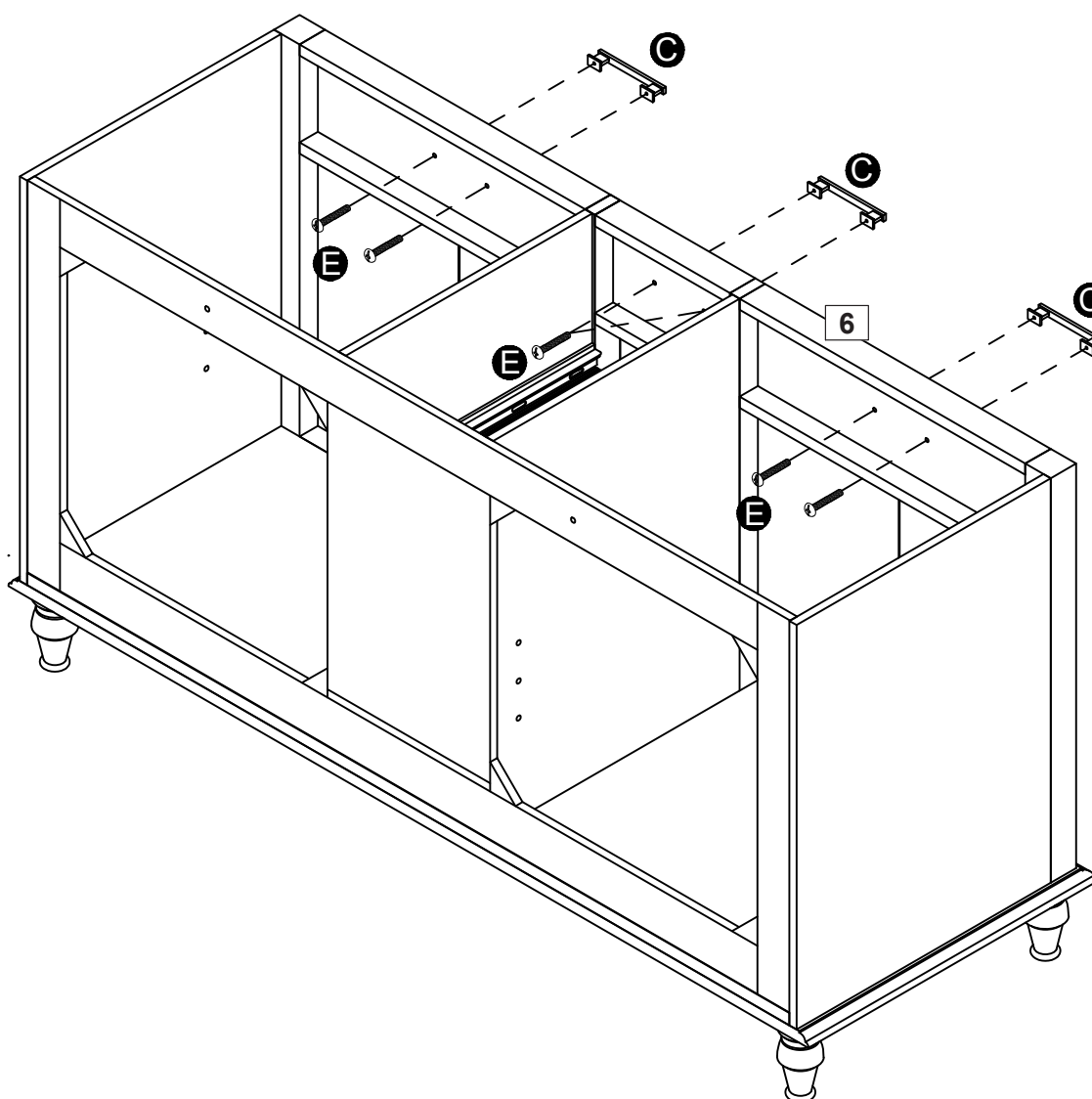


A x 3

E



E x 6



Attach Handle (C) to Part (6), using the Screw (E) with a screwdriver.

Assembly Instructions

Step 8

C

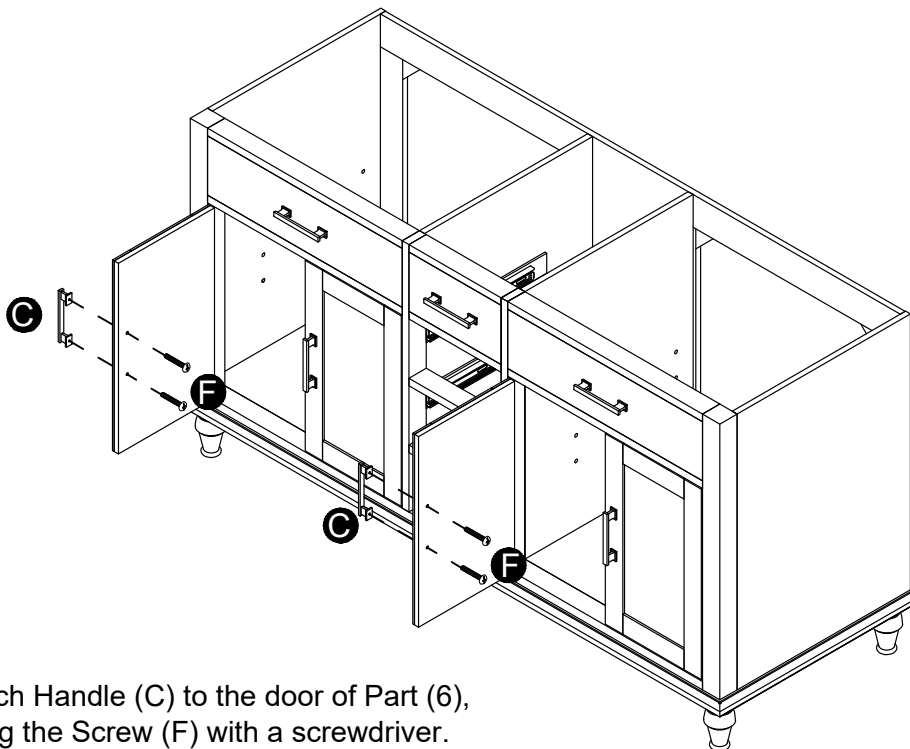
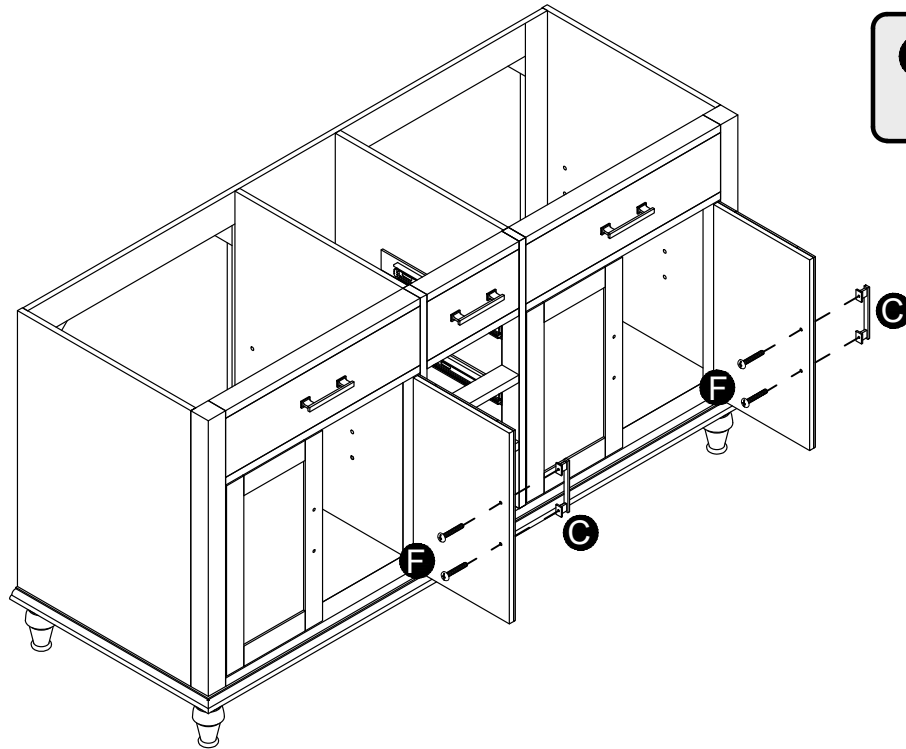


A x 4

F



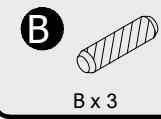
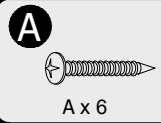
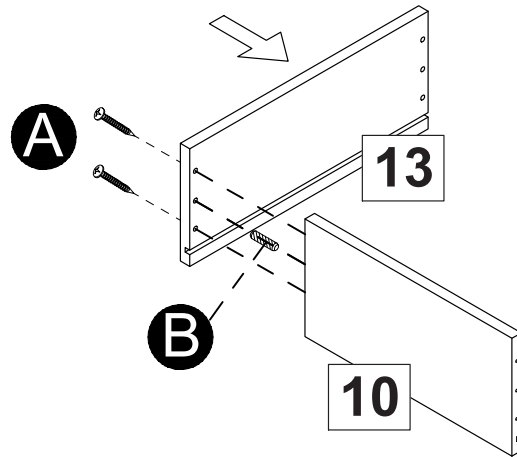
C x 8



Attach Handle (C) to the door of Part (6),
Using the Screw (F) with a screwdriver.

Assembly Instructions

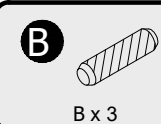
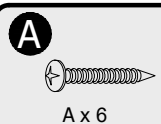
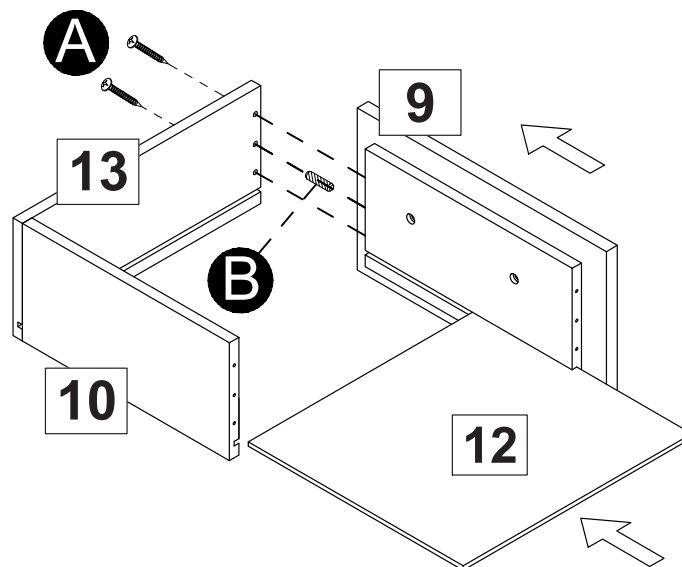
Step 9



Insert Wooden Dowel (B) to Part (13)
Attach Part (10) to Part (13), using the
Screw (A) with a screwdriver.

x 3

Step 10

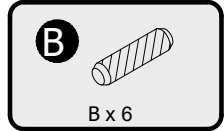
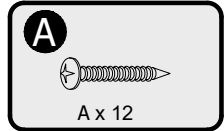
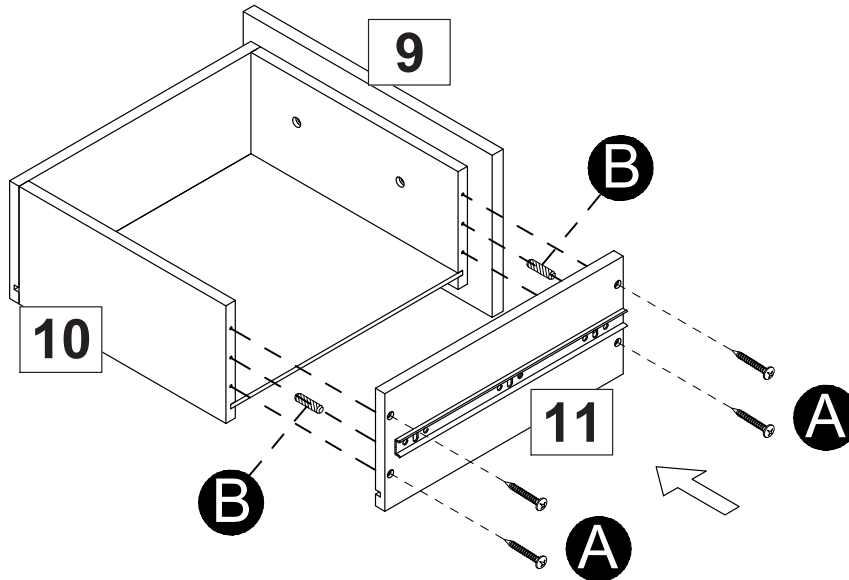


Insert Wooden Dowel (B) to Part (9)
Attach Part (13) to Part (9), using the Screw (A) with a screwdriver.
Insert Part (12) into the groove of Part (9,10)

x 3

Assembly Instructions

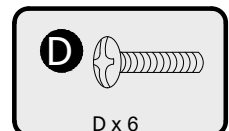
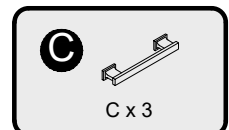
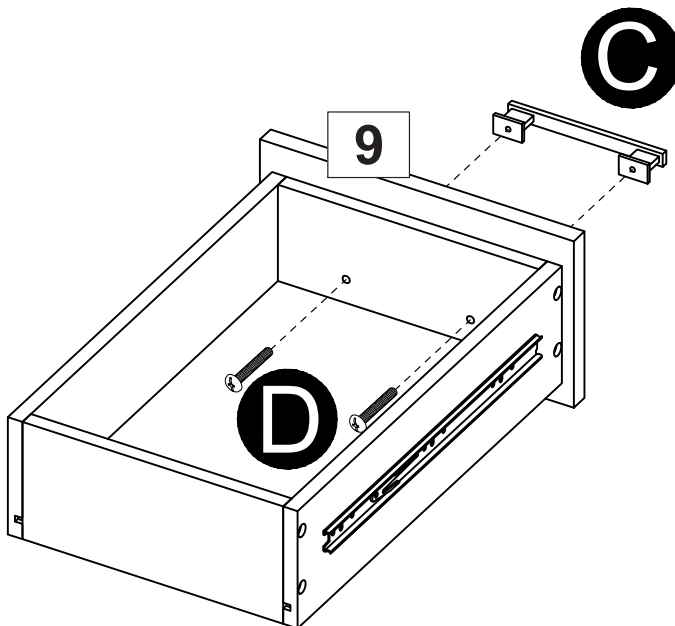
Step 11



Insert Wooden Dowel (B) to Part (9,10)
Attach Part (11) to Part (9,10), using the
Screw (A) with a screwdriver.

x 3

Step 12



Attach Handle (C) to Part (9), using
the Screw (D) with a screwdriver.

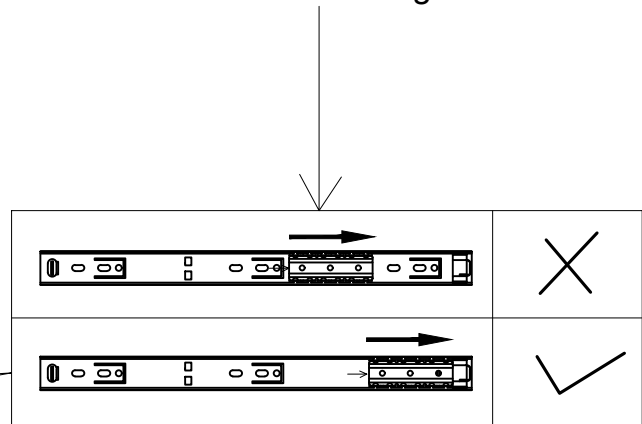
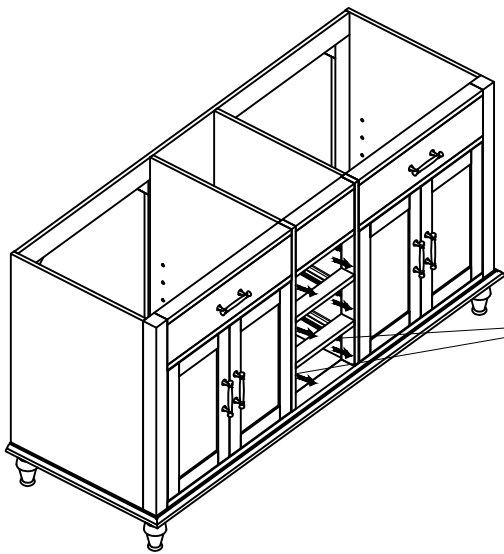
x 3

Assembly Instructions

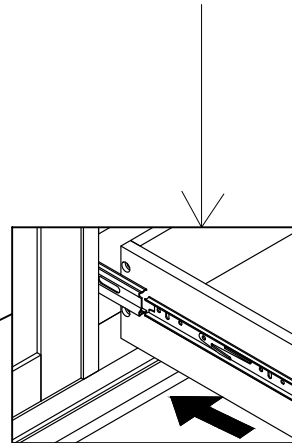
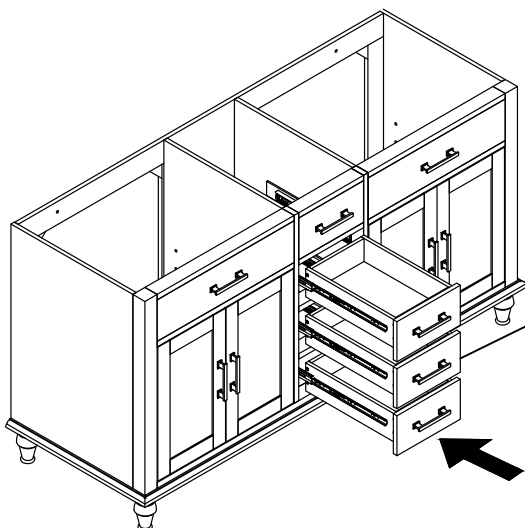
Step 13

⚠ It is highly recommended that the unit is secured to the wall. You can skip to the next step first, then come back to this step once the dresser is secured to the wall.

1. Check Before Installing: Ensure the rails are secure and ball bearings are in place.
2. Prepare: Slide the ball bearings to the front of the rails before closing.



3. Align & Insert: Line up the drawer rails with the main slides and insert both sides at once.

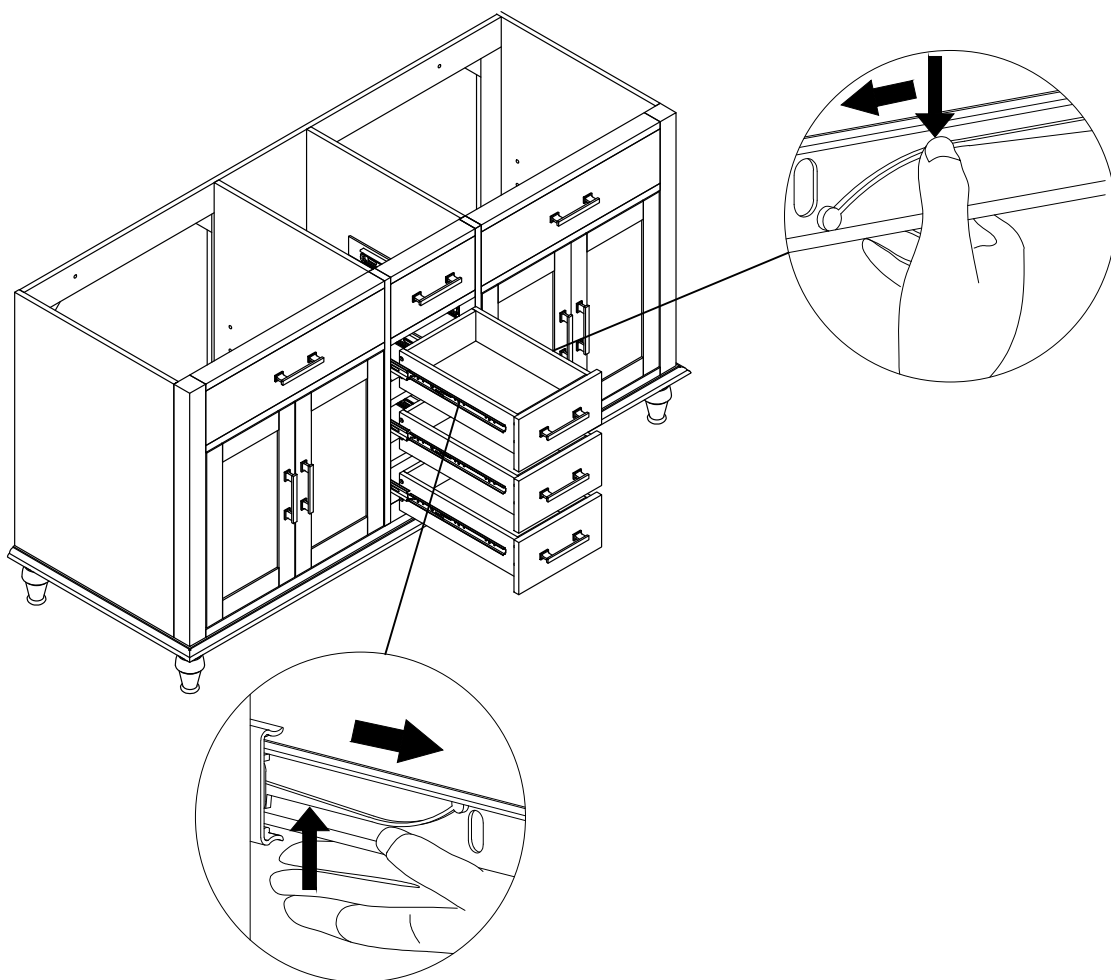


4. Fit: Open and close the drawer slowly three times to align and seat the ball bearings.

Assembly Instructions

Step 14

⚠ It is highly recommended that the unit is secured to the wall. You can skip to the next step first, then come back to this step once the dresser is secured to the wall.

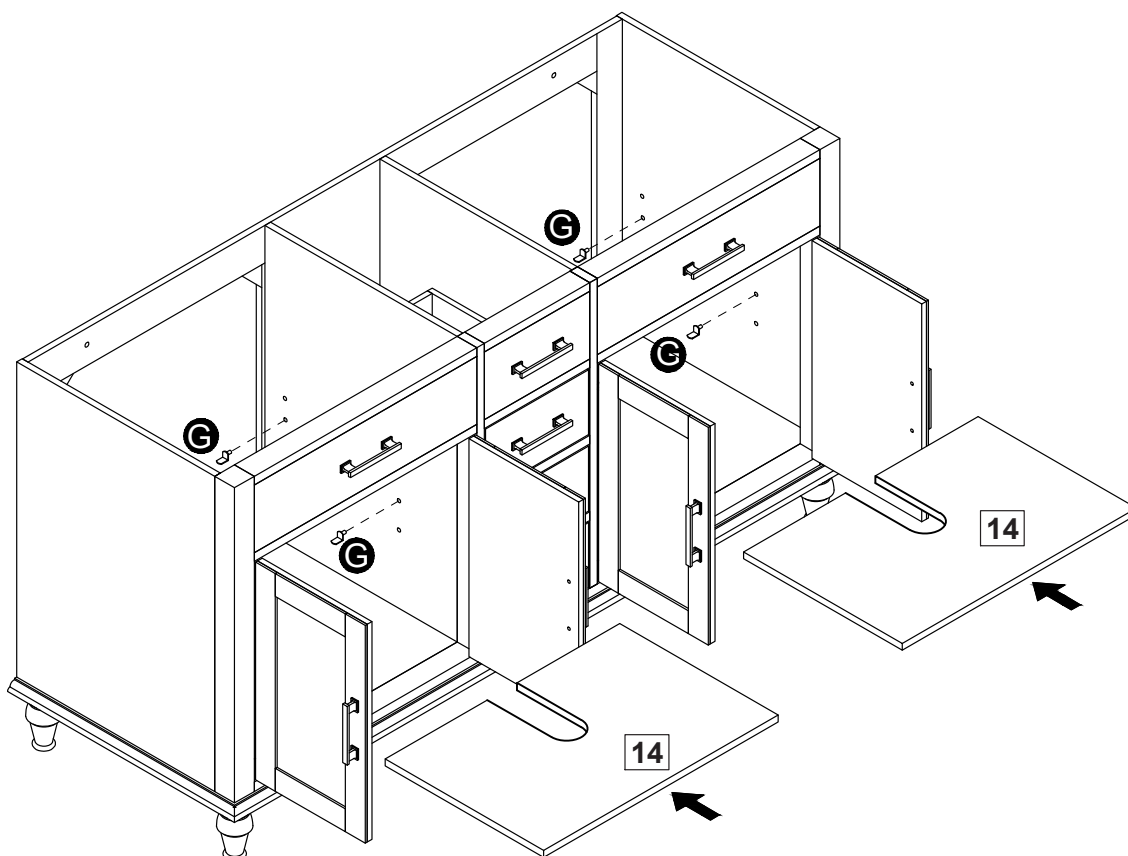


★ If the drawer does not go in smoothly please take it out and repeat the steps.

Assembly is complete.

Assembly Instructions

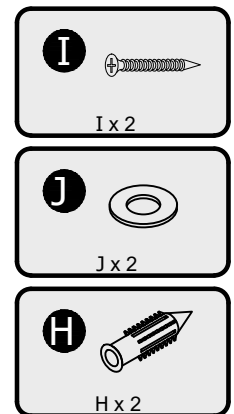
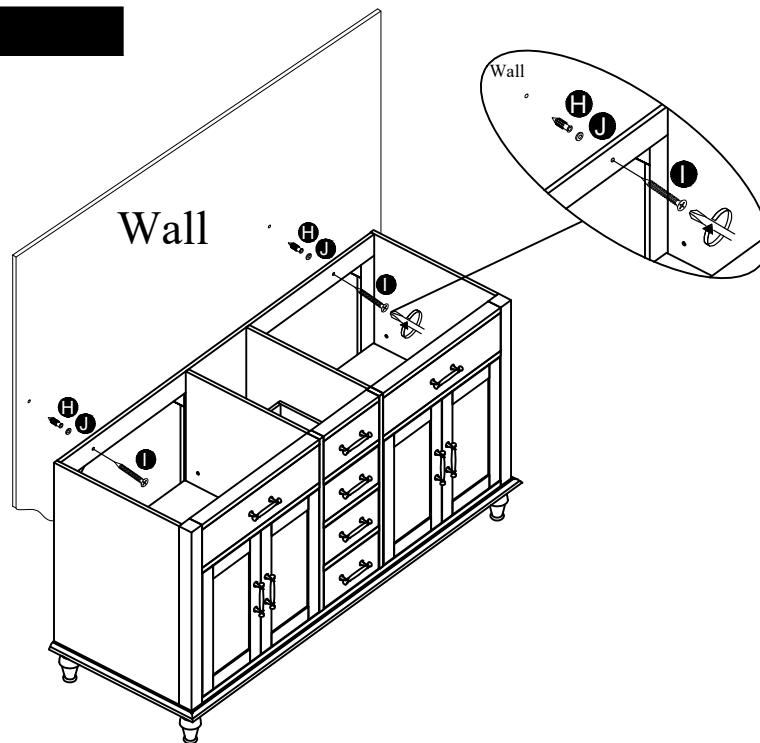
Step 15



Insert Shelf Pin (G), There are 3 levels of position from which you can choose.
Place Part (14) on top of the Shelf pin (G).

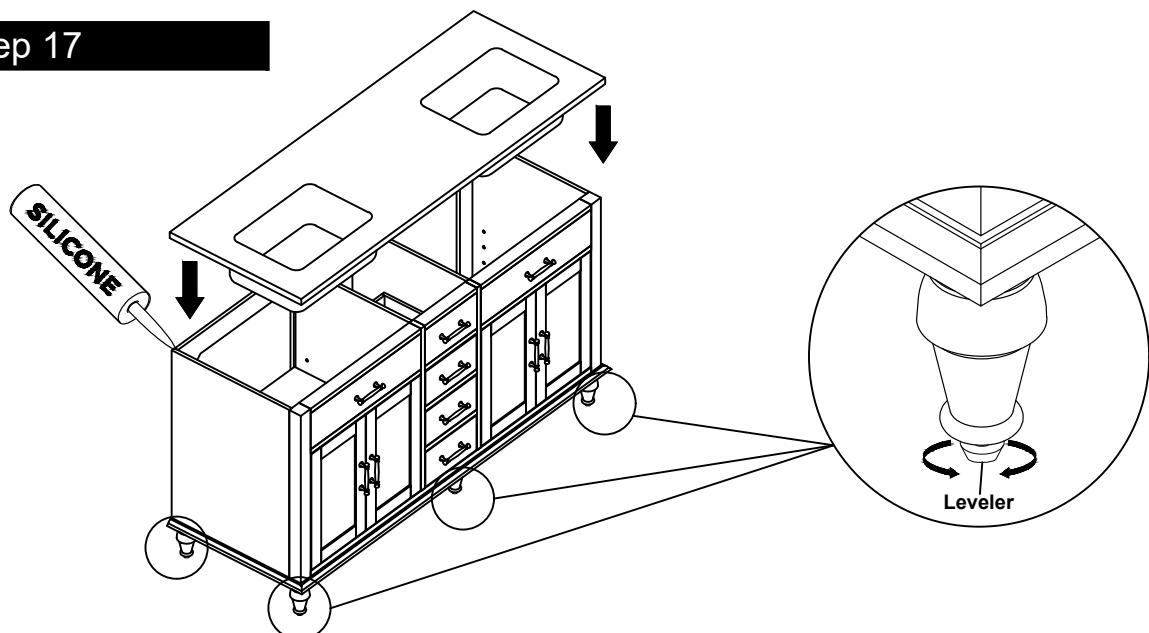
Assembly Instructions

Step 16



Secure vanity to the wall by using appropriate wall plus (H), Flat washer (J) and screw (I).

Step 17



Apply a thin layer of silicone sealant around the top of the vanity, and then carefully secure the sink in place.

Remove excess silicone sealant with a damp rag.

Adjust all the levelers touching the ground to keep the cabinet balanced.

Note: Place the top of the vanity, the back should be flush with the cabinet, keep both sides consistent.

A Guide to Wall Mounting & Fixings

Important note:

If plastic wall plugs (rawl plugs) are supplied with your product, e.g.:



- these are only suitable for use in masonry walls.

If you are in any doubt about the correct wall plugs for your wall, seek professional advice.


Failure of the product due to using the incorrect fixings is the responsibility of the installer.



Important: when drilling into walls always check that there are no hidden wires or pipes etc.

Make sure that the screws and wall plugs being used are suitable for **supporting your unit**. **Consult a qualified tradesperson if you are unsure.**

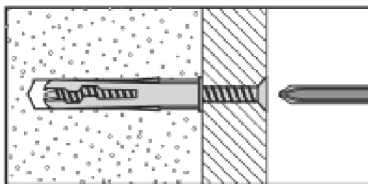
Hints:

- 1: General rule:  always use a larger screw and wall plug if you are not sure.
- 2: Ensure you use the recommended drill bit to match the wall plug and hole size.
- 3: Ensure you drill the hole horizontally; do not force the drill or enlarge the hole.
- 4: Take extra care when drilling high walls, ceilings and ceramic tiles. Ensure wall plugs are inserted beyond the thickness of the ceramic tiles to avoid the tiles splitting or cracking.
- 5: Ensure wall plugs are well fitted and are a tight fit in the drilled hole.

Types of walls

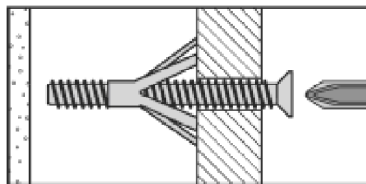
You can use one of the following types of wall plug if your walls are made of brick, breeze block, concrete, stone or wood.

No.1 "General Purpose" wall plug



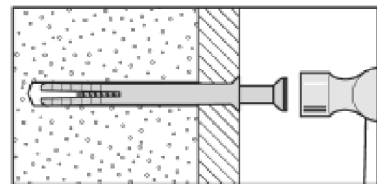
Generally aerated blocks should not be used to support heavy loads, use a specialist fitting in this case. For light loads, general purpose wall plugs can be used.

No.3 "Cavity Fixing" wall plug



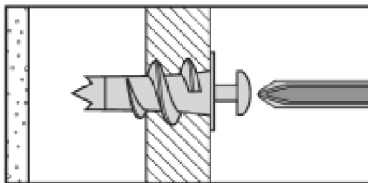
For use with plasterboard partitions or hollow wooden doors.

No.5 "Hammer Fixing" wall plug



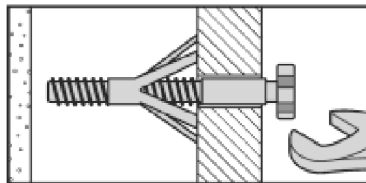
For use with walls stuck with plasterboard. The hammer fixing allows it to be fixed to the wall rather than the plasterboard. Always check the fixing is secure to the retaining wall.

No.2 "Plasterboard" wall plug



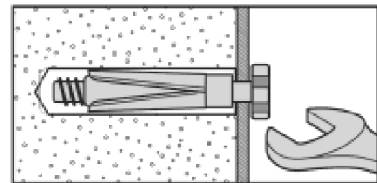
For use when attaching light loads onto plasterboard partitions.

No.4 "Cavity Fixing - Heavy Duty" wall plug



For use when fitting or supporting heavy loads such as shelving, wall cabinets and coat racks.

No.6 "Shield Anchor" wall plug - heavy loads



For use with heavier loads such as TV and HiFi speakers and satellite dishes etc.



Care & Maintenance

Safety: always check the fitting and location to ensure your safety in and around the home.

Fitting: from time to time check the fitting to ensure the wall plugs or screws do not become loose.