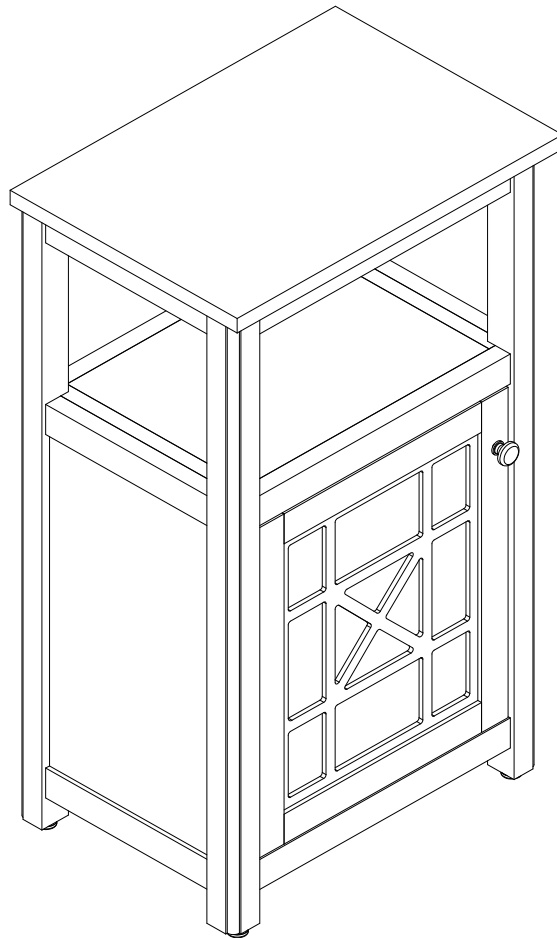


# ASSEMBLY INSTRUCTIONS

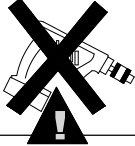
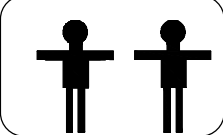

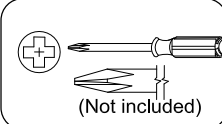
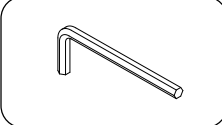
## Bath Deluxe Storage Cabinet



**REPLACEMENT PARTS**

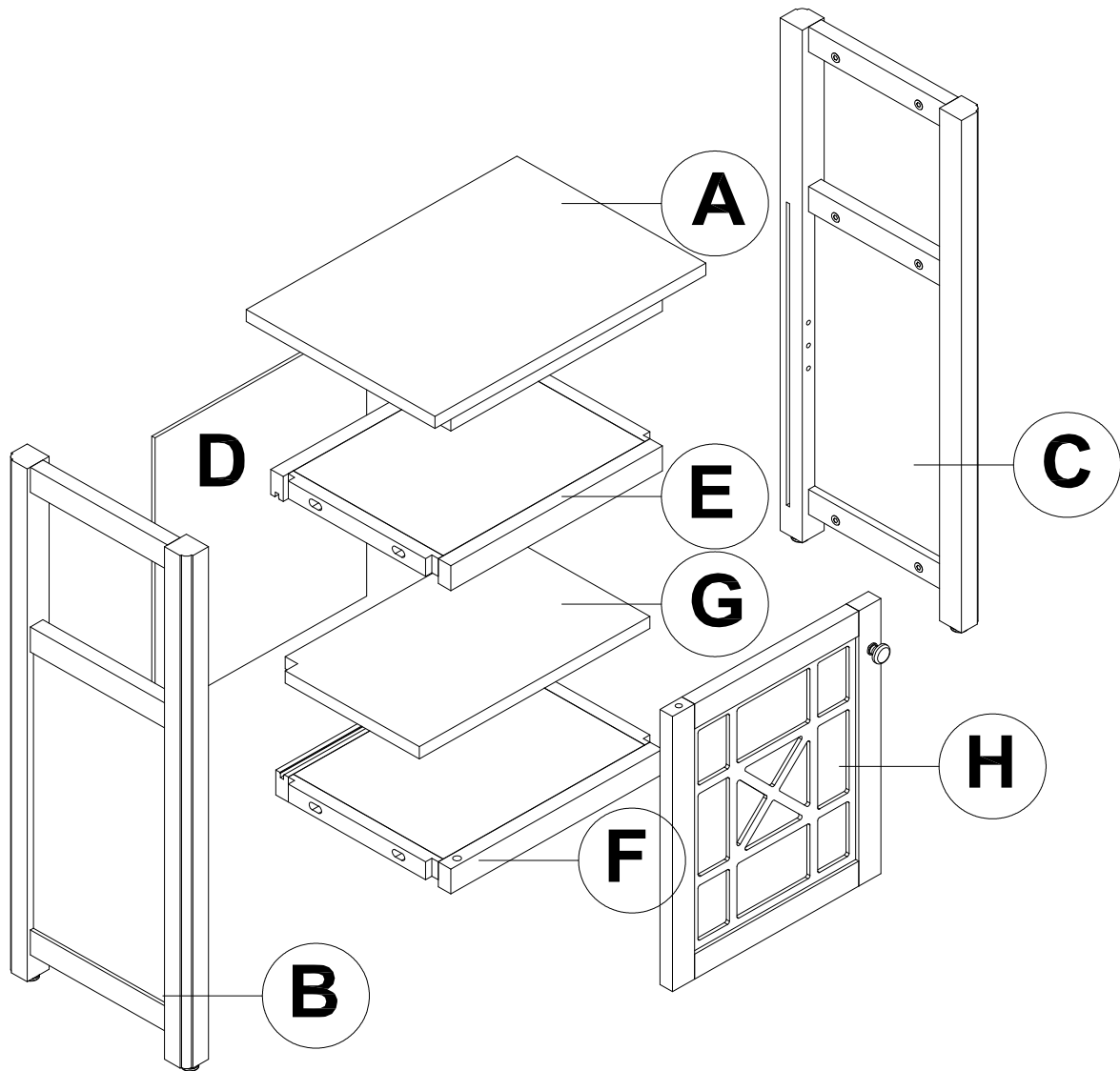
Please do not contact the company purchased from as we can help you faster.

Order replacement parts and hardware at "[boltonfurniture.com](http://boltonfurniture.com)"



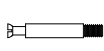





 <p>. Use of power tool to assemble this product will invalidate any claim and damage this product making it unsafe!!! . Please assemble on a clean soft surface to avoid damage.</p>	 <p>+</p>  <p>50 minutes</p>	<p><b>Tool Included</b></p>  <p>(Not included)</p> 
--	--	---

[www.boltonfurniture.com](http://www.boltonfurniture.com)

# Part List- Bath Deluxe Storage Cabinet

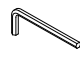


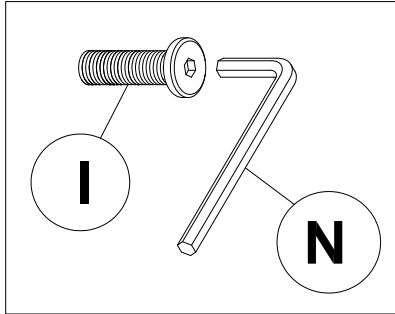
**Identifying the hardware**-Identify the hardware using the illustrations below.

<b>I</b>  12 <b>M6X30mm</b>	<b>J</b>  01 <b>M6X45mm</b>	<b>K</b>  01	<b>L</b>  01
<b>M</b>  04	<b>N</b>  01	<b>O</b>  01	<b>P</b>  01 <b>M4*25</b>

# Step 1

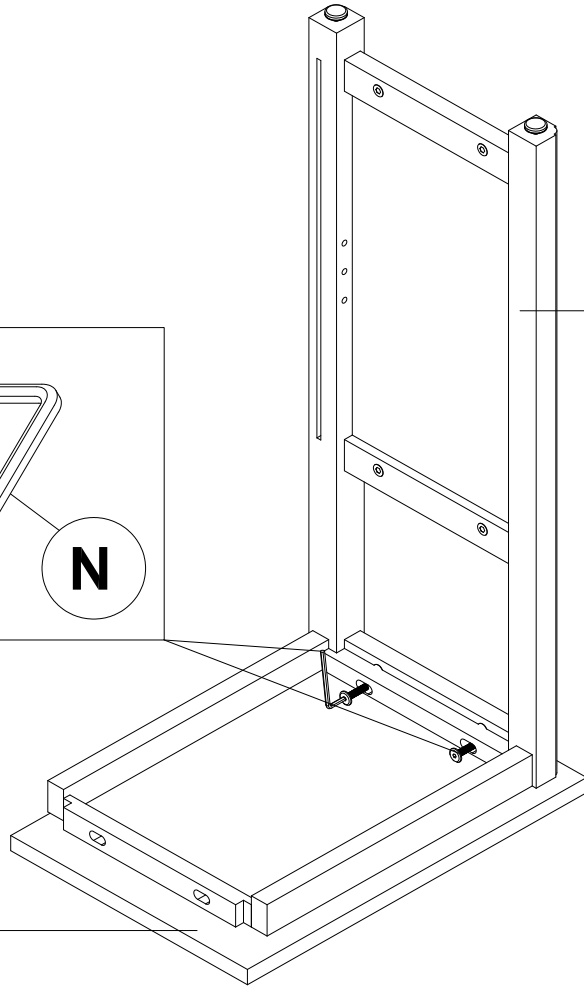
I  02  
M6X30mm

N  01



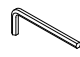
A

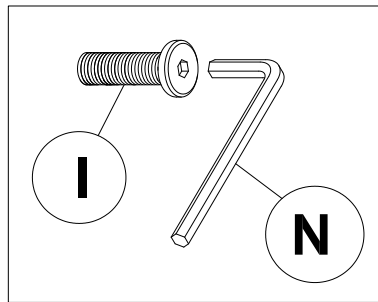
B



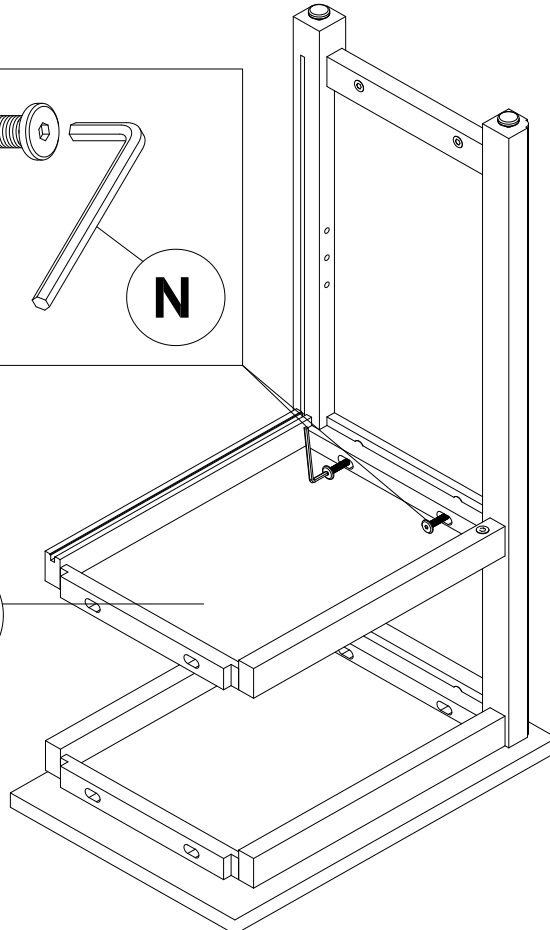
# Step 2

I  02  
M6X30mm

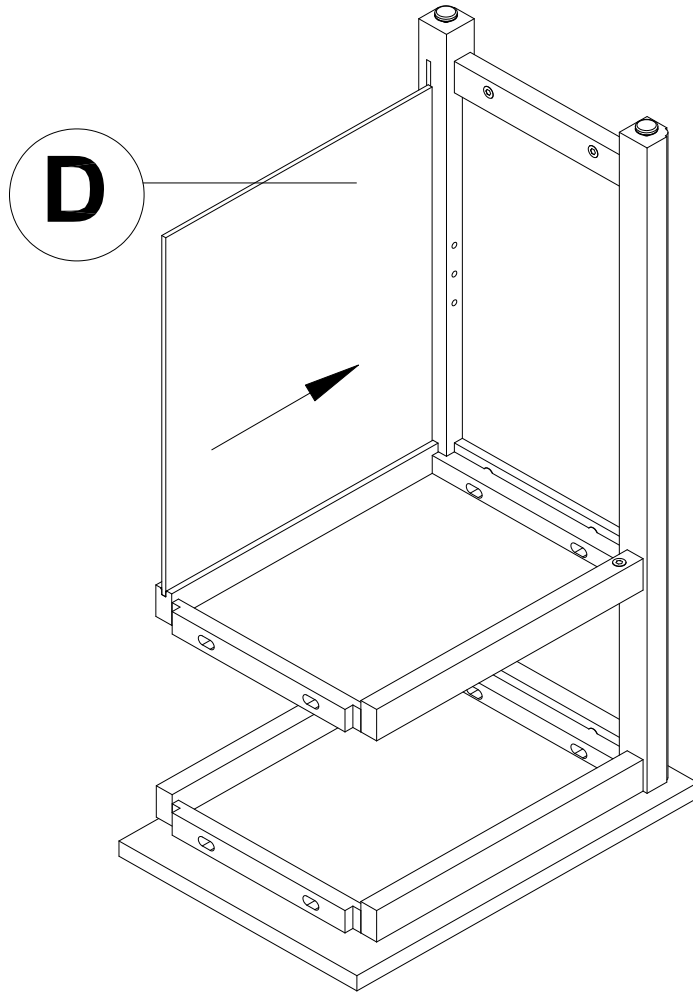
N  01



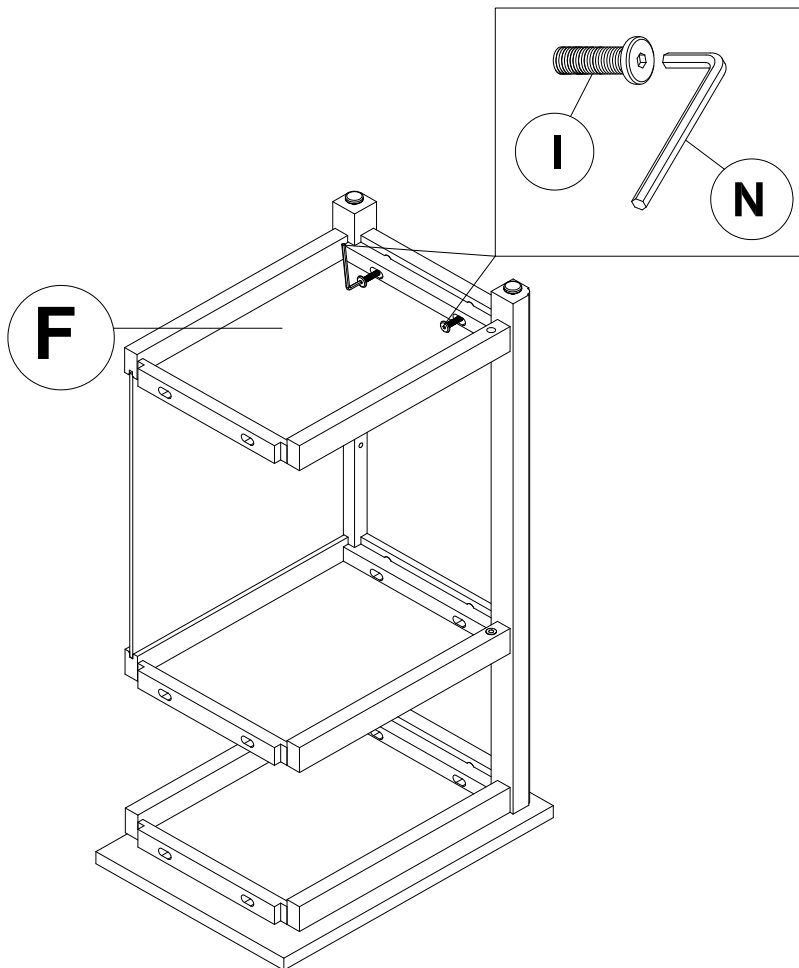
E


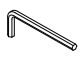


### Step 3




### Step 4:

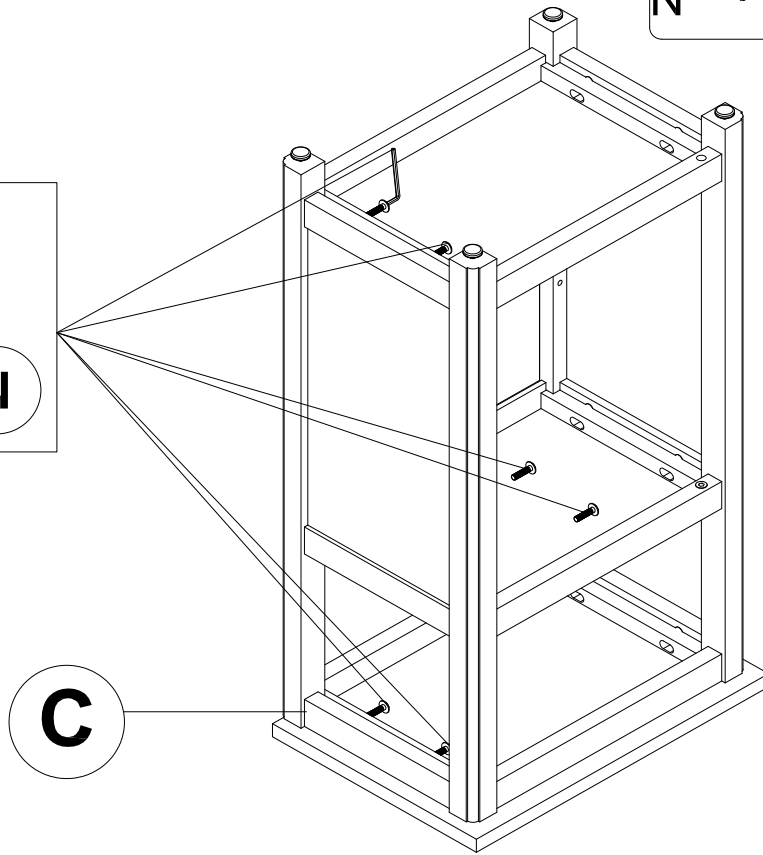
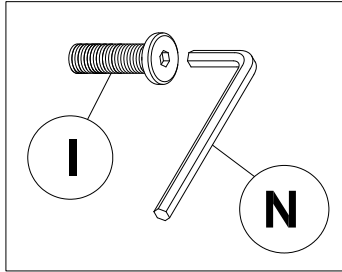


I		02
M6X30mm		
N		01

**Step 5:**

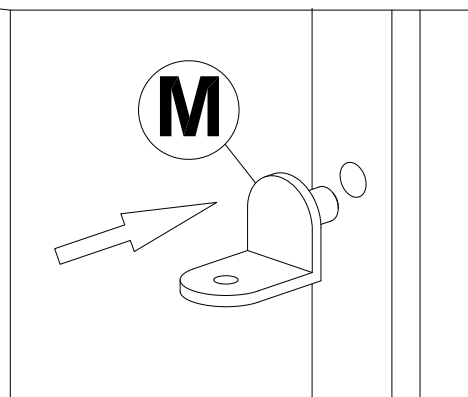
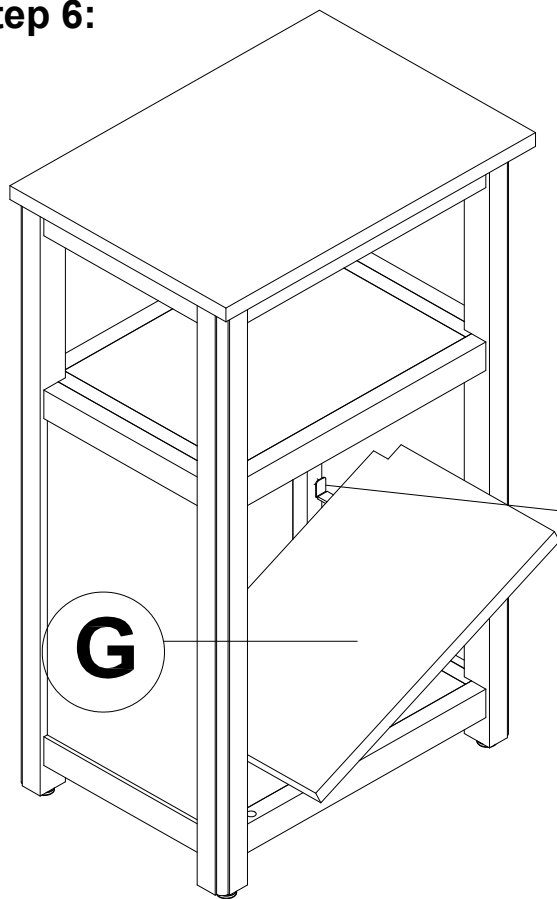
**I**  **06**  
**M6X30mm**

**N**  **01**



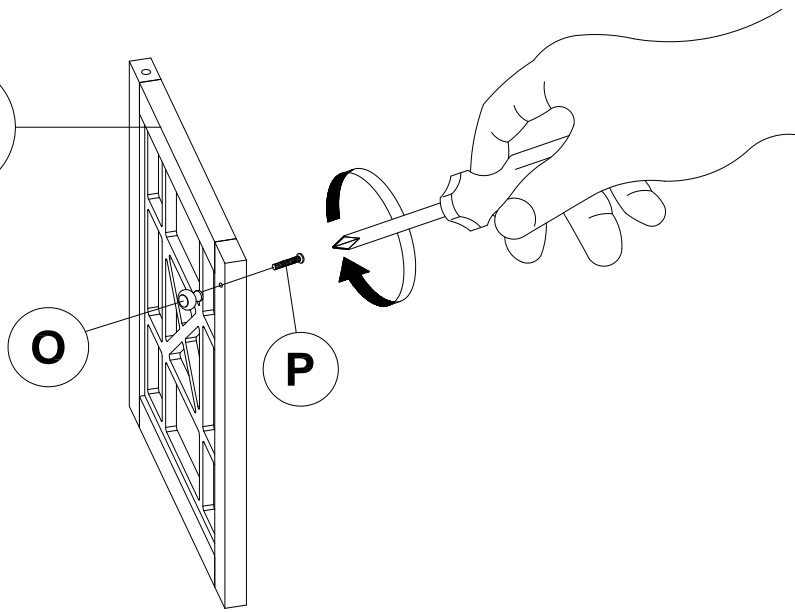
**Step 6:**

**M**  **04**



**Step 7:**

**H**

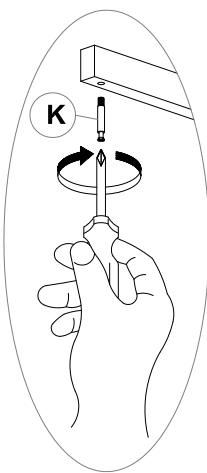


**O**

**P**

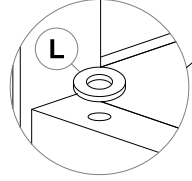
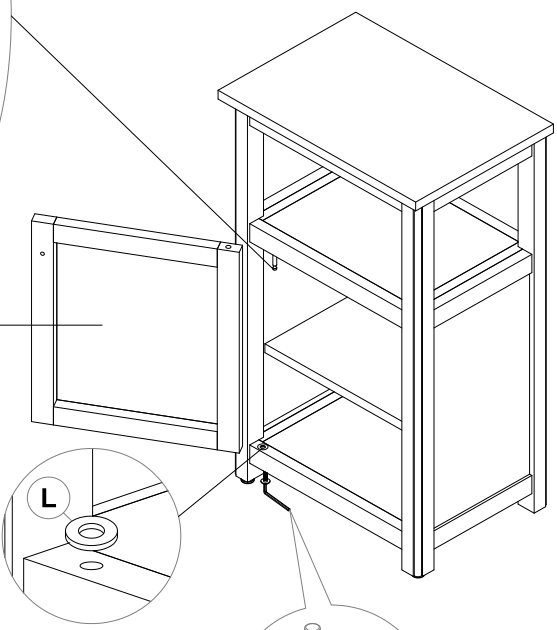
- O
01
- P
01  
M4\*25
- +
01  
(Not included)

**Step 8:**

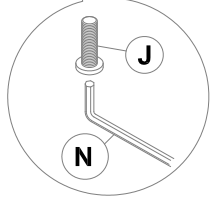


**K**

**H**

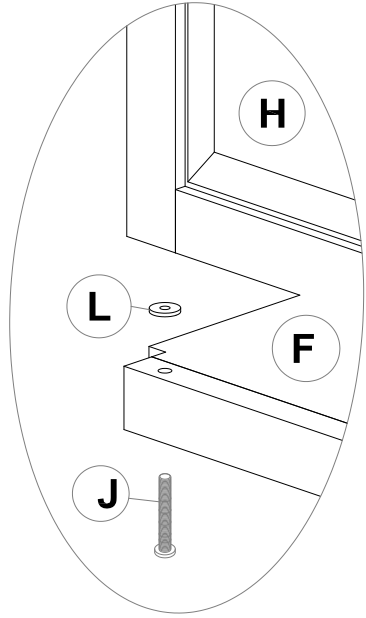


**L**



**J**

**N**



**H**

**L**

**F**

**J**

- J
01  
M6X45mm
- K
01
- L
01
- N
01
- +
01  
(Not included)