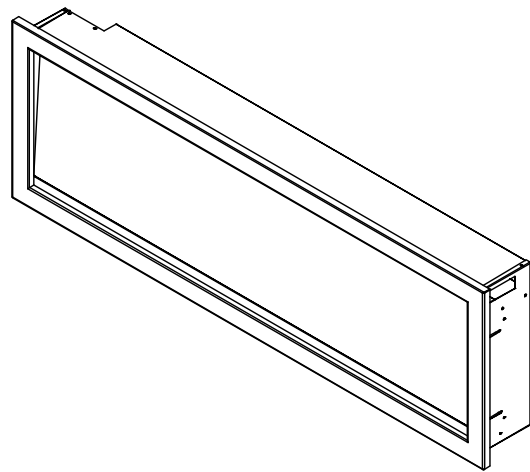


## INSTALLATION AND OPERATION INSTRUCTIONS FOR



### SAFETY INFORMATION



#### **WARNING**

**If the information in these instructions are not followed exactly, a fire or explosion may result causing property damage, personal injury or loss of life.**

Do not store or use gasoline or other flammable vapors and liquids in the vicinity of this or any other

**INSTALLER: LEAVE THIS MANUAL WITH THE APPLIANCE.**

**CONSUMER: RETAIN THIS MANUAL FOR FUTURE REFERENCE.**



**WARNING:** This product can expose you to chemicals including Lead in the wiring, which is [are] known to the State of California to cause birth defects or other reproductive harm. For more information visit: [www.p65warnings.ca.gov](http://www.p65warnings.ca.gov)

# TABLE OF CONTENTS

Please read and carefully follow all of the instruction found in this manual. Please pay special attention to the safety instructions provided in this manual. The instructions included here will assure that you have many years of dependable and enjoyable service from your product.

IMPORTANT INSTRUCTIONS.....	3
UNPACKING AND TESTING APPLIANCE .....	6
GROUNDING APPLIANCE.....	6
LOCATING THE FIREPLACE.....	6
BATHROOM USE.....	14
OUTDOOR INSTALLATIONS .....	15
INSTALLATION-WALL MOUNT .....	16
INSTALLATION- BUILT-IN .....	17
INSTALLATION- SEMI-FLUSH BUILT-IN.....	21
HARD- WIRE INSTALLATION .....	25
DECORATIVE MEDIA INSTALLATION.....	26
OPERATION.....	27
MANUAL OPERATION .....	27
REMOTE CONTROL OPERATION.....	28
INSTALLING WALL THERMOSTAT .....	29
REPLACEMENT PARTS .....	30
EXPLODED VIEW .....	32
TRUBLE SHOOTING.....	33
SERVICE HISTORY .....	34
WARRANTY .....	35

## IMPORTANT INSTRUCTIONS

1. Read all instructions before installing or using this heater.
2. Keep combustible materials, such as furniture, pillows, bedding, papers, clothes and curtains at least 3 feet from the front, sides and rear of the heater.
3. Always unplug heater when not in use.
4. Do not operate the fireplace if it has a damaged cord or plug, after it has malfunctioned, or if the unit has been dropped or damaged in any way.
5. Do not run the cord under carpeting. Do not cover the cord with throw rugs, runners or anything else. Arrange the cord away from traffic areas where it could not be tripped over.
6. To disconnect the heater, turn the controls to "OFF" before removing the plug from the outlet.
7. Do not insert or allow foreign objects to enter any ventilation or exhaust opening, as this may cause an electric shock, fire or damage to the heater.
8. To prevent a possible fire, do not block air intakes in any manner.
9. A heater has hot and arcing or sparking parts inside. Do not use it in areas where gasoline, paint or flammable liquids are used or stored.
10. Use this heater only as described in this manual. Any other use not recommended by the manufacturer may cause fire, electric shock or injury.
11. Avoid the use of an extension cord, the extension cord will overheat and cause a fire. This heater is not to be used with an extension cord.
12. Always use properly grounded fused and polarized outlets.
13. Always use ground fault protection where it is required by electrical codes.
14. Always disconnect the power before performing any cleaning, maintenance or relocation of the heater.
15. To prevent a possible fire, do not burn wood or other materials in this heater.
16. To prevent electric shock or fire, always use a certified electrician, should new circuits or outlets be required.
17. When transporting or storing the heater, keep it in a dry place, free from excessive vibration.
18. This appliance should not be modified under any circumstances.
19. Packaging material should be kept away from children and be disposed of in a safe manner. Plastic bags are not toys and should be kept away from children and infants.
20. Do not use this heater in small rooms when they are occupied by persons not capable of leaving the room on their own, unless constant supervision is provided.
21. If the glass is damaged, do not use the heater in order to avoid a hazard.
22. Do not leave children unsupervised where heater is turned on.
23. **CAUTION** Some parts of this product can become very hot and cause burns. Particular attention has to be given where children and vulnerable people are present.
24. This appliance can be used by children aged from 8 years and above and persons with reduced physical, sensory or mental capabilities or lack of experience and knowledge if they have been given supervision or instruction concerning use of the

appliance in a safe way and understand the hazards involved. Children shall not play with the appliance. Cleaning and user maintenance shall not be made by children without supervision.

## Cautions

Do's	<ul style="list-style-type: none"> <li>Always install the heater in accordance with this guide. If in doubt obtain expert advice.</li> </ul>
	<ul style="list-style-type: none"> <li>Always make sure the electrical socket is accessible and located adjacent to, but not above the heater.</li> </ul>
	<ul style="list-style-type: none"> <li>Always disconnect the heater from the electrical supply before moving it, or carrying out cleaning, maintenance.</li> </ul>
	<ul style="list-style-type: none"> <li>Always make sure the heater is firmly secured to prevent it from being tipped over.</li> </ul>
	<ul style="list-style-type: none"> <li>Always use a fireguard when young children and infirm persons can come into contact with the heater.</li> </ul>
Don'ts	<ul style="list-style-type: none"> <li>Never leave children unsupervised in a room where the heater is ON and unguarded.</li> </ul>
	<ul style="list-style-type: none"> <li>Never obstruct or cover the fan outlet or force items into heater openings.</li> </ul>
	<ul style="list-style-type: none"> <li>Never use aerosols or steam cleaners on or around the heater.</li> </ul>
	<ul style="list-style-type: none"> <li>Never route the mains supply cable under carpet etc.</li> </ul>
	<ul style="list-style-type: none"> <li>Never install the heater close to curtains or combustible materials.</li> </ul>
	<ul style="list-style-type: none"> <li>Never use the heater to dry clothes etc.</li> </ul>
	<ul style="list-style-type: none"> <li>Never sit or stand on the heater.</li> </ul>
<ul style="list-style-type: none"> <li>Never use with a timer or any other device that switches the fire on automatically.</li> </ul>	

## UNPACKING AND TESTING APPLIANCE

Carefully remove the appliance from the box.

Prior to installing the appliance, test to make sure the appliance operates properly by plugging the power supply cord into a 120 Volt grounded outlet.

Test all aspects of its operation (manual switches, remote and heater) to make sure all components are operating correctly.

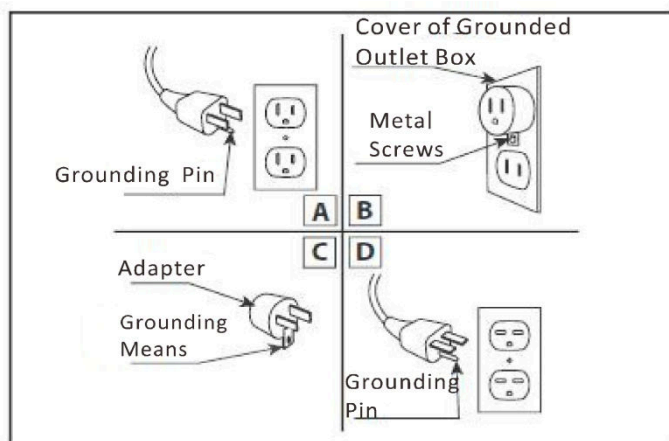
As with most electronic devices, your new electric fireplace has been designed to operate at temperatures between 5 °C (41°F) and 35 °C (95°F). During the cold winter months, allow the fireplace to reach room temperature before turning it on.

**NOTE: There may be trace of odor during the first few minutes of initial use. This is harmless, normal and will never occur again.**

## GROUNDING APPLIANCE

This appliance is for use on 120 Volts. The cord has a plug as shown in (A). An adapter as shown in (C) is available for connecting three-blade grounding type plugs to two-slot receptacles. The green grounding lug extending from the adapter must be connected to a permanent ground such as a properly grounded outlet box. The adapter should not be used if a three-slot grounded receptacle is available.

To disconnect appliance, turn controls to off, then remove plug from outlet.



## LOCATING THE FIREPLACE

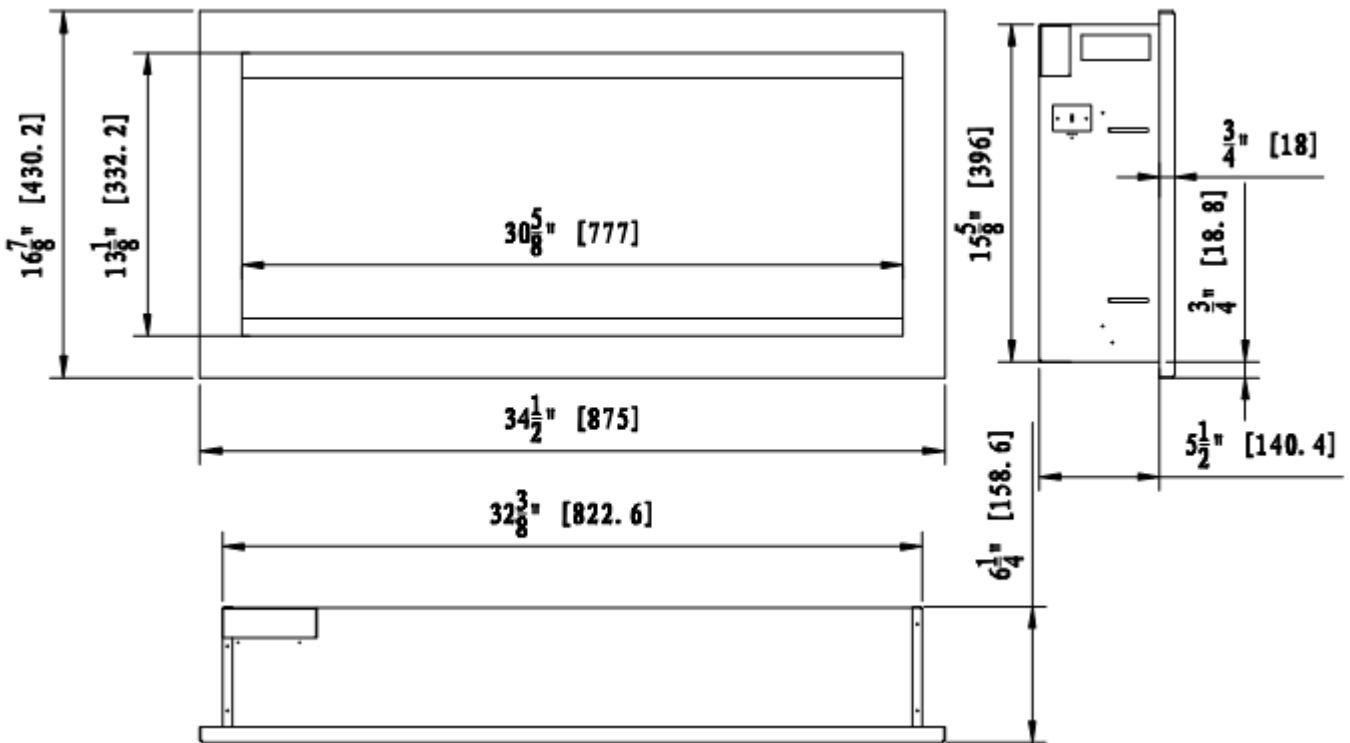
Plan where to locate and frame the fireplace. This will save time and money later when you install the fireplace. Before installation consider the following:

1. Where the fireplace is located must allow for wall and ceiling clearances
2. Consider a location where the fireplace screen will not be exposed to direct sunlight from windows or doors.
3. A 15 ampere, 120 Volt, 60 Hz branch circuit with proper ground must be available at the location. Preferably a dedicated branch circuit should be provided to avoid circuit breakers to trip or fuses to blow.

Description	Built-in Appliance
Voltage	120V AC 60Hz
Watts	1200W Max
NO HEATER	26W
MOTOR HEATER	19W
Appliance Width	32 3/8" or 82.3 cm
Appliance Height	15 5/8 " or 39.6 cm
Appliance Depth	5 1/2" or 14 cm
Gross Weight	57.3 lbs or 24.9 kgs
Plug Location	Left side
Cord Length	70 7/8" or 180 cm
Rough Wall Opening Size	33 3/8"× 16" or 84.8 cm× 40.6 cm
BTU	4095

This appliance has been tested in accordance with the UL Standard 2021 for fixed and location dedicated electric room appliances in the United States and Canada. If you need assistance during installation, please contact your local dealer.

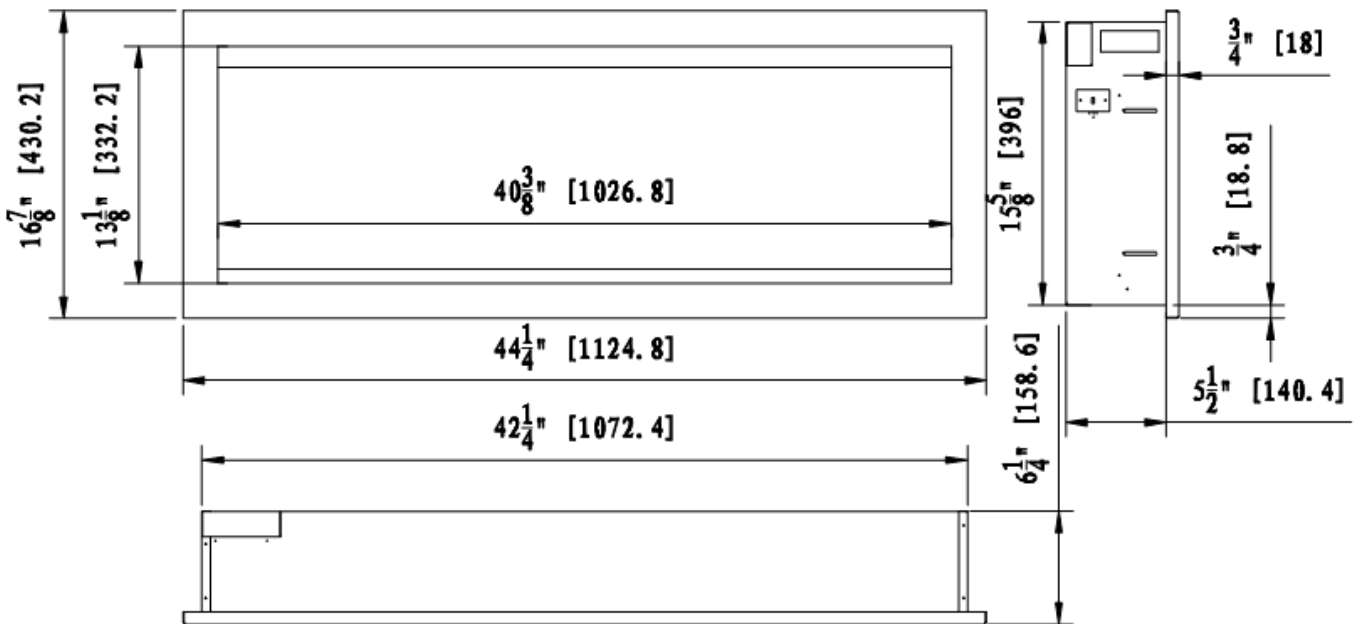
**NOTE: This appliance must be electrically wired and grounded in accordance with local codes. In the absence of local codes, use the current CSA C22.1 Canadian Electrical Code in Canada or the ANSI/NFPA 70 National Electrical Code in the United States.**



Description	Built-in Appliance
Voltage	120V AC 60Hz
Watts	1200W Max
NO HEATER	31W
MOTOR HEATER	19W
Appliance Width	42 1/4" or 107.2 cm
Appliance Height	15 5/8 " or 39.6 cm
Appliance Depth	5 1/2" or 14 cm
Gross Weight	68.34 lbs or 31 kgs
Plug Location	Left side
Cord Length	70 7/8" or 180 cm
Rough Wall Opening Size	43 1/4"× 16" or 109.8 cm× 40.6 cm
BTU	4095

This appliance has been tested in accordance with the UL Standard 2021 for fixed and location dedicated electric room appliances in the United States and Canada. If you need assistance during installation, please contact your local dealer.

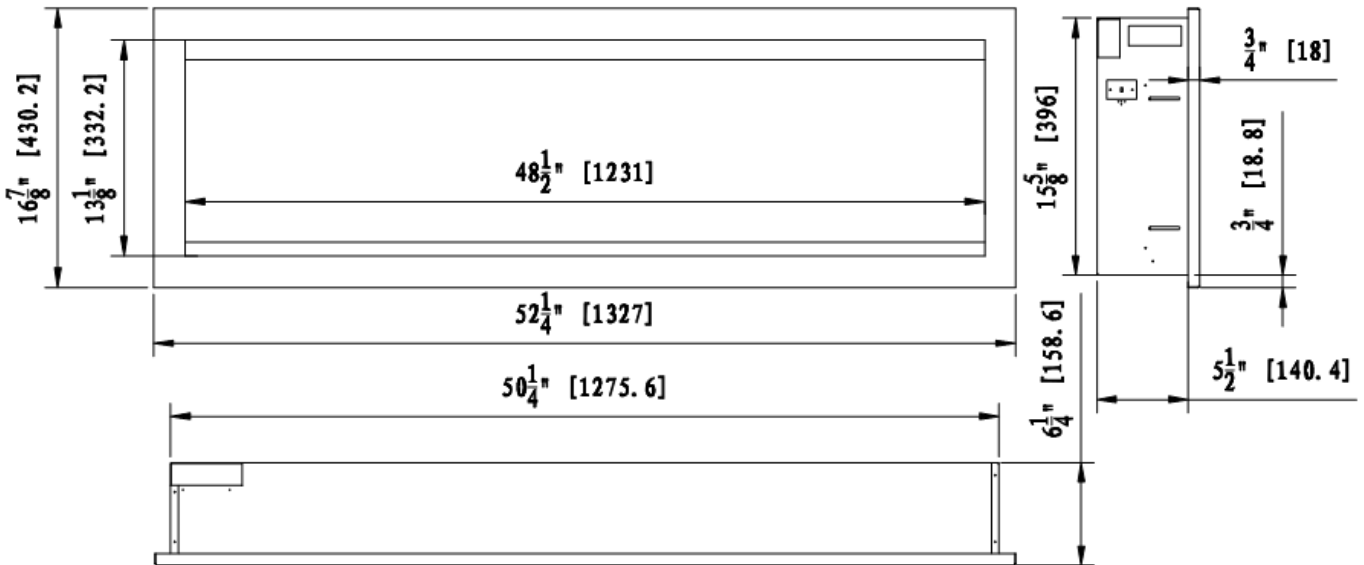
**NOTE: This appliance must be electrically wired and grounded in accordance with local codes. In the absence of local codes, use the current CSA C22.1 Canadian Electrical Code in Canada or the ANSI/NFPA 70 National Electrical Code in the United States.**



Description	Built-in Appliance
Voltage	120V AC 60Hz
Watts	1200W Max
NO HEATER	33W
MOTOR HEATER	19W
Appliance Width	50 1/4" or 127.6 cm
Appliance Height	15 5/8 " or 39.6 cm
Appliance Depth	5 1/2" or 14 cm
Gross Weight	79.8 lbs or 36.2 kgs
Plug Location	Left side
Cord Length	70 7/8" or 180 cm
Rough Wall Opening Size	51 1/4"× 16" or 130.2 cm× 40.6 cm
BTU	4095

This appliance has been tested in accordance with the UL Standard 2021 for fixed and location dedicated electric room appliances in the United States and Canada. If you need assistance during installation, please contact your local dealer.

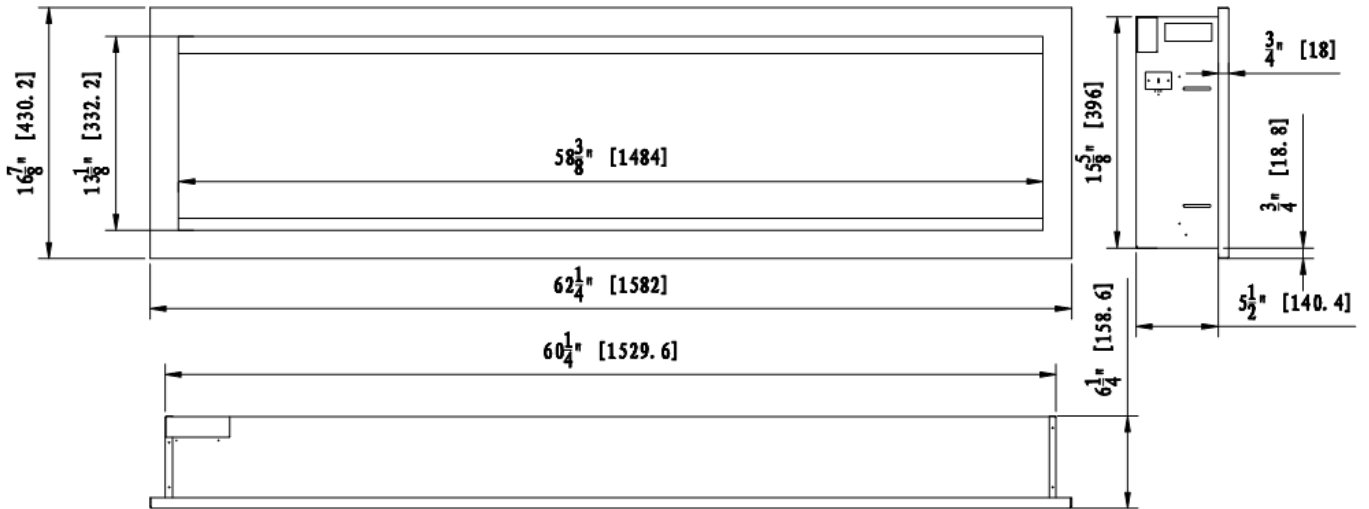
**NOTE: This appliance must be electrically wired and grounded in accordance with local codes. In the absence of local codes, use the current CSA C22.1 Canadian Electrical Code in Canada or the ANSI/NFPA 70 National Electrical Code in the United States.**



Description	Built-in Appliance
Voltage	120V AC 60Hz
Watts	1200W Max
NO HEATER	35W
MOTOR HEATER	19W
Appliance Width	60 1/4" or 153 cm
Appliance Height	15 5/8" or 39.6 cm
Appliance Depth	5 1/2" or 14 cm
Gross Weight	92.6 lbs or 42 kgs
Plug Location	Left side
Cord Length	70 7/8" or 180 cm
Rough Wall Opening Size	61 1/4"× 16" or 155.5 cm× 40.6 cm
BTU	4095

This appliance has been tested in accordance with the UL Standard 2021 for fixed and location dedicated electric room appliances in the United States and Canada. If you need assistance during installation, please contact your local dealer.

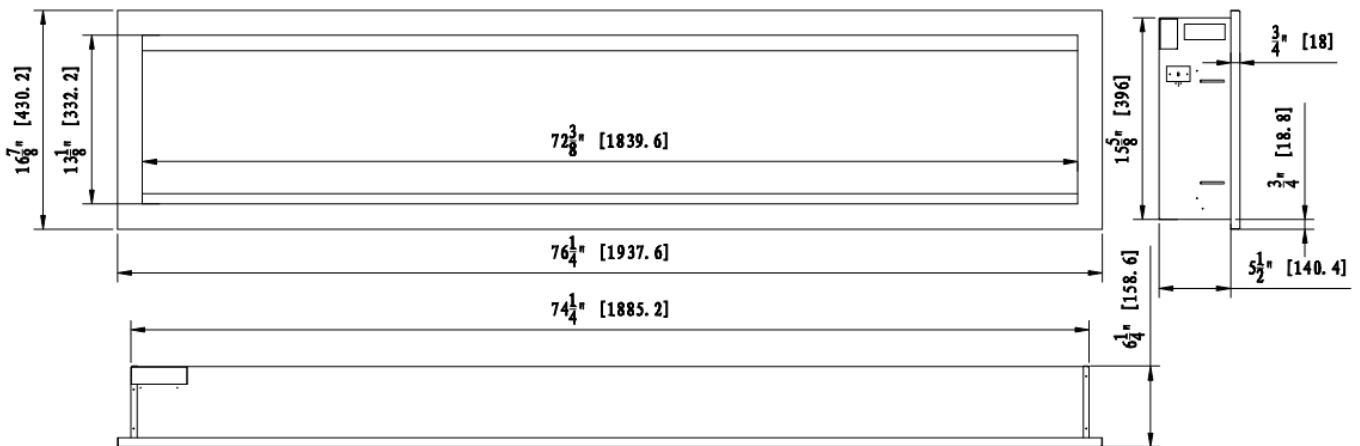
**NOTE: This appliance must be electrically wired and grounded in accordance with local codes. In the absence of local codes, use the current CSA C22.1 Canadian Electrical Code in Canada or the ANSI/NFPA 70 National Electrical Code in the United States.**



Description	Built-in Appliance
Voltage	120V AC 60Hz
Watts	1200W Max
NO HEATER	36W
MOTOR HEATER	19W
Appliance Width	74 1/4" or 188.5 cm
Appliance Height	15 5/8" or 39.6 cm
Appliance Depth	5 1/2" or 14 cm
Gross Weight	108 lbs or 49 kgs
Plug Location	Left side
Cord Length	70 7/8" or 180 cm
Rough Wall Opening Size	75 1/4"× 16" or 191.2 cm× 40.6 cm
BTU	4095

This appliance has been tested in accordance with the UL Standard 2021 for fixed and location dedicated electric room appliances in the United States and Canada. If you need assistance during installation, please contact your local dealer.

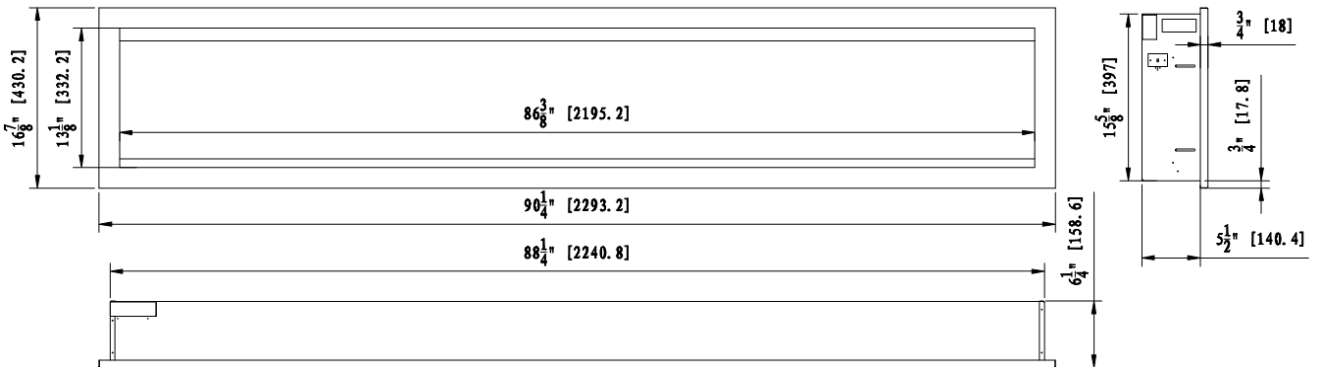
**NOTE: This appliance must be electrically wired and grounded in accordance with local codes. In the absence of local codes, use the current CSA C22.1 Canadian Electrical Code in Canada or the ANSI/NFPA 70 National Electrical Code in the United States.**



Description	Built-in Appliance
Voltage	120V AC 60Hz
Watts	1200W Max
NO HEATER	38W
MOTOR HEATER	19W
Appliance Width	88 1/4" or 224.1 cm
Appliance Height	15 5/8 " or 39.6 cm
Appliance Depth	5 1/2" or 14 cm
Gross Weight	123 lbs or 56 kgs
Plug Location	Left side
Cord Length	70 7/8" or 180 cm
Rough Wall Opening Size	89 1/4"× 16" or 226.6 cm× 40.6 cm
BTU	4095

This appliance has been tested in accordance with the UL Standard 2021 for fixed and location dedicated electric room appliances in the United States and Canada. If you need assistance during installation, please contact your local dealer.

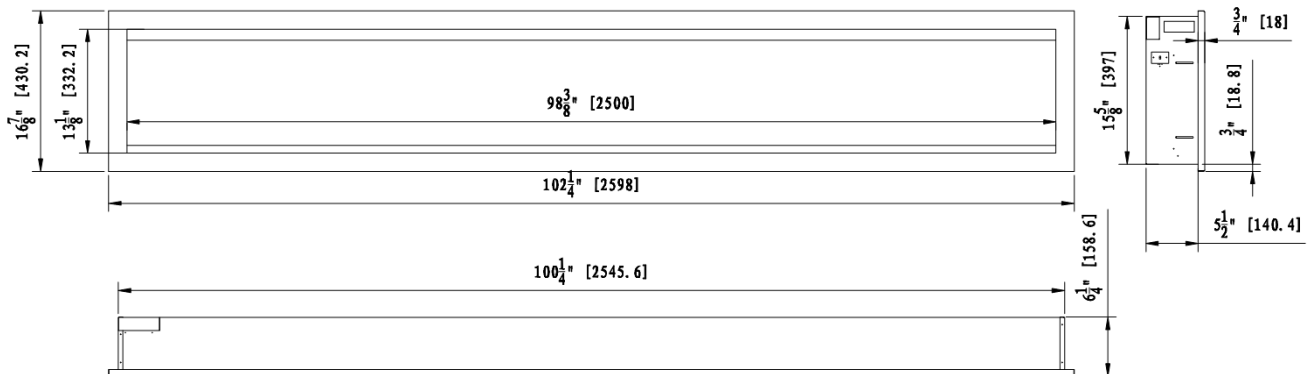
**NOTE: This appliance must be electrically wired and grounded in accordance with local codes. In the absence of local codes, use the current CSA C22.1 Canadian Electrical Code in Canada or the ANSI/NFPA 70 National Electrical Code in the United State**



Description	Built-in Appliance
Voltage	120V AC 60Hz
Watts	1200W Max
NO HEATER	39W
MOTOR HEATER	19W
Appliance Width	100 1/4" or 254.6 cm
Appliance Height	15 5/8 " or 39.6 cm
Appliance Depth	5 1/2" or 14 cm
Gross Weight	136.68 lbs or 62 kgs
Plug Location	Left side
Cord Length	70 7/8" or 180 cm
Rough Wall Opening Size	101 1/4"× 16" or 257.1 cm× 40.6 cm
BTU	4095

This appliance has been tested in accordance with the UL Standard 2021 for fixed and location dedicated electric room appliances in the United States and Canada. If you need assistance during installation, please contact your local dealer.

**NOTE: This appliance must be electrically wired and grounded in accordance with local codes. In the absence of local codes, use the current CSA C22.1 Canadian Electrical Code in Canada or the ANSI/NFPA 70 National Electrical Code in the United States.**



## **FOR BATHROOM USE**

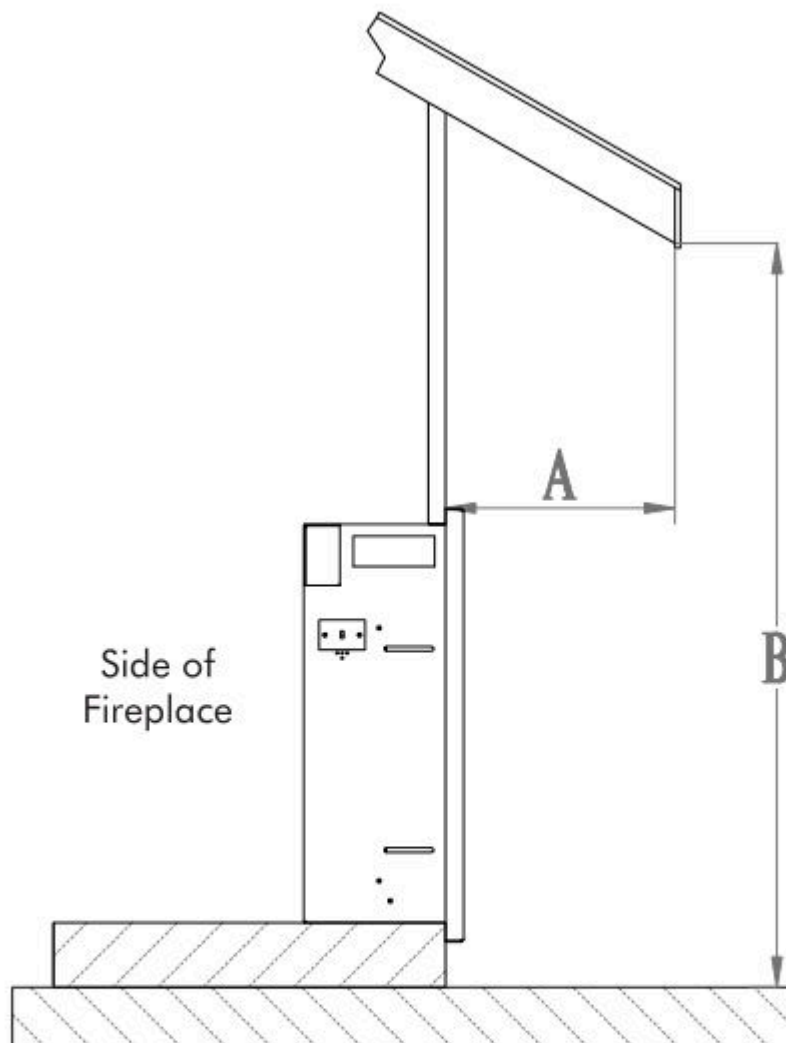
If this unit is installed in a bathroom it must be protected by a GFI receptacle or circuit. If receptacle is used it must be readily accessible.

To prevent electric shock, please be aware that this unit is an electrical appliance that is NOT watertight and must be installed as to prevent water from entering unit. This must be installed away from showers, tubs, etc. Never locate fireplace where it may fall into a bathtub or other water container.

All wiring connections to line power shall be in accordance with local building code requirements. Inquires about local codes and regulations must be done prior to installation.

## OUTDOOR INSTALLATIONS

These series electric fireplaces are suitable for installation in outdoor areas protected from direct water impingement. In addition to maintaining the listed mantel and combustibles clearances, a rain protection overhang factor of 1/2 shall be constructed to the front and to each side of the installed appliance. See illustration below. All wiring connections to line power shall be in accordance with local building code requirements. Inquires about local codes and regulations must be done prior to installation.



The overhang (A) must extend at least 1/2 the roof-line height. Height is measured from the base of the fireplace.

For example: if the roof-line (B) is 8' above the base of the fireplace, the overhang (A) must be at least 4'.

## INSTALLATION-WALL MOUNT

NOTE: Due to the many different materials used to build walls, it is highly recommended that you consult your local builder before you install this appliance on a wall.

1. Select a location that is not prone to moisture and is located at least 0.91 m or 3 feet away from combustible materials such as curtains or drapes, furniture, bedding, paper, etc.
2. Using a spirit level to select a position in which to mount the heater horizontally. See Figure 1.
3. Check the wall to ensure there is no wiring, pipe wires etc in the area to be drilled. Drill 8 or more holes depending on the size of the unit purchased, (8mm diameter & 40mm depth) using a suitable size drill bit and insert the wall plugs into the holes.
4. Remove the hanger from the fireplace by removing the screws. See Figure 2.
5. Fasten the hanger to the wall. See Figure 3.
6. To prevent fireplace from moving, use the provided safety screw to fasten the fireplace to the wall. See Figure 4.

**WARNING: Be sure that the bolts have been fixed firmly enough to withstand the weight!**

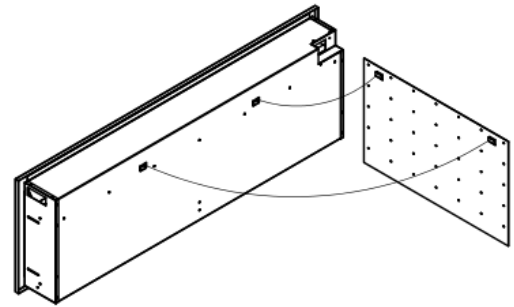


Fig. 2

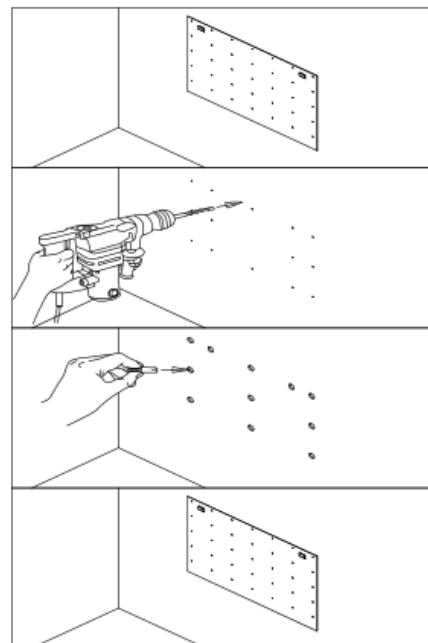


Fig.3

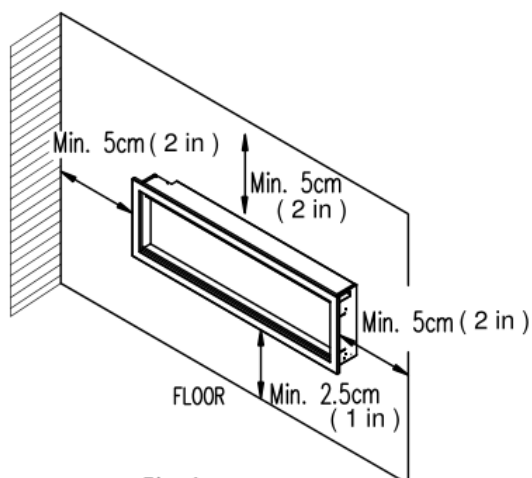


Fig. 1

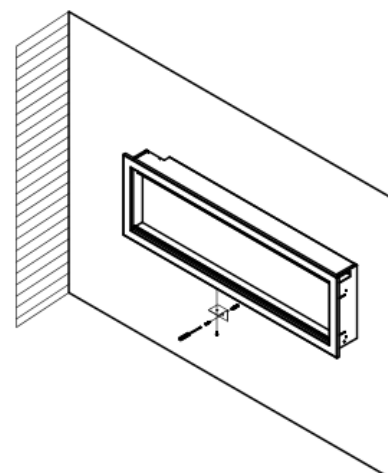


Fig. 4

## INSTALLATION- BUILT-IN

NOTE: Due to the many different materials used to build walls, it is highly recommended that you consult your local builder before you install this appliance on a wall.

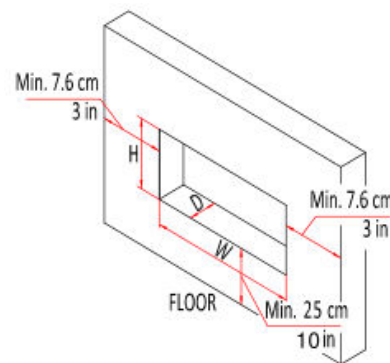
### Preparation

1. Select a location that is not prone to moisture and is located at least 0.91m or 3 feet away from combustible materials such as curtains, drapes, furniture, bedding, paper, etc.
2. Mark the desired location on the floor and store the appliance in a safe, dry and dust free place.
3. Prepare a wall with a framed opening to accommodate the size of your unit. Leave at least 1/4" (6mm) around the edge of the appliance. Any new wiring must be done in compliance with local and national codes and other applicable regulations.

Prior to installing, test the appliance to make sure the appliance is fully operational by plugging the power supply cord into a 120 Volt grounded outlet.

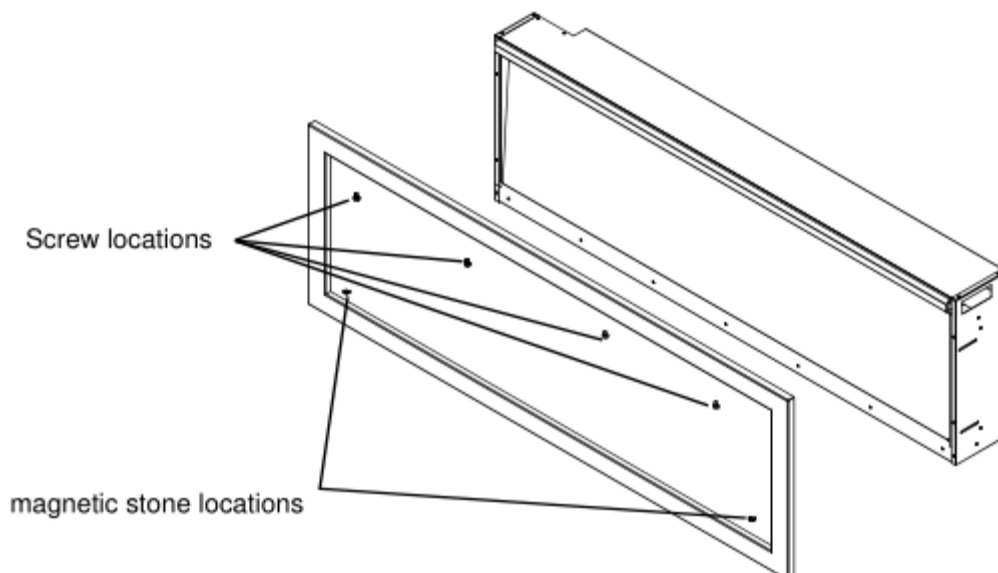
The rough wall opening size of the fireplace:

W(“)	D(“)	H(“)
33 3/8	6	16
43 1/4	6	16
51 1/4	6	16
61 1/4	6	16
75 1/4	6	16
89 1/4	6	16
101 1/4	6	16

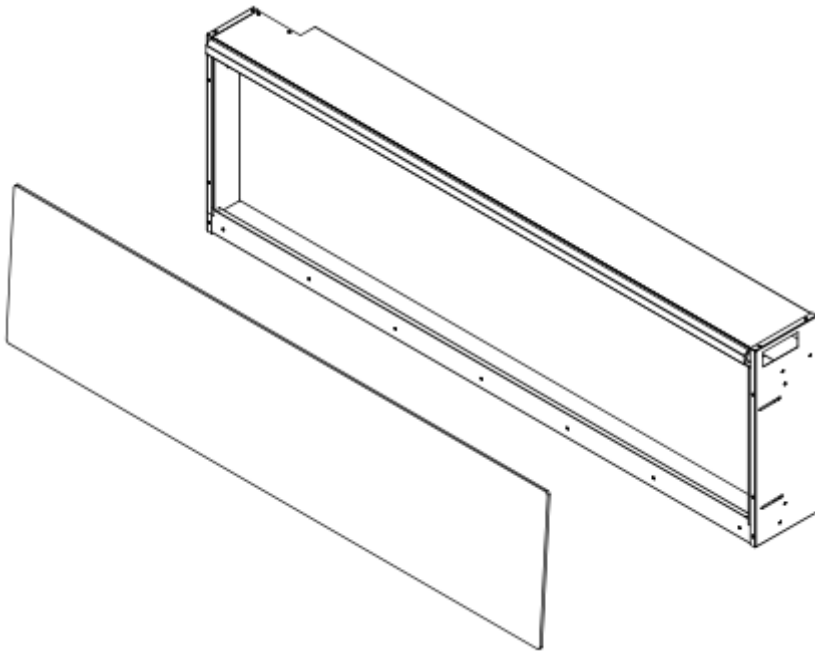


## INSTALLATION

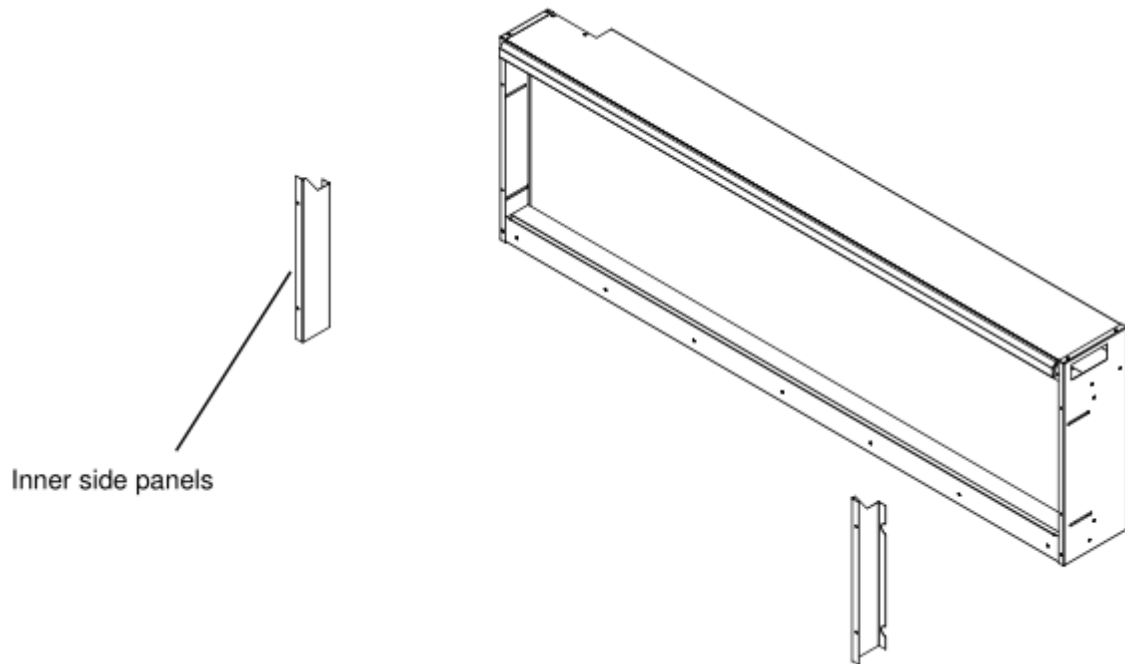
1. Unscrew 4 screws and take off the trim. (NOTE: Keep hold of the front glass as it may fall down automatically when the trim is removed.)



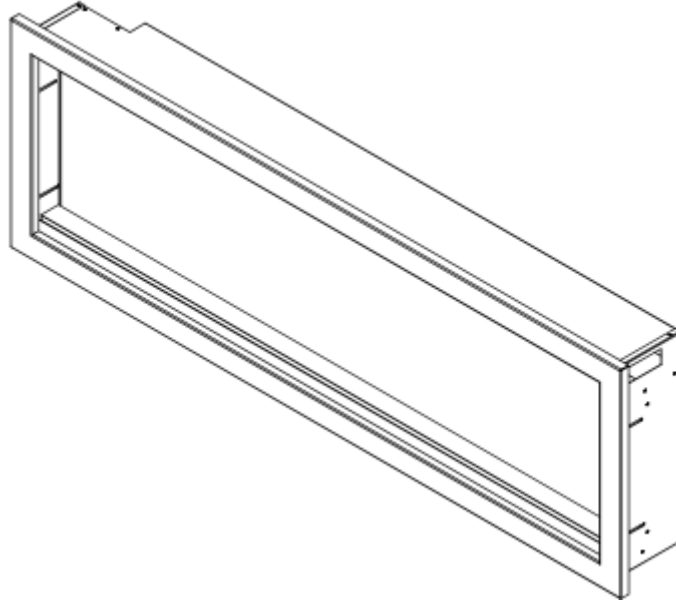
2. When the trim is removed, take off the front glass panel.



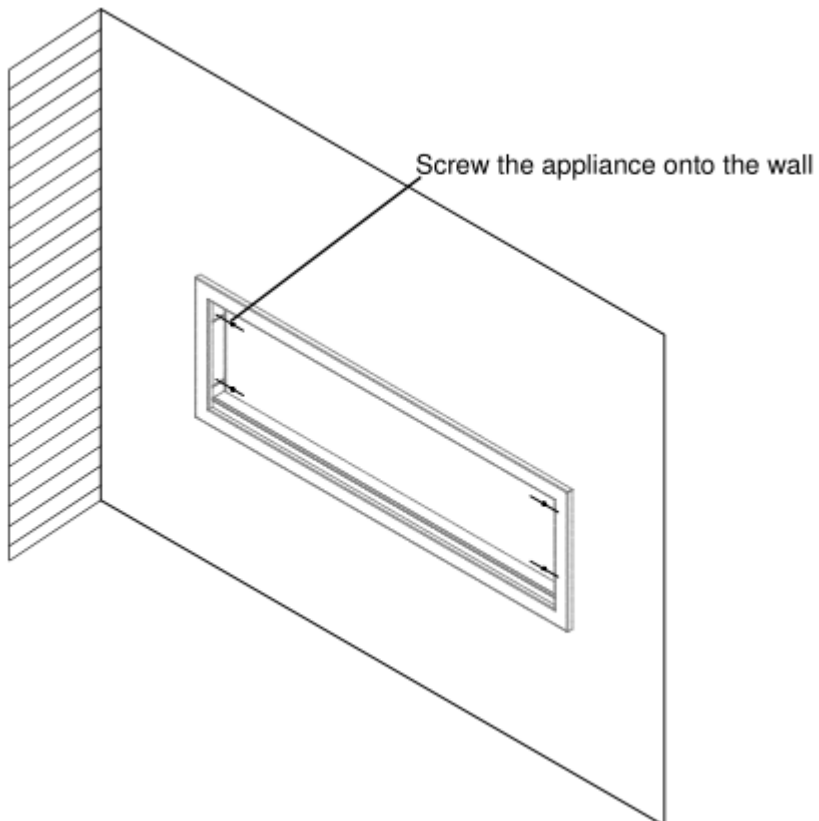
3. Unscrew the 2 screws located on each side and take off the inner side steel panels.



- Put the trim back onto the appliance and fasten with screws.(NOTE: This step is to make sure that the fireplace fits the wall opening well and there is no gap between the trim and the wall after installation)

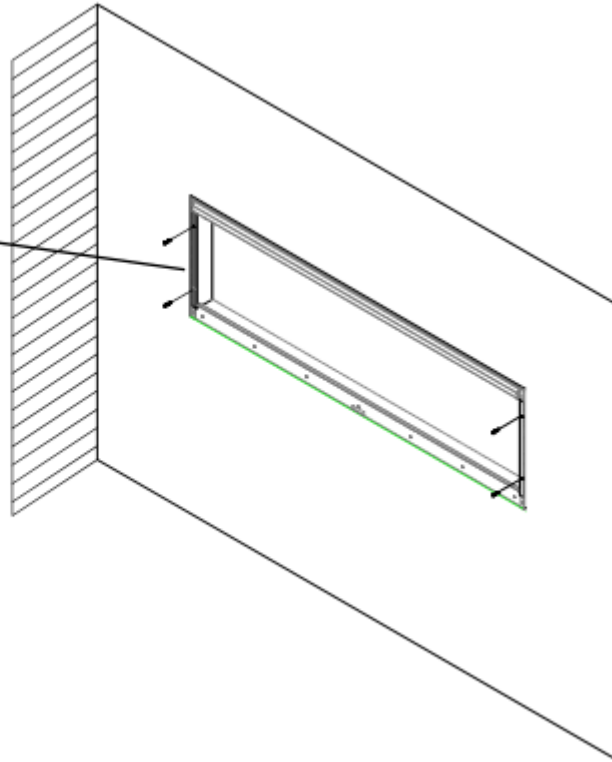


- Put the fireplace into the wall opening and fix it to the wall by screwing 2 screws each side.

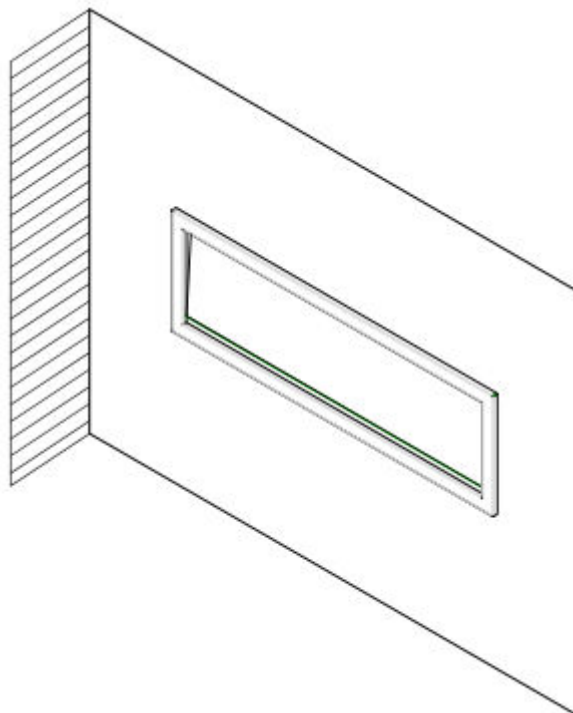


6. Remove the trim following STEP 1. Screw back the inner side steel panels.

Screw back the inner side panels that you removed at STEP 3.



7. Put back the front glass panel and screw back the trim after you finish the media decoration.

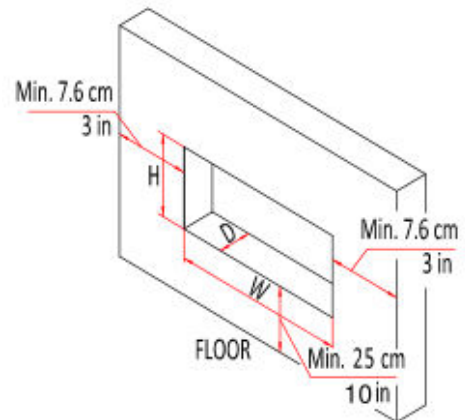


## INSTALLATION SEMI-FLUSH BUILT-IN WITHIN 2 X 4'S

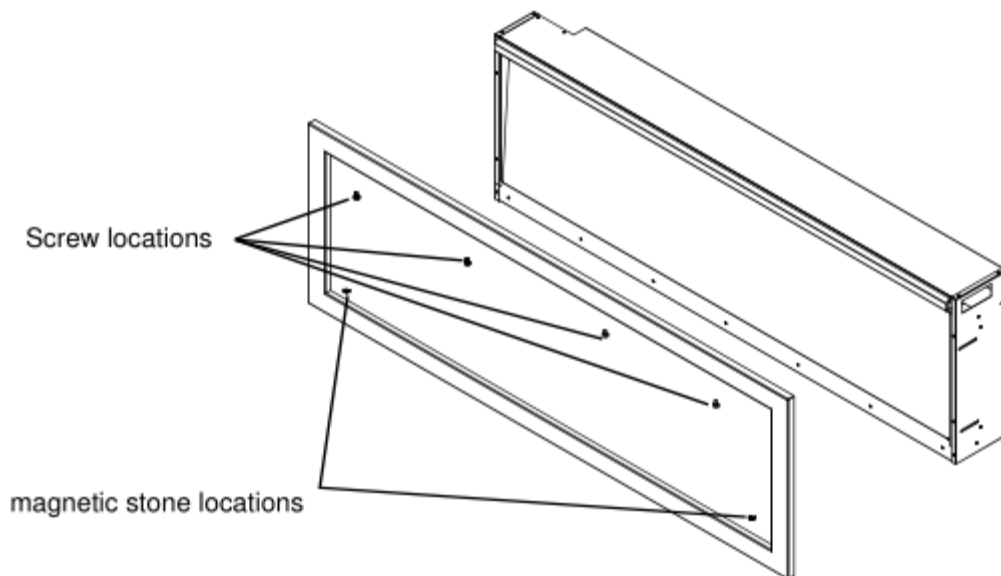
**NOTE:** Please purchase special trim for the semi-flush built-in installation from dealer. See dealer for more details.

The rough wall opening size of the fireplace:

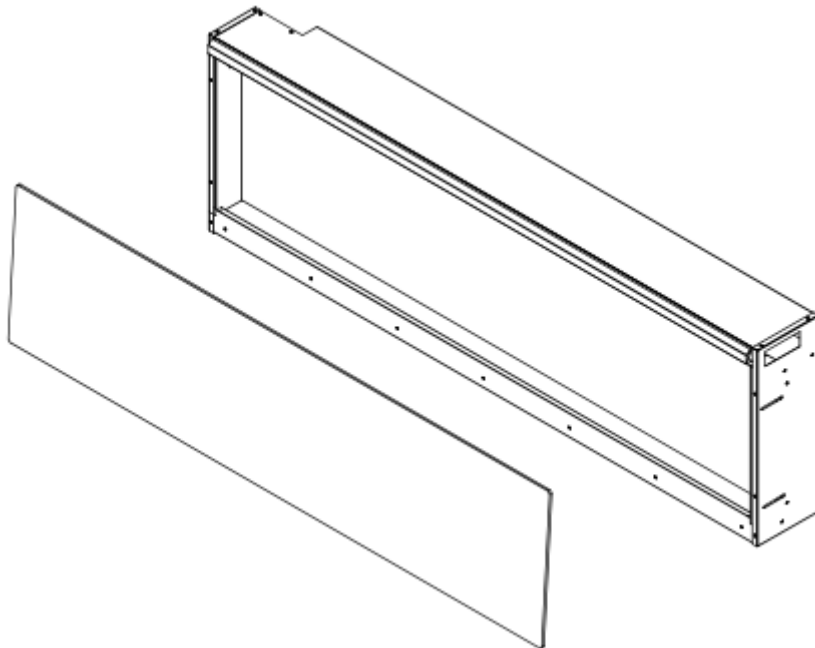
W(“)	D(“)	H(“)
33 3/8	4	16
43 1/4	4	16
51 1/4	4	16
61 1/4	4	16
75 1/4	4	16
89 1/4	4	16
101 1/4	4	16



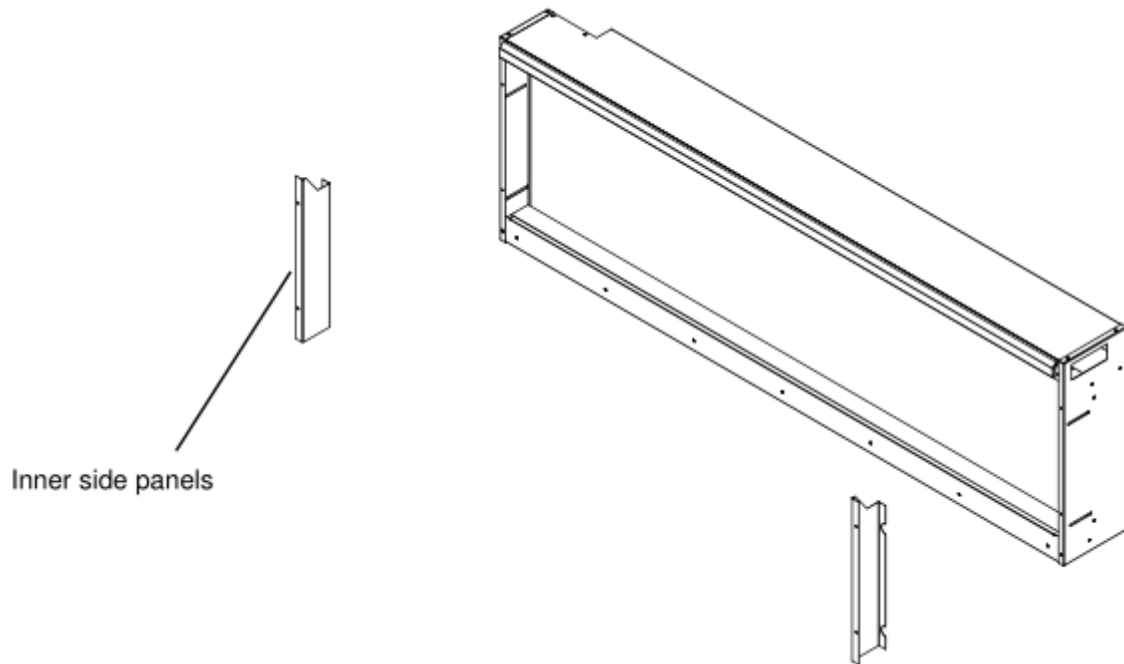
1. Unscrew 4 screws and take off the trim. (NOTE: Keep hold of the front glass as it may fall down automatically when the trim is removed.)



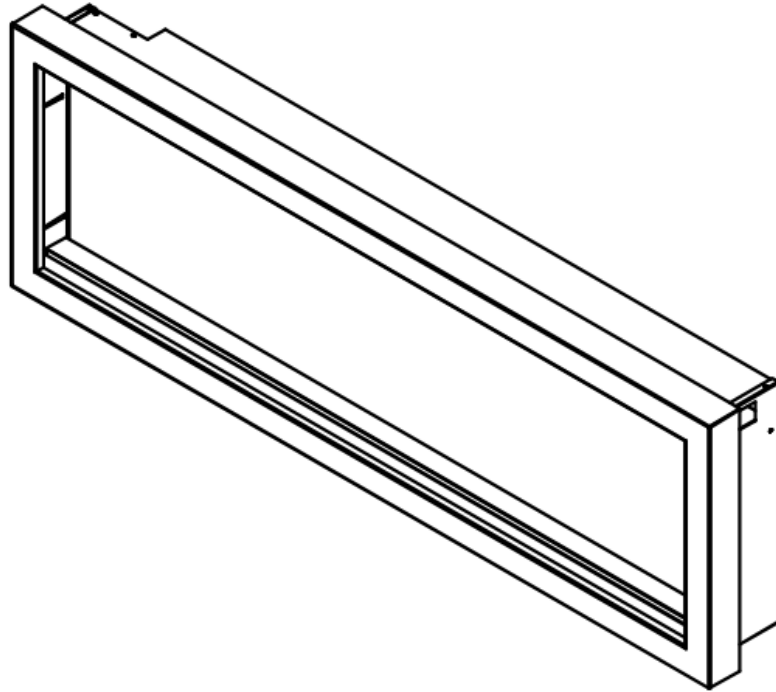
2. When the trim is removed, take off the front glass panel.



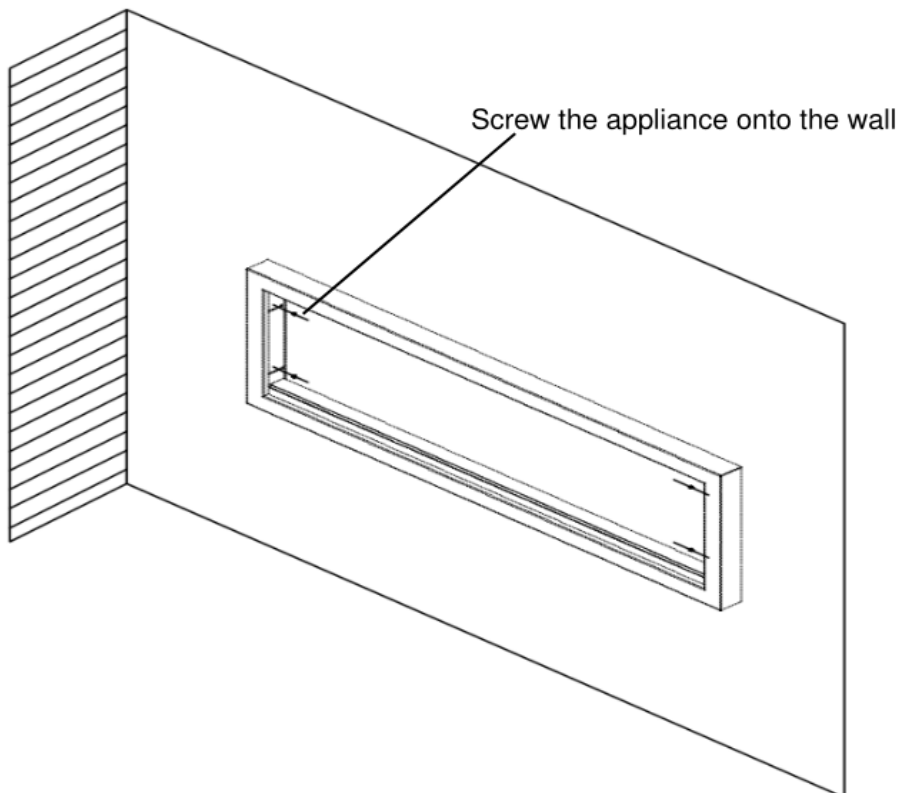
3. Unscrew the 2 screws located on each side and take off the inner side steel panels.



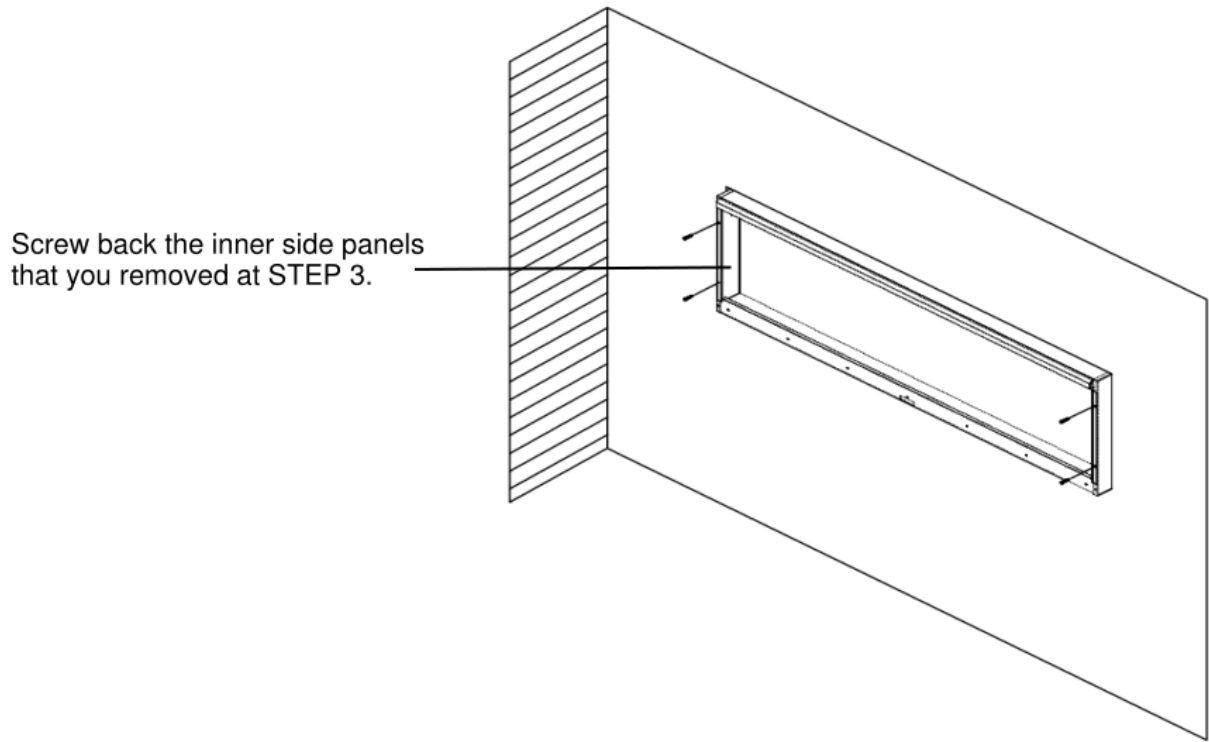
- Put the trim back onto the appliance and fasten with screws.(NOTE: This step is to make sure that the fireplace fits the wall opening well and there is no gap between the trim and the wall after installation)



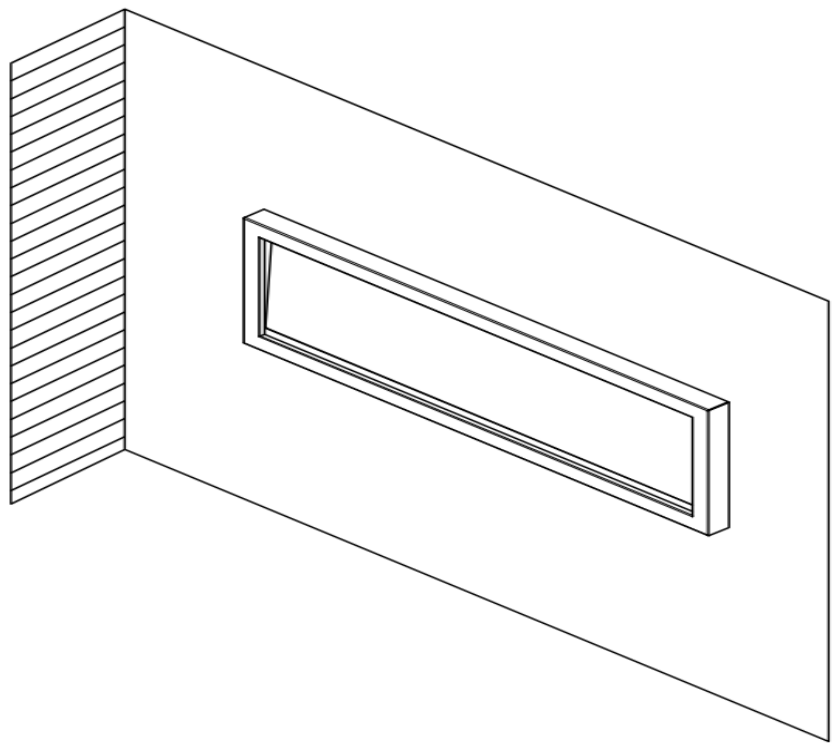
- Put the fireplace into the wall opening and fix it to the wall by screwing 2 screws each side.



6. Remove the trim following STEP 1. Screw back the inner side steel panels.



7. Put back the front glass panel and screw back the trim after you finish the media decoration.



## HARD- WIRE INSTALLATION

Turn off the appliance completely and let cool before servicing. Only a qualified service person should service and repair this electric appliance.

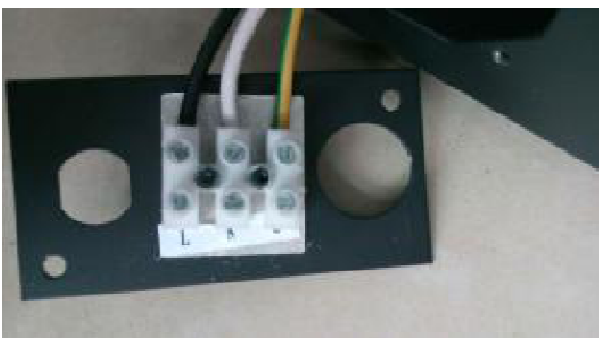
If it is necessary to hard-wire this appliance, a qualified electrician must remove the cord connection, and wire the appliance directly to the house hold wiring.

This appliance must be electrically connected and grounded in accordance with local codes, if hard-wired. In the absence of local codes, use the current CSA C22.1 CANADIAN ELECTRICAL CODE in Canada or the current ANSI/NFPA 70 NATIONAL ELECTRICAL CODE in the United States.

1. Remove the cover plate from the left side of the appliance by removing the two screws, as shown below. Unscrew and remove power cord.



2. Attach the wiring to the junction block. Please make sure the live wire goes into the "L", the neutral wire into "N" and the ground wire into "G".



3. Return the cover plate to the left side and screw the two screws back in to fasten the plate.

## MEDIA OPTIONS

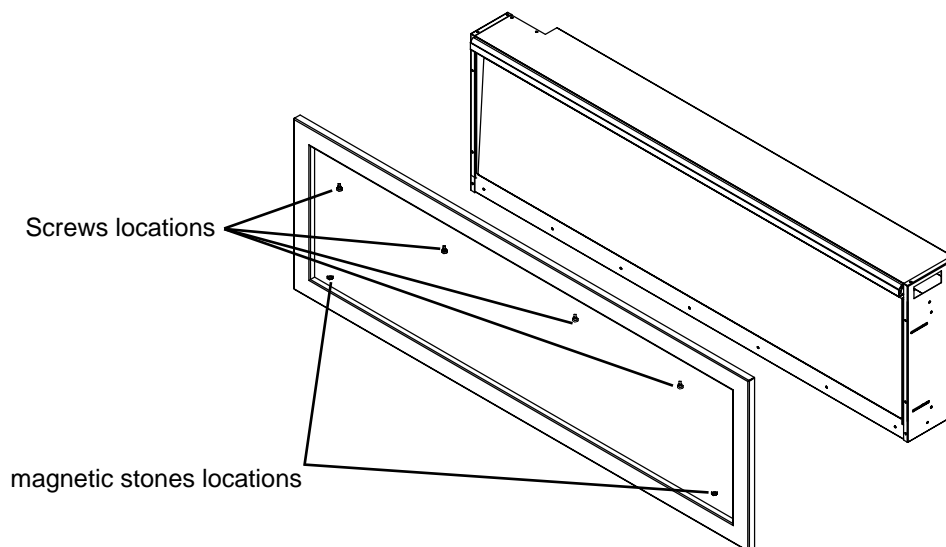
The only media that comes with this appliance is 'Clear decorative media'. Consumers may purchase optional decorative media if they choose. See dealer for more details.



Clear

## DECORATIVE MEDIA INSTALLATION

Unscrew 4 screws and take off the trim. (NOTE: Keep hold of the front glass as it may fall down automatically when the trim is removed.)



## INSTALLING THE DECORATIVE MEDIA

Pour the fire glass media into the tray. Feel free to use any combination of the fire glass media that you find most appealing. Put back the trim and front glass after you finish installing the fire glass.

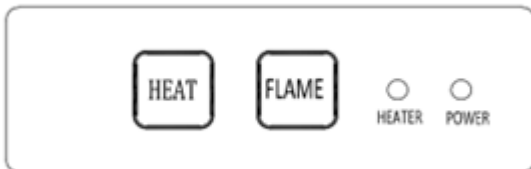


## OPERATION

The fireplace can be operated either by the switches located on the left bottom of the fireplace unit or by supplied remote control.

Plug the fireplace into a 15 Amp wall socket.

## MANUAL OPERATION



1. Press the **Heat** button repeatedly to set the heater to desired heat setting. The heater indicator LED will glow which shows the current heater settings.
  - a) RED 1200W HEAT OUTPUT
  - b) BLUE 600W HEAT OUTPUT
  - c) PURPLE AUTO MODE

### AUTO MODE

Under this mode the heater will automatically turn ON at high heat setting 1200W heat output when the room temperature drops below 22°C (72°F). When the room temperature is between 22-25°C (72-77 °F) the heater output will switch to low heat setting 600W. When the room temperature goes above 25°C (77°F) the heater will be turned off and the cycle will continue. The LED indicator will be PURPLE in colour under this mode.

2. Flame effect: Press the button marked **Flame** to adjust the flame brightness. The flame brightness will cycle through –Low–Medium–High–OFF.

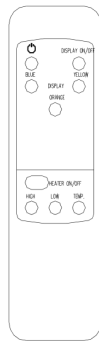
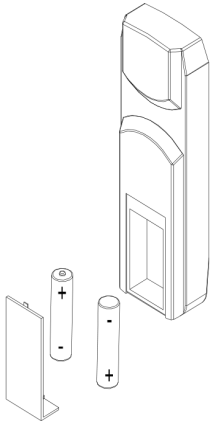
**NOTE:** If operated at the Low heat setting, the fireplace will not provide as much heat output as in the High heat setting, however the low setting will not require as much electrical power to operate.

To avoid overloading a circuit, do not plug the fireplace into a circuit that already has other appliances working. When the fireplace is not in use switch off and unplug.

## SAFETY CUT-OFF

- This appliance is fitted with a safety cut-off which will operate if the fireplace overheats (e.g. Due to blocked air vents). For safety reasons, the fireplace will NOT automatically reset.
- To reset the appliance, disconnect the appliance from the main supply for at least 10 minutes. Reconnect the supply to the main and switch on the appliance.

## REMOTE CONTROL OPERATION



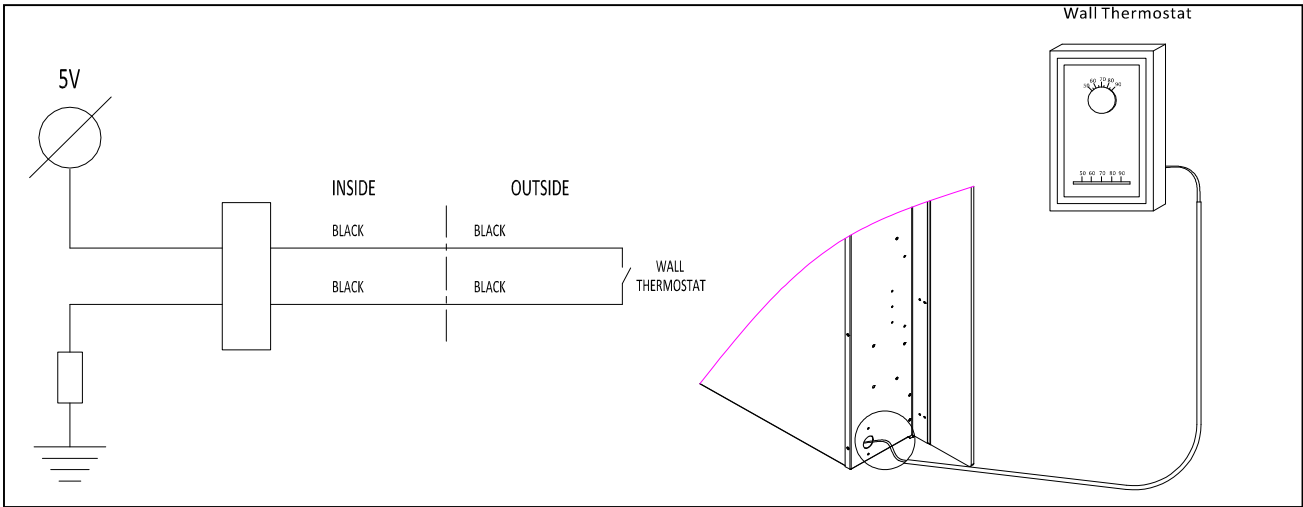
For remote to function make sure the heater is plugged in and the main power switch located on the bottom left hand side is at position I.

Important: When operating the remote make sure you point the remote to the center of the fireplace each time you press the button. There will be a beep tone emitted. There can be a slight delay for the receiver to respond to the transmitter. Do not PRESS the buttons more than once within two seconds for correct operation.

	<p><b>Power on</b> </p>	<p>The power-on button at top left corner of the remote is the mains ON/OFF power button. This will turn off all the functions and the fireplace will be in standby mode.</p>
	<p><b>DISPLAY ON/OFF</b></p>	<p>Turns the fireplace flame and tray light ON/OFF. It will recall the last settings used on the fireplace.</p>
	<p><b>BLUE</b></p>	<p>Each click adjusts the intensity of the blue flame. Use alone or in addition to yellow and/or orange.</p>
	<p><b>YELLOW</b></p>	<p>Each click adjusts the intensity of the yellow flame. Use alone or in addition to blue and/or orange.</p>
	<p><b>ORANGE</b></p>	<p>Each click adjusts the intensity of the orange flame. Use alone or in addition to yellow and/or blue.</p>
	<p><b>HEATER ON/OFF</b></p>	<p>Turns the heater ON/OFF. It will recall the last settings used on the fireplace.</p>
	<p><b>HIGH</b></p>	<p>Press the high button to switch the heater to high heat setting 1200W</p>
	<p><b>LOW</b></p>	<p>Press the low button to switch the heater to low heat setting 600W</p>
	<p><b>TEMP</b></p>	<p>Under this mode the heater will automatically turn ON at high heat setting 1200W heat output when the room temperature drops below 22°C(72°F). When the room temperature is between 22-25 °C(72-77 °F) the heat output will switch to low heat setting 600W. When the room temperature goes above 25°C(77°F) the heater will be turned off and the cycle will continue. The LED indicator will be PURPLE in colour under this mode.</p>

# INSTALLING WALL THERMOSTAT

## WALL THERMOSTAT WIRING DIAGRAMS



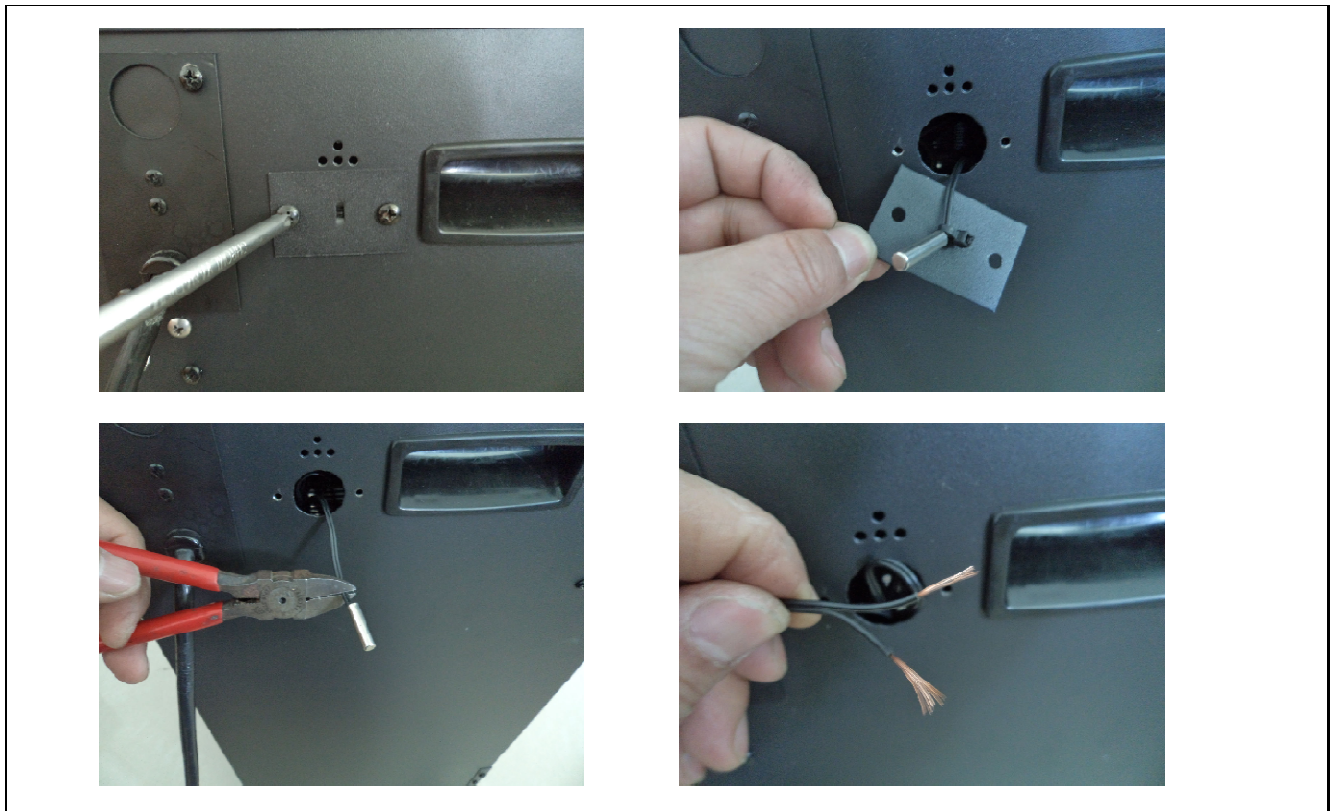
**NOTE:** The wall thermostat will be functioning when the heater is on the **TEMP.** setting.

**Wire the wall thermostat prior to installing the fireplace.**

### WALL THERMOSTAT WIRING(24 VAC)

**Install Wall Thermostat per instructions provided with kit and per the following information:**

1. Turn off circuit breaker.
2. Remove cover plate located on the rear upper left side of the appliance.
3. Pull the wire out and cut the inside thermostat. Connect the wires to the wall thermostat as shown below. Follow the instructions provided with wall switch kit.



## REPLACEMENT PARTS

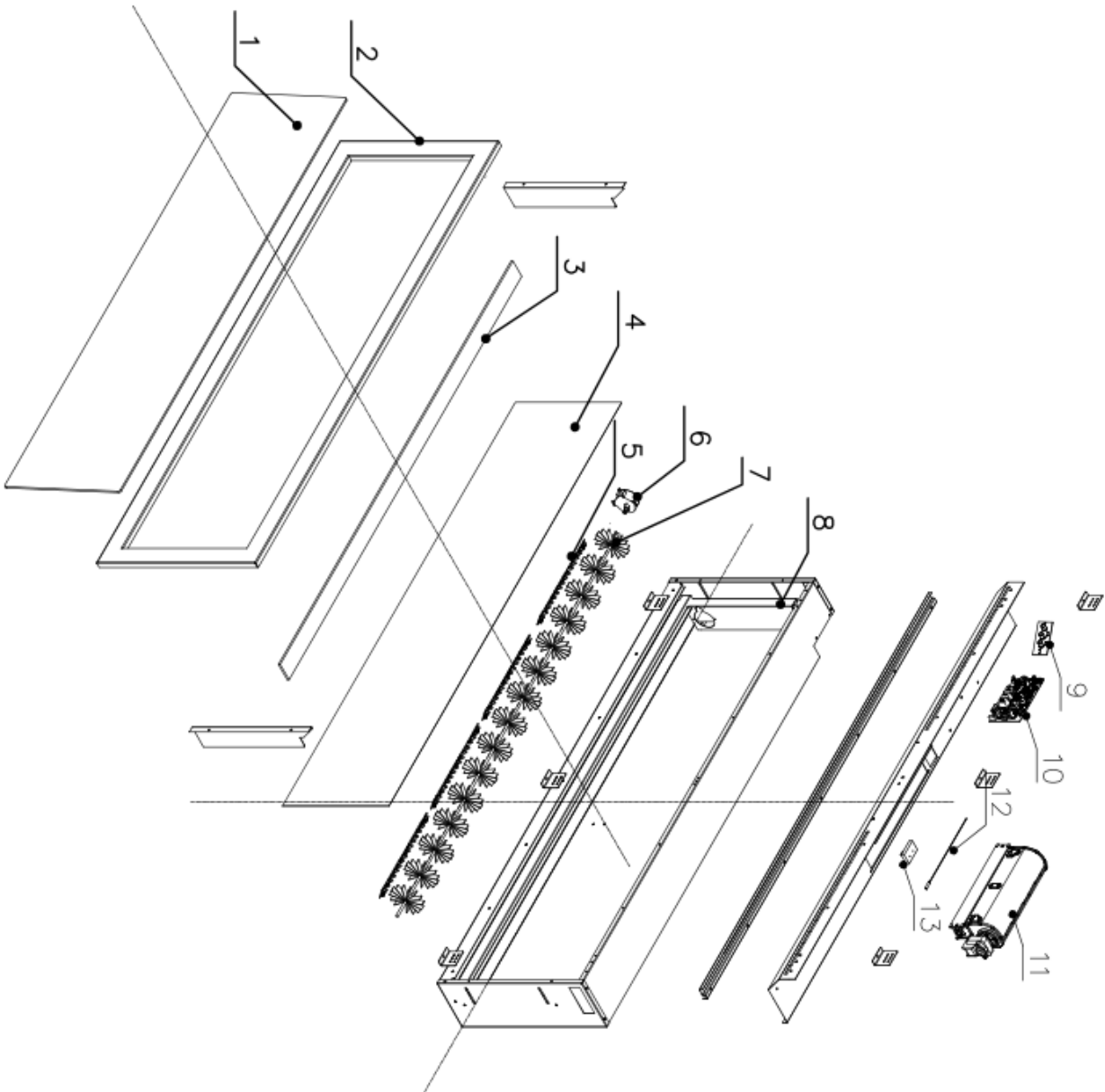
NO	DESCRIPTION	QTY
1	FRONT GLASS	1
2	TRIM	1
3	EMBER BED GLASS	1
4	BACK GLASS	1
5	LED STRIP FOR FLAME	
6		
7	LED STRIP FOR EMBER BED	
8		
9	FLAME MOTOR	1
10	FLICKER ASSEMBLY	1
11	FIRE BOX	1
12	CONTROL PANEL	1
13	CIRCUIT BOARD	1
14	BLOWER AND HEATER ASSEMBLY	1
15	TEMPERATURE SENSOR	1
16	REMOTE RECEIVER	1
17	REMOTER	1

NOTE: Remote control and canopy light are not shown at the exploded view.

NO	DESCRIPTION	QTY
1	FRONT GLASS	1
2	TRIM	1
3	EMBER BED GLASS	1
4	BACK GLASS	1
5	LED STRIP FOR FLAME	
6		
7	LED STRIP FOR EMBER BED	
8		
9	FLAME MOTOR	1
10	FLICKER ASSEMBLY	1
11	FIRE BOX	1
12	CONTROL PANEL	1
13	CIRCUIT BOARD	1
14	BLOWER AND HEATER ASSEMBLY	1
15	TEMPERATURE SENSOR	1
16	REMOTE RECEIVER	1
17	REMOTER	1

NOTE: Remote control and canopy light are not shown at the exploded view.

# EXPLODED VIEW



## TROUBLE SHOOTING

<b>PROBLEM</b>	<b>POSSIBLE CAUSE</b>	<b>SOLUTION</b>
Dim or no flame	Flame LED's are burnt out	Inspect the LED's and replace them if necessary
	Back black cloth is falling off and roll the flicker	Change a new flicker and back black cloth
Ember bed is not glowing or dimming	Ember LED's are burnt out	Inspect the ember bed LED's and replace them if necessary
Appliance turns off and will not turn on	Appliance has overheated and safety device has caused the thermal switch to disconnect	Turn off the main switch, allow appliance to cool for 10 minutes, then turn it on
	House circuit breaker has tripped	Reset house circuit breaker
	Appliance's fuse has blown	Replace the fuse
Appliance will not come on when switch is flipped to ON	Appliance is not plugged into an electrical outlet	Check plug and plug in
	Appliance has overheated and safety device has caused the thermal switch to disconnect	Turn off the main switch, allow appliance to cool for 10 minutes, then turn on
	Circuit board is burnt out	Inspect the circuit board and replace if necessary
No warm air coming out of appliance	Heater is burnt out	Inspect the burner and heater assembly and replace if necessary
Flame sputters	Flame motor is defective	Call a qualified service technician and replace flame motor
Remote Control does not work	Low batteries Unit switch in "O" position	Replace AAA batteries in remote control Turn the switch in "I" position
Flame is fixed	Wiring may be loose or the flame motor may be defective	



## **WARRANTY FOR PRODUCTS MANUFACTURED**

We warrant that your newly purchased electric fireplace is free from manufacturing and material defects for a period of two (2) years from the date of the first purchase, subject to the conditions and limitations contained below.

### **Warranty Coverage and Term**

Products covered by this limited warranty have been tested and inspected prior to shipment and subject to the terms & conditions of this warranty, we warrant such products to be free from defects in material and workmanship for a period of two(2) year from the date of the first purchase.

The limited two (2) year warranty period for this product also applies to any implied warranties that may exist under applicable law. Some jurisdictions do not allow limitations on how long an implied warranty lasts, so the above limitation may not apply to the purchaser.

### **Defects**

Defects must be brought to the attention of the selling dealer. Please have your proof of purchase, catalogue/model and serial numbers available when contacting dealer; any and all service under the limited warranty requires a proof of purchase of the product. Should a product or part covered by this limited warranty be proven to be defective, in material or workmanship, and during the two (2) year limited warranty period, we will replace such defective product or part without charge. If we are unable to replace such product, or if replacement is not commercially practicable or cannot be timely done, in its sole discretion we may, in lieu of replacement, choose to refund the purchase price for such product or part. We do not cover labor or service charges to replace said parts.