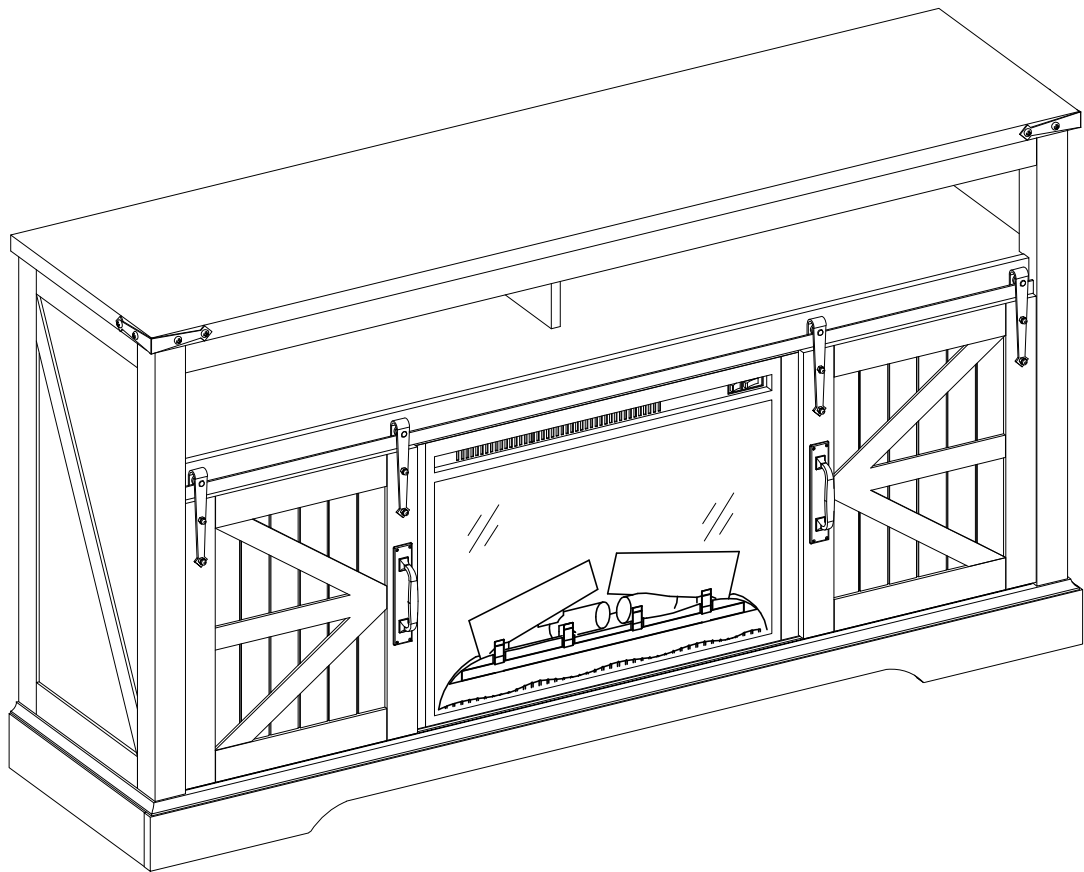
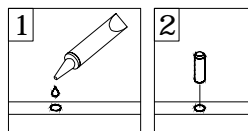


# Assembly Instructions

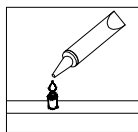


# General Assembly Guidelines

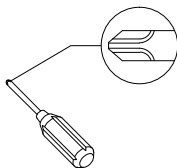
- I. Ensure that all parts and hardware are available before beginning assembly.
- II. Follow each step carefully to ensure the proper assembly of this product.
- III. Two people are recommended for ease in the assembly of this product.
- IV. The three main types of hardware used to assemble this product are : wood dowels , screws and bolts.
- V. The provided glue is to secure wood dowels in place . When first inserting dowels , locate the appropriate hole for the dowel , place a small amount of glue in the hole and insert the dowel . Wipe away excess glue immediately.



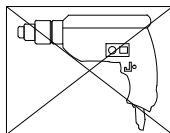
In future assembly steps when dowels are necessary to attach assembly parts together , place a small amount of glue on the end of the dowel before attaching parts together . Wipe away excess glue immediately.



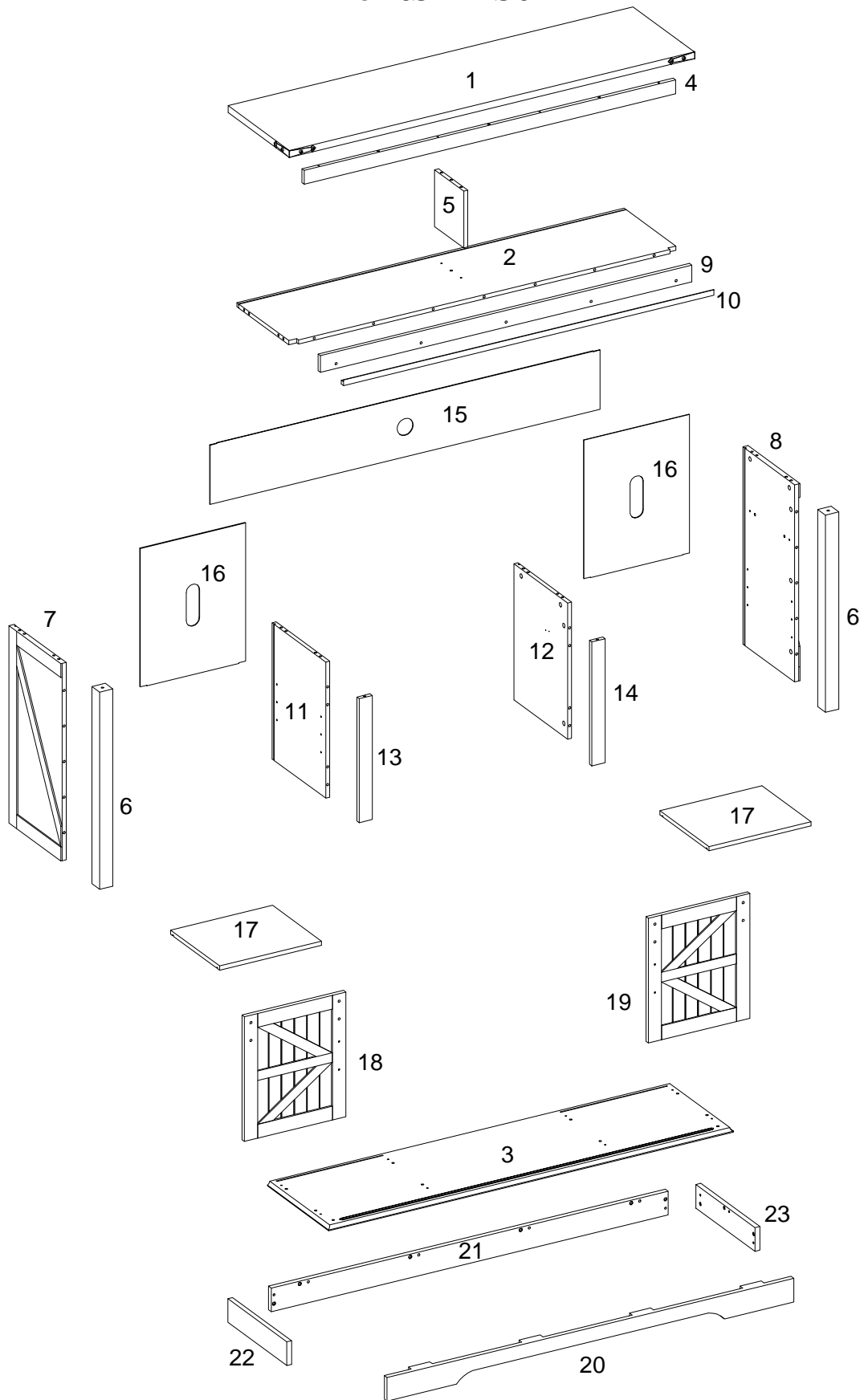
- VI. A Phillips head screwdriver is required for the assembly of this product .




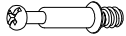


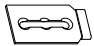


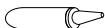
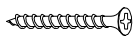
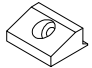





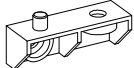
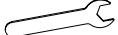

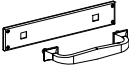
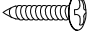


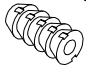
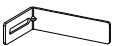

- VII. Power tools should not be used to assemble this product .

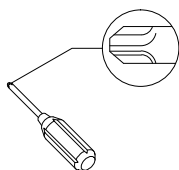


# Parts List



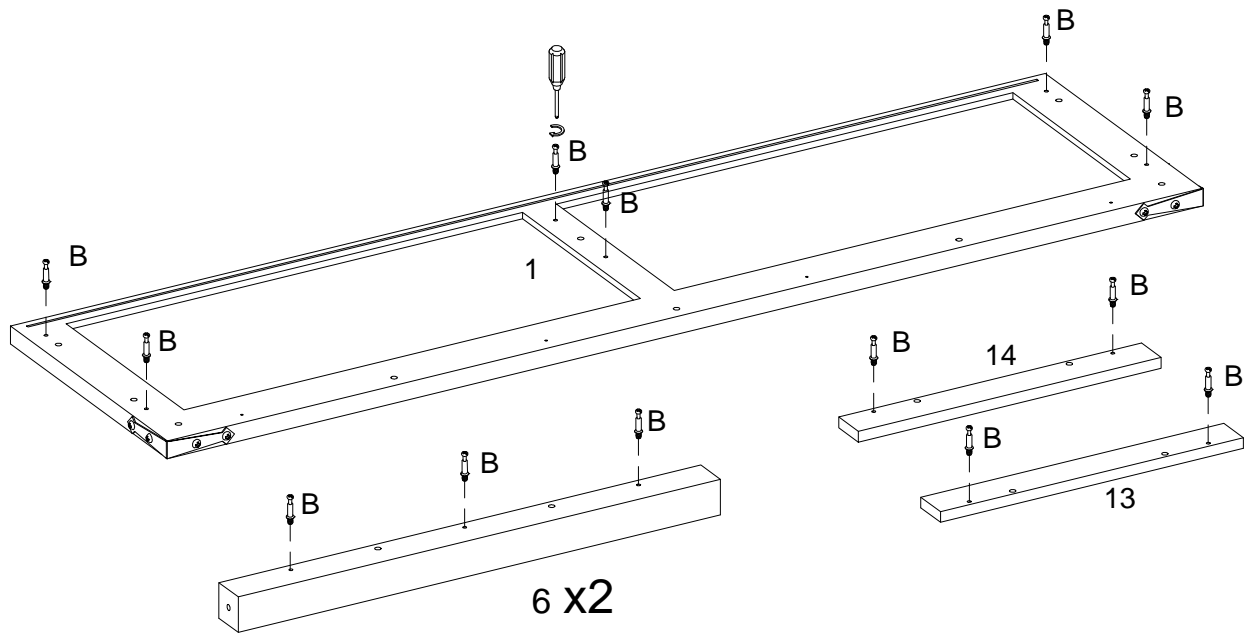
## Hardware List

A		Ø8x30mm	Wood dowel	42 pcs
B		Ø6x35mm	Cam bolt	28 pcs
C		Ø15x11mm	Cam lock	28 pcs
D			Sticker	28 pcs
E			Plate	4 pcs
F		Ø8x5x16mm	Shelf support pin	8 pcs
G		Ø6x13mm	Bolt	28 pcs
H			Glue	1 pcs
I		Ø4x50mm	Screw	14 pcs
J			Plastic wedge	12 pcs
K		Ø3x17mm	Flat-head screw	12 pcs
L		M 4	Hex key	1 pcs
M			Pulley	4 pcs
N			Nut	8 pcs
O		Ø6x25mm	Bolt	13 pcs
P			Connector	14 pcs
Q			Wrench	1 pcs
R		Ø4x12mm	Handle bolt	4 pcs
S			Handle	2 pcs
T		Ø4x12mm	Screw	18 pcs
U		Ø4x25mm	Screw	2 pcs
V			Plastic strap	2 pcs
W			Nut	2 pcs
X			L shape bracket	2 pcs
Y		RV23V8OL-MT1	Fireplace Insert	1 pcs

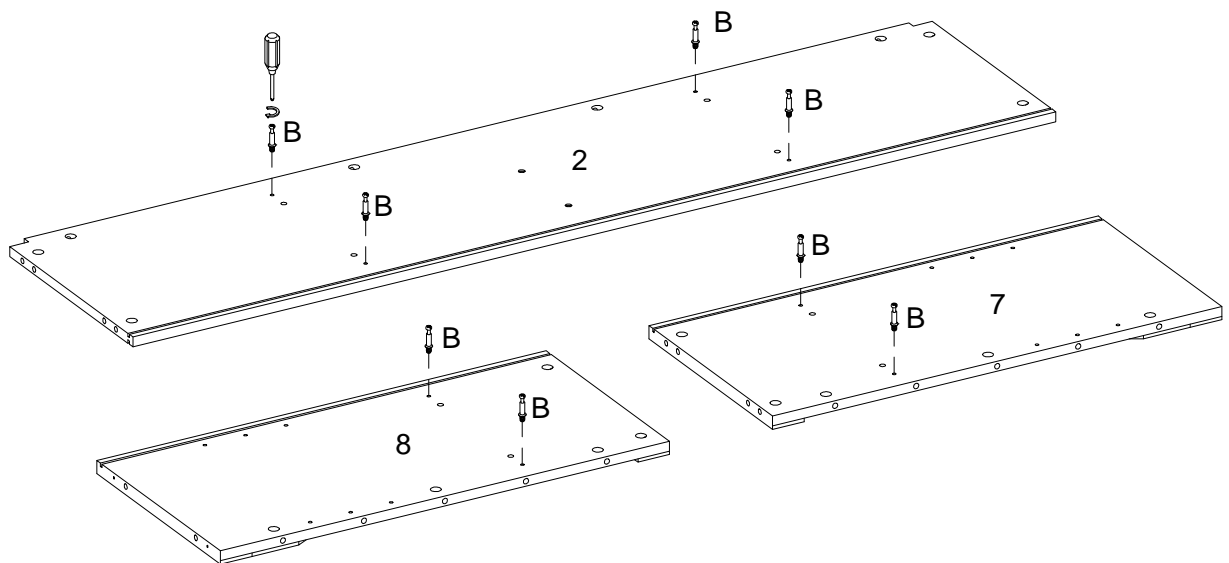


Philips head screwdriver required for assembly  
(not included)

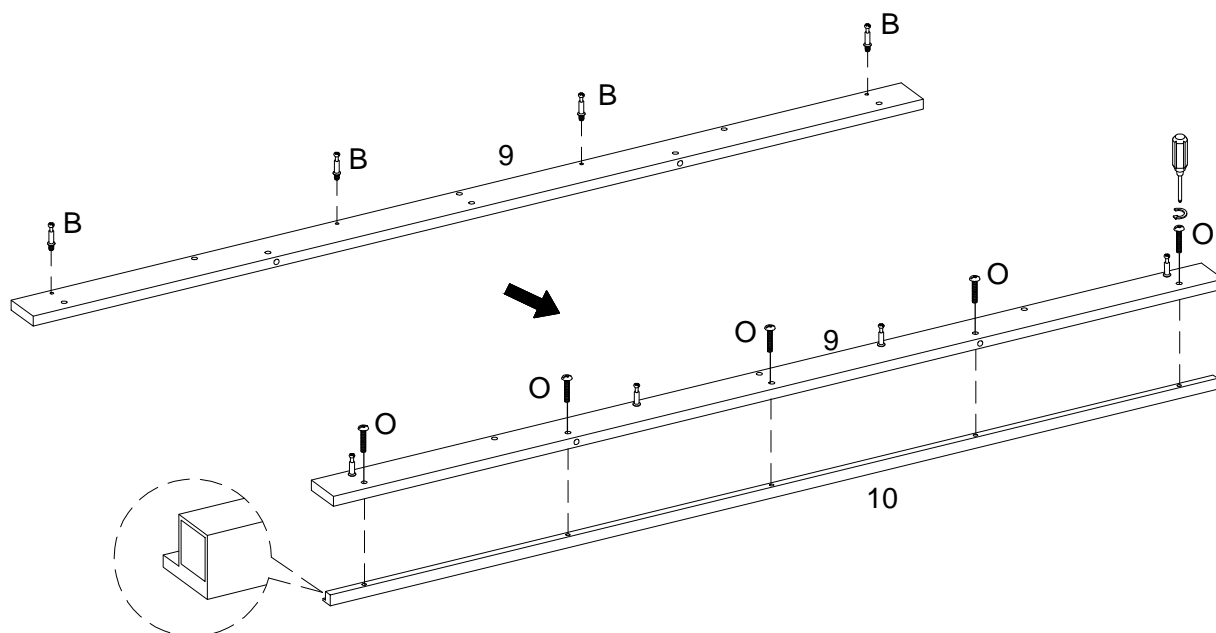
## Step 1



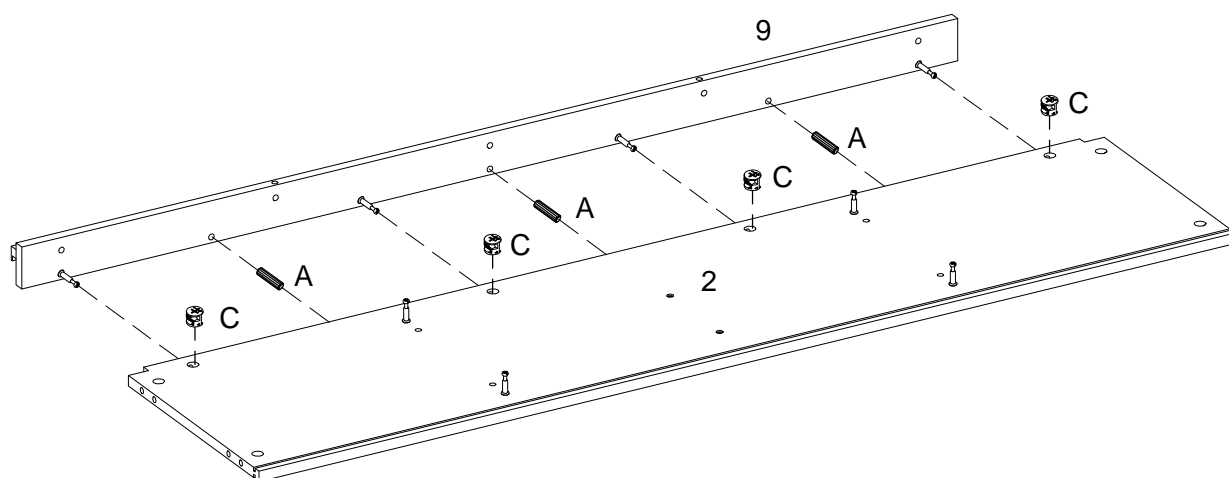
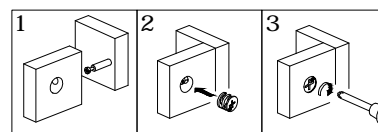
## Step 2



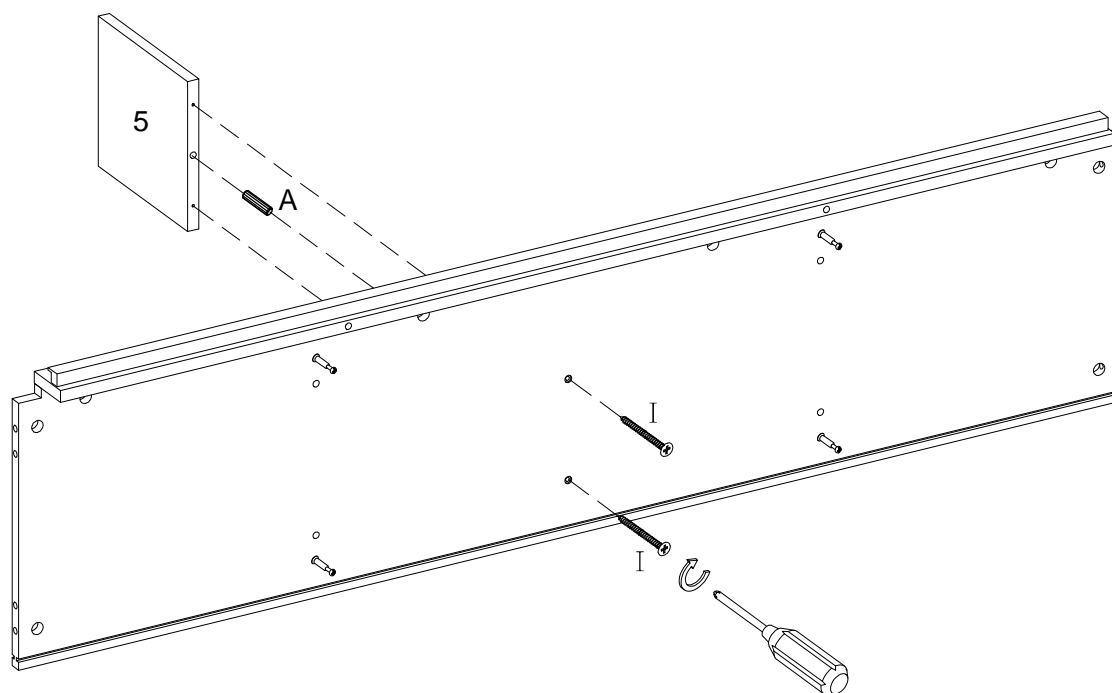
# Step 3



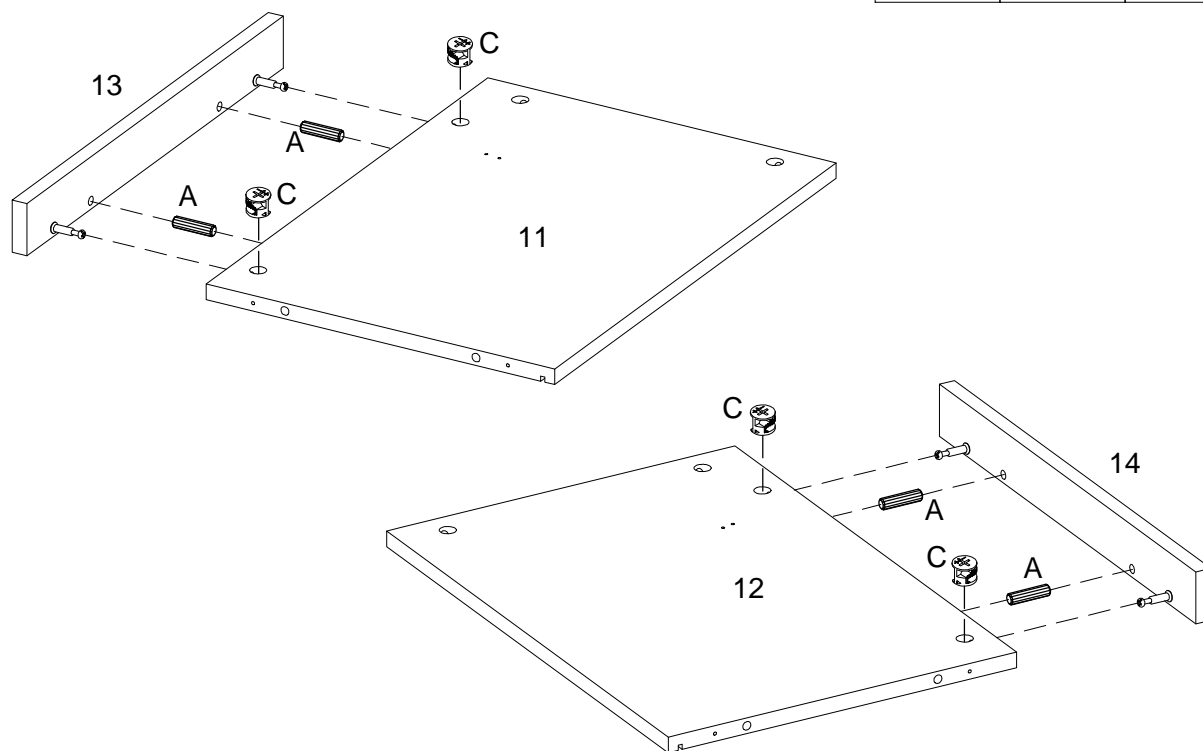
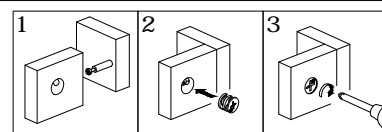
# Step 4



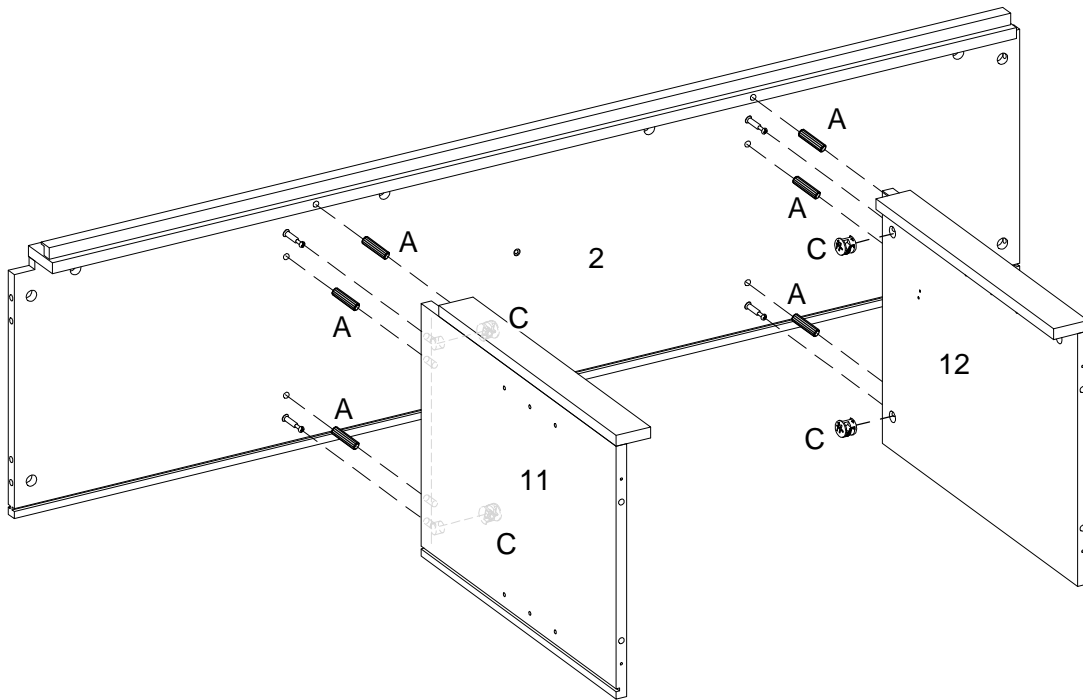
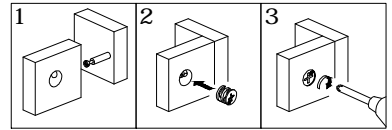
## Step 5



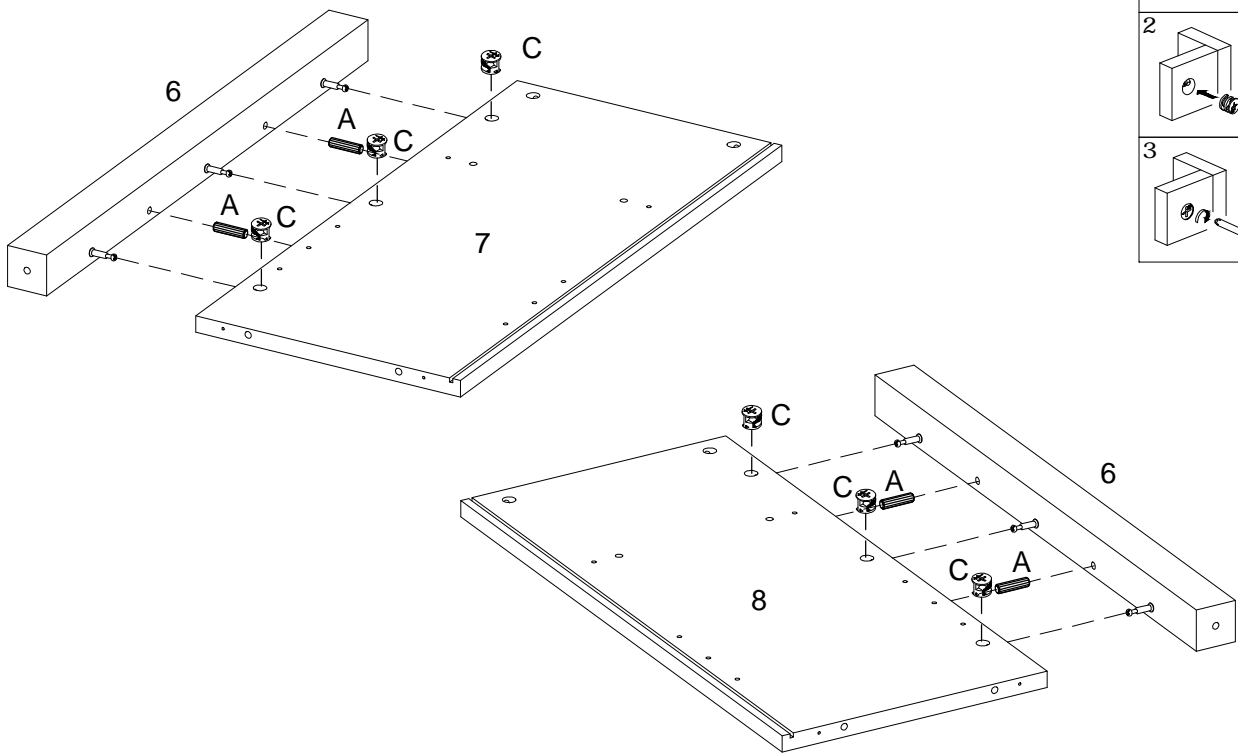
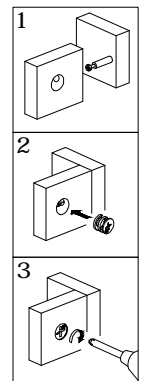
## Step 6



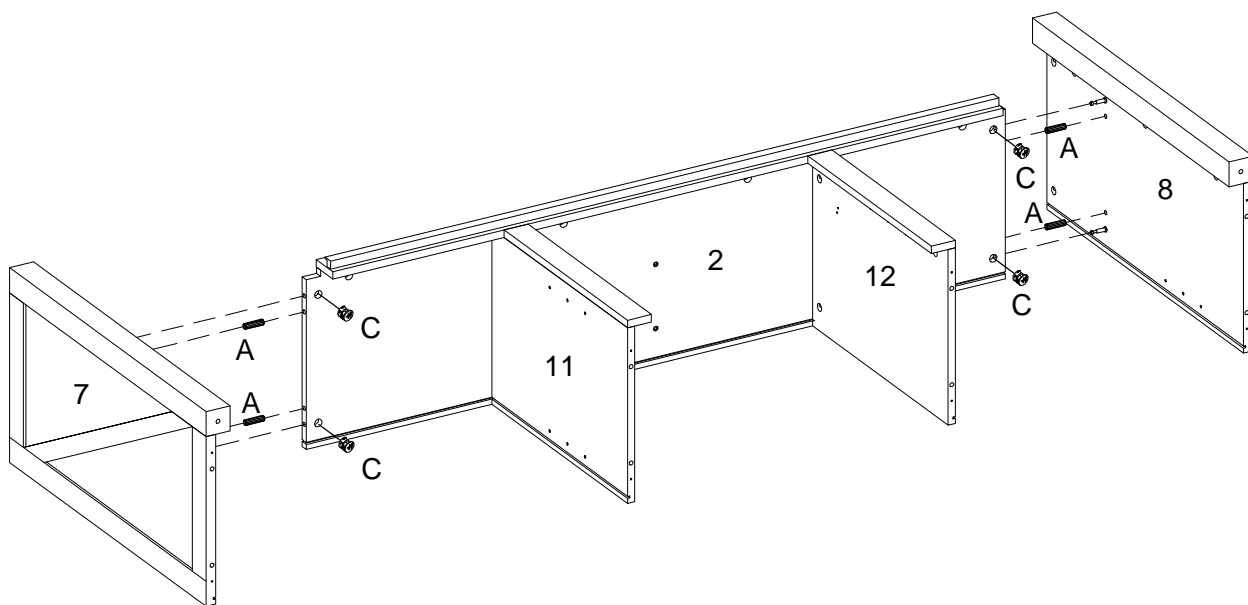
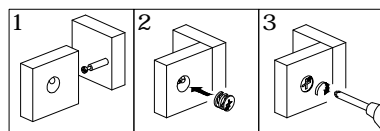
# Step 7



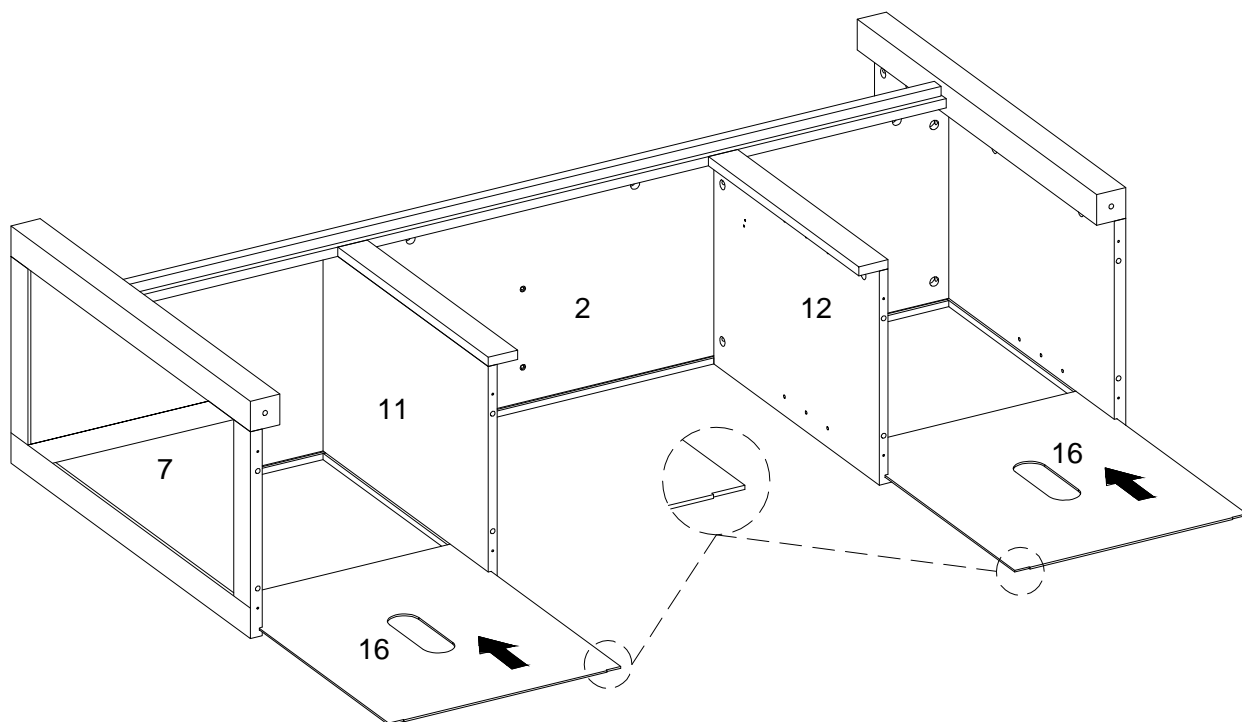
# Step 8



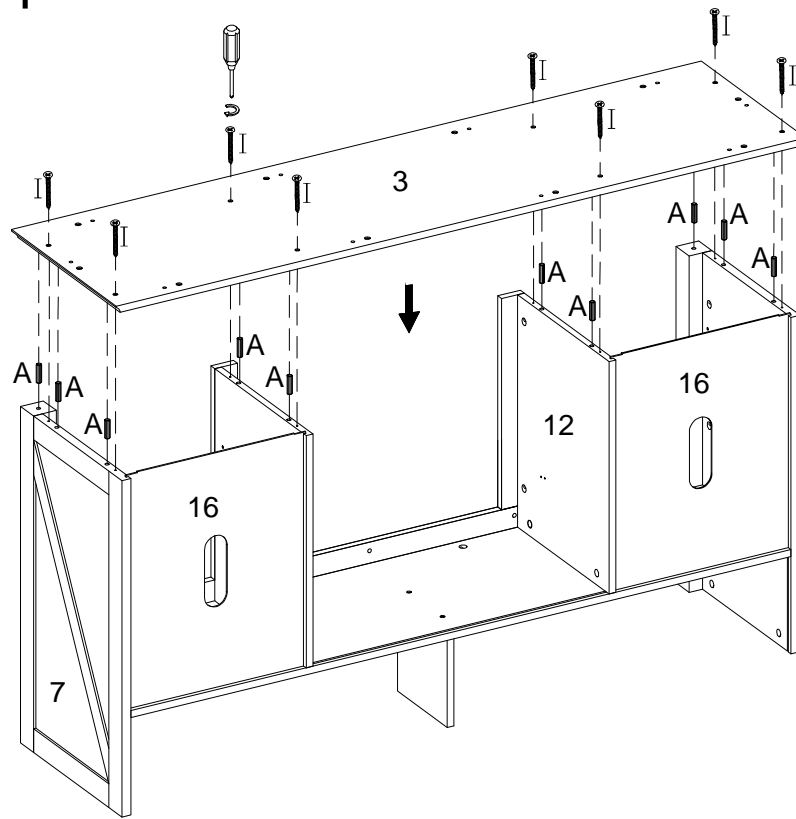
# Step 9



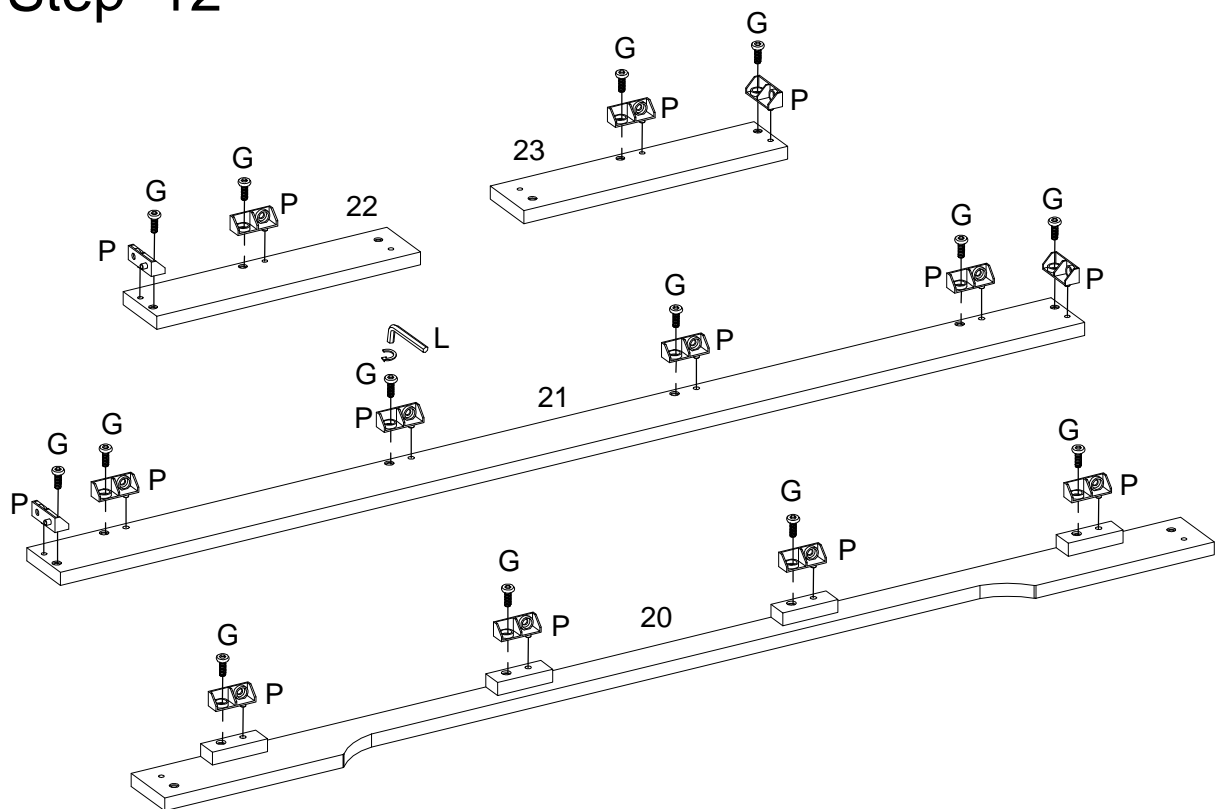
# Step 10



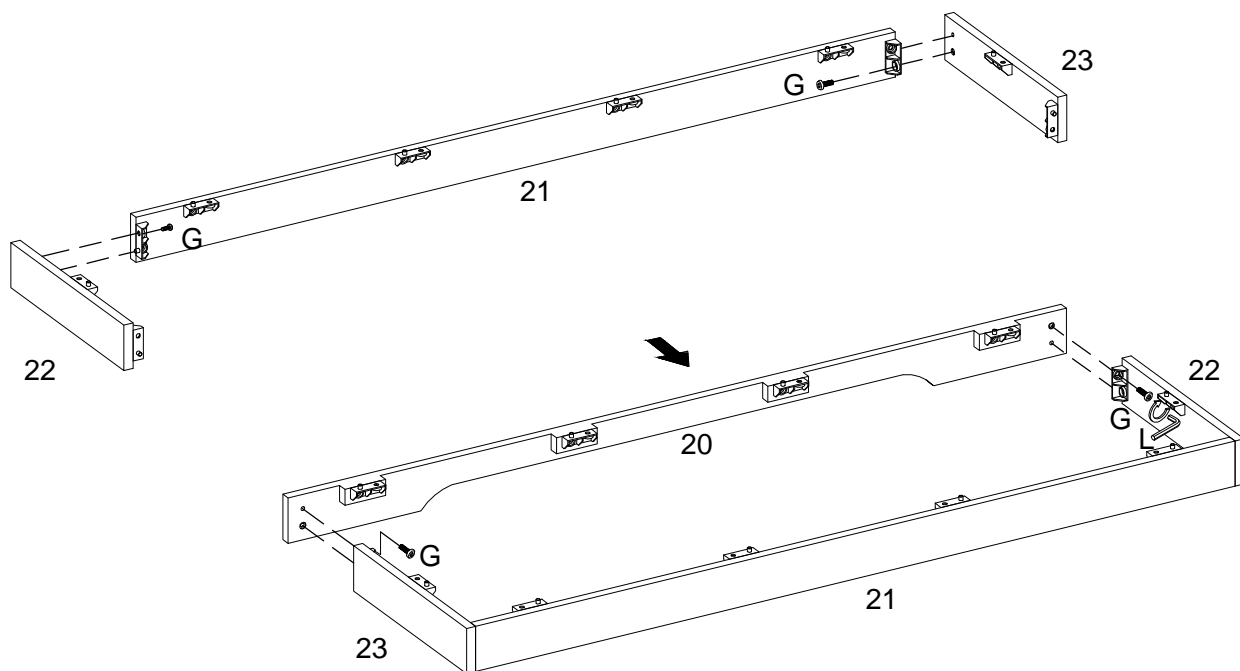
## Step 11



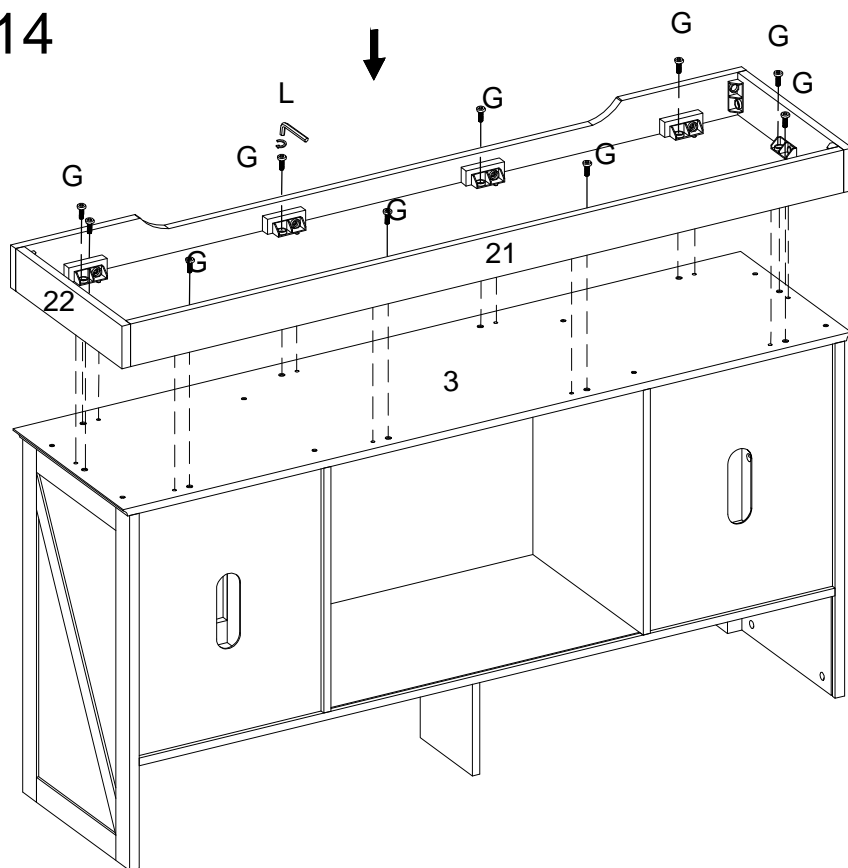
## Step 12



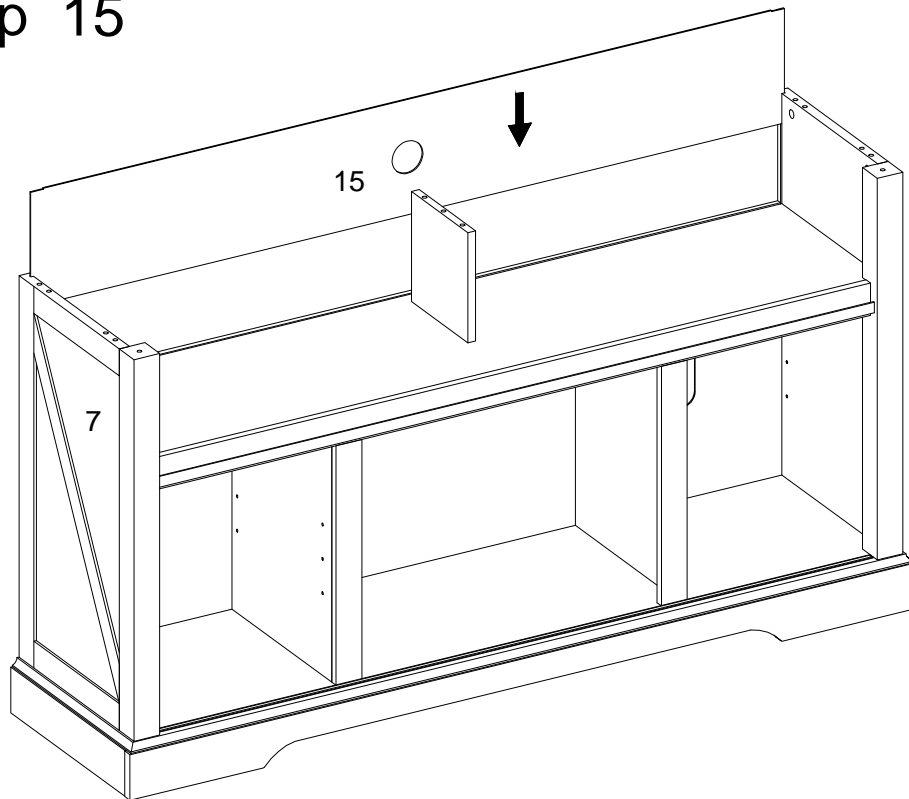
# Step 13



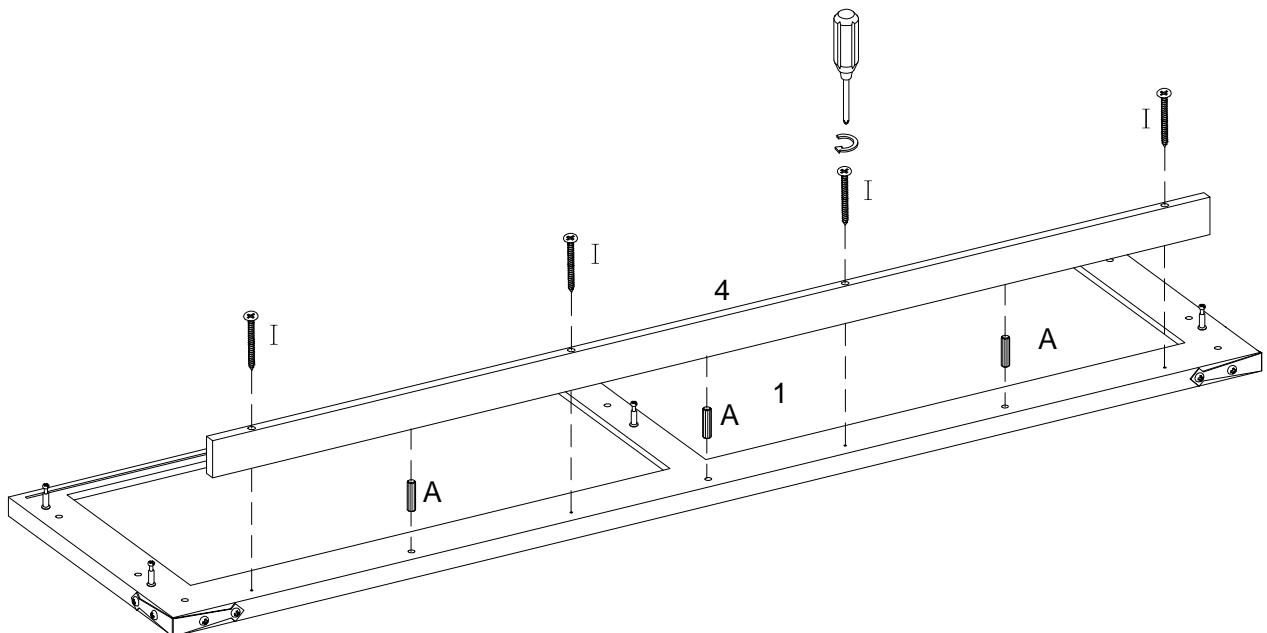
# Step 14



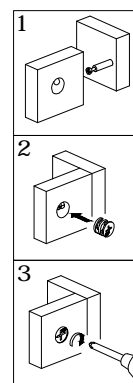
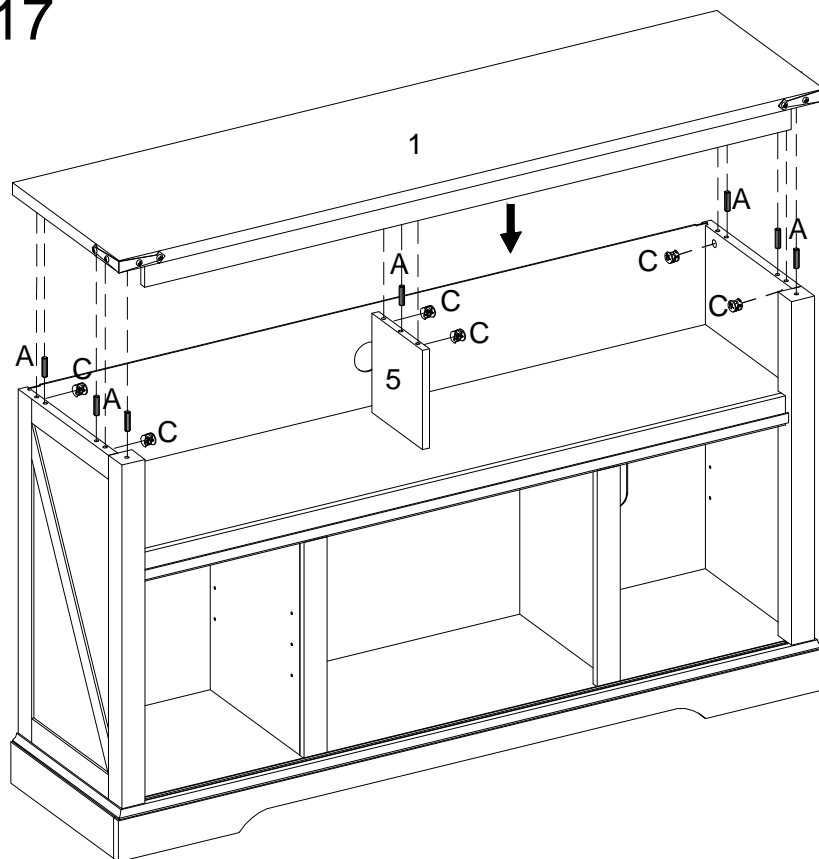
## Step 15



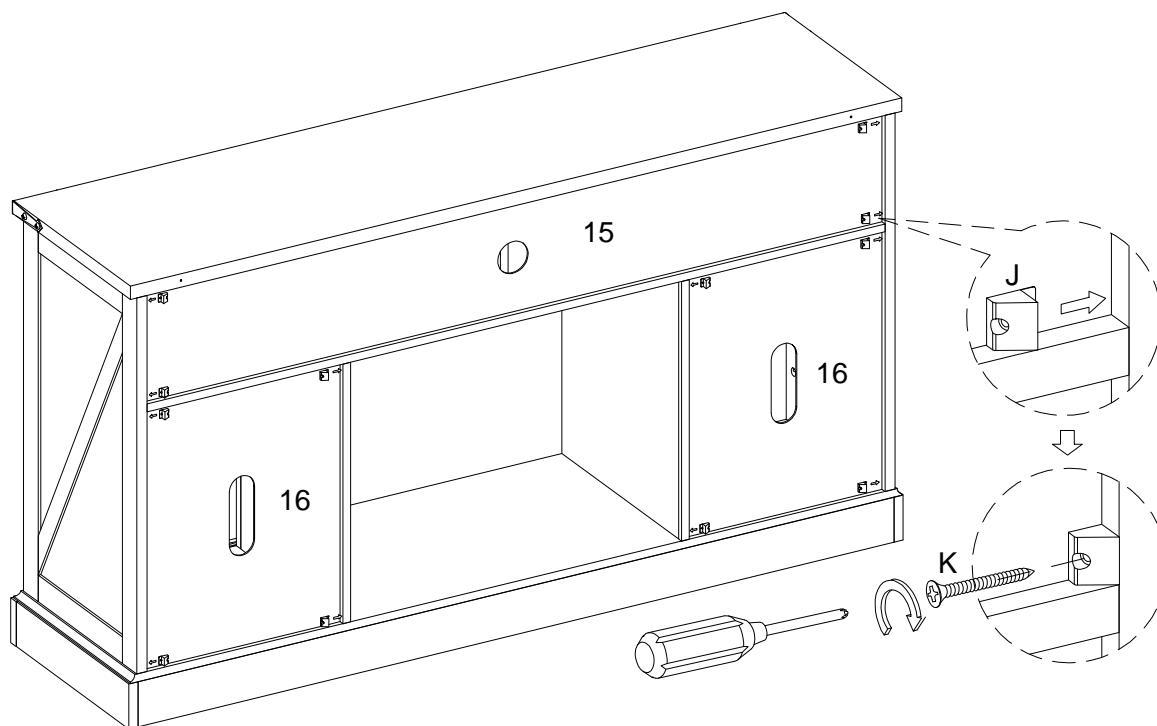
## Step 16



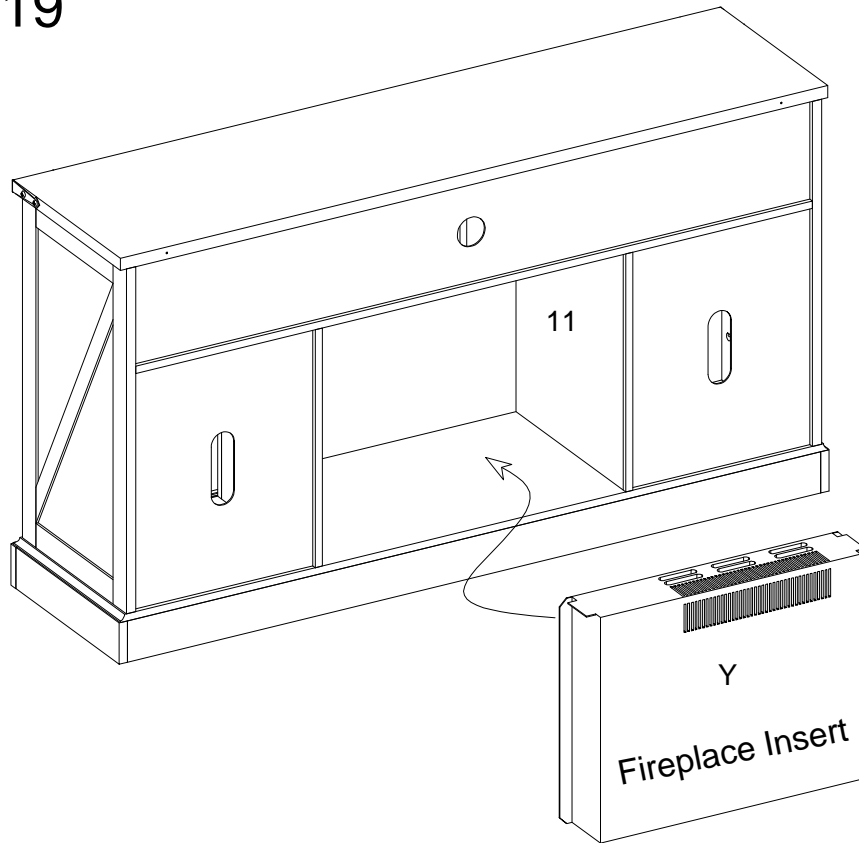
# Step 17



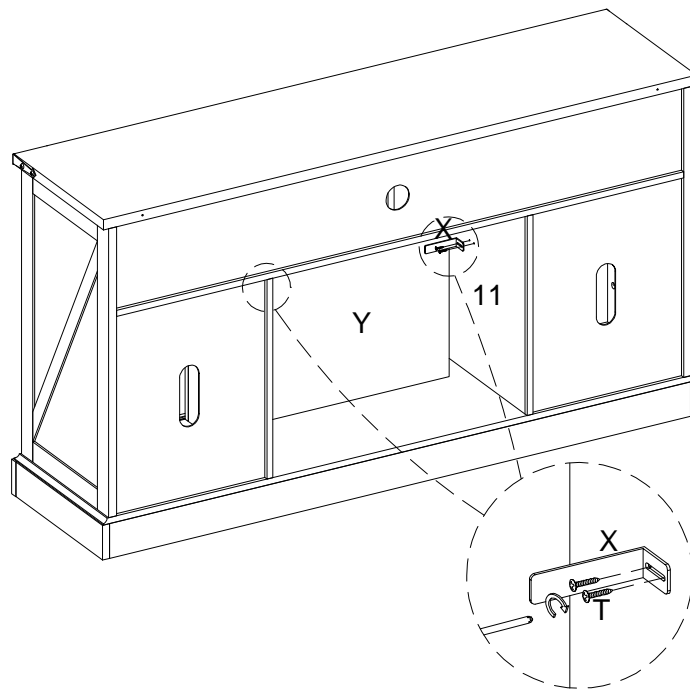
# Step 18



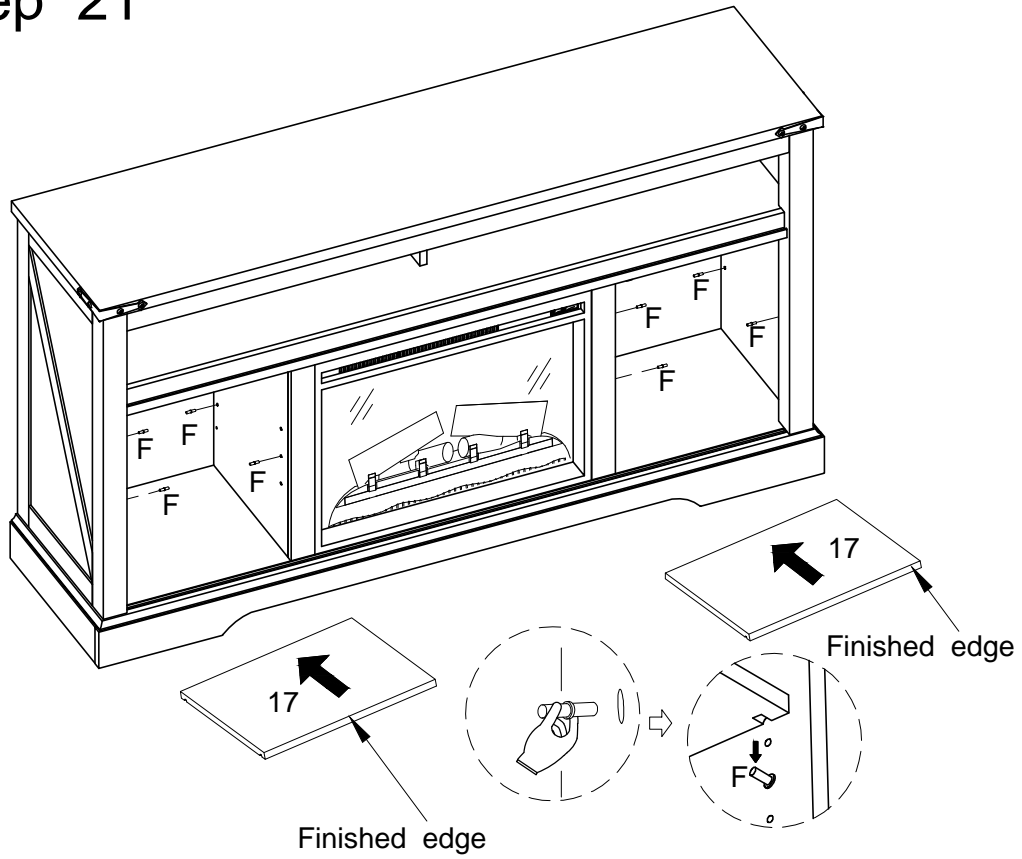
## Step 19



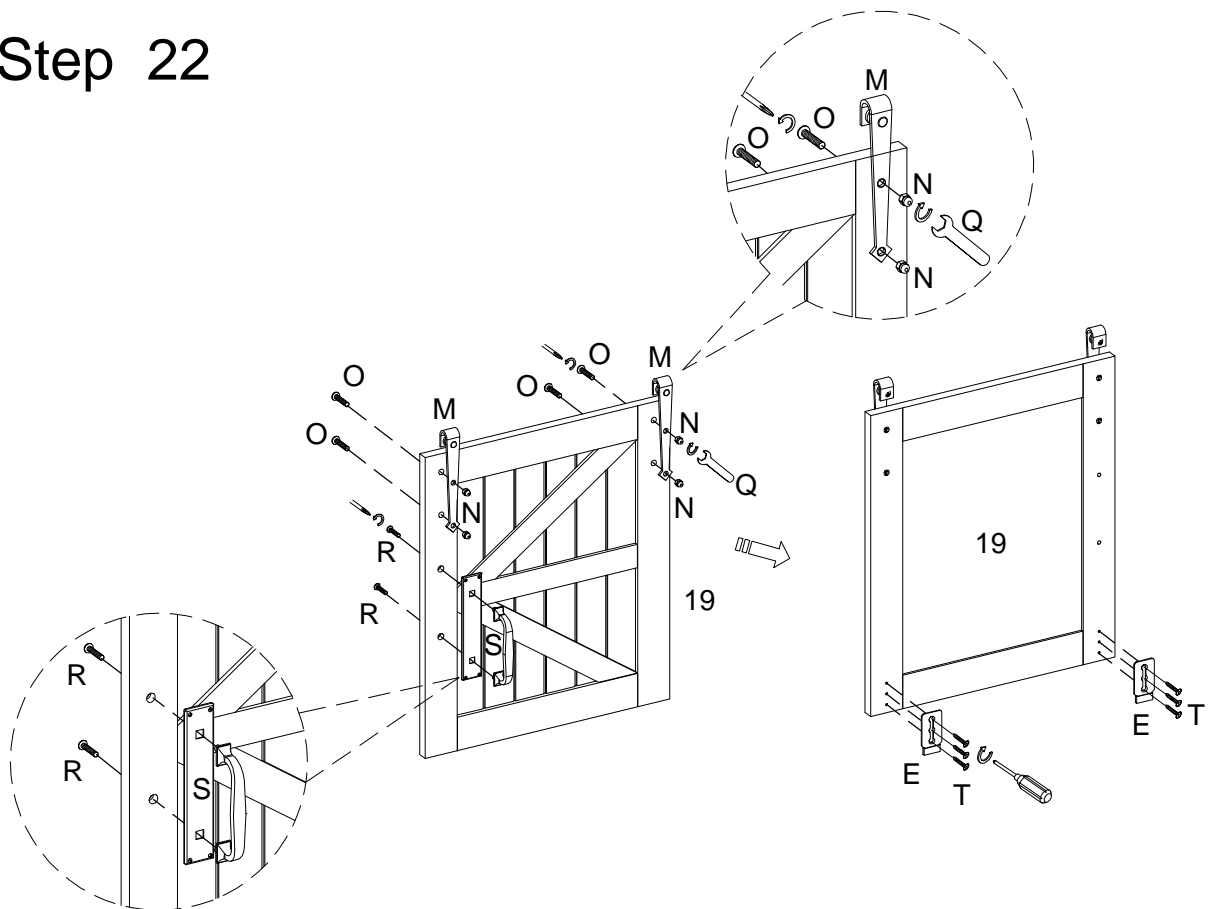
## Step 20



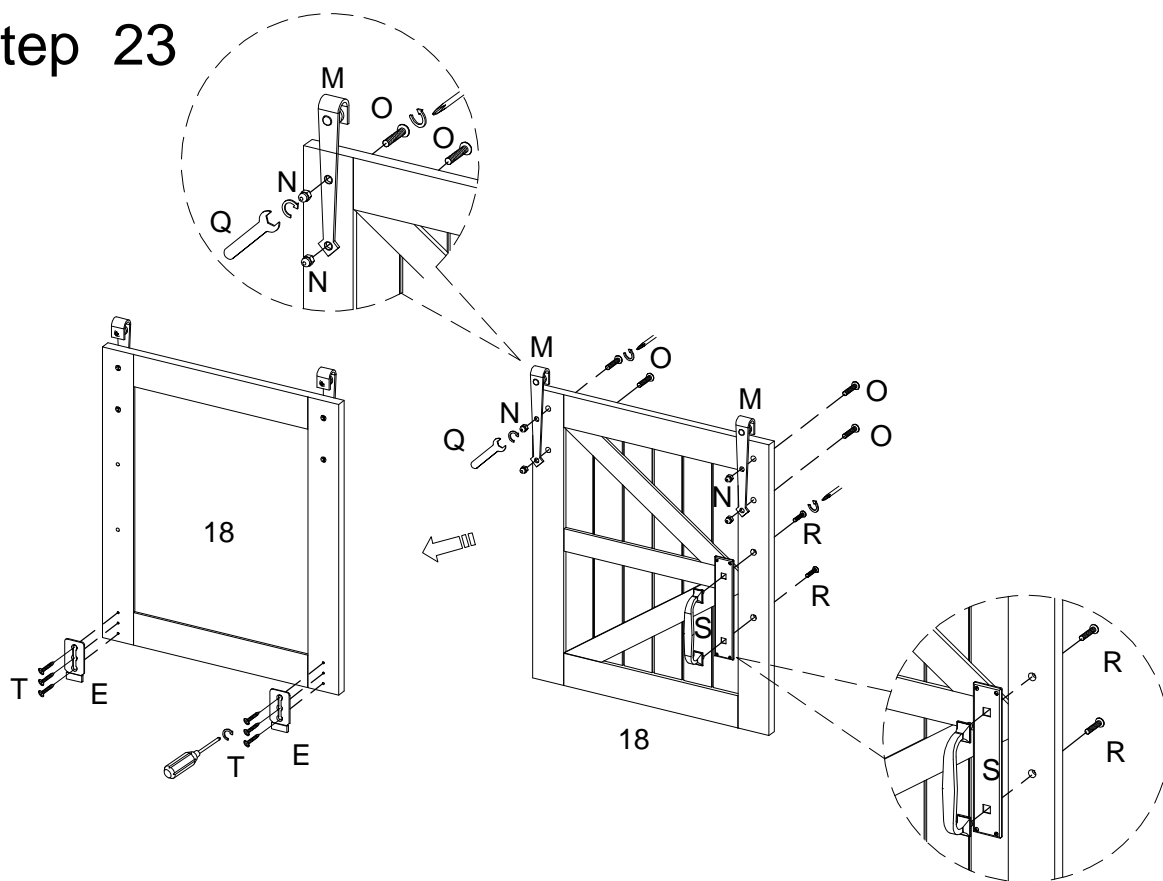
# Step 21



# Step 22



## Step 23



## Step 24

