

TIGERFLEX®

ZORA

LOG CABIN

14'x6'

**GENERAL ASSEMBLY
INSTRUCTIONS**



tiger®

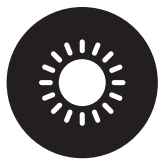
BEFORE YOU GET STARTED

PLEASE READ INSTRUCTIONS CAREFULLY

- Check the pack and make sure you have all the parts listed.
- When you are ready to start, make sure you have the right tools at hand (not supplied).
- Ensure there is plenty of space and a clean dry area for assembly.

TIMBER

As with all natural materials, timber can be affected during various weather conditions. For the duration of heavy or extended periods of rain, swelling of the wood logs may occur. Warping of the wood may also occur during excessive dry spells due to an interior moisture loss. Unfortunately, these processes cannot be avoided but can be mitigated. It is suggested that the outdoor building is sprayed with water during extended periods of warm sunshine and sheltered as much as possible during rain or snow.



SUMMER
CONTRACTION



WINTER
EXPANSION



WOOD WARPING
MAY OCCUR

Please do not paint or treat your cabin timbers before assembly as they must stay dry for a snug tongue and groove fit. To validate your guarantee and ensure longevity of the product, it is ESSENTIAL that your building is treated with a suitable wood preserver or paint AFTER assembly, both internally and externally.

BUILDING A BASE

Care must be taken to ensure the product is placed on a suitable base. When thinking about where the building and base is going to be constructed: Ensure that there will be access to all sides for maintenance work and annual treatment.

Ensure the base is firm and level and is built on firm ground, to prevent distortion. Refer to diagrams for the base dimensions, The base should be slightly smaller than the external measurement of the building, i.e. The cladding should overlap the base, creating a run off for water. It is also recommended that the floor be at least 25mm above the surrounding ground level to avoid flooding.

TYPES OF BASE

- Durable plastic grid.
- Concrete 75mm laid on top of 75mm hard-core.
- Slabs laid on 50mm of sharp sand.
- Timber Base - Self constructed/Buy pre-made.



PLASTIC BASE



CONCRETE BASE



SLAB BASE



TIMBER BASE



BROKEN SLABS



BARE SOIL



LOOSE GRAVEL

**We recommend a Fastfit EcoBase for your building. It is durable, lightweight, flexible and easy to put in place. Please see [tigersheds.com](https://www.tigersheds.com) for details.*

CAUTION:

All buildings should be erected by two competent adults.



CAUTION:

It is advisable to wear safety gloves during building installation.



Whilst all products manufactured are made to the highest standards of safety and in the case of children's products independently tested to EN71 level, we cannot accept responsibility for your safety whilst erecting or using this product.



The mark of responsible forestry

FSC® C125286



MADE IN THE UK SINCE 1913.

We have been making our high quality, great value sheds here in Britain for decades.

GO WITH THE PRO!:

We understand how busy life can be: our Pro-Installation service can take the stress and strain out of assembling your quality Tiger building for you. We recommend using professional and dedicated installers to erect your building. With their knowledge and experience, they will ensure that your cabin is put properly in place ready for you to enjoy your space for years to come.

If you have not booked our Pro-Installation service and would like to arrange an installation, please contact our friendly customer team on 0113 205 4189 (Mon – Fri 9am-5pm) or email sales@tigersheds.com.

- The pro-install team will contact you to arrange a suitable time and date for the fitting.
- Sit back, relax and let our professional home installation service do all the hard work for you!
- Please view our Pro Installation page for full terms and conditions.

BEFORE YOU GET STARTED

TOOLS REQUIRED

We recommend using the following tools (not supplied):



HAMMER



RUBBER Mallet



DRILL



LADDER



TAPE MEASURE



SHARP KNIFE



SPIRIT LEVEL

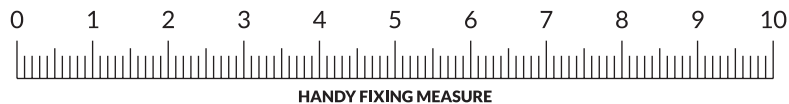


SCREWDRIVER +



WOOD SAW

FIXING PACK CONTENTS:



13mm Galvanised Clout Nails
(C13) x80



25mm Black Screws
(S25) x16



40mm Screws
(S40) x24



30mm Galvanised Nails
(N30) x140



35mm Screws
(S35) x200



50mm Screws
(S50) x18



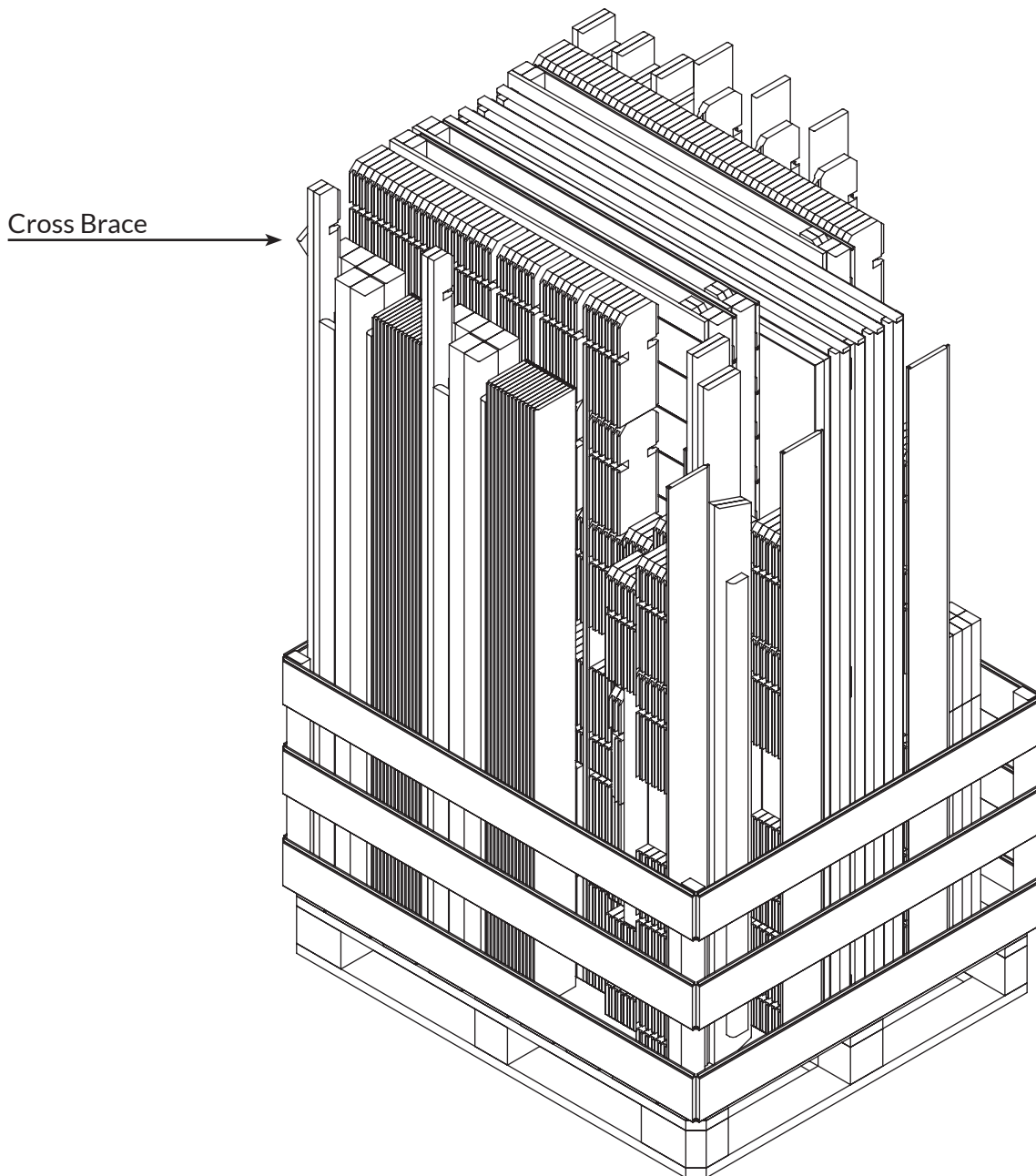
30mm Galvanised Nails
(N40) x20

IMPORTANT

- Before assembly please make sure you have a suitable base ready to erect your building on.
- This base **MUST** be level and flat to ensure that the building is assembled properly and lines up.
- Please carefully unpack the components in your delivery, and remove the untreated timber supports that make up the boxed pallet.
- **DO NOT** start your build until you have checked that all the parts of your building are present and in a suitable condition.
- If you are organising a third party to install your building, it is best practice not to schedule this immediately on receipt of your order, to give you time to check your delivery.

BUILDING PACK CONTENTS:

For full details of what should be included please see the Module Pack List that is supplied with the delivery. They are also available on request in pdf form from our helpful Customer Support team – please call 0113 2054189 for Customer Support or use the Items Delivered Query form at [tigersheds.com/contact](https://www.tigersheds.com/contact).



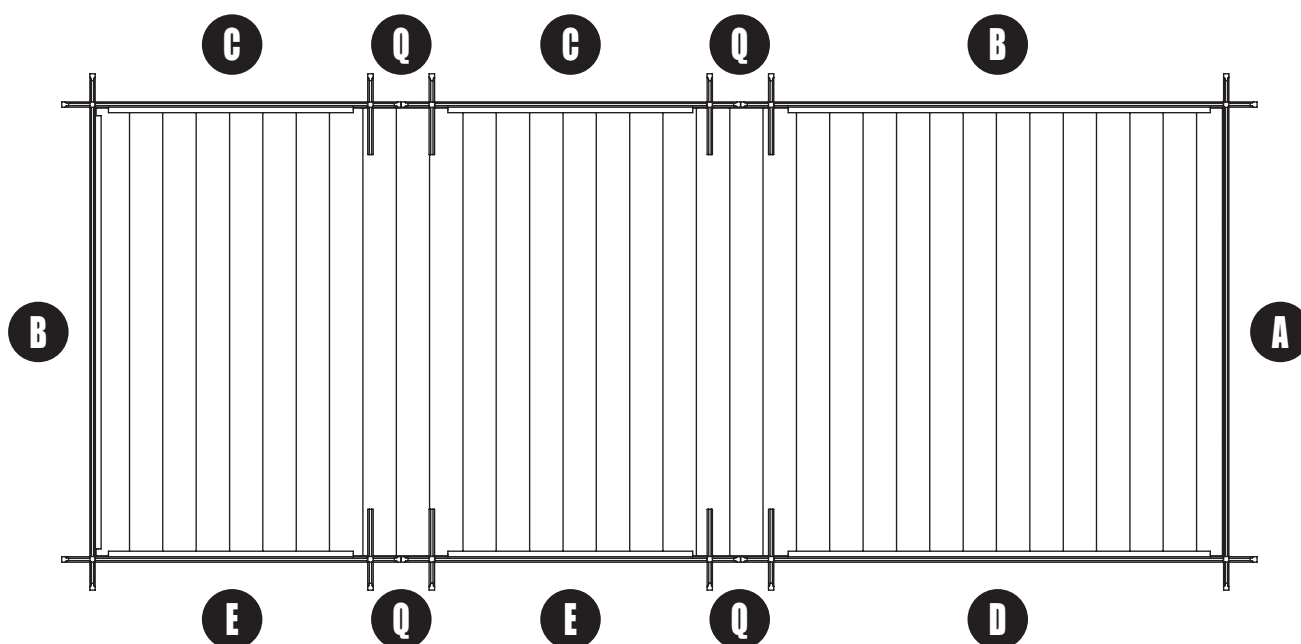
- From the outside working in, cut banding holding all components together and remove the Module Packs.
Note: parts may have become loose or moved during transportation.
- Large items like doors and windows are screwed into cross brace. Remove screws as you come to corresponding Module Pack to reduce the risk of falling components.
- All Module Packs are individually banded together. For ease, remove from vertical position on pallet and cut Module Pack banding when on a horizontal surface.

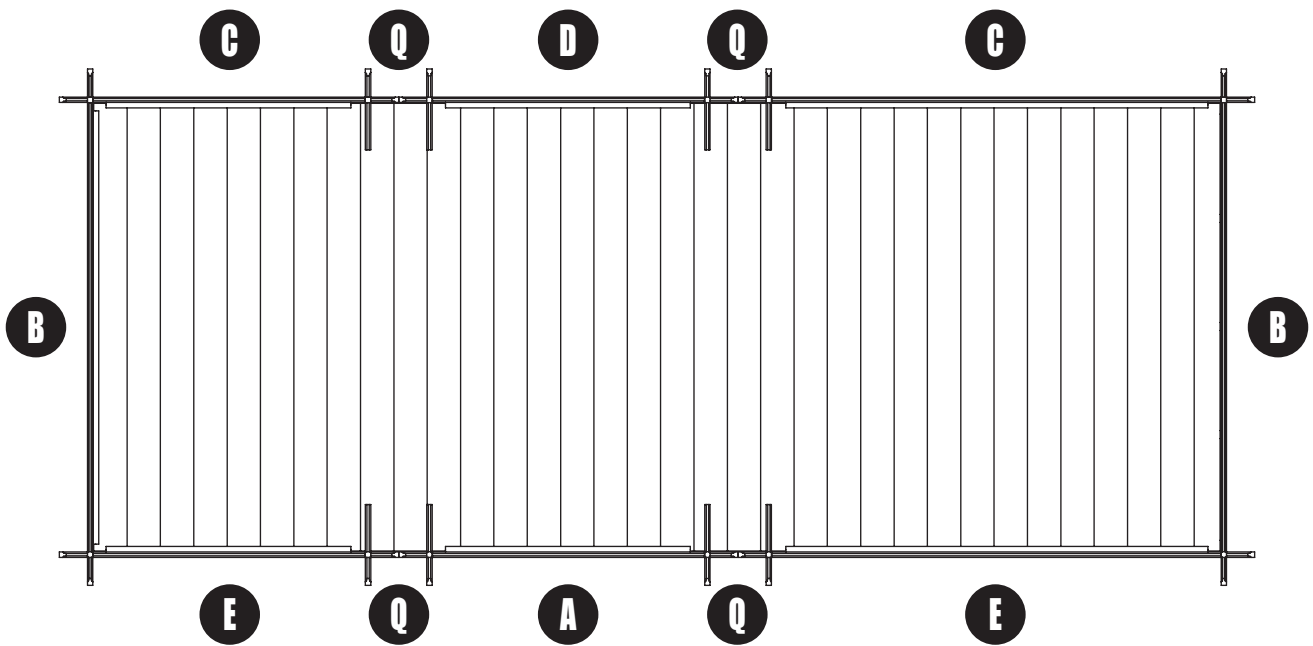
Flexible Format:

DOOR & WINDOW POSITIONING

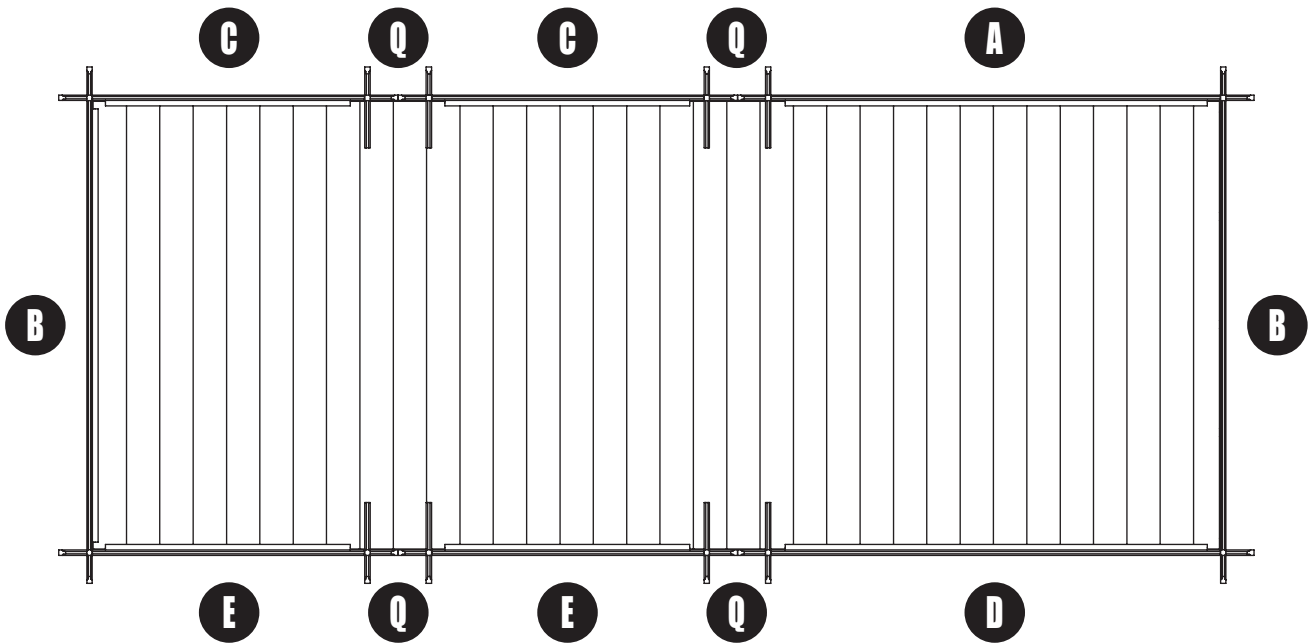
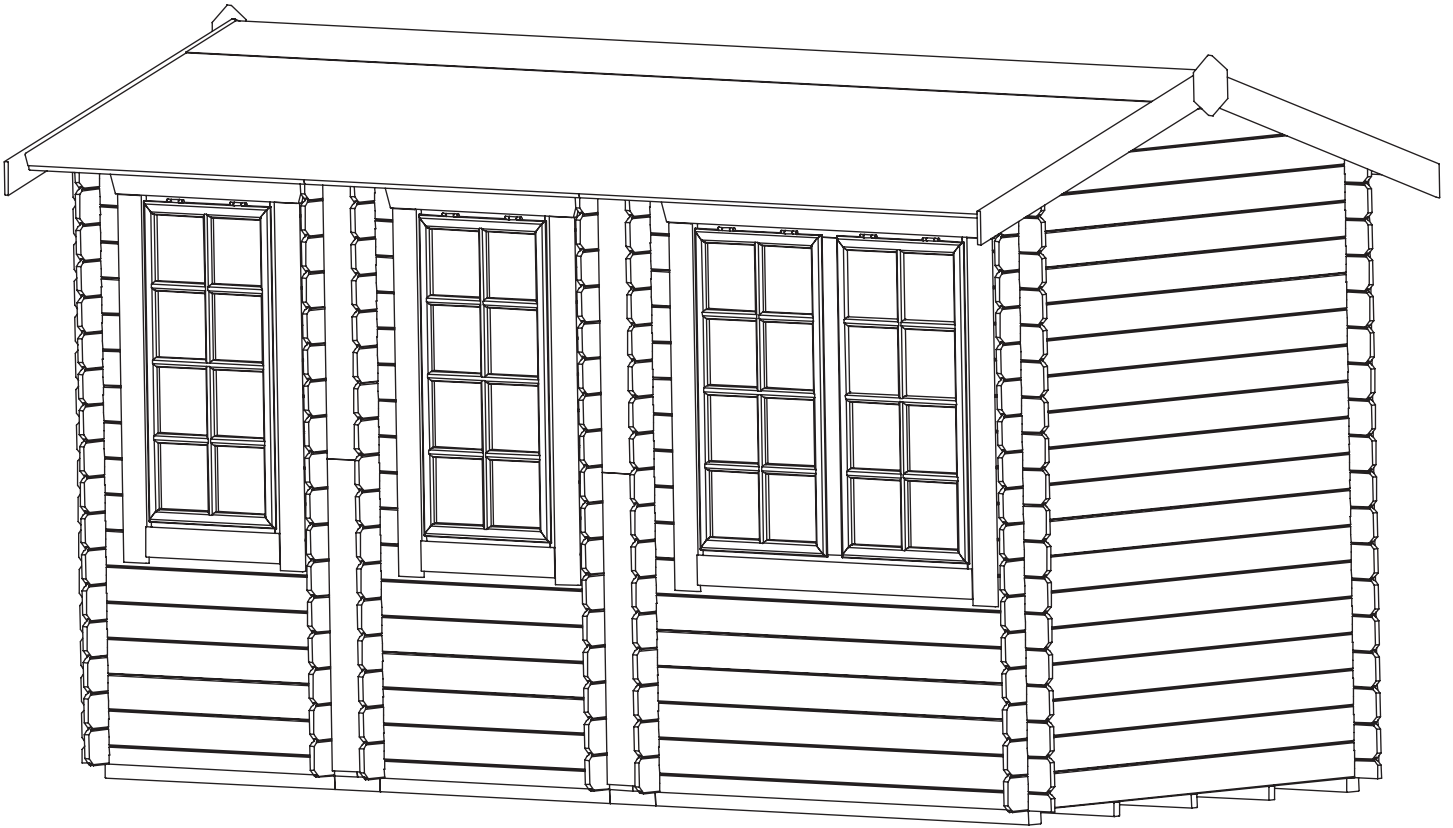
(MODULE PACKS: A, B, C, D, E & Q)

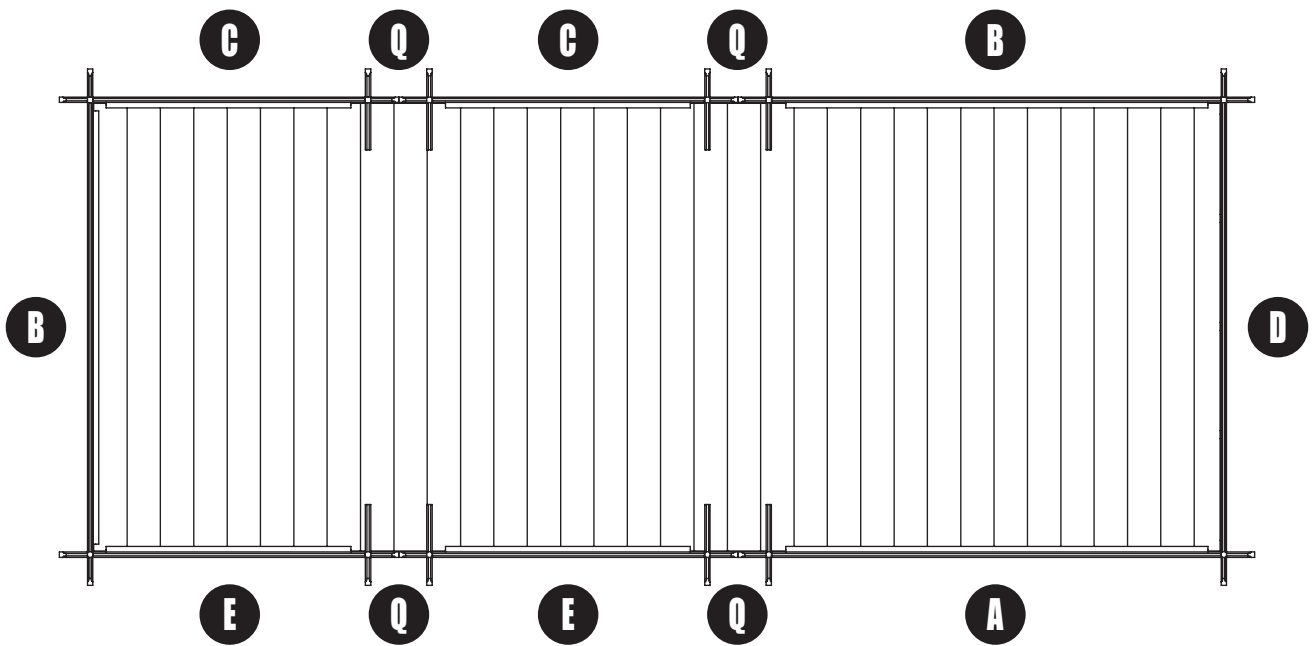
- Lay out the module packs supplied in the position you would like them to be constructed.
See following examples for some inspiration.
- The following instructions are based on the configuration shown below.





BEFORE YOU GET STARTED - PRE ASSEMBLY

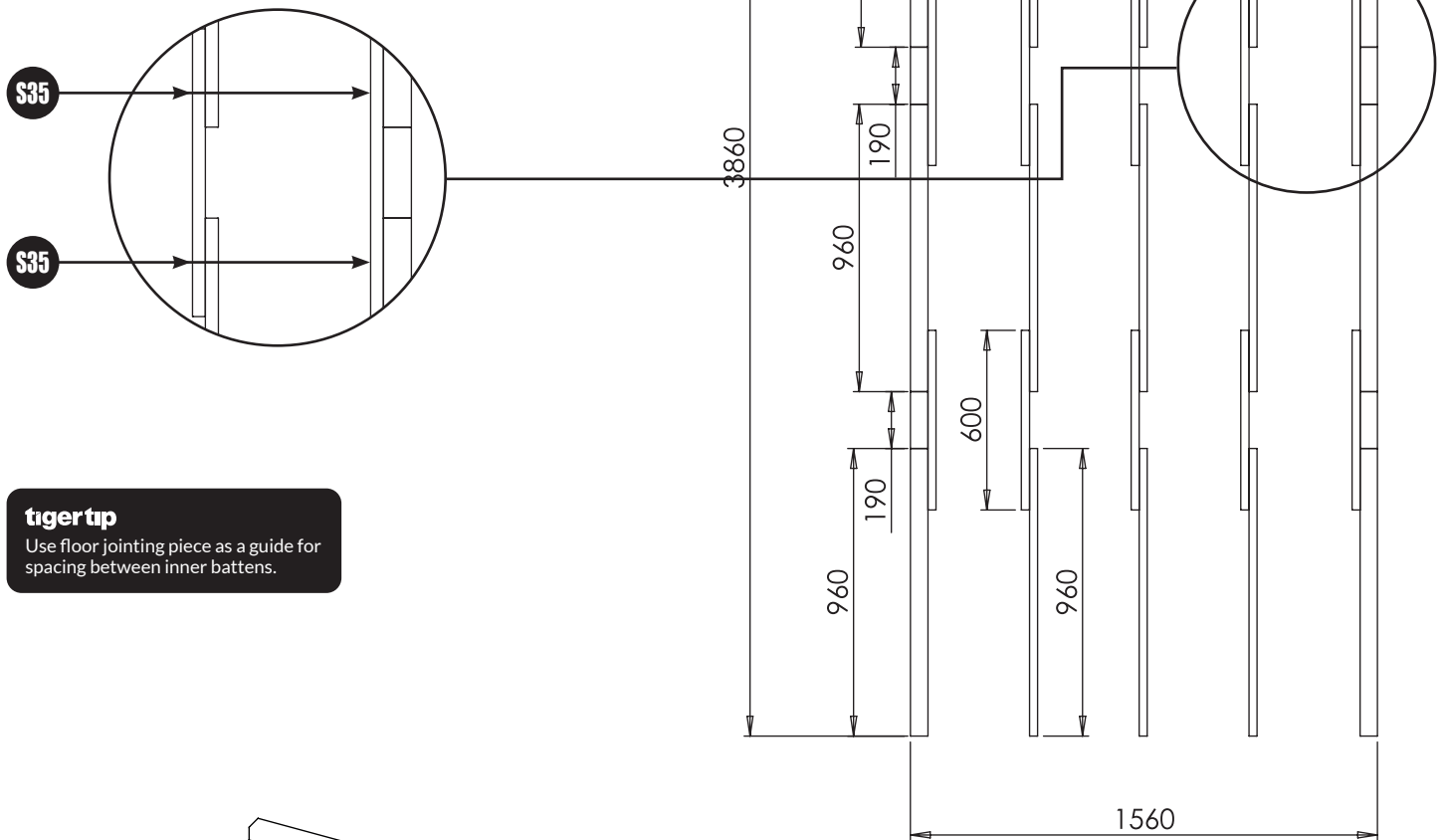




Step 1: **S35**

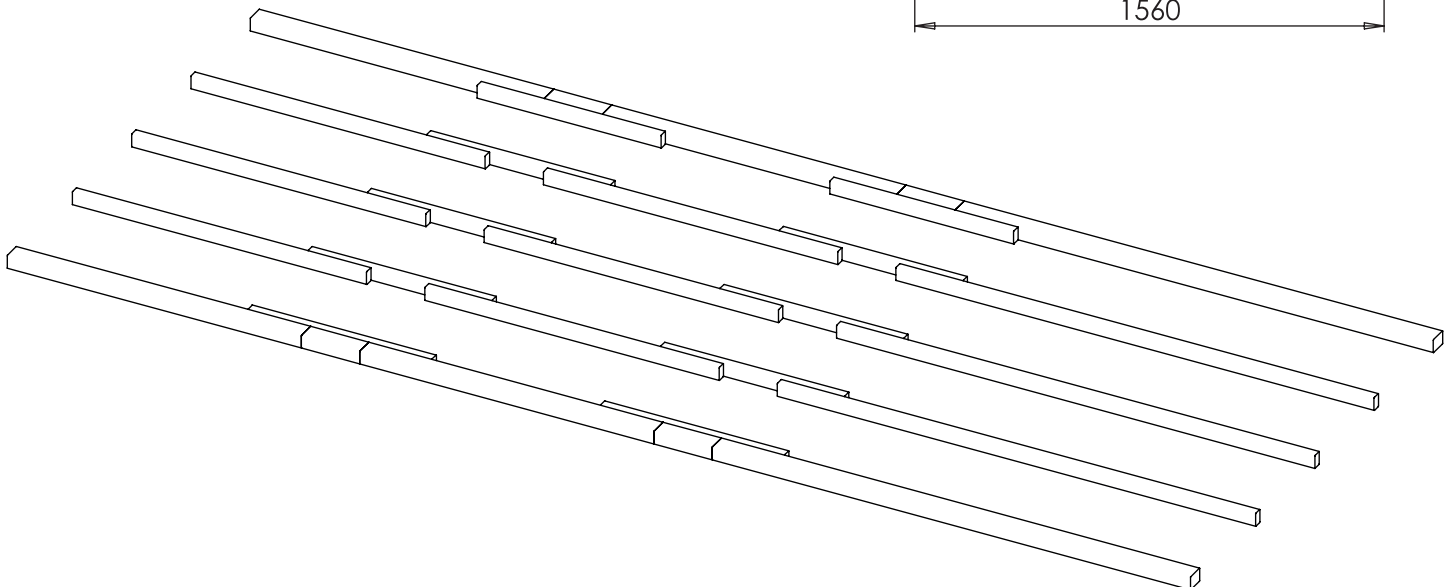
FLOOR BEARER ASSEMBLY (MODULE PACKS: H, J & Q)

- Layout floor bearers as shown. **(Pic A)**
- Assemble inner bearers & floor joists using 4x 35mm **(S35)** screws (3 Required).
- Assemble outer tanalised floor bearer & floor jointing piece using 4x 35mm **(S35)** screws.



tigertip

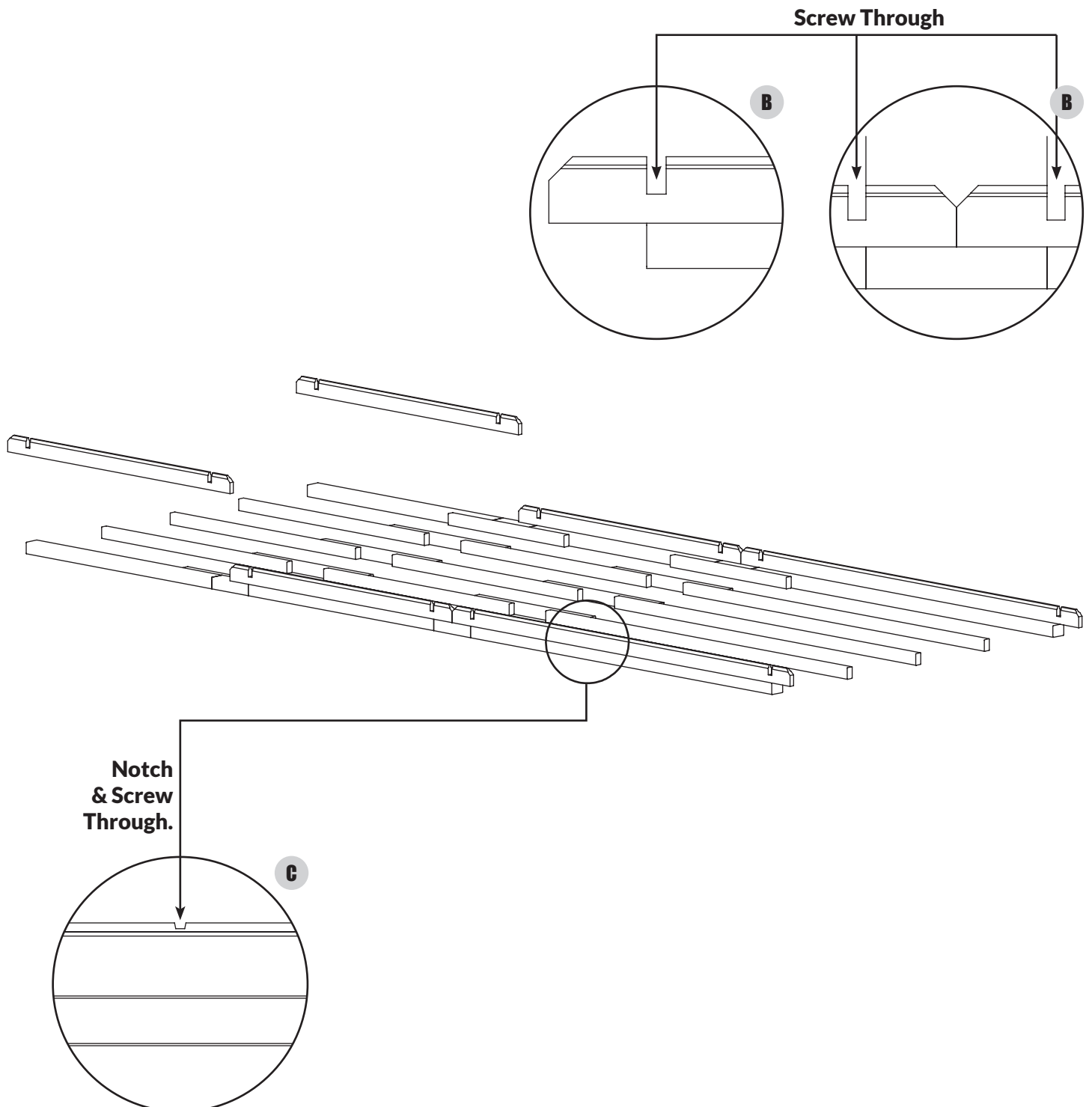
Use floor jointing piece as a guide for spacing between inner battens.



Step 2:

FLOOR ASSEMBLY (MODULE PACKS: H & J)

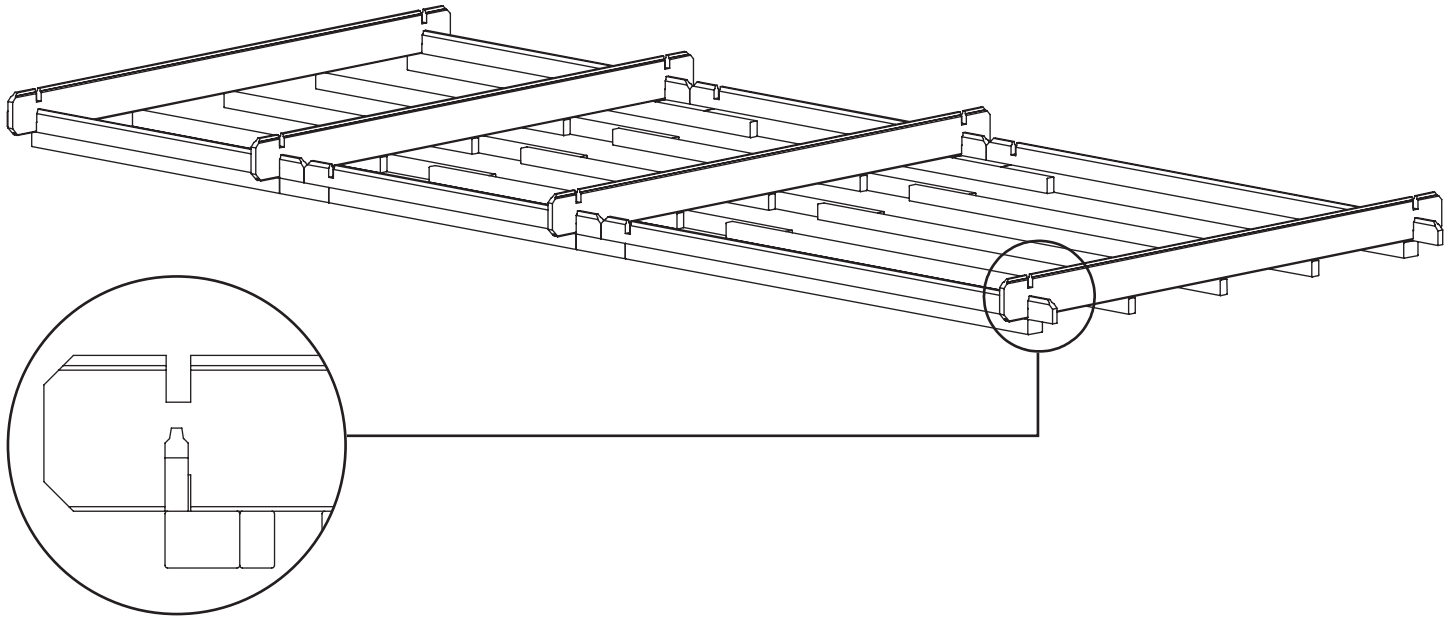
- Place half logs as shown - 2x 1750mm & 4x 1150mm Required.
- Secure to tanalised floor bearer through notch at end using 1x 50mm **(S50)** screws per notch. **(Pic B)**
- Using a Stanley knife, cut a slight notch in the top groove and screw through log into tanalised floor bearer using 1x 50mm **(S50)** screws per notch. **(Pic C)**



Step 3:

FLOOR ASSEMBLY (MODULE PACK: B)

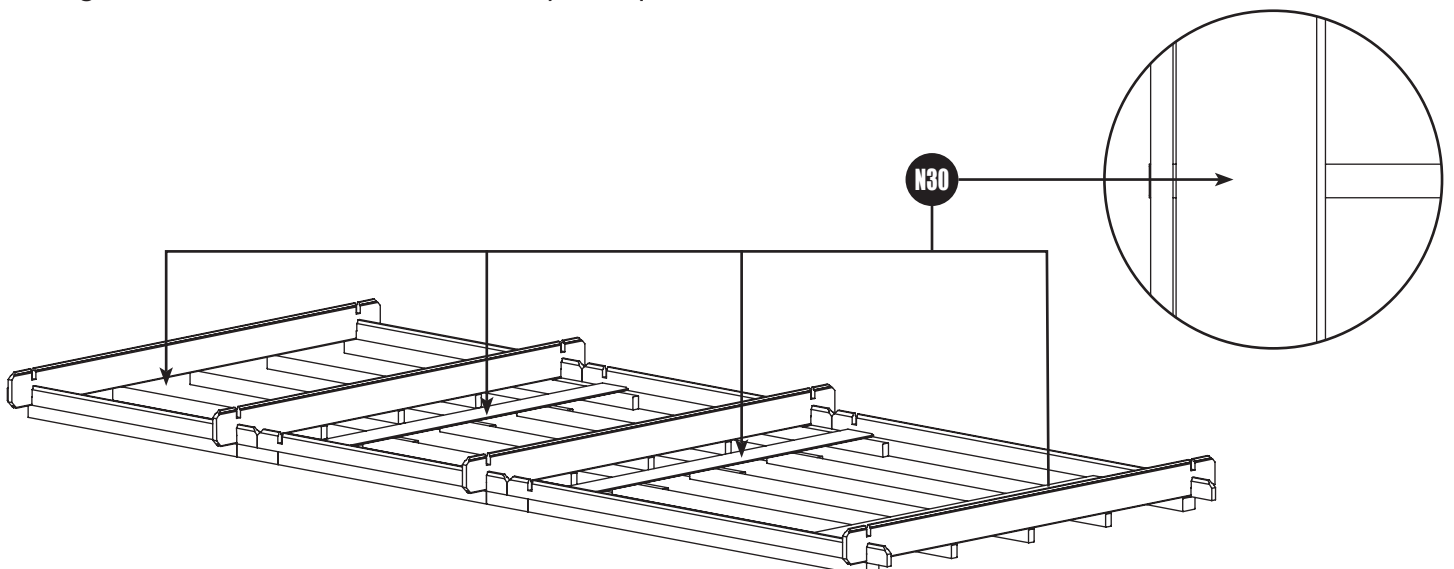
- Take 4 full logs from Module Pack B and slot them into place as shown. **Do not secure with screws.**
- Decide at this point where you would like your door to be positioned. If you plan on having it on one of the gable ends, place your first floorboard at the door end chosen. Leaving approx. 2mm gap at the edges.



Step 4:

FLOOR ASSEMBLY (MODULE PACKS: H, J & Q)

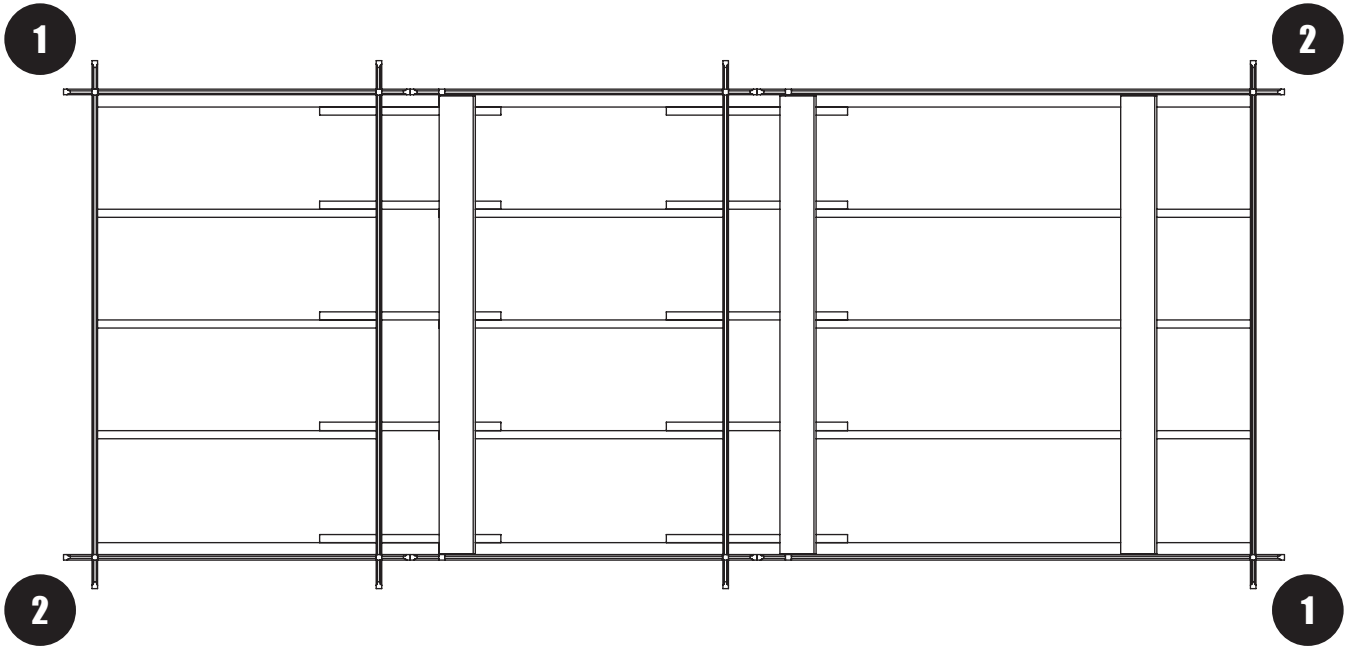
- Take 4 floorboards and tack in place as shown below using 30mm **(N30)** galvanised Nails. **Do not fully secure as these are only to keep the floor square before installing remaining floorboards.**
- Align the inner floor bearers so that they are equal across the floor.



Step 5:

FLOOR ASSEMBLY

- Measure corner to corner diagonally to make sure cabin floor is square. If both values are equal, your frame is square. Make any adjustments if required until values are equal.



Step 6:

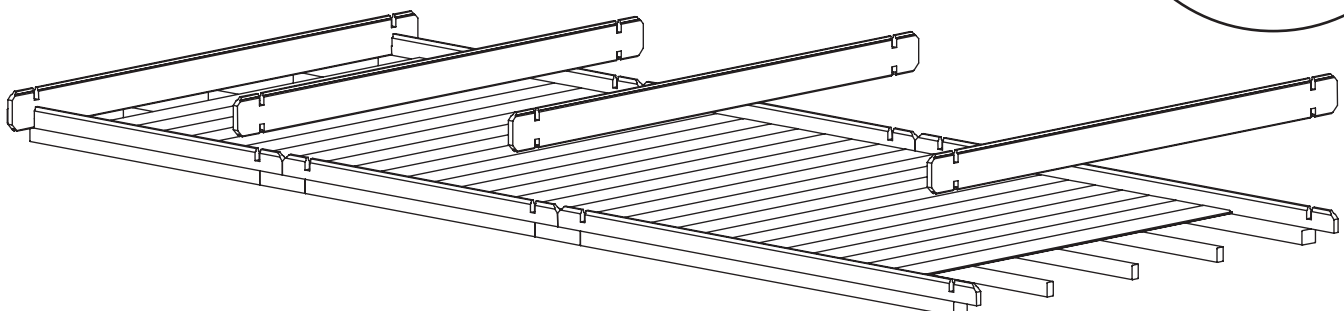
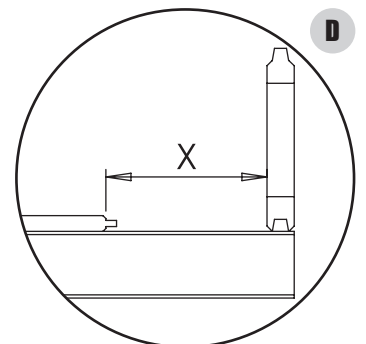
FLOOR ASSEMBLY

(MODULE PACKS: H, J & Q)

- From the “Door Board” (see Stage 3) work your way across the frame, securing remaining floorboards using 10x 30mm (N30) galvanised nails per floorboard.

Note: you will need to remove the 4 floorboards and logs that were used to hold the frame together as you come to them.

- Final floorboard may need to be trimmed. Measure as shown and cut to size. (Pic D)

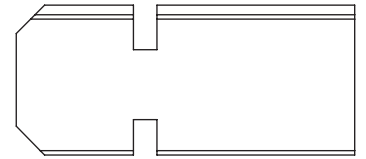


Step 7: S35 S50

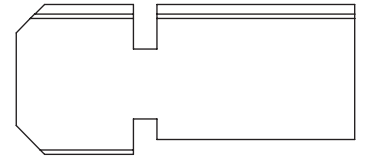
WALL ASSEMBLY STAGE 1

(MODULE PACKS: A, B, C, D, E, F, Q & T)

- For central sections, use notched logs from **Module Pack Q**.
- Secure through notch into log below using 1x 50mm **(S50)** screw per notch, then secure into floorboards. Angle drill pilot hole then screw in place as shown using 1x 50mm **(S50)** screw per cut log. **(Pic E)**



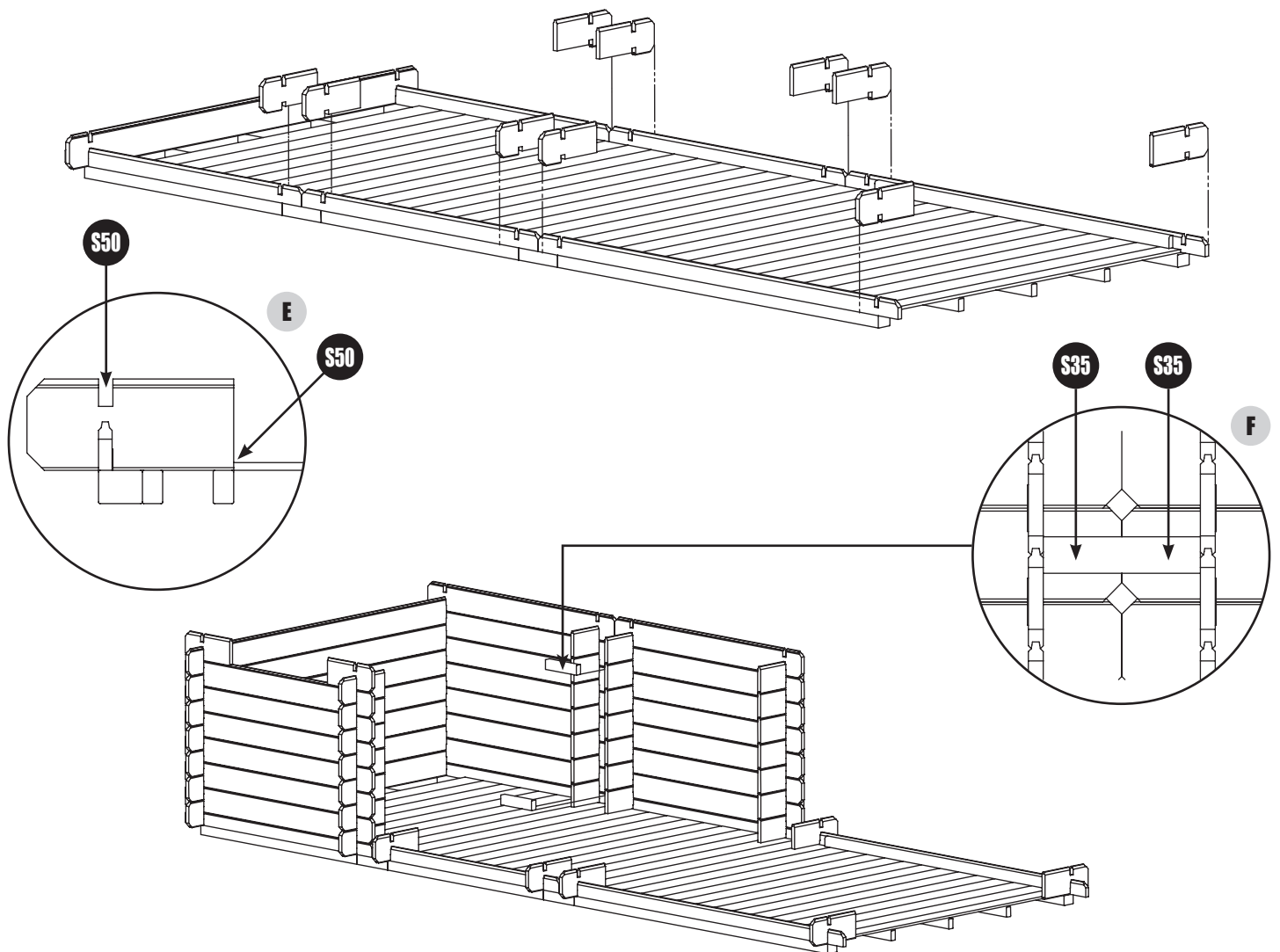
Cut Log x 2



Notched Floor Log x 4

ADDITIONAL STEPS FOR DOOR POSITIONING.

- If you are having the door in an end, remove the full log used for boarding floor and replace with 2x cut logs as shown. Insert 2x 190mm spacers under door logs.
- If you are having the door on a side leave full board in place.

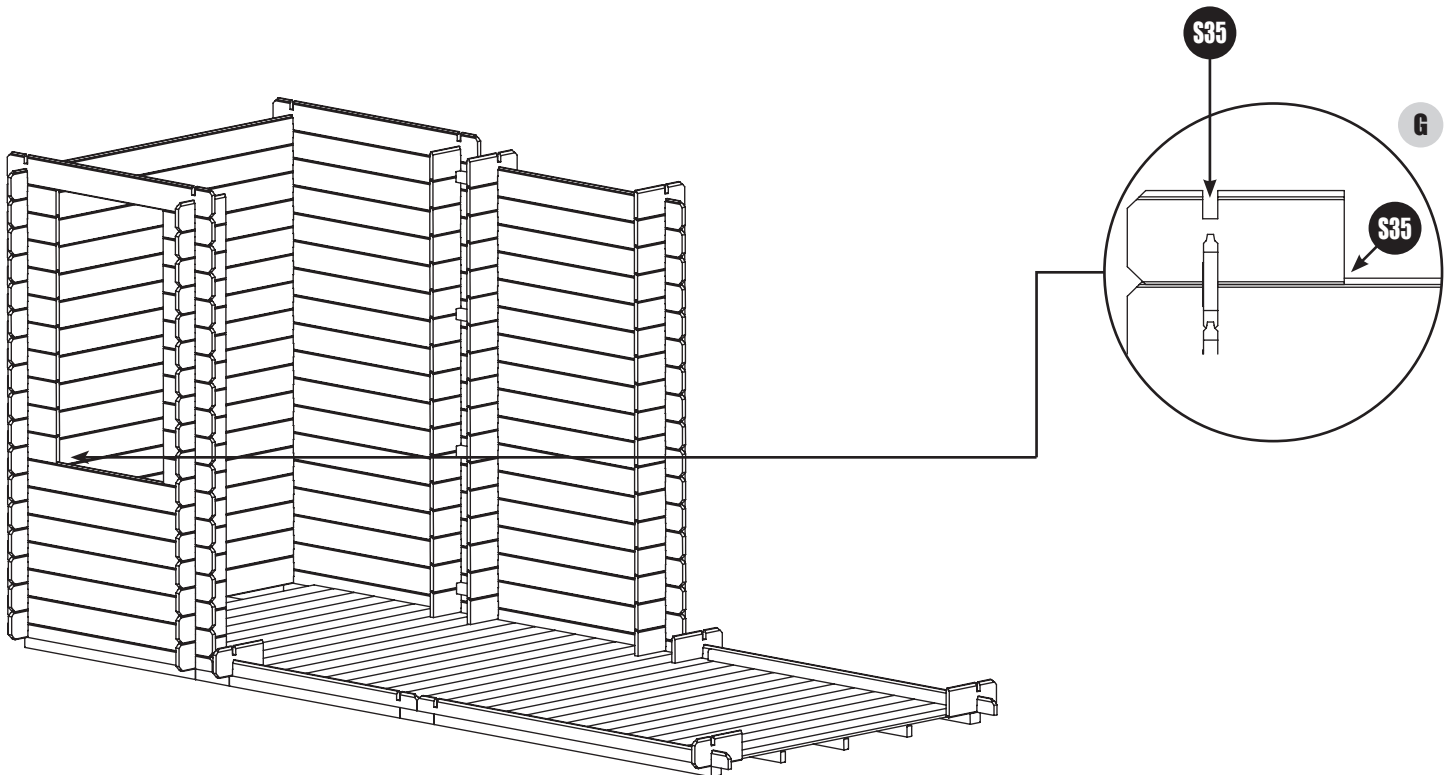


- Build up back wall, gables and front wall as shown.
- Tie back wall together with 190mm spacers, every 3rd log fitted, using 2x 35mm **(S35)** screws per spacer. **(Pic F)**

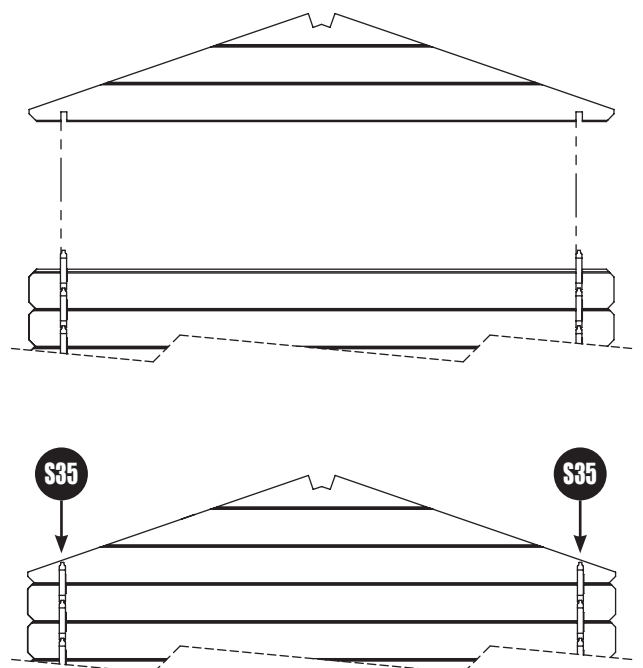
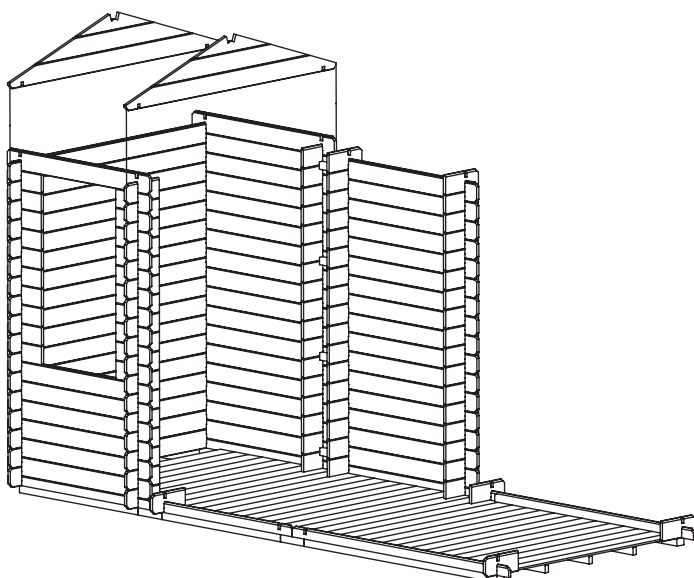
Step 8:

WALL ASSEMBLY STAGE 2 (MODULE PACKS: A, B, C, D, E, F, Q & T)

- Once 6 logs high, use 274mm cut logs to start building window frame.
- Secure through notch into log below using 1x 50mm **(S50)** screw. Angle drill pilot hole then screw in place using 1x 50mm **(S50)** screw as shown. **(Pic G)**
- Continue to build upwards. Remembering to tie the back wall together using 190mm spacers every 3rd log fitted using 2x 35mm **(S35)** screws.



- Install apex gable tops as shown below.
Secure into walls using 2x 35mm **(S35)** screws per header.

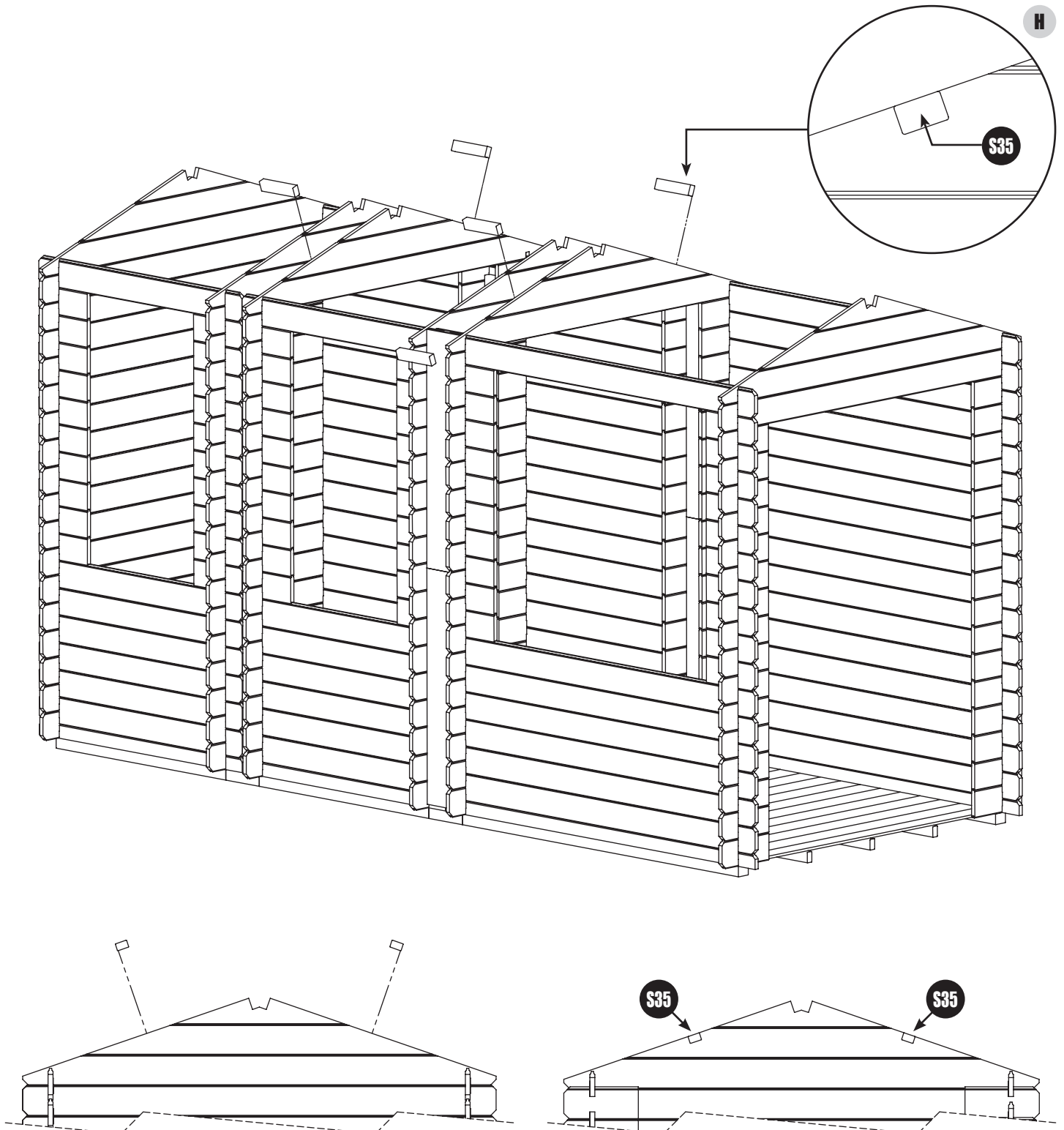


Step 9: S35

WALL ASSEMBLY STAGE 3

(MODULE PACKS: A, B, C, D, E, F, Q & T)

- Continue log fitting process to build remaining walls. Continue to tie the side walls together using 190mm spacers every 3rd log fitted using 2x 35mm **(S35)** screws.
- Secure 190mm spacers to central gable tops using 2x 35mm **(S35)** screws per spacer as shown. **(Pic H)**



Step 10:



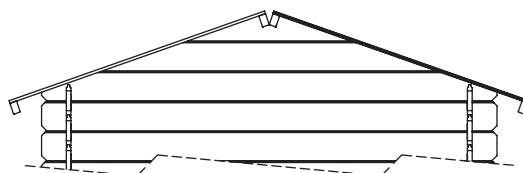
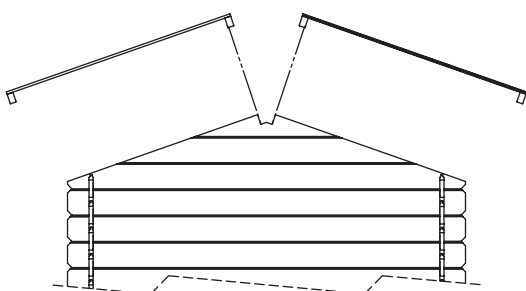
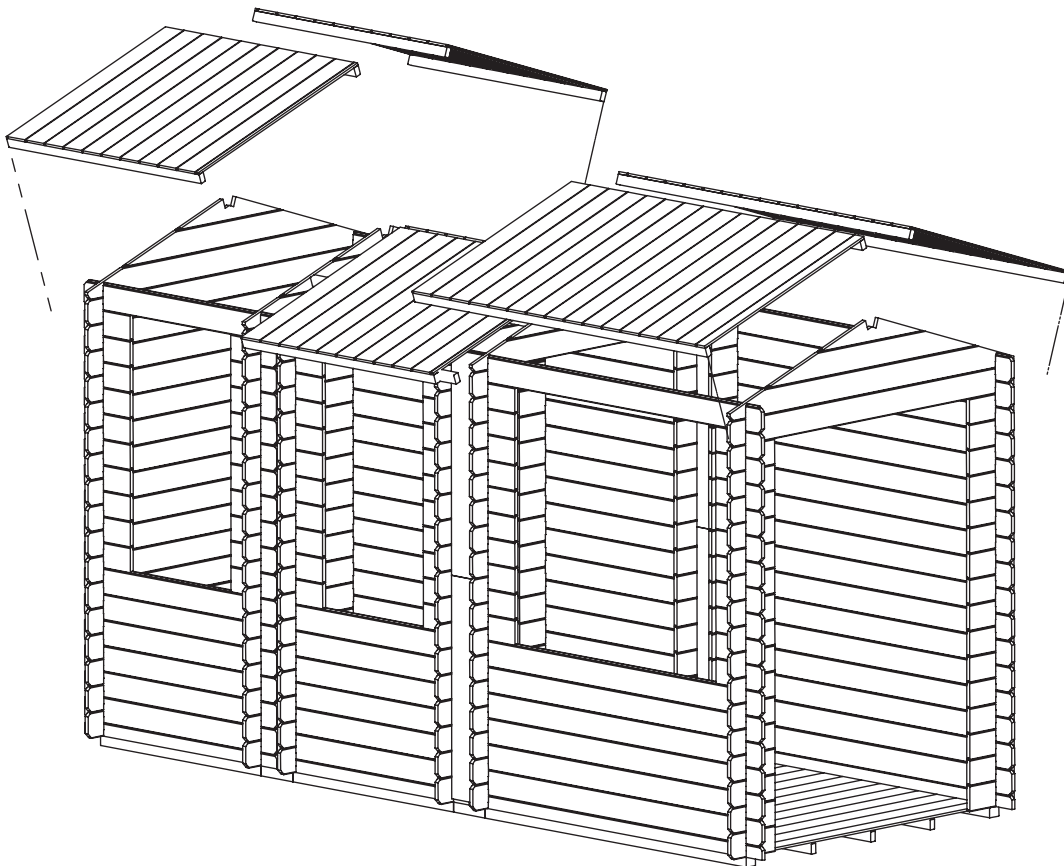
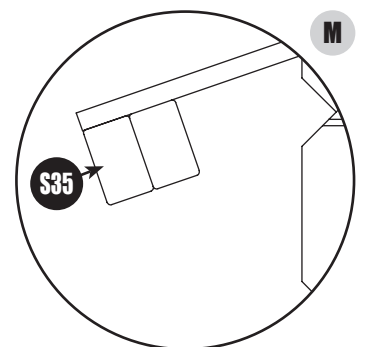
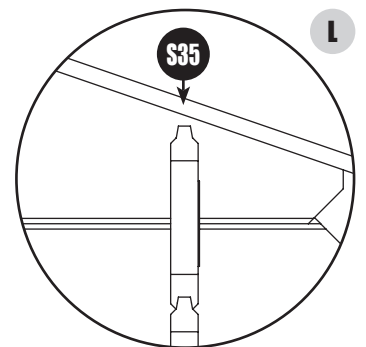
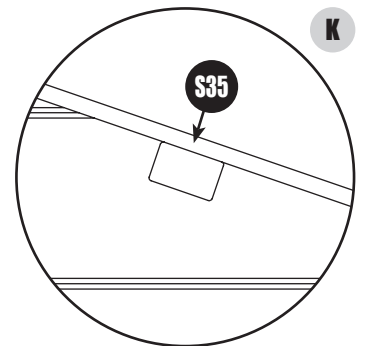
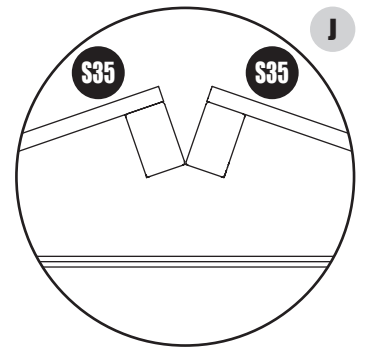
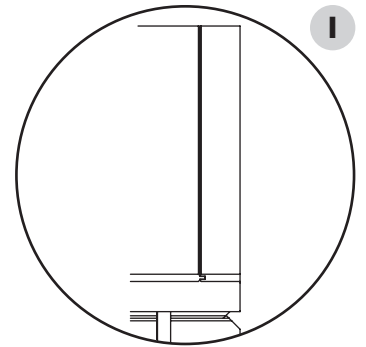
tigertip

Use a spirit level to draw a guide line for drilling through into walls.

ROOF PANEL INSTALLATION

(MODULE PACK: K & L)

- “Hook” roof panels into notches at apex of gable tops.
- Roof panels should be flush with outer edges of the logs. **(Pic I)**
- Secure roof to walls and gable tops using the following steps:
 - 1) 4x 35mm **(S35)** screws into gable tops. **(Pic J)**
 - 2) 1x 35mm **(S35)** screw into gable top spacer. **(Pic K)**
 - 3) 3x 35mm **(S35)** screws into side walls. **(Pic L)**
- Secure roof panels to each other using 190mm spacer and 2x 35mm **(S35)** screws. **(Pic M)**

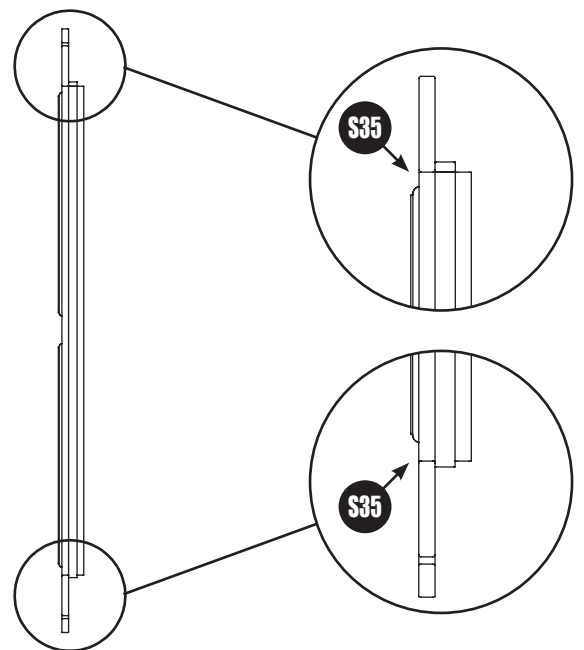
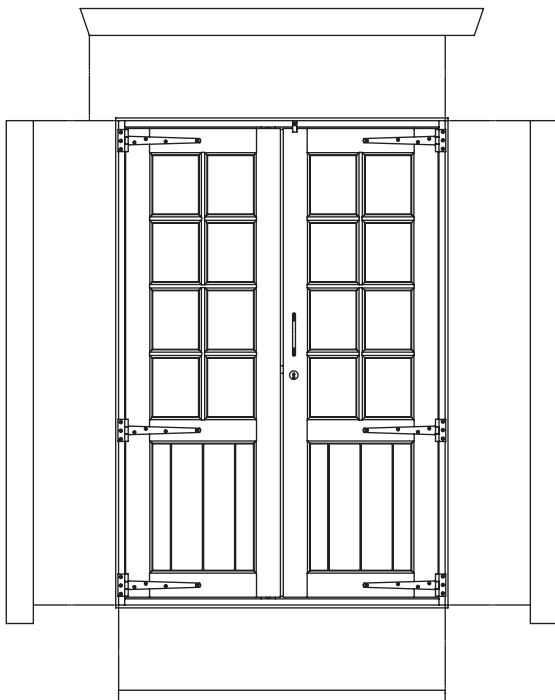
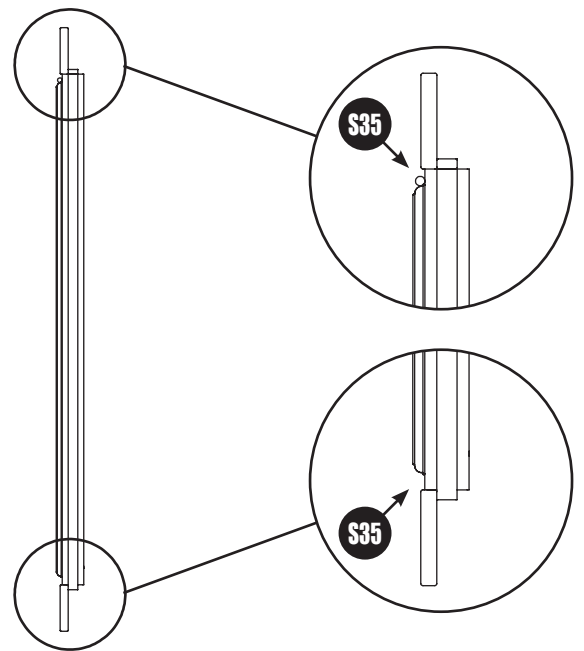
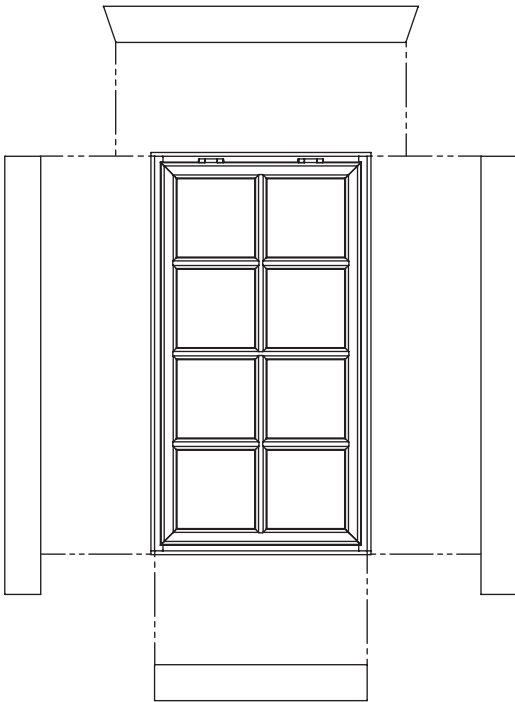


Step 11:

WINDOW & DOOR FASCIA ASSEMBLY

(MODULE PACKS: Window - FXCW3 & W, FXCW4 & V | Door - FXCD2 & U)

- Take window frame and attach the front fascia only. **On a door, the front side fascia's are the longer of the two.**
- Attach side fascia's first. Secure using 3x 35mm **(S35)** screws **per window fascia** and 4x 35mm **(S35)** screws **per door fascia**. Angle pilot hole first and then screw through fascia board into frame.
- Repeat the process for the header and bottom fascia board using 3x 35mm **(S35)** screws per fascia.



Step 12:

WINDOW INSTALLATION

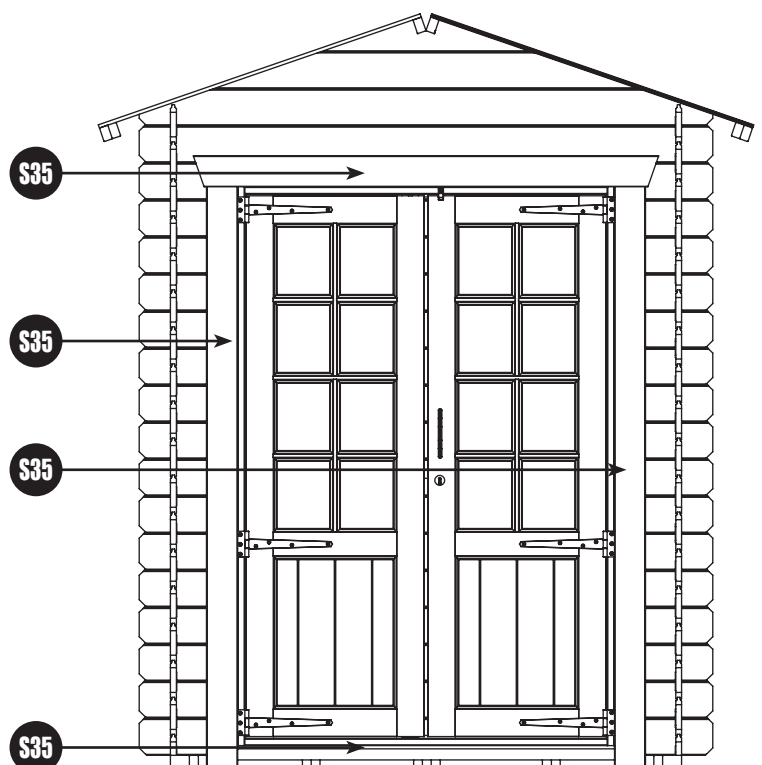
- Offer window up to the opening as shown.
- Make sure window is positioned centrally, resting on the last full log within the opening.
Note: There will be a gap either side to allow for settling.
- Secure the window to the walls using 12x 35mm **(S35)** screws.
- Internal fascia's can be installed at this point. **(Repeat Stage 11)**



Step 13:

DOOR INSTALLATION

- Offer door up to the opening as shown.
- Make sure door is positioned centrally, resting on the last tanalised bearers on the floor within the opening.
1) If door is on side of cabin, rest door on the half log.
Note: There will be a gap either side to allow for settling.
- Secure the door to the walls using 12x 35mm **(S35)** screws.
- Internal fascia's can be installed at this point. **(Repeat Stage 12)**
Note: Doors do not have an internal lower bottom fascia.

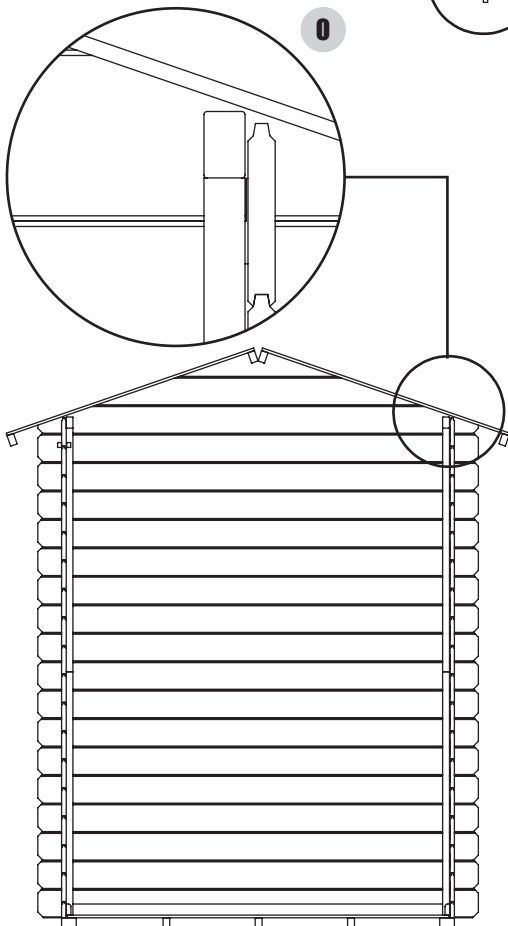
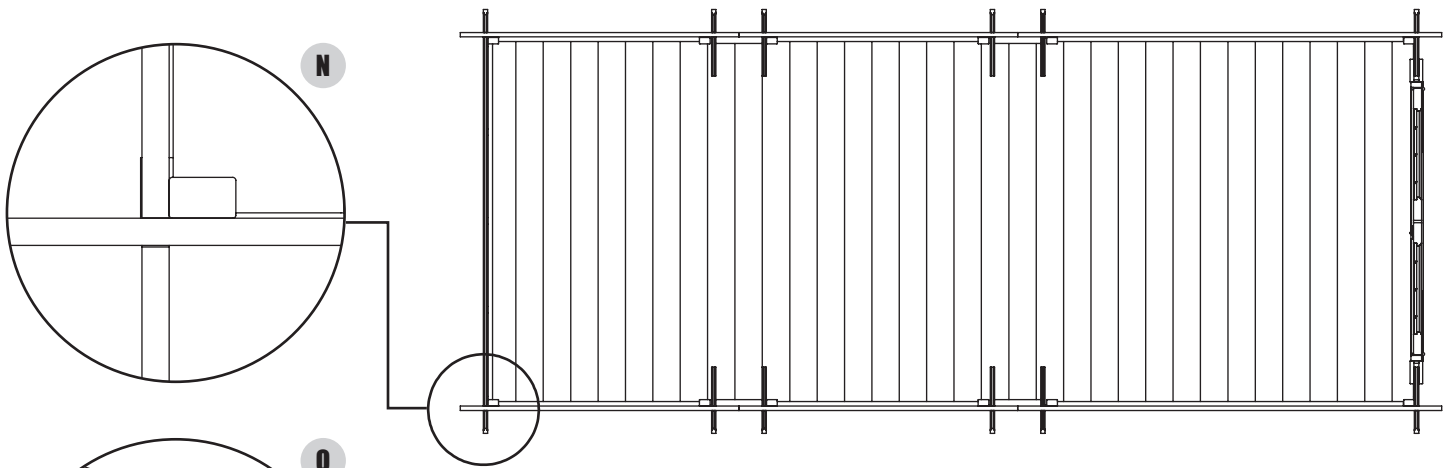


Step 14:

INTERNAL FIXINGS

(MODULE PACKS: H, J, X & Y)

- Secure corner battens in place as shown. **(Pic N)** Battens are in 2 pieces so need to be butted together.
 - Secure to gable walls using 4x 50mm **(S50)** screws per corner (2 per batten)
 - Secure to side walls using 4x 35mm **(S35)** screws per corner (2 per batten)
- Secure roof battens in place as shown using 2x 35mm **(S35)** screws per batten. **(Pic O)**
- Secure side skirting (1430mm) as shown using 3x 35mm **(S35)** screws per skirting piece. **(Pic P)**
- Secure gable skirting (1467mm) as shown using 3x 35mm **(S35)** screws per skirting piece.
- Cut spare skirting pieces to 133mm and use to skirt jointing section.



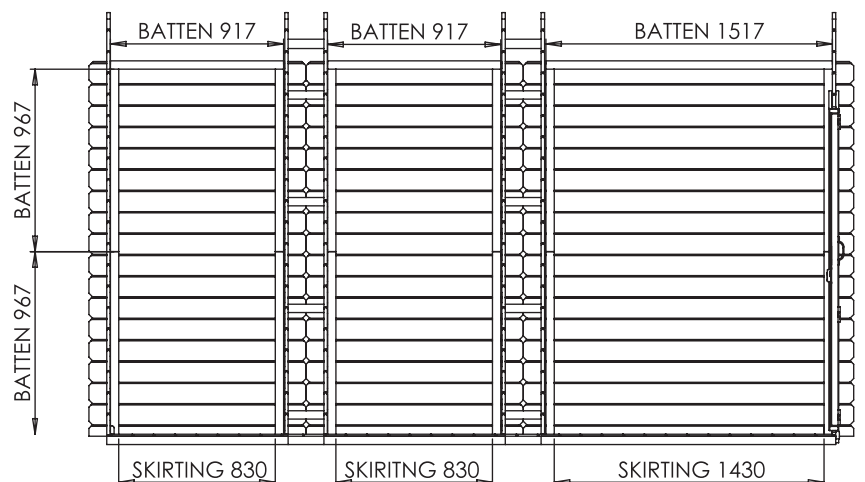
P ROOF PANELS REMOVED FOR CLARITY:

Roof battens in place - 6 places

- 2 x 1517mm & 4 x 917mm

Floor skirting in place - 6 places

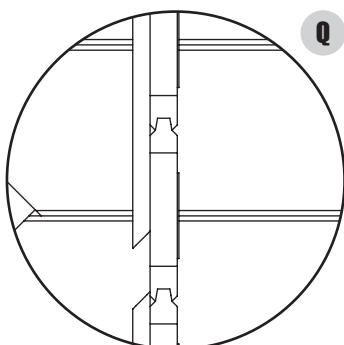
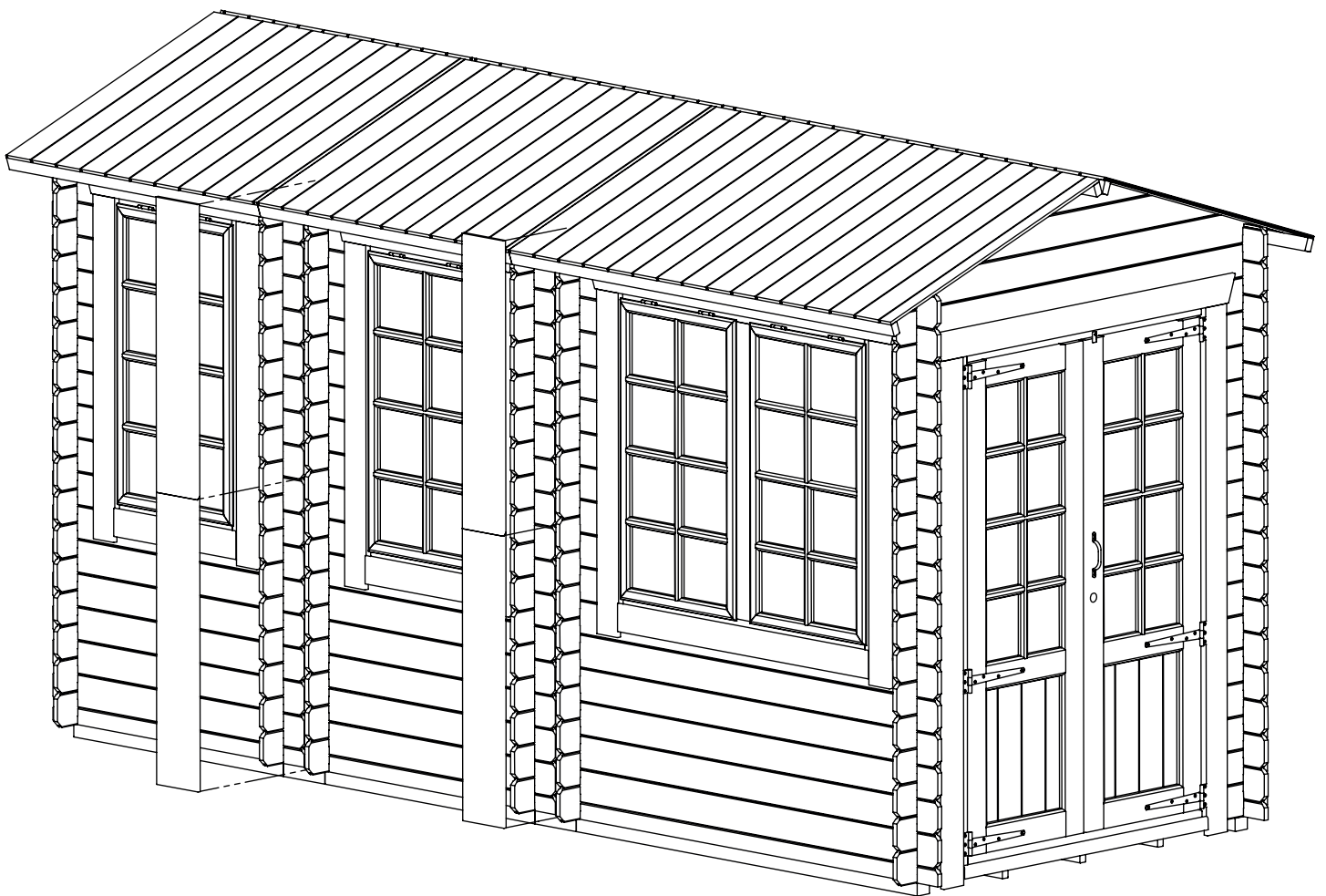
- 2 x 1430mm & 4x 830mm



Step 15:

JOINTING FASCIA BOARDS (MODULE PACKS: N)

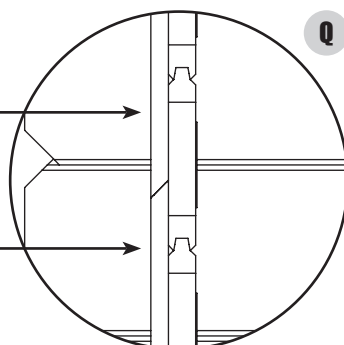
- Secure cover fascia's internally & externally as shown between the side module joins.
- Butt top fascia flush with roof and secure in place using 4x 35mm **(S35)** screws
Note: Angle edge must be as shown to stop water ingress.
- Butt bottom fascia board against top fascia board as shown and secure in place using 4x 35mm **(S35)** screws. **(Pic Q)**
- Repeat for internal fascia boards and remaining exterior fascia board. Secure into 190mm battens. **(Pic R)**



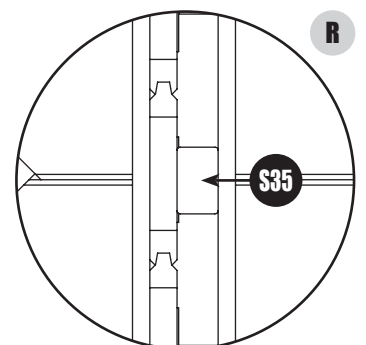
Q

S35

S35



Q



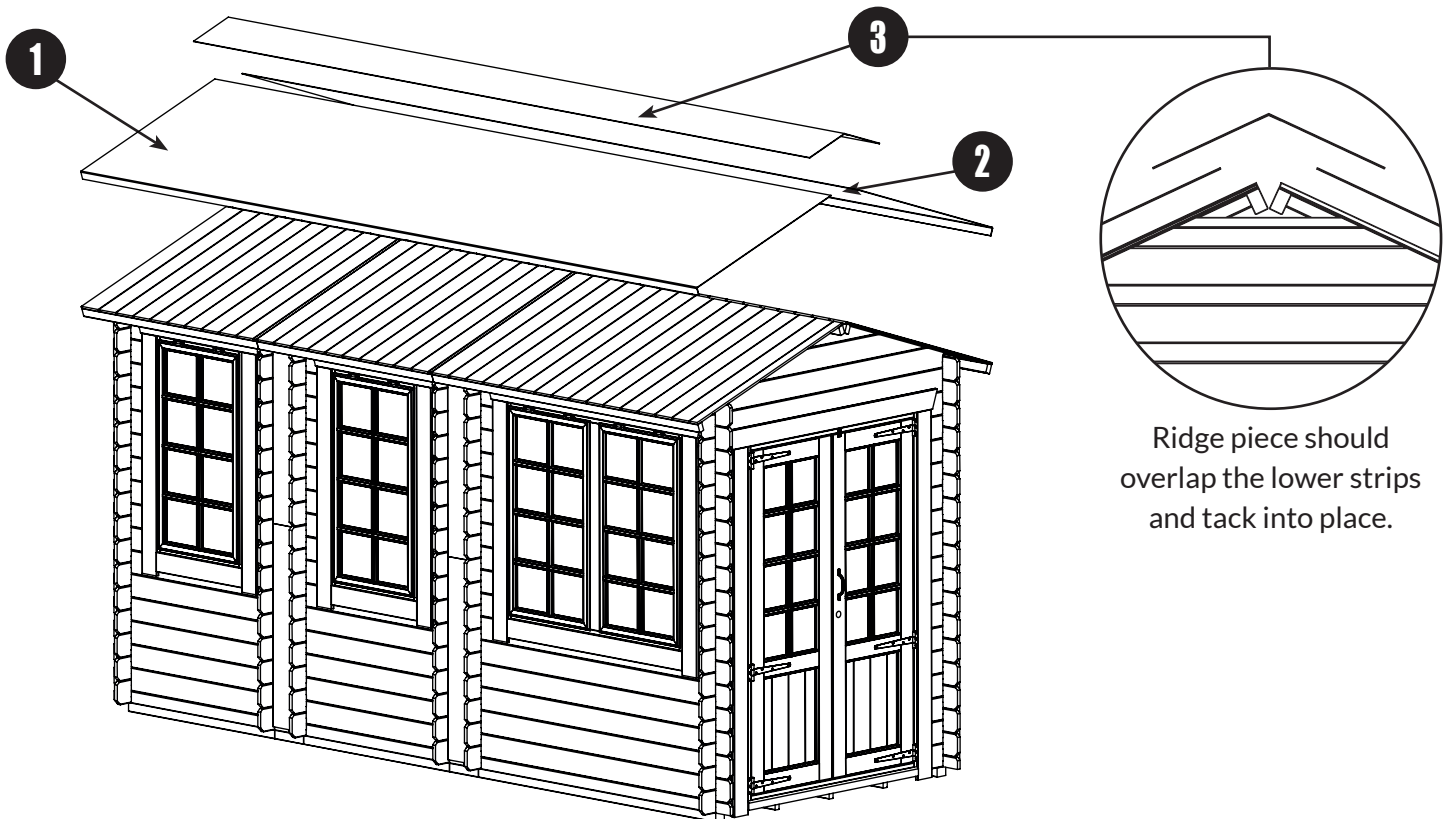
R

S35

Step 16:

FELTING THE ROOF

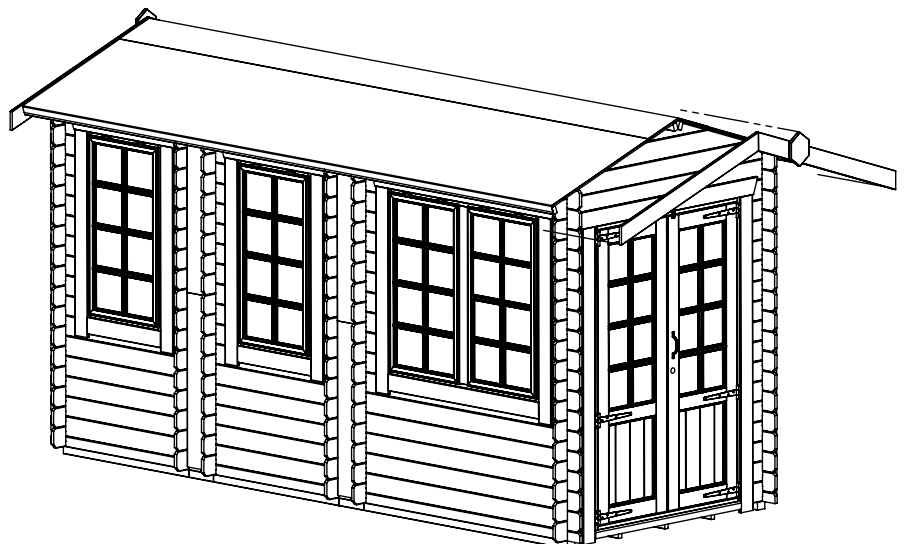
- Roll out felt along lower part of roof, leaving sufficient overhang to fold down onto roof edge.
Note: Do not fold underneath roof.
- Use clout nails (**C13**) to tack top of felt section 1 to the roof panels. Repeat for felt section 2.
- Fold the overhanging felt at ends under roof panel and tack in place.
- Felt section 3 should overlap the lower strips and tack into place.



Step 17:

BARGE BOARDS & FINIAL (MODULE PACKS: R)

- Fit barge boards to the roof panels, trapping overhanging end of the felt in between to provide a weather proof seal. Secure using 2x 40mm (**N40**) nails per barge board
- Secure finial over the top of the barge boards using 2x 40mm (**N40**) nails per barge board



ROOF COVERING OPTIONS

All Tiger buildings are designed to use **TigerFelt®** high grade poly-backed durable mineral roofing felt. If you have chosen a different roof covering option – such as EPDM rubberised roof covering or Cabin Shingles, please see their separate roofing instructions available on their product pages at **tigersheds.com**. Please note that for Shingles, we recommend still using the felt roof cover as an underlayer for the shingles to improve weather resistance yet further.

MAINTENANCE

To validate your guarantee and ensure longevity of the product, it is ESSENTIAL that your building is treated with a suitable wood preserver or paint AFTER assembly, both internally and externally. For the continued protection for unpainted areas of your garden building we recommend maintaining your timber treatment with **TigerSkin®** preserver. This solvent based wood treatment will penetrate deep into the wood giving years of protection against the weather and also enhance timber grain with a rich long lasting protection. A water repellent formula which is harmless to plants when dry, it is available in a wide range of colours to refresh the look and feel of your wood. Discover more at **tigersheds.com**.

SETTLING IN

Once the building has been erected, the timber logs and framing may need to settle and acclimatise to the environment, so we would suggest that the door and window fittings are temporarily loosened (but not removed) to allow for this.

NEED HELP?

If you need any help with parts of the build please see the handy HELP section on the Tiger website which has articles, guides and videos that may help you. If you have other questions, please call 0113 2054189 for Customer Support or use the Items Delivered Query form at **tigersheds.com/contact**.

GO WITH THE PRO!

We understand how busy life can be: our Pro-Installation service can take the stress and strain out of assembling your quality Tiger building for you. We recommend using professional and dedicated installers to erect your building. With their knowledge and experience, they will ensure that your shed or cabin is put properly in place ready for you to enjoy your space for years to come.

If you have not booked our Pro-Installation service and would like to arrange an installation, please contact our friendly customer team on 0113 205 4189 (Mon – Fri 9am-5pm) or email sales@tigersheds.com.

- The pro-install team will then contact you to arrange a suitable time and date for the fitting.
- Sit back, relax and let our professional home installation service do all the hard work for you!
- Please view our Pro Installation page for full terms and conditions.



Local Display Agent

Woodlands DIY Store
Station Yard,
Horsforth,
Leeds,
LS18 5NZ

Telephone: 0113 205 4189
Website: tigersheds.com
Email: customersupport@tigersheds.com

