
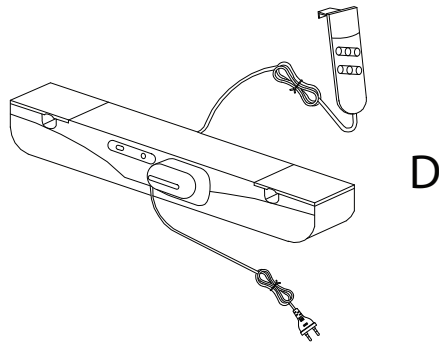
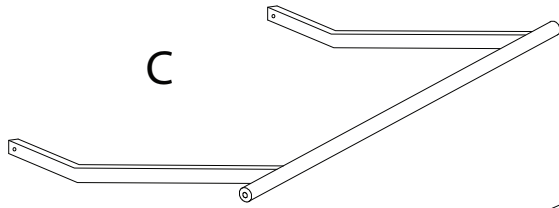
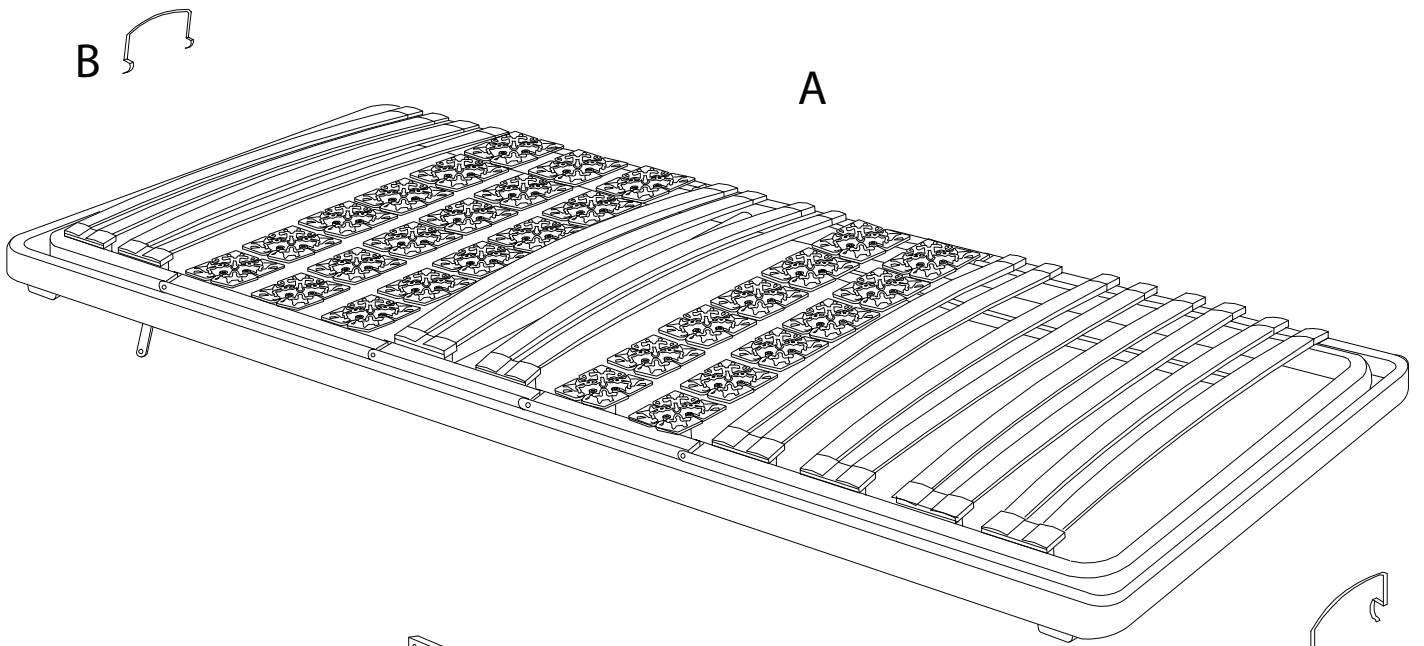
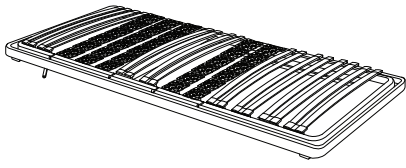
	<p>15'</p>
		
		<p>1</p>



Ex 4



A



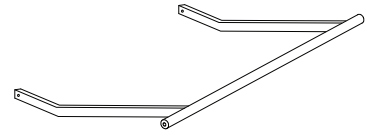
x 1

B



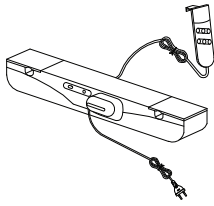
x 2

C



x 1

D



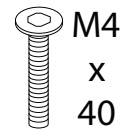
x 1

E



x 4

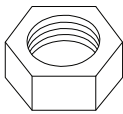
F



M4
x
40

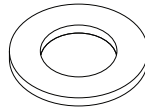
x 6

G



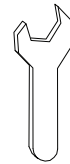
x 4

H



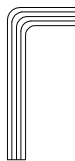
x 8

I



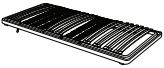
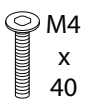
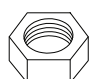
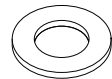

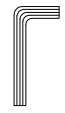
x 1

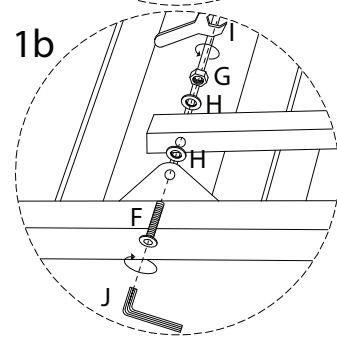
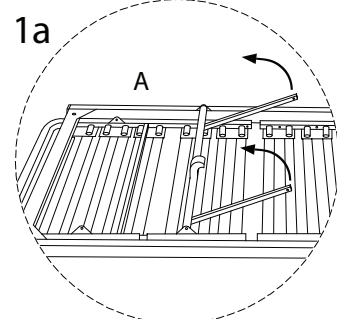
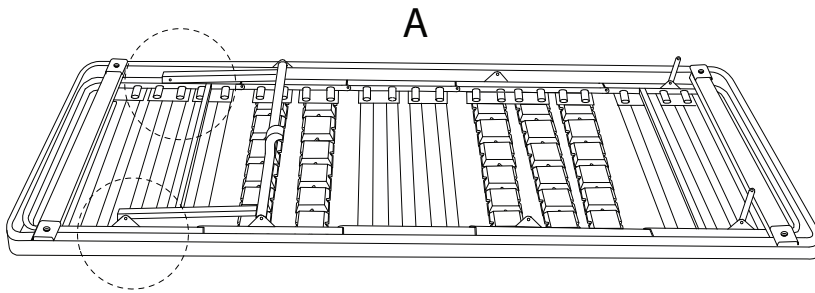
J



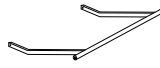
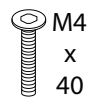
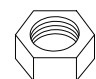
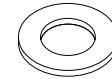
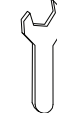
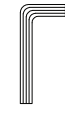
x 1

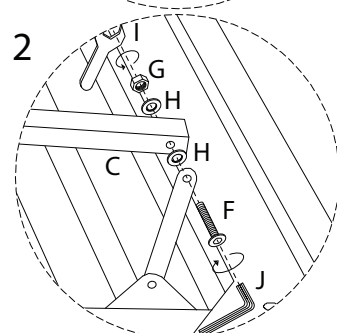
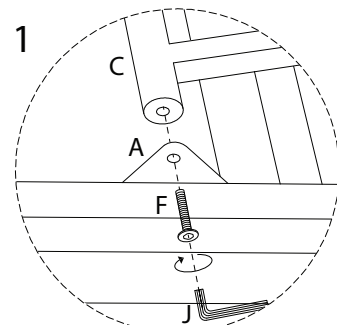
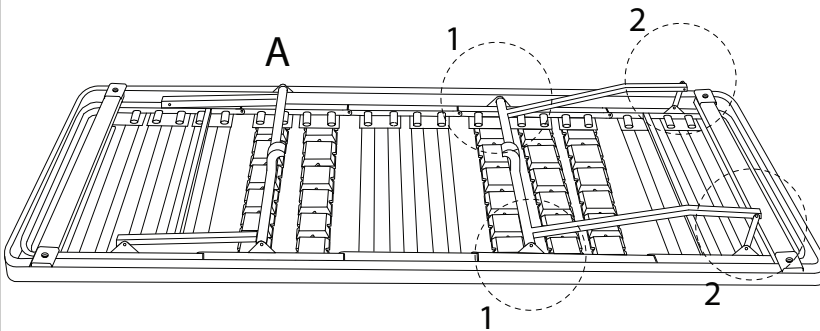
1

A  x 1	F  M4 x 40 x 2	G  x 2	H  x 4	I  x 1	J  x 1
--	--	--	---	--	--



2

C  x 1	F  M4 x 40 x 4	G  x 2	H  x 4	I  x 1	J  x 1
--	--	--	---	--	--

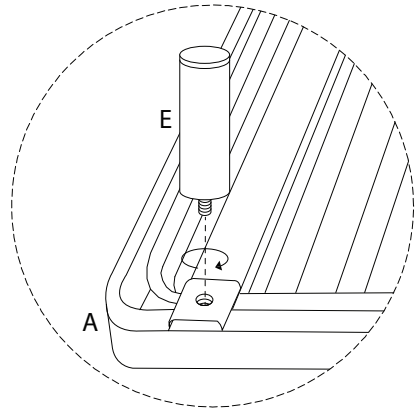
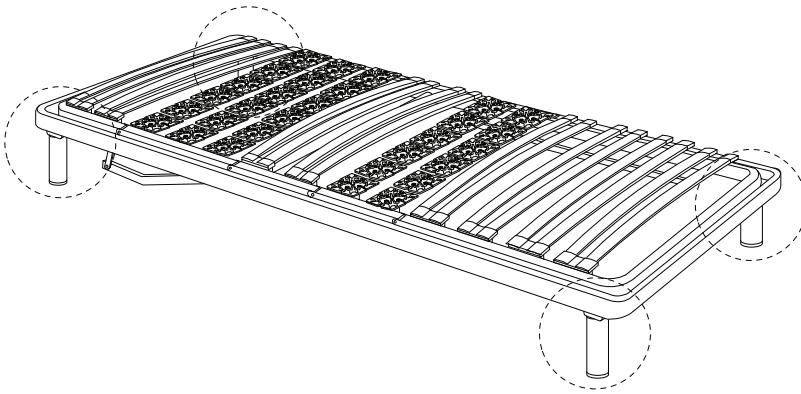


3

E

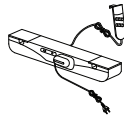


x 4

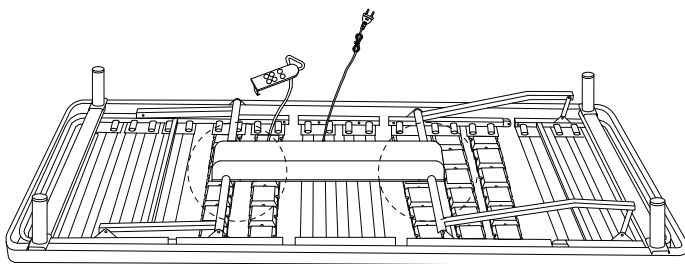


4

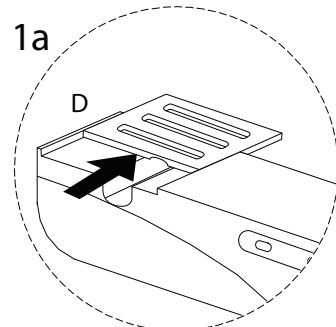
D



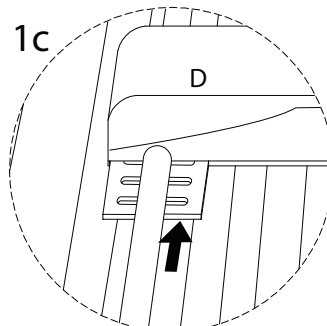
x 1



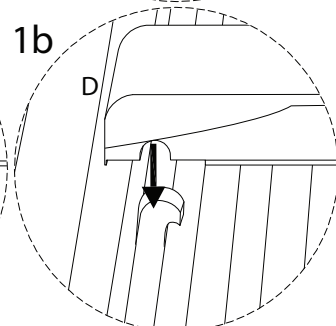
1a



1c

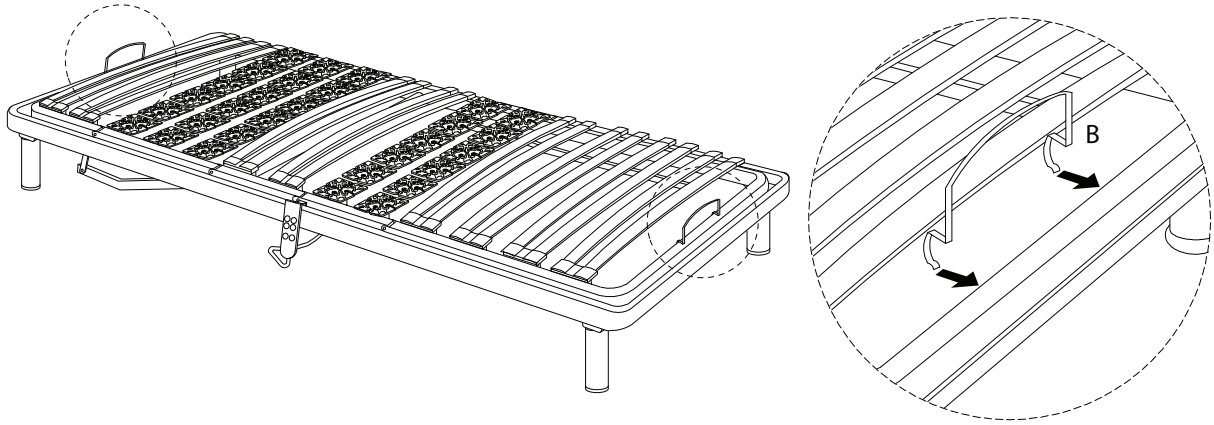


1b

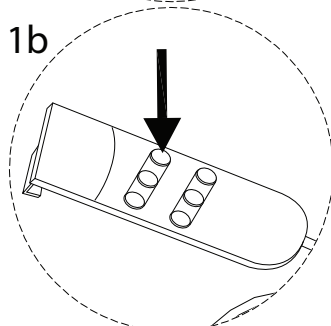
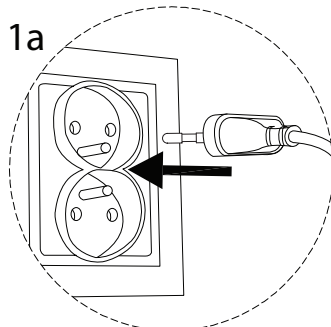
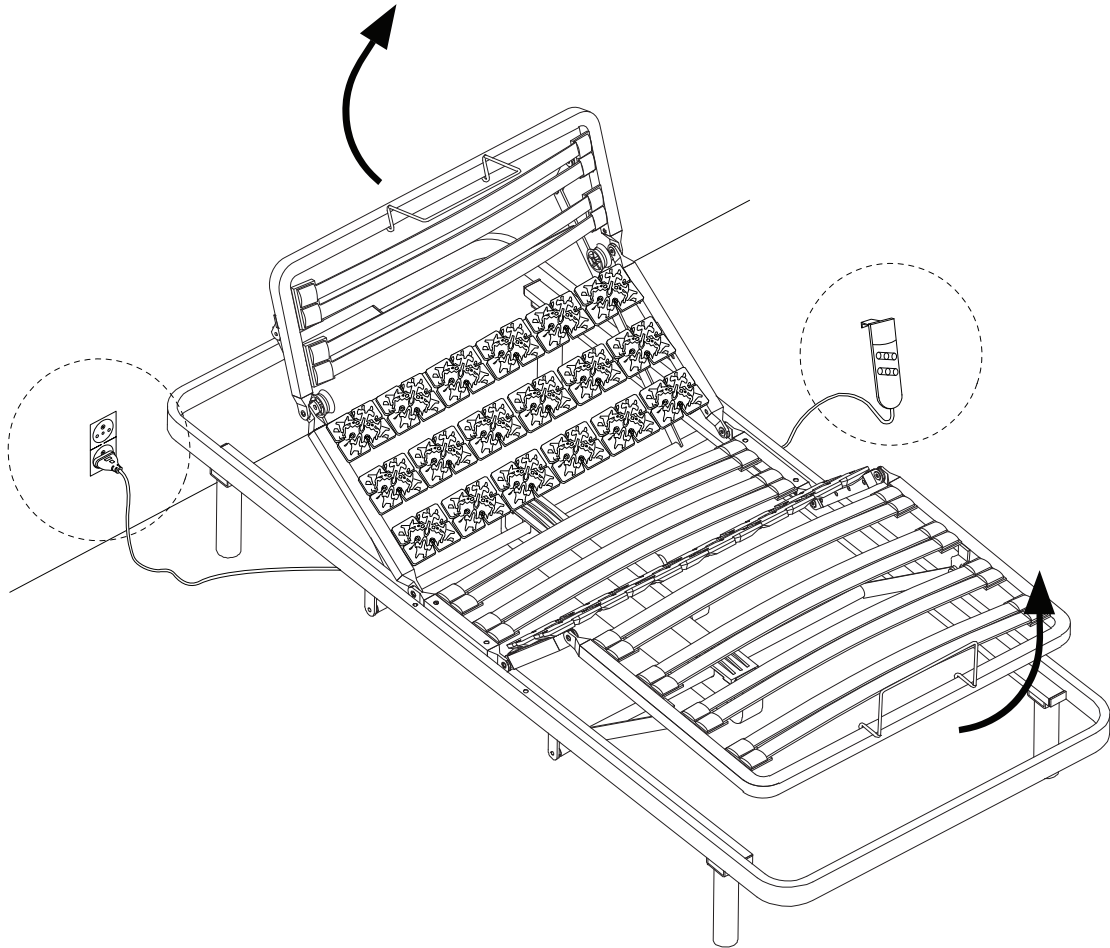


5

B
x2



!



!

