

ASSEMBLY INSTRUCTIONS



SOFA TABLE

ASSEMBLY INSTRUCTIONS

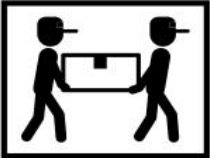
ASSEMBLY TIPS:

- 1.Remove hardware from box and sort by size.
- 2.Please check to see that all hardware and parts are present prior to start of assembly.
- 3.Please follow attached instruction in the same sequence as numbered to assure fast & easy assembly.



WARNING!

- 1.Don't attempt to repair or modify parts that are broken or defective. Please contact the store
- 2.This product is for home use only and not intended for commercial establishment.



ASSEMBLY TIME




10 MINUTES

PARTS IDENTIFICATION

A  MIRROR CABINET 1PC

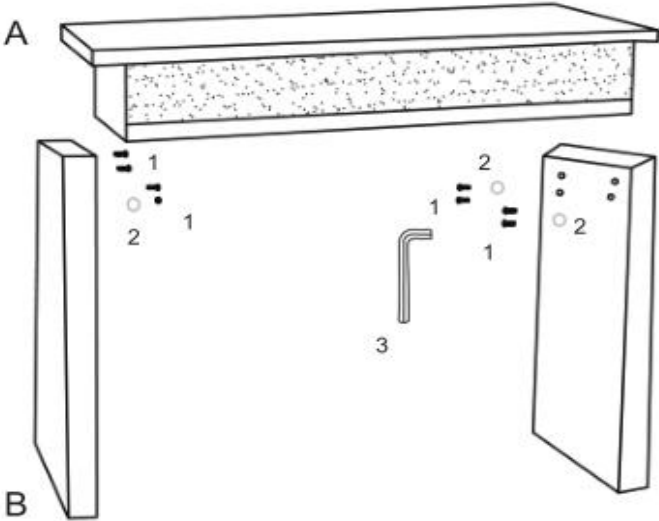
B  LEG 2PCS

HARDWARE

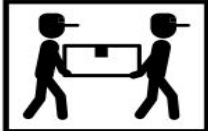
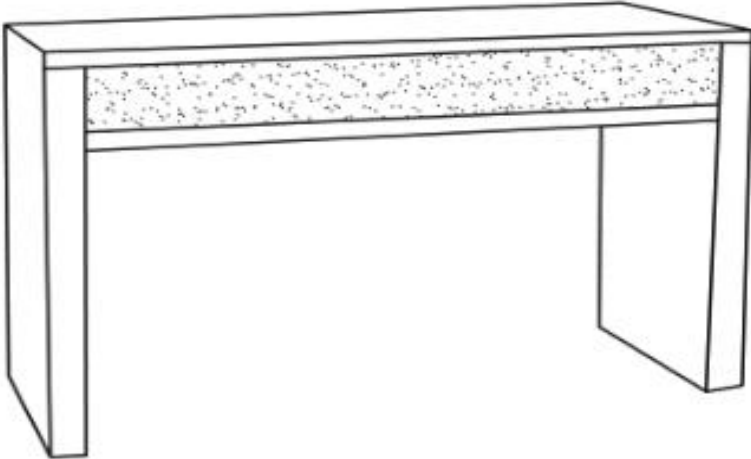
1		BOLT 8x35MM	8PCS
2		WASHER Φ20x2MM	8PCS
3		ALLEN KEY 30x80MM	1PC

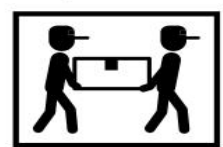
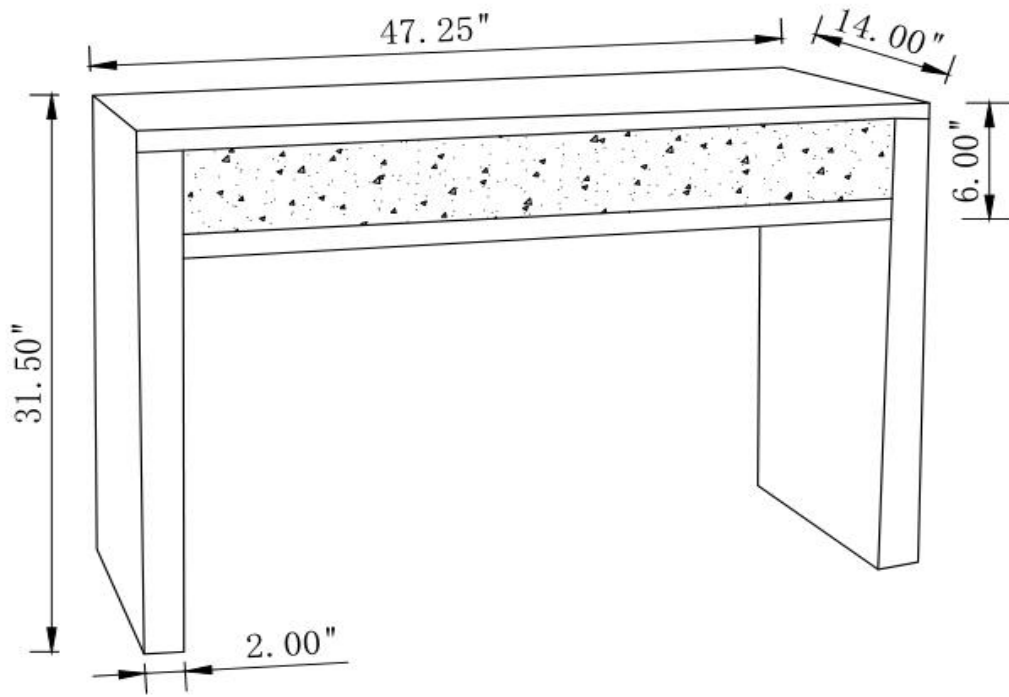
ASSEMBLY INSTRUCTIONS

STEP 1



STEP 2





Note: Dimension tolerance $\pm 5\%$