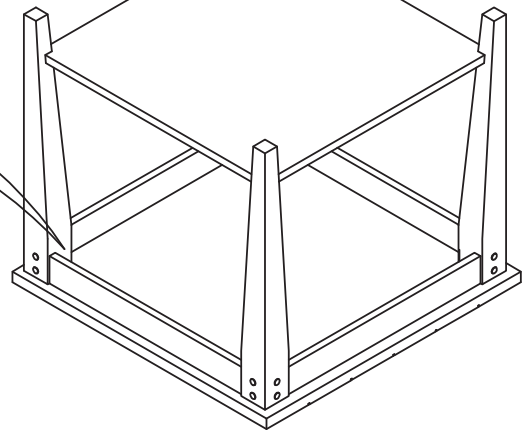
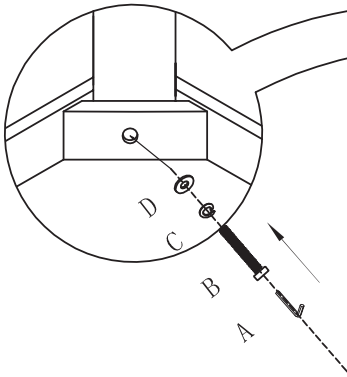
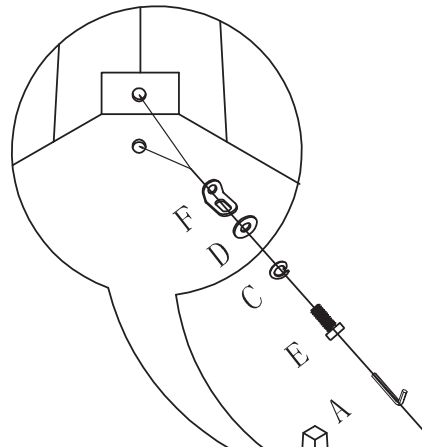
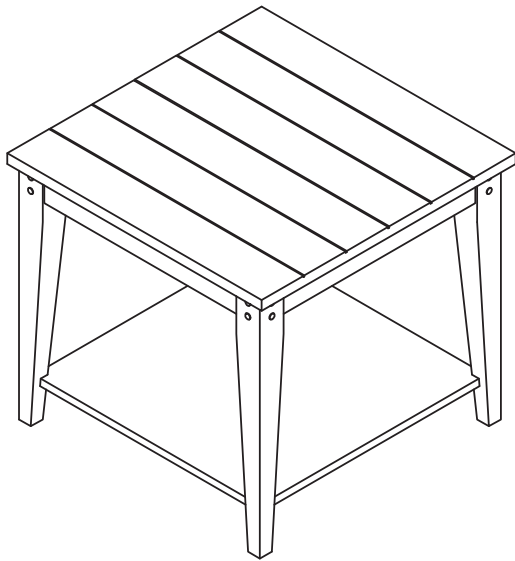








Assembly Instruction

SQUARE LAMP TABLE

Thank you for purchasing this quality product. Be sure to check all packing material carefully for small parts which may come loose inside the carton during shipment. Identify, count all parts and compare with the parts list below.



NO.	DRAWING	DESCRIPTION	Q' TY	NO.	DRAWING	DESCRIPTION	Q' TY
A		4mm	1	E		Ø1/4"*5/8"	8
B		Ø1/4"*2"	4	F		"L" Bracket	4
C		Ø1/4"	12				
D		Ø1/4"	12				

MADE IN CHINA