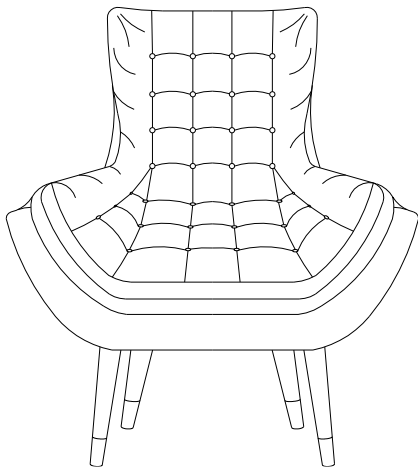


CHAIR

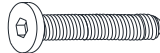



Thank you for purchasing the **CHAIR**. Before

you start, here are some helpful advice:

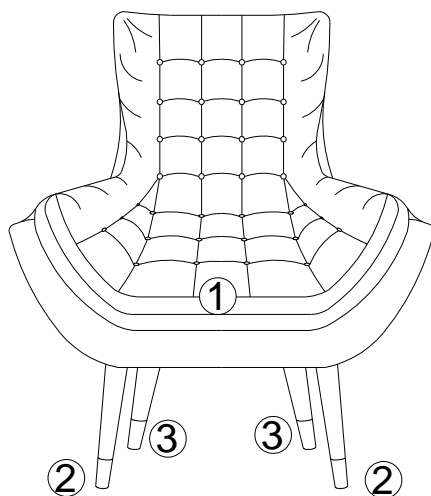
1. We suggest you spend a short time reading through this leaflet and then follow the simple step-by-step instructions.
2. Owing to the size and weight of the chair, we recommend that it is assembled by two adults, on a carpeted or padded area, in the room that it is intended for. Approximate assembly time: 15 minutes.
3. Please do not use any tools other than those provided or recommended in these instructions.
4. Please do not throw away any of the packaging or the instruction until you have checked all the components and hardware and the furniture is fully assembled. Please ensure that the packaging is disposed of in a safe and environmentally friendly way.
5. Assemble all components loosely until advised to tighten. Depending on use, it may be necessary to tighten the components from time to time, so please save the tools that have been provided.
6. Please keep all fitting out of reach of children.



Hardware:

- | | | | |
|----|--|---------------|-----|
| A. |  | Bolt M8x65mm | x 8 |
| B. |  | Spring Washer | x 8 |
| C. |  | Flat Washer | x 8 |
| D. |  | Allen Wrench | x1 |

Component:



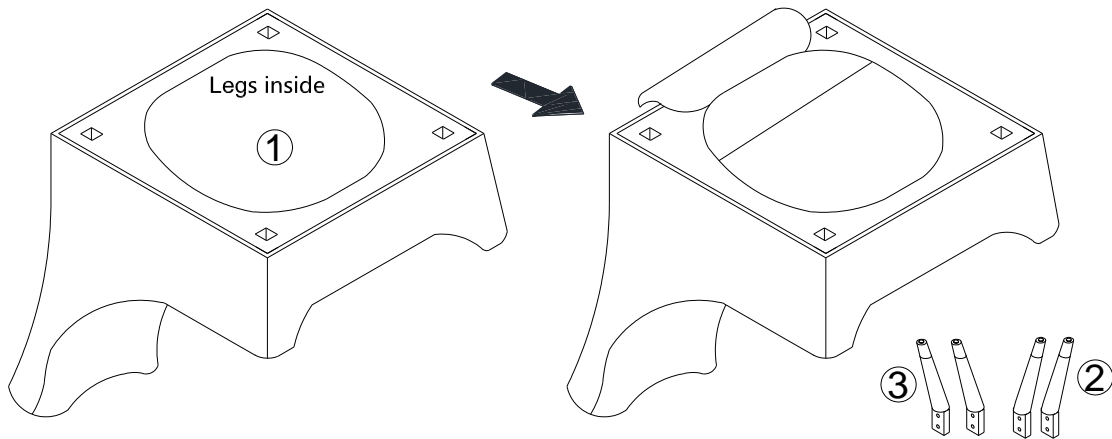
- 1 Chair Body x1 2 Front Leg x 2 3 Back Leg x 2

CHAIR

STEP 1:

Please put **Chair Body (1)** on a carpeted or padded surface.

Open the Velcro strip on the bottom of the **Chair Body (1)** and take out the 2 pieces of **Front Legs (2)** and 2 pieces of **Back Legs (3)** from the legs box.

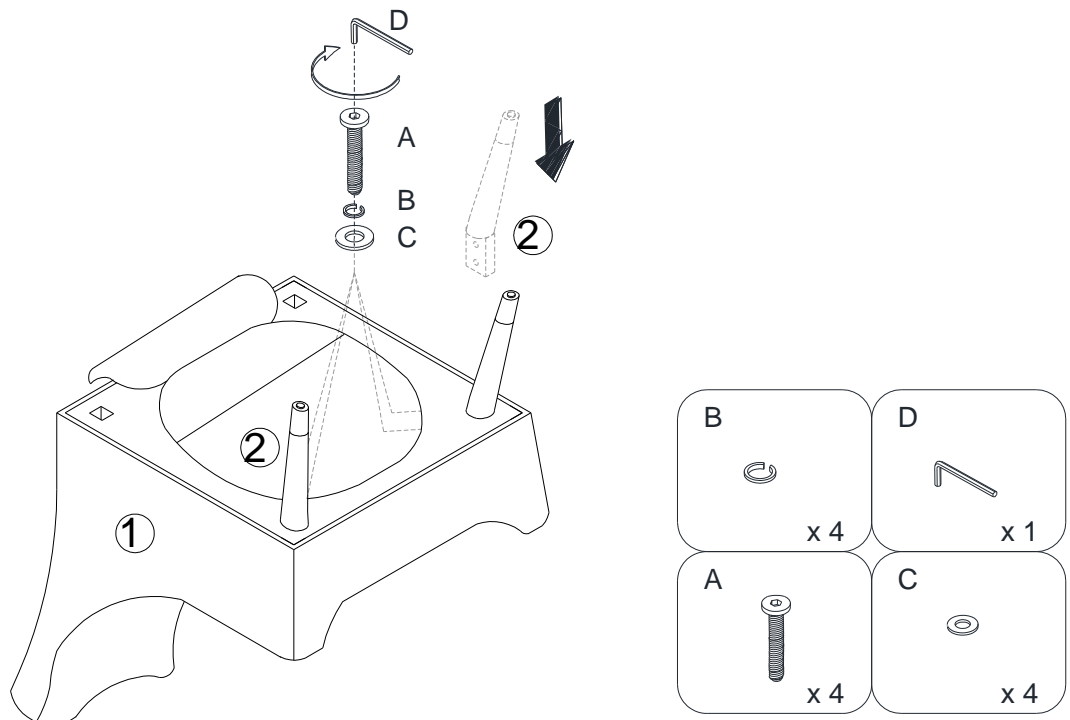


STEP 2:

Attach 1 piece of **Front Leg (2)** to the bottom of **Chair Body (1)** by using 2 pieces of **Bolts (A)** with 2 pieces of **Spring Washers (B)** and 2 pieces of **Flat Washers (C)** as shown.

Repeat the same steps for other 1 piece of **Front Leg (2)**.

Tighten **Bolts (A)** by using **Allen Wrench (D)** as shown.



Hardware & Tools required

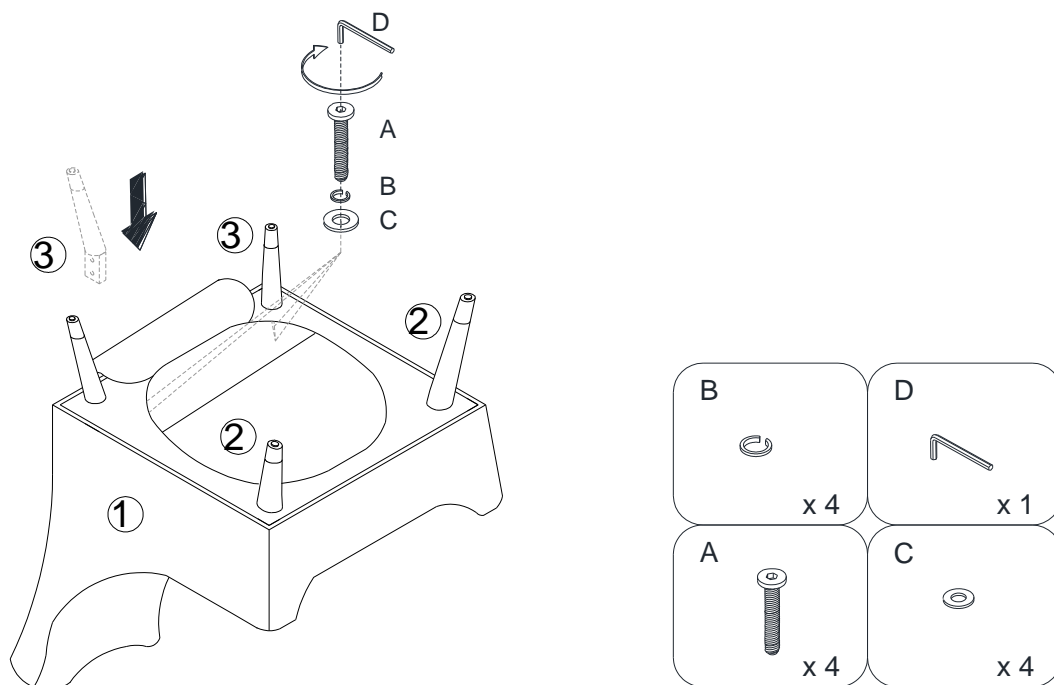
CHAIR

STEP 3:

Attach 1 piece of **Back Leg (3)** to the bottom of **Chair Body (1)** by using 2 piece of **Bolts (A)** with 2 pieces of **Spring Washers (B)** and 2 pieces of **Flat Washers (C)** as shown.

Repeat the same steps for other 1 piece of **Back Leg (3)**.

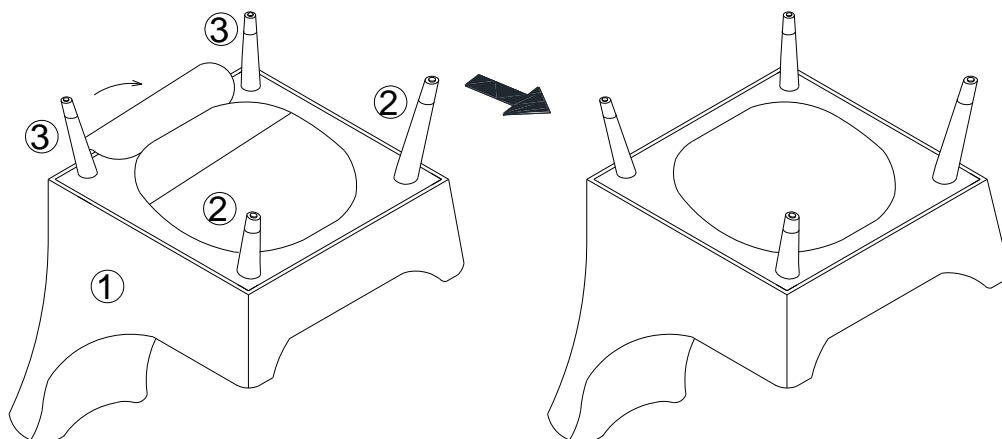
Tighten **Bolts (A)** by using **Allen Wrench (D)** as shown.



Hardware & Tools required

STEP 4:

Close the Velcro strip on the bottom of the **Chair Body (1)**.



CHAIR

STEP 5:

Carefully turn over the assembled **Chair Body (1)** and **Leg (2) & (3)** from step 4 as shown. Assembly is complete. Your Chair is ready to be used now!

