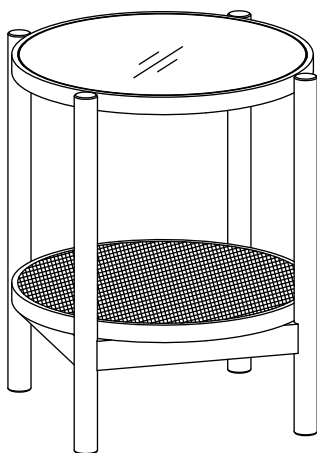


KARYNA RATTAN AND GLASS ACCENT TABLE

DESIGN #SFV2301

Assembly Instructions



SAFAVIEH
C O U T U R E

Thanks for bringing Safavieh Couture into your home

Everything we make is incredibly simple to set up, including your new table. You won't need any additional tools.

Parts List

A x 1
Top frame



B x 1
Shelf



C x 1
Top glass



D x 4
Legs



Ex 4
Stretcher



Hardware List

HW1 x 8
Bolt M6x60mm



HW2 x 12
Flat Washer M6x14mm



HW3 x 12
Spring washer M6x10mm



HW4 x 1
Allen key



HW5 x 8
Screw M4x40mm

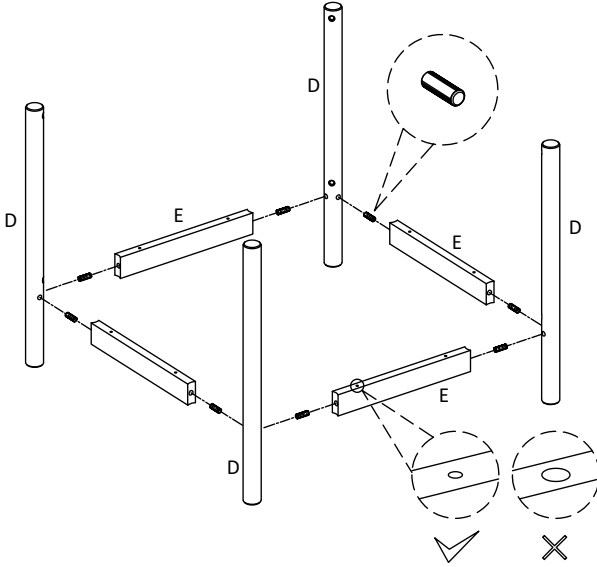


HW6 x 8
Wooden dowel



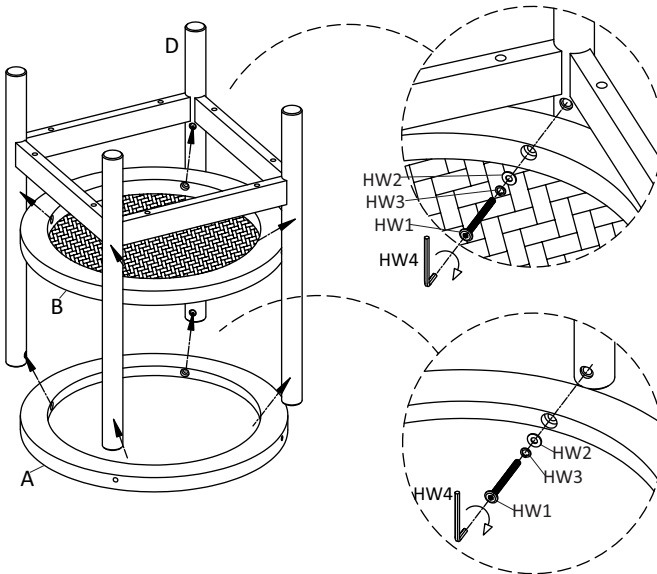
1

Insert one end of the dowels (HW6) into the Legs (D) and the other end into the Stretcher (E) as shown below.



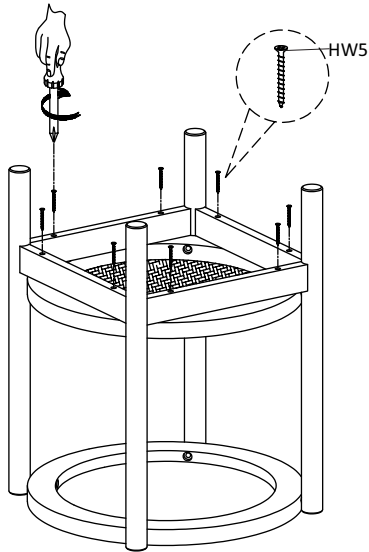
2

Place the Spring washers (HW3) and the Flat washers (HW2) on the Bolts (HW1). Attach the Top frame (A) and Shelf (B) to the Legs (D) by using the Allen Key (HW4) to screw in the Bolts (HW1) with the washers as shown.



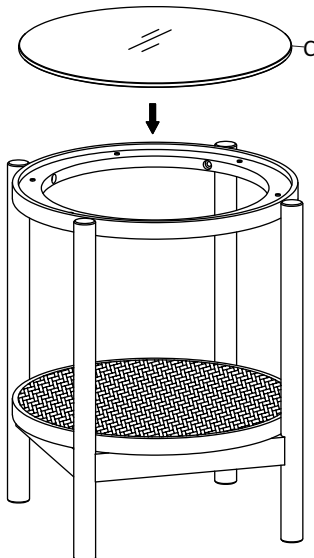
3

Attach the Shelf (B) to the Stretcher (E) by using a screwdriver (not included) to screw in the Screws (HW5) as shown.



4

Place the Top glass (C) in the Top frame (A) as shown below.

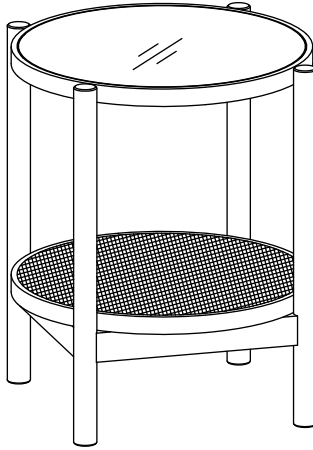


4

5

Place the table in the place where you will use it. We'd love to see it – just tag us (we're @safavieh) and use the hashtag #safavieh on Instagram!

@safavieh



Need help?

Feel free to contact us via email or call
if you have any specific questions!

contact us:

cs@safavieh.com

866-422-9070