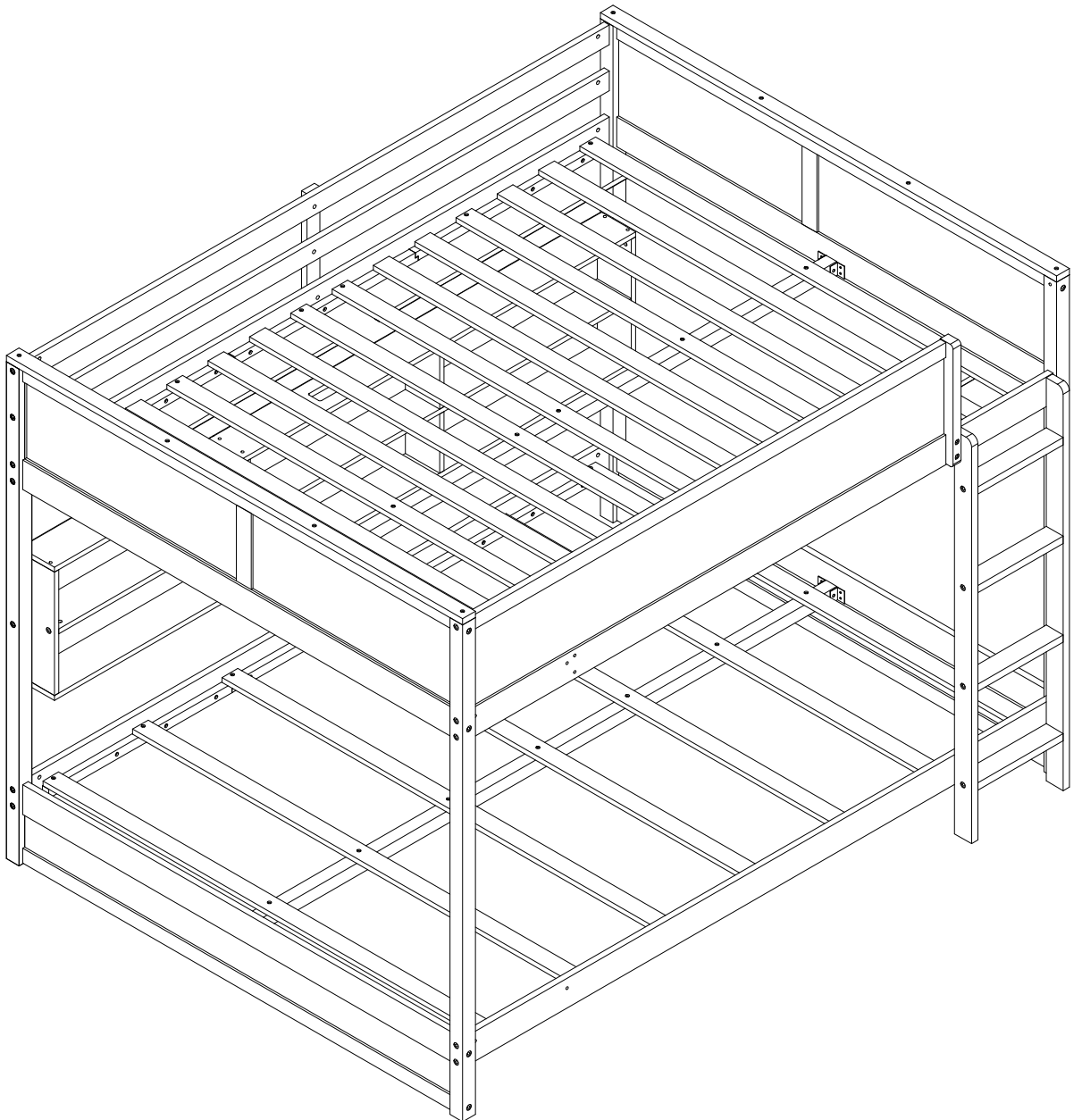


ASSEMBLY INSTRUCTION

SKU CODE: (SD11009)



! SAFETY WARNINGS !

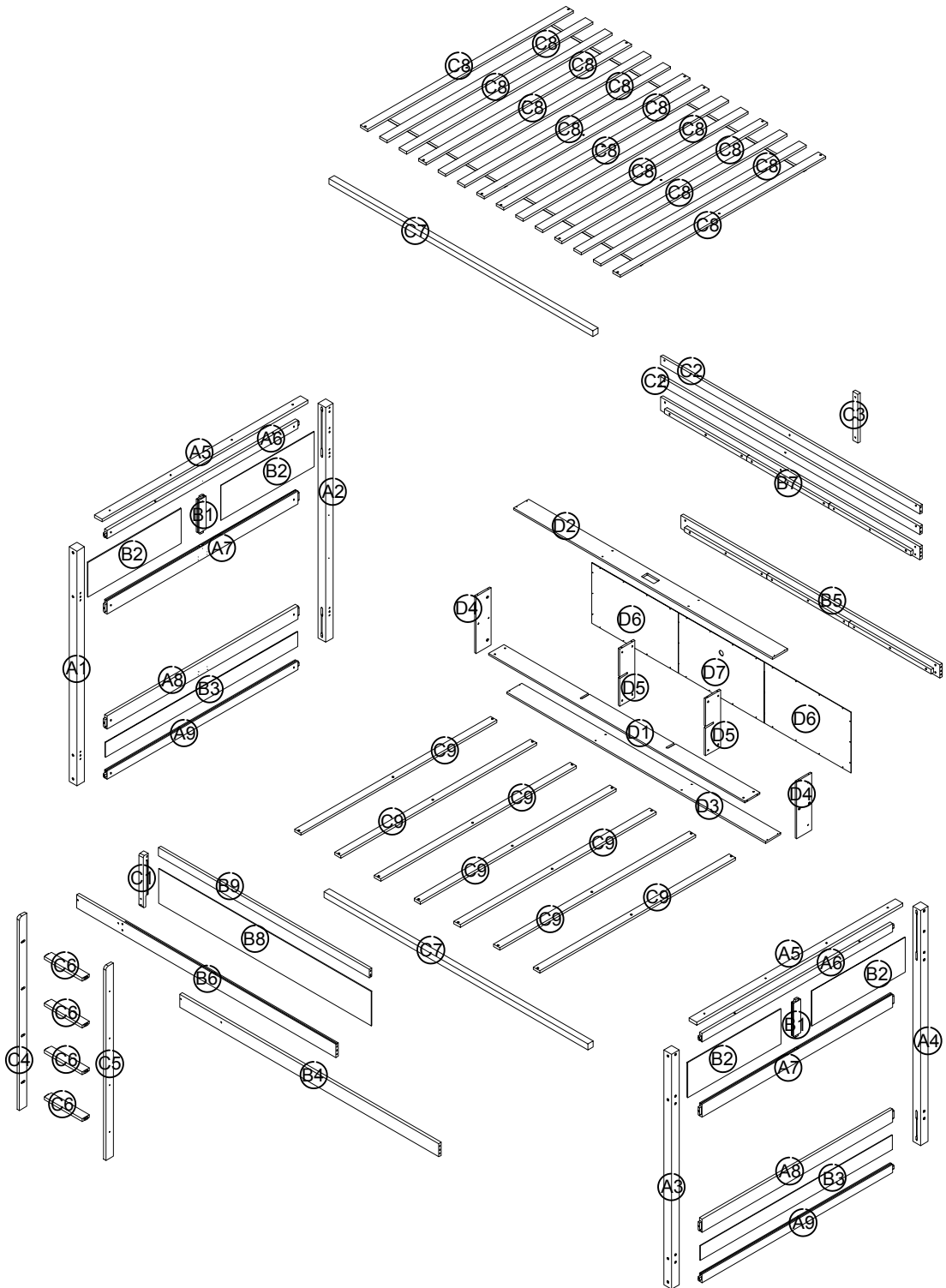
1. This bed is designed for use only mattress (es) meeting the following specifications on the upper bunk, and lower bunk

Upper bed Bed Type	Length	Width	Thickness
<i>Queen Standard</i>	80"	60"	6" max

Lower bed Bed Type	Length	Width	Thickness
<i>Queen Standard</i>	80"	60"	8"

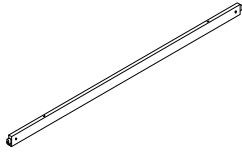
2. Replacement parts, including additional guardrails, maybe obtained from any of our dealers of GigaCloud Technology, USA/18961 ARENTH AVENUE,CITY OFINDUSTRY,CA,91748
3. Follow the information on the warnings appearing on the upper bunk bed end structure and on the carton. Do not remove warning label from bed
4. Always use the recommended size mattresses or mattress supports, or both, to help prevent the likelihood of entrapment or falls.
5. Surface of mattress must be at least 5" (127mm) below the upper edge of guardrails
6. Do not allow children under 6 years of age to use the upper bunk.
7. Periodically check and ensure that the guardrail, ladder, and other components are in their proper position, free from damage, and that all connectors are tight.
8. Do not allow horseplay on or under the bed and prohibit jumping on the bed.
9. Always use the ladder for entering and leaving the upper bunk.
10. Do not use substitute part. Contact the manufacture or dealer for replacement part
11. Use of a night light may provide added safety precaution for a child using the upper bunk..
12. Always use guardrails on both long sides of the upper bunk. If the bunk bed will be placed next to the wall, the guardrail that runs the full length of the bed should be placed against the wall to prevent entrapment between the bed and wall.
13. The use of water or sleep flotation mattresses is prohibited
14. STRANGULATION HAZARD - Never attach or hang items to any part of the bunk bed that are not designed for use with the bed; for example, but not limited to, hook, belts and jump ropes
15. Keep these instruction for future reference
16. Prohibit more than one person on upper bunk
17. We recommend assembling your bunk bed on the shipping carton to protect your floor or carpet
18. Be certain all staples are out of the box before beginning assembly on the shipping carton.

ASSEMBLY INSTRUCTION



Part List (Box 1)

A6



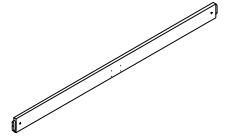
WoodBar-2pcs

A7



WoodBar-2pcs

A8



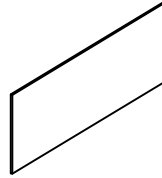
WoodBar-2pcs

A9



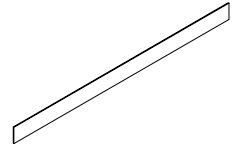
WoodBar-2pcs

B2



Panel-4pcs

B3



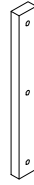
Panel-2pcs

C1



WoodBar-1pc

C3



WoodBar-1pc

C4



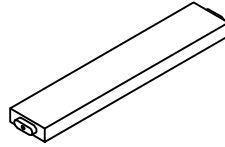
WoodBar-1pc

C5



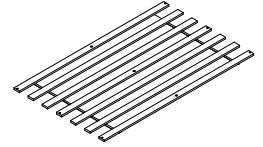
WoodBar-1pc

C6



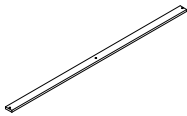
WoodBar-4pcs

C8



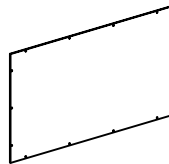
Slats-2set

C9



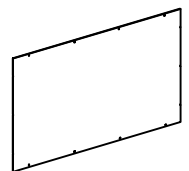
Slats-7pcs

D6







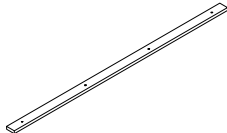

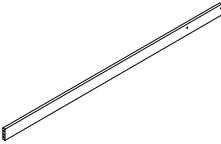
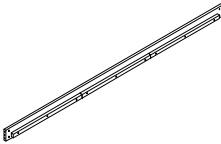
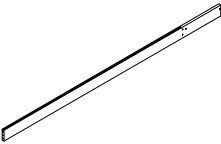
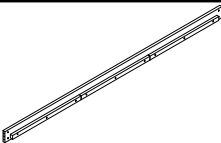
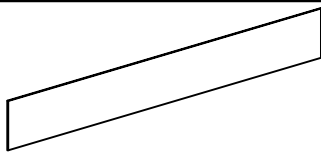
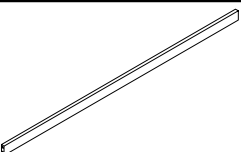
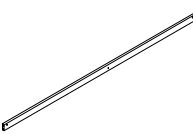
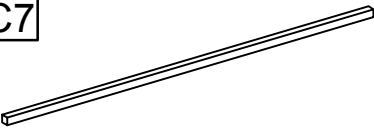
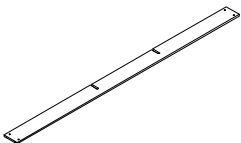
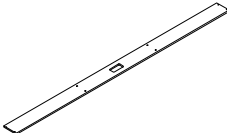
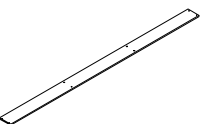
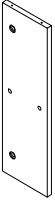
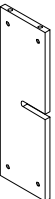
Panel-2pc

D7

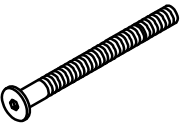






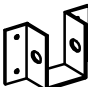



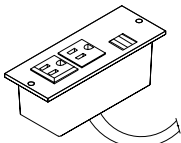





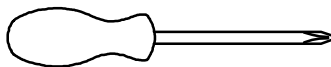
Panel-1pc

Part List (Box 2)

<p>A1</p>  <p>Leg-1pc</p>	<p>A2</p>  <p>Leg-1pc</p>	<p>A3</p>  <p>Leg-1pc</p>
<p>A4</p>  <p>Leg-1pc</p>	<p>A5</p>  <p>WoodBar-2pcs</p>	<p>B1</p>  <p>WoodBar-2pcs</p>
<p>B4</p>  <p>Side Rail-1pc</p>	<p>B5</p>  <p>Side Rail-1pc</p>	<p>B6</p>  <p>Side Rail-1pc</p>
<p>B7</p>  <p>Side Rail-1pc</p>	<p>B8</p>  <p>Panel-1pc</p>	<p>B9</p>  <p>WoodBar-1pc</p>
<p>C2</p>  <p>WoodBar-2pcs</p>	<p>C7</p>  <p>WoodBar-2pcs</p>	<p>D1</p>  <p>Panel-1pc</p>
<p>D2</p>  <p>Panel-1pc</p>	<p>D3</p>  <p>Panel-1pc</p>	<p>D4</p>  <p>Panel-2pcs</p>
	<p>D5</p>  <p>Panel-2pcs</p>	

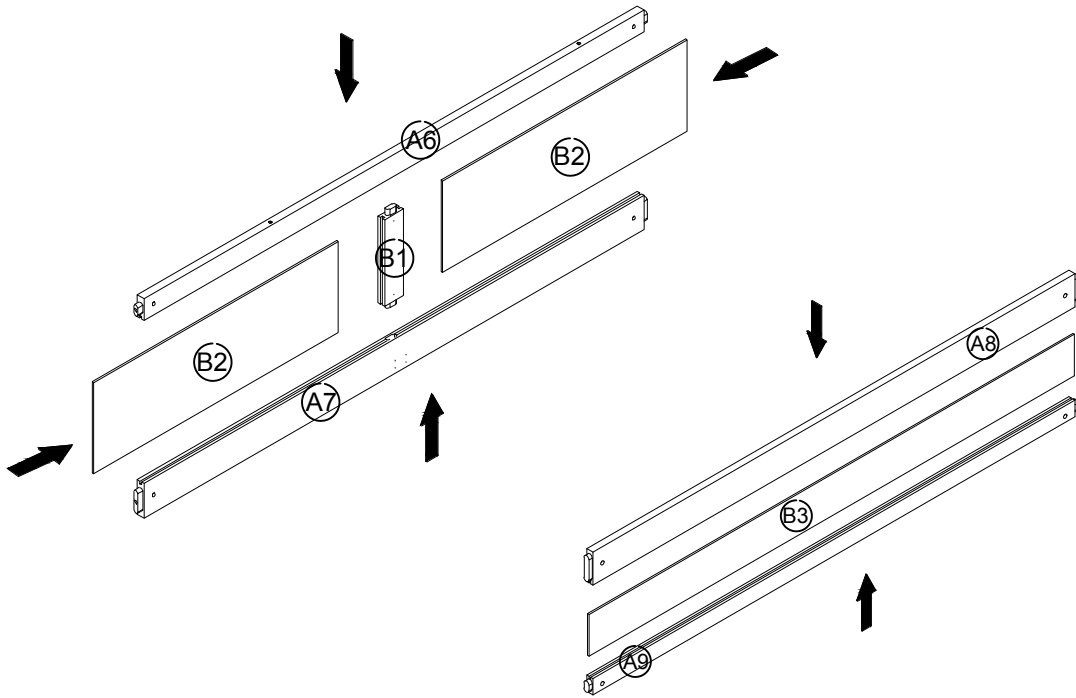
Hardware List (Box 1)

<p>1</p>  <p>Bolts Ø1/4" x 100 mm - 38pcs</p>	<p>2</p>  <p>Bolts Ø1/4" x 60 mm - 20pcs</p>	<p>3</p>  <p>Ø1/4" x 15 x 9.5mm Horizontal-Hole bolts - 58pcs</p>
<p>4</p>  <p>Screws 1/4" x 60mm - 8pcs</p>	<p>5</p>  <p>Bolts Ø1/4" x 35 mm - 13pcs</p>	<p>6</p>  <p>Bolts Ø1/4" x 55 mm - 4pcs</p>
<p>7</p>  <p>Bolts Ø1/4" - 4pcs</p>	<p>8</p>  <p>Steel Bracket - 4pcs</p>	<p>9</p>  <p>Wood Screws M4 x15mm- 16pcs</p>
<p>10</p>  <p>Wood dowel Ø8 x 30 mm - 18pcs</p>	<p>11</p>  <p>Wood Screws M4 x30mm- 39pcs</p>	<p>12</p>  <p>USB - 1pc</p>
<p>13</p>  <p>Wood Screws M3 x15mm- 2pcs</p>	<p>14</p>  <p>Wood Screws M3 x15mm- 30pcs</p>	<p>14</p>  <p>Allen Key 1pc</p>

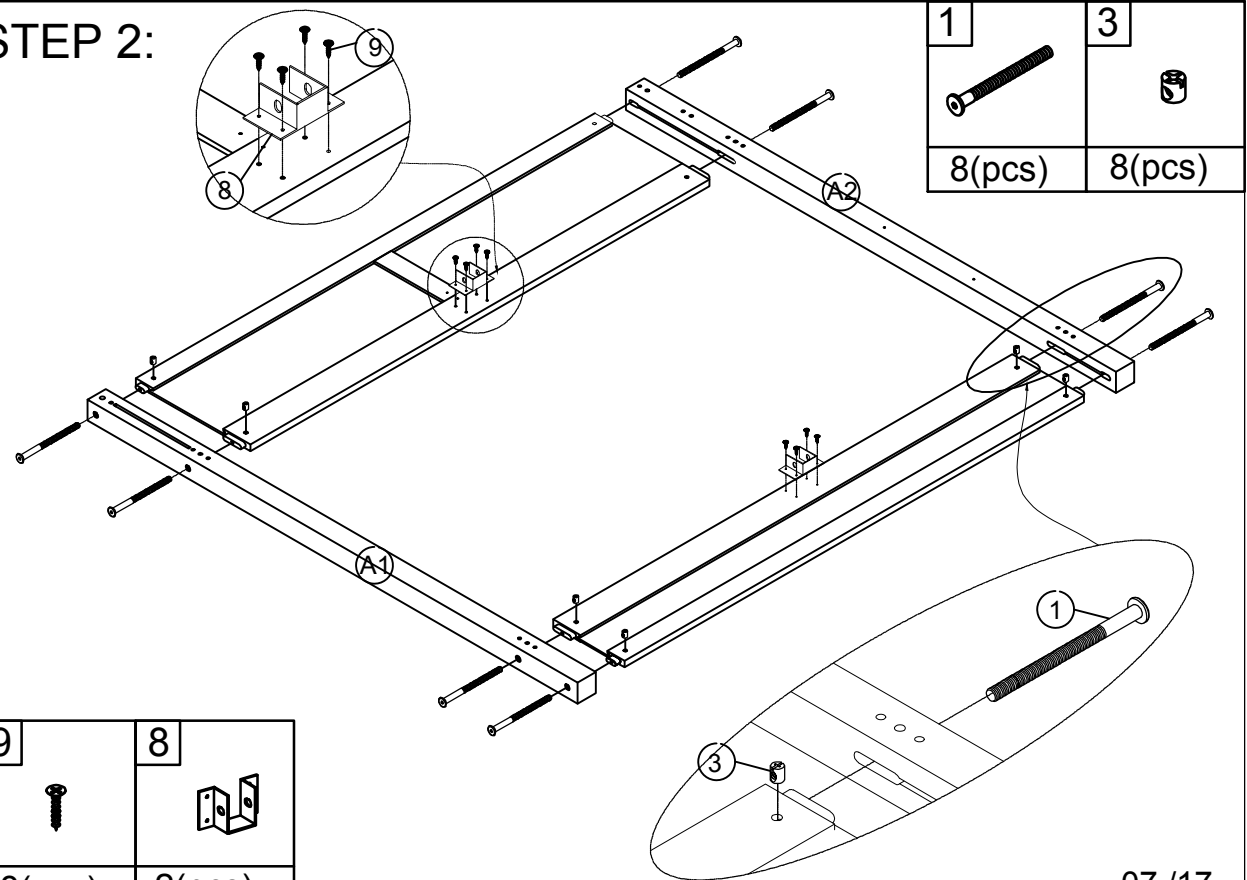


Assembly Tools Required (Not Included)
Outils d'assemblage requis (Non Inclus)

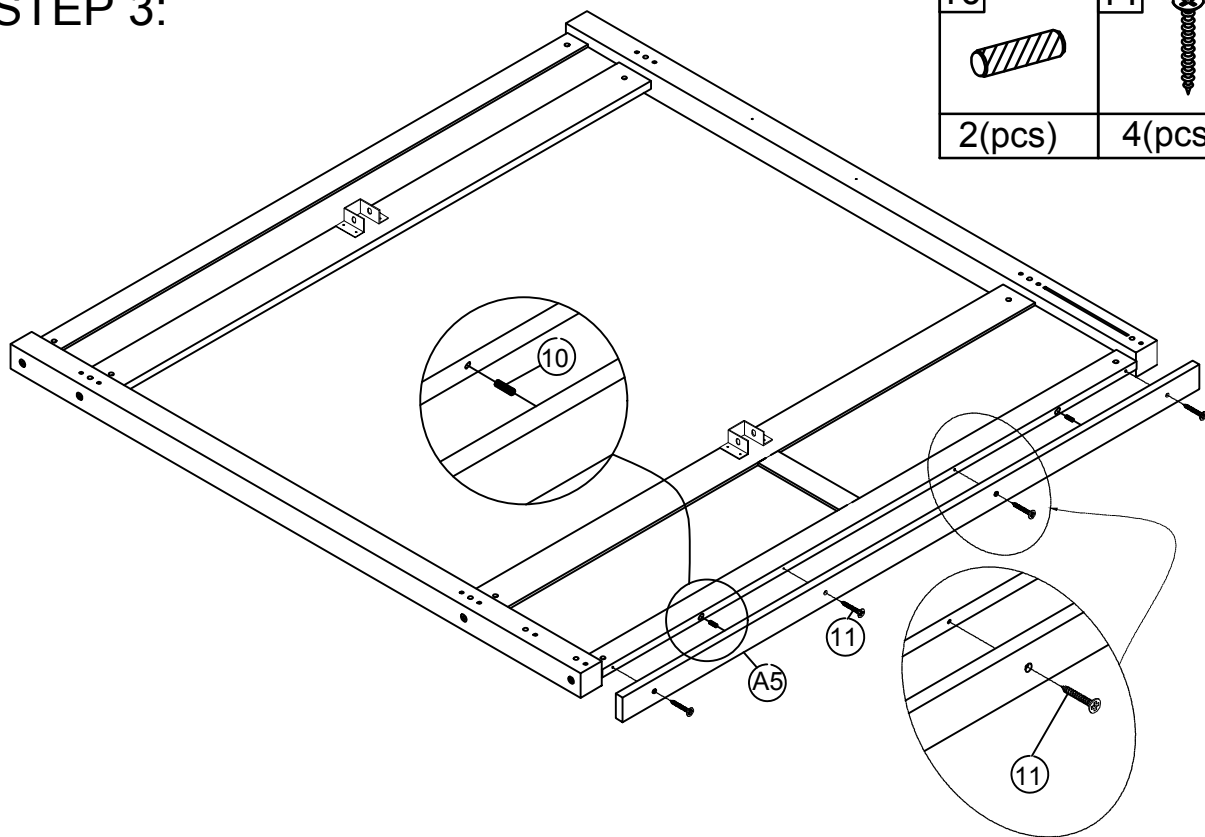
STEP 1:



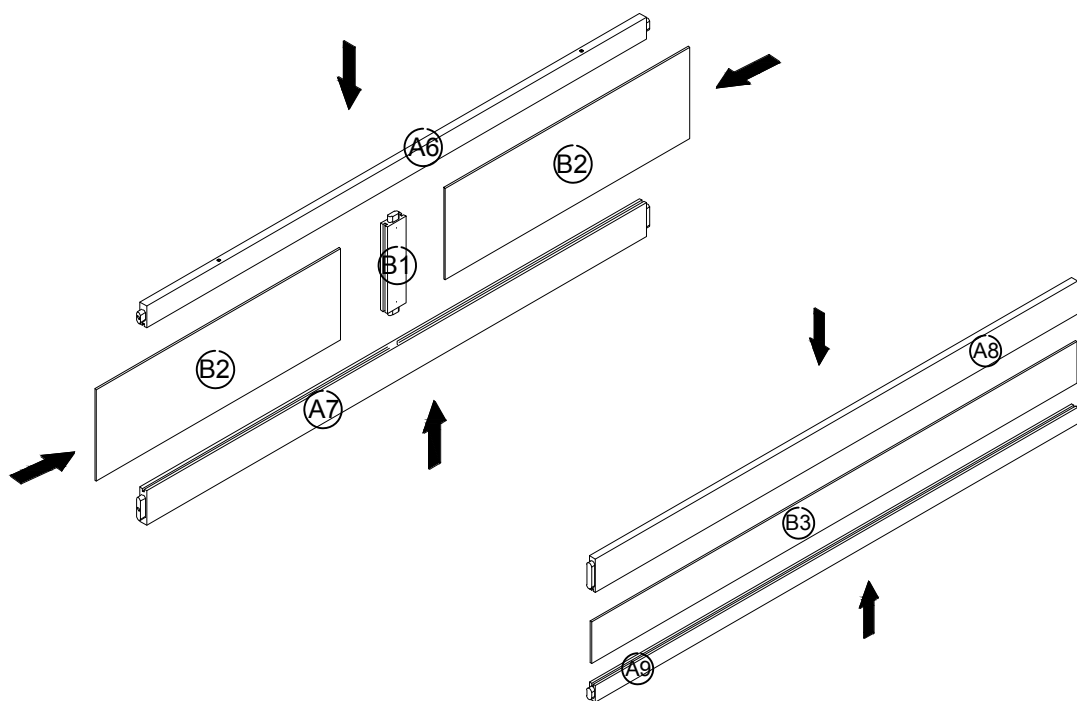
STEP 2:



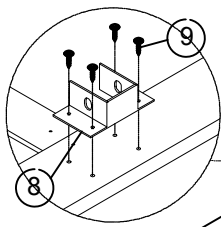
STEP 3:



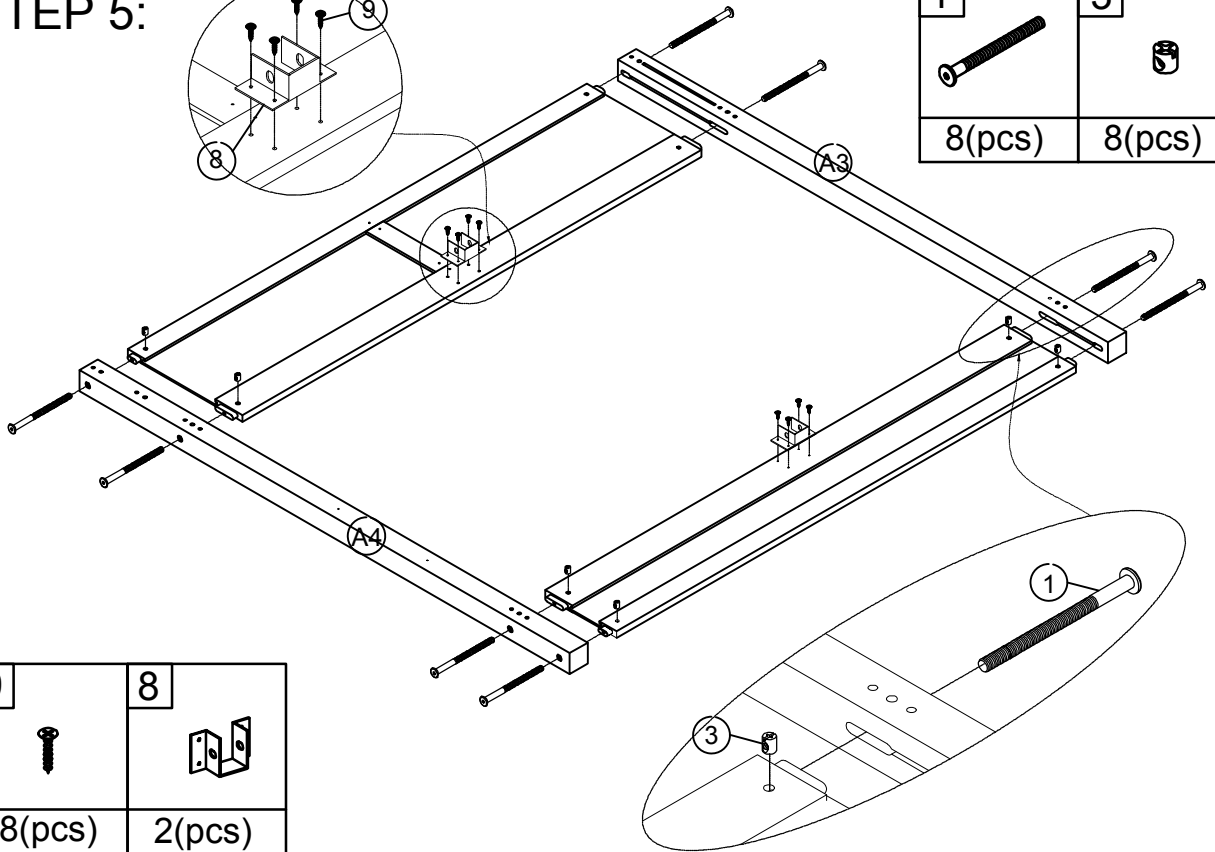
STEP 4:



STEP 5:



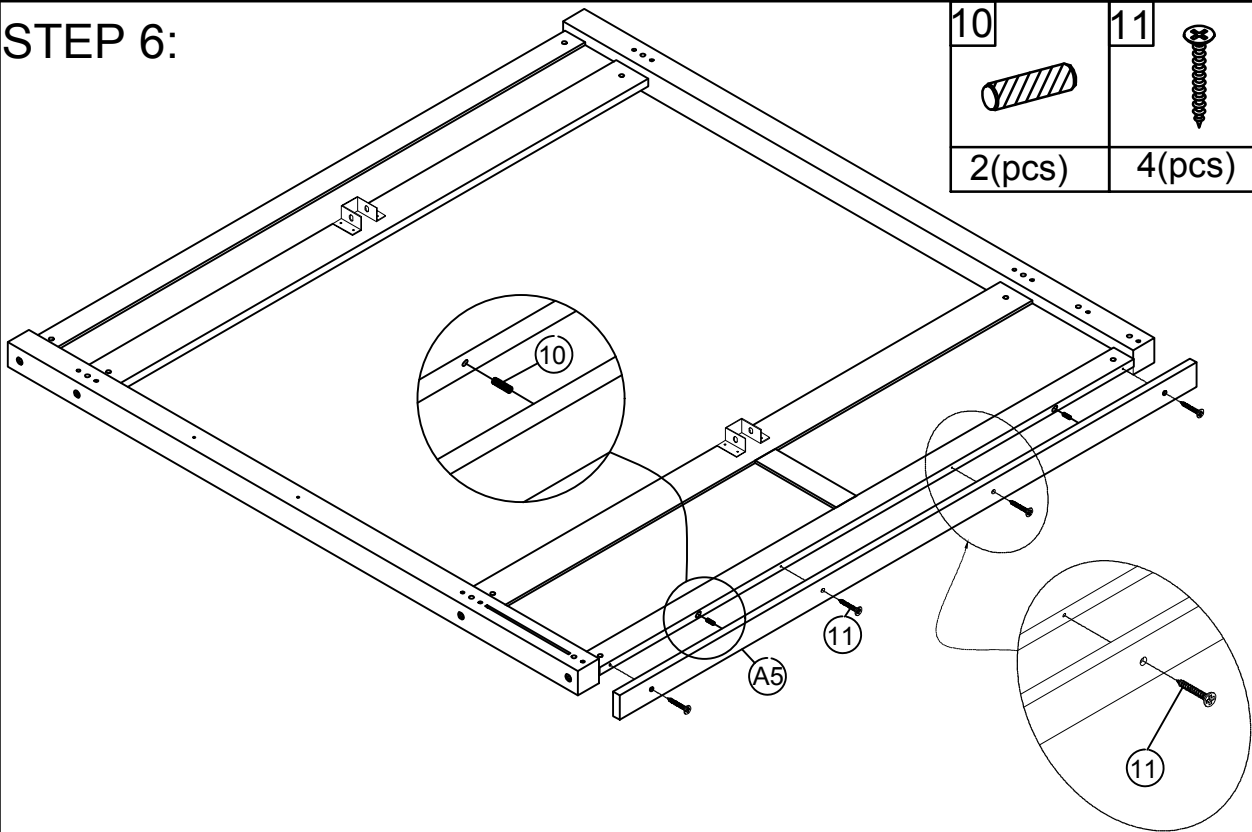
1	3
8(pcs)	8(pcs)



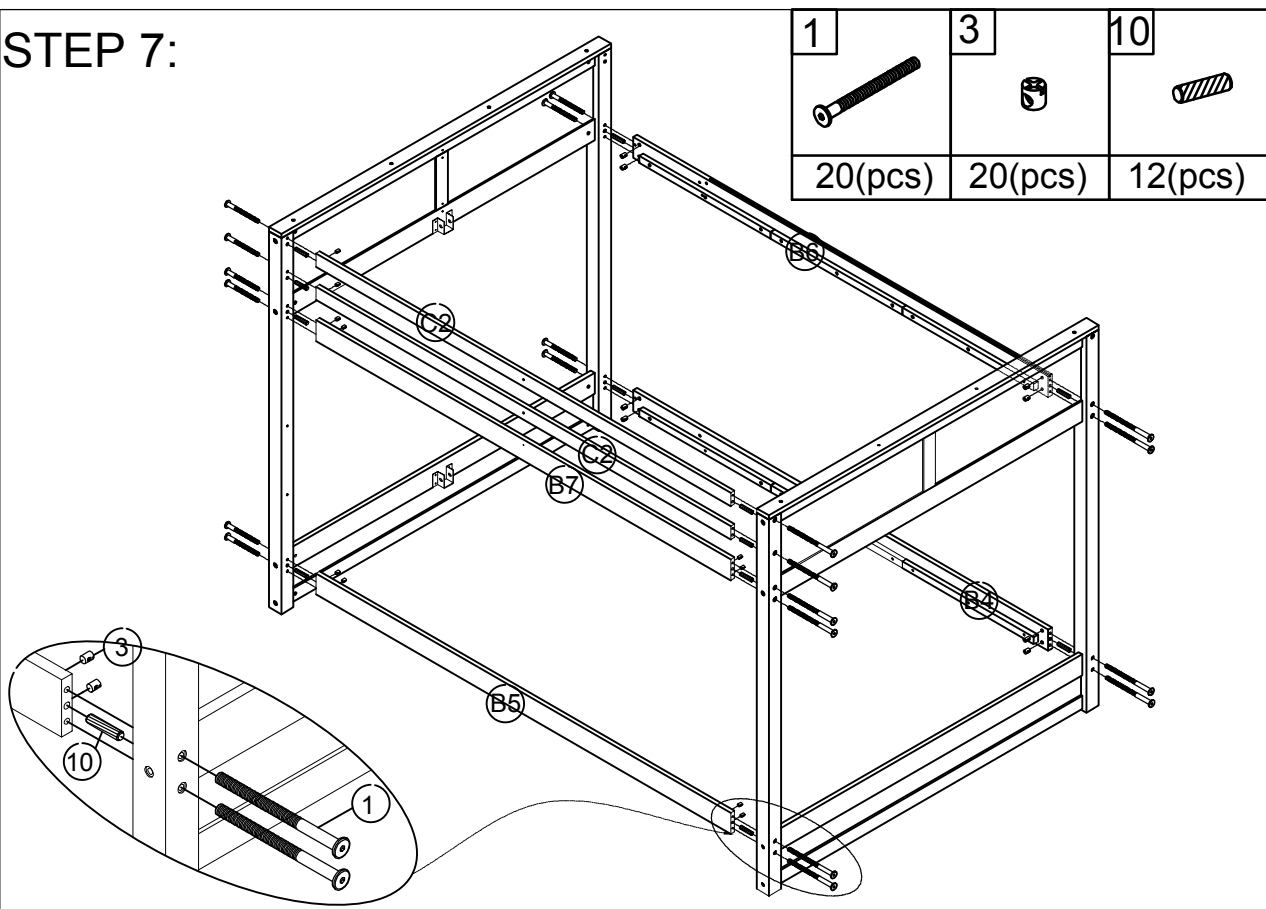
9	8
8(pcs)	2(pcs)

STEP 6:

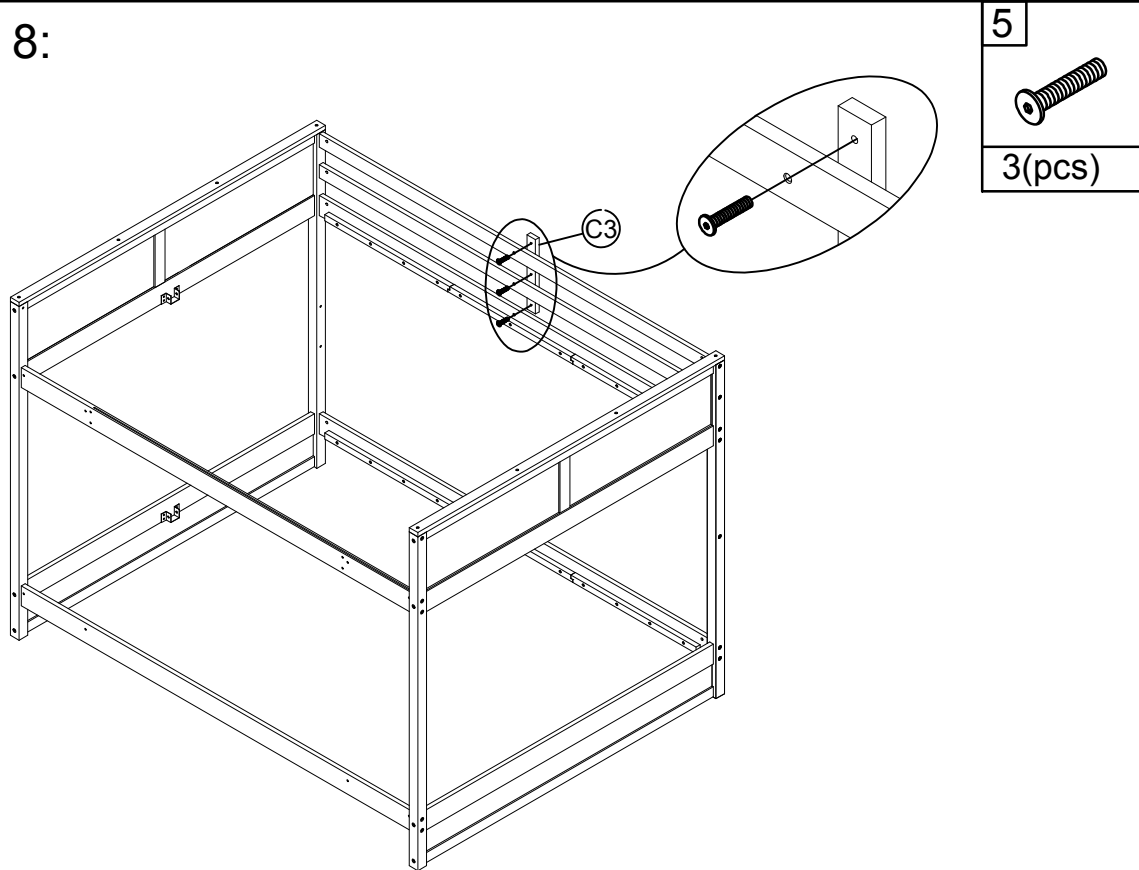
10	11
2(pcs)	4(pcs)



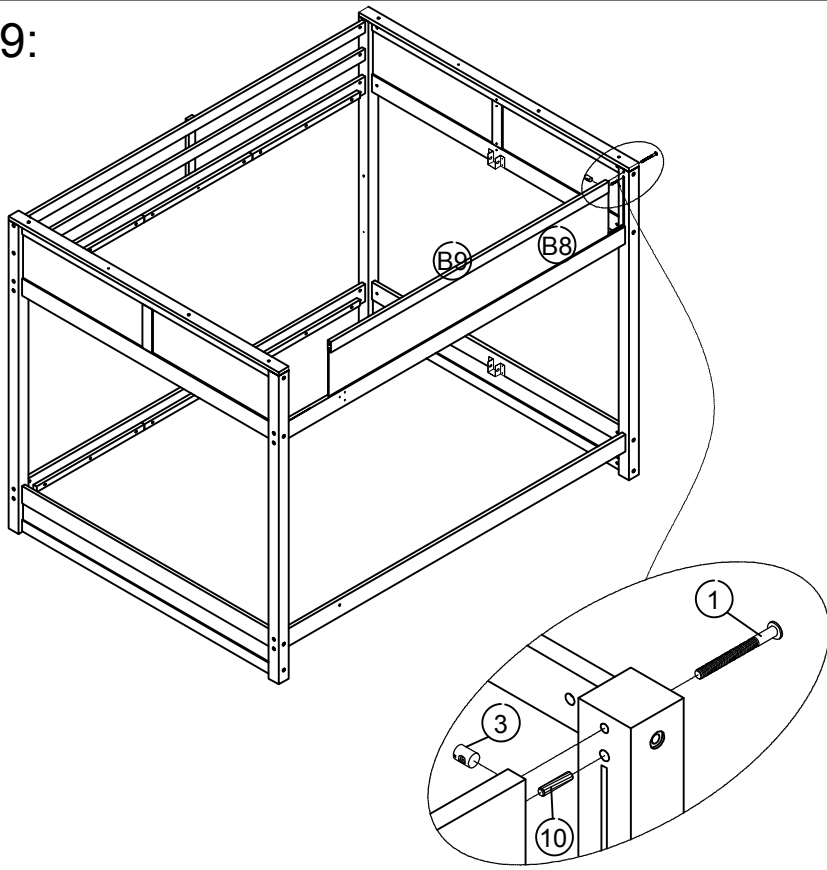
STEP 7:






STEP 8:

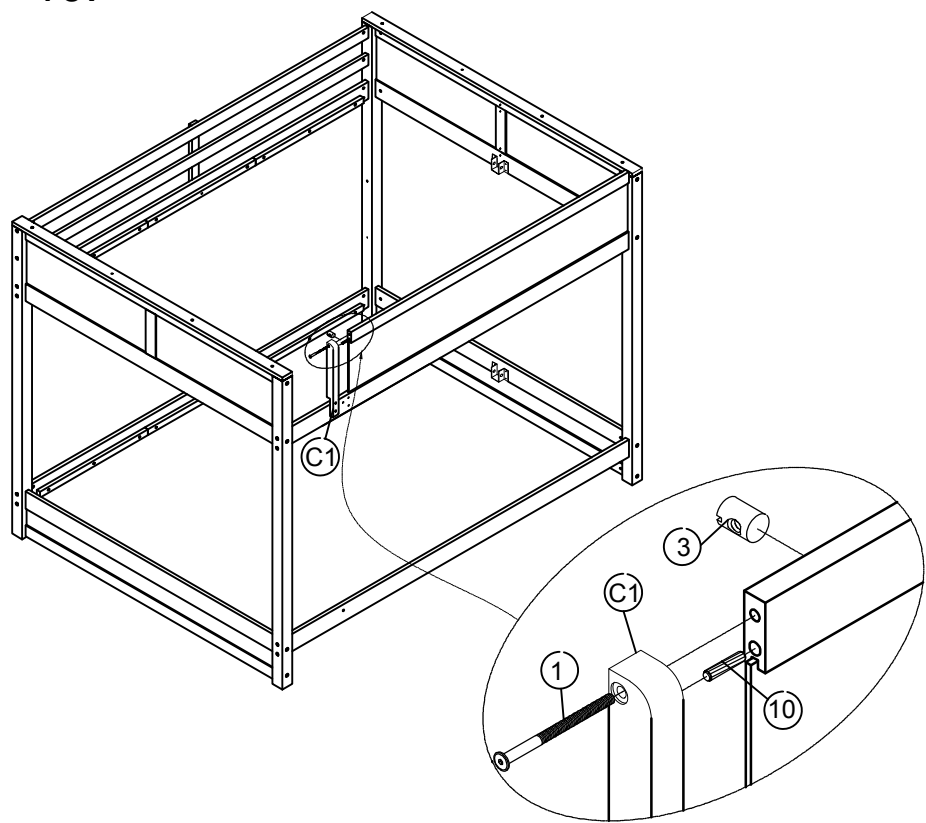





STEP 9:




- 1

1(pc)
- 3

1(pc)
- 10

1(pc)

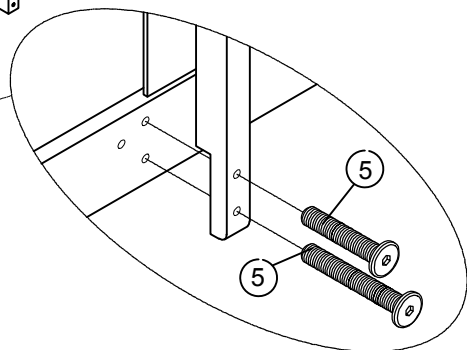
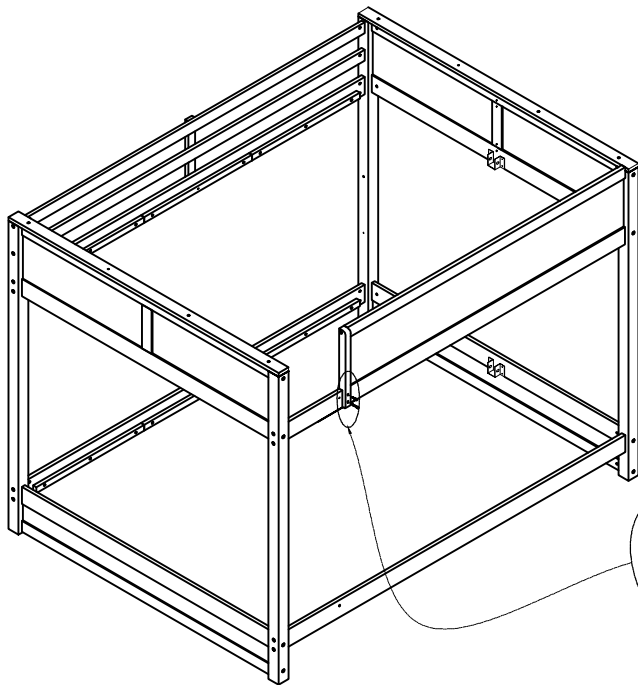
STEP 10:





- 3

1(pc)
- 10

1(pc)
- 1

1(pc)

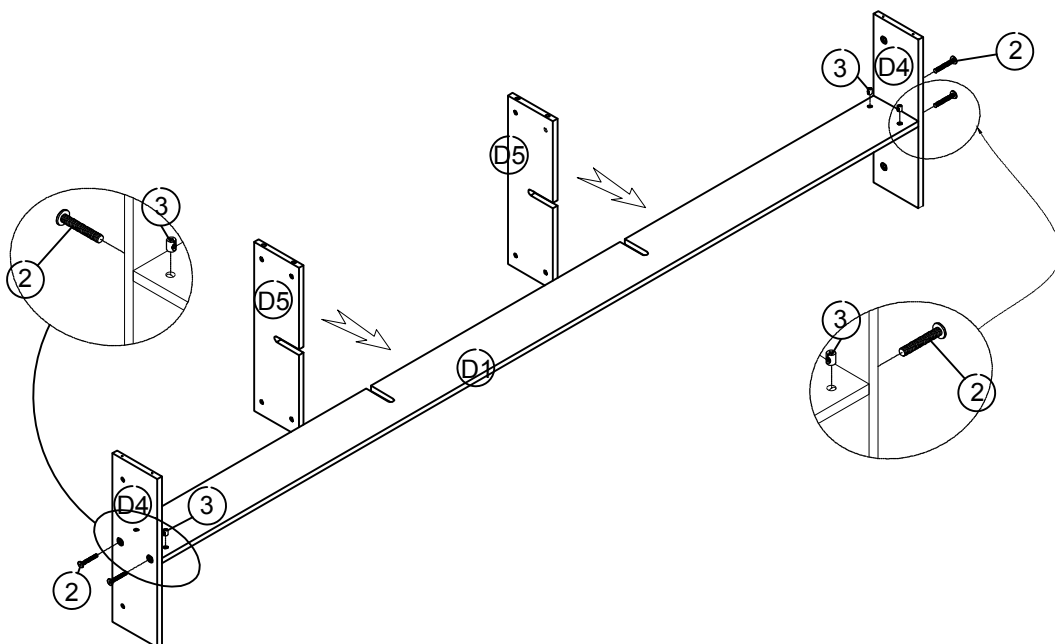
STEP 11:

5	
2(pcs)	

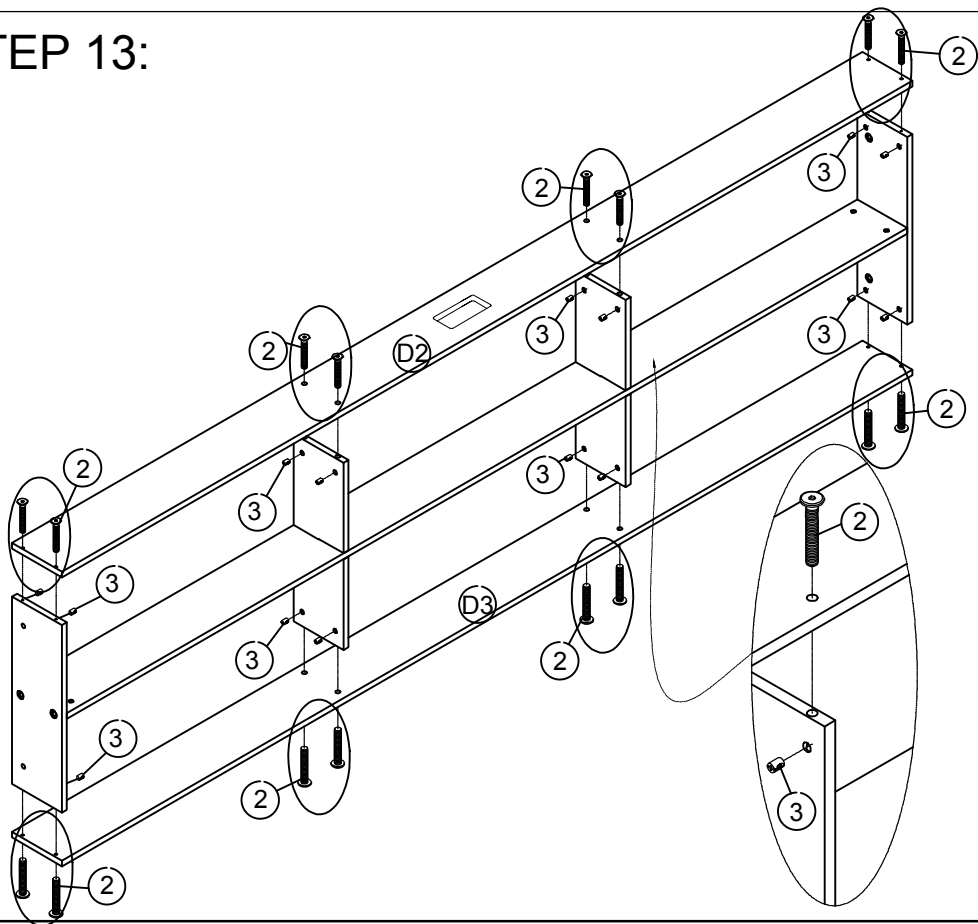




STEP 12:

2		3	
4(pcs)		4(pcs)	

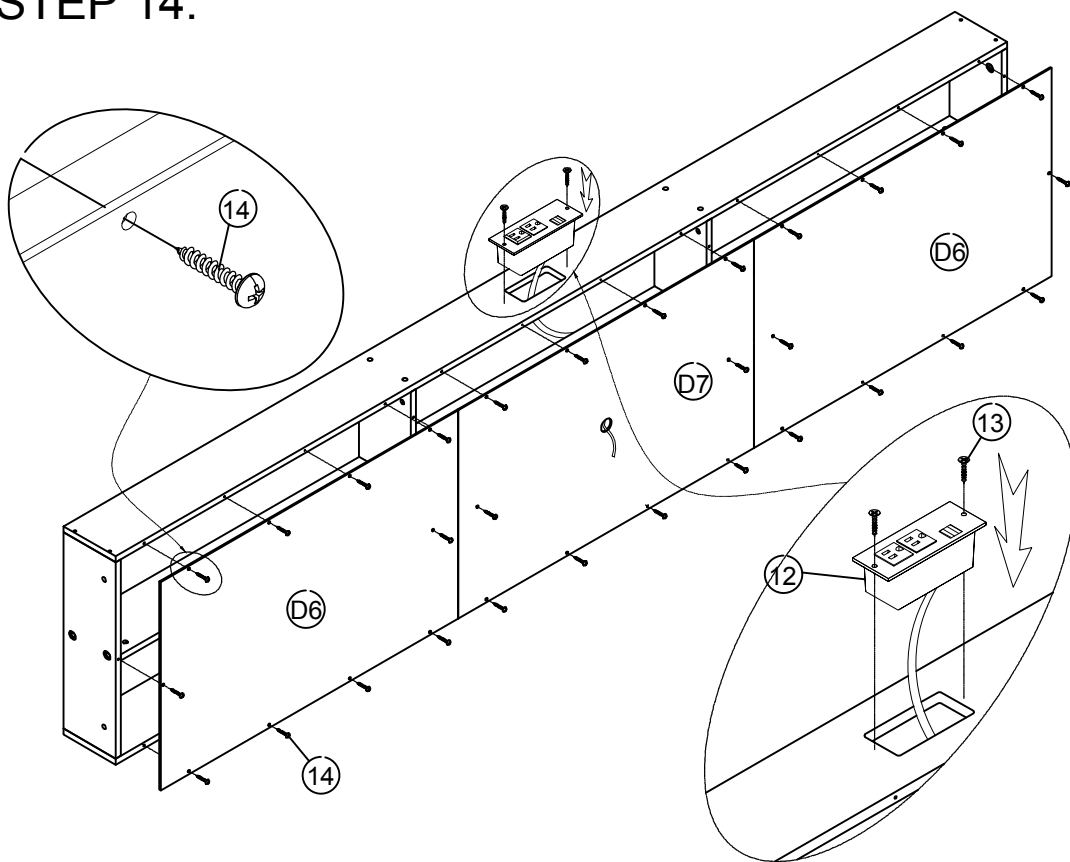




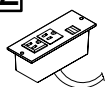
STEP 13:



3	
16(pcs)	
2	
16(pcs)	

STEP 14:



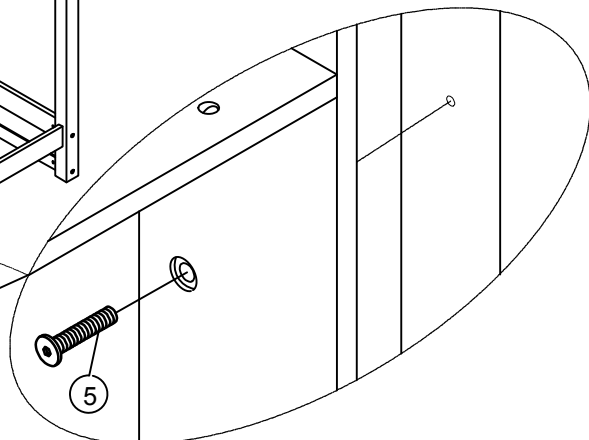
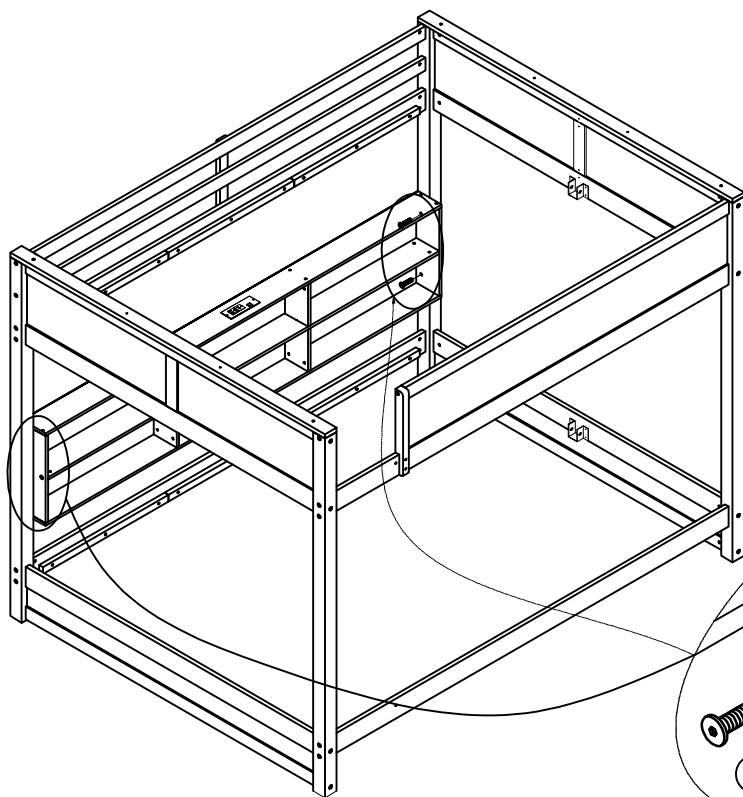
14	
30(pcs)	
13	
2(pcs)	
12	
1(pc)	

STEP 15:

5



4(pcs)

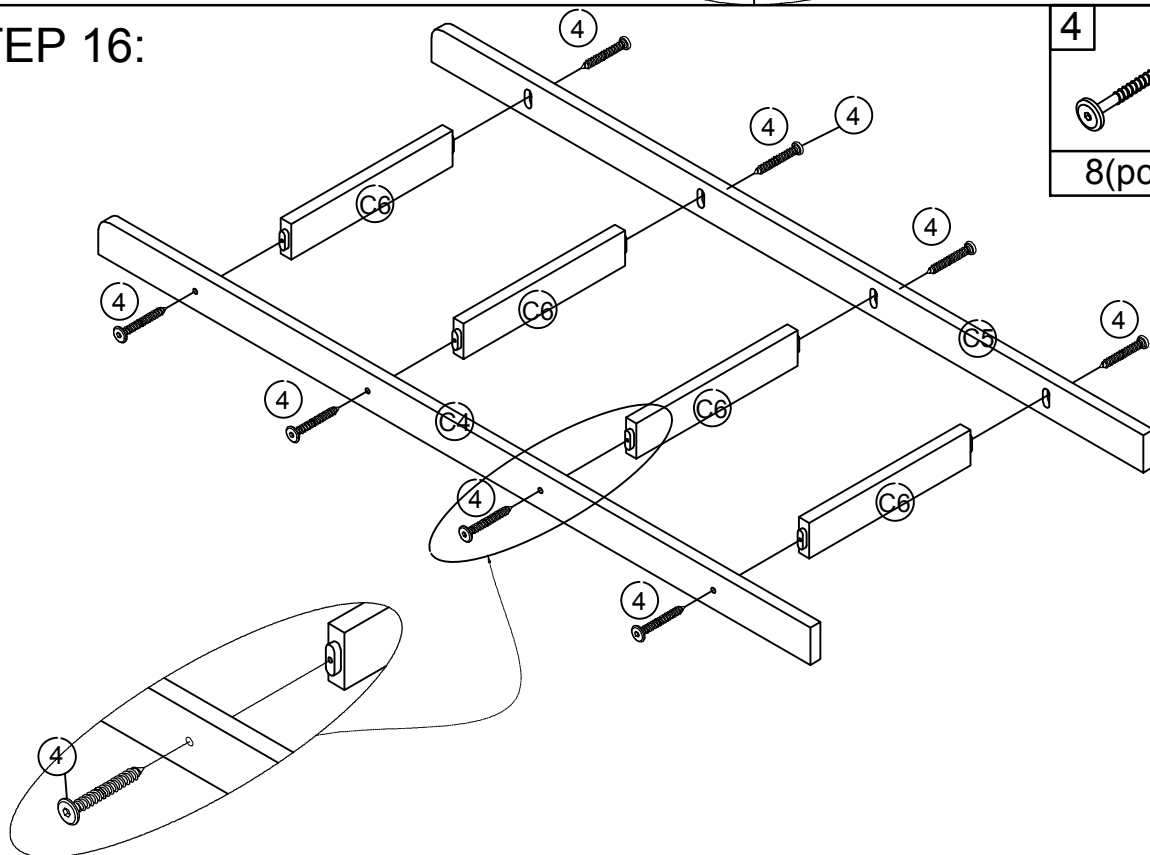


STEP 16:

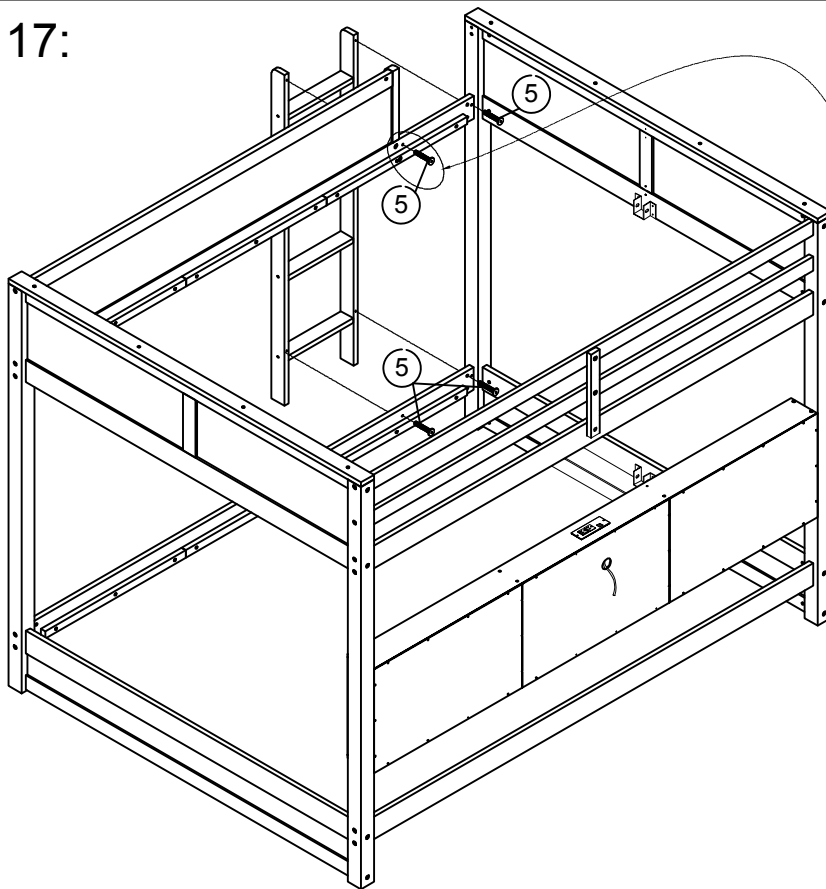
4




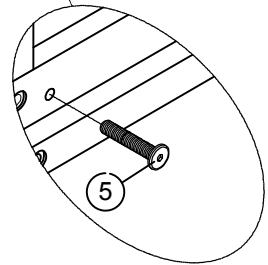
8(pcs)



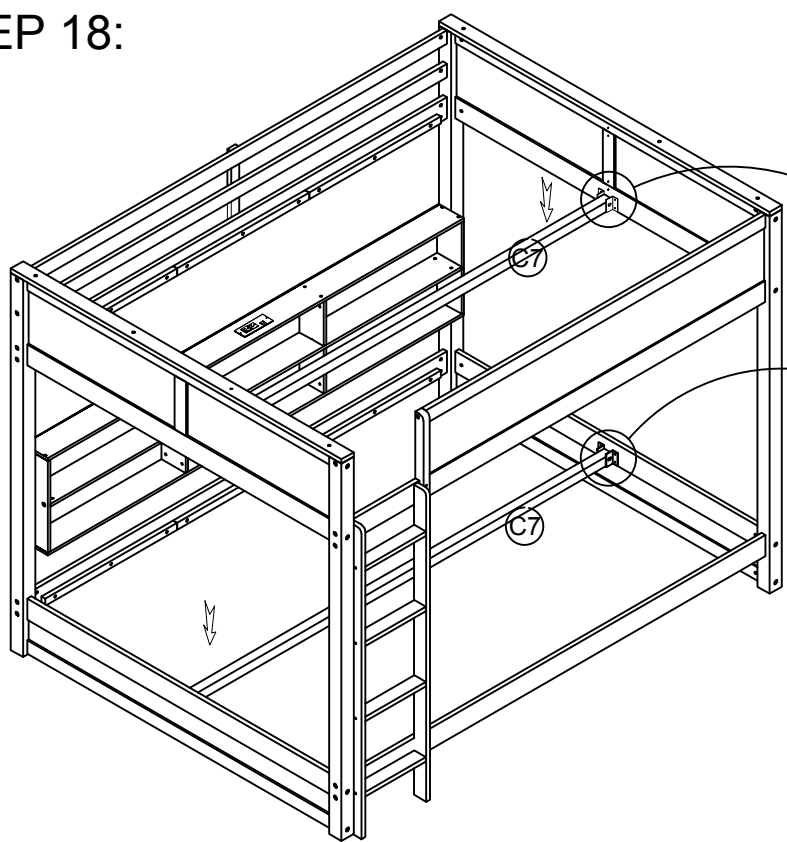
STEP 17:

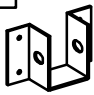




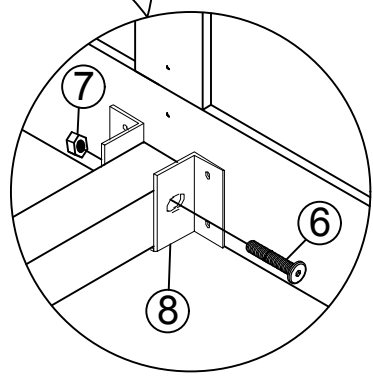
5

4(pcs)



STEP 18:



8	7
	
4(pcs)	4(pcs)
6	
	
4(pcs)	

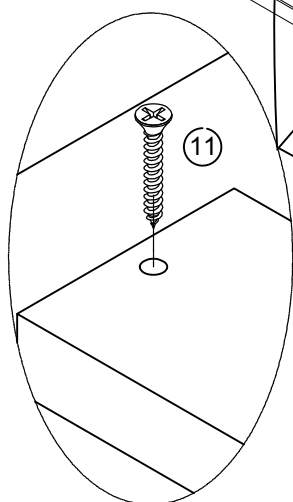
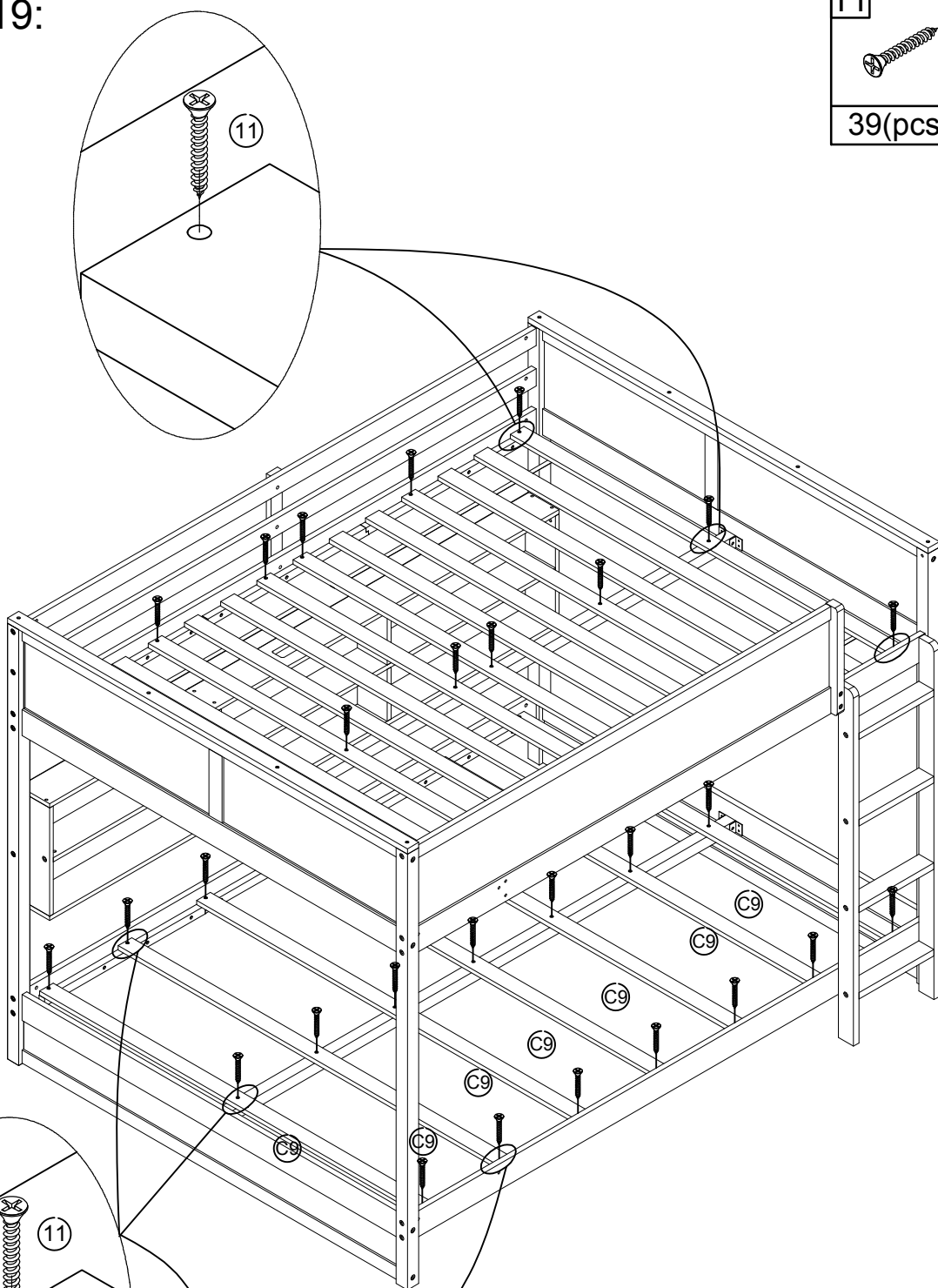


STEP 19:

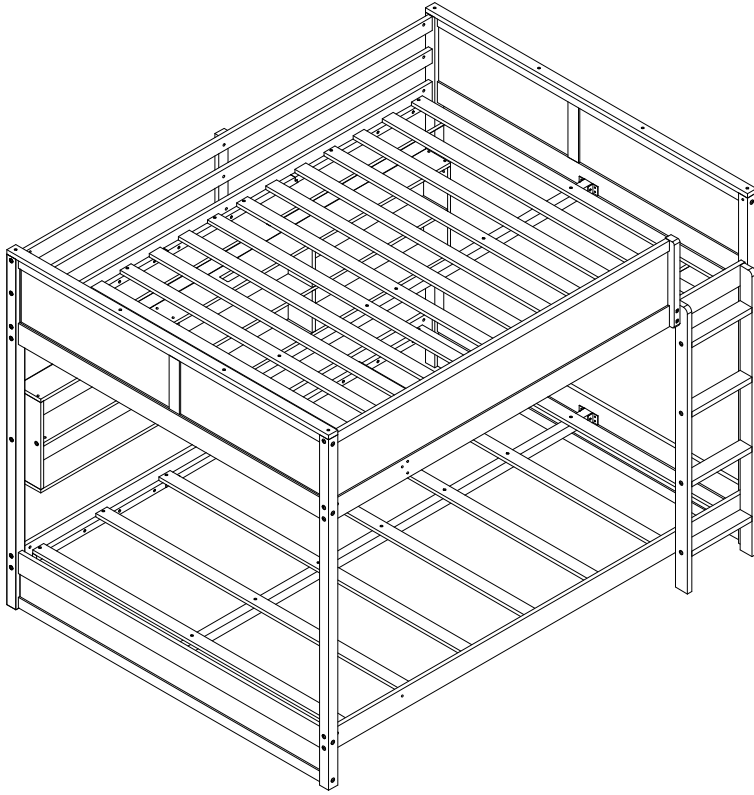
11



39(pcs)



FINISH: 1



FINISH: 2

