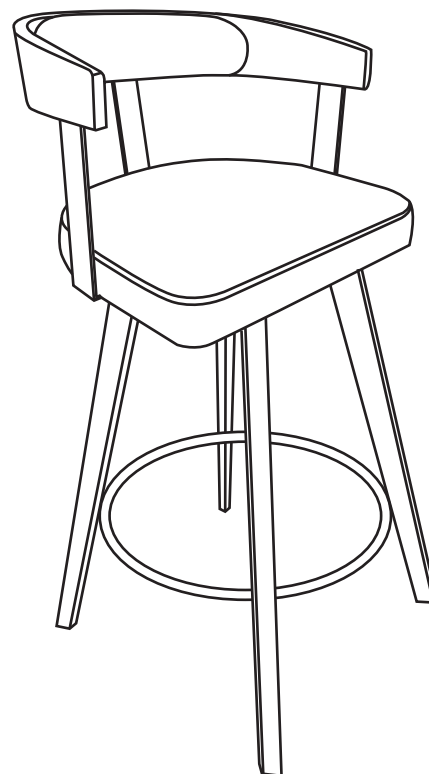
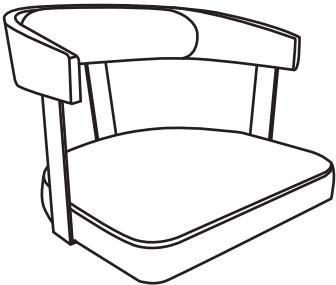
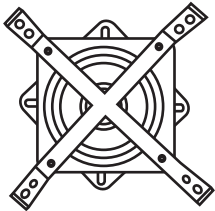
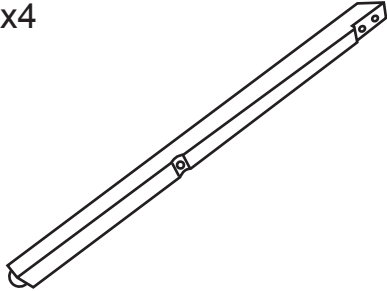
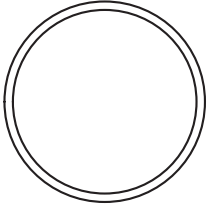
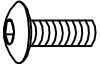
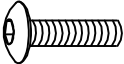
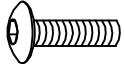


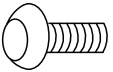


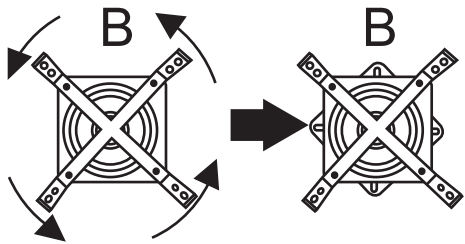
**ITEM NO.: 8526B**



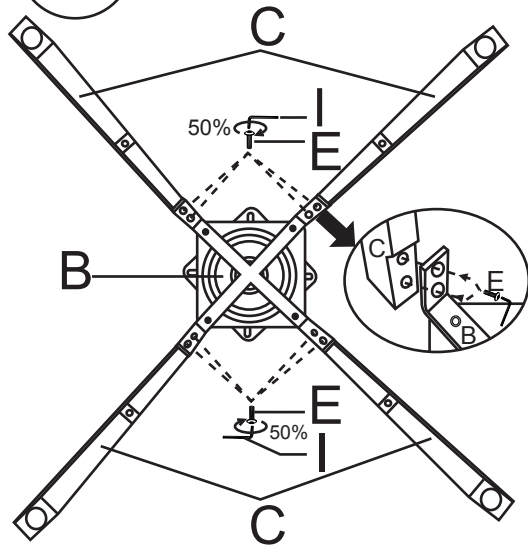
Ax1 	Bx1 	Cx4 	Dx1 		
Ex10+1Ext  M6X20mm	Fx4+1Ext  M6X30mm	Gx2+1Ext  M6X25mm	Hx2+1Ext  Rubber Washer	Ix1  M6	J*1  SPARE FOOT NAIL

**ITEM NO.: 8526B**

**1**

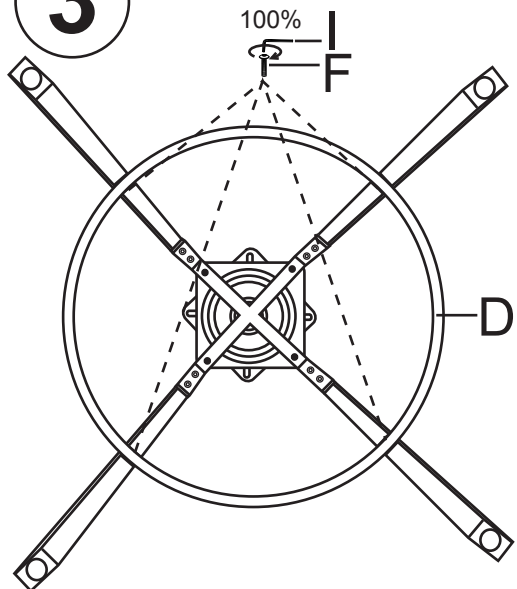


**2**



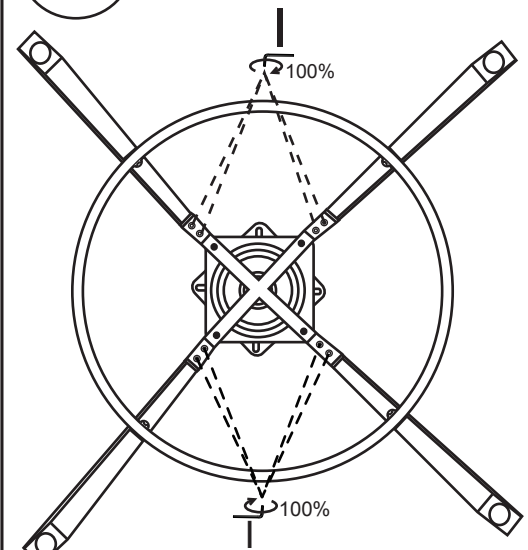
Note: DO NOT fix the screws(E) in step 2

**3**



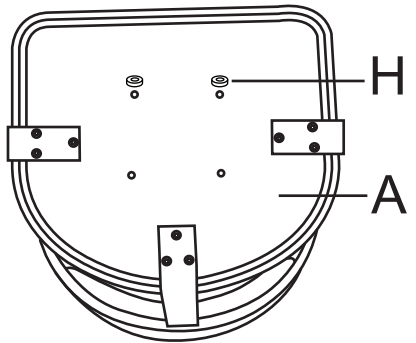
Note: Fix the screws(F) in step 3

**4**

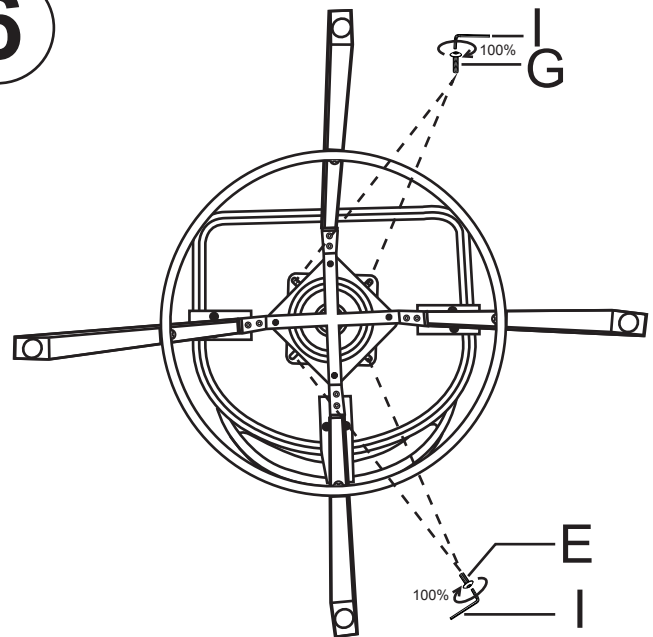


Note: Fix the screws(E) in step 4

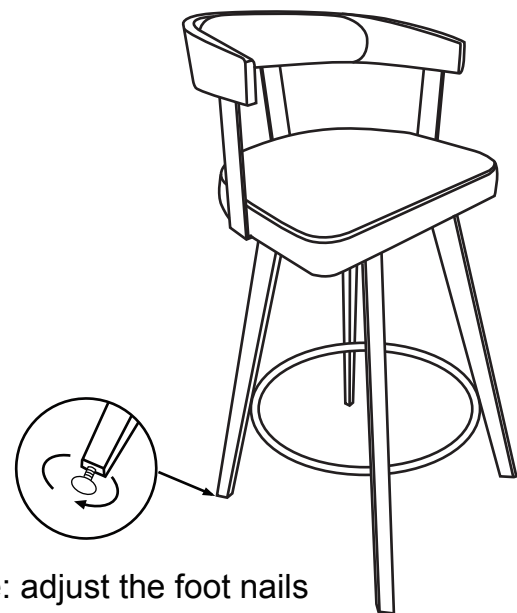
**5**



**6**



**7**



Note: adjust the foot nails to make the chair balance.