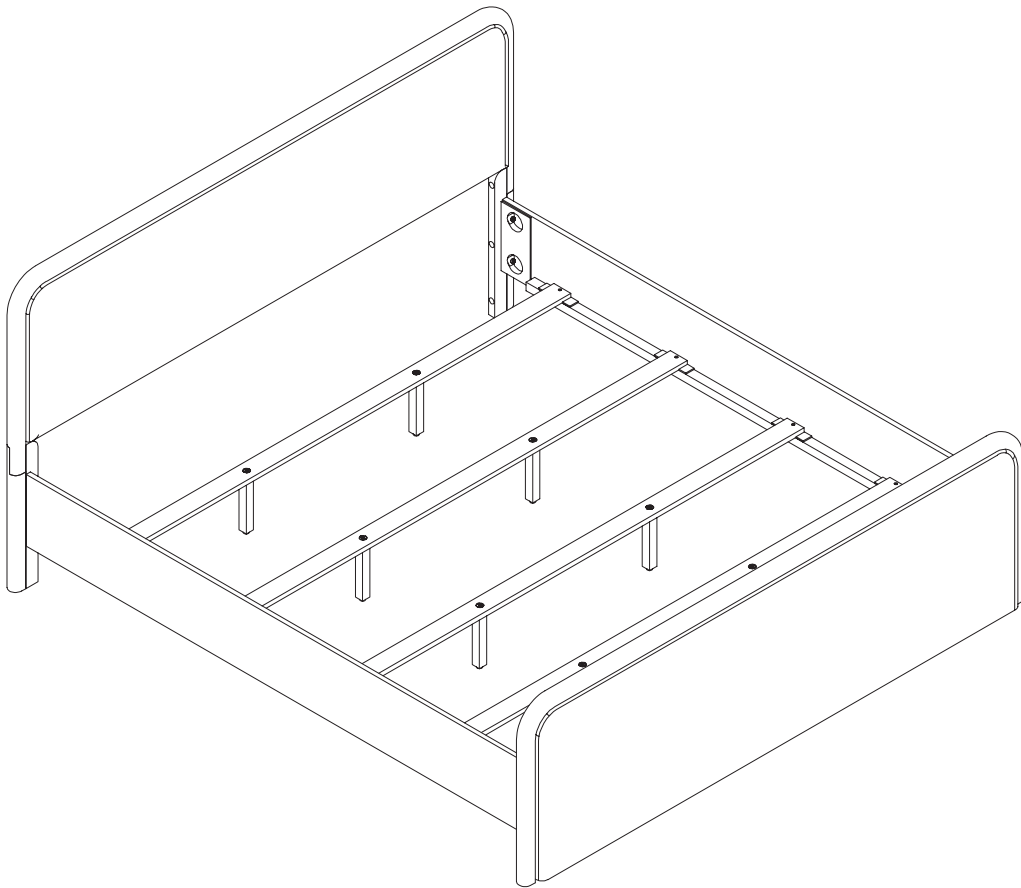


Let's build the

Turner - King Bed

SKU 990 - F - K

99012 + 98000



Scan me!

Free Lifetime
Guarantee

 **nathan james**

26-0109-VN

Ok, let's get rolling

This should be easy, just follow our instructions and you will be back to Netflix in no time.

Estimated time for assembly



45:00

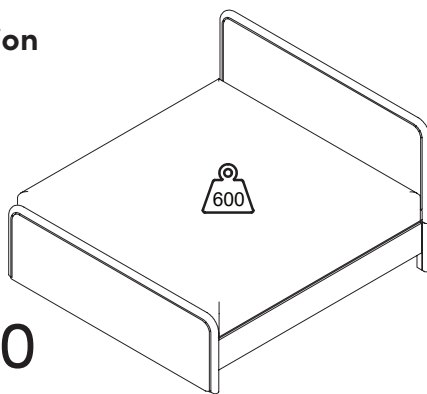
What you need

- Some of your favorite bubbly or your preferred relaxant
- Use the packaging carton as a working surface to prevent product damage during assembly
- Phillips-head screwdriver

Weight Limitation



600
lbs



Toll-free at 1-866-619-1004
Help@nathanjames.com
Nathanjames.com/help

What's included

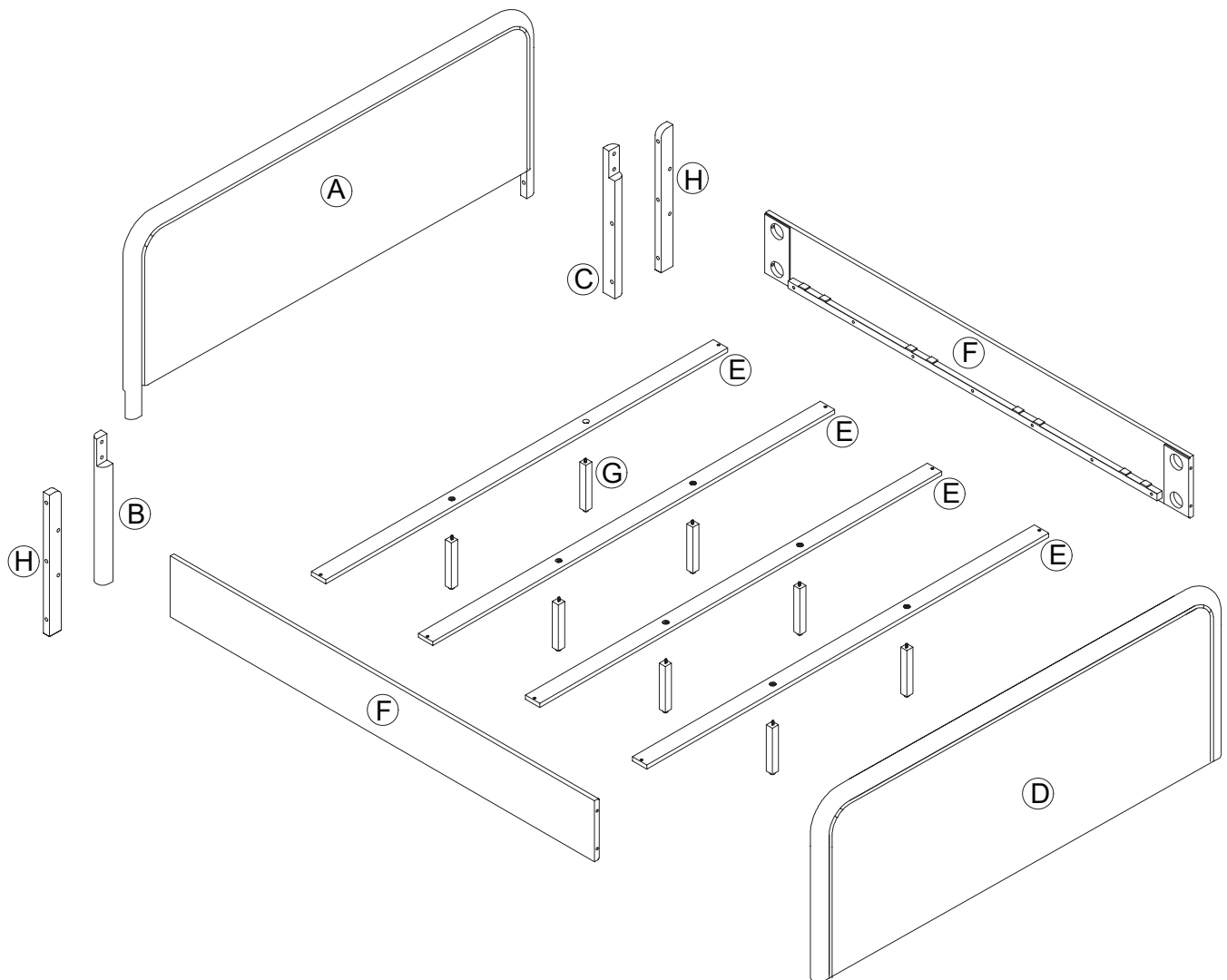
Description	Qty
A Headboard Panel	1
B Headboard Leg (Left)	1
C Headboard Leg (Right)	1
D Footboard	1
E Slats	4
F Side Rail	2
G Support Legs	8
H Wooden Mounting Plate	2

Scan me!

Free Lifetime
Guarantee



The goods



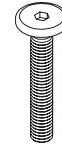
IMPORTANT

1. Do not tighten bolts / screws completely until all bolts / screws are lined up and inserted into holes.
2. Do not over-tighten screws and bolts to avoid stripping.
3. Please use hand tools to assemble this product.

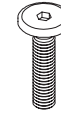
What's included

	Description	Qty
1	Ø5/16" x 57mm Hex Button Head Bolt	6
2	Ø5/16" x 38mm Hex Button Head Bolt	4
3	Ø5/16" x 13mm Spring Washer	18
4	Ø5/16" x 19mm Flat Washer	10
5	Ø5/16" x 90mm Threaded Rod	8
6	Curved Washer	8
7	Nut	8
8	Allen Key	1
9	Wrench	1
10	M4 x 30mm Screw	8
11	Leveler (Extra 2pcs)	2
12	Plastic Nailhead Footpad (Extra 2pcs)	2

1



2



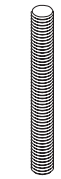
3



4



5



6



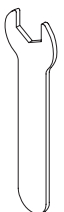
7



8



9



10



11



12



Step 1

Let's get this thing fired up!

Install the Headboard Leg (Right) (C) and Headboard Leg (Left) (B) to the Headboard Panel (A) using the Hex Button Head Bolt (2), Spring Washer (3), and Flat Washer (4). Then, tighten with the Allen Key (8).

2

3

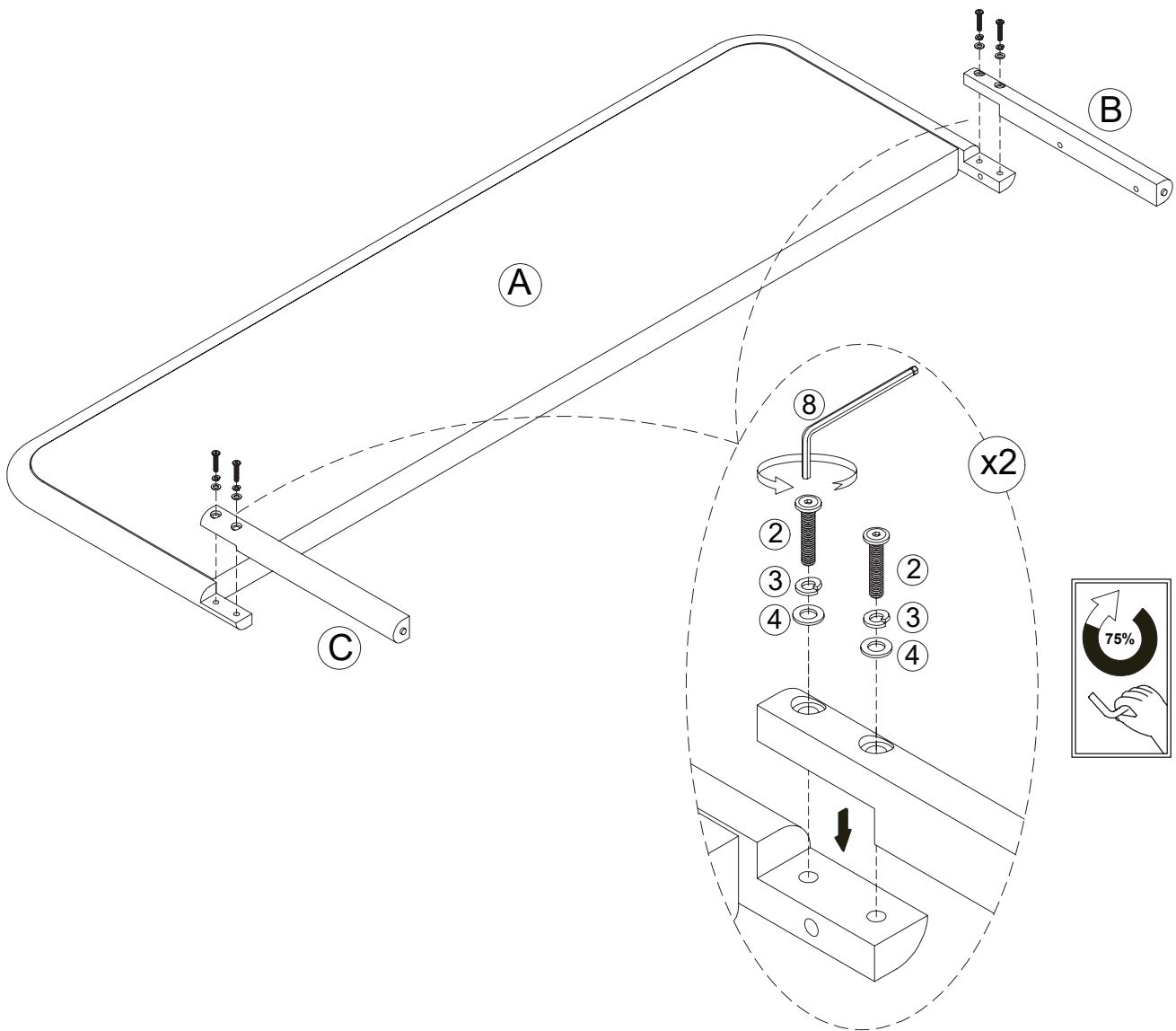
4



x 4pcs

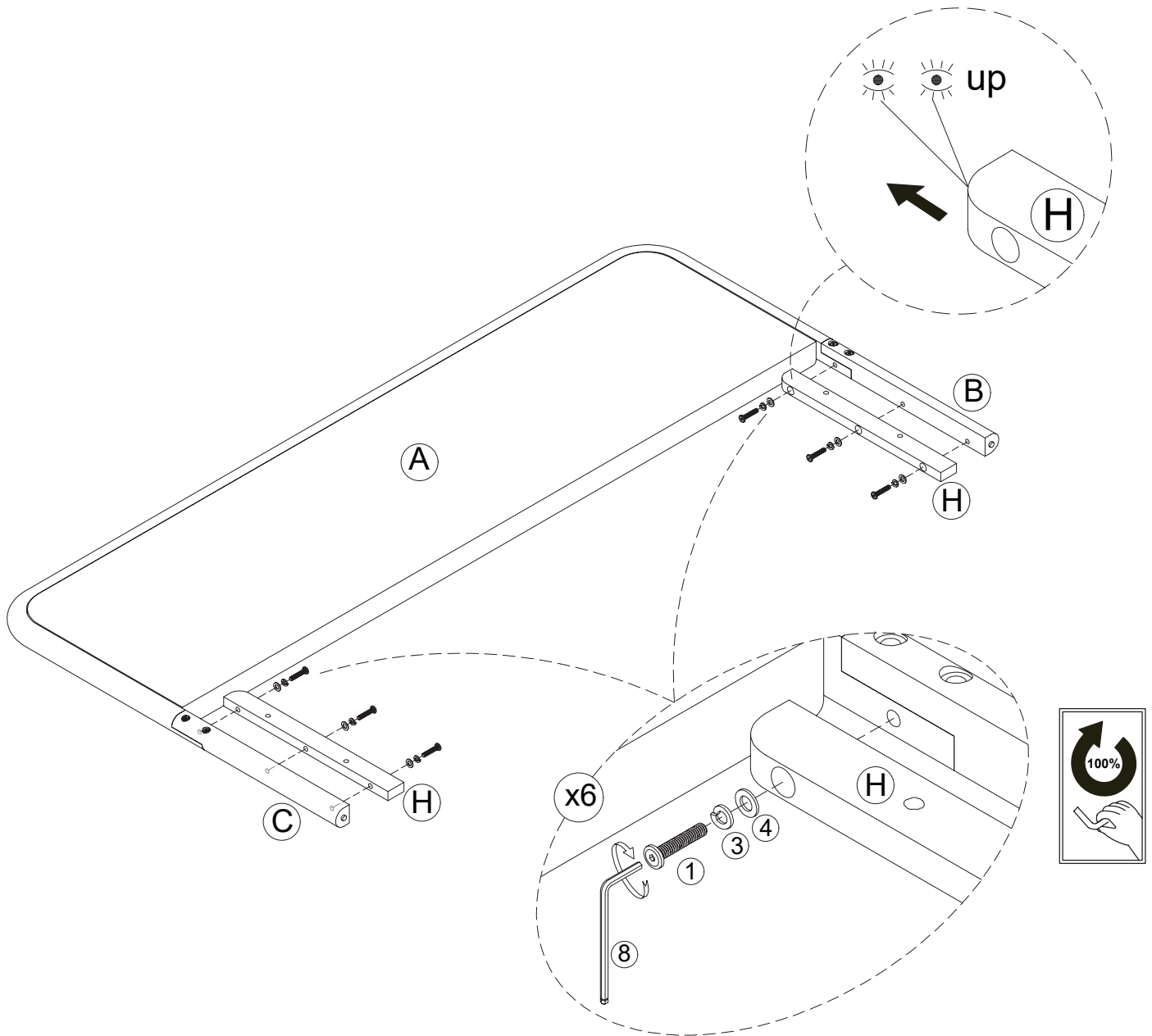
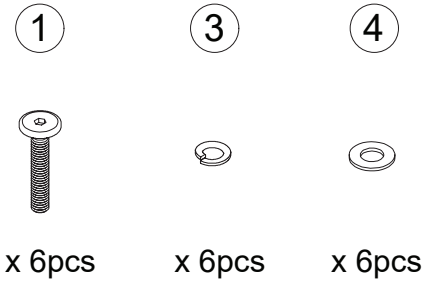
x 4pcs

x 4pcs



Step 2

Install the two Wooden Mounting Plates (H) to the Headboard Leg (Right) (C) and Headboard Leg (Left) (B) using the Hex Button Head Bolts (1), Spring Washers (3), and Flat Washers (4). Then, tighten with the Allen Key (8).



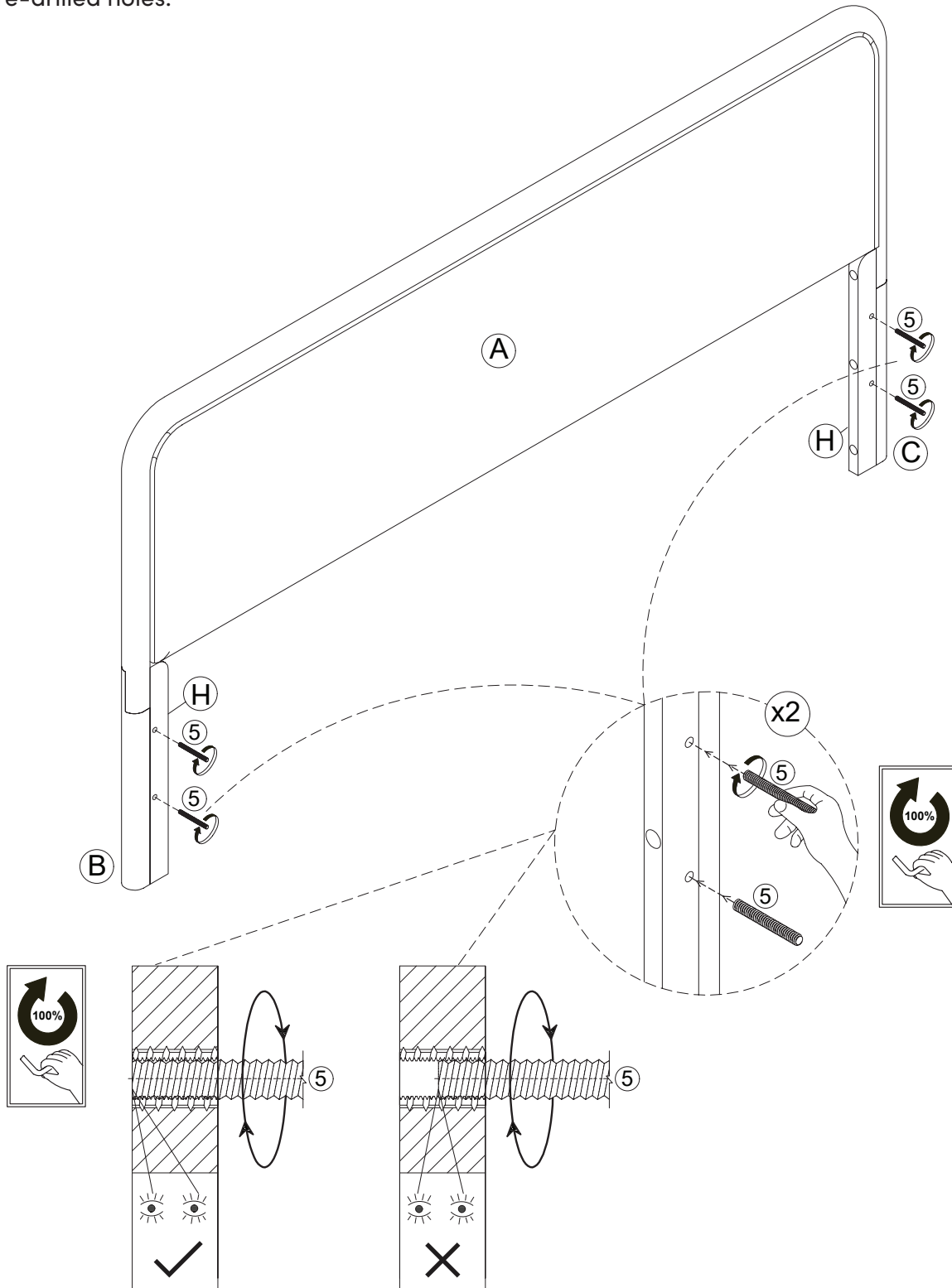
Step 3

Install four Threaded Rods (5) into the Wooden Mounting Plates (H) by rotating them until they reach the bottom of the pre-drilled holes.

5



x 4pcs



Step 4

Install the Side Rail (F) onto the Headboard Leg (Right) (C) and Headboard Leg (Left) (B) using the Curved Washer (6), Spring Washers (3), and Nut (7). Then, tighten with the Wrench (9).

3

6

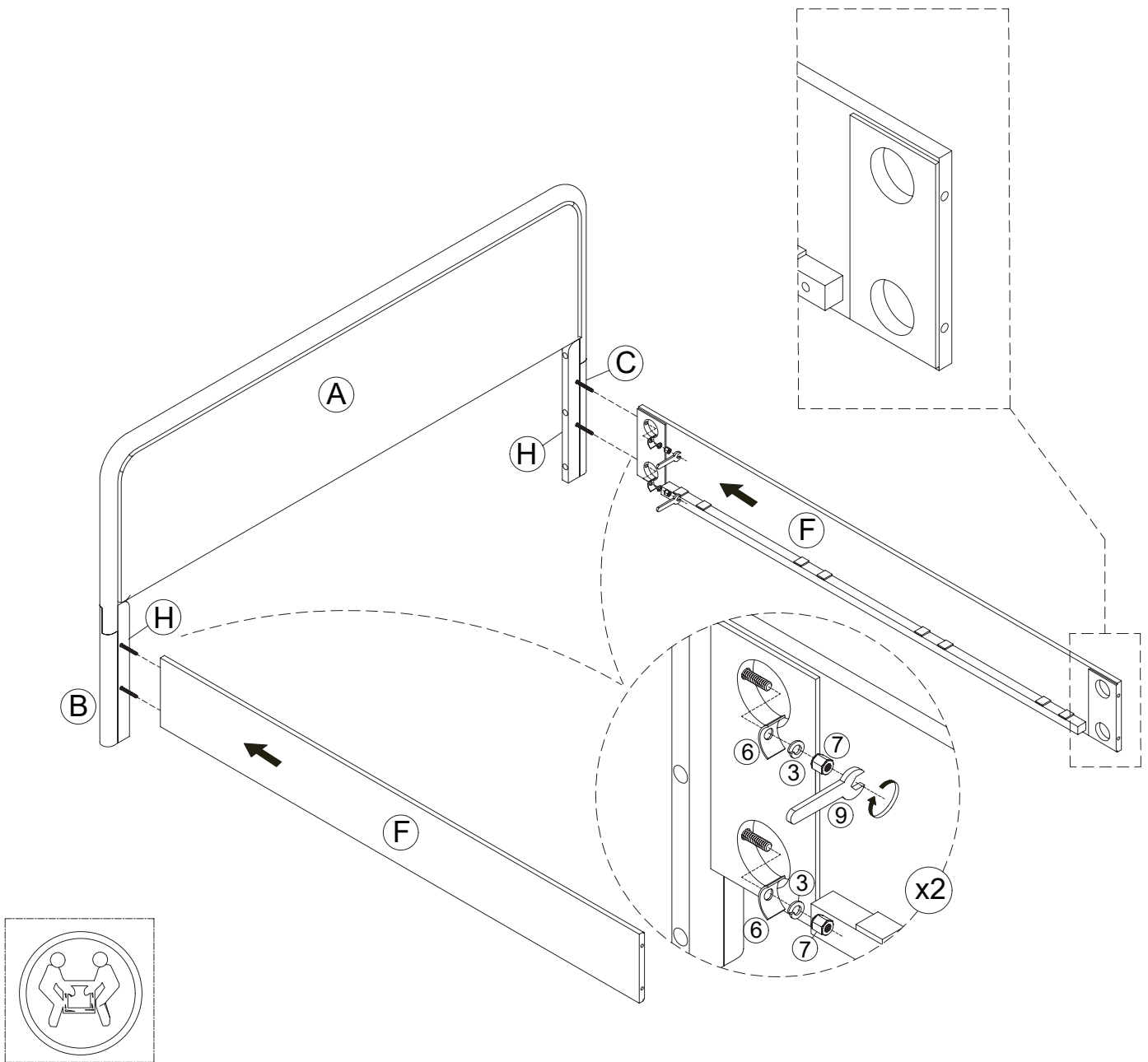
7



x 4pcs

x 4pcs

x 4pcs



CAUTION: You may need two people to assemble the bed side rails, so grab a friend.

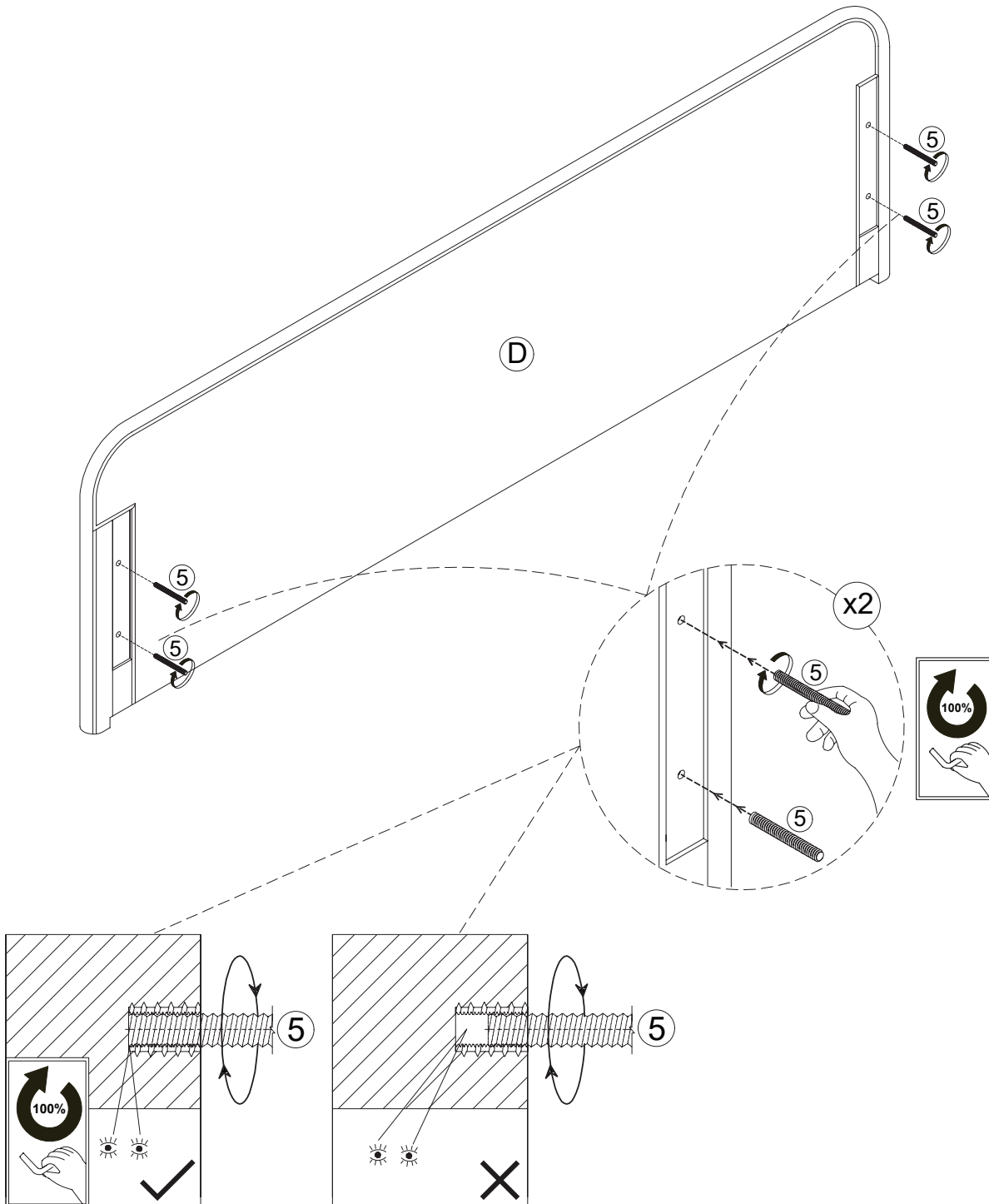
Step 5

Now, install four Threaded Rods (5) into the Footboard (D) by rotating them until they reach the bottom of the pre-drilled holes.

5



x 4pcs



Step 6

Secure the Footboard (D) to the headboard assembly completed in the previous steps using the Curved Washer (6), Spring Washers (3), and Nut (7). Then, tighten with the Wrench (9).

3

6

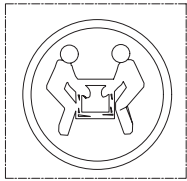
7



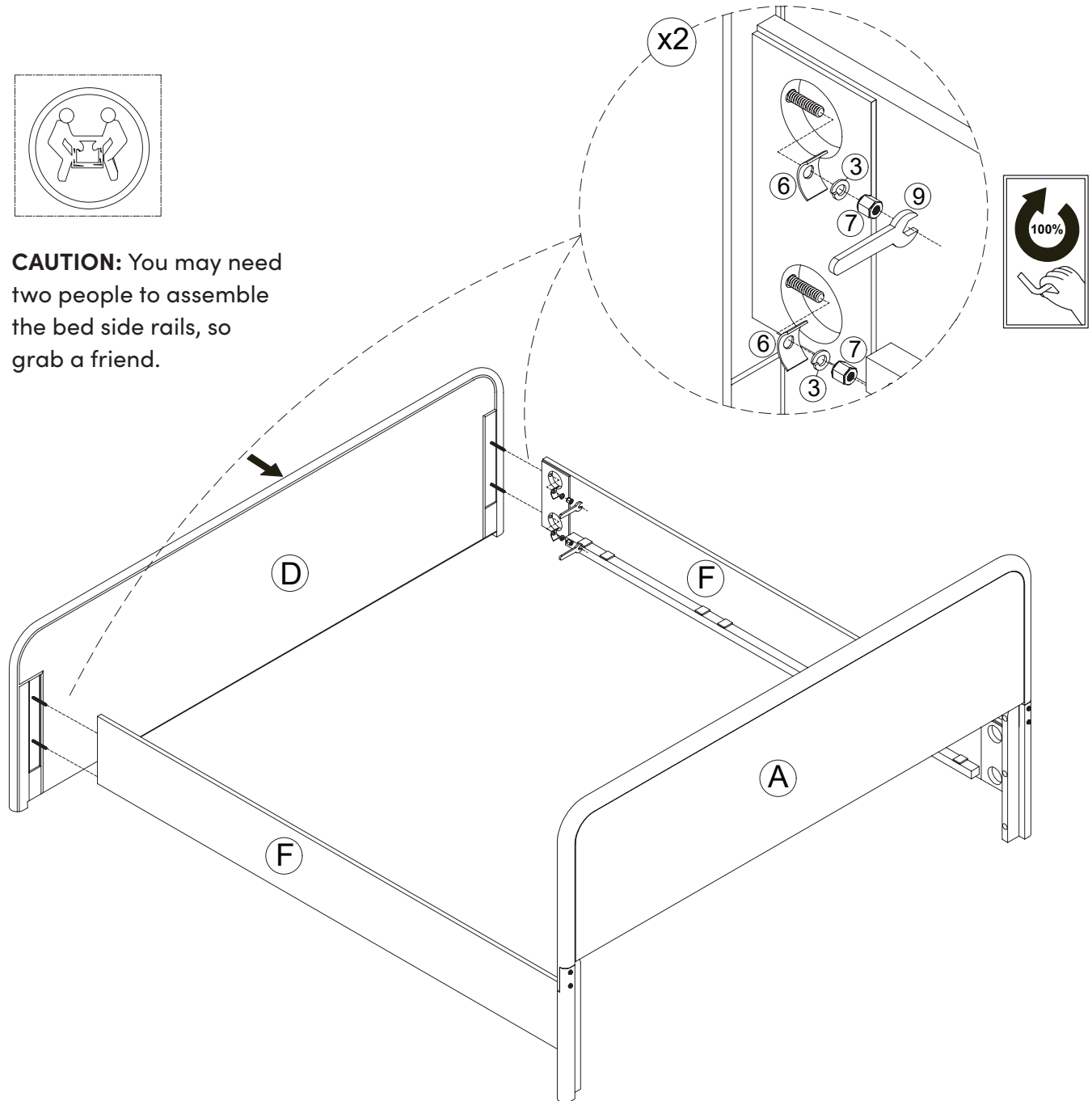
x 4pcs

x 4pcs

x 4pcs



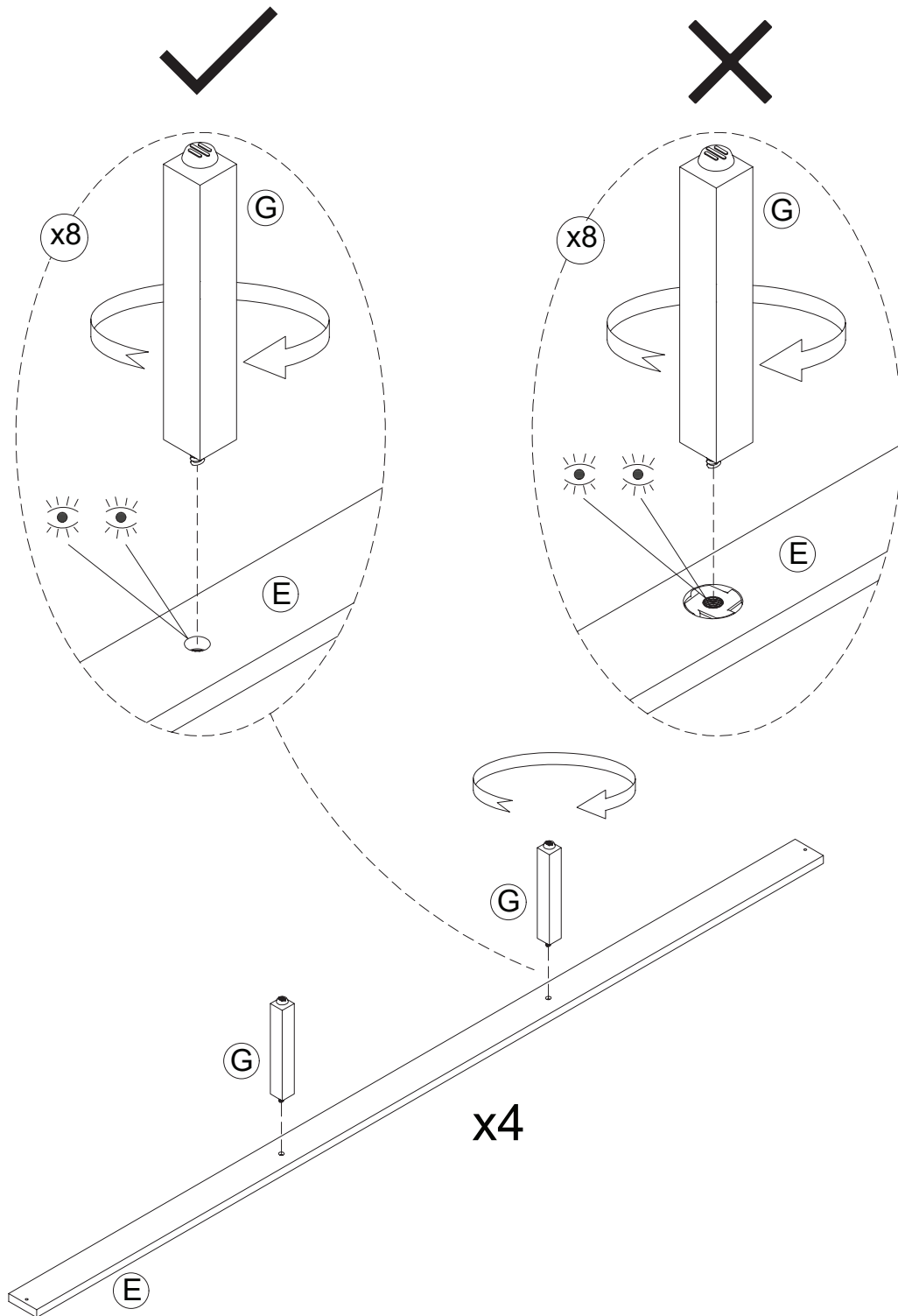
CAUTION: You may need two people to assemble the bed side rails, so grab a friend.



Additionally, for added safety and to help prevent damage to the product, we recommend checking the tightness of all bolts every 2 months.

Step 7

You are only two more steps away from finishing.
Next, install the Support Legs (G) onto the Slats (E)
by rotating them clockwise.



10



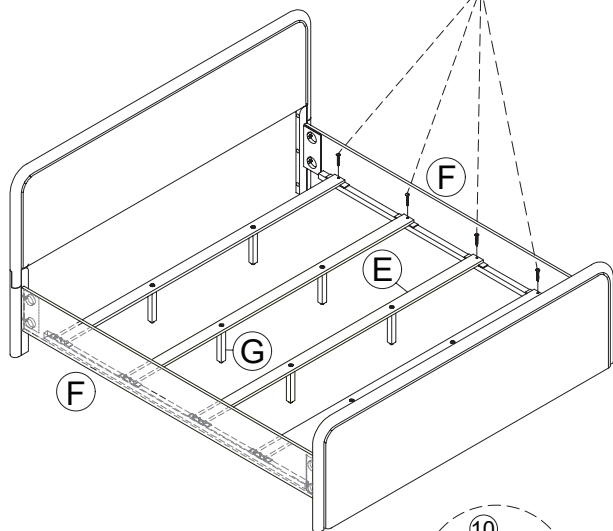
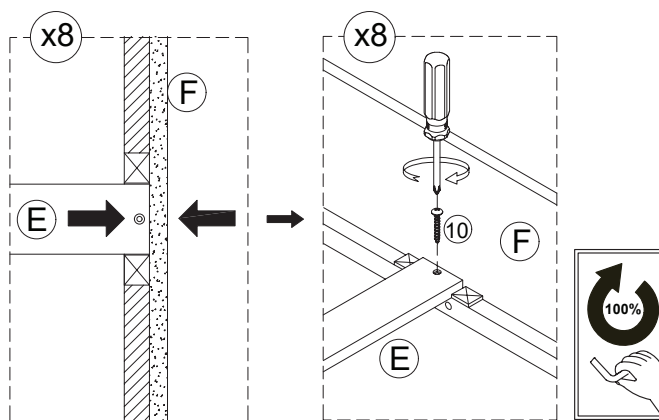
x 8pcs

Step 8

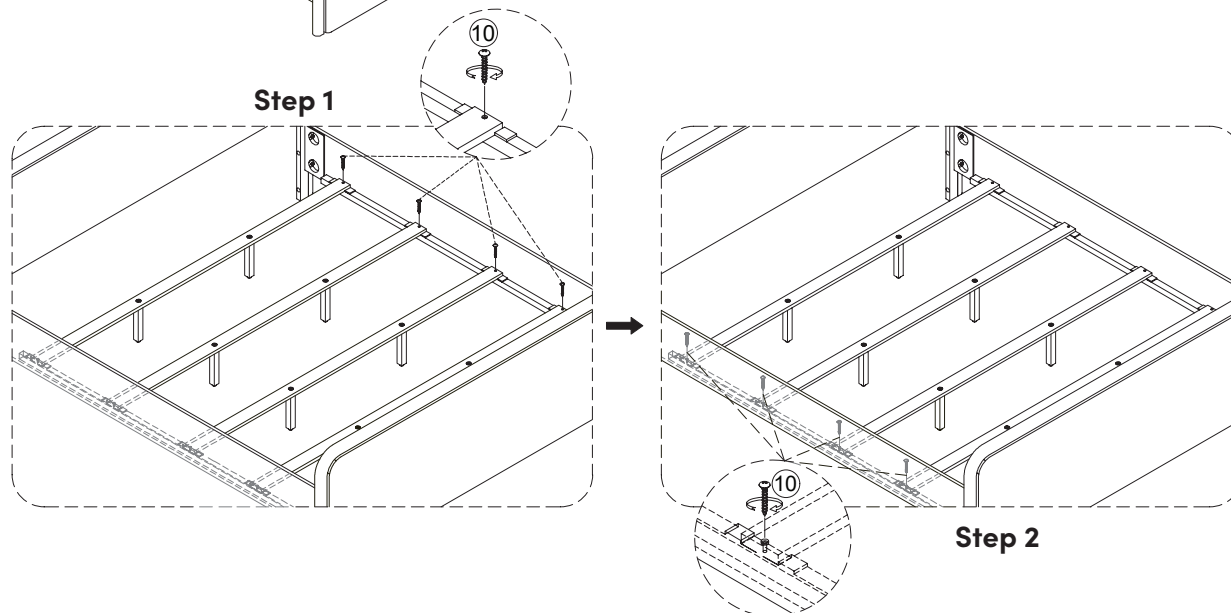
Almost there! Place the Slats completed in Step 7 onto the locations marked by the cleats on the Side Rails. Then, secure them tightly using the Screws (10).



Using a drill may make this step a little easier.

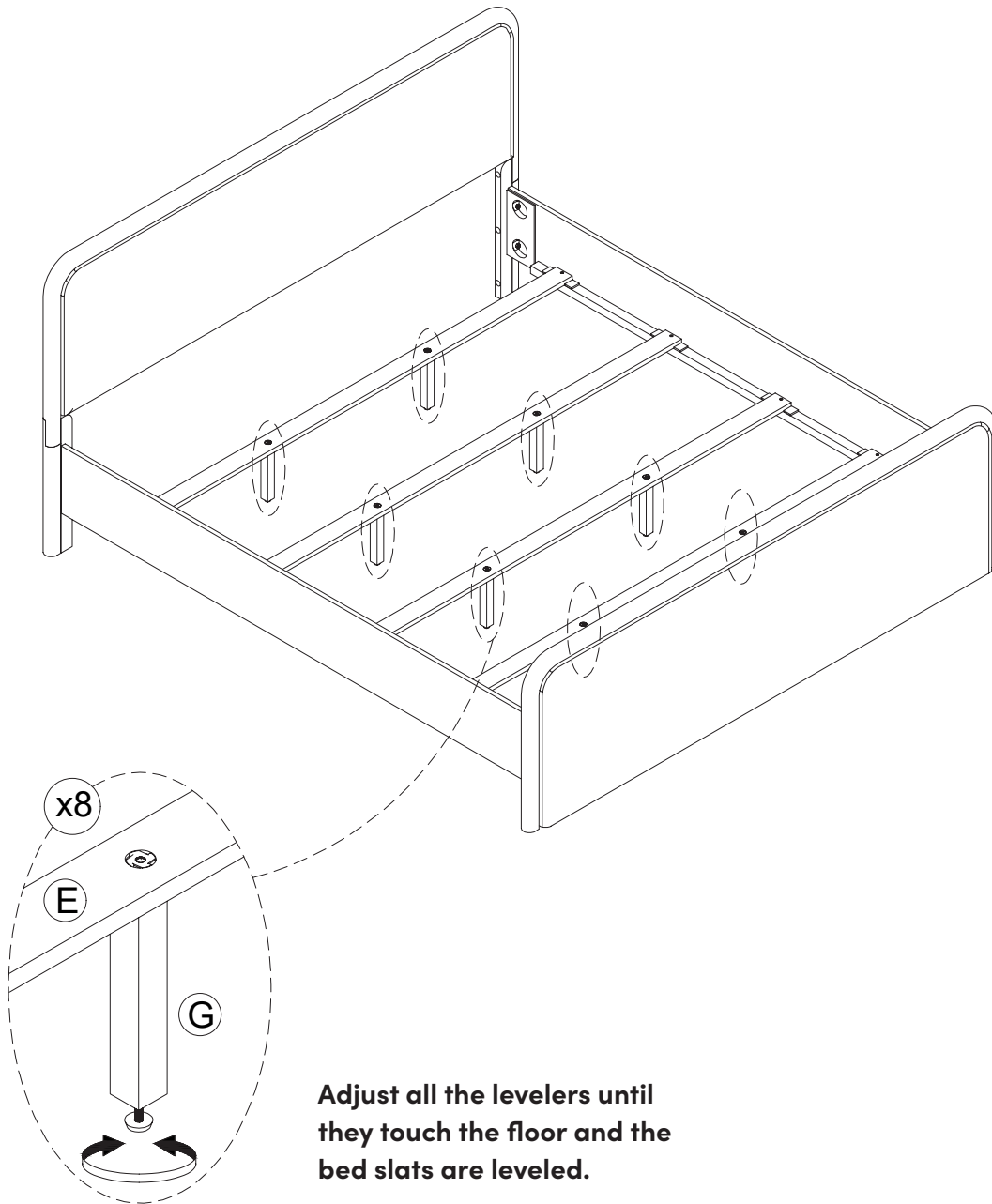


Note: Assemble one side completely before starting the other side.



Step 9

Time for the finishing details!



No heartburn, when we handle the return

Give us a call **1-866-619-1004** or shoot us a message at **help@nathanjames.com** we will issue you a free replacement with **zero hassle**.

Our way



Give us a call



Replacement



You

Their way



Re-package item



Schedule pick up



Track package



Replacement



You

We really don't want you to go through the hassle of re-packaging your item and sending it back, because let's be honest...nobody has time for that.

Safety first, fun later

We want your product to last as long as possible, so we recommend that you tighten the screws 2 weeks after assembly and for added safety check the tightness of all screws every 2 months.

For proper care and treatment, please check our website at NathanJames.com/products

Safe use of this product starts with you.

Use this product responsibly with the primary concern for your safety. Follow assembly instructions carefully and inspect product upon receipt and each use.

Nathan James and its parent companies cannot be held legally responsible for any injuries or death resulting from failure to follow instructions or improper use of this product.

Do not modify the structure of this product in any way.

Our products have been tested to meet specific safety measures as they were originally intended to be sold. Any modifications will present the risk of creating significant safety issues which NJ will not be responsible for.

Proper use

- DO NOT** use for commercial purposes
- DO NOT** frolic on bed
- DO NOT** use bed as foot stool
- DO NOT** leave spilled liquid on bed
- DO NOT** use bed if damaged
- DO NOT** make temporary repairs
- DO NOT** use outdoors

We are only in business if you're happy

For starters, thanks for being you.

☎ Toll-free at 1-866-619-1004

✉ Help@nathanjames.com

🌐 NathanJames.com/help

We do our best to ensure your furniture arrives without any problems, but occasionally mistakes happen—as humans we are imperfect beings. In the event that a part is damaged or missing, we will be more than happy to provide you with replacement part(s) for free.

Lifetime Guarantee

We believe in making things that last. That's why every product is backed by our Lifetime Guarantee. No hidden clauses. No runaround. If it breaks, we'll replace it—plain and simple. This isn't just a promise—it's our commitment to quality, and to you.

This product comes with a Lifetime Guarantee from the date of purchase. Please use your phone to scan the QR code on the cover of this booklet to register your product or visit <https://goo.gl/i9dk3q>



Did we do alright? Please spread the love!

If you are happy with your product, tell your friends and family about us, or even better, leave us a review online. Spreading the word gives us the opportunity to make more people happy and keep our prices low for your next purchase.

Brooke Burdon

Founder, Nathan James