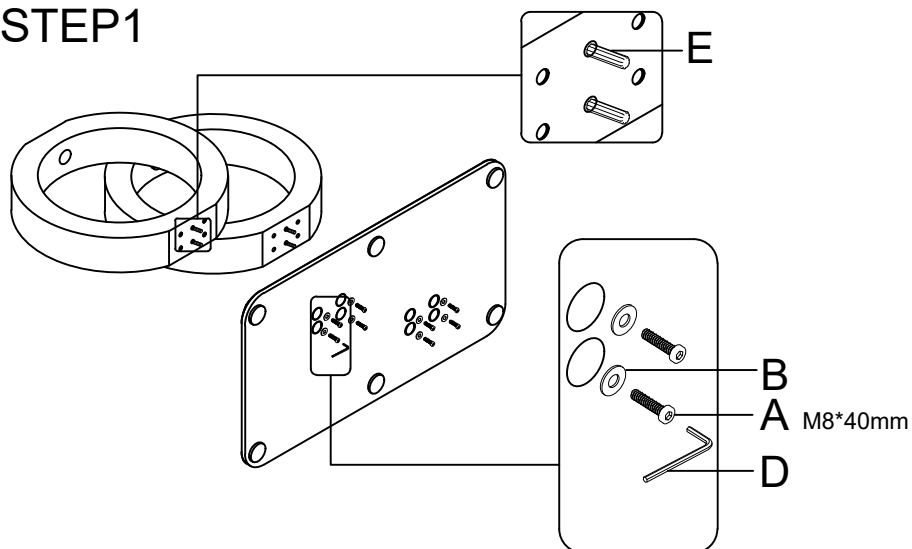
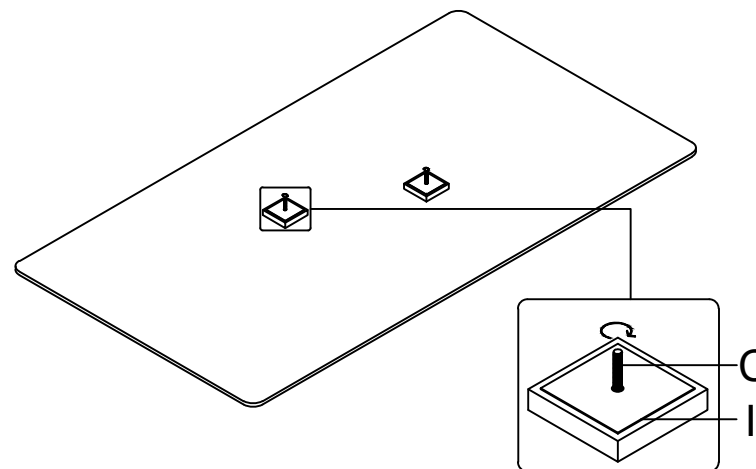


# ASSEMBLY INSTRUCTION

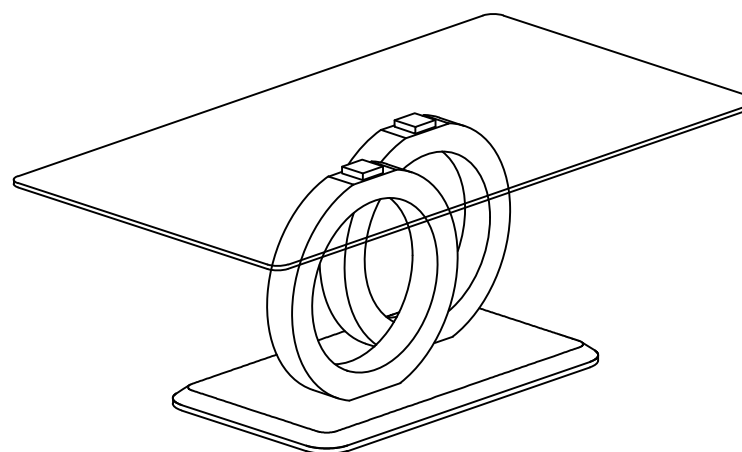
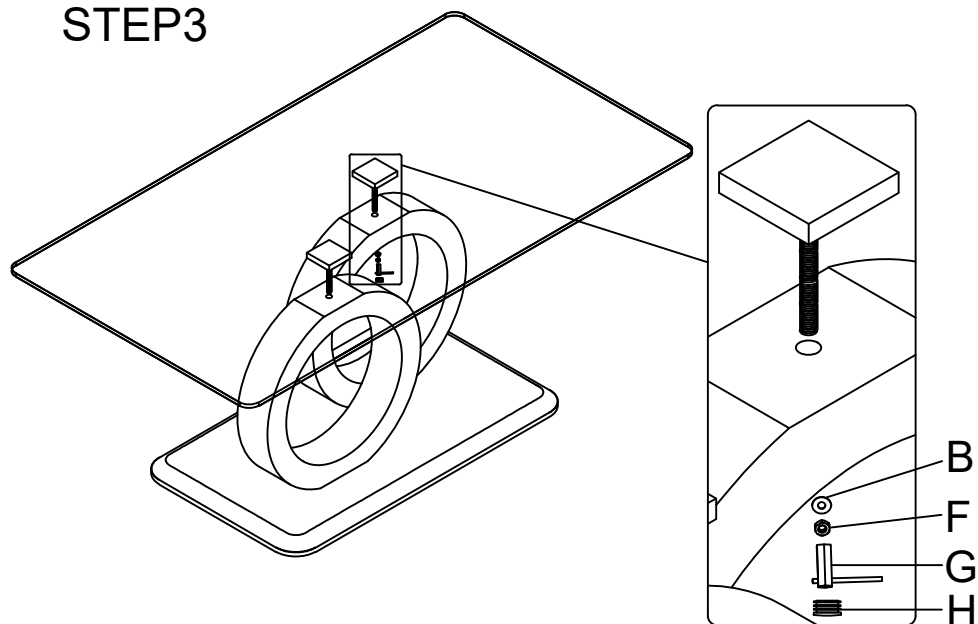
STEP1












STEP2



STEP3



102M

A	 M8*40mm	8pcs
B		10pcs
C		2pcs
D		1pc
E		4pcs
F		2pcs
G		1pc
H		2pcs
I		2pcs