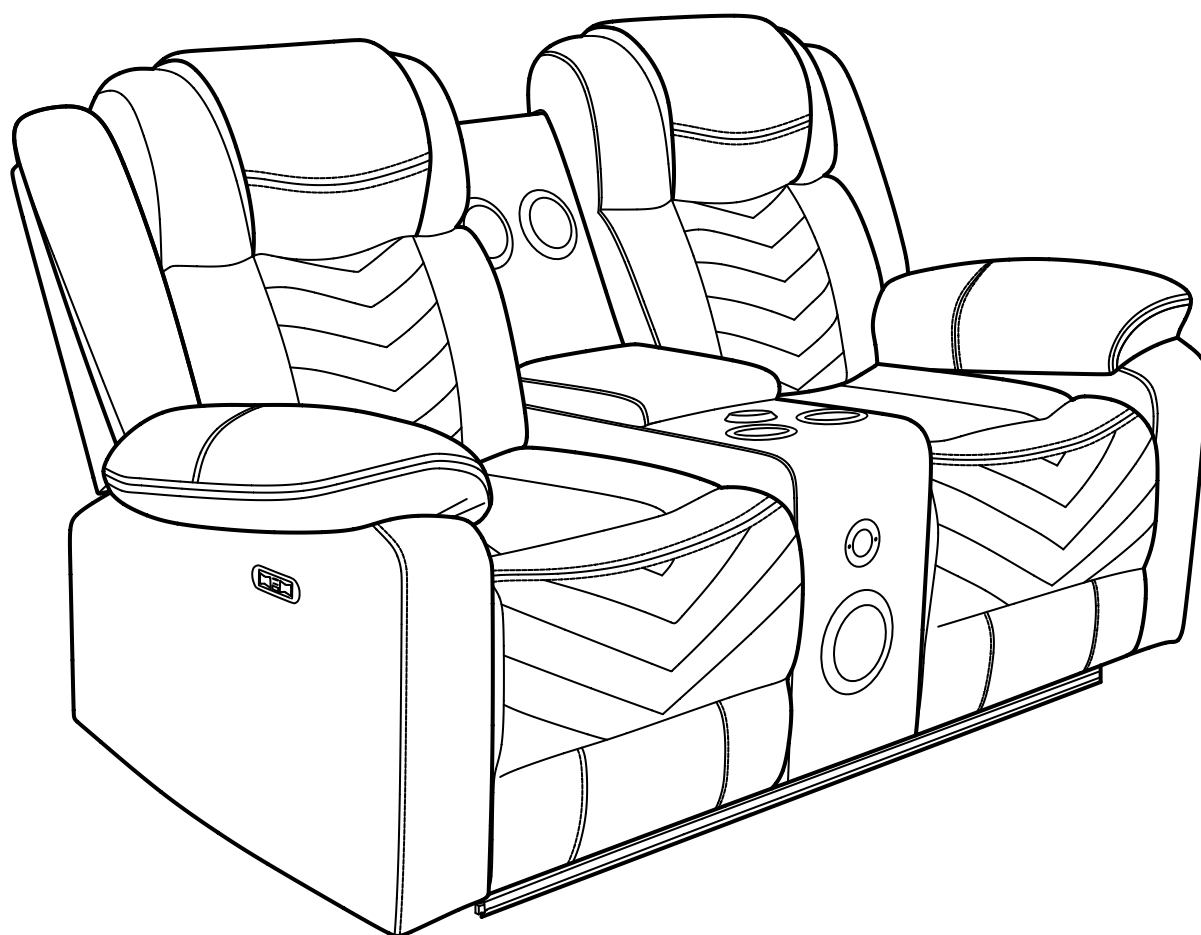


ASSEMBLY INSTRUCTIONS

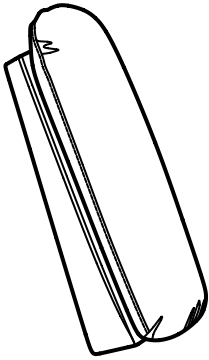
ITEM SF261-2

POWER LOVESEAT WITH CONSOLE & STORAGE
AND STAINLESS CUP HOLDER
AND BLUETOOTH SPEAKER WITH LED

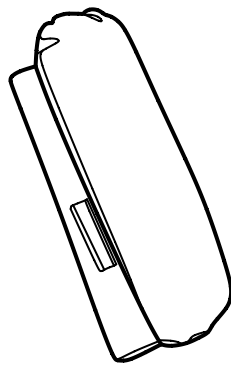


PARTS AND HARDWARE

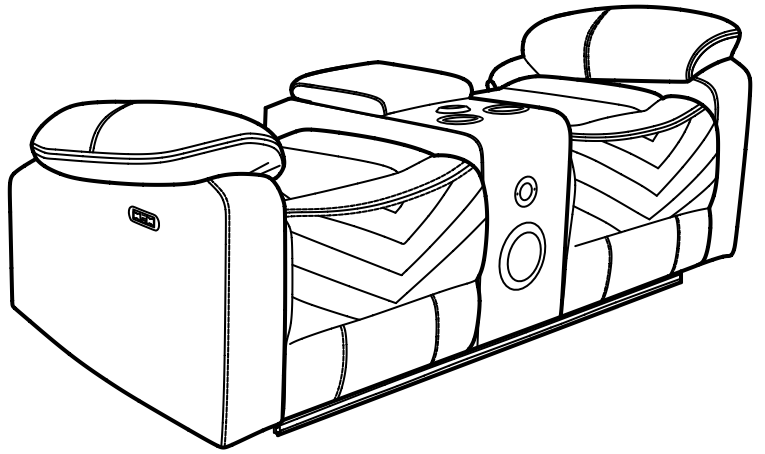
Avoid using sharp objects such as a knife to cut open packing as you may accidentally damage the upholstery



Left Ear 1x



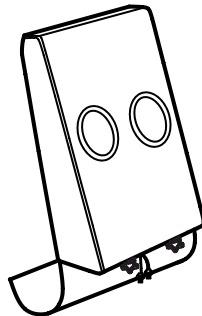
Right Ear 1x



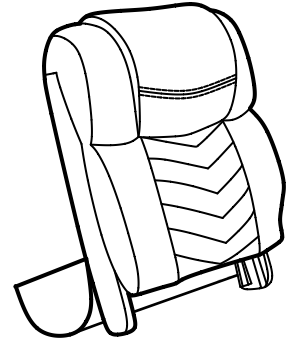
Seat Body 1x



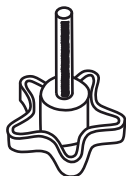
Left Backrest 1x



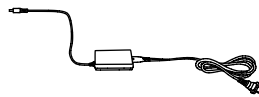
Console Backrest 1x



Right Backrest 1x



Threaded Star Knob 2x
(Attached on console backrest)



Adapter for Speaker 1x



Adapter 1x

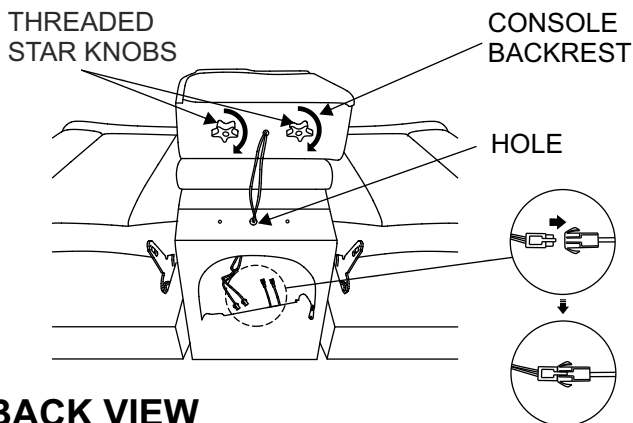
ASSEMBLY INSTRUCTIONS

CAUTION: At least two adults are required to safely complete performing this task.
Other lifting attempts may risk back injury due to large and heavy part(s)



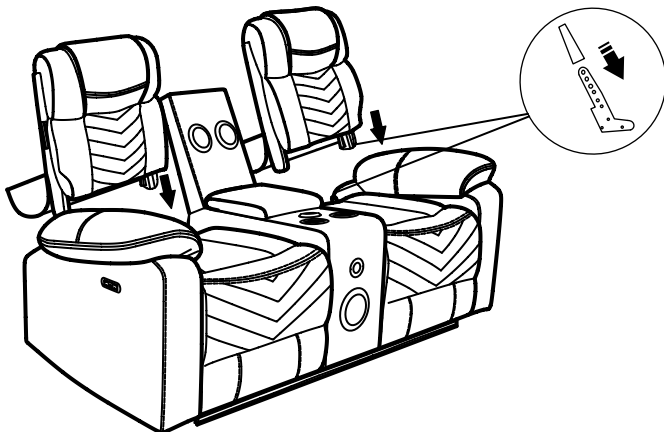
1 Carefully unpack and place parts on a clean flat surface.

2 Remove Threaded Star Knobs from Console Backrest.
Thread the wires through the hole located on the Console Base.
Attach the wires from Console Backrest to the wires inside the Console Base.

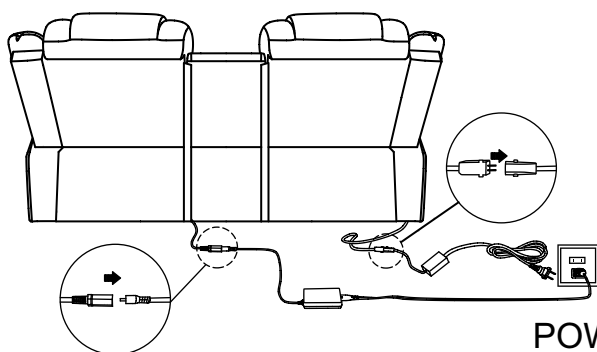


BACK VIEW

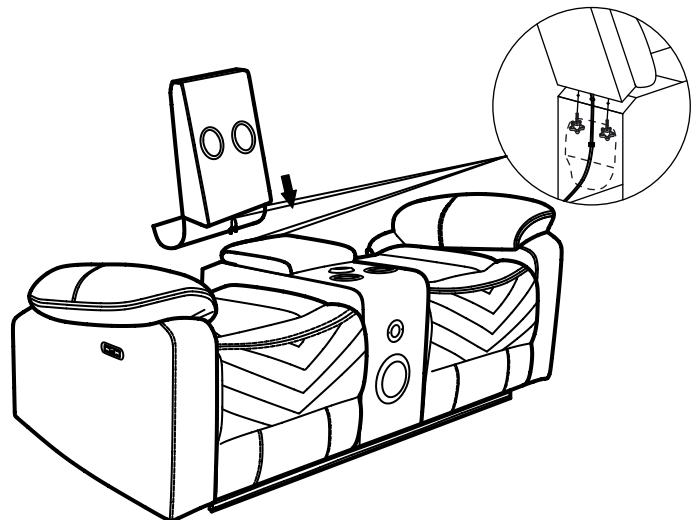
4 Attach Left Ear to Left Backrest, Right Ear to Right Backrest. Ensuring it is correct in place.



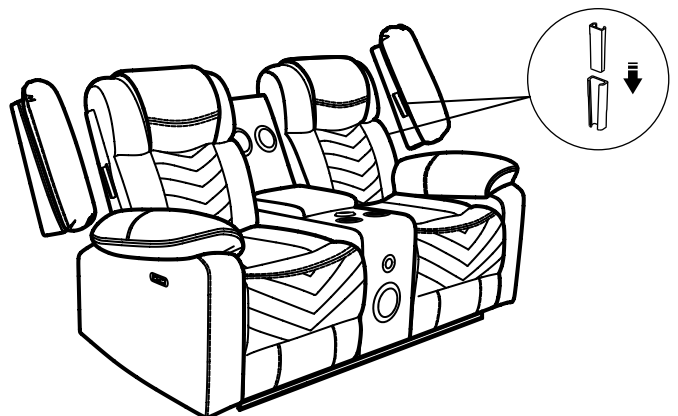
6 Find 2 power cables under bottom of the Seat Body, one is for speaker, the other is for motion motor. Then connect all plugs to the power socket.



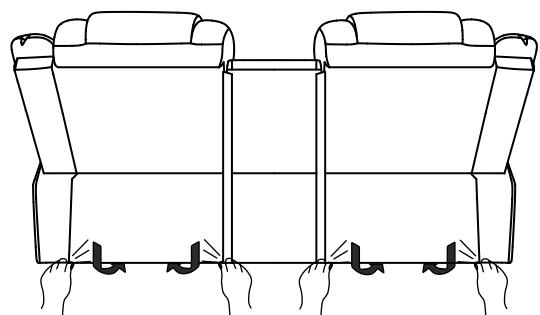
3 Attach Console Backrest to the Seat Body Ensuring it is correct in place.



5 Attach Left Ear to Left Backrest. Ensuring it is correct in place.



7 Stretch and pull down rear cover evenly before securing velcro strip to Seat Body. Repeat if necessary for better fit.

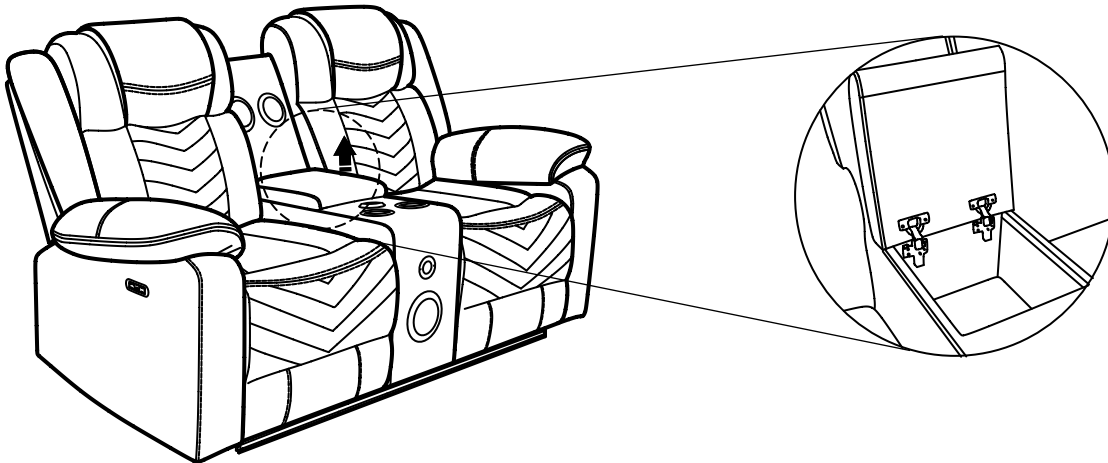


ASSEMBLY INSTRUCTIONS

CAUTION: At least two adults are required to safely complete performing this task.
Other lifting attempts may risk back injury due to large and heavy part(s)



*Storage box



*Adjust to Legrest Position and Audio Control Panel

To raise or lower the legrest, press the respective button and hold it.
Release the button when the legrest reaches the desired height.

