

Assembly Instructions

CAUTION: You must read this before you proceed



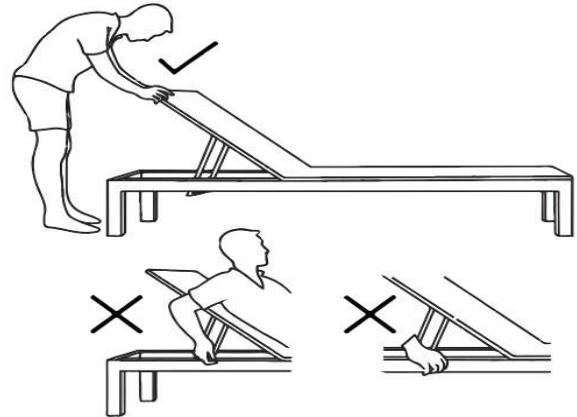
SAFETY WARNING

Never adjust Chaise Lounge or recliner backrest while seated.

Always make sure the backrest is flat before moving the Chaise Lounge.

Keep all limbs clear from under the backrest when it is in a raised position.

Serious finger, hand, or other bodily injuries may result from adjusting the Chaise Lounge backrest position while seated.



The examples pictured above are non exhaustive and are for your reference only.

Care & Maintenance



- Not for commercial use. For residential use only. Usage non commercial.



- Do not put hot items directly on furniture surface.



- Do not clean furniture with harsh cleansers or polish.



- To obtain the longest lifespan of your outdoor products, minimizing exposure to direct sunlight is recommended.



- Children should not climb or jump on the furniture.



- Do not write on furniture without a padded barrier to protect the surface.



- To obtain the longest lifespan of your outdoor products, avoid extended and lengthy exposure to rain, snow, and direct sunshine. Whenever possible cover the product and /or place under patio o awnings.



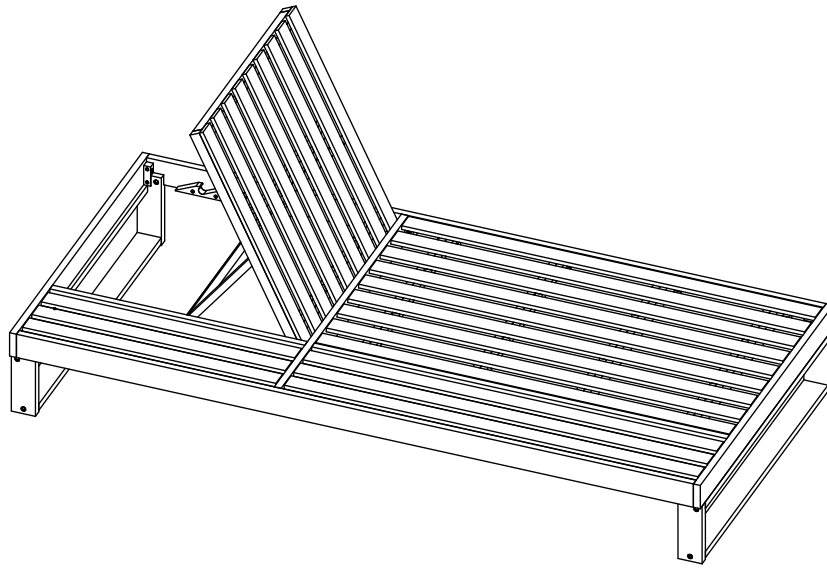
- Stains may be removed with mild soap solution and damp cloth.



- Dust and pick-up spills using a clean, non-colored, lint free cloth.

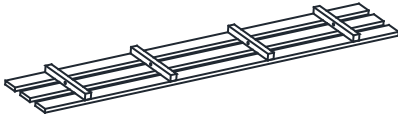
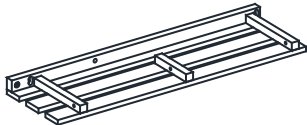
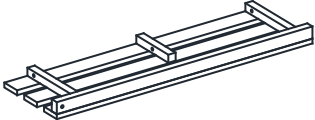
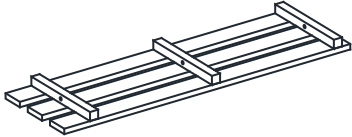
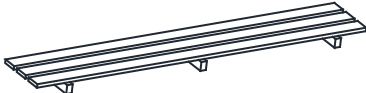
Please look underneath the Chaise Lounge top for hardware packs

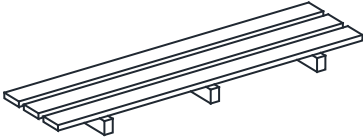
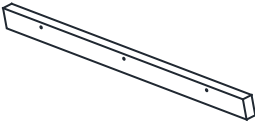

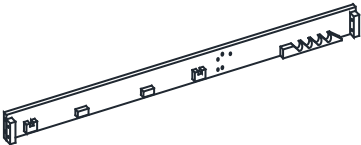
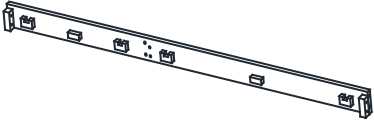
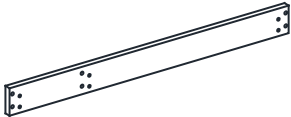


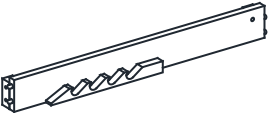
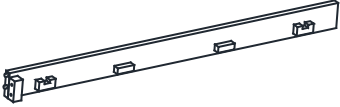
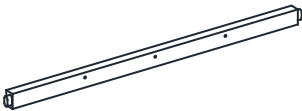
CHAISE LOUNGE



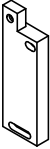
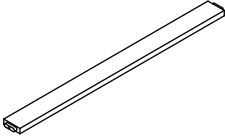
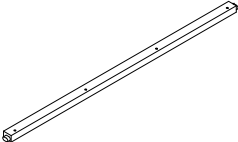


CAUTION: This Chaise Lounge is NOT a TOY
 Keep your child/ children at bay during the assembly process.
 Whenever moving/lifting the Chaise Lounge and to prevent damage to the Chaise Lounge,
 two adults are needed to execute these actions.









Part List

Label	Picture	Description	QTY
A		Seat Frame	3
B		Left Backrest Frame	1
C		Right Backrest Frame	1
D		Middle Backrest Frame	1
E		Table Top 1	1

F		Table Top 2	1
G		Support Seat Frame	4
H		Middle Support Bar	1
I		Right Side Bar	1
J		Left Side Bar	1
K		Head Support Bar	1
L		End Support Bar	1
M		Middle Frame Support Bar	1
N		Middle Frame Bar 1	1
O		Middle Frame Bar 2	1
P		Backrest Support Bar	2

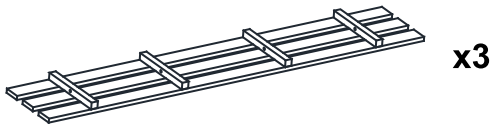
Q		Vertical Bar	2
R		Horizontal Bar	1
S		Leg	4
T		Lower Leg Support Bar	2
U		Upper Leg Support Bar	2

Hardware

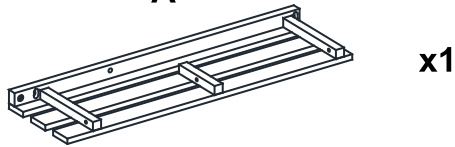
Label	Picture	Description	QTY
①		Screw (M6x50mm)	11
②		Screw (M6x35mm)	30
③		Bolt (M6x30mm)	25
④		Bolt (M6x40mm)	3
⑤		Bolt (M8x35mm)	3
⑥		Washer Plastic (M6x16x2mm)	3
⑦		Washer Plastic (M8x18x2mm)	3
⑧		Allen Wrench	1

Assembly Preparation

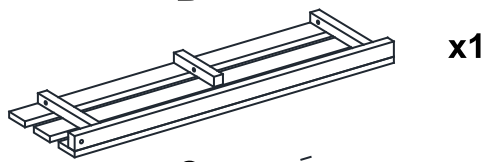
Before Beginning Assembly



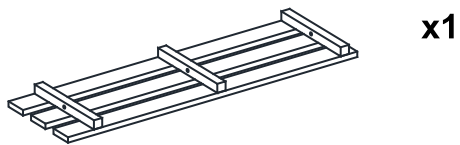
A



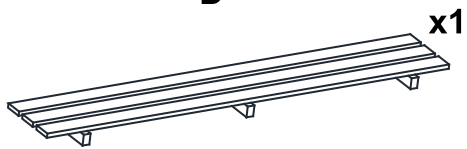
B



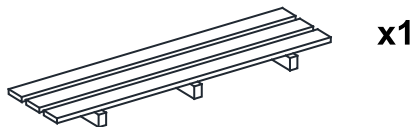
C



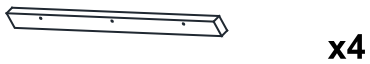
D



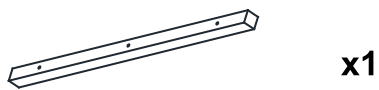
E



F



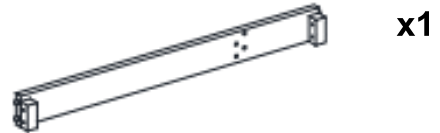
G



H



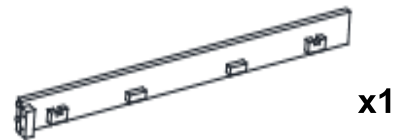
L



M



N



O



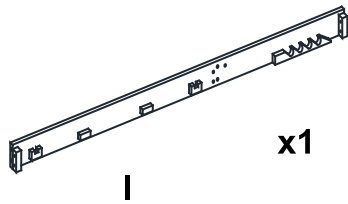
P



Q

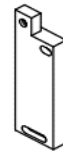


R



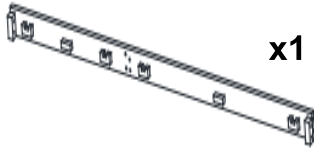
x1

I



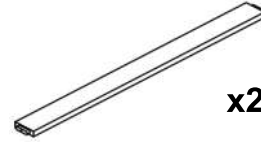
x4

S



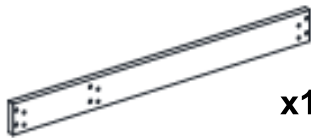
x1

J



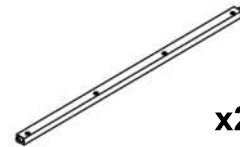
x2

T



x1

K



x2

U



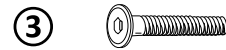
x11

①



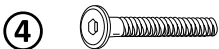
x30

②



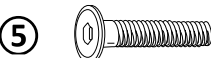
x25

③



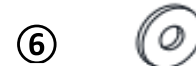
x3

④



x3

⑤



x3

⑥



x3

⑦



x1

⑧



- Read instructions, cover to cover-



- Have 2 adults on hand for assembly-



- Do not assemble on flooring or carpet-



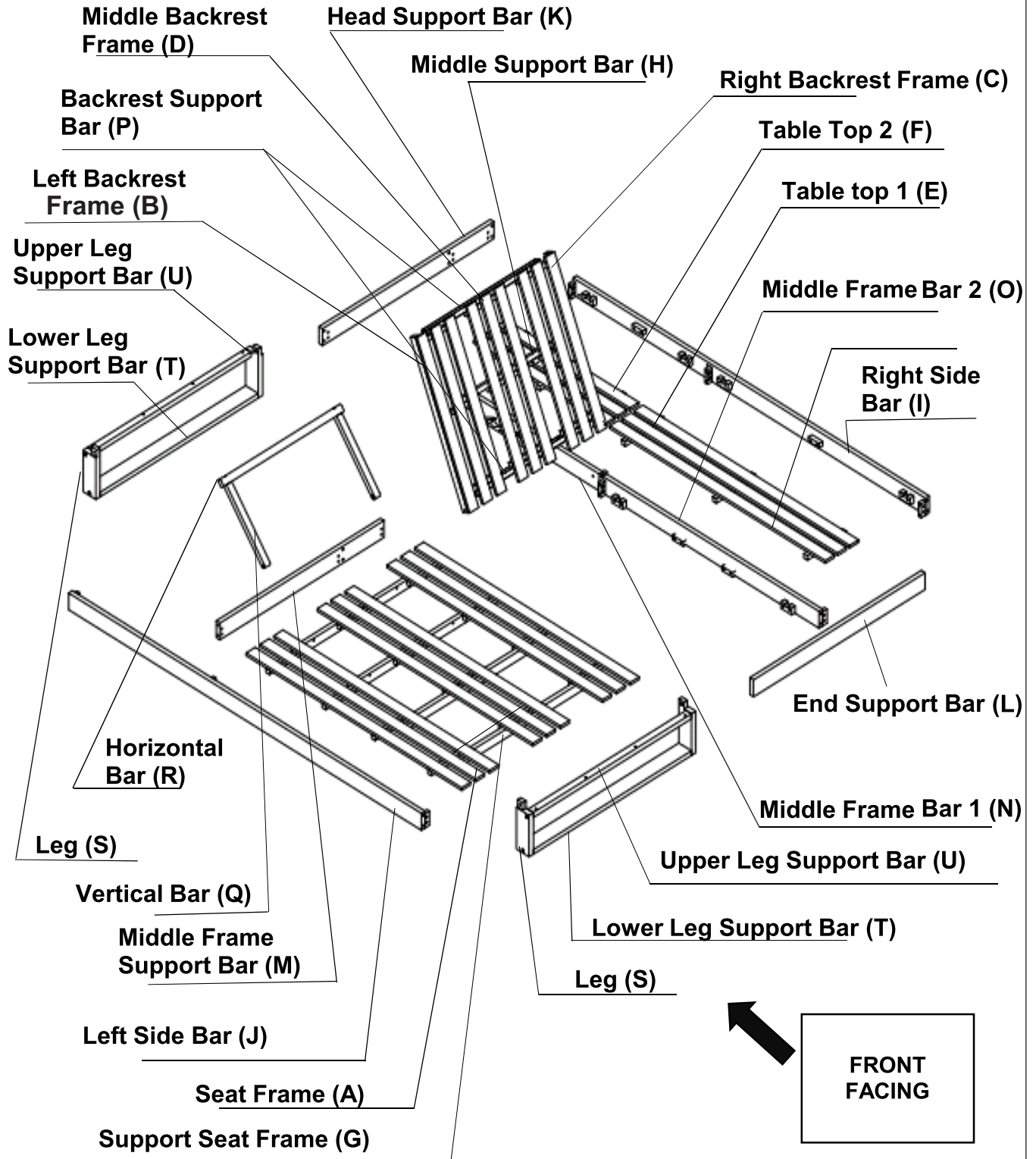
- Assemble on a clean non-marring surface (packing foam)-



- Save all packaging until finished-

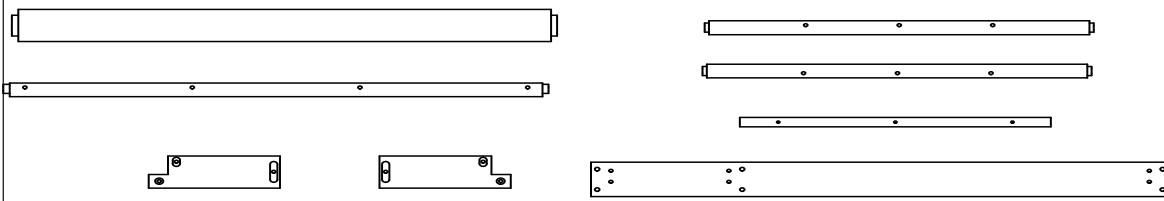
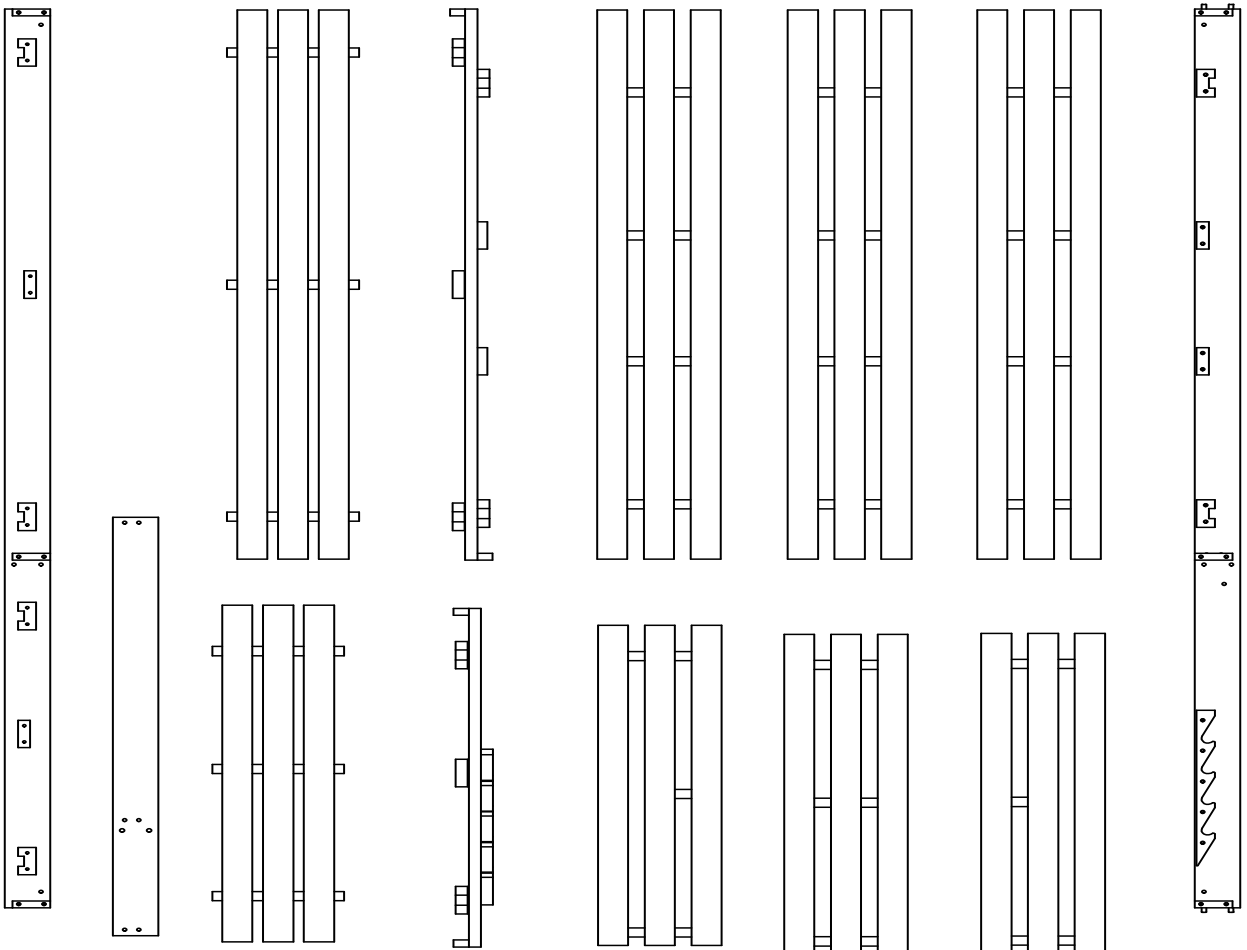
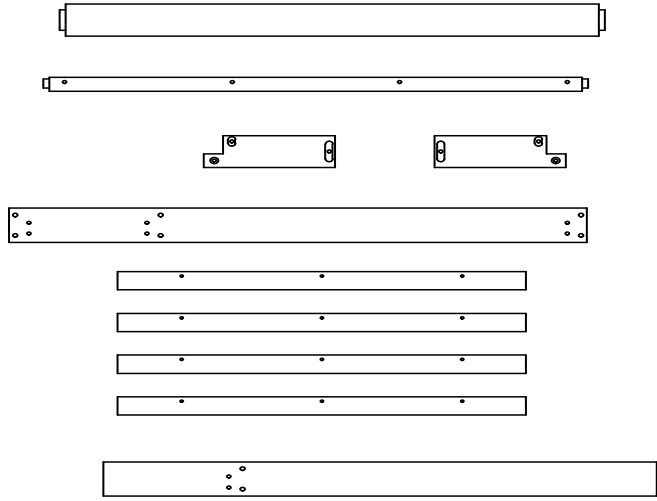
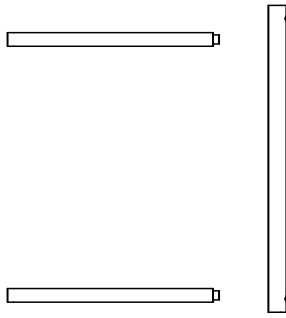
Assembly Steps

Overview



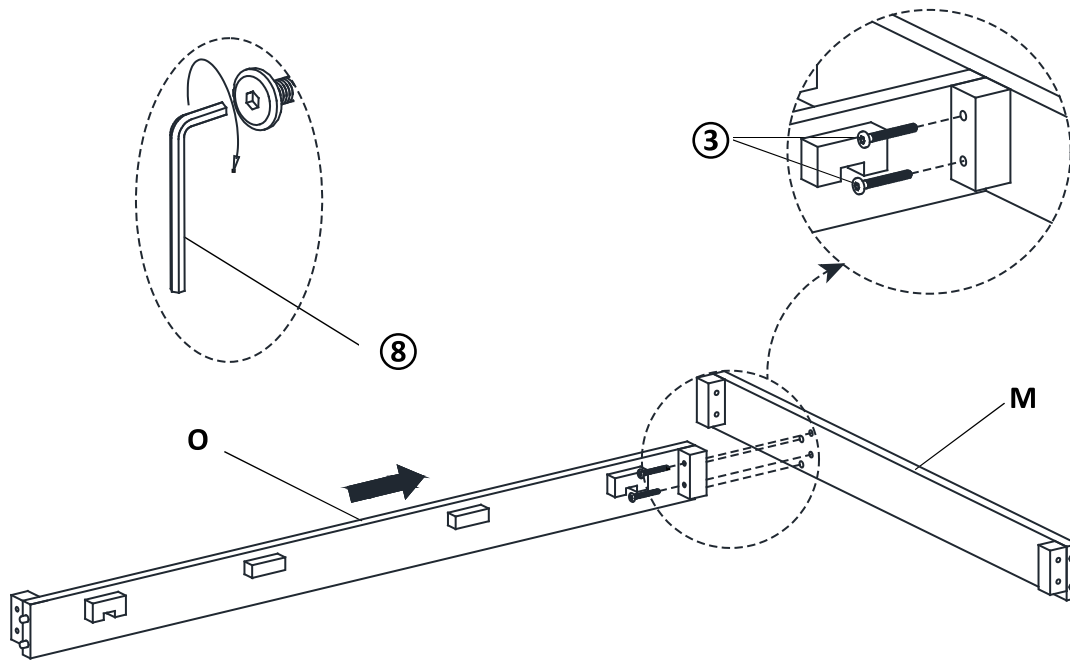
This Chaise Lounge has multiple parts and may require up to 30 minutes to assemble. To give you an overview of the Chaise Lounge parts, the above picture is to help you put the various parts into perspective. Please read through the instructions below to familiarise yourself with the parts and steps before assembly.

Step 1:



Unpack and place all parts on a clean, non-marring surface.

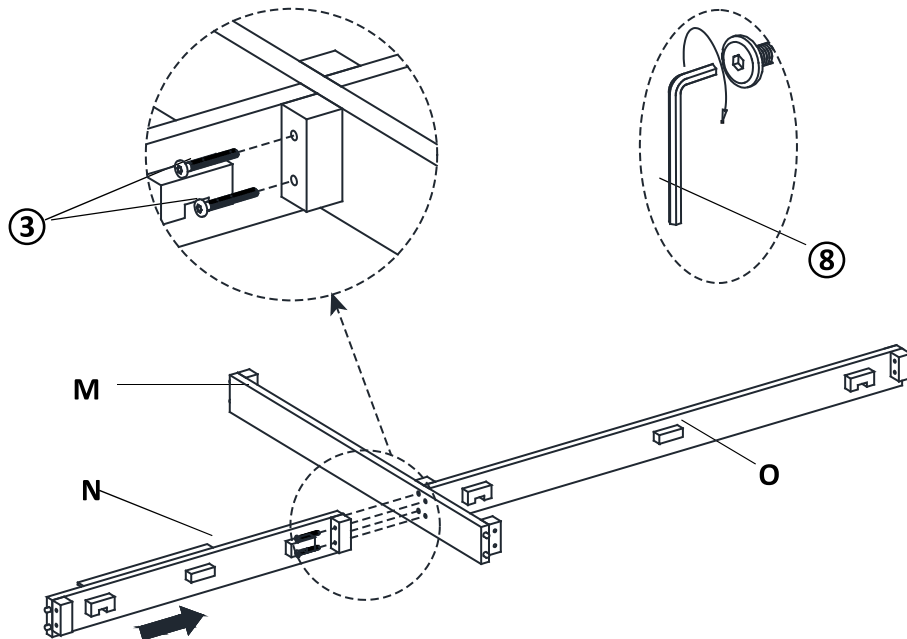
Step 2:



With assistance from your adult partner, place the Middle Frame Support Bar (M) facedown onto a clean, non marring surface, then attach the Middle Frame Bar 2 (O) to the Middle Frame Support Bar (M) by using the Bolts (3) and the Allen Wrench (8).

Do not fully tighten the Bolts at this time

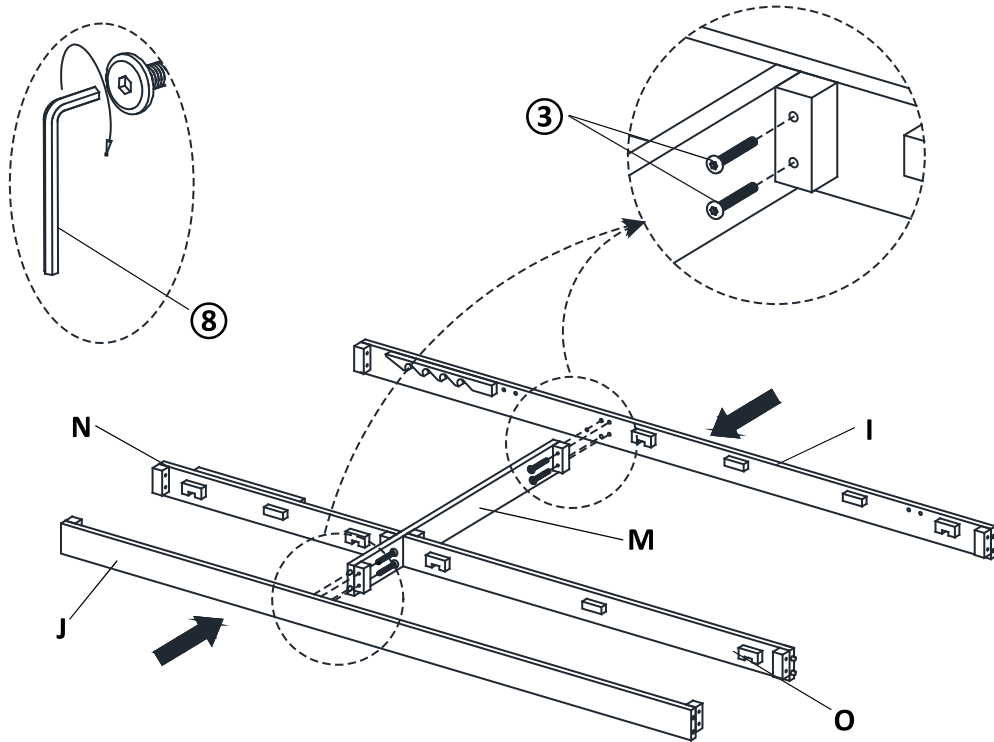
Step 3:



Attach the Middle Frame Bar 1 (N) to assembled part in Step 2 by using Bolts (3) and Allen Wrench (8).

Do not fully tighten the Bolts at this time

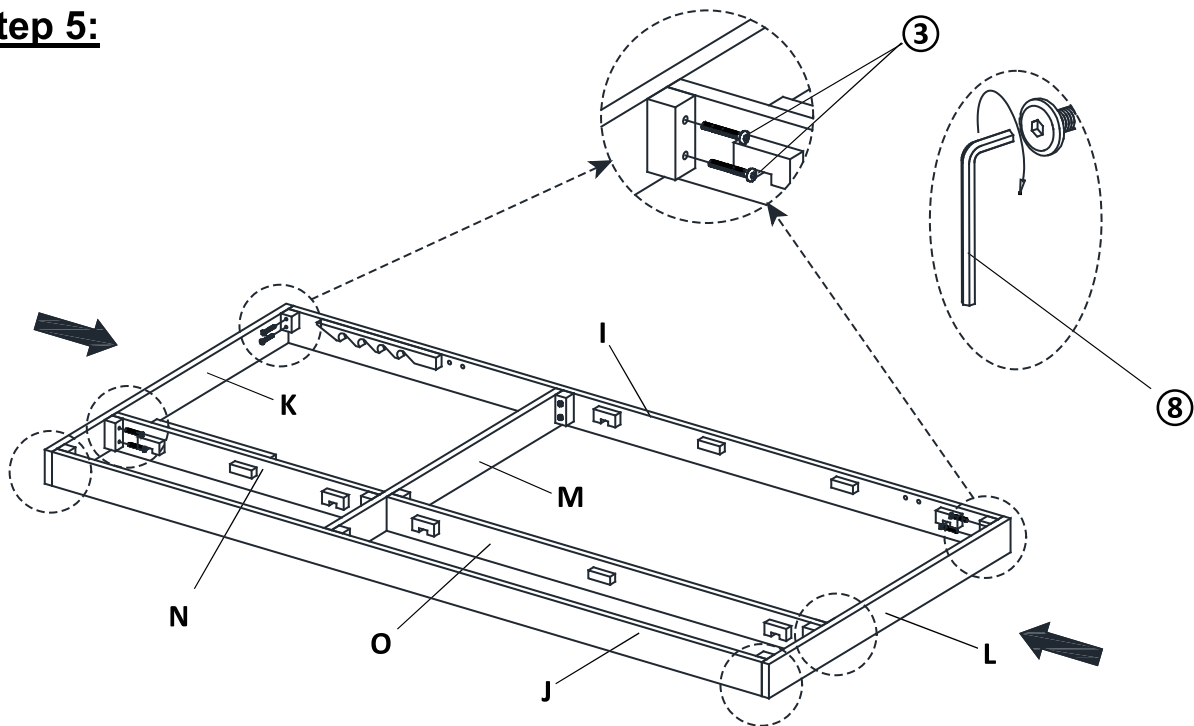
Step 4:



Attach the Right Side Bar (I) and Left Side Bar (J) to assembled part in Step 3 by using Bolts (③) and Allen Wrench (⑧).

Do not fully tighten the Bolts at this time

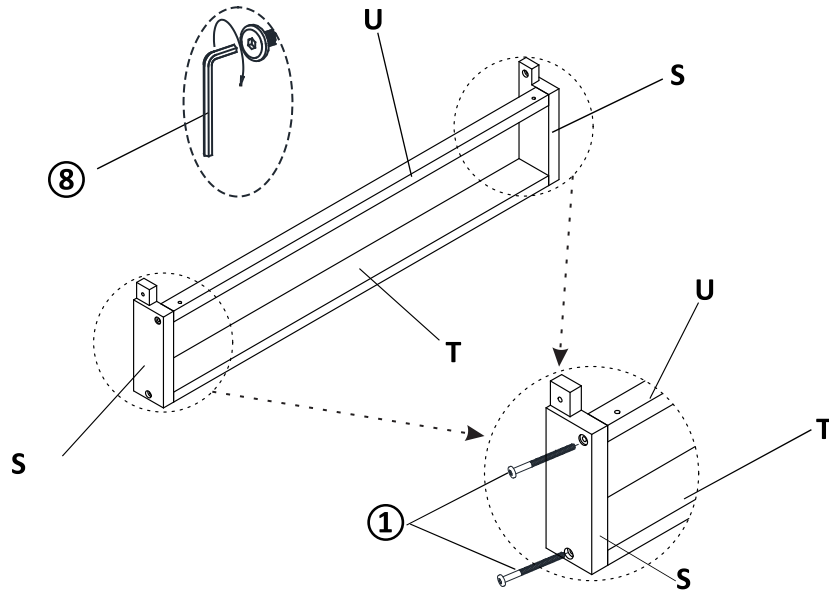
Step 5:



Attach Head Support Bar (K) and End Support Bar (L) by using Bolts (③) and Allen Wrench (⑧).

Do not fully tighten the Bolts at this time

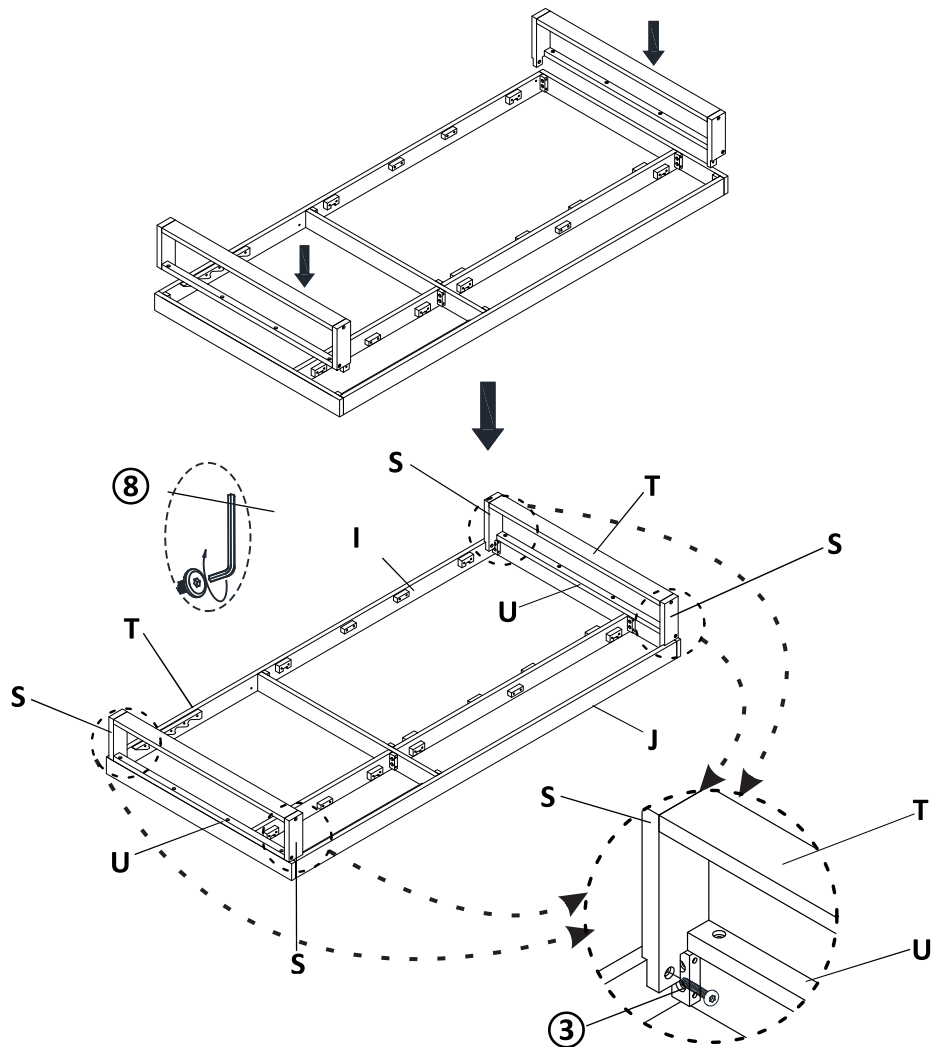
Step 6:



Position the tenon of Lower Leg Support Bar (T) and Upper Leg Support Bar (U) to the housing of Leg (S). Attach the parts by using Screws (1) and Allen Wrench (8). Continue with remaining Leg Frame.

Do not fully tighten the Screws at this time

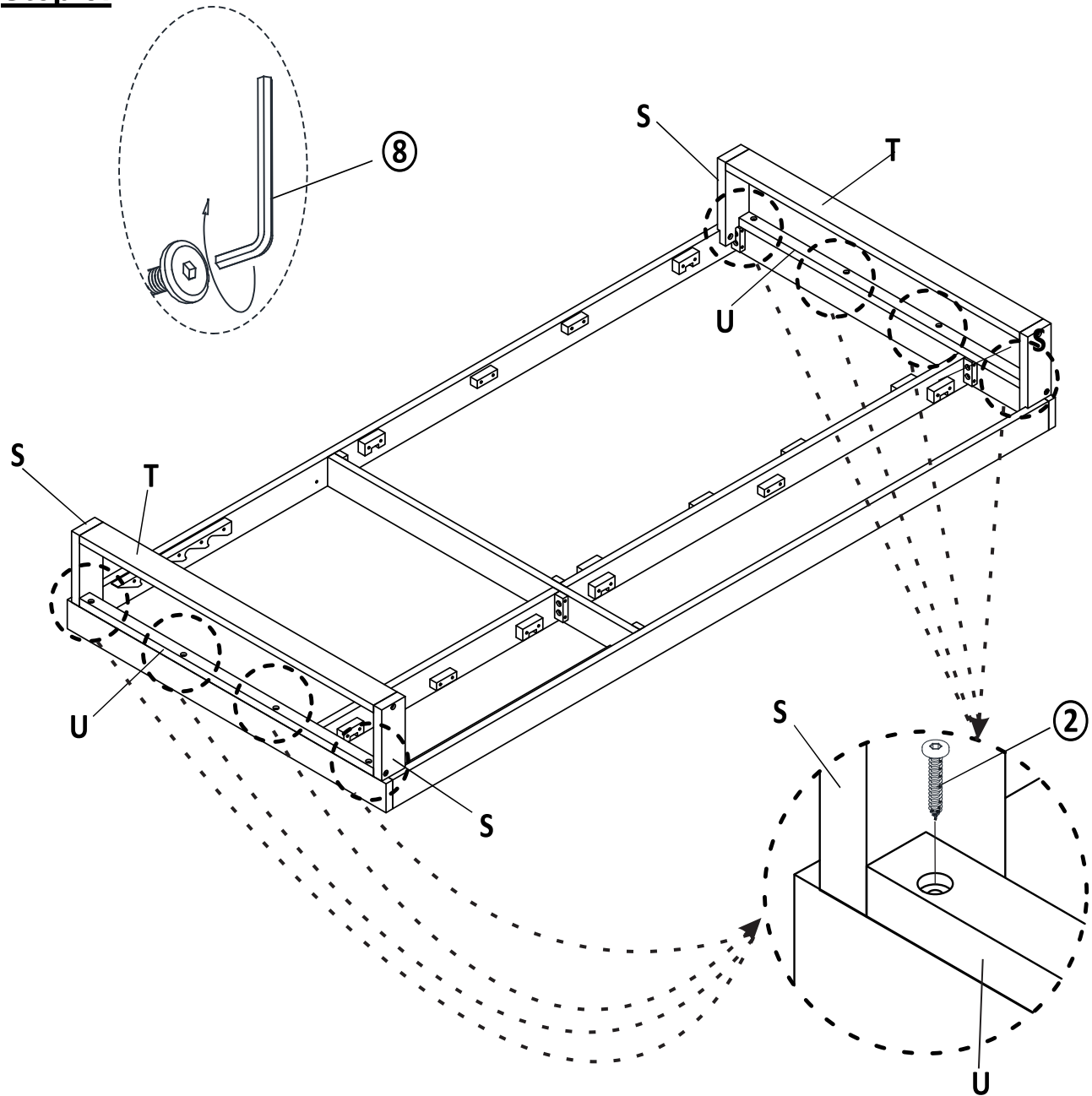
Step 7:



Attach the assembled part in Step 5 to the assembled part in Step 6 by using bolts (③) and Allen Wrench (⑧).

Do not fully tighten the Bolts at this time

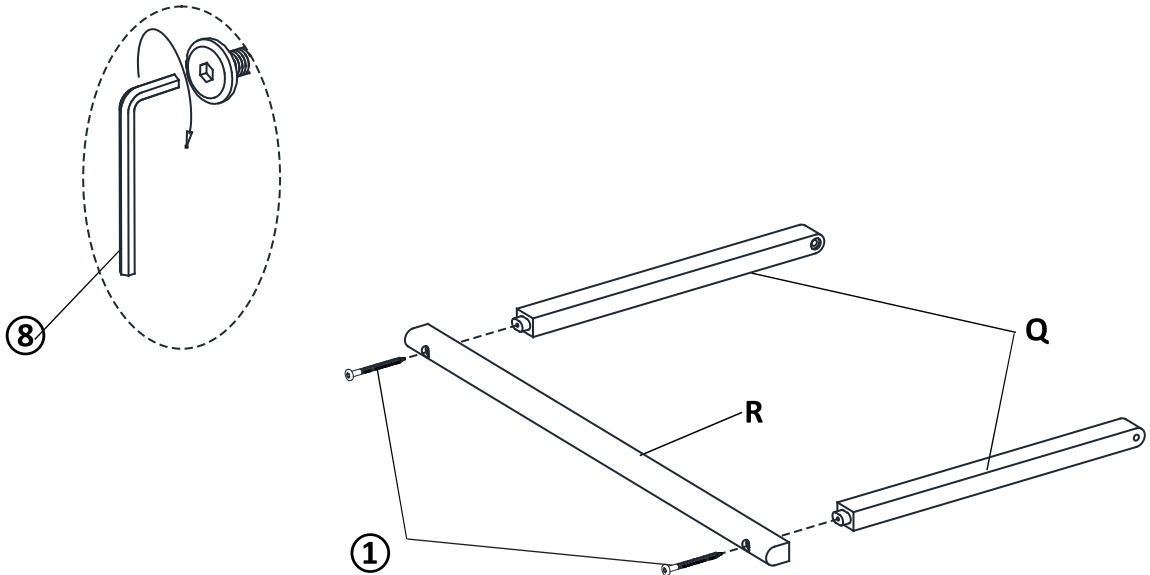
Step 8:



Continue attaching the assembled part in Step 5 to assembled part in Step 7 by using Screws (②) and Allen Wrench (⑧).

Do not fully tighten the Screws at this time

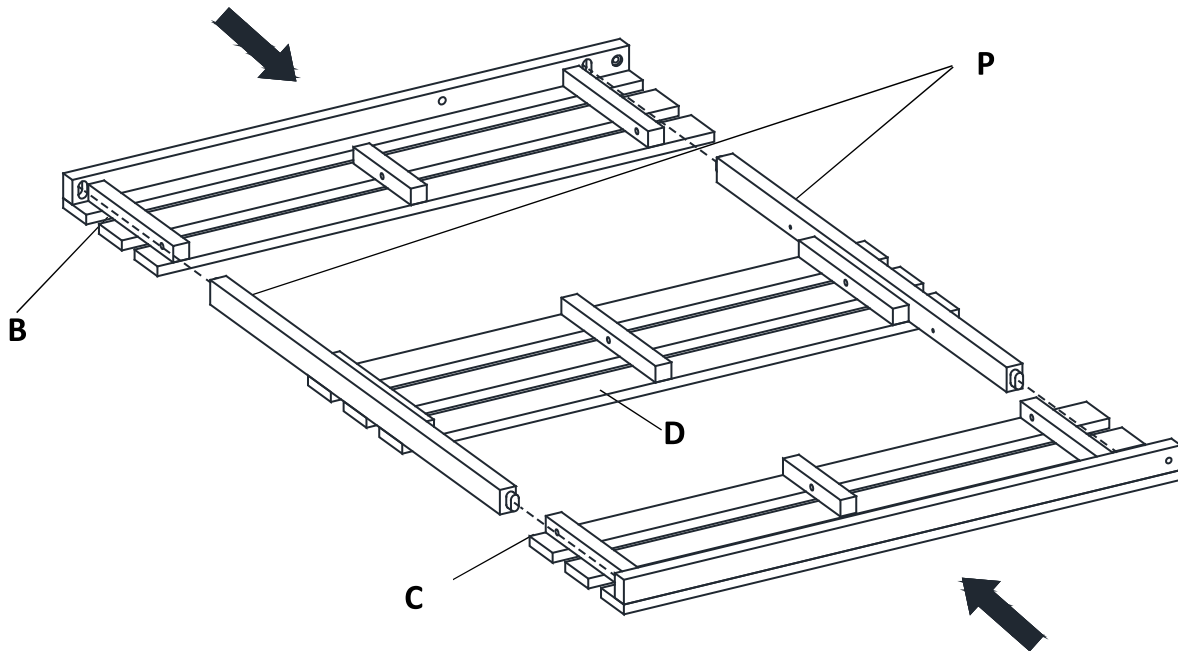
Step 9:



Position the tenon of Vertical Bar (Q) to the housing of Horizontal Bar (R) and attach them by using Screws (①) and Allen Wrench (⑧).

Do not fully tighten the Screws at this time

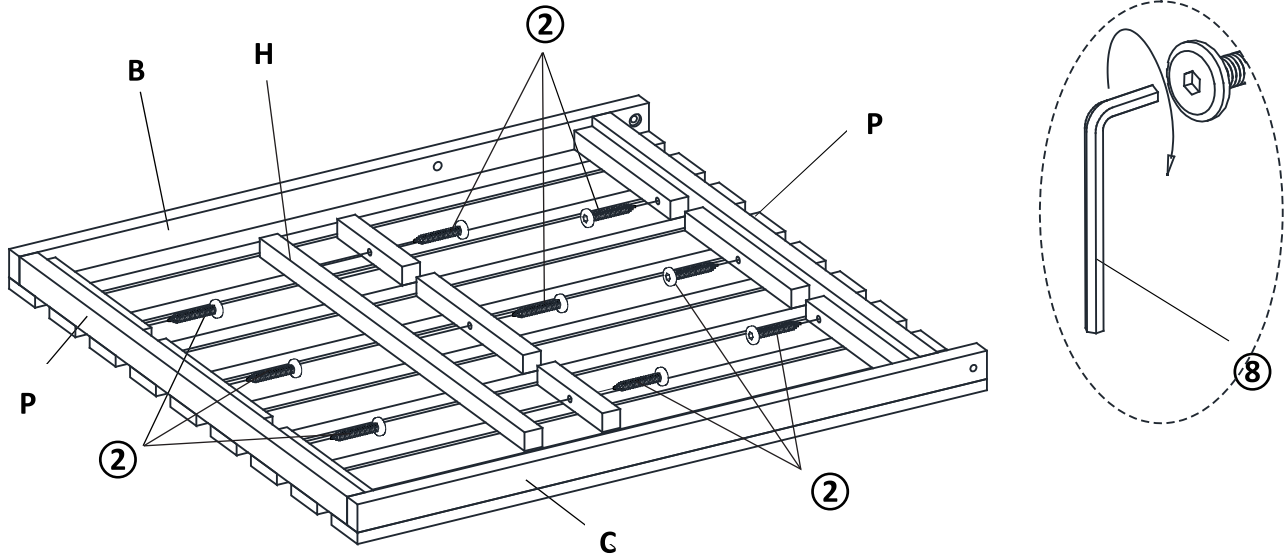
Step 10:



Place Left Backrest Frame (B), Middle Backrest Frame (D) and Right Backrest Frame (C) on a clean, non-marring surface.

Position the tenon of Backrest Support Bar (P) to the housing of Left Backrest Frame (B), Right Backrest Frame (C) and Middle Backrest Frame (D).

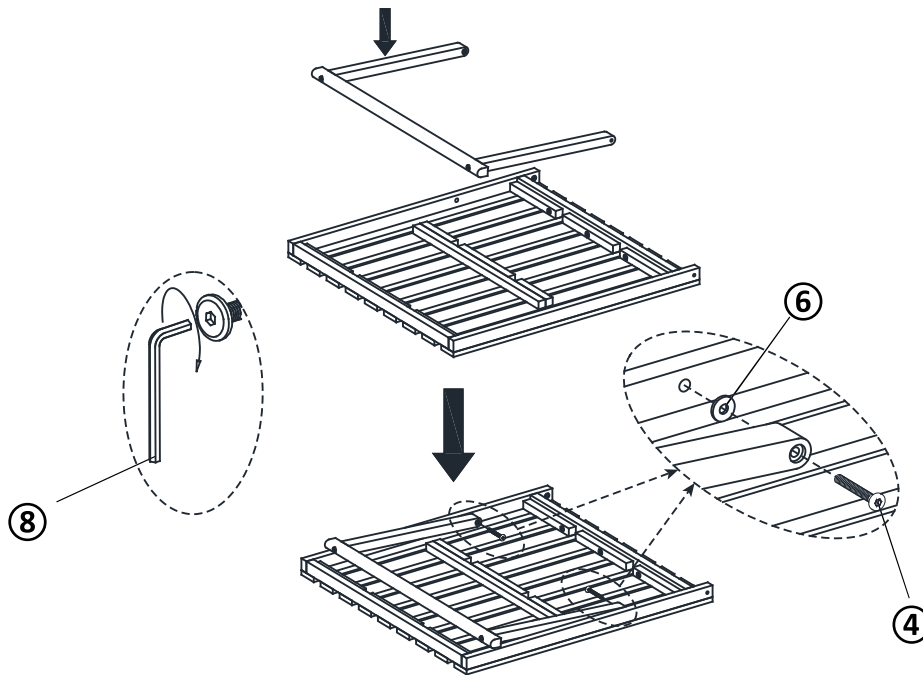
Step 11:



Attach the Middle Support Bar (H), Left Backrest Frame (B), Right Backrest Frame (C) and Backrest Support Bar (P) to assembled part in Step 10 by using Screws (2) and Allen Wrench (8).

Do not fully tighten the Screws at this time

Step 12:

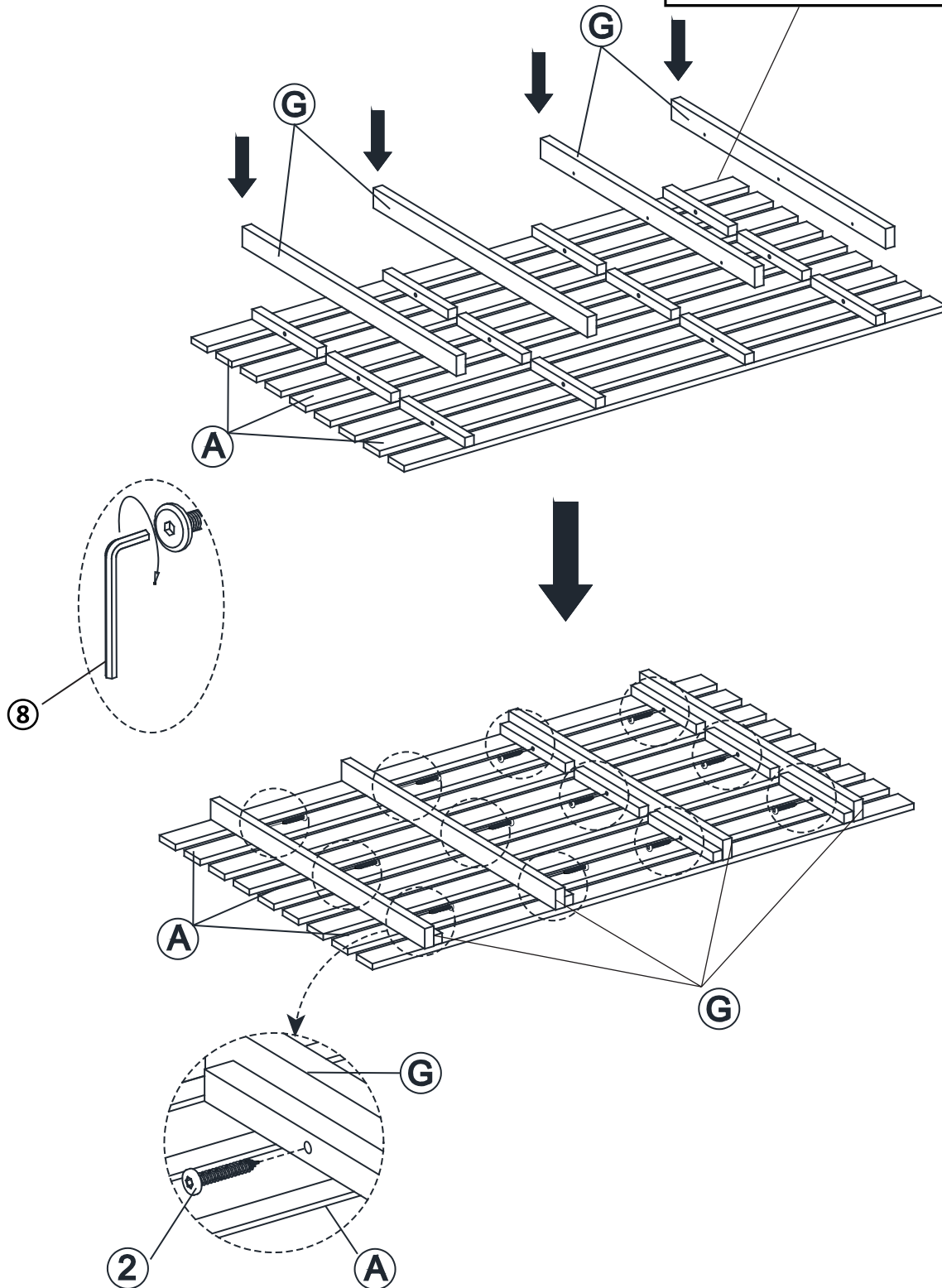


Attach the assembled part in Step 9 to assembled part in Step 11 by using Bolts (4), Washer Plastic (6) and Allen Wrench (8).

Do not fully tighten the Bolts at this time.

Step 13:

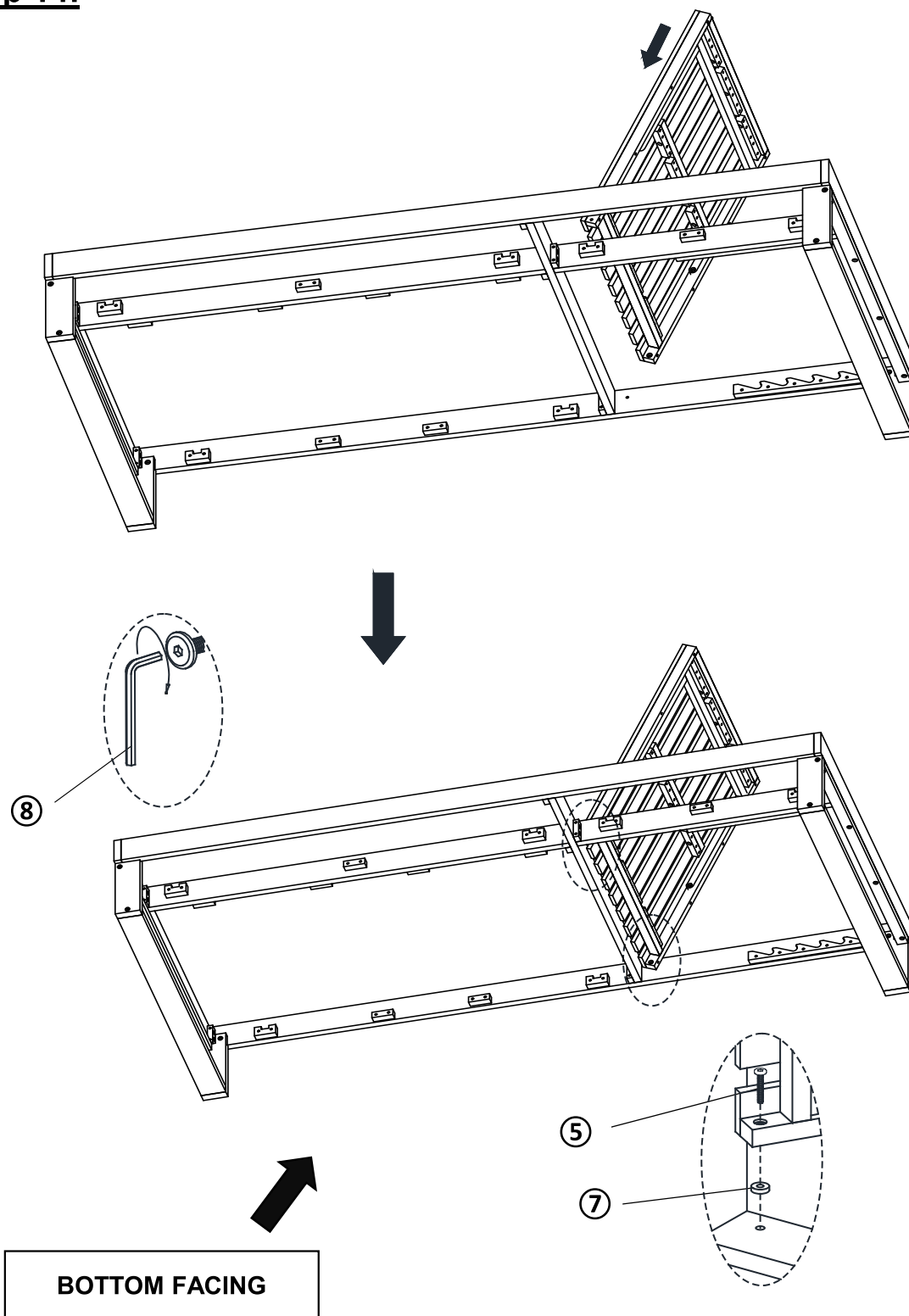
GROUP SEAT FRAME



Attach 4pcs Support Seat Frame (G) to 3pcs Seat Frame (A) by using Screws (2) and Allen Wrench (8).

Do not fully tighten the Screws at this time.

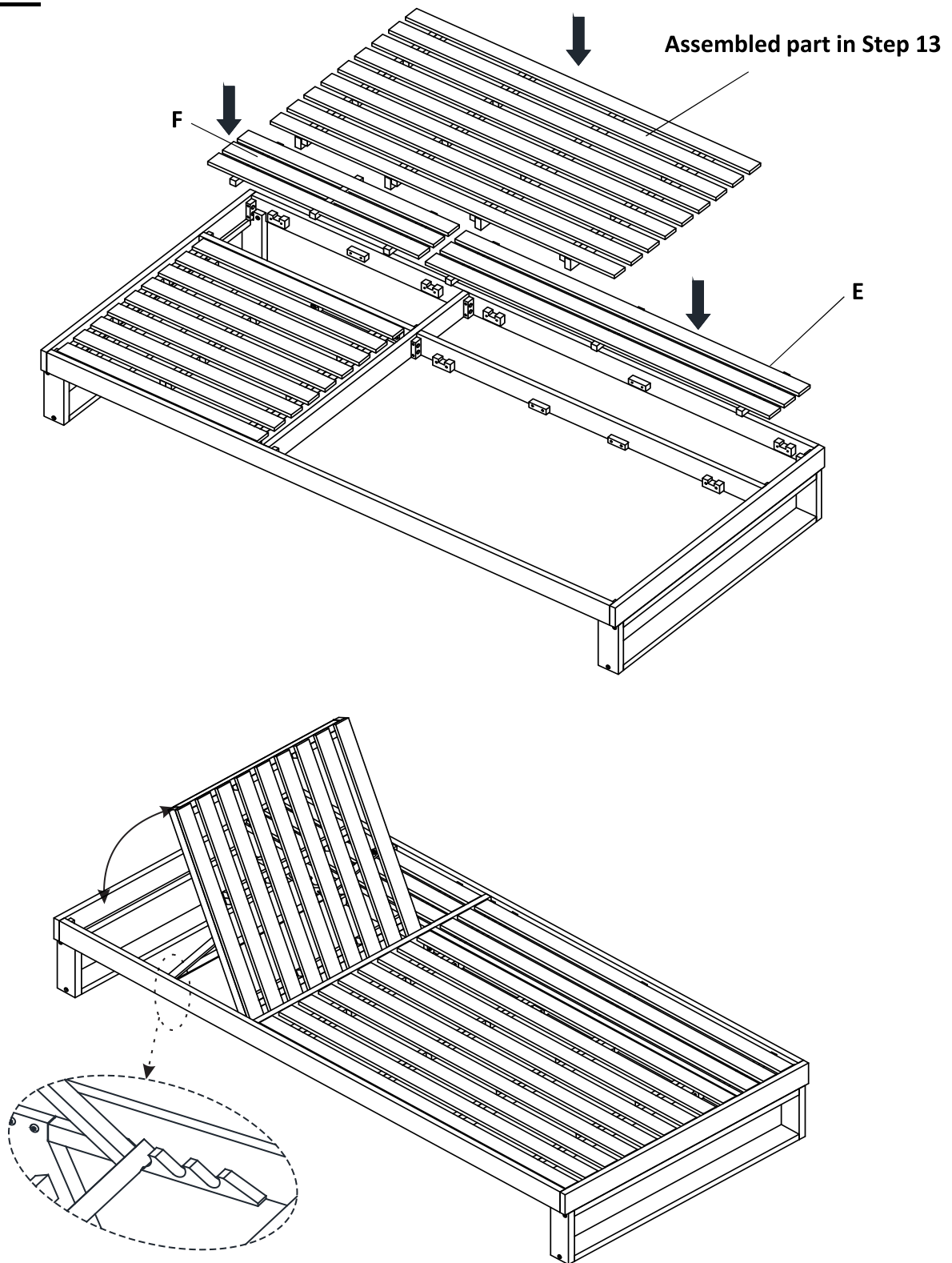
Step 14:



With the help of your adult partner, flip the assembled part in Step 8, then attach the assembled part in Step 12 to assembled part in Step 8 by using Bolts (5) , Washer Plastic (7) and Allen Wrench (8).

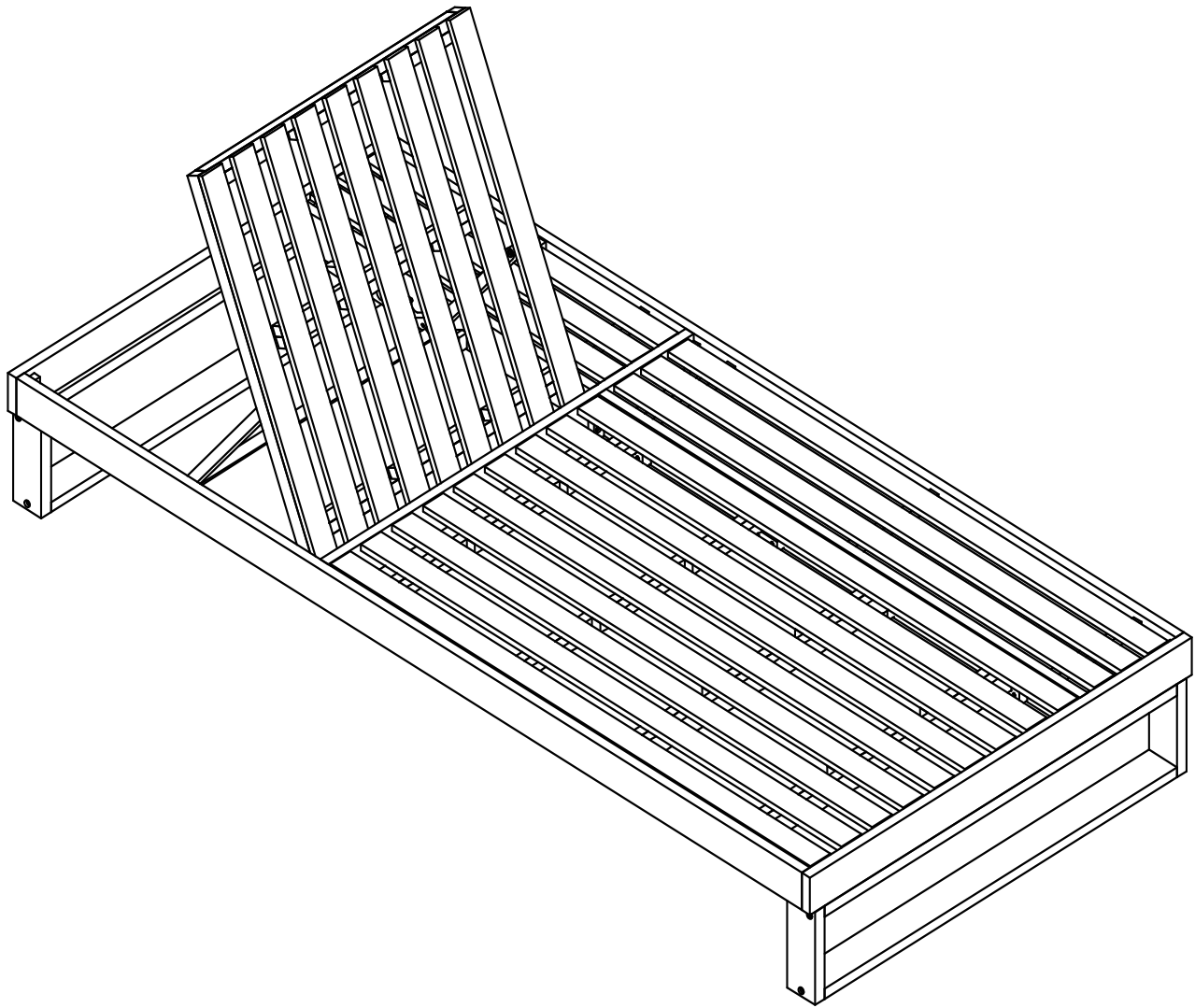
Do not fully tighten the Bolts at this time

Step 15:



With the help of your adult partner, flip the assembled part in Step 14, then attach Table Top 1 (E), Table Top 2 (F) and assembled part in Step 13 to assembled part in Step 14 as shown above.

Adjust the leveler to set the backrest angle.



Exert pressure floorwards, onto the Chaise Lounge with both your hands.
This pressure will help the Legs and Chaise Lounge Top reach full alignment status.
Check for wobbles on a LEVEL surface.
If no wobbles are found proceed to tighten the Bolts and Screws in a sequential manner, until evenly secured.
When tightening the Bolts and Screws tighten sequentially.
Do not tighten any Bolt or Screw fully and then move on towards the next one.
If there are still wobbles, loosen the Bolts and Screws and execute the same above process.

Your Chaise Lounge is ready for use.
This Chaise Lounge can only be used on a flat, level surface.

Questions & Answers about Proposition 65

- What is Proposition 65?

Proposition 65 requires businesses to provide warnings to Californians about significant exposures to chemicals that cause cancer, birth defects or other reproductive harm. These chemicals can be in the products that Californians purchase, in their homes or workplaces, or that are released into the environment. By requiring that this information be provided, Proposition 65 enables Californians to make informed decisions about their exposures to these chemicals.

Proposition 65 also prohibits California businesses from knowingly discharging significant amounts of listed chemicals into sources of drinking water.

Proposition 65 requires California to publish a list of chemicals known to cause cancer, birth defects or other reproductive harm. This list, which must be updated at least once a year, has grown to include approximately 900 chemicals since it was first published in 1987.

- What types of chemicals are on the Proposition 65 list?

The list contains a wide range of naturally occurring and synthetic chemicals that include additives or ingredients in pesticides, common household products, food, drugs, dyes, or solvents. Listed chemicals may also be used in manufacturing and construction, or they may be byproducts of chemical processes, such as motor vehicle exhaust.

- What does a warning mean?

If a warning is placed on a product label or posted or distributed at a workplace, a business, or in rental housing, the business issuing the warning is aware or believes that it is exposing individuals to one or more listed chemicals.

By law, a warning must be given for listed chemicals unless the exposure is low enough to pose no significant risk of cancer or is significantly below levels observed to cause birth defects or other reproductive harm.

- Where can I get more information on Proposition 65?

If you have specific questions on the administration or implementation of Proposition 65, you can contact OEHHA's Proposition 65 program at P65.Questions@oehha.ca.gov, or by phone at (916) 445-6900.