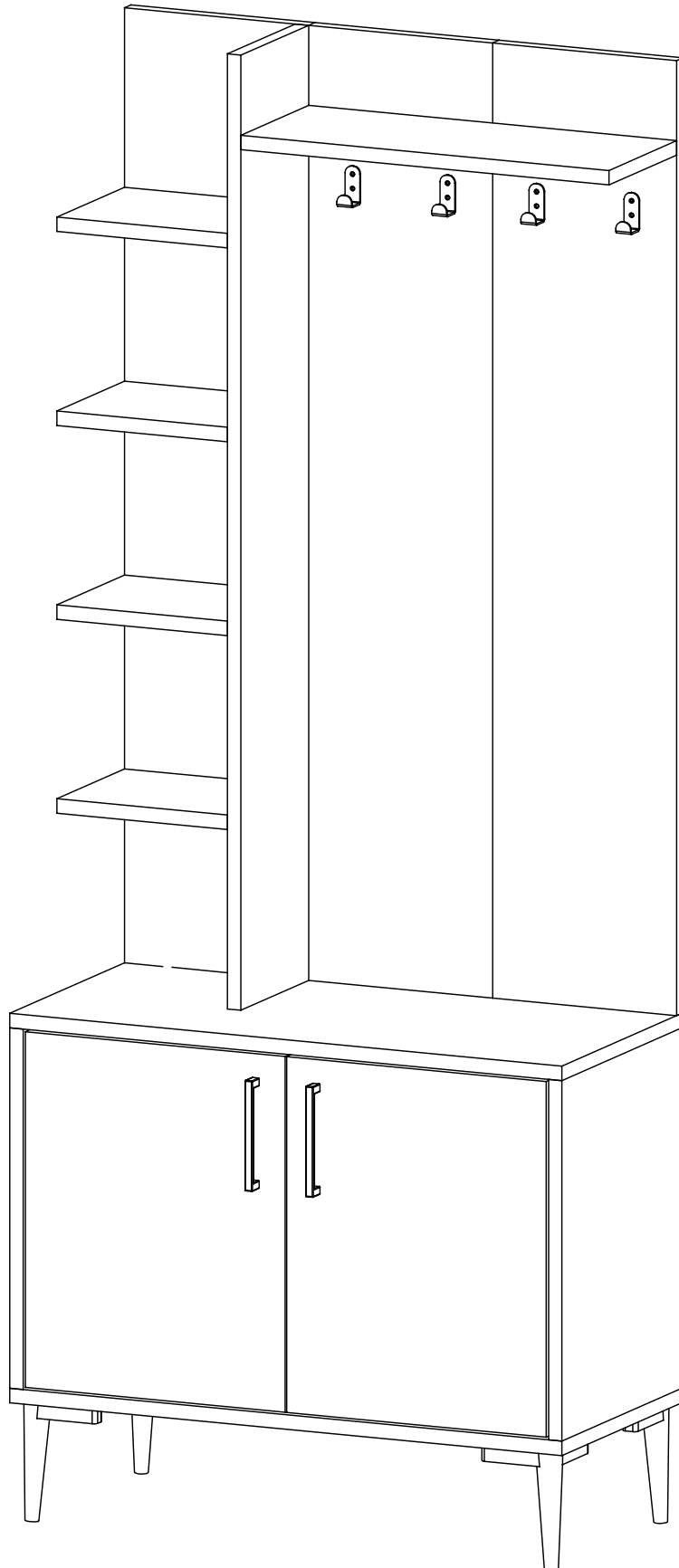
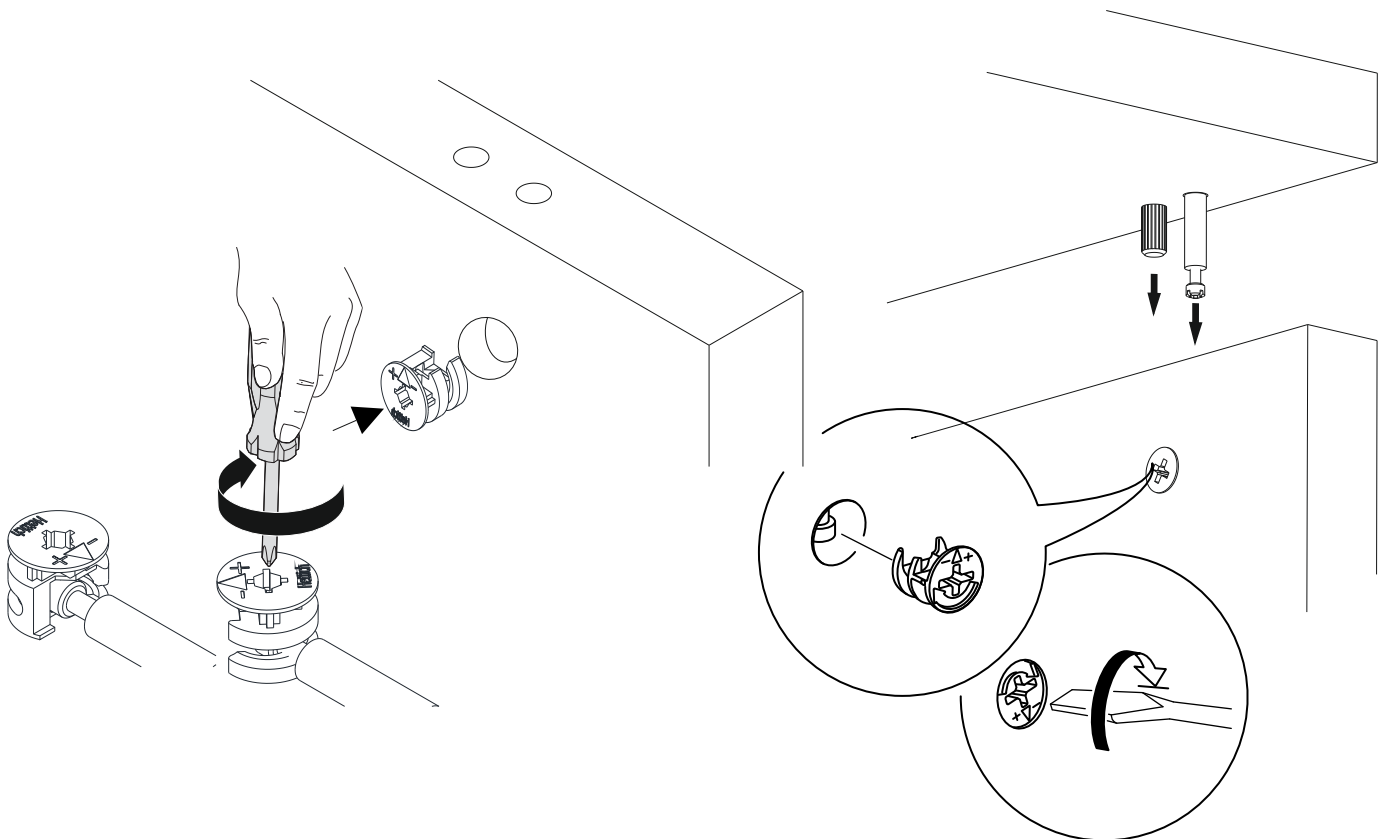
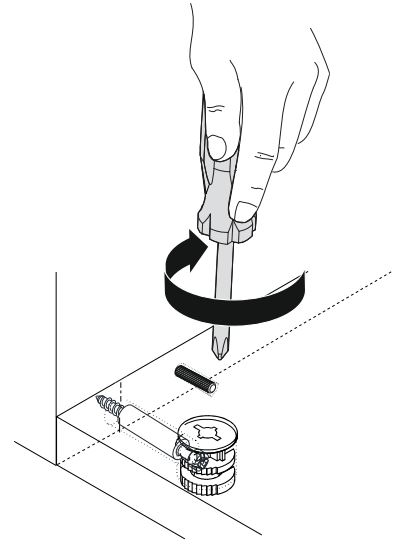
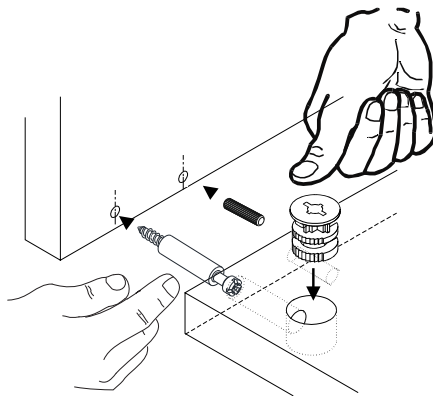
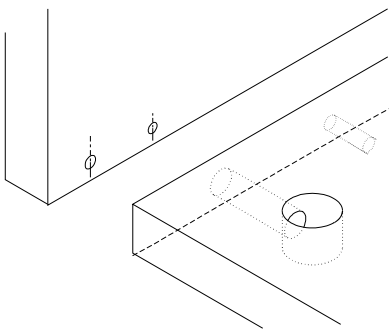
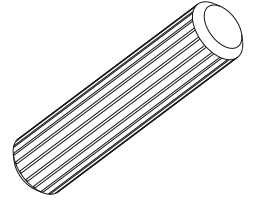
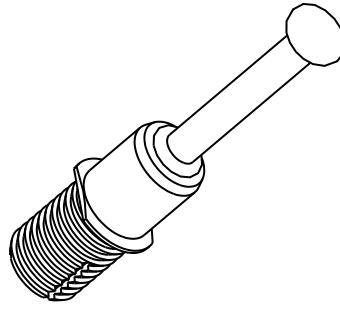
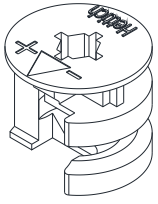
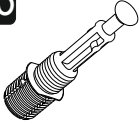

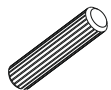
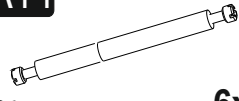




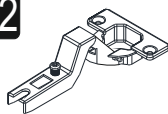
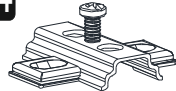
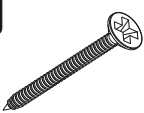

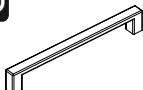
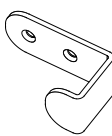
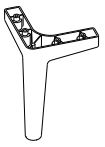






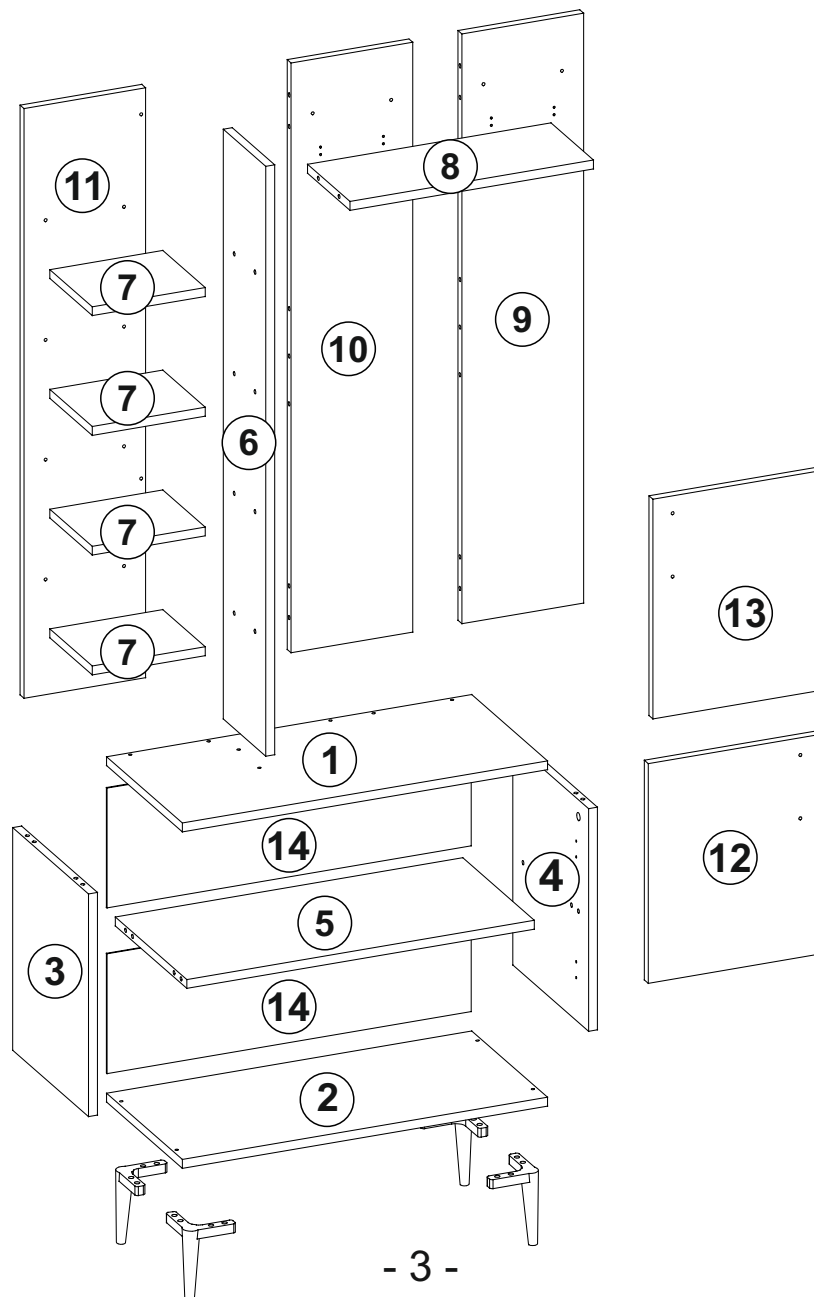
Coat Rack



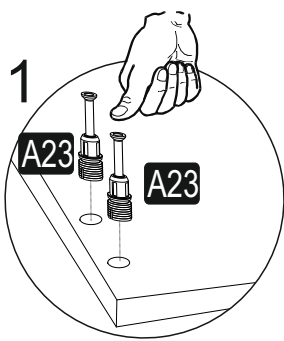


Coat Rack

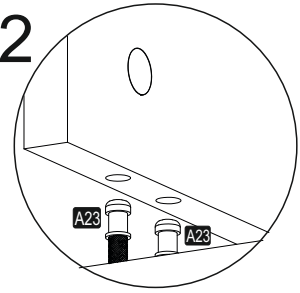
A23  18x	A22  30x	A04  16x	A14  86 mm 6x	A41  3,5x25 16x
A48  50x AC	A20  8x 3,5x18 SYH	A18  16x 3,5x18	C02  4x SDM	C04  4x MA
A17  28x 4x50	A49  4x KV	K13  2x 128mm SYH	F07  4x DJA SYH	A99  4x MINA 15 cm SYH
A06  27x 18 mm 1. RNK	A10  16x 14mm 1. RNK	A06  3x 18 mm 2. RNK	A10  12x 14mm 2. RNK	



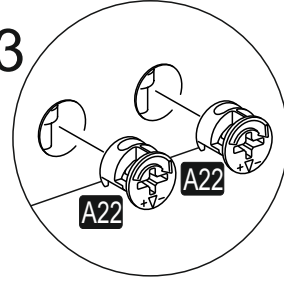
1



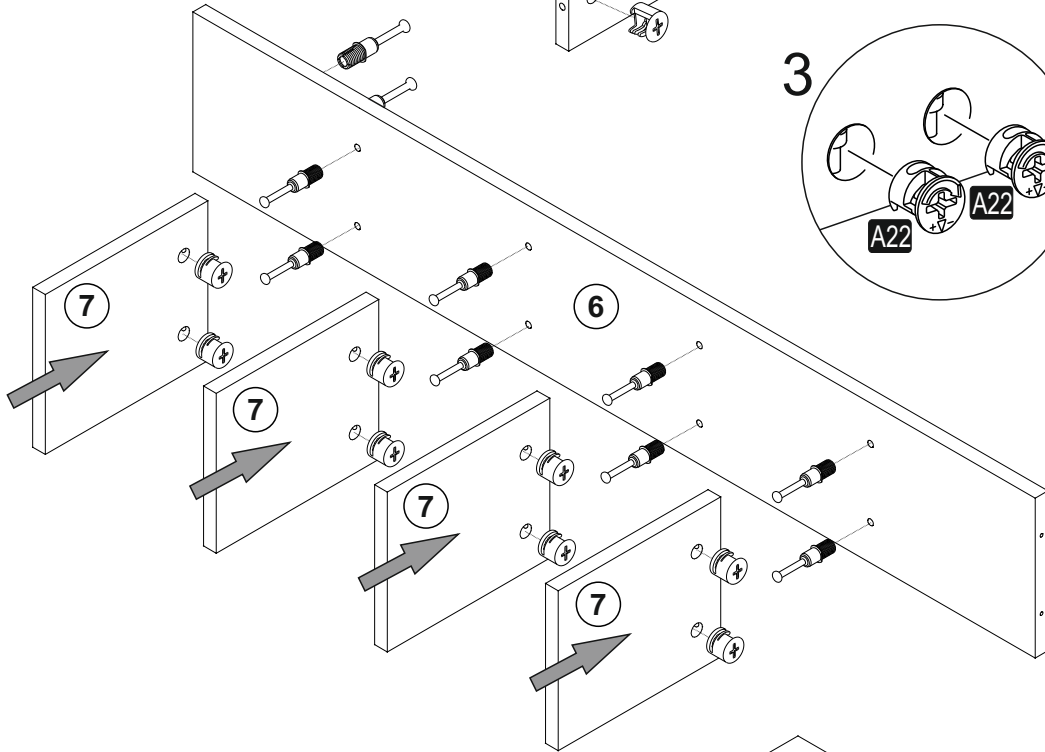
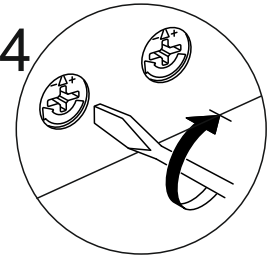
2



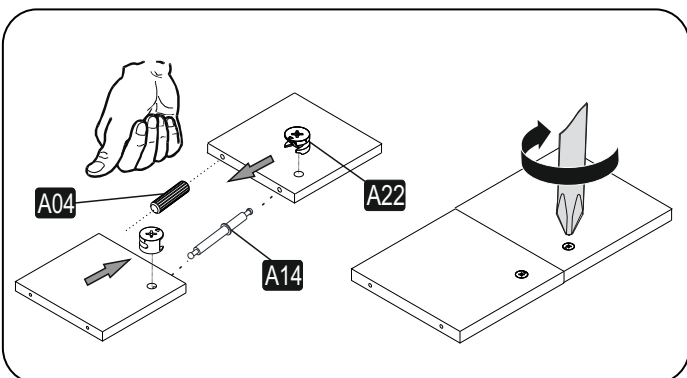
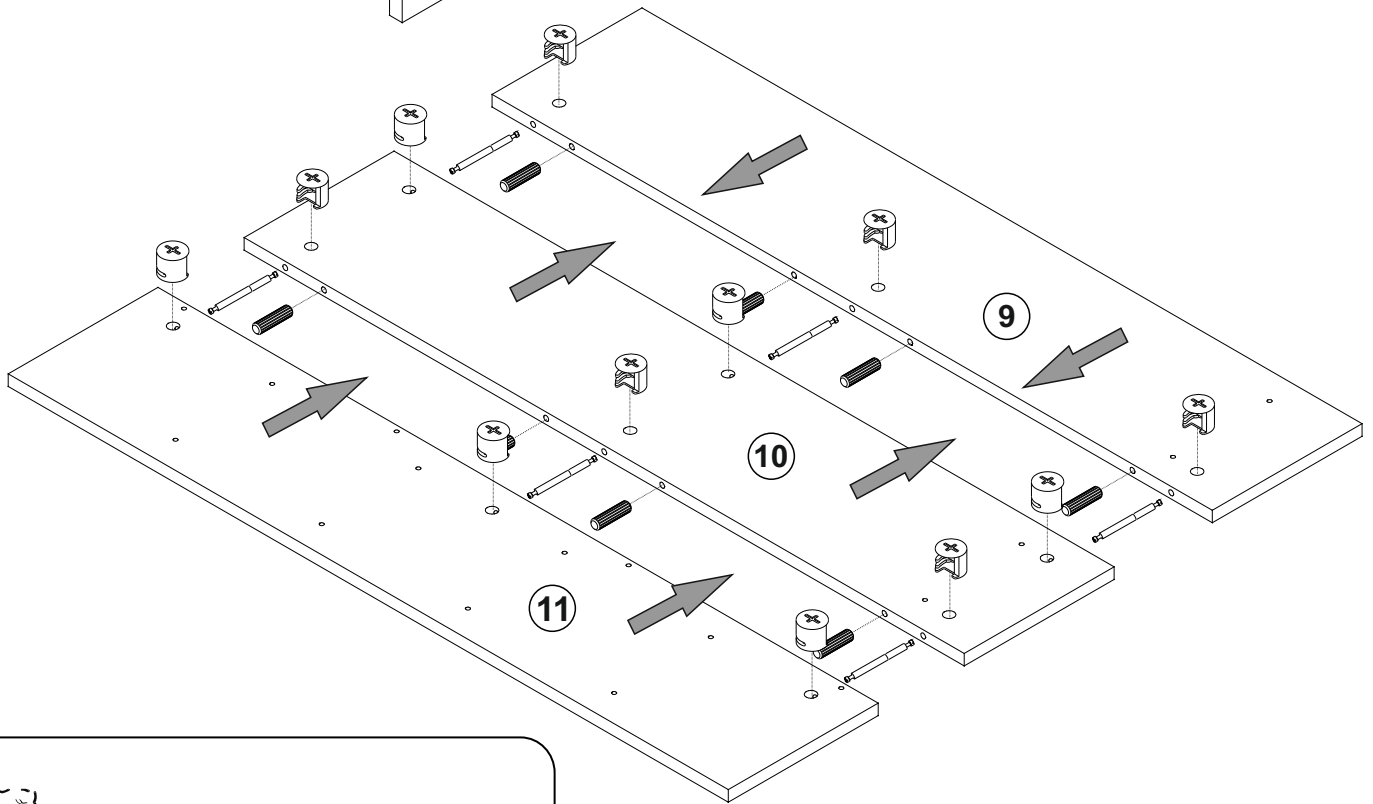
3



4

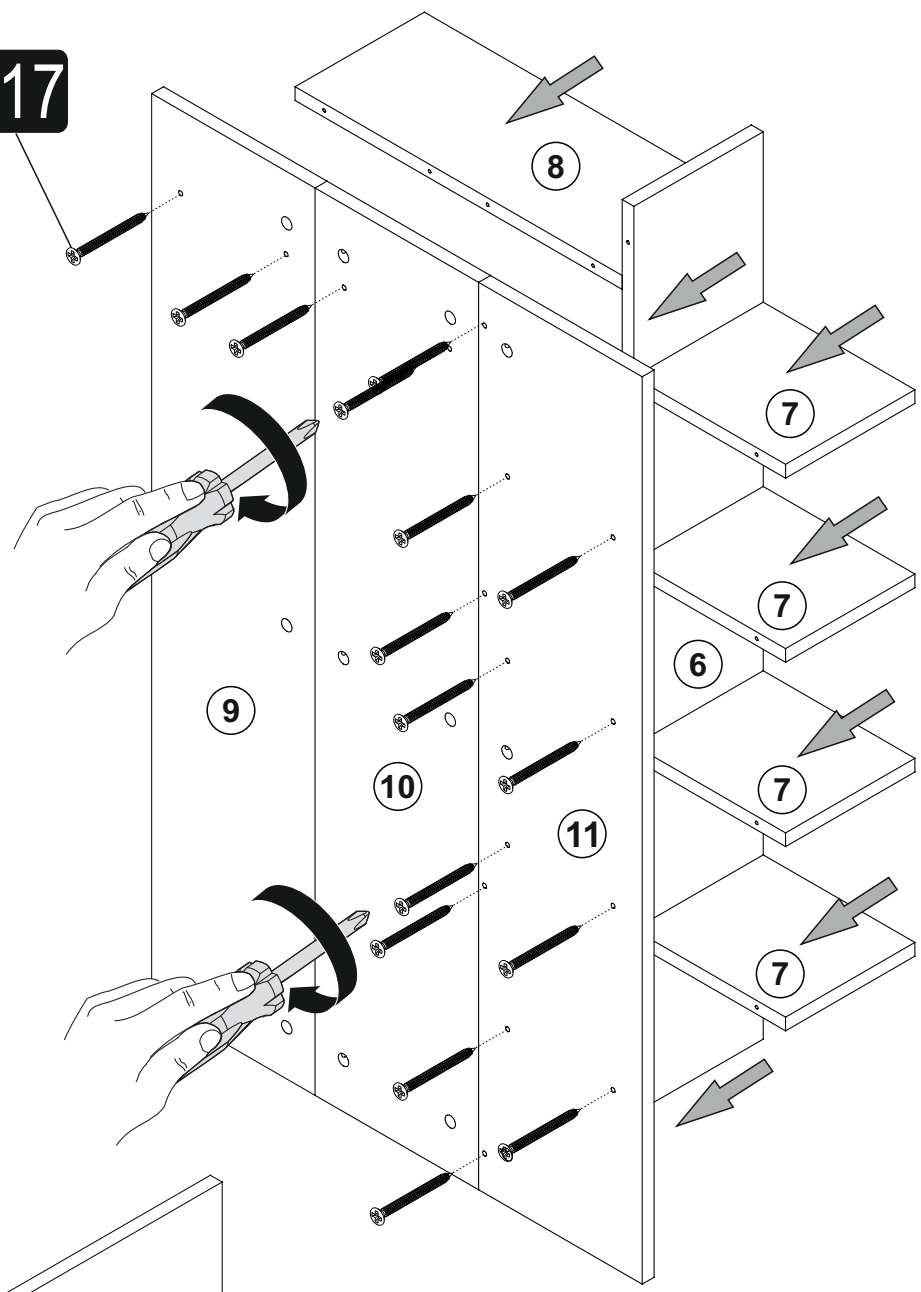


2

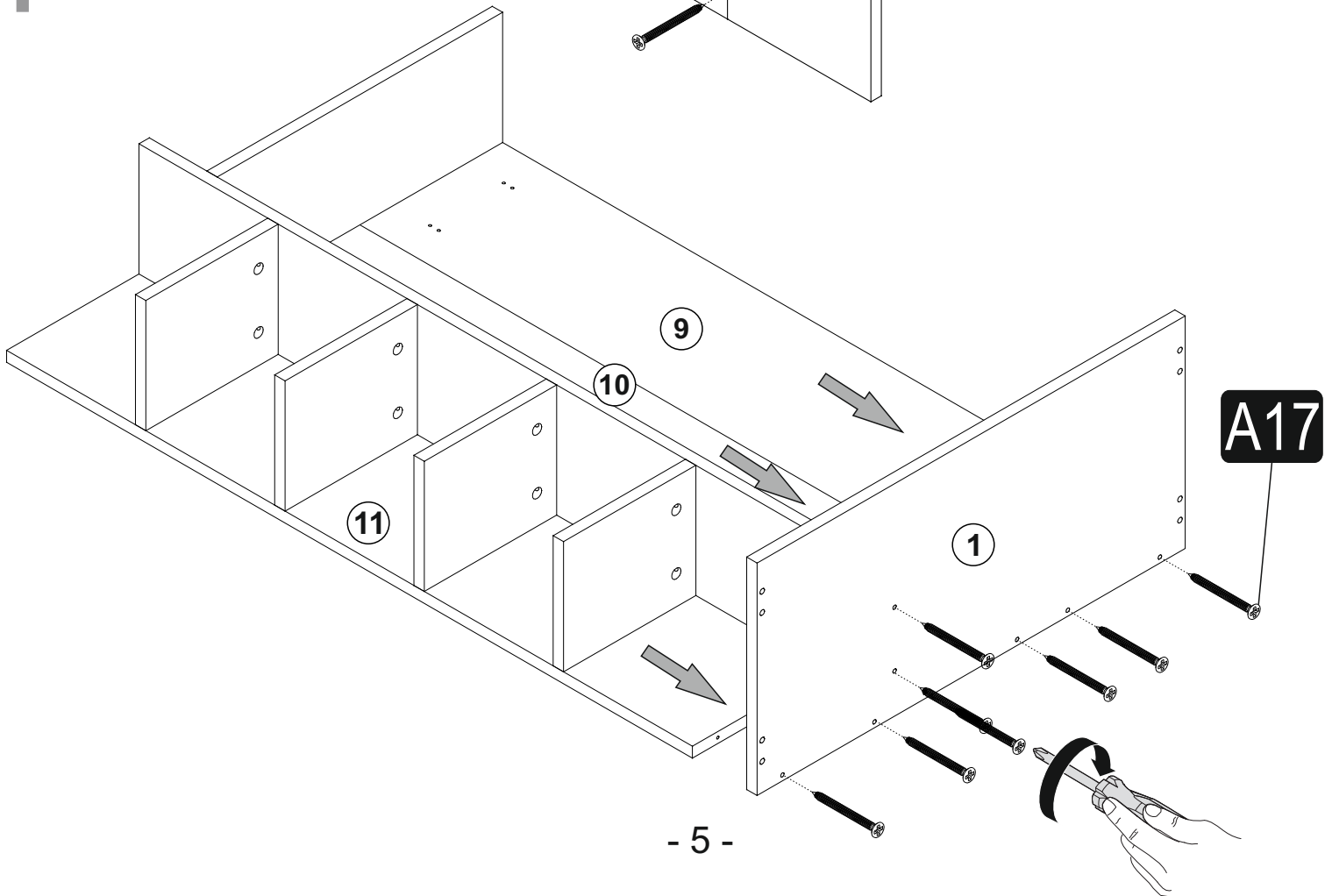


3

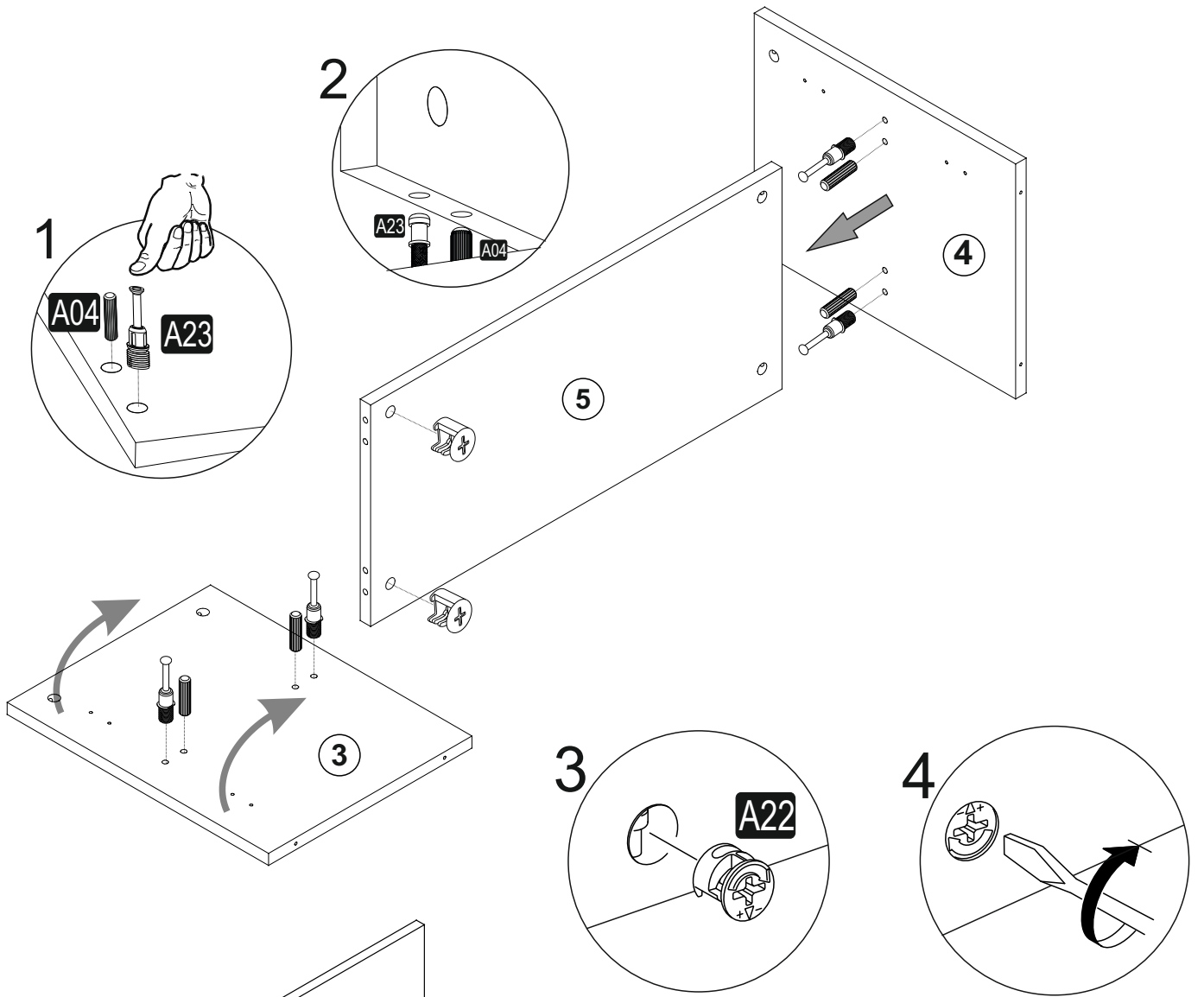
A17



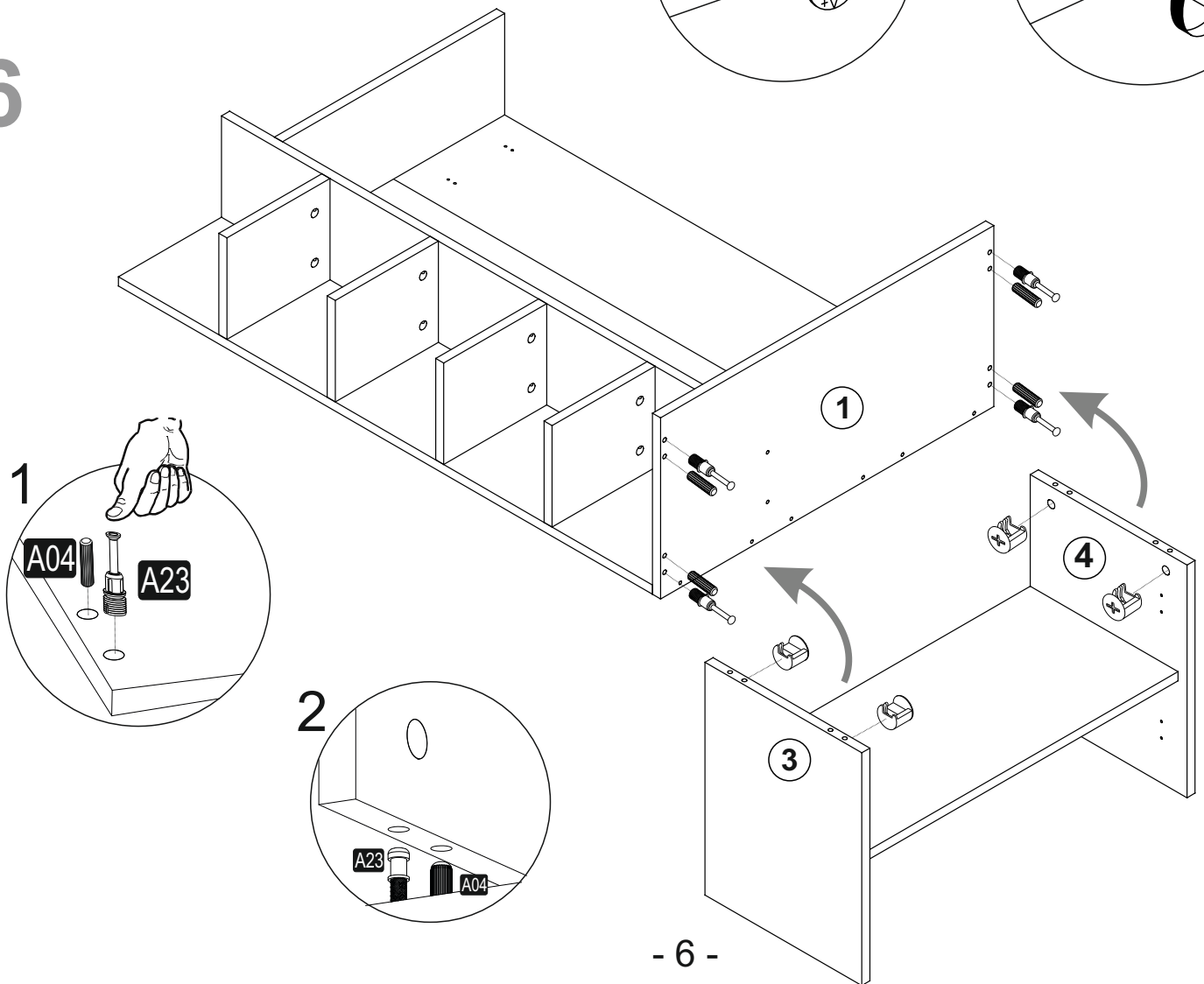
4



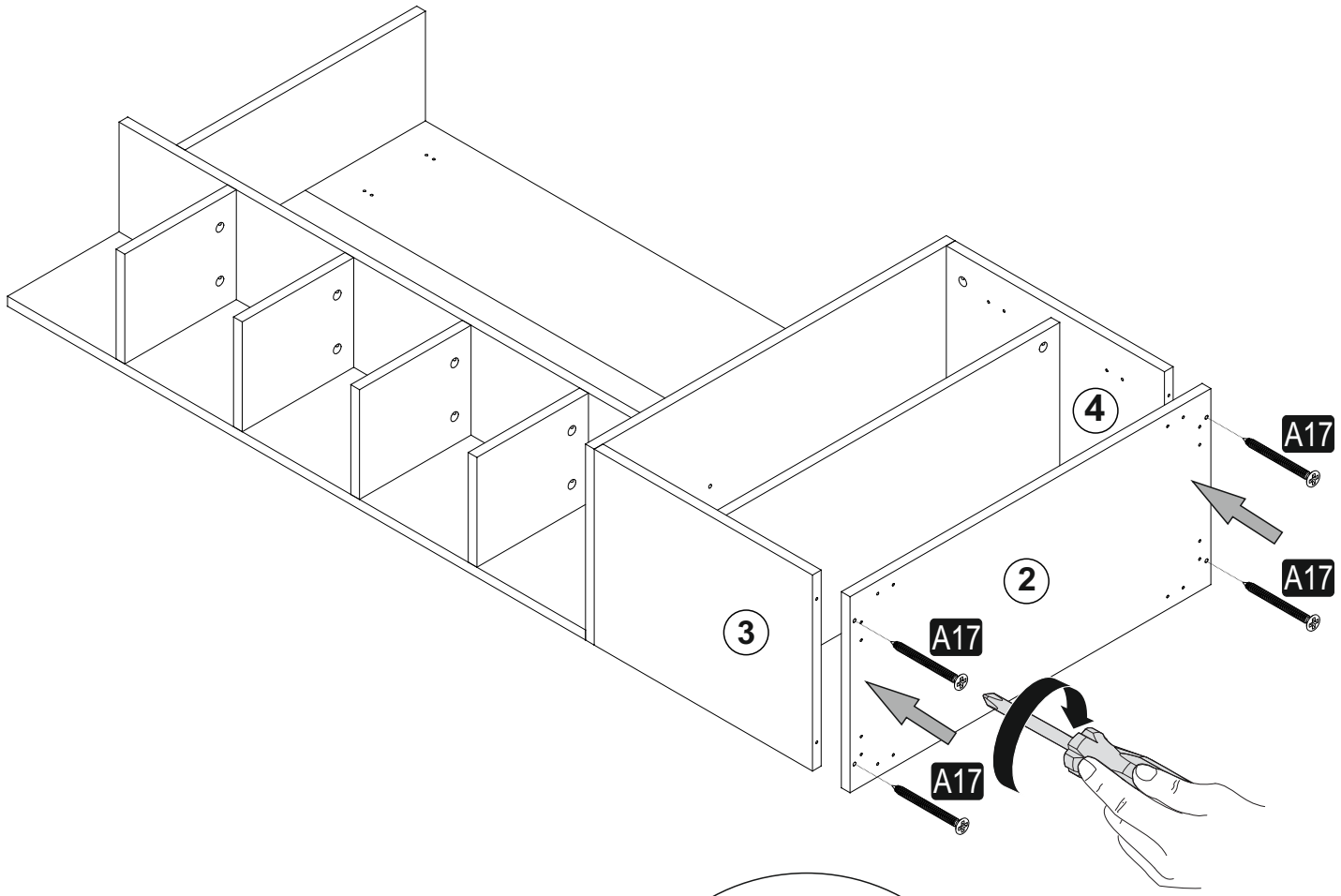
5



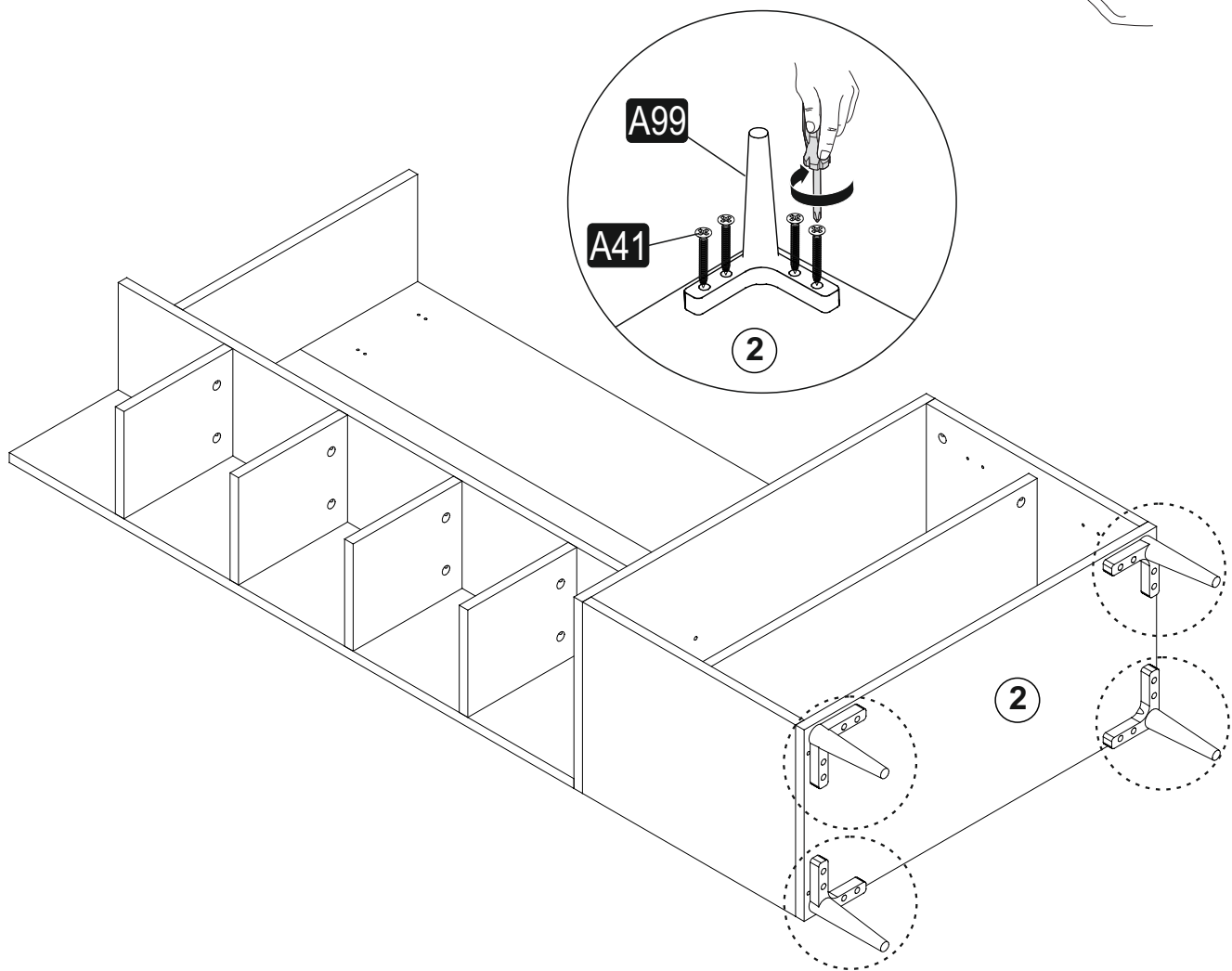
6



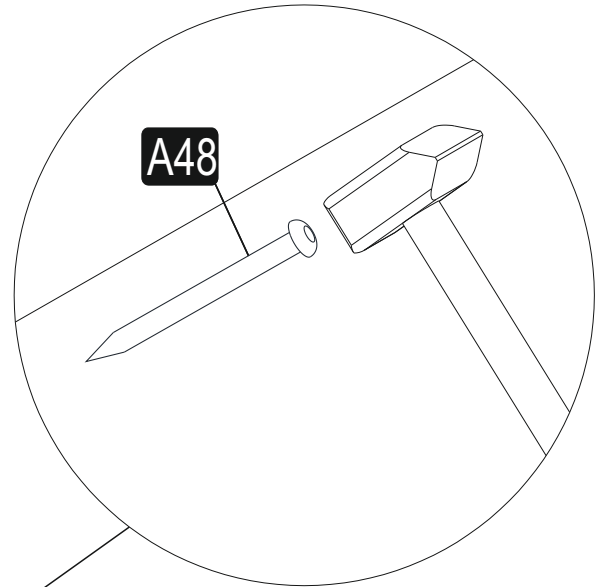
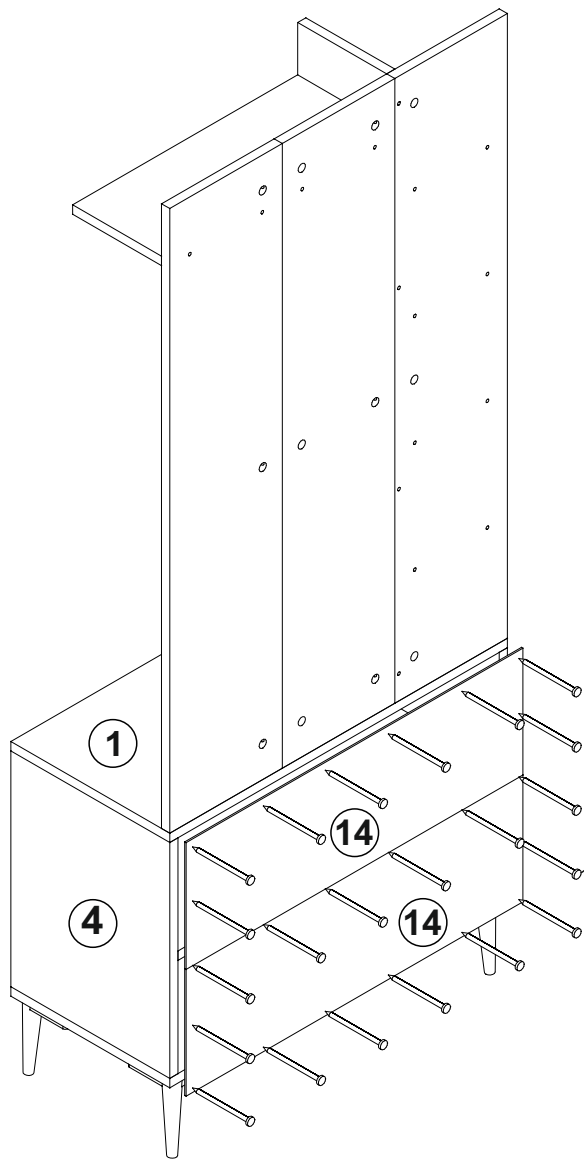
7



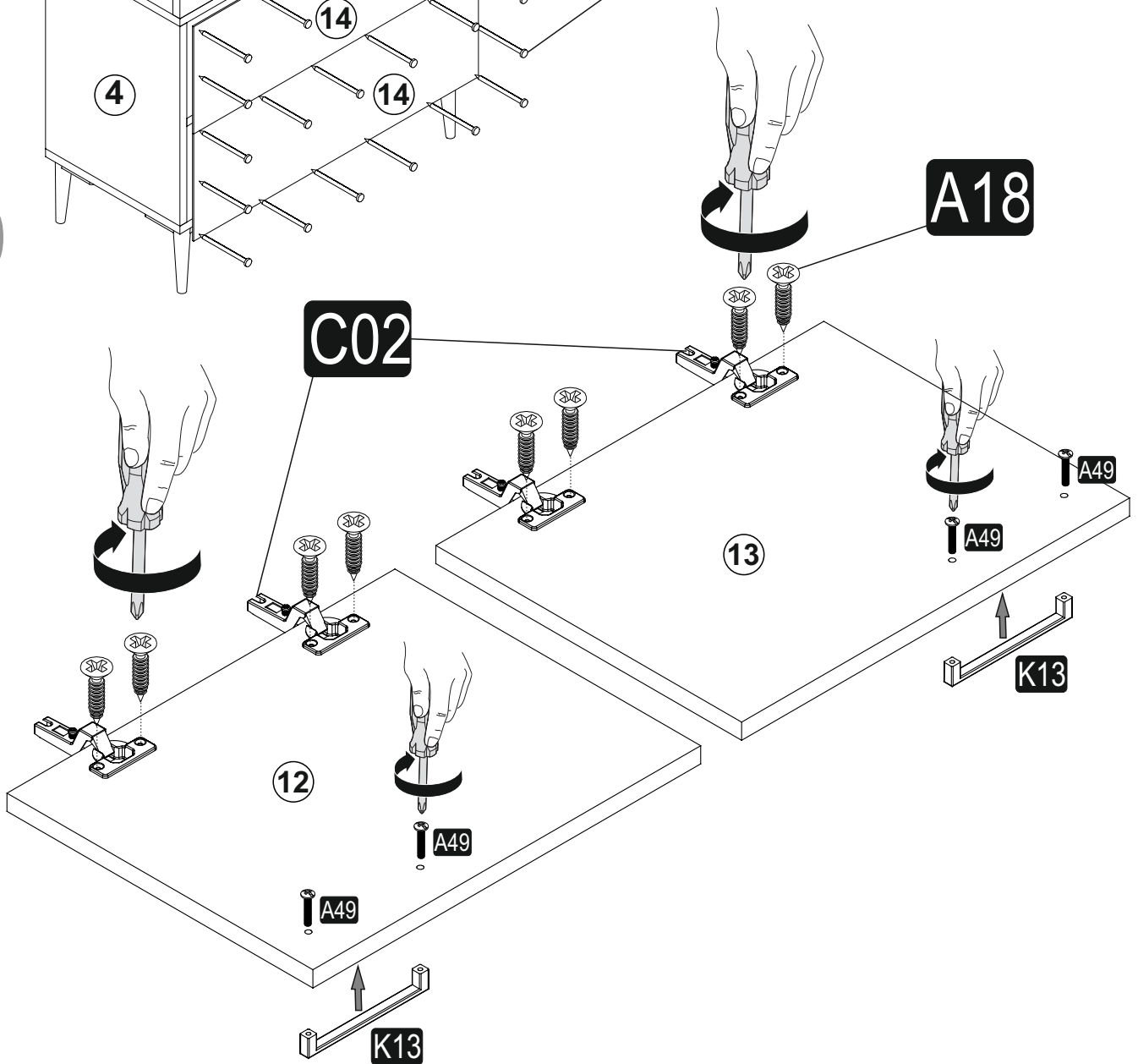
8



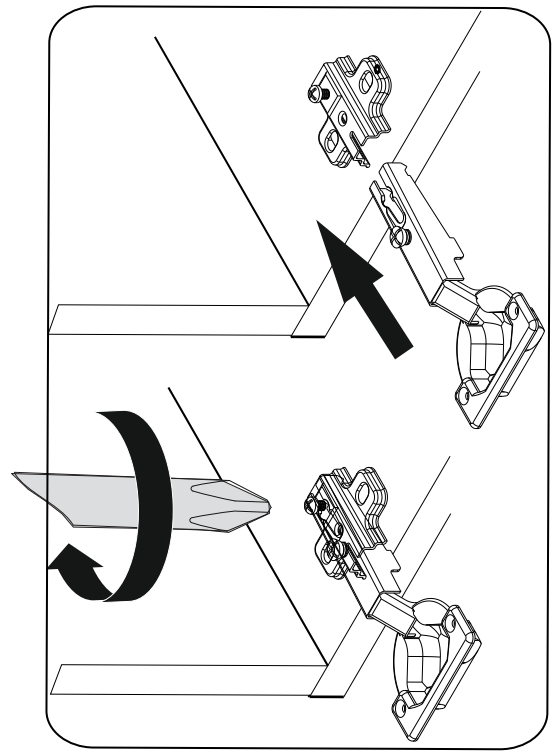
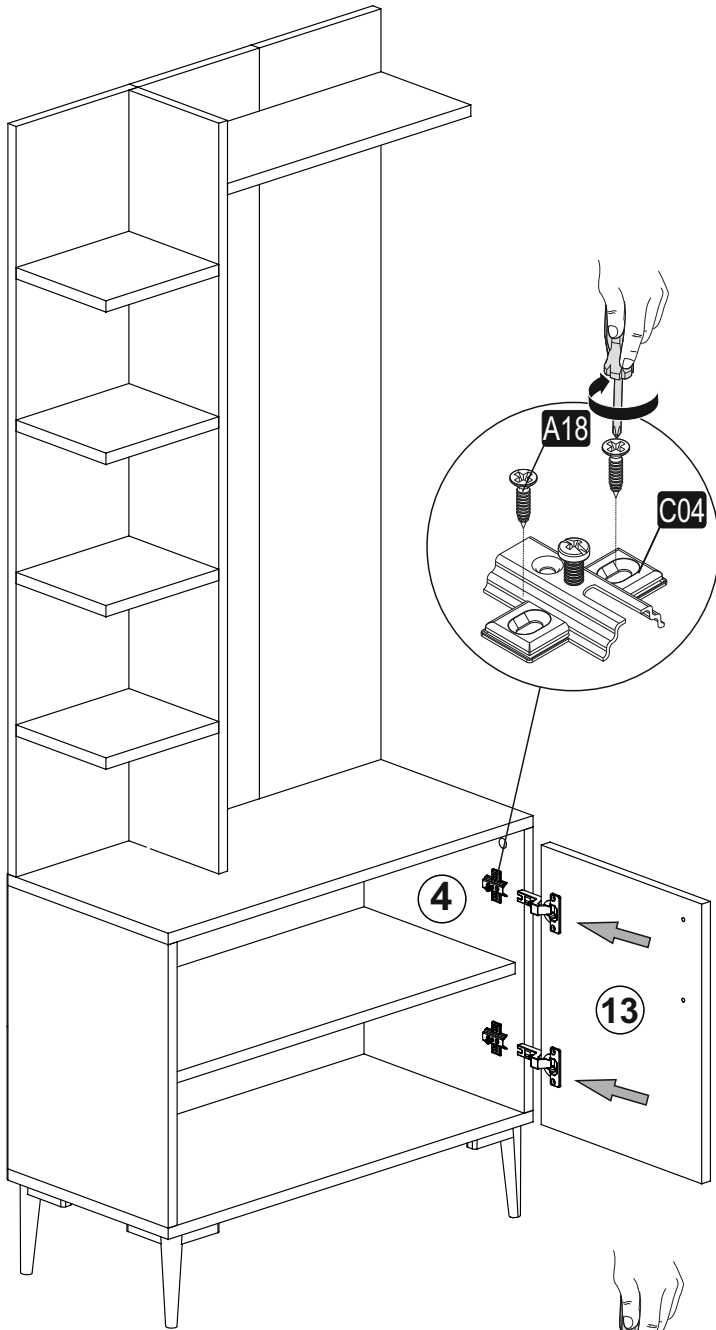
9



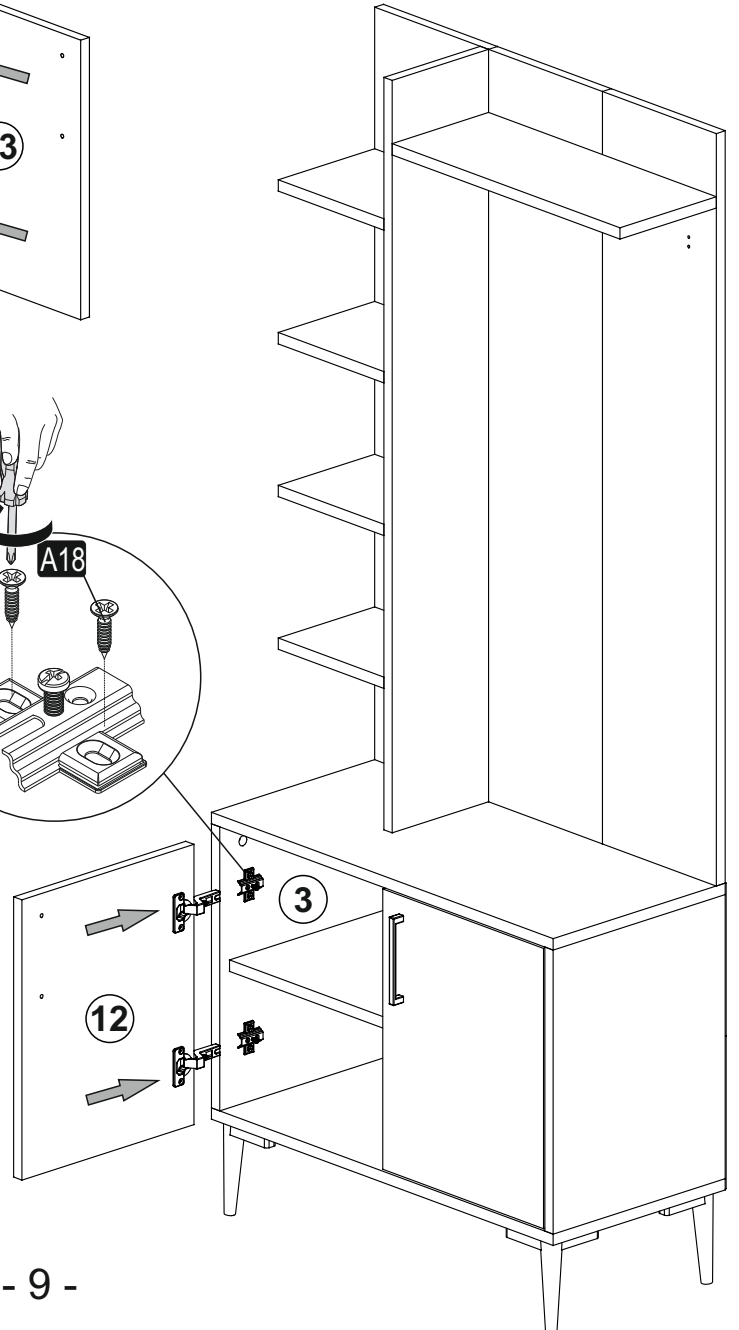
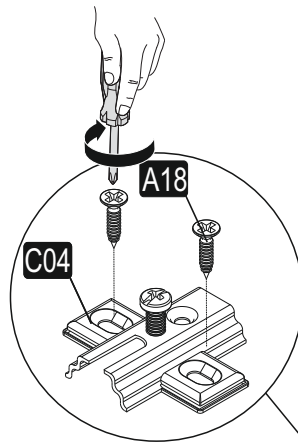
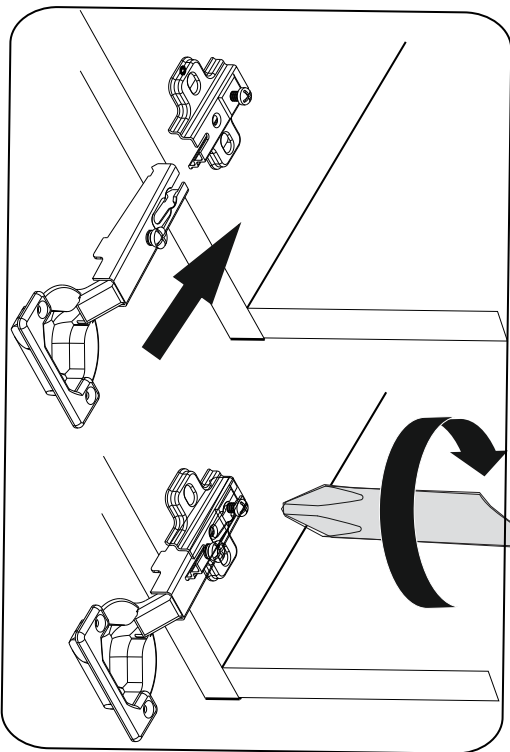
10



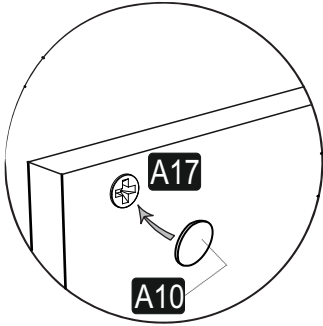
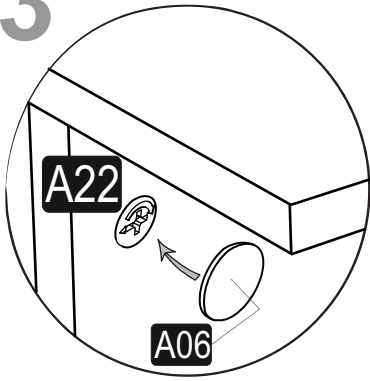
11



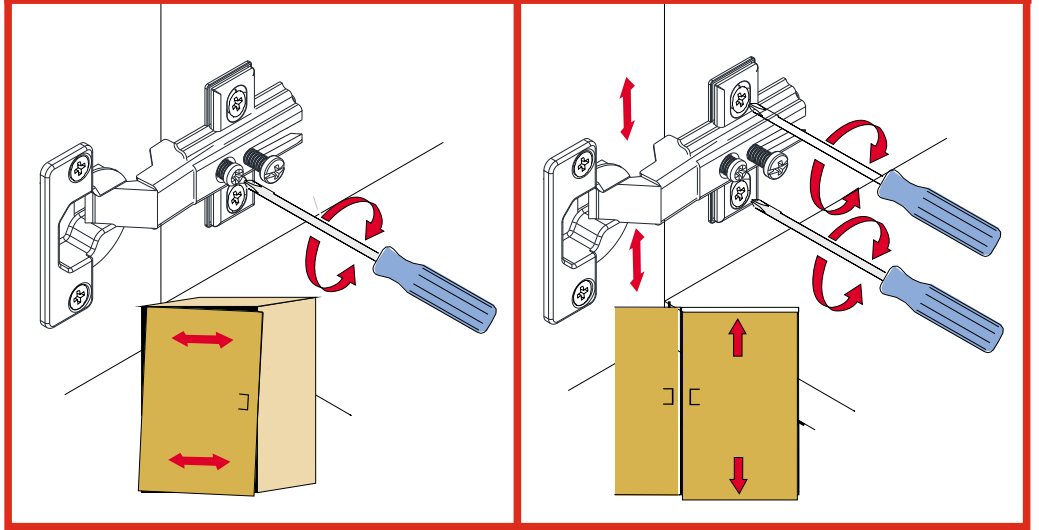
12



13



Kapak menteşe ayarı Door hinge setting



14

