
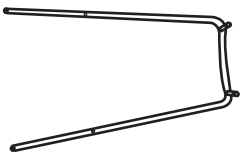
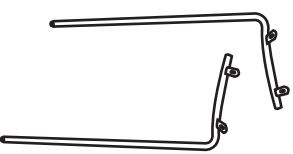






# ASSEMBLE INSTRUCTION

Ax1	
Bx1	
Cx2	
Dx1	
Ex4	
Fx4	 M6*25
Gx4	 M6*16
Hx2	 M6*14
Ix1	