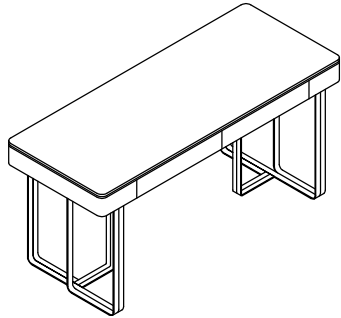
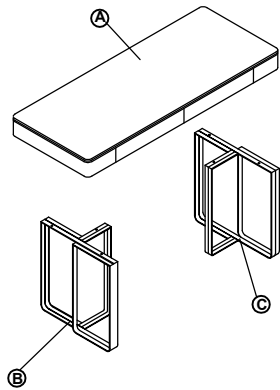


ASSEMBLY INSTRUCTIONS



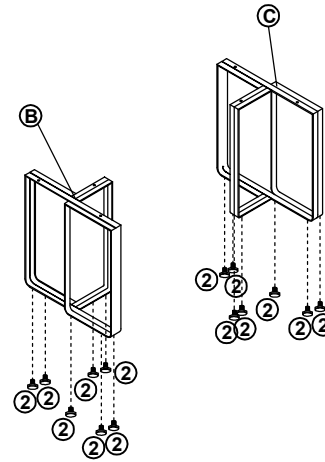
PART LIST



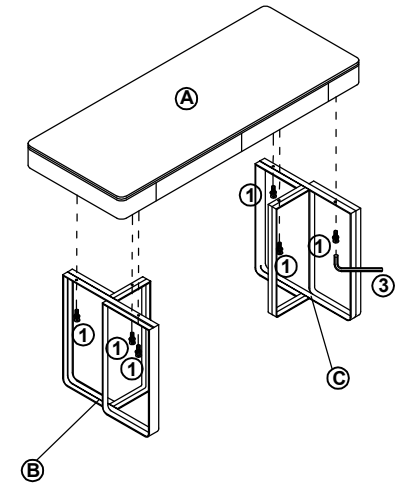
①	X6
②	X14
③	X1

1-2

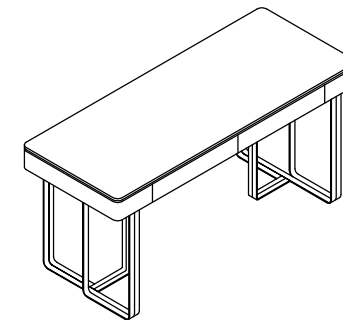
STEP 1



STEP 2



STEP 3



2-2