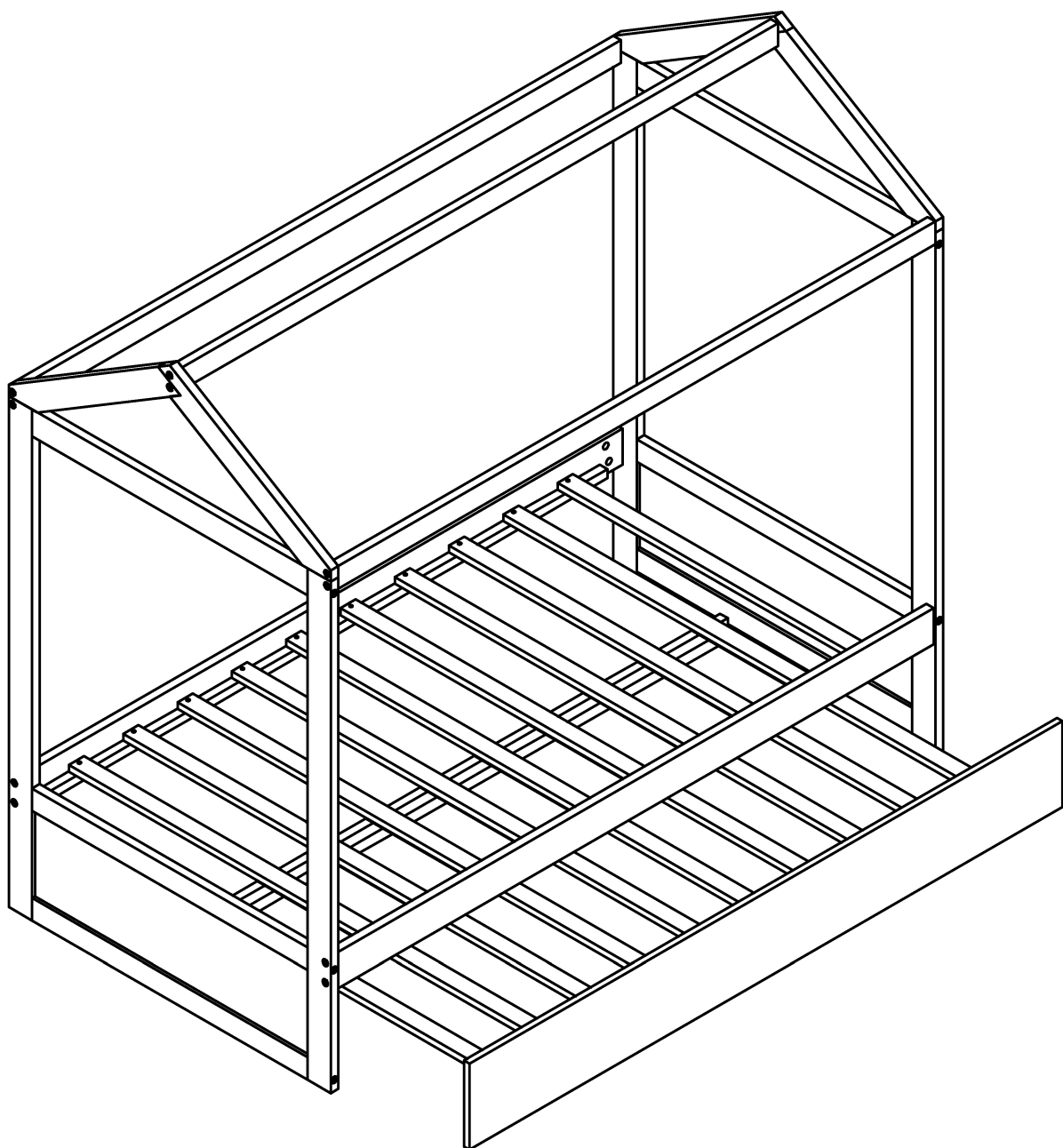
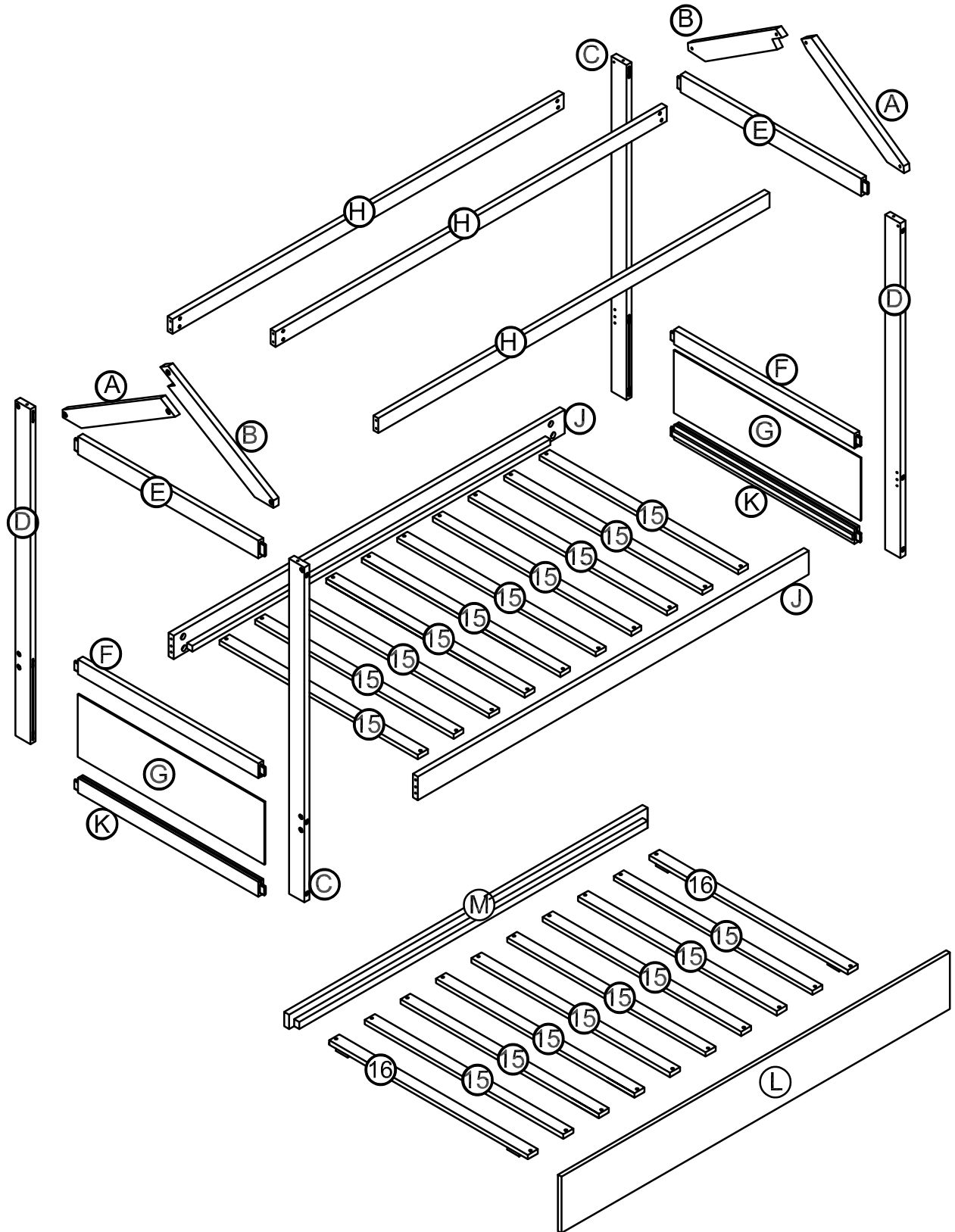


ASSEMBLY INSTRUCTIONS


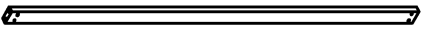
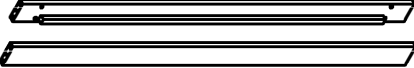
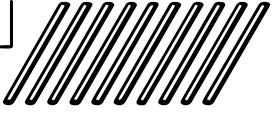


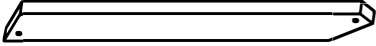
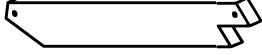
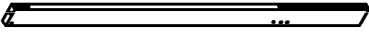
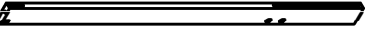
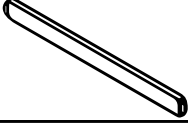
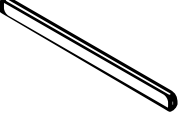


BEDHOUSE WITH TRUNDLE











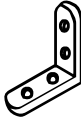
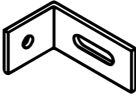
DETAIL VIEW



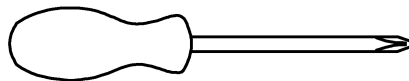
PART LISTS

G 	H 	J 
Side panel - 2pcs	Guard rail top 3pcs	Side rail upper -2pcs
15 	L 	M 
Upper slat - 18pcs	Drawer front - 1pc	Drawer back - 1pc
A 	B 	C 
Cap for lower HB&FB-2pcs	Cap for upper HB&FB-2pcs	Upper leg HB&FB -2pcs
D 	E 	F 
Upper leg HB&FB -2pcs	Horizontal bar HB&FB-2pcs	Horizontal bar HB&FB-2pcs
K 	16 	
Horizontal bar HB&FB-2pcs	Upper slat - 2pcs	

HARDWARE LISTS

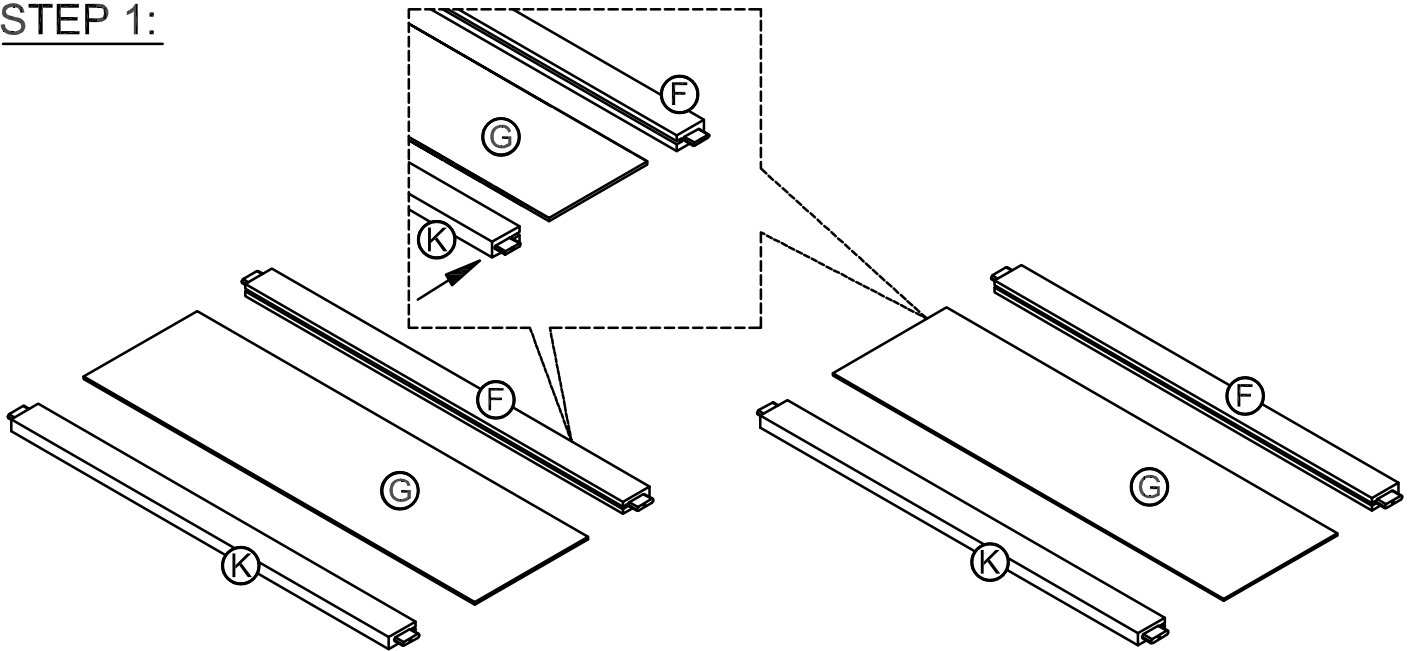
1  Ø10 x 40 mm Wood dower (8pcs)	2  Ø1/4" x 80 mm Hex-Head bolts (20pcs)	3  Ø6" x 80 mm Wood Screws (12pcs)
5  Ø9.5x13mm Horizontal-Hole bolts (20pcs)	6  # 4 x 30mm Wood Screws (44pcs)	7  # 4 x 15mm Wood Screws (24pcs)
8  Wheels Ø32 (4pcs)	9  (1/4")4.5*58mm Allen Key (1pc)	10  Pass L: Ø1/4" - (3pcs)
11  Angle Metal (2pcs)		

ASSEMBLY TOOLS REQUIRED (NOT INCLUDED)



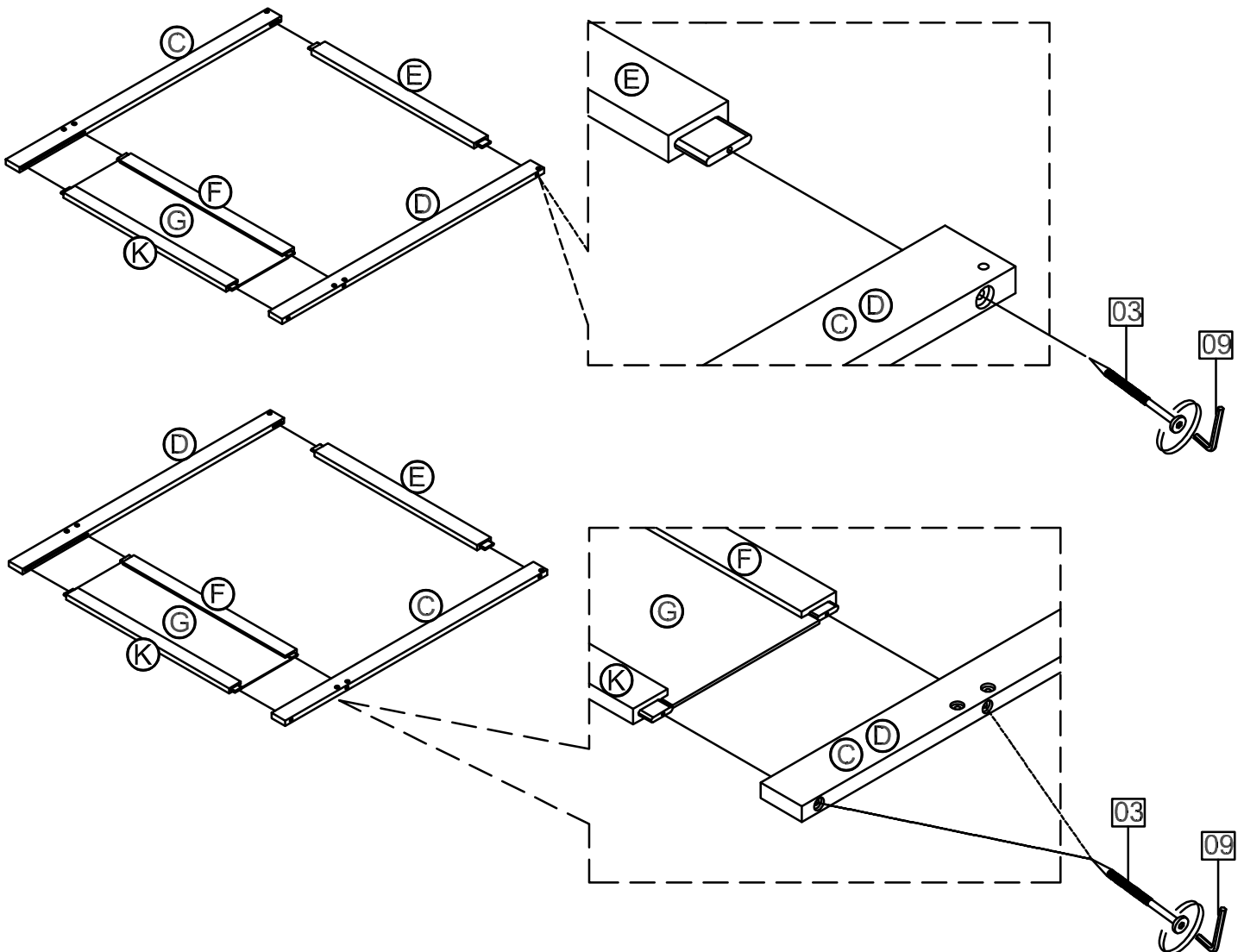
PLEASE BE CAREFUL DO NOT DAMAGE THE HOLE POSITION WHEN YOU USE POWER TOOLS !

STEP 1:






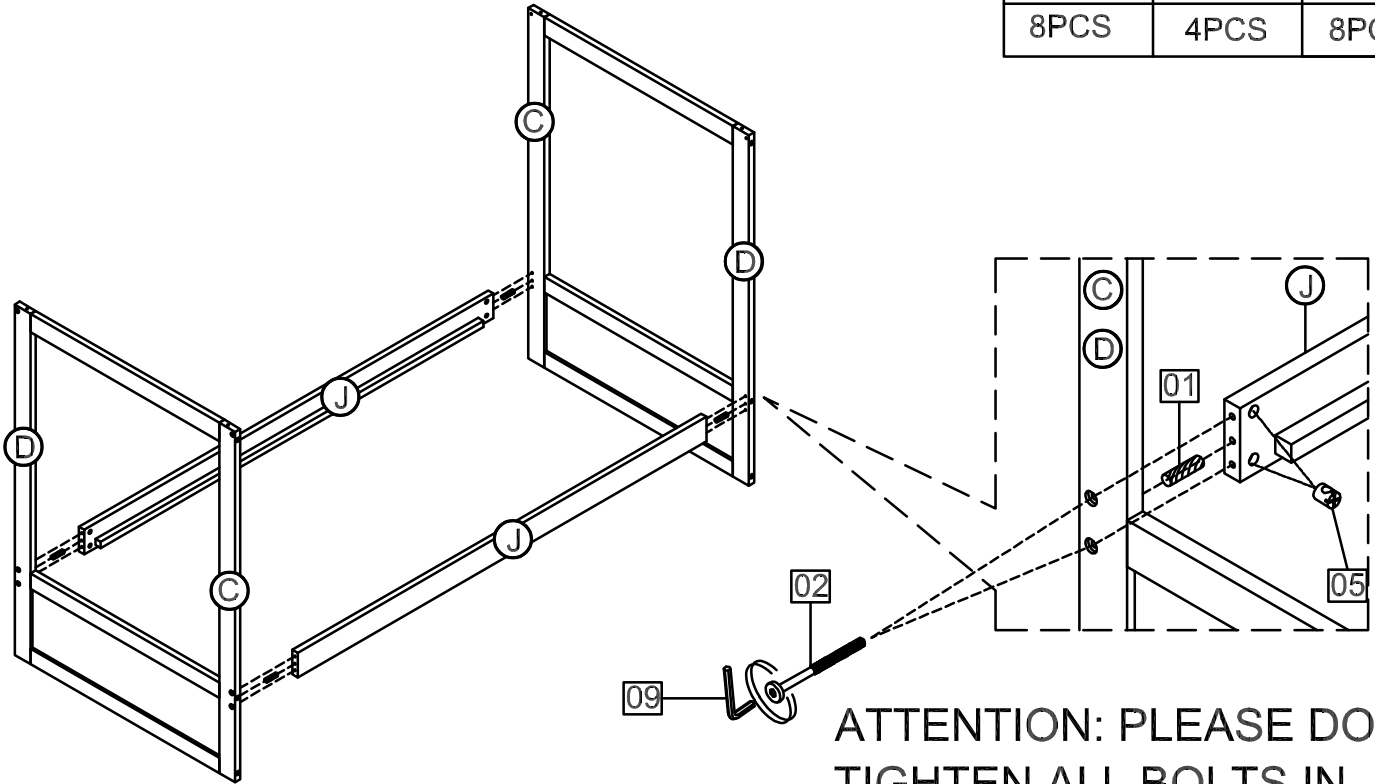
STEP 2:

03
12PCS





STEP 3:

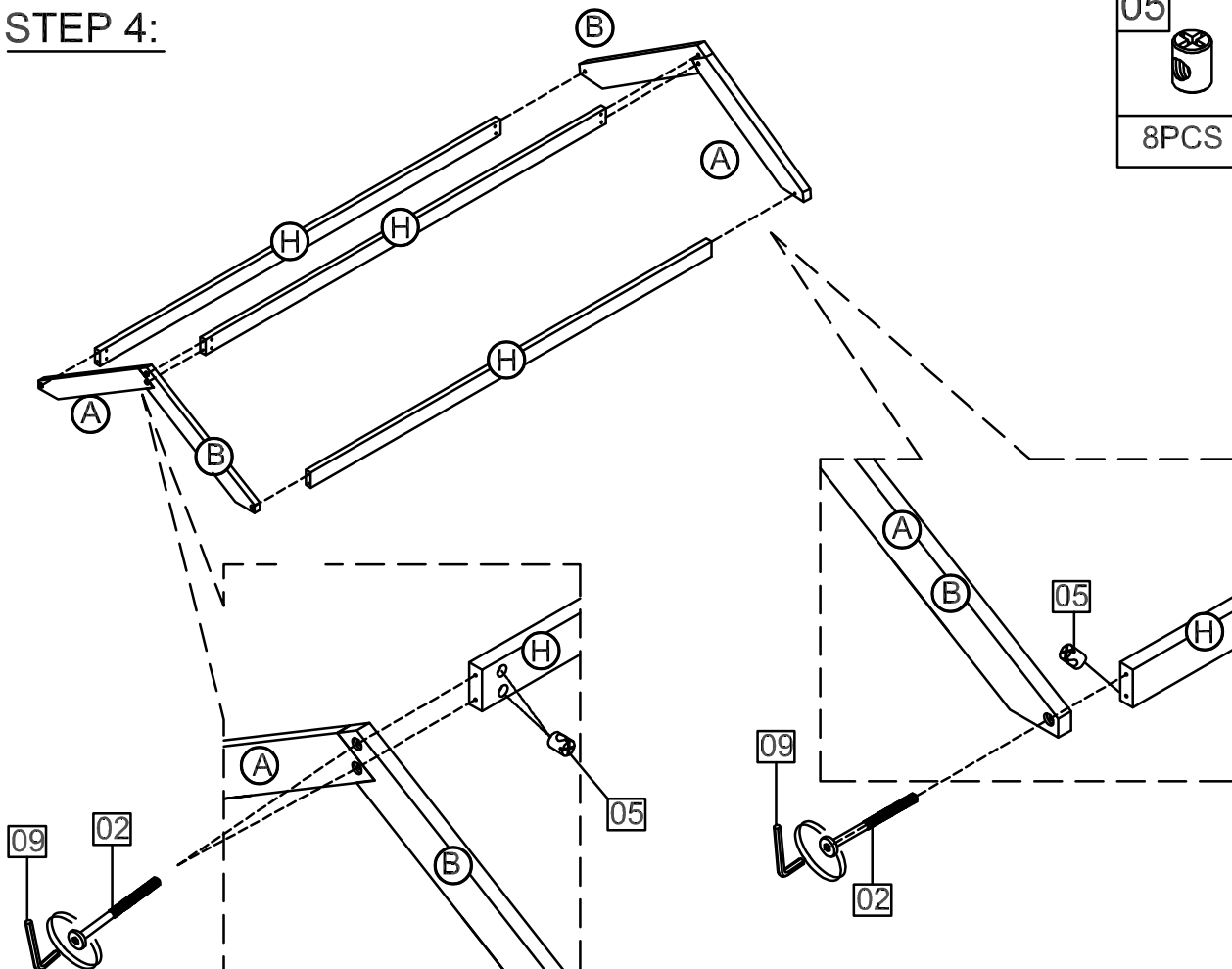
05	01	02
		
8PCS	4PCS	8PCS






ATTENTION: PLEASE DON'T
TIGHTEN ALL BOLTS IN
THIS STEP, JUST TIGHTEN
80%

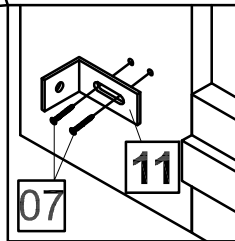
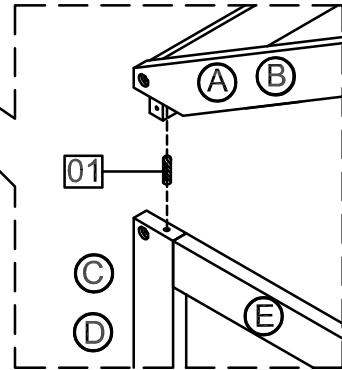
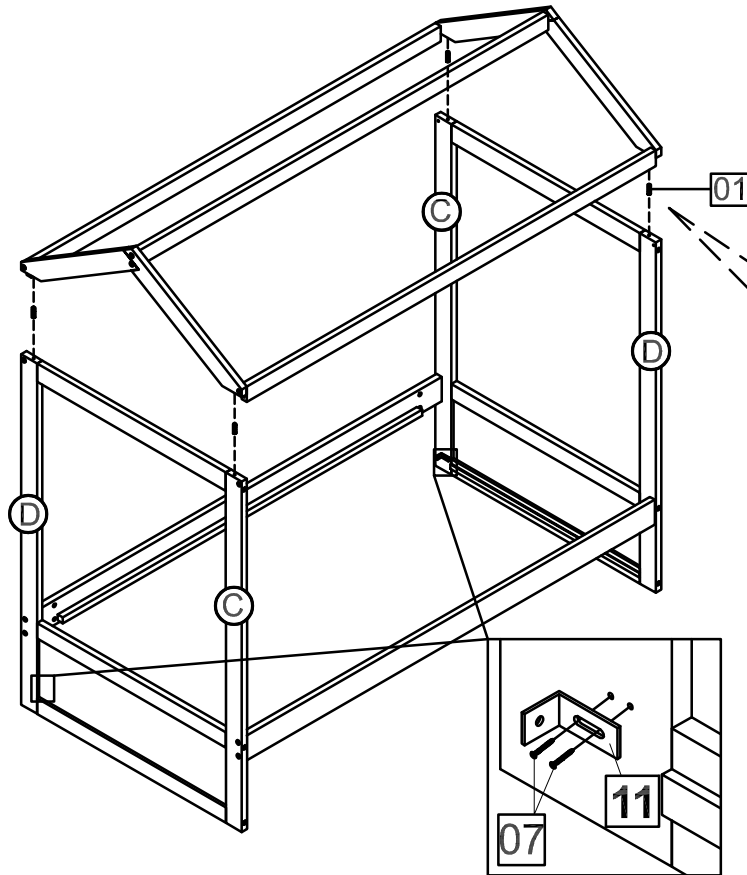
STEP 4:

05	02
	
8PCS	8PCS





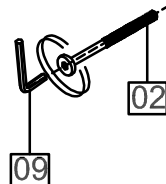
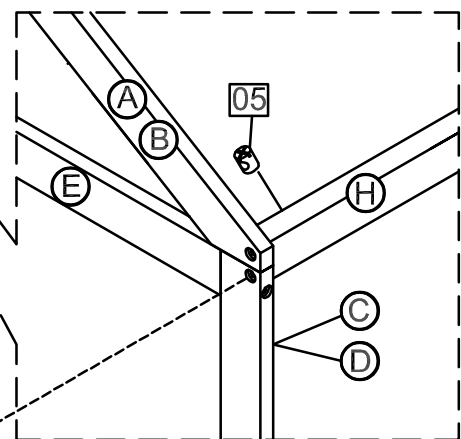
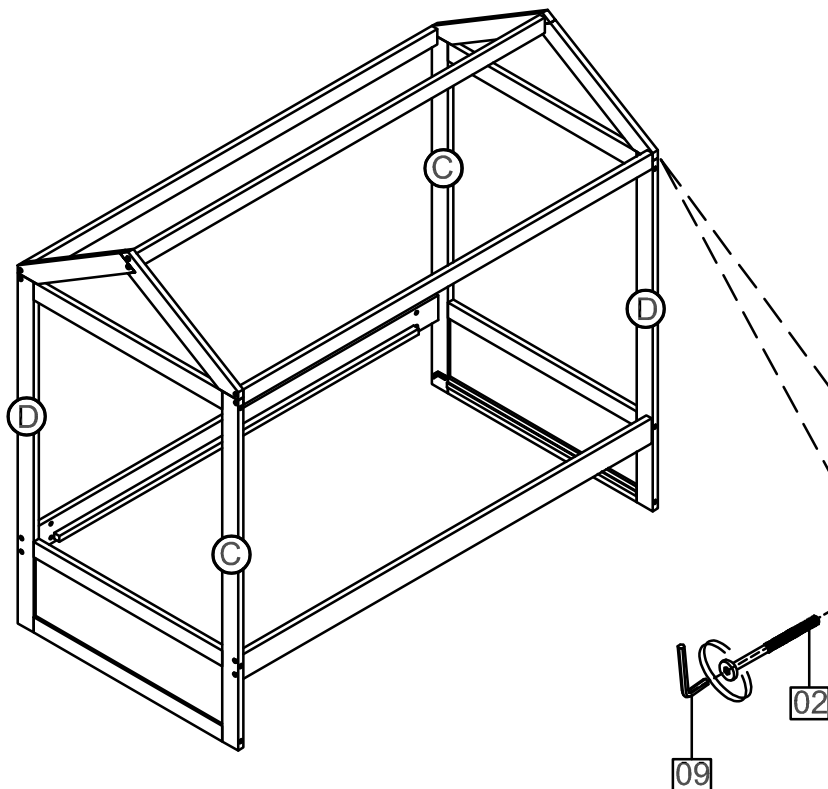
STEP 5:

07		11		01	
	4 PCS		2 PCS		4PCS




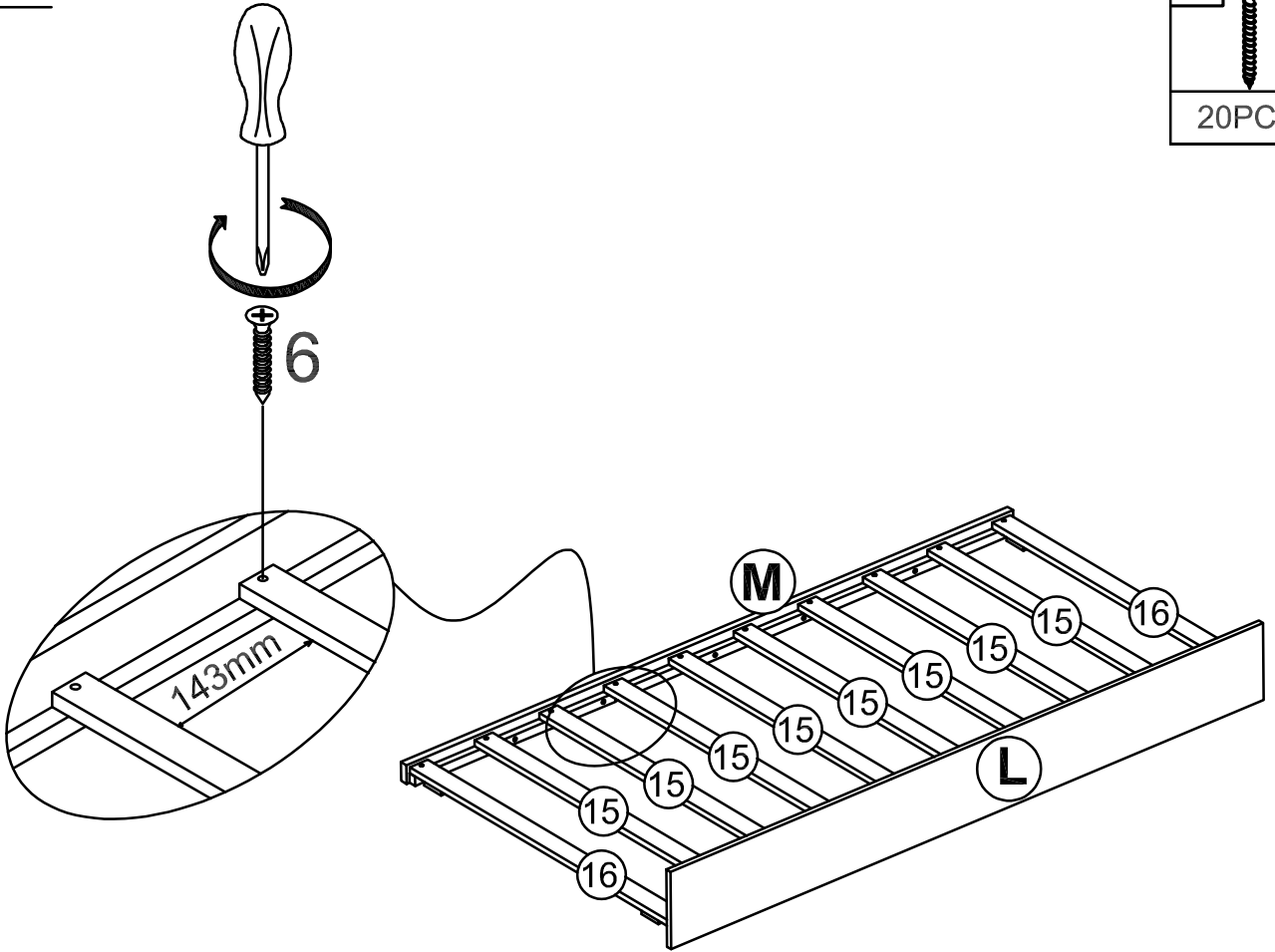
STEP 6:

05		02	
	4PCS		4PCS






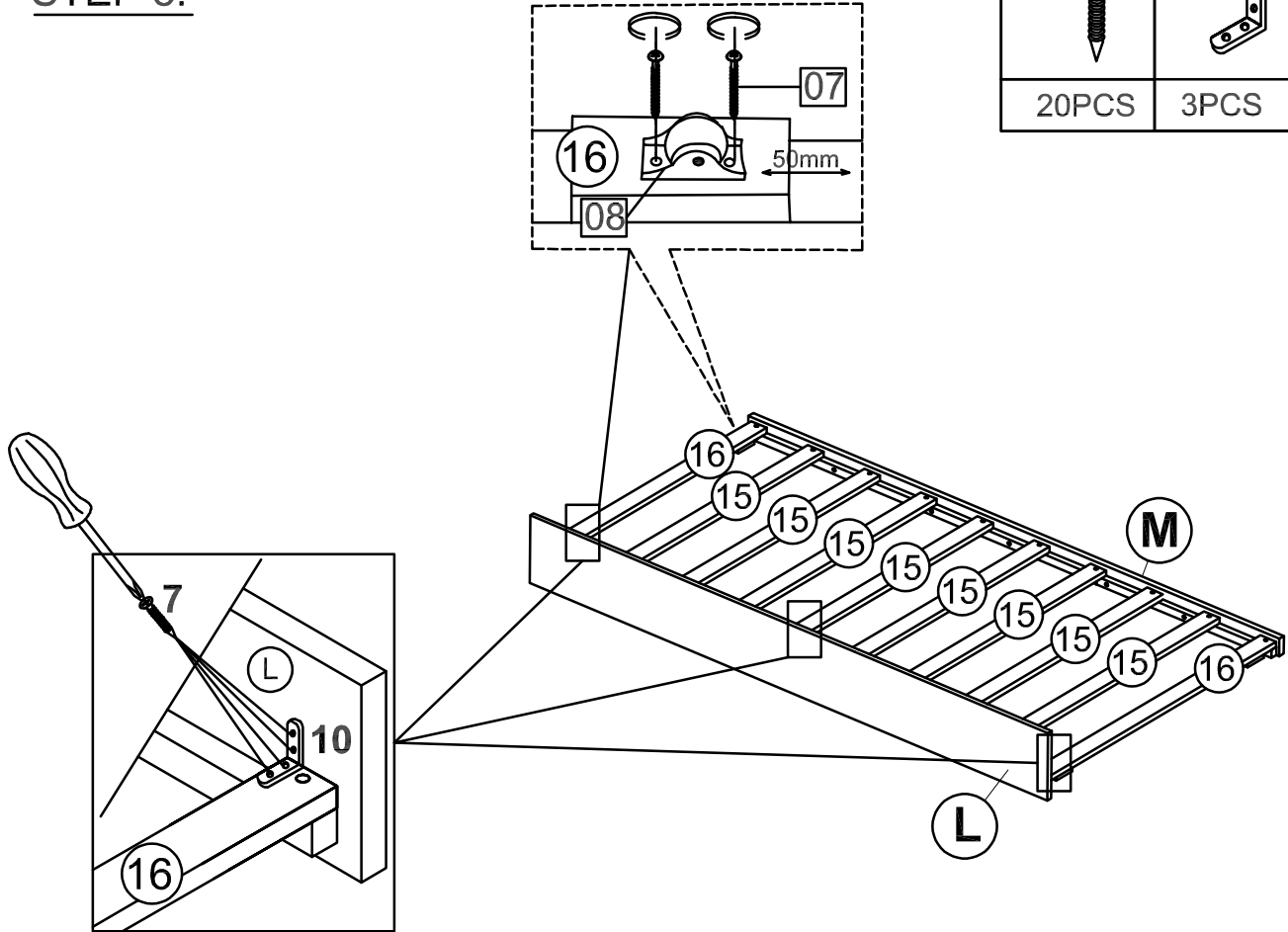
STEP 7:

06	
20PCS	



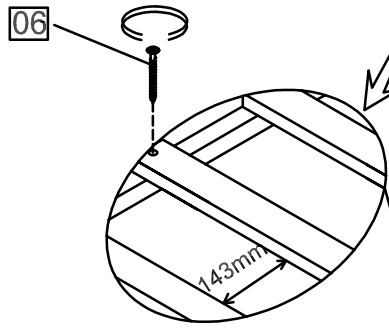
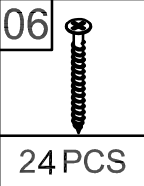
STEP 8:

07		10		08	
20PCS		3PCS		4PCS	

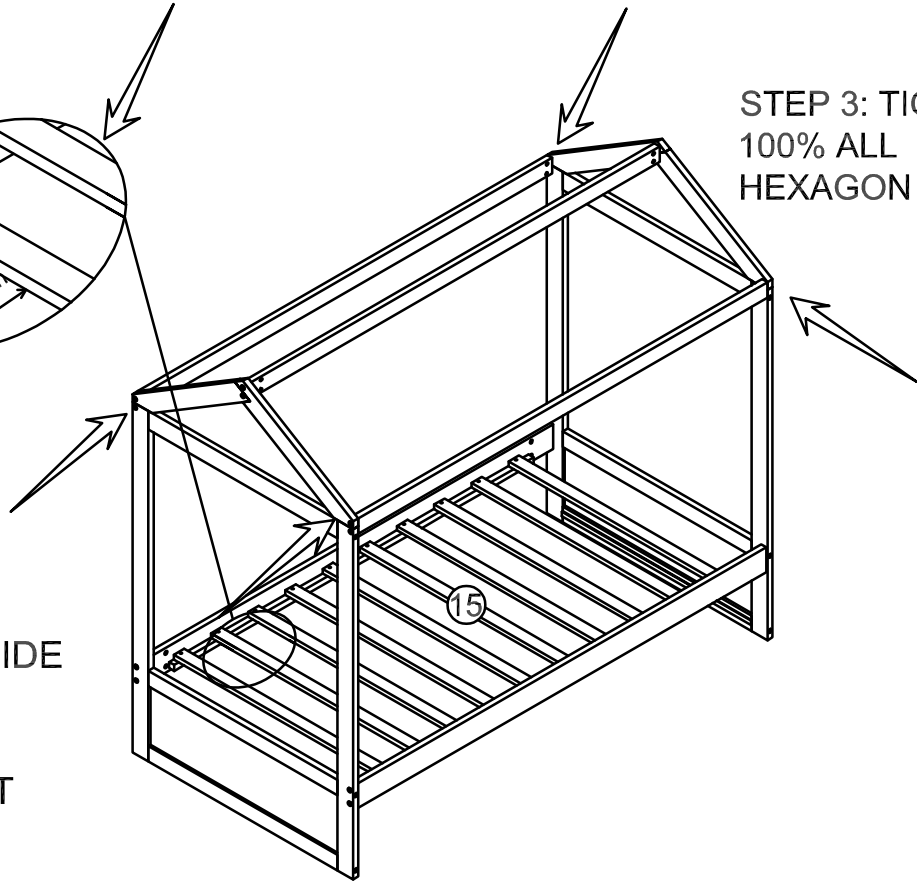


STEP 9:

STEP 2: SCREW
ALL SLATS

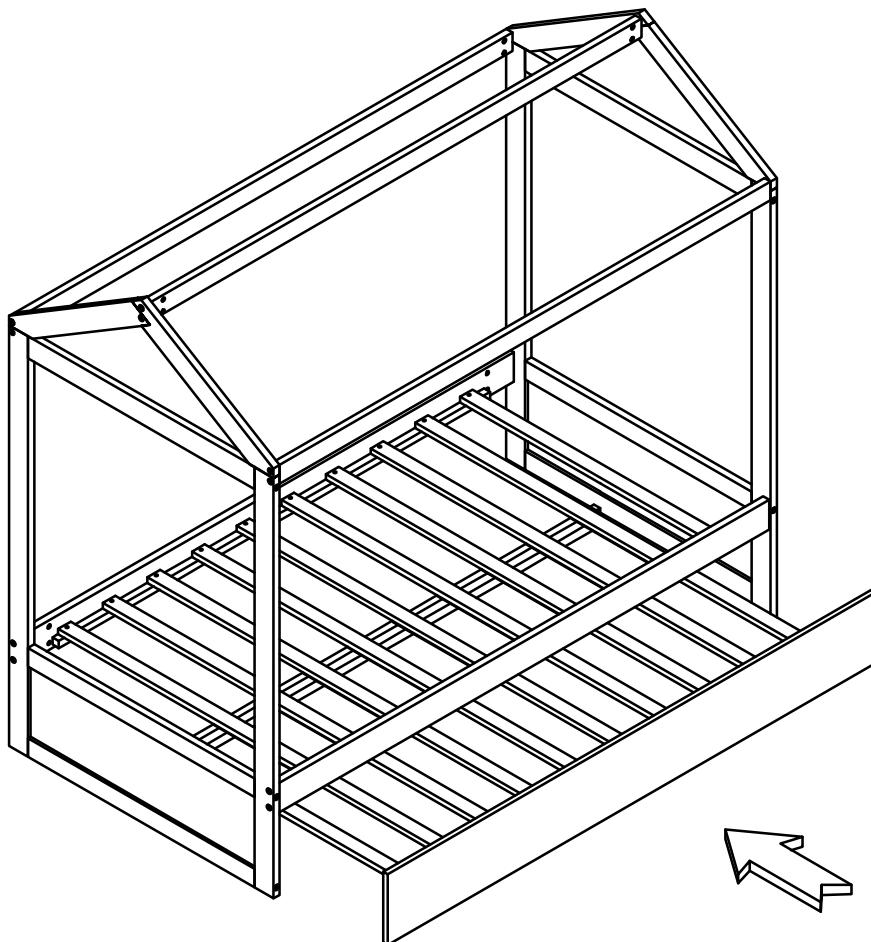


STEP 3: TIGHTEN
100% ALL
HEXAGON BOLTS



STEP 1: PULL SIDE
RAIL CLOSE
TOGETHER
ENOUGH TO FIT
THE SLATS

STEP 10:



Completed

