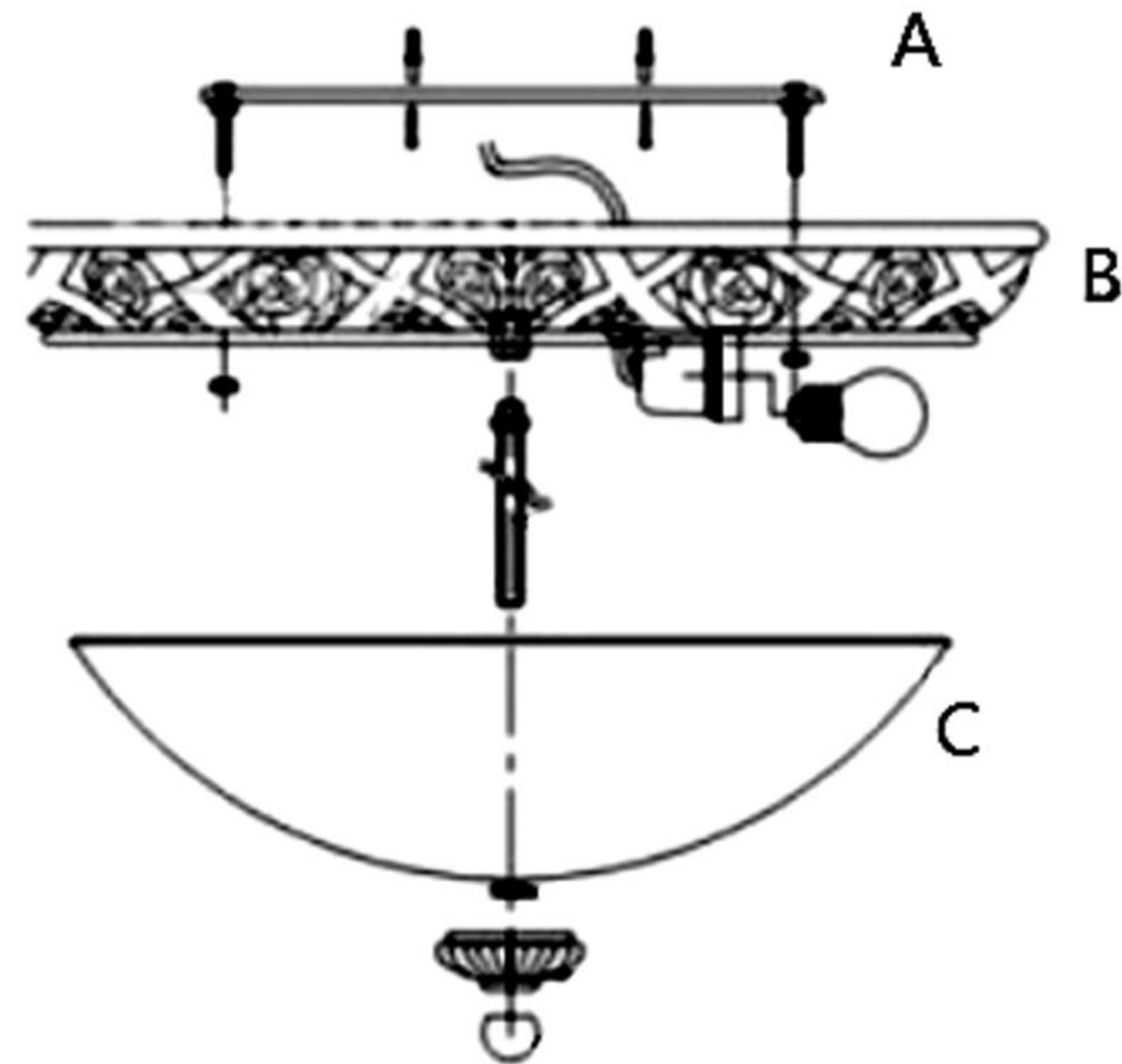


Assembly Instruction Sheet for Model HL639427

Package Contents

Part	Description	Quantity
A	Mounting Bracket	1 pc.
B	Fixture Body	1 pc.
C	Glass Shade	1 pc.



STEP 1

Mark the drilling position on ceiling with the help of the Mounting Bracket(A).
Drill holes on the marks and stick the expansion anchors into the holes.
Fix the Mounting Bracket(A) to the expansion anchors with self-tapping screws.

STEP 2

Hold the fixture close to the ceiling.
Connect live line to wire color Black/Red from the Fixture Body(B).
Connect neutral line to wire color White/Blue from the Fixture Body(B).

STEP 3

Attach the Fixture Body(B) to the Mounting Bracket(A).

STEP 4

Install your bulb to the bulb base.

STEP 5

Fix the Glass Shade(C) to the Fixture Body(B) with the the help of threaded tube, nut, cap and the nipple.

Your fixture is now assembled and ready to use.