

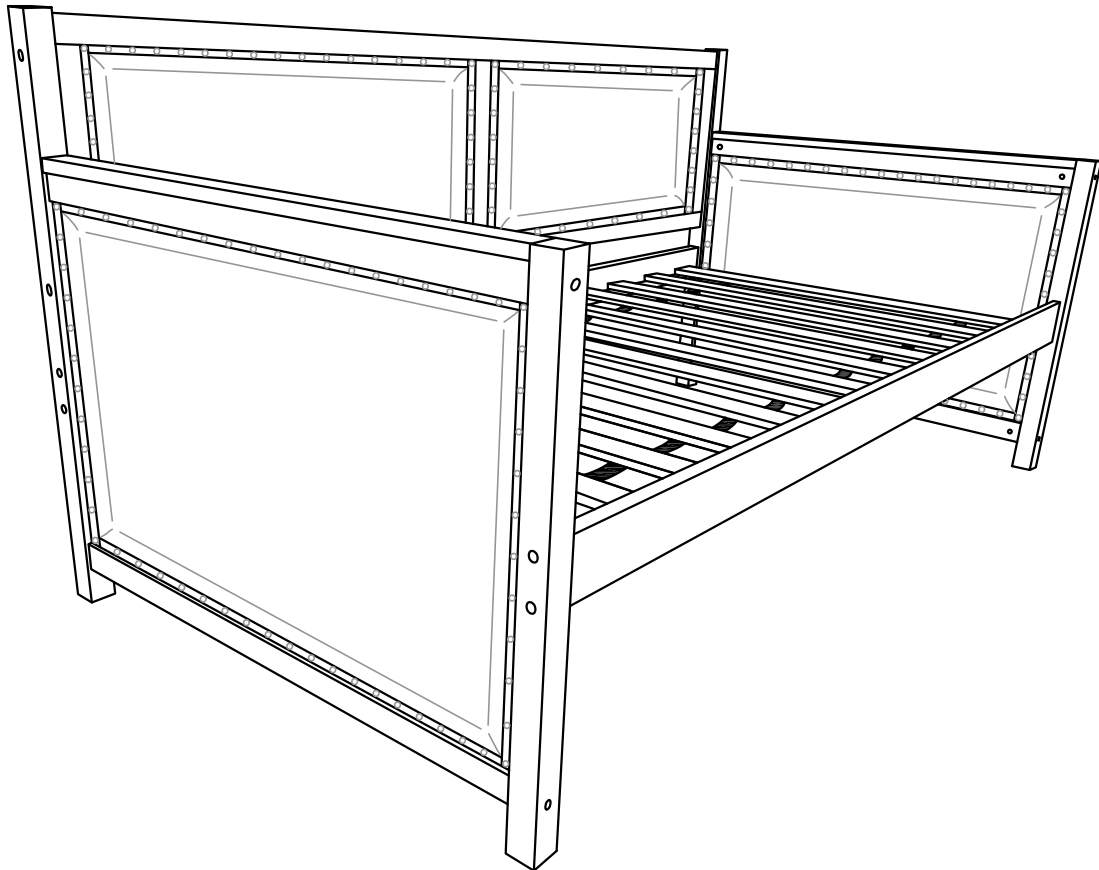


DO NOT RETURN TO RETAILER
IF YOU HAVE ANY
QUESTIONS OR CONCERNS
PLEASE CALL

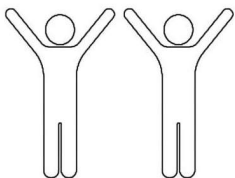


Daybed

Assembly Instructions



Required:



Tools Needed:



Allen Key provided

Please cover floor with corrugated cardboard / paper / carpet
to avoid scratches / damages to floor

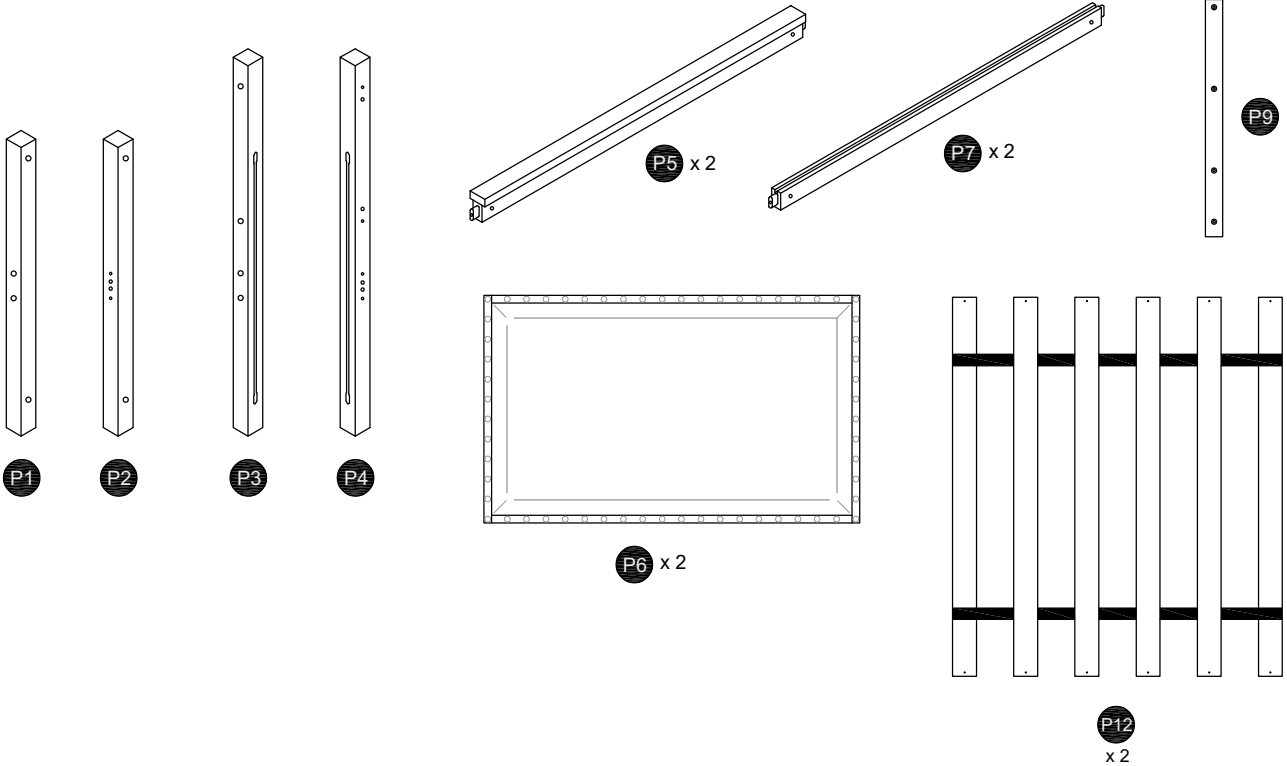
Assembly Checklist

Please make sure that you have all of the below items before you start. If any are missing, please contact us for a replacement.



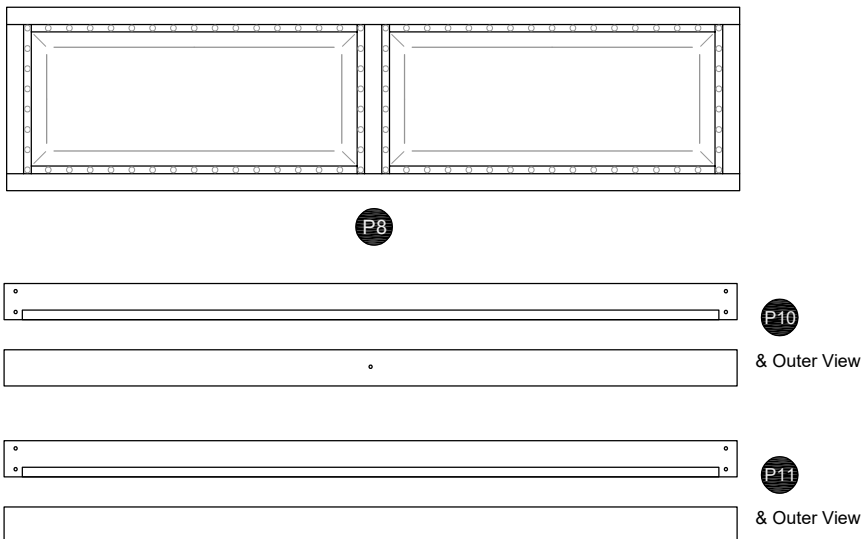
Parts supplied for assembly

Box A

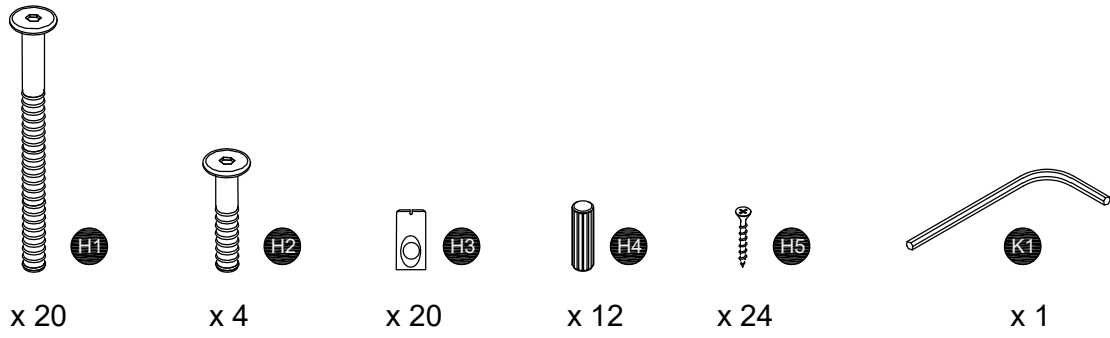


Parts supplied for assembly

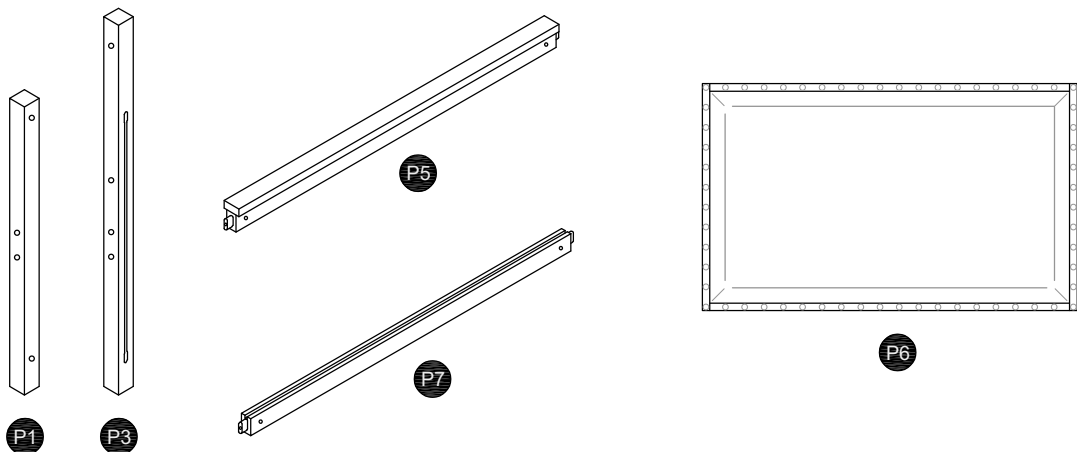
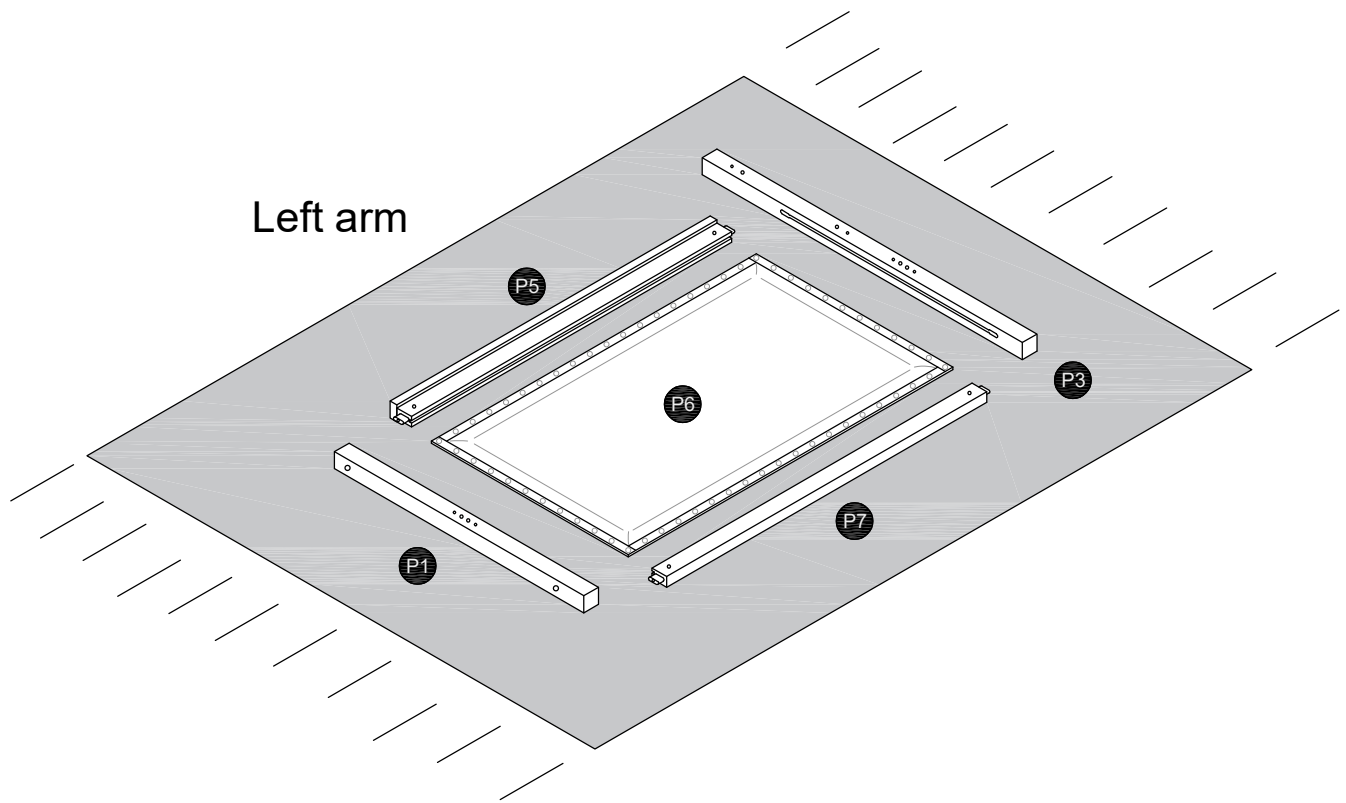
Box B



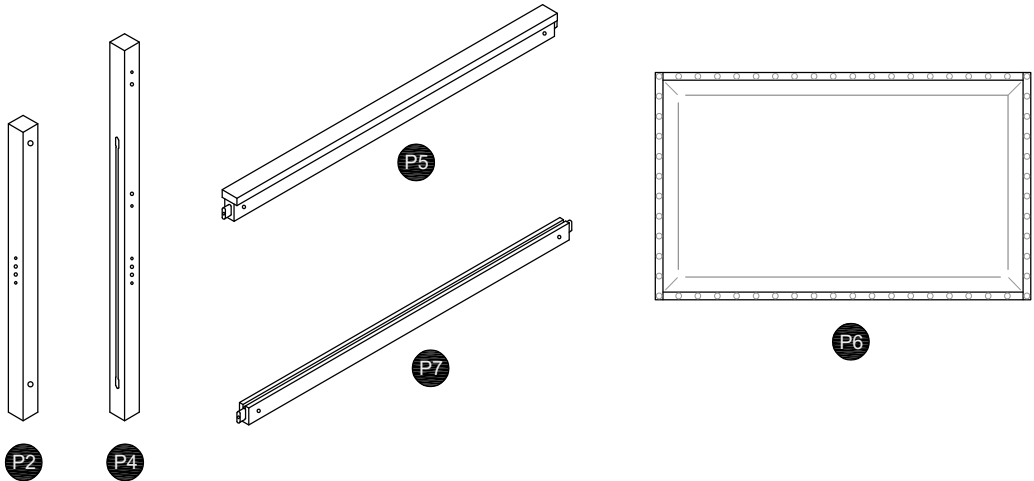
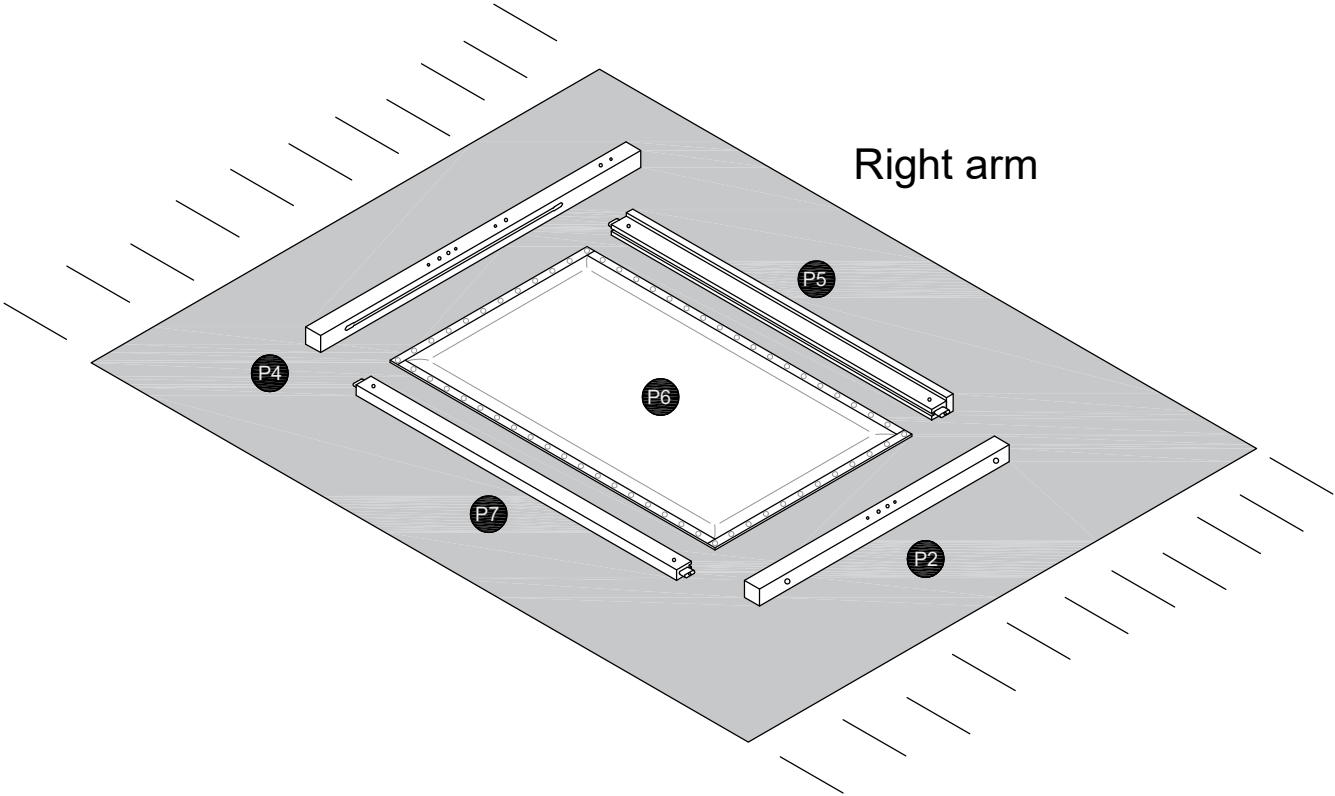
Hardware supplied for assembly



Step 1: Locate parts P1, P3, P5, P6 & P7

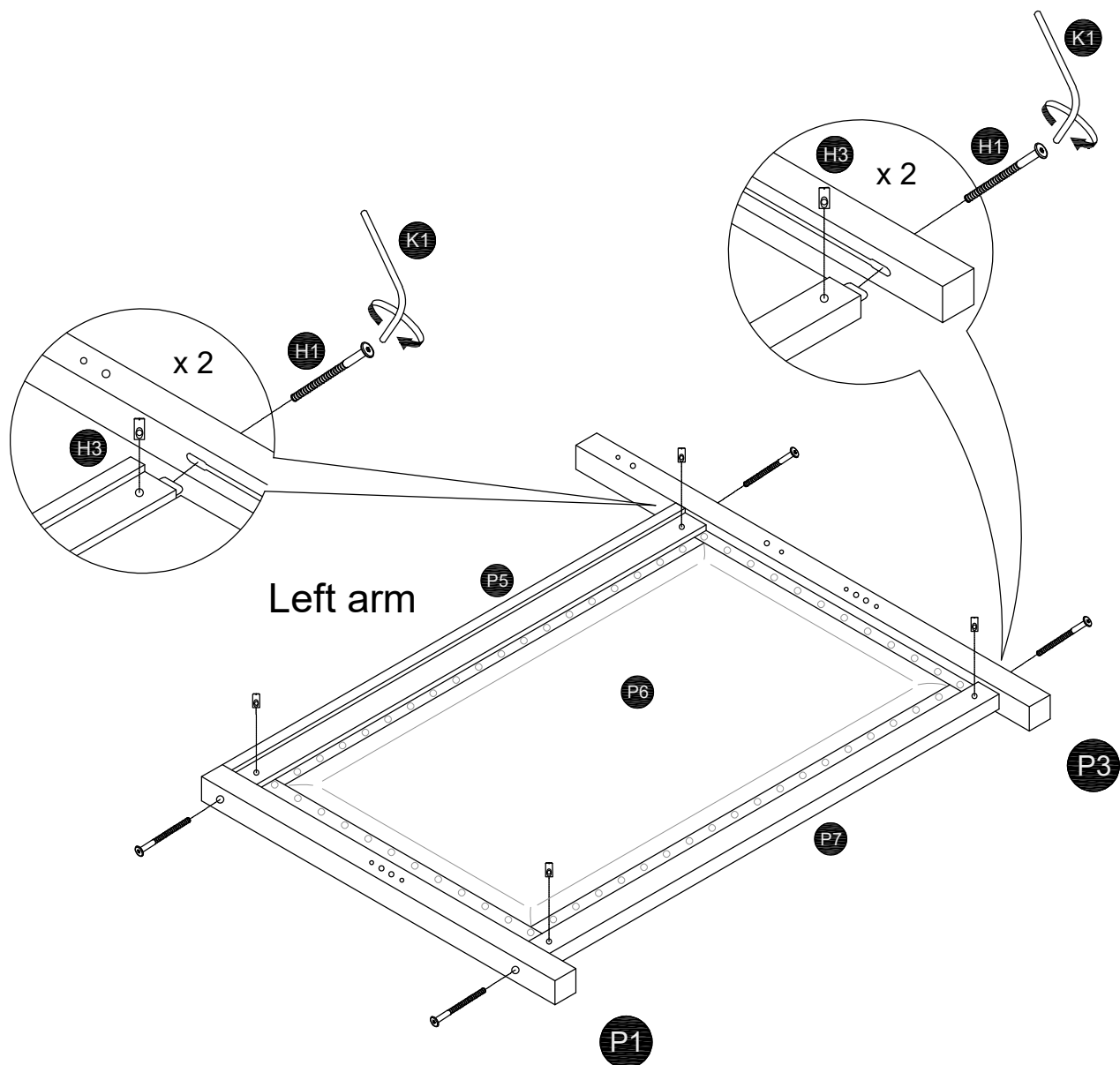


Step 2: Locate parts P2, P4, P5, P6 & P7

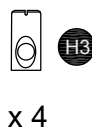
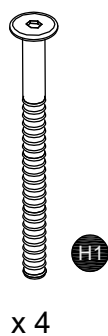


Step 3: Attach P1 and P3 to P5, P6, P7 with hardware as shown

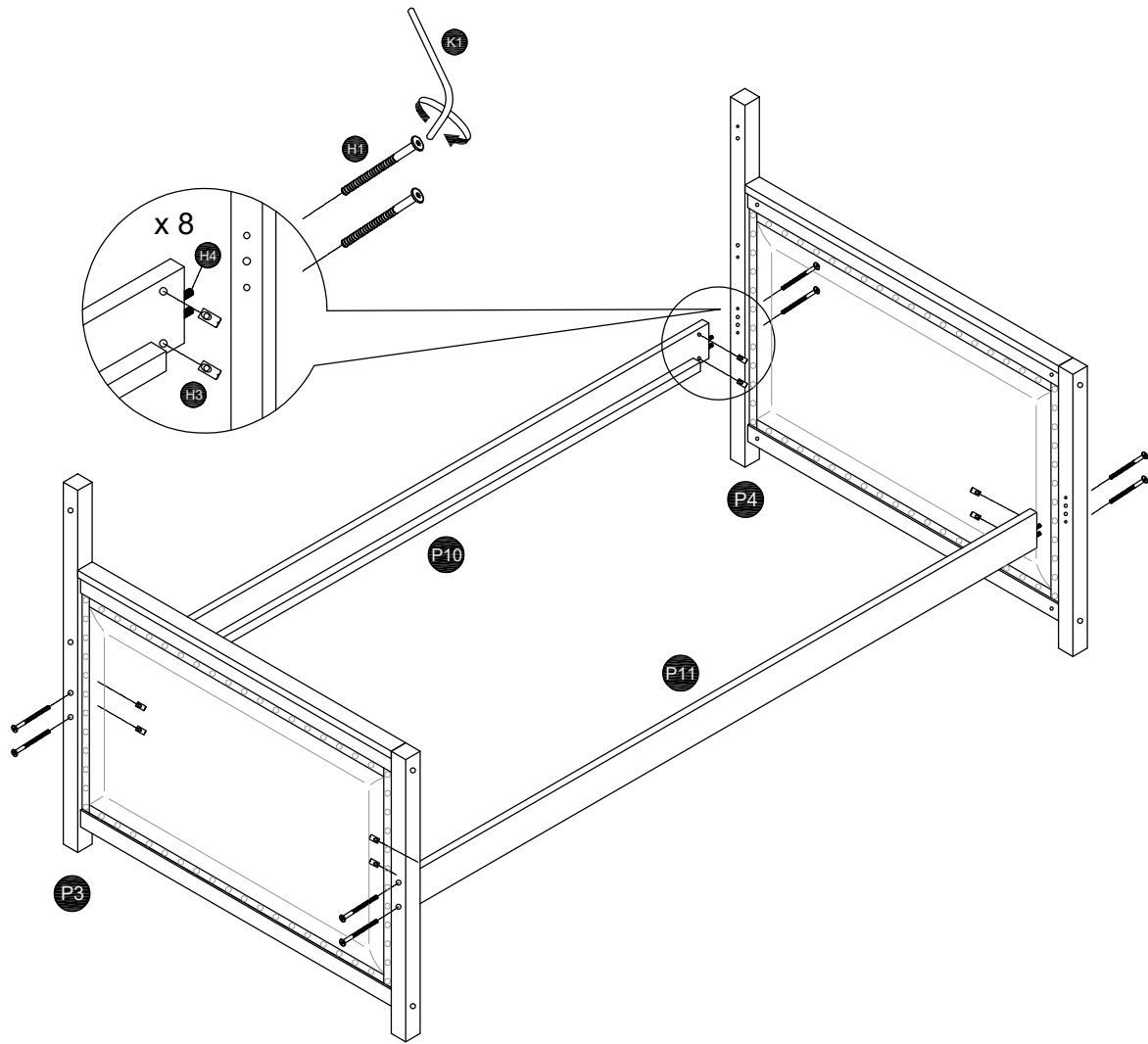
Repeat the same step for other right arm P2 & P4 with the same hardware as shown.



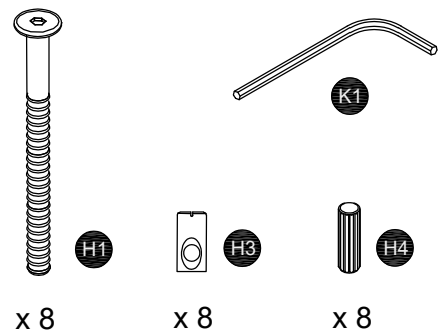
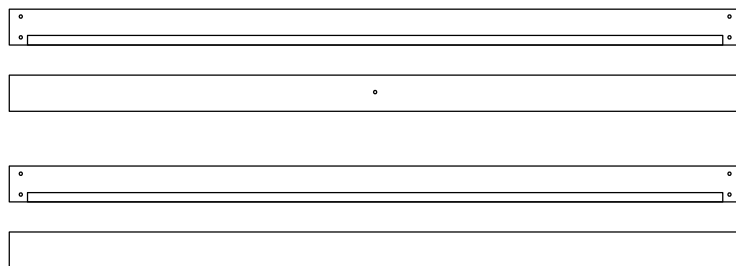
Tighten all bolts at this point.



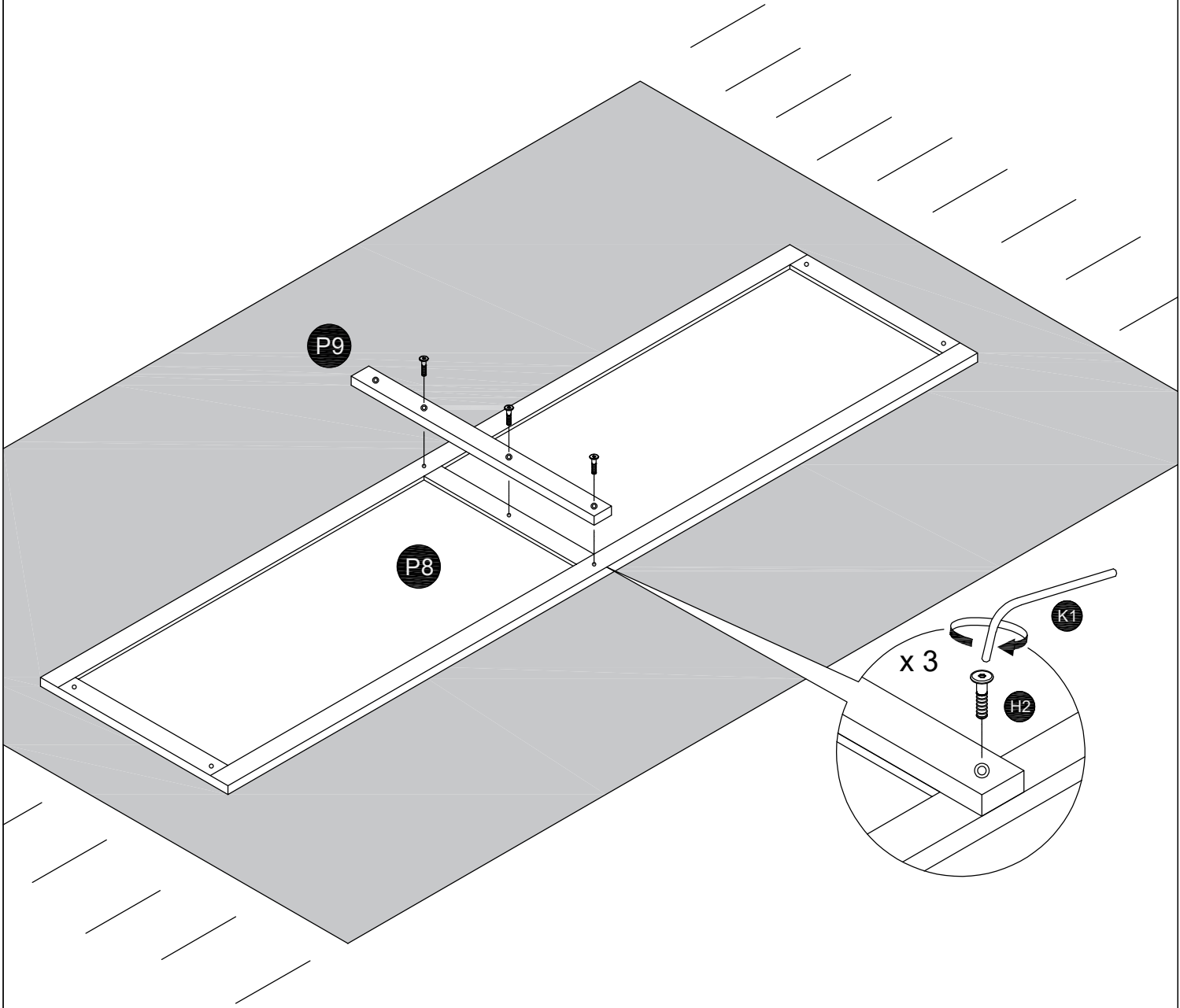
Step 4: Attach P10 and P11 to both arms



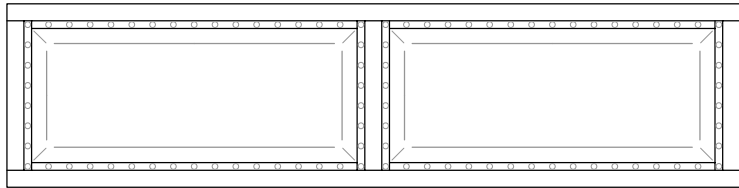
IMPORTANT! Loosely attach H1 bolts at this step.



Step 5: Attach P9 to P8 with hardware as shown



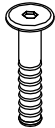
Tighten all bolts at this point.



P8



P9



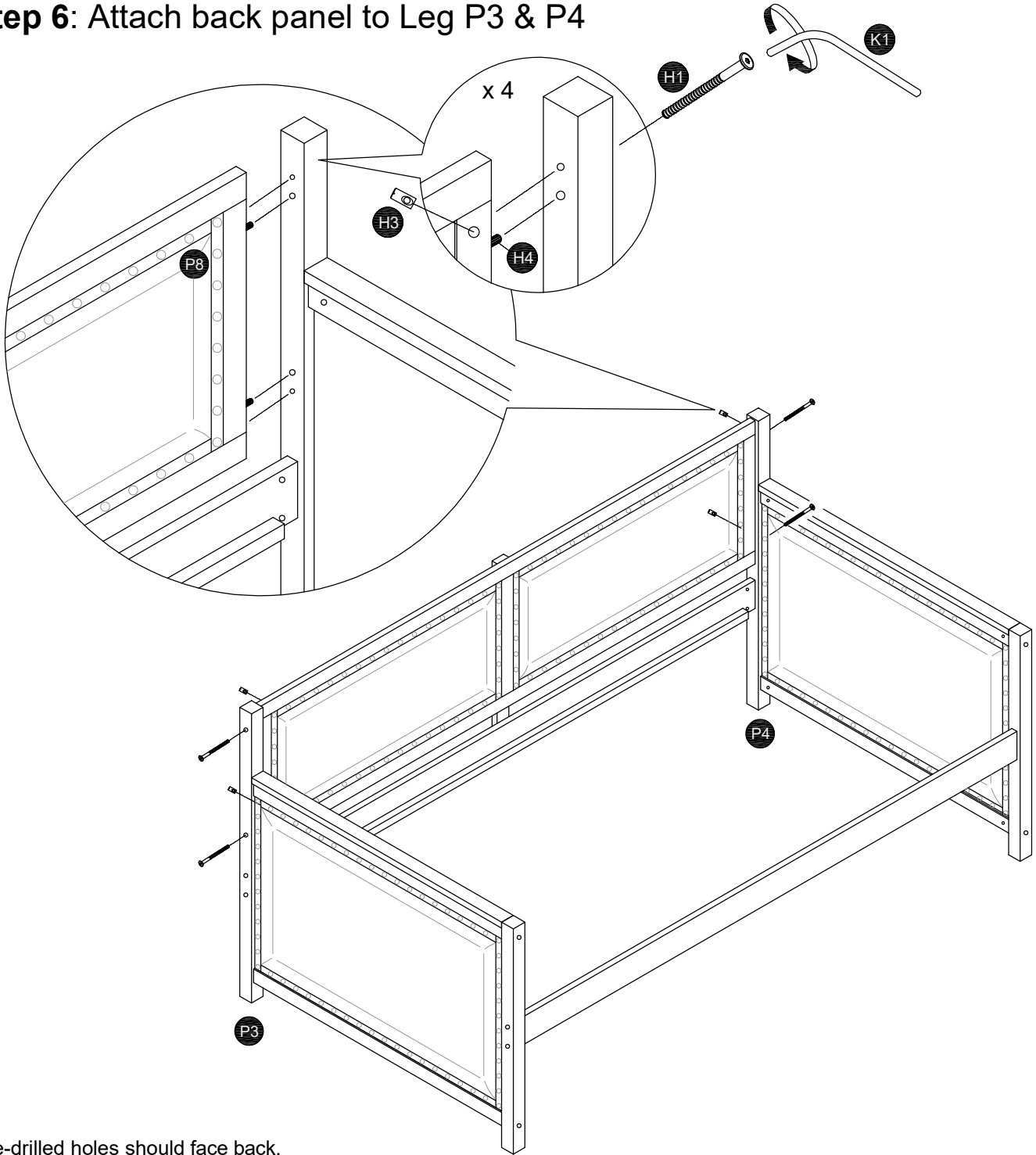
H2

x 3

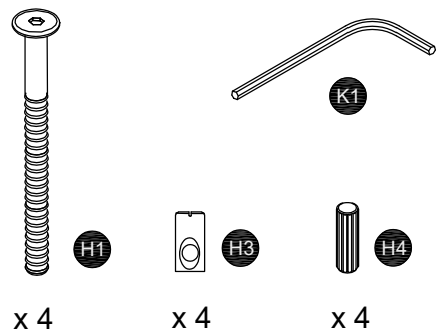
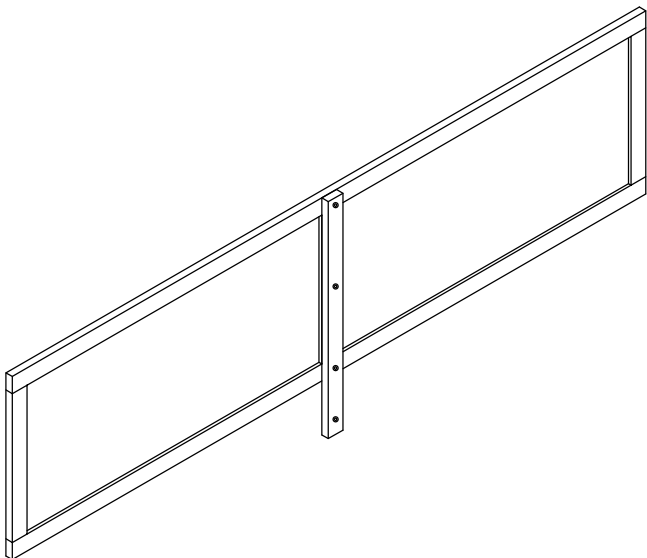


K1

Step 6: Attach back panel to Leg P3 & P4

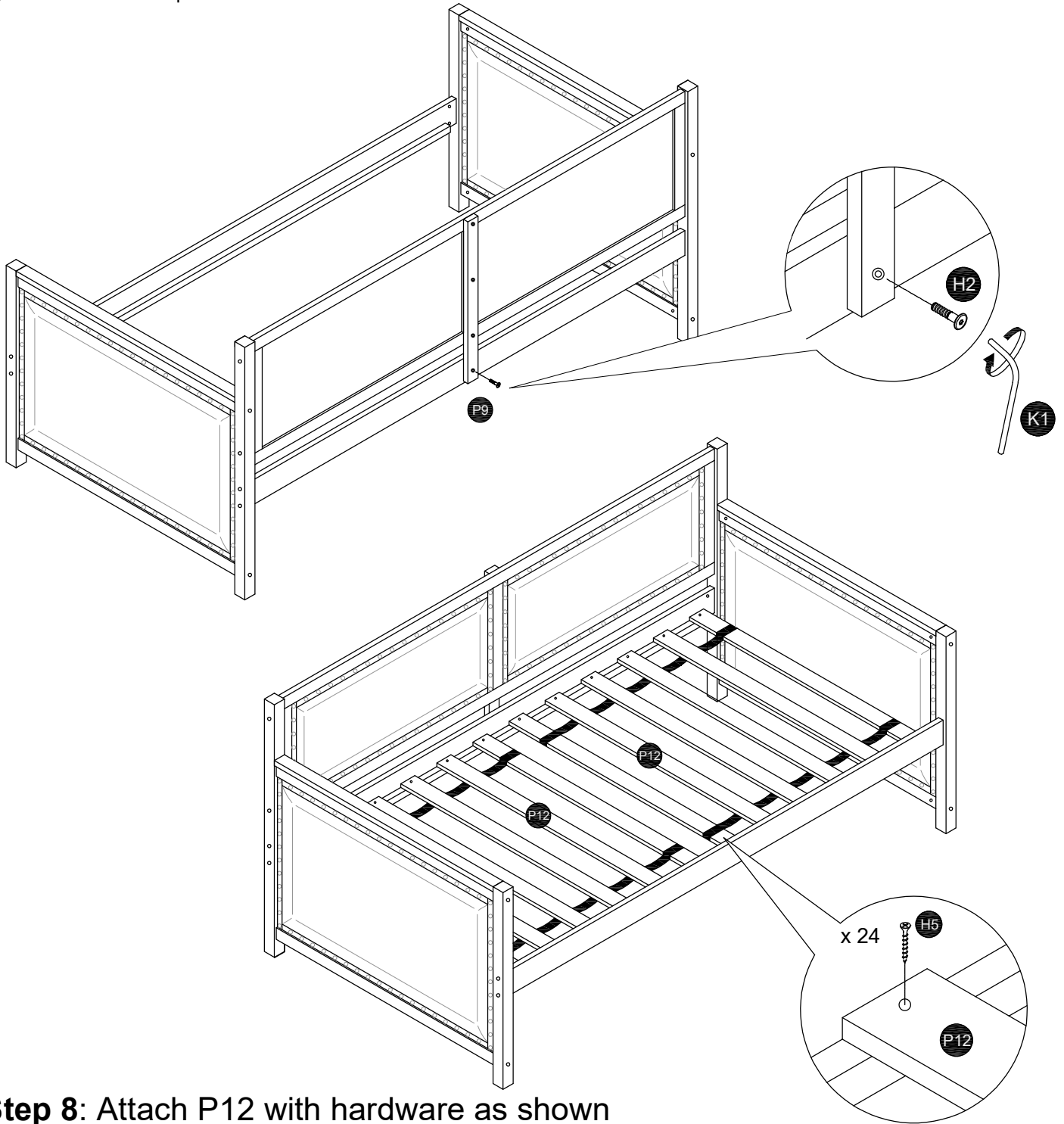


Pre-drilled holes should face back.



Step 7: Secure P9 with hardware as shown

Tighten all bolts at this point.



Step 8: Attach P12 with hardware as shown

Tighten all bolts at this point.

