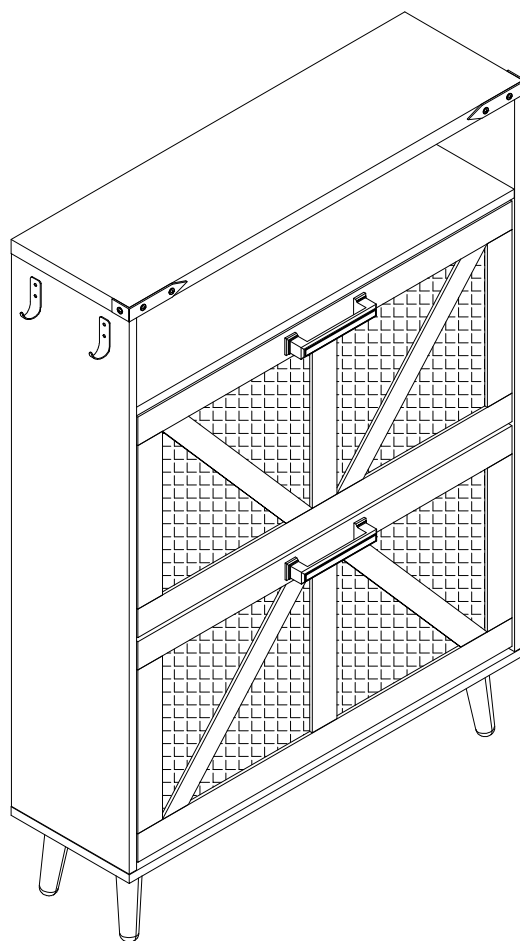


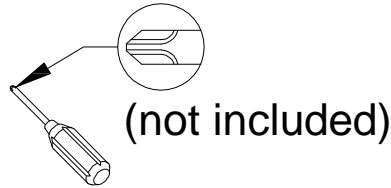
# Assembling Instruction



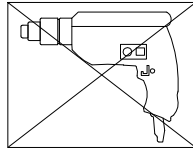
Because it's a narrow cabinet, it must permanently be fixed to the wall with the included anti-tipping device to prevent the cabinet from tipping over. It will be very stable and safe when locked to the wall.

# General Assembly Guidelines

- I. Ensure that all Parts and hardware are available before beginning assembly.
- II. Follow each step carefully to ensure the proper assembly of this Product.
- III. Two People are recommended for ease in the assembly of this Product.
- IV. The three main types of hardware used to assemble this Product are : wood dowels , screws and bolts.
- VI. A Phillips head screwdriver is required for the assembly of this Product .

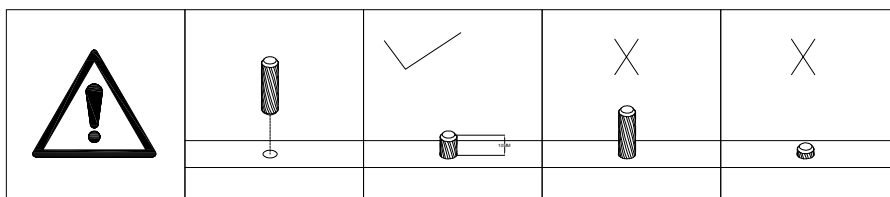
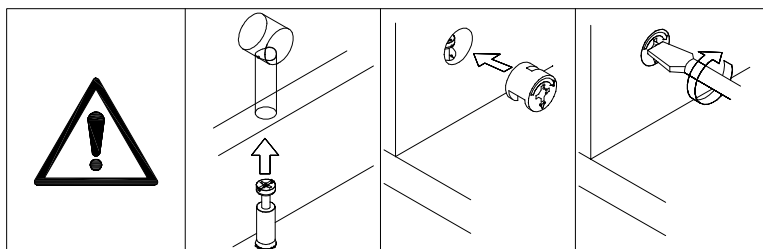
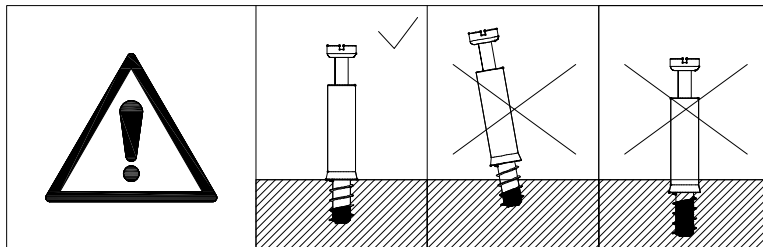


- VII. Power tools should not be used to assemble this Product .

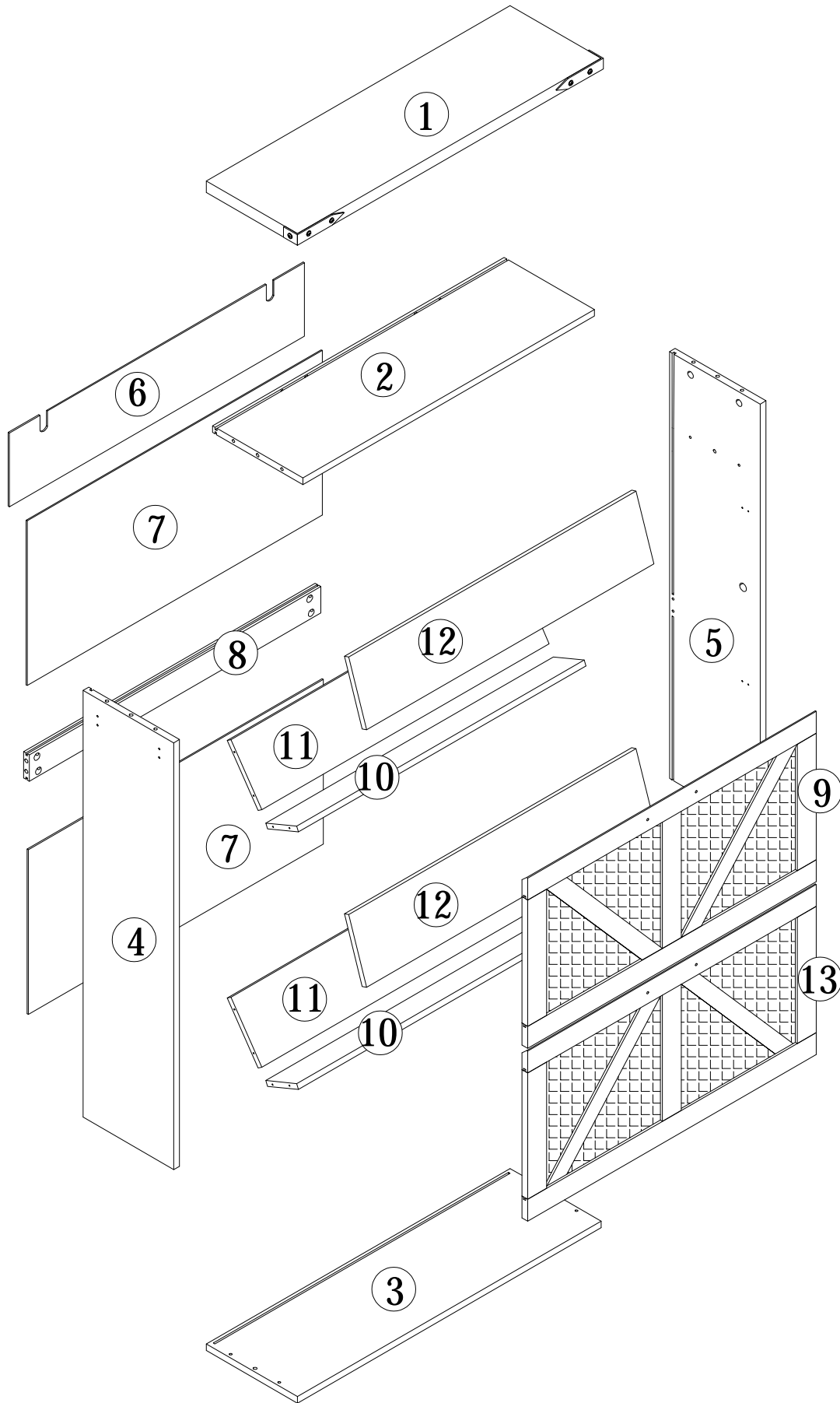


## CAM LOCK/BOLT FASTENING INTRODUCTION

(You will use it during assembly)

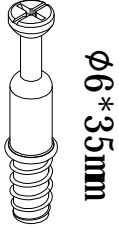


# Parts List



# HARDWARE PACK CONTENT

**A**



φ6\*35mm

12X+1

**B**



φ15\*11.5mm

12X+1

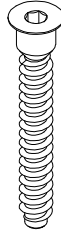
**C**



φ8\*30mm

6X+1

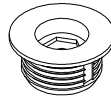
**D**



φ5\*40mm

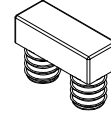
4X+1

**E**



4X

**F**



4X

**G**



φ4\*8mm

4X+1

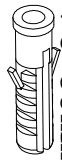
**H**



φ4\*38mm

2X

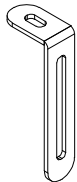
**I**



φ6\*30mm

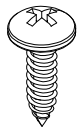
2X

**J**



2X

**K**



φ3.5\*14mm

4X

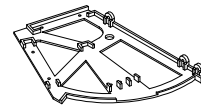
**L**



φ4\*25mm

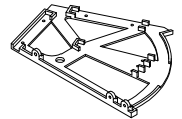
16X+2

**M**



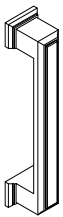
2X

**N**



2X

**O**



2X

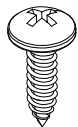
**P**



M4\*20mm

4X

**Q**



φ3.5\*17mm

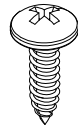
12X+2

**R**



4X

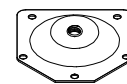
**S**



φ3.5\*14mm

24X+2

**T**



4X

**U**



4X

**V**



φ3\*15mm

8X+1

**W**



14\*13\*9mm

8X+1

**X**



2X

**Y**



φ25mm

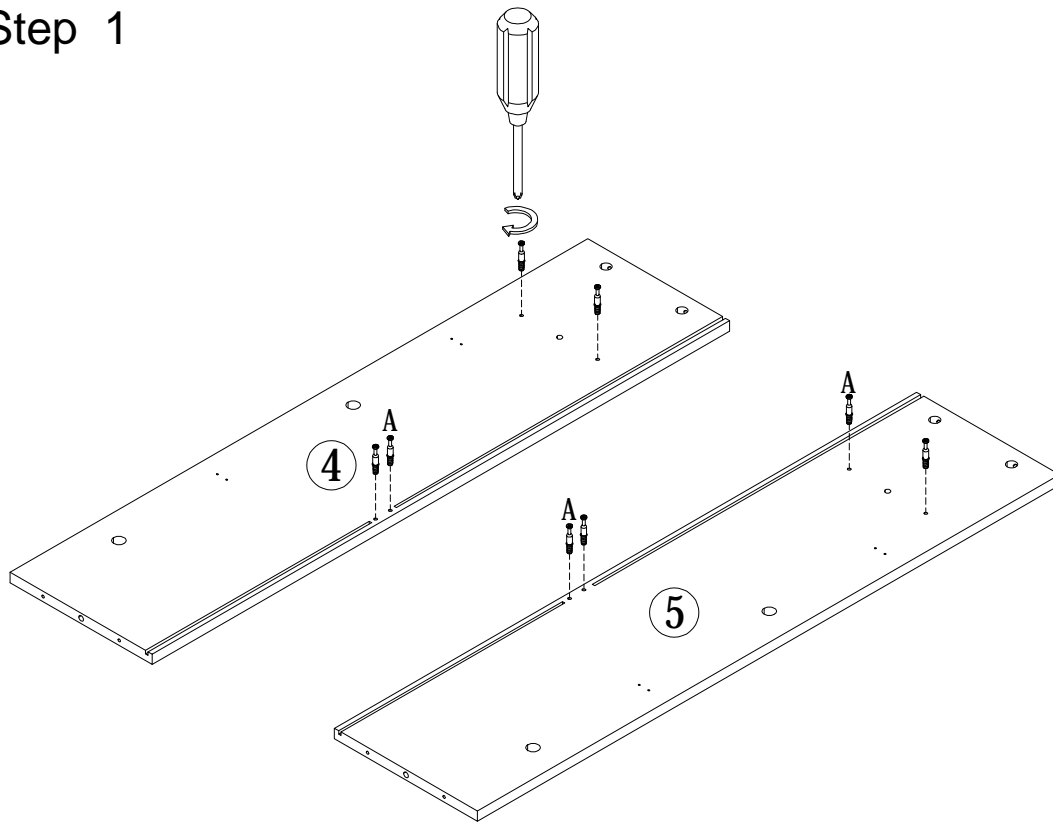
4X


**Z**



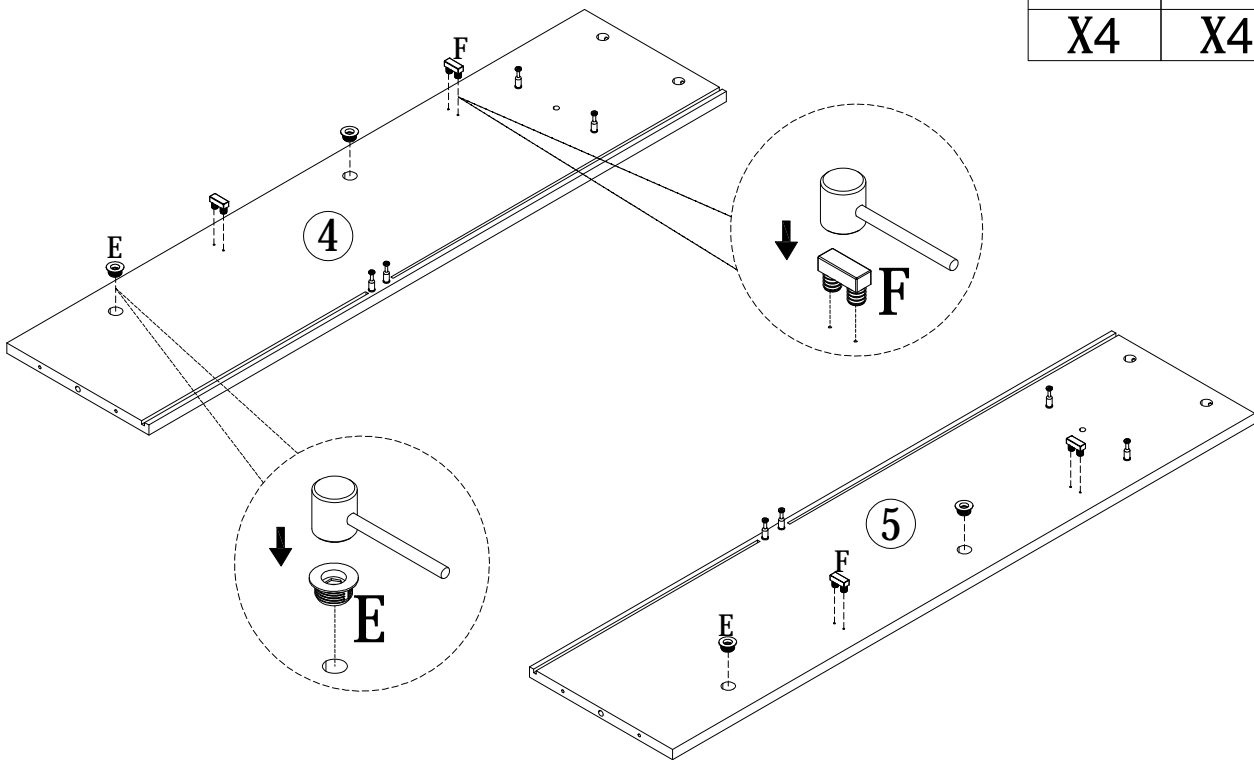
1X



# Step 1





A

X8

# Step 2

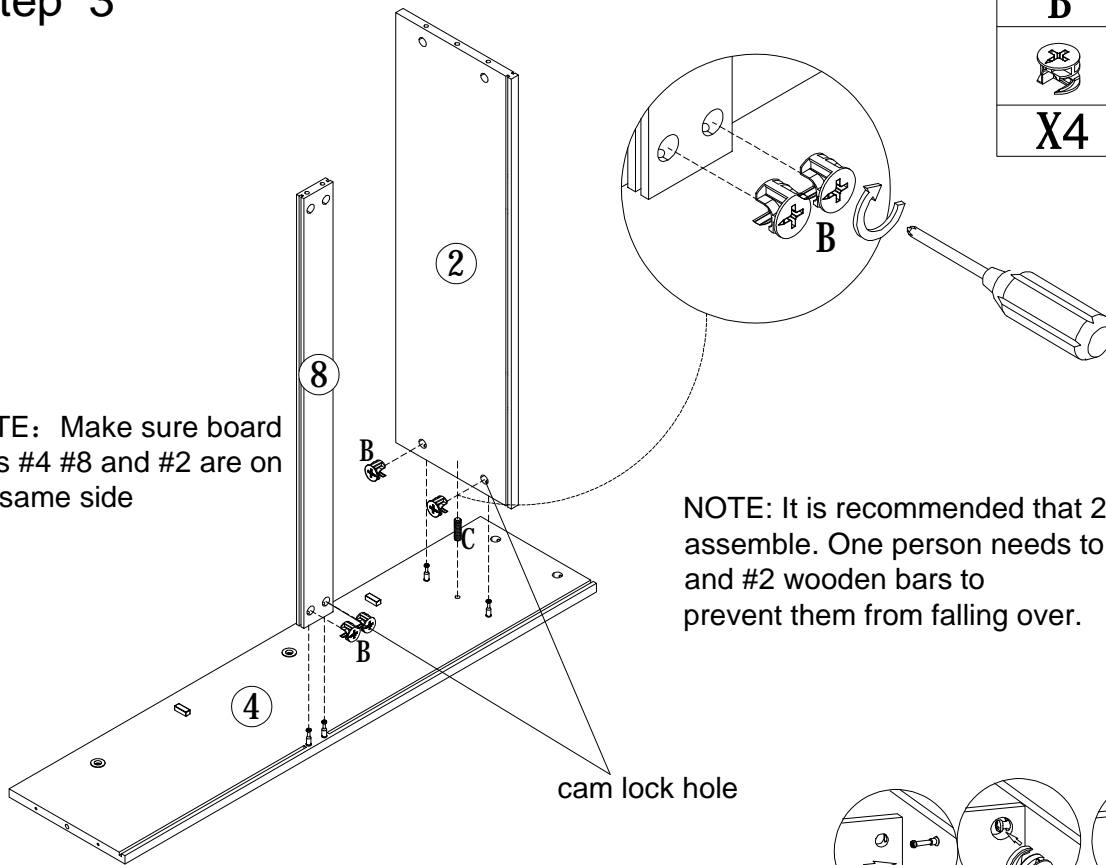


E	F
	
X4	X4

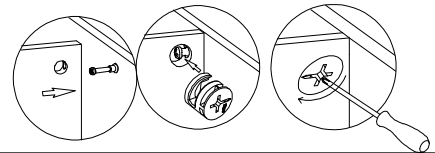
### Step 3

B	C
	
X4	X1

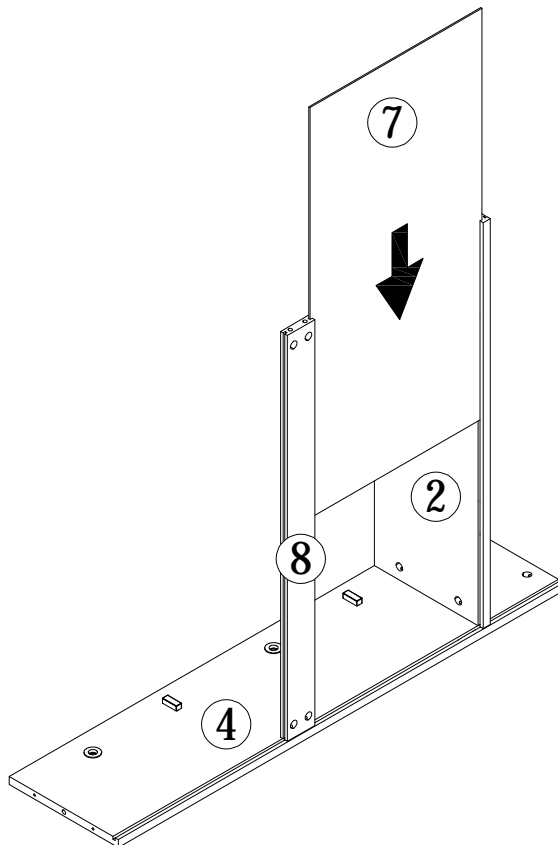
NOTE: Make sure board slots #4 #8 and #2 are on the same side





NOTE: It is recommended that 2 people assemble. One person needs to hold the #8 and #2 wooden bars to prevent them from falling over.

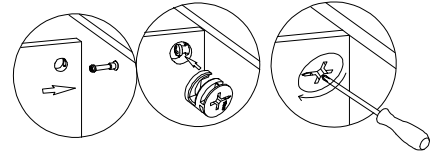
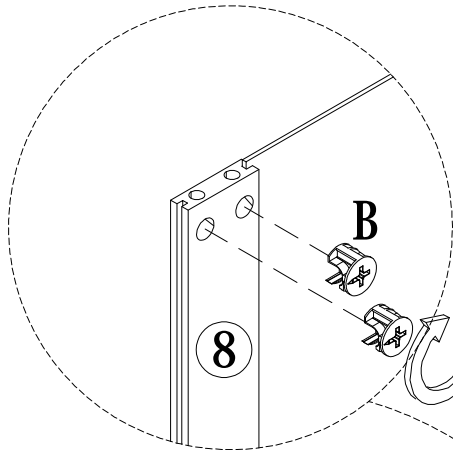
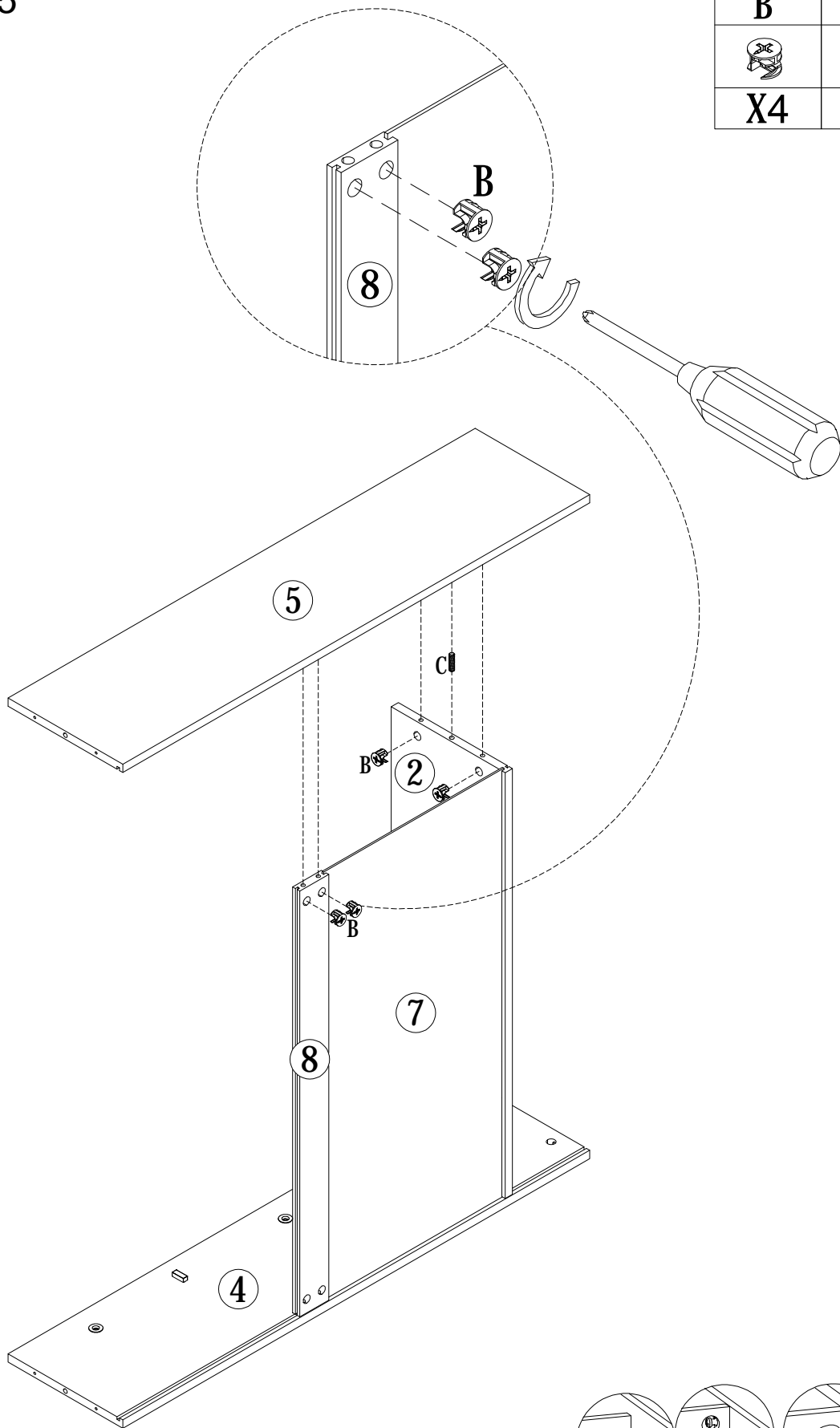


### Step 4

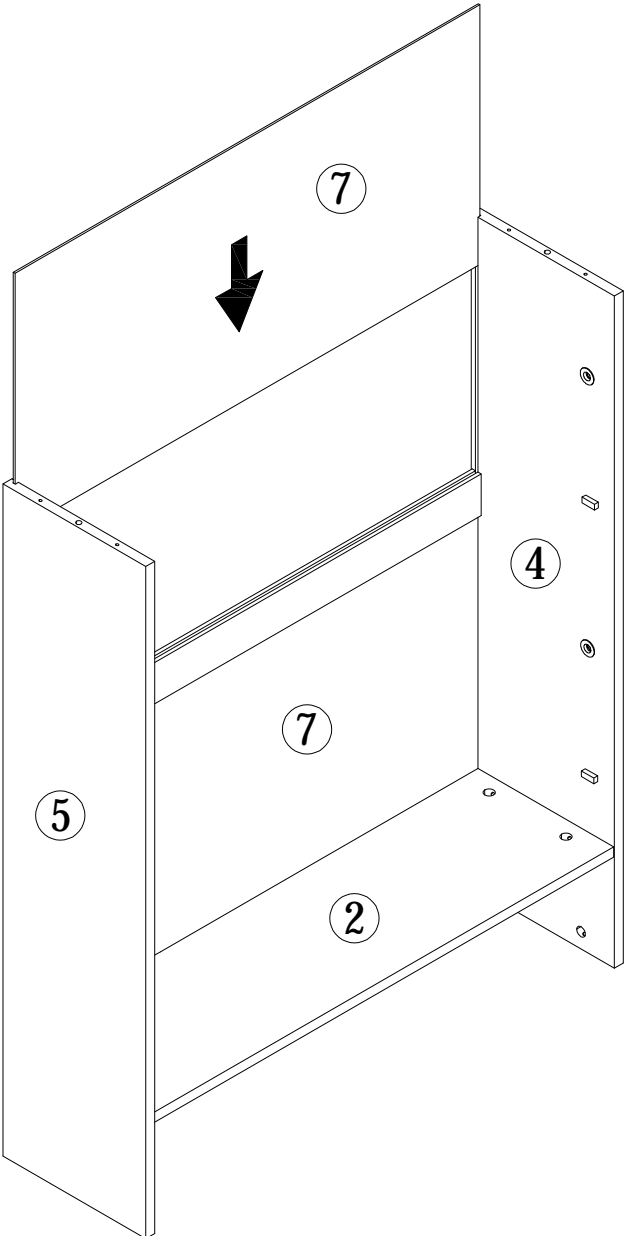


# Step 5



<b>B</b>	<b>C</b>
	
<b>X4</b>	<b>X1</b>

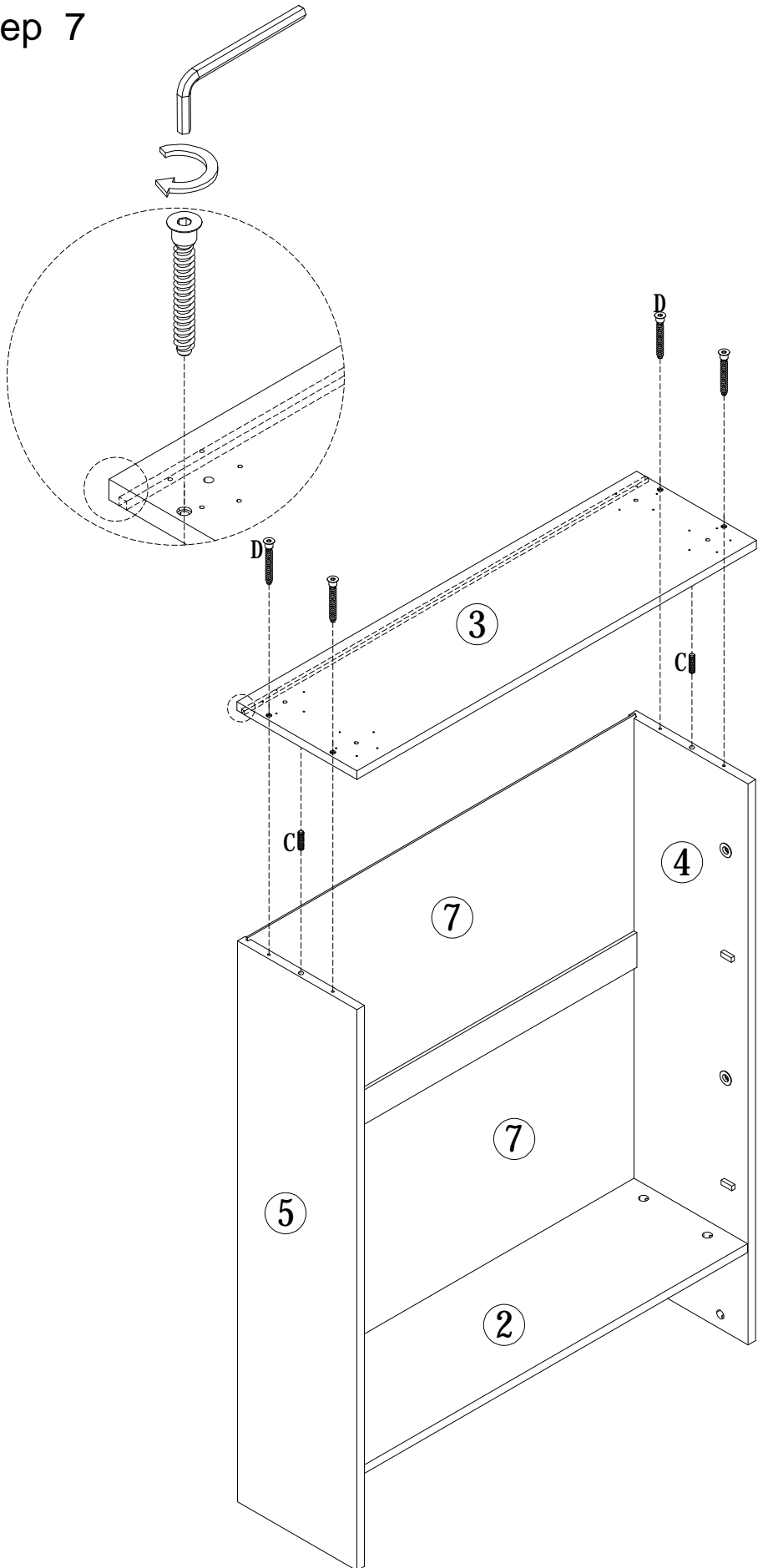


Step 6





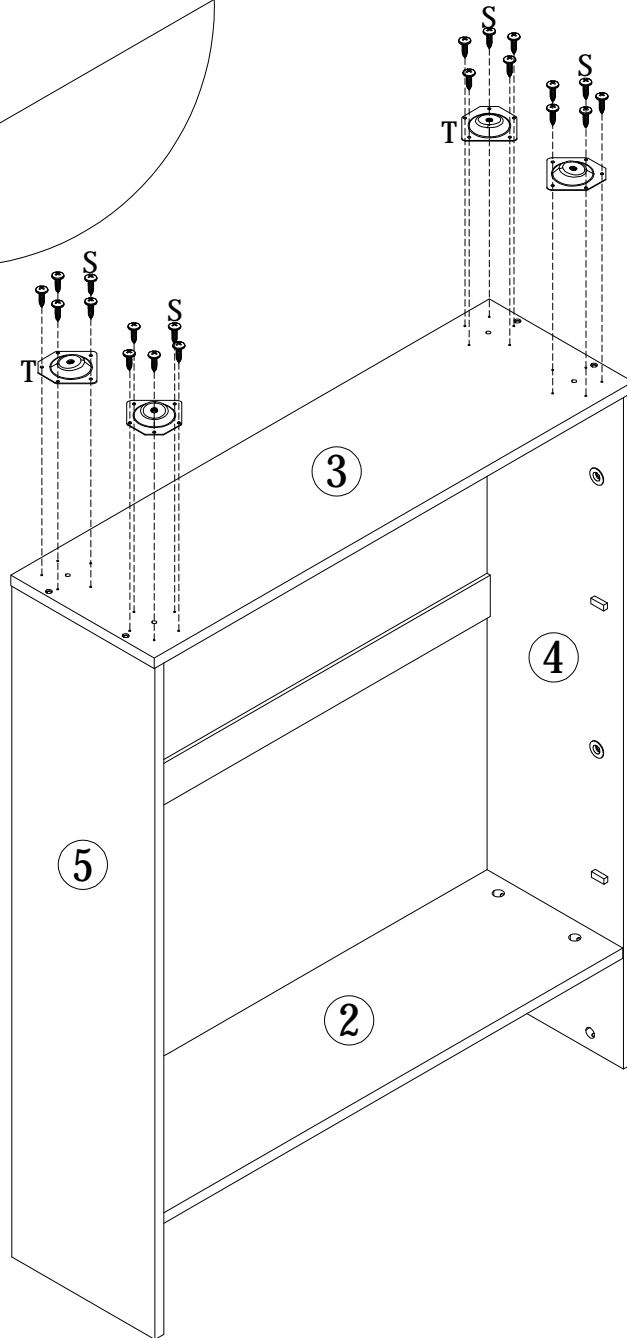
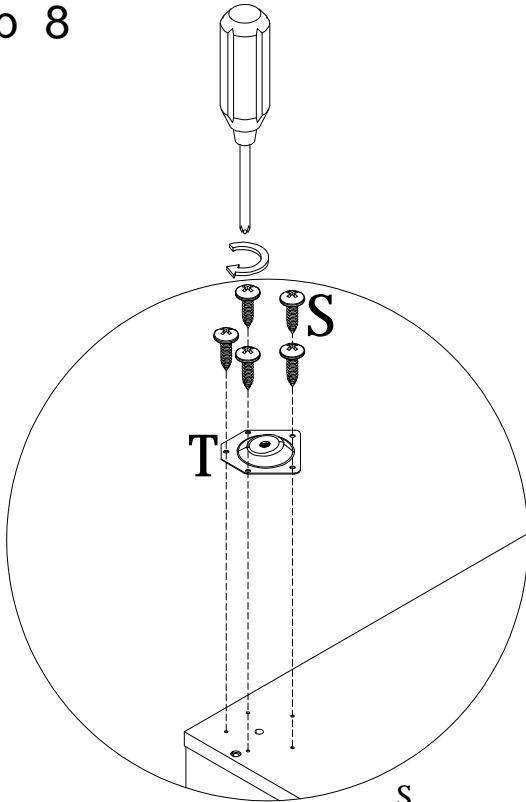
# Step 7

C	D
	
X2	X4




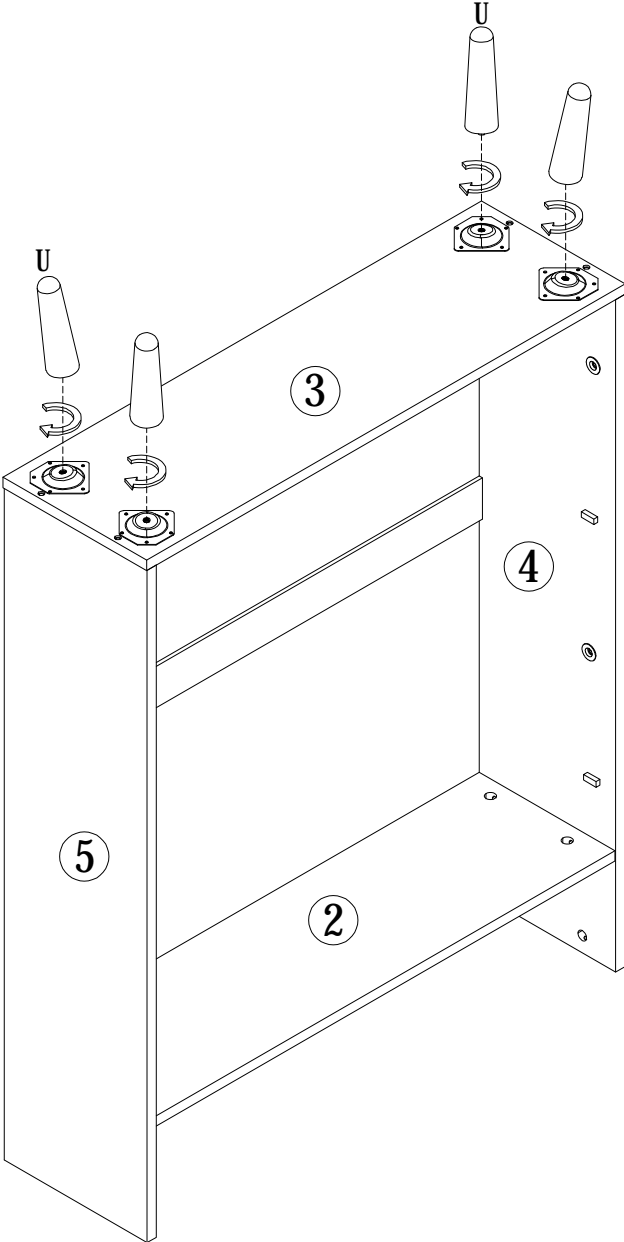
# Step 8

S	T
	
X20	X4



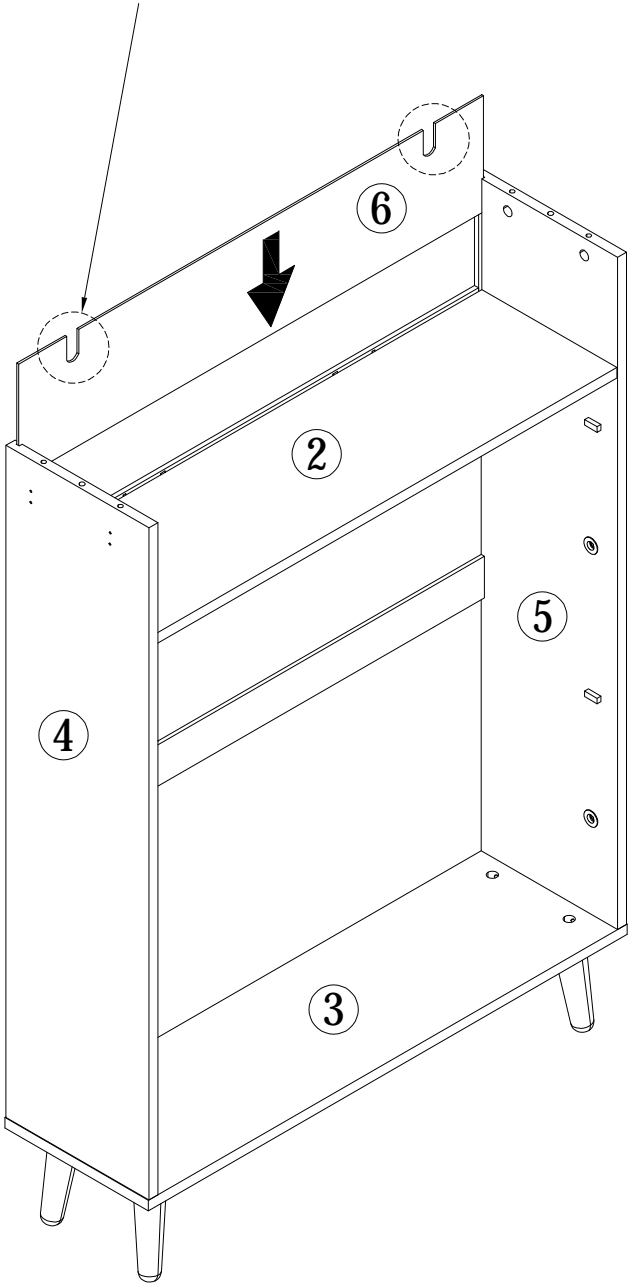
Step 9

U

X4








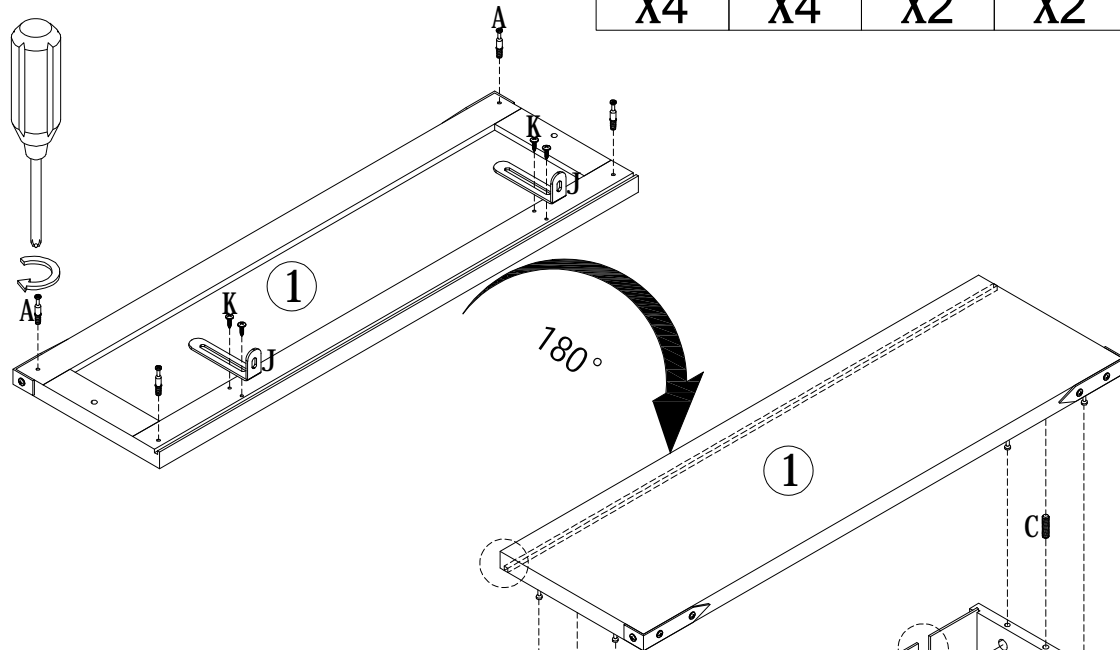
# Step 10

NOTE: The U-shaped hole on the #6 board faces upwards

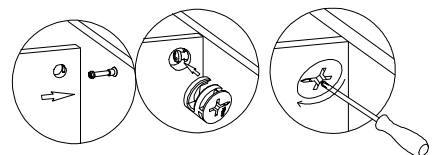
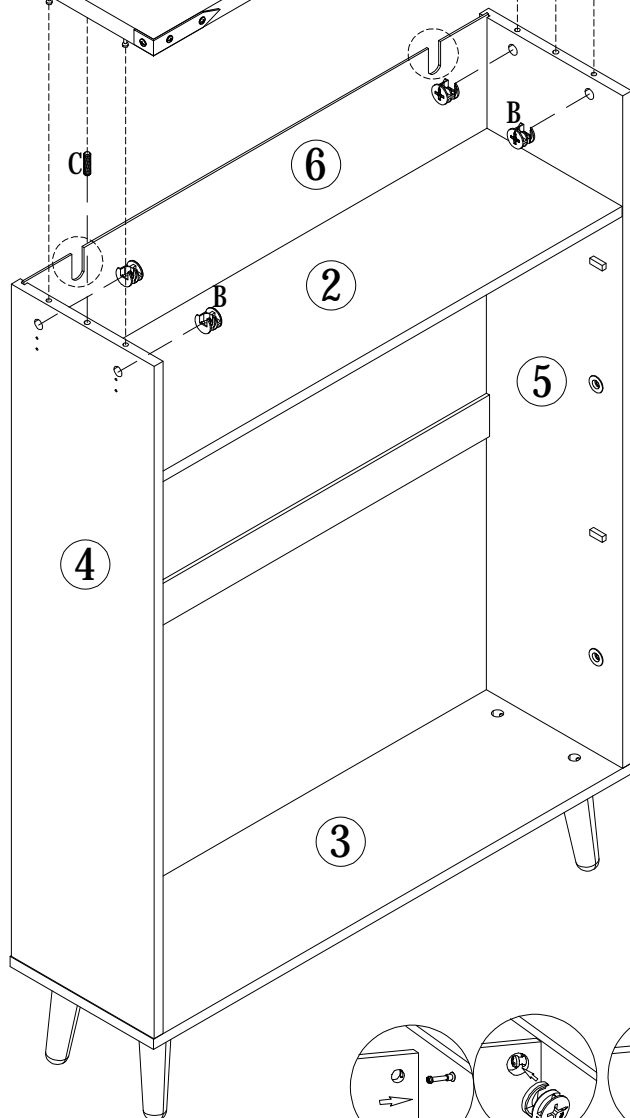


# Step 11



A	B	C	J	K
				
X4	X4	X2	X2	X4

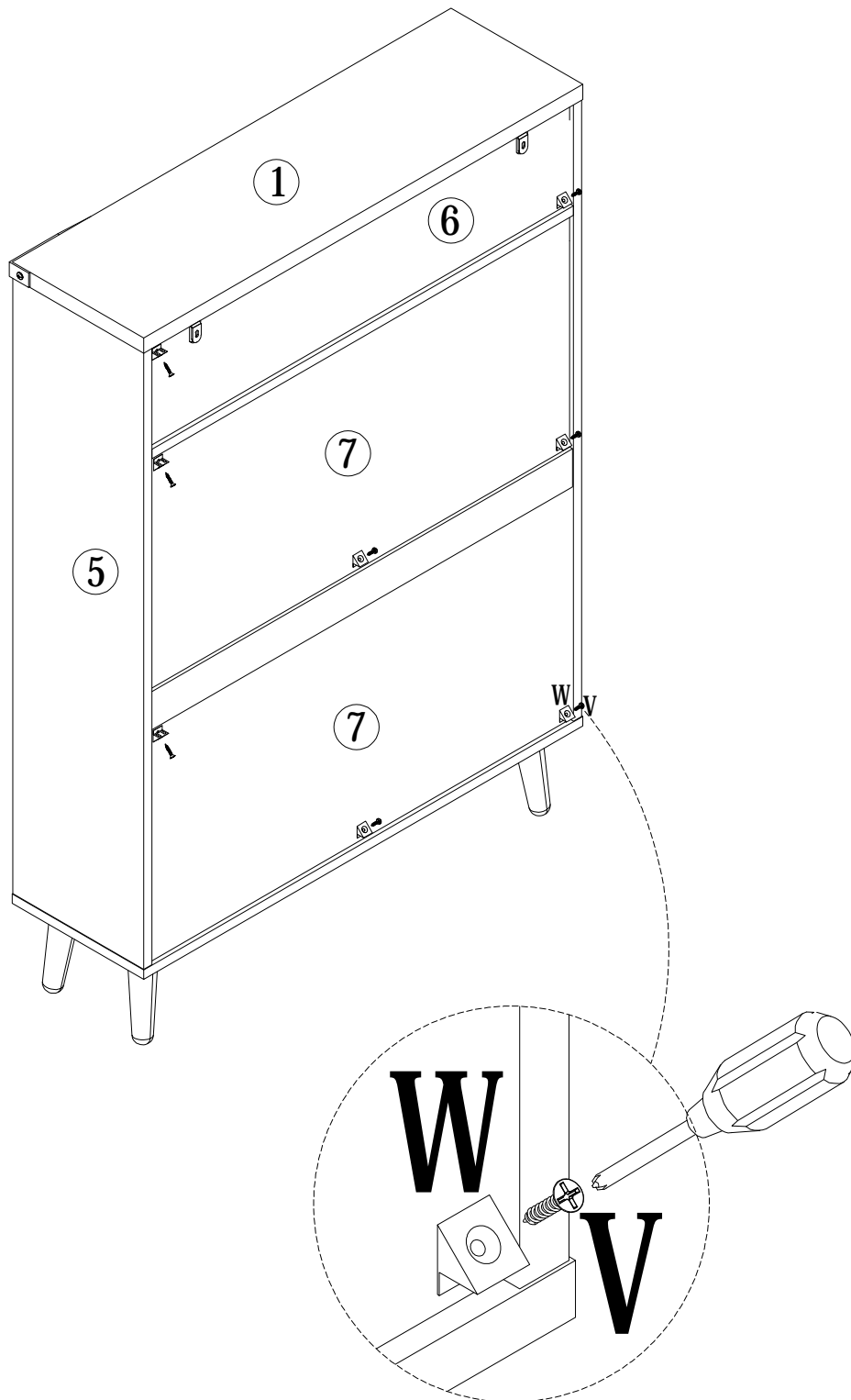


NOTE: Do not fully tighten the K screws on the J fittings of #1 boards so you can adjust the distance when locking the wall





# Step 12

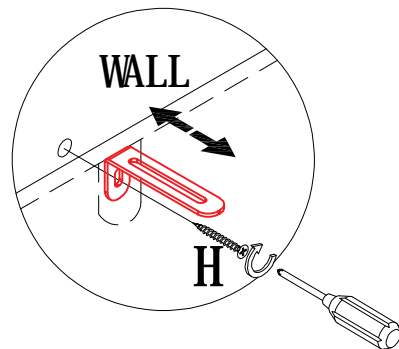
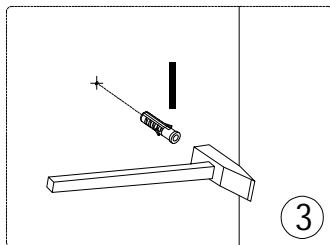
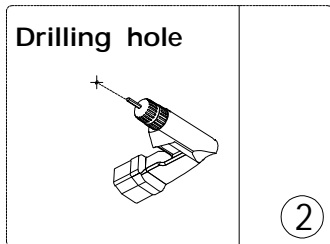
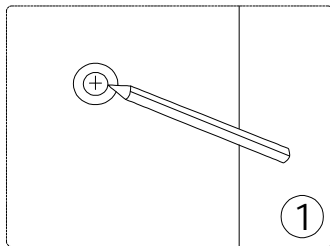
V	W
	
X8	X8



NOTE: Please install the #W back panel buckles staggered according to the diagram.

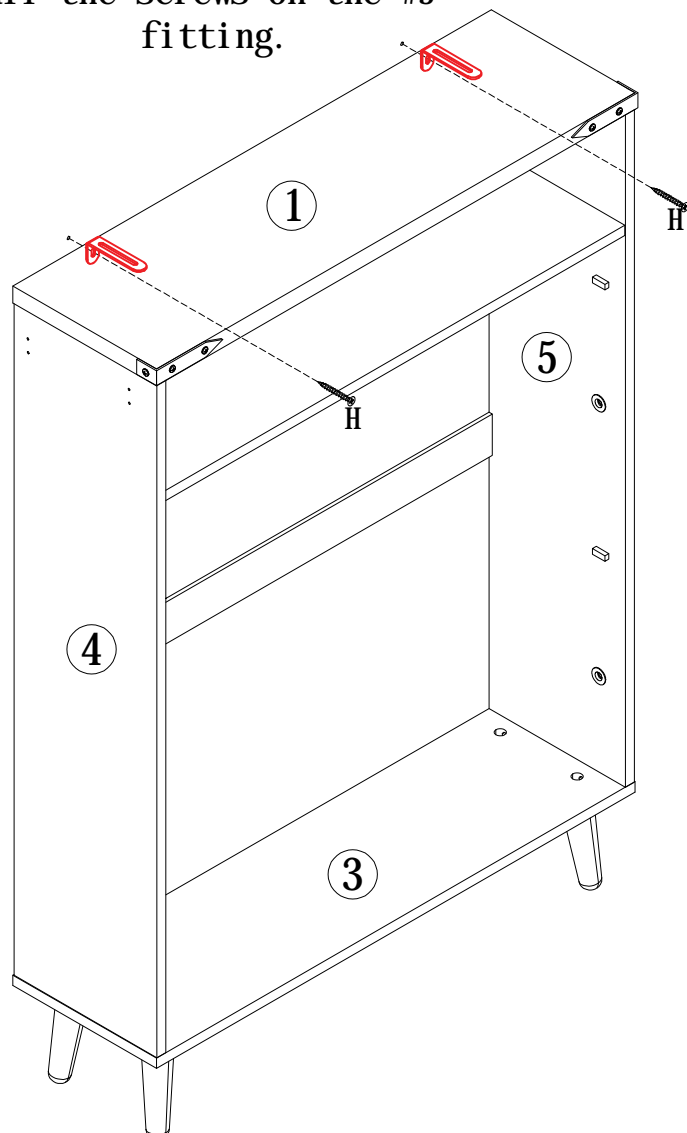
# Step 13

H	I
	
X2	X2





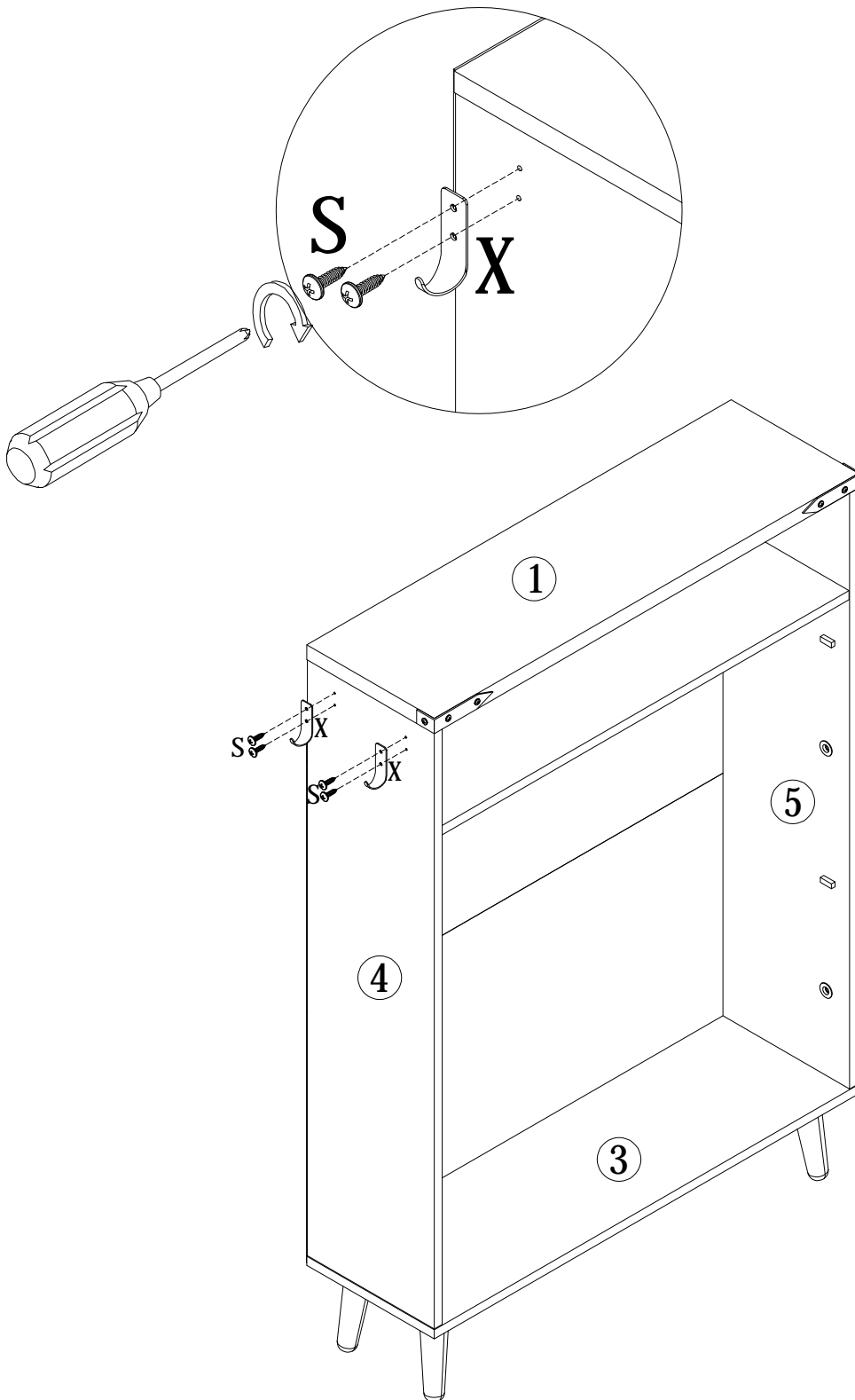
1. Mark the drill position on the wall with pencil.
2. Make 2 holes with a bit at the marked locations.
3. Tap the wall anchor(I) into the drilled holes with a hammer.
4. Fixed the cabinet to the wall with screws(H)

NOTE: According to the distance between the cabinet and the wall, adjust the #J fitting to the appropriate position, and then tighten all the screws on the #J fitting.






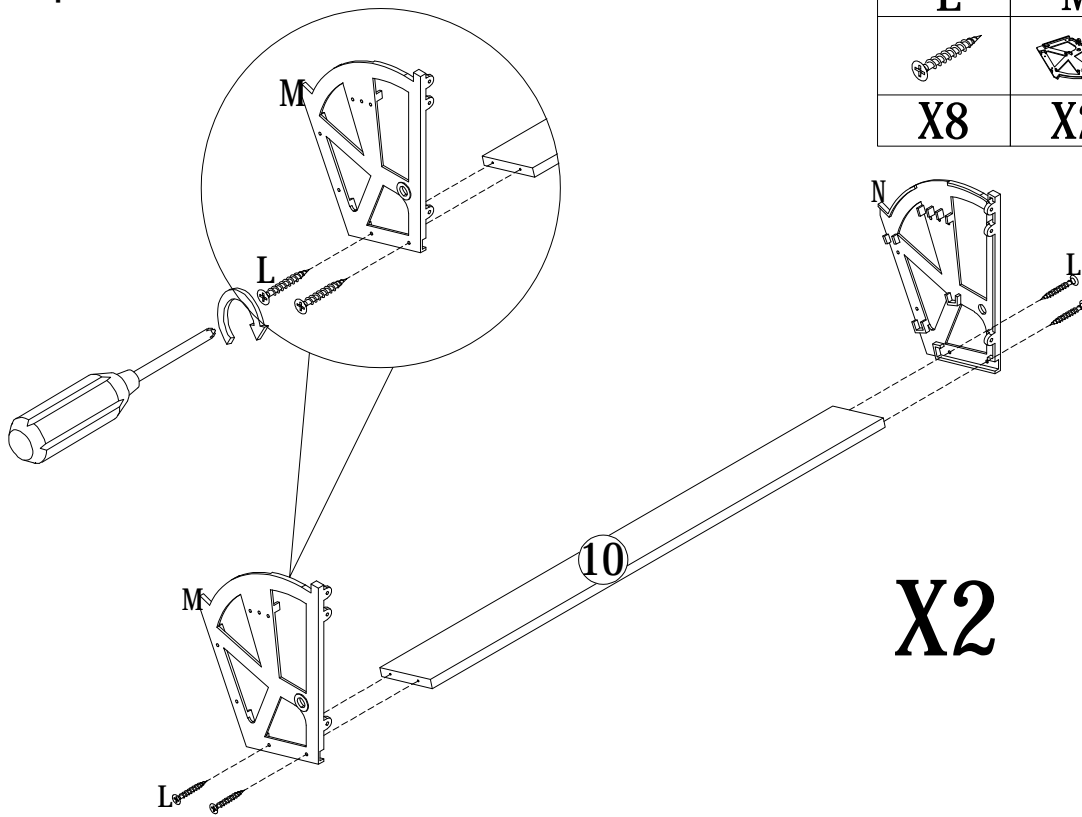
# Step 14

S	X
	
X4	X2




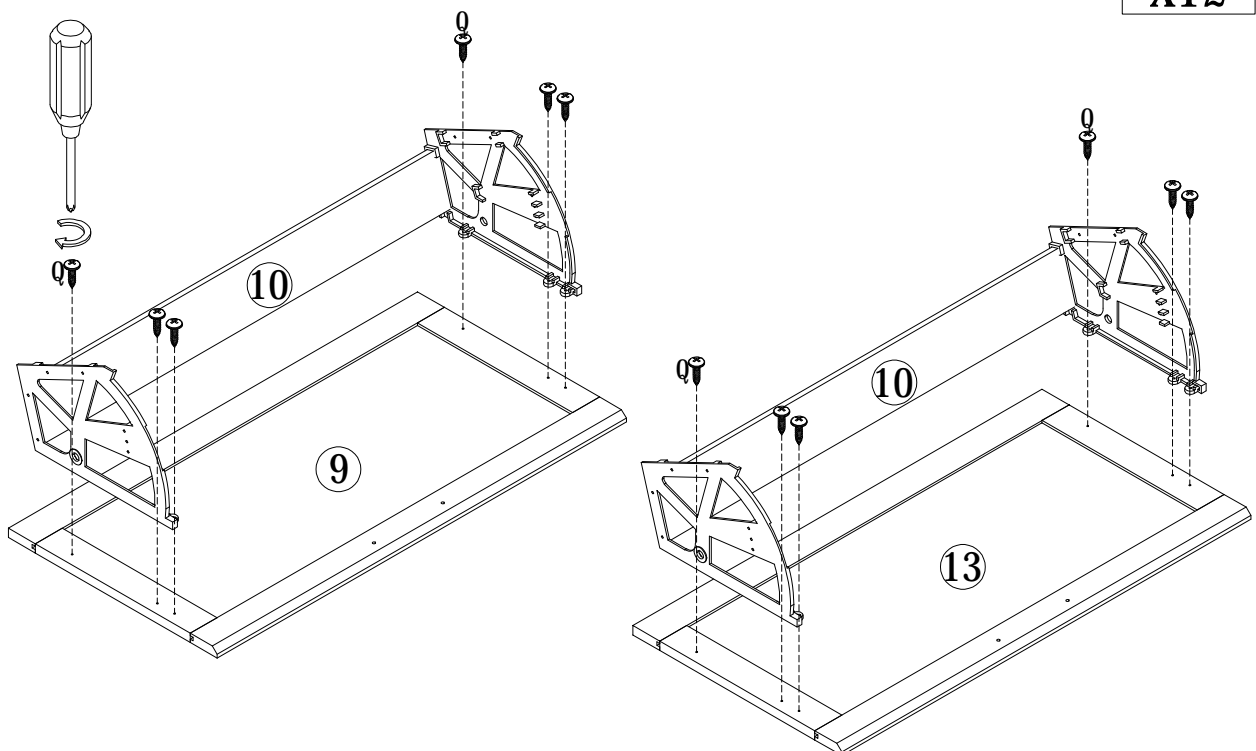
# Step 15

L	M	N
		
X8	X2	X2




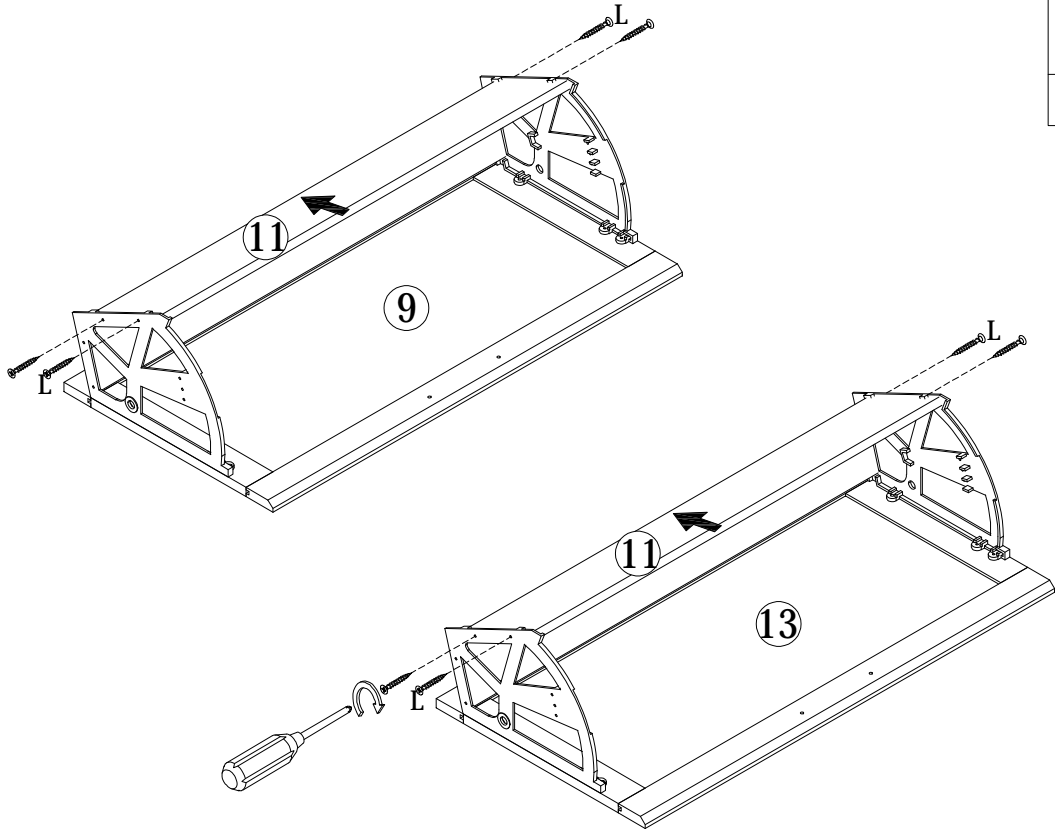
# Step 16

Q

X12

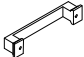



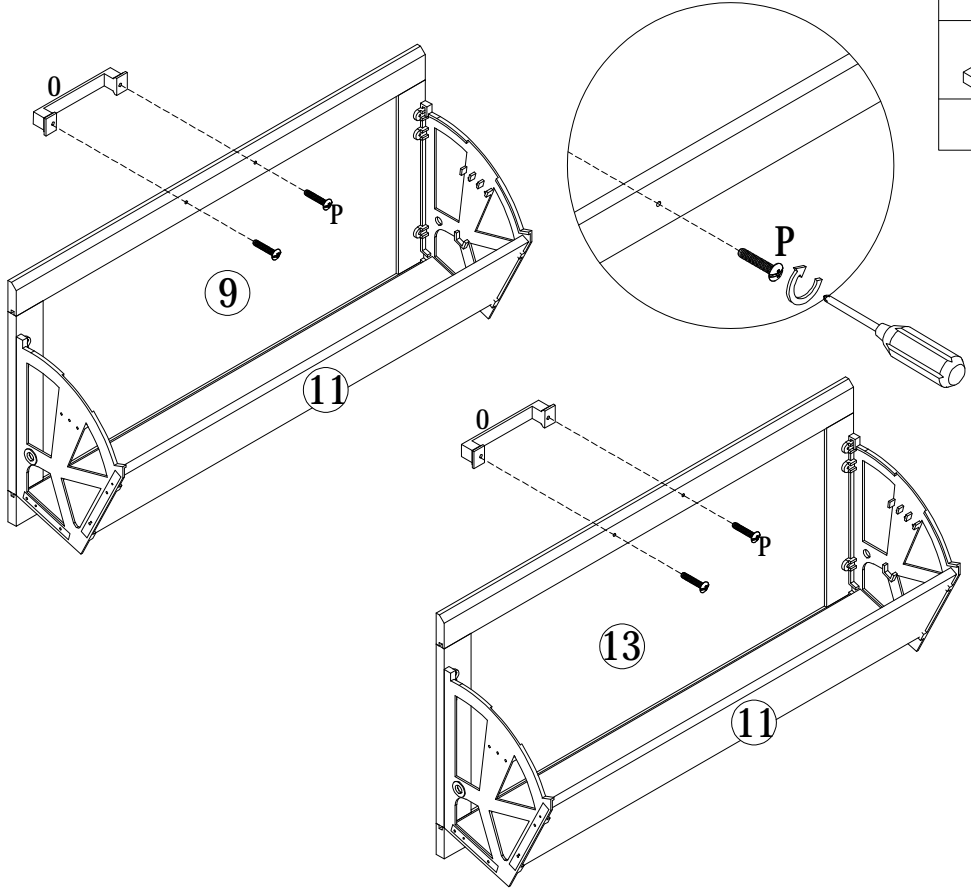
# Step 17

L

X8

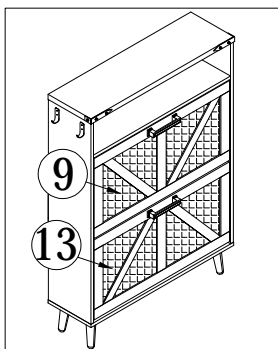


# Step 18

O	P
	
X2	X4

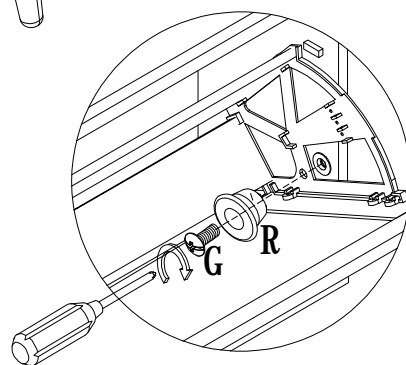
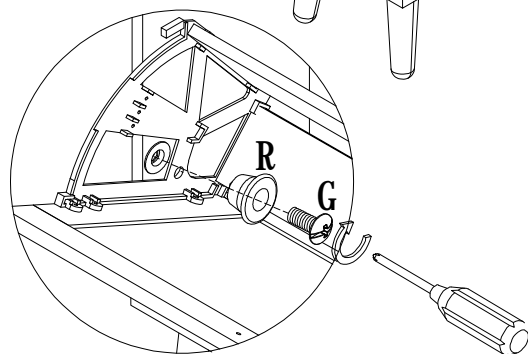
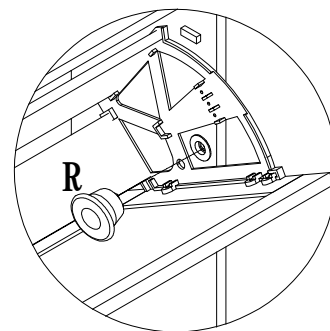
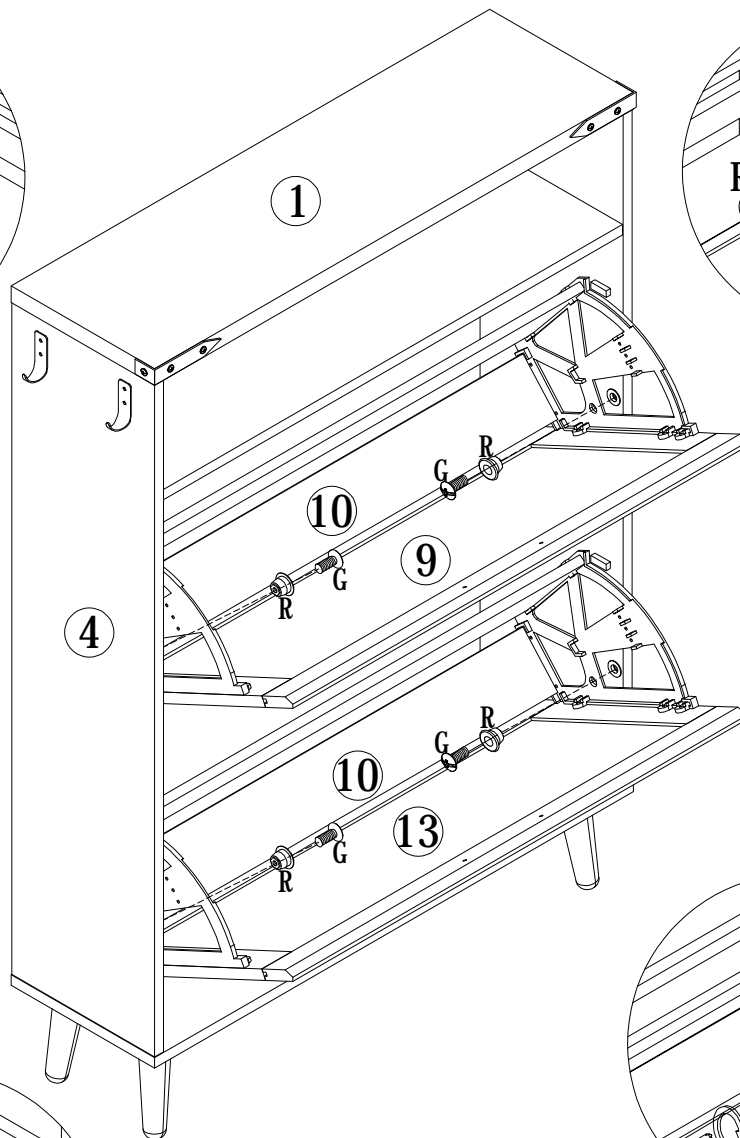
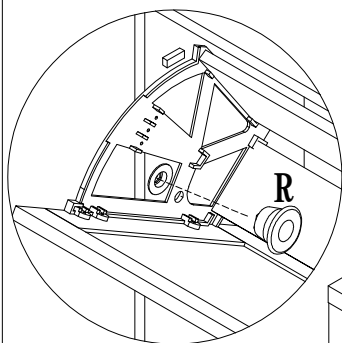


# Step 19



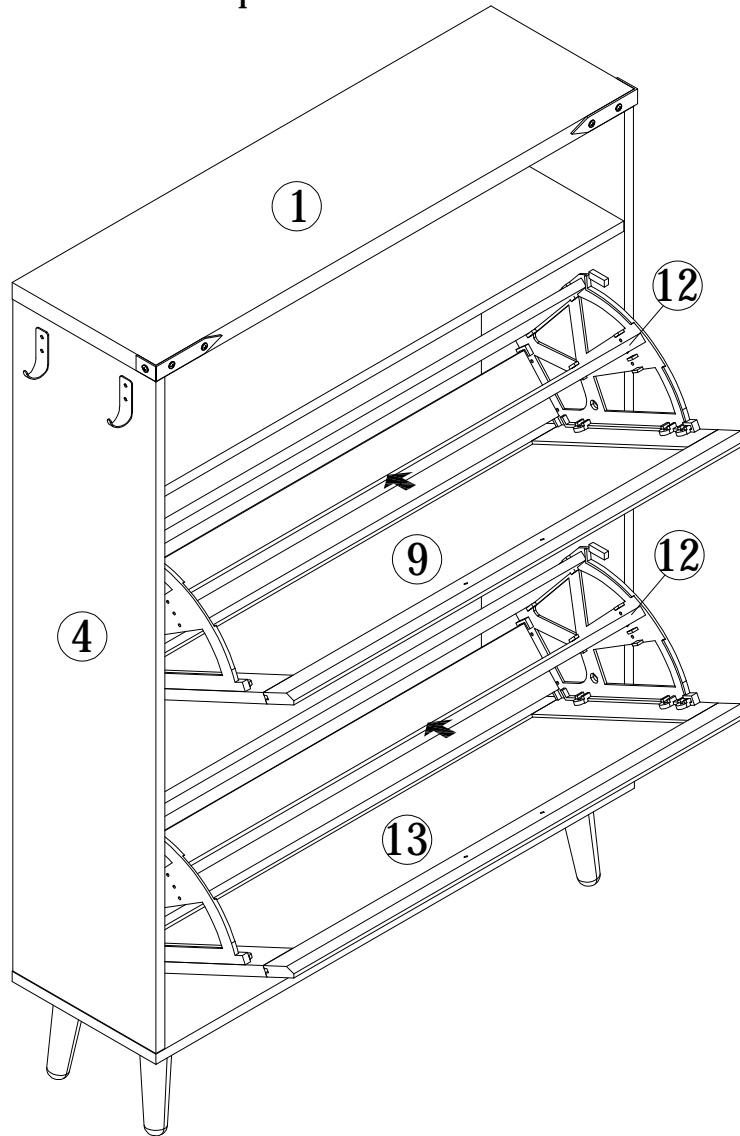
NOTE: The door requires 2 people to assemble. You must place the door's 米 shaped pattern according to the diagram, or install the door according to your own pre-arranged pattern, otherwise it will affect the beauty of the shoe cabinet.

G	R
X4	X4

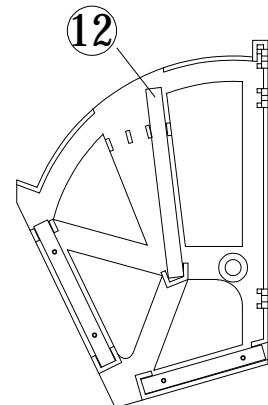
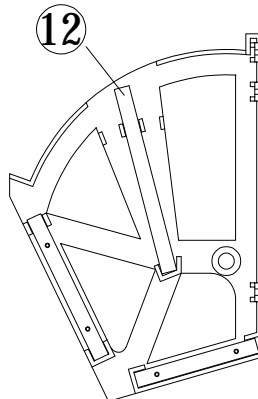
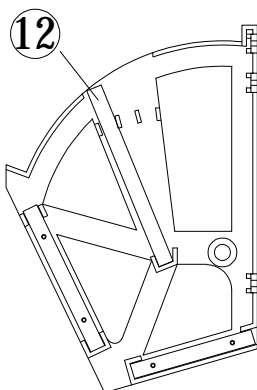


## Step 20

Note: The #12 board only needs to be inserted according to the position shown in the picture, no screws are required.

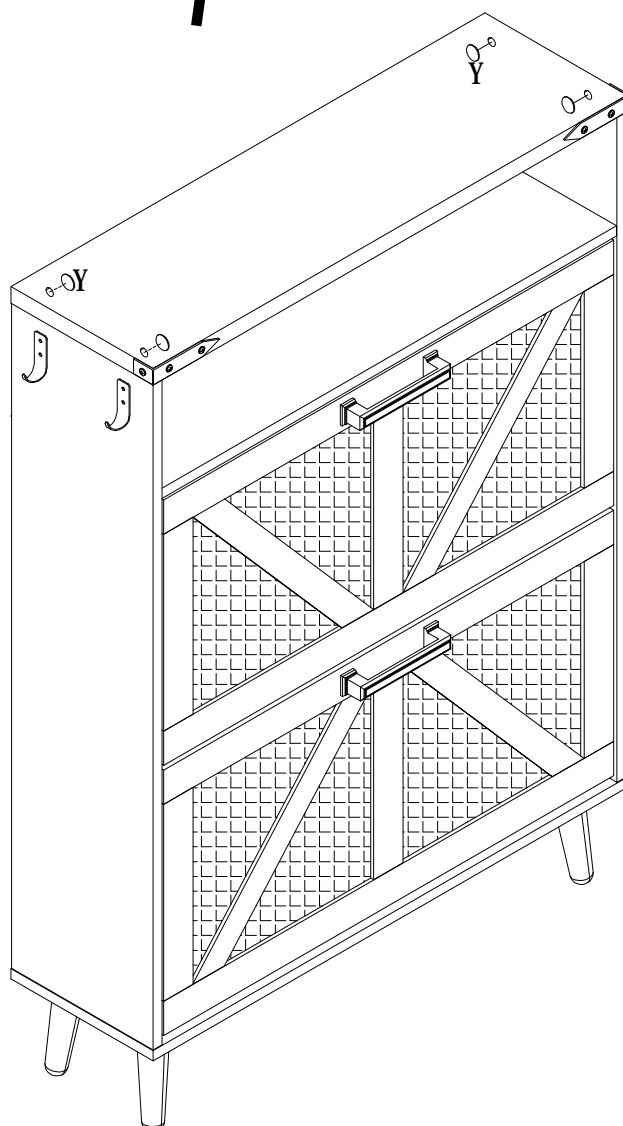
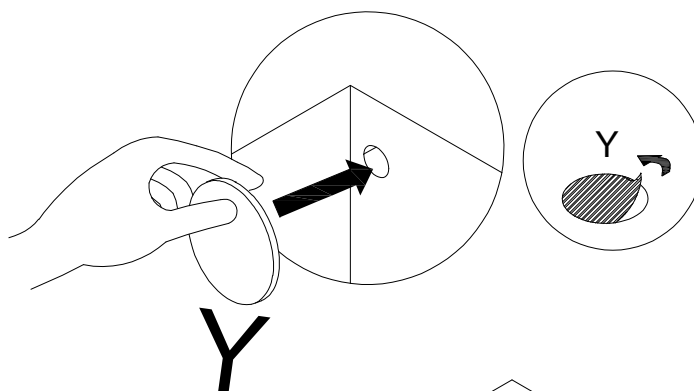


### Adjustable shelf for various size of shoes



# Step 21

Y
O
X4



## Step 22

