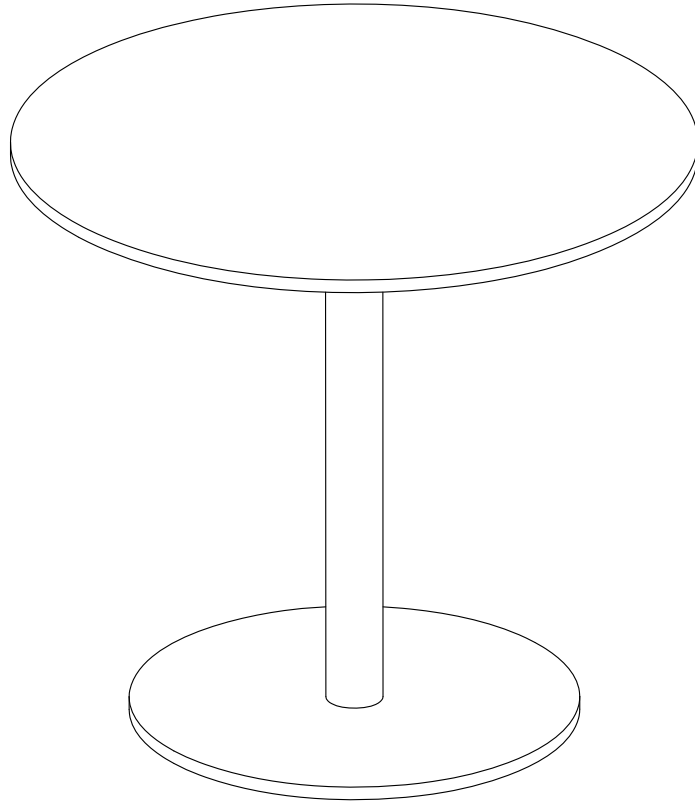


ASSEMBLY INSTRUCTIONS



A



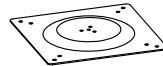
1PC

B



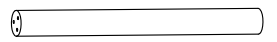
1PC

C



1PC

D



1PC

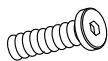
E



M6×15mm

8PCS

F



M8×35mm

6PCS

G



14PCS

H



8PCS

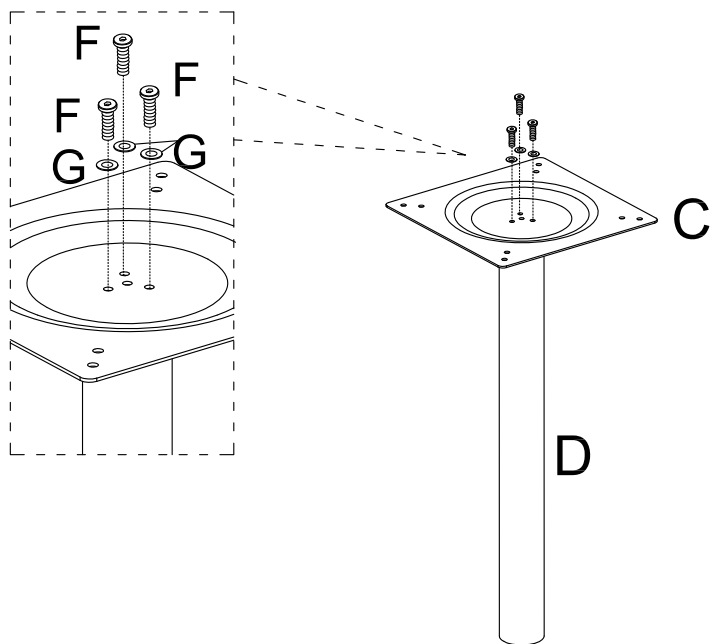
I



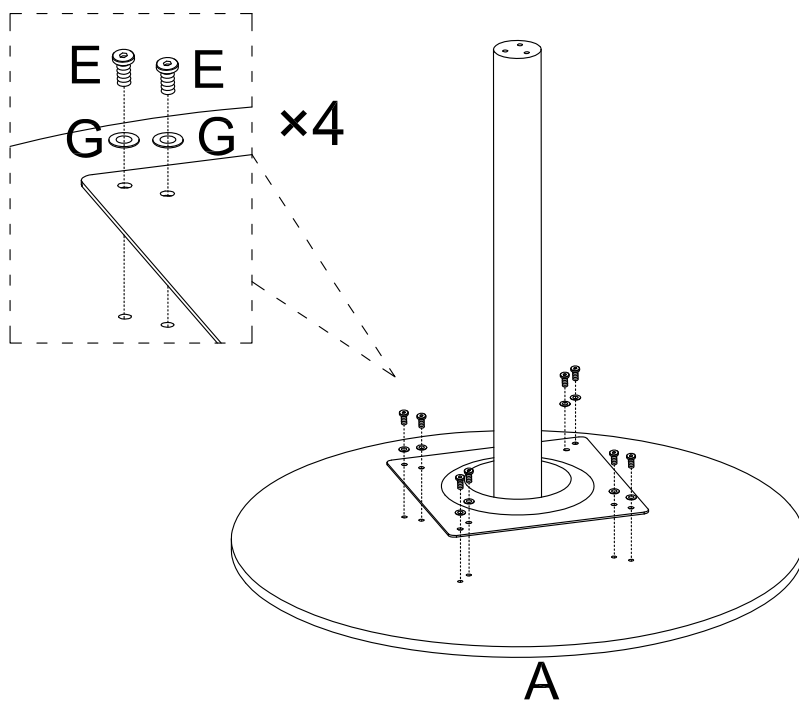
5mm

1PC

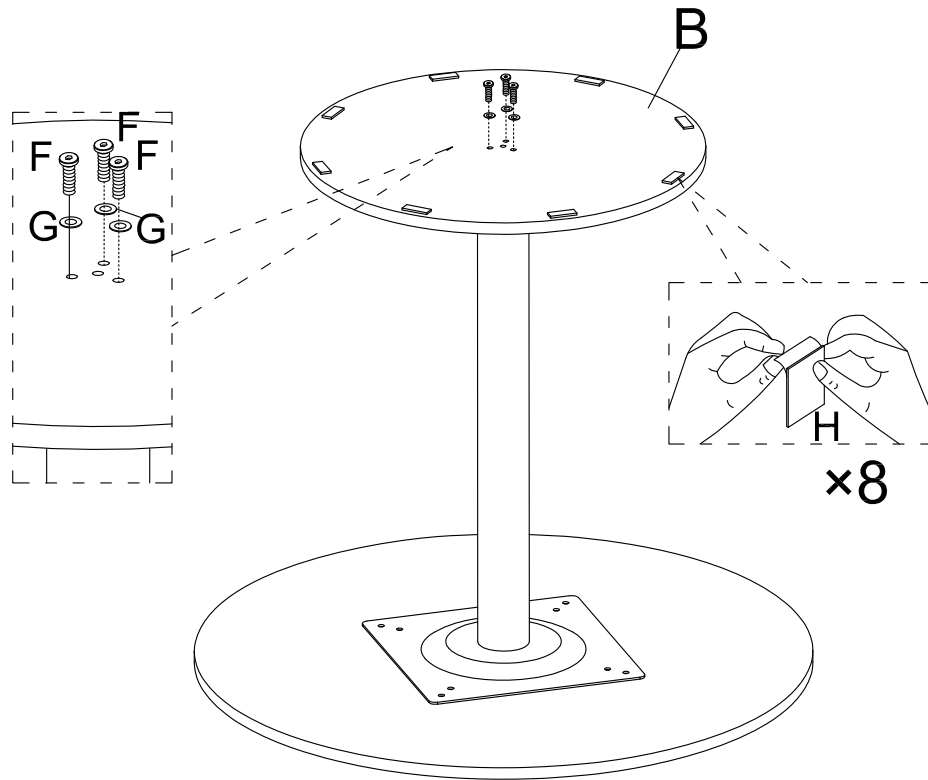
STEP 1



STEP 2



STEP 3



Warm tips:

1. The assembly time varies from person to person, one person with strong hands can finish it in about 10 minutes (the table is a bit heavy, it takes two people to lift it).
2. If you assemble it, there is a shaking or unbalanced situation, it may be because the screws are not tightened.
3. About desktop bubbles: as long as there is no water or water vapor, there will be no bubbles, simple spills and drinks will not affect.
4. About the desktop material: it's no problem to put the hot water cup below 50 °, the color of the desktop is easy to spread and lighten if it exceeds this heat level.
5. About the size: 42 inches can accommodate 4-6 people, 4 people seat a little loose, 6 people will be crowded; 31.5 inches can accommodate 2-4 people, 2 people, 3 people seat a little loose, 4 people will be crowded
6. Please note: This round dining table is for indoor use, can not be put outdoors to go, need to avoid the sun, because the faux wood grain sticker is used to glue, sun long time will be off the glue.