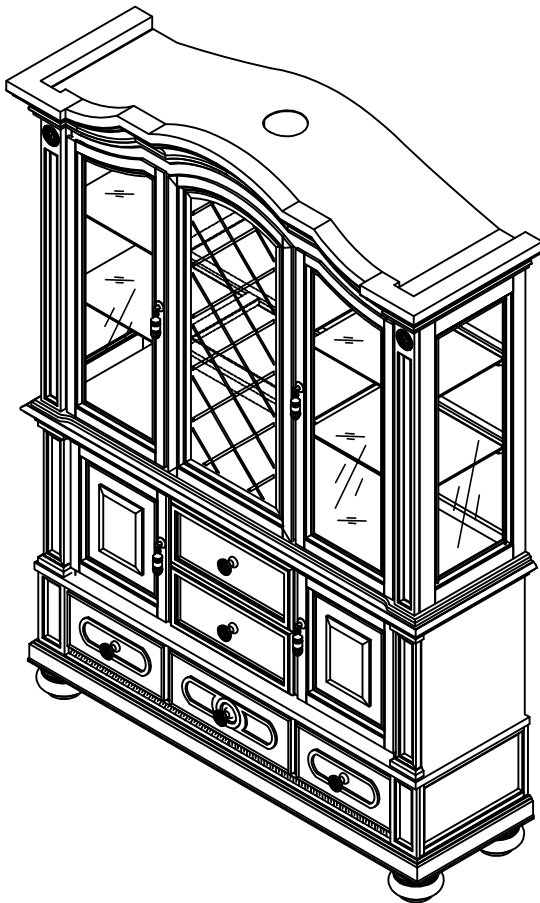


ASSEMBLY INSTRUCTIONS



TOOLS REQUIRED



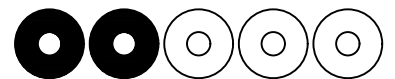
Phillips
Screwdriver

(Not Included)



2 - People
Recommended

ASSEMBLY RATING



EASY —————> DIFFICULT

The Assembly Rating is a 5-point system showing the level of effort needed to assemble a specific product.

PRE ASSEMBLY INTRODUCTION

We understand building ready-to-assemble furniture can be a challenging experience for some. To help avoid confusion, we have provided some helpful tips that may speed up the process.



Teamwork

ALWAYS have at least two people to help with transporting and assembling the product to avoid potential injury and/or damage.



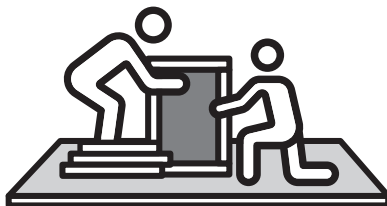
Suitable Location

Assembling near the area of the intended location is highly recommended.



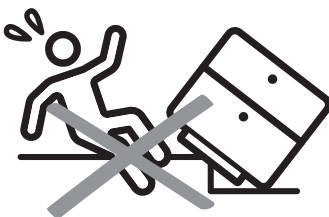
Sufficient Space

Make sure you have enough space to move around during the assembly.



Avoid Scratches

Use cardboard, blankets or a carpeted area while assembling furniture to prevent scratches.



Flat Surface

Make sure the furniture rests on a flat and level surface with each leg evenly touching the floor.

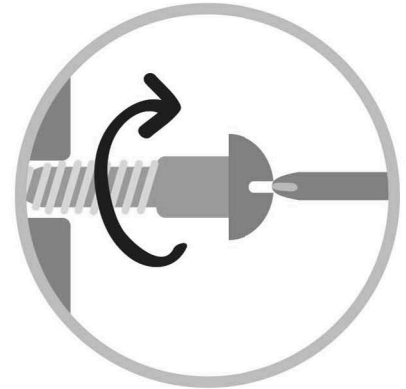
ASSEMBLY AND CARE ADVICE



FAILURE TO FOLLOW THE GUIDELINES BELOW MAY RESULT IN INJURY AND/OR PROPERTY DAMAGE.



Position each part correctly and insert screws or bolts into their respective holes.



Turn clockwise to tighten and only tighten when step is completed or when instructed to do so.



Save the instructions and store any supplied tools for later maintenance.

Use the appropriate hand tools or power tools for assembly. Select steps, such as tightening screws and/or bolts, may require hand tools to avoid causing damage during assembly.



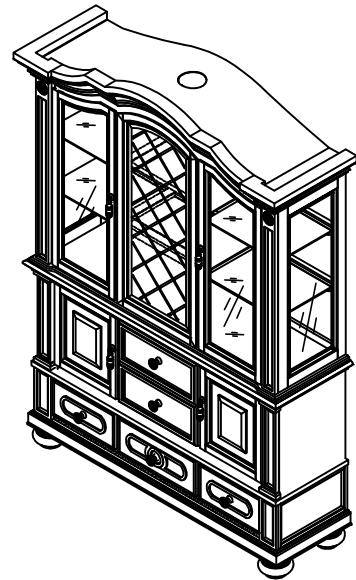
After two weeks, check and tighten any loose hardware and repeat again every six months thereafter.

IT IS THE USER'S RESPONSIBILITY TO MAINTAIN THE FURNITURE. THE HARDWARE MAY LOOSEN OVER TIME AND MAY CAUSE THE FURNITURE TO BE WOBBLY AND UNABLE TO SUPPORT ITS INTENDED WEIGHT CAPACITY. THIS MAY LEAD TO COLLAPSE AND MAY CAUSE SERIOUS INJURY.

HUTCH-BUFFET



- Please keep instructions for future reference.
- Check the quantity and irregularity of parts and hardware before you start.



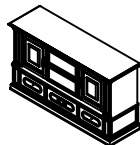
PARTS

#1 1pc



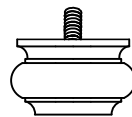
Hutch

#2 1pc



Buffet

#3 4pcs



Bun Foot Ø5/16"

#4 4pcs



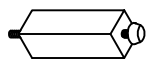
Side Glass Shelf

#5 2pcs



Middle Glass Shelf

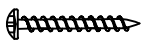
#6 1pc



Support Leg 30x30x

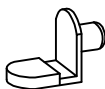
HARDWARE

#A 4pcs



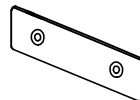
Screw #7 x 16mm

#B 8pcs



Shelf Support

#C 2pcs



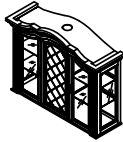
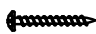



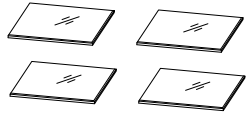

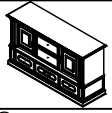

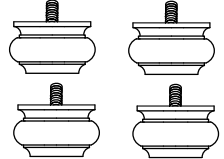
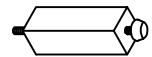
Metal Plate

#D 2pcs

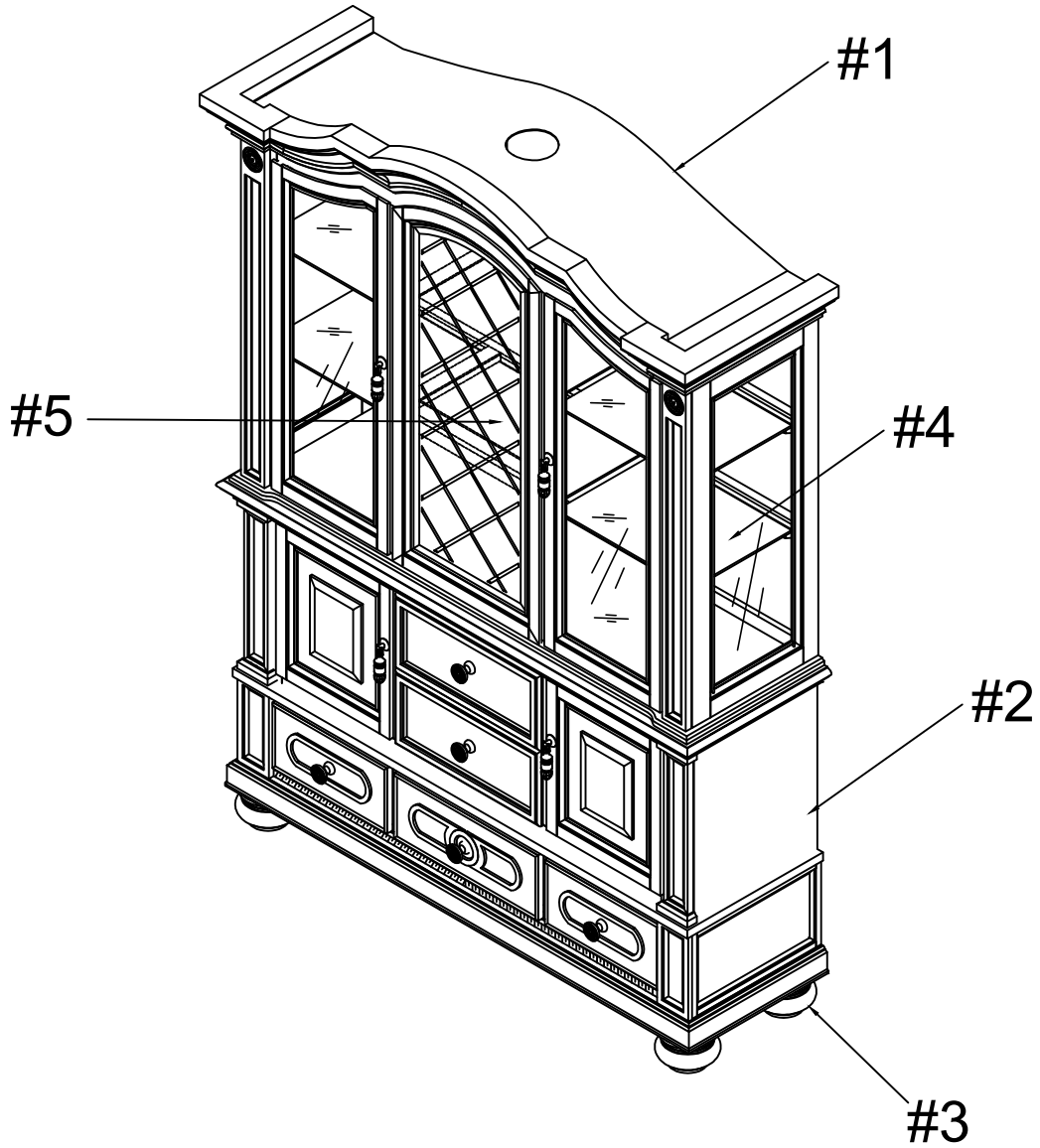


Tipping Restraint

CM3350HB is packed in 2 cases

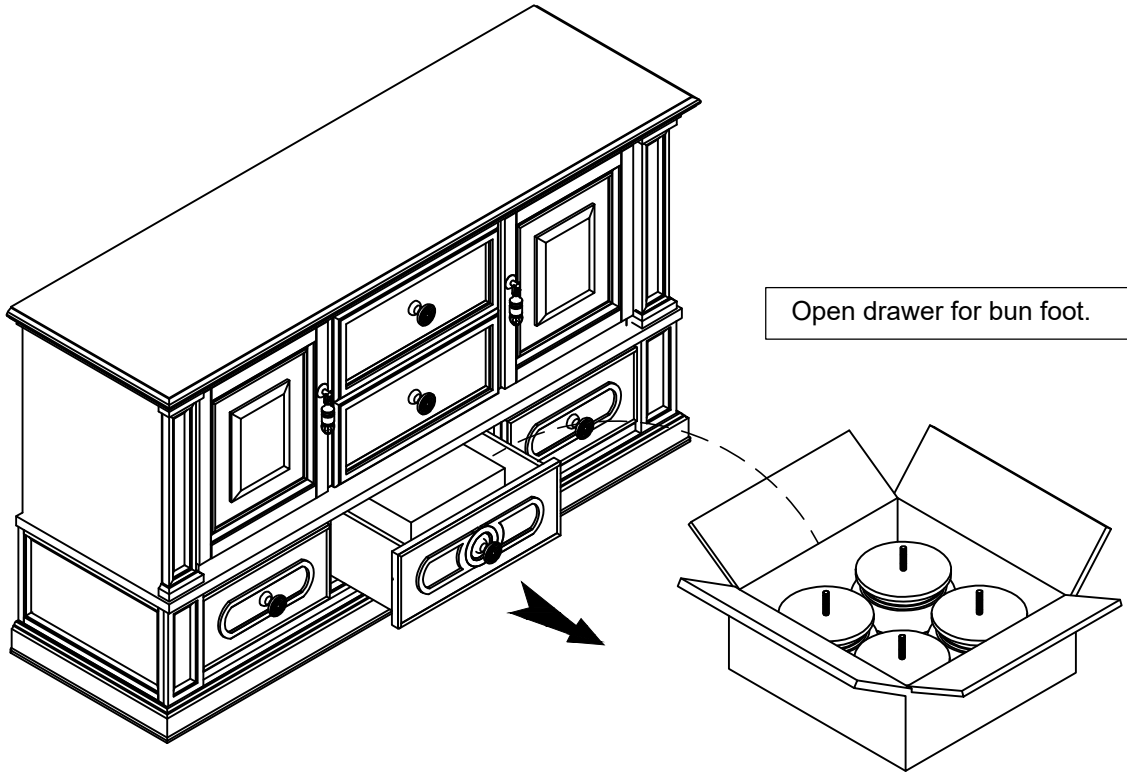
Carton	Disignation		Part	Hardware
CM3350HB-H	Hutch	#1		 #A 4pcs  #B 8pcs  #C 2pcs  #D 1pc
	Side Glass Shelf	#4		
	Middle Glass Shelf	#5		
CM3350HB-B	Buffet	#2		 #D 1pc
	Bun Foot	#3		
	Support Leg	#6		

Exploded View



ASSEMBLY INSTRUCTIONS

1

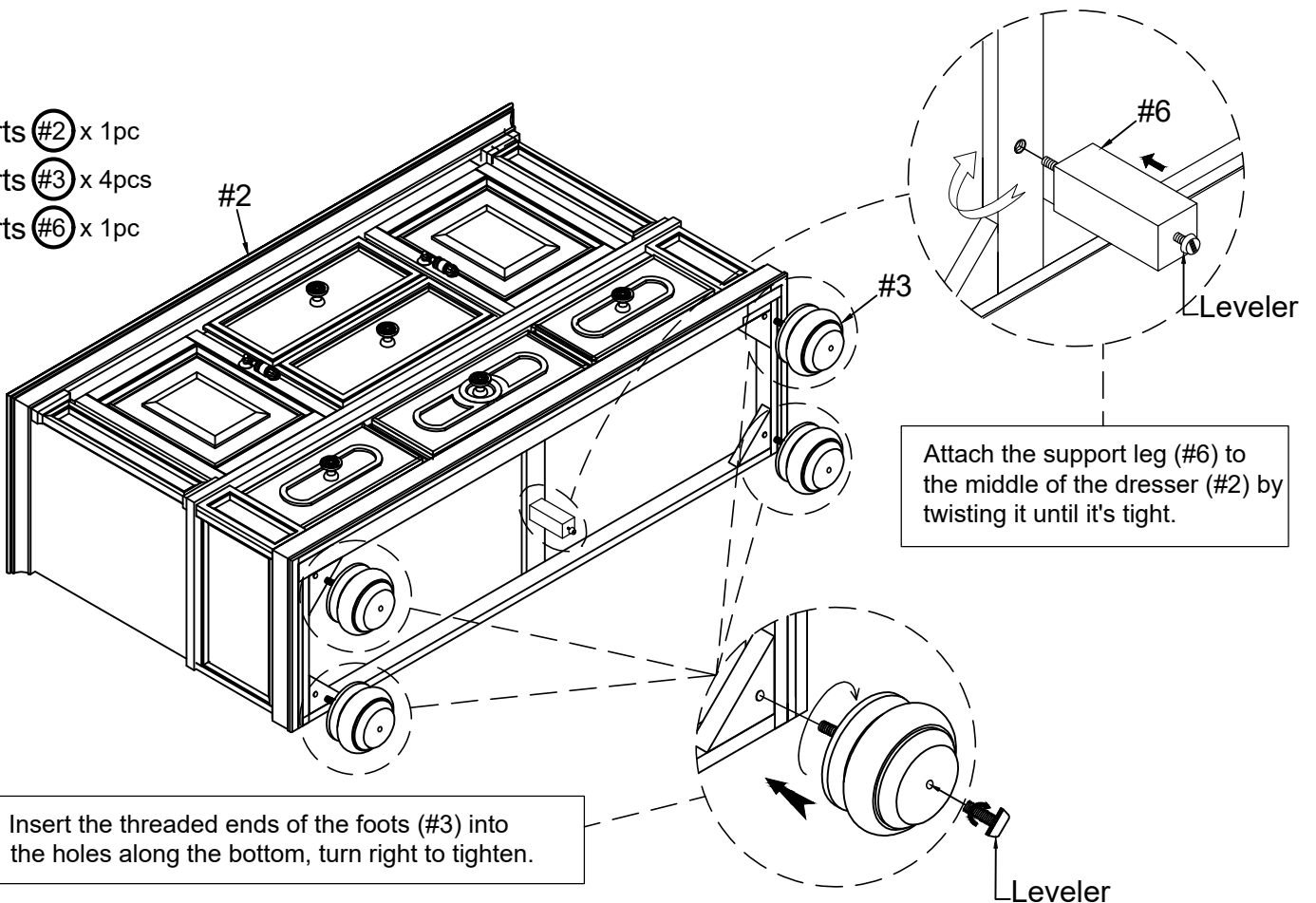


2

Parts #2 x 1pc

Parts #3 x 4pcs

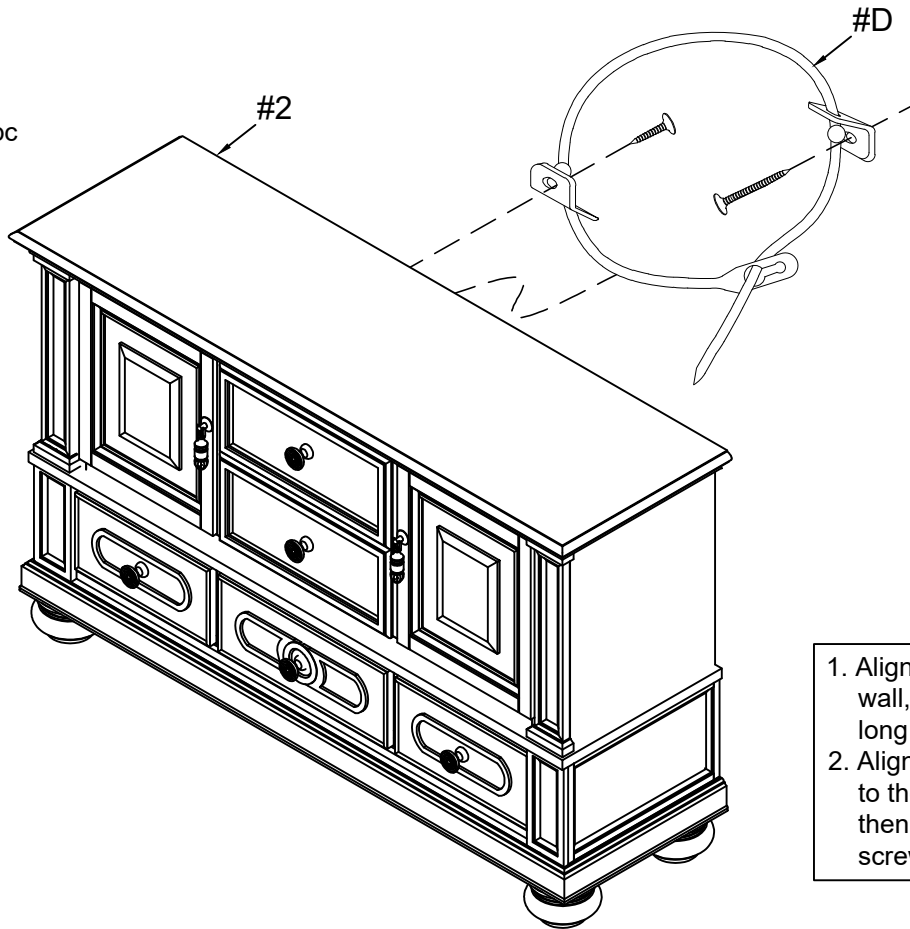
Parts #6 x 1pc



ASSEMBLY INSTRUCTIONS

3

Hardware **#D** x1pc



1. Align a bracket to the wall, then insert the long screw and secure.
2. Align the other bracket to the back of the buffet, then insert the short screw and secure.

4

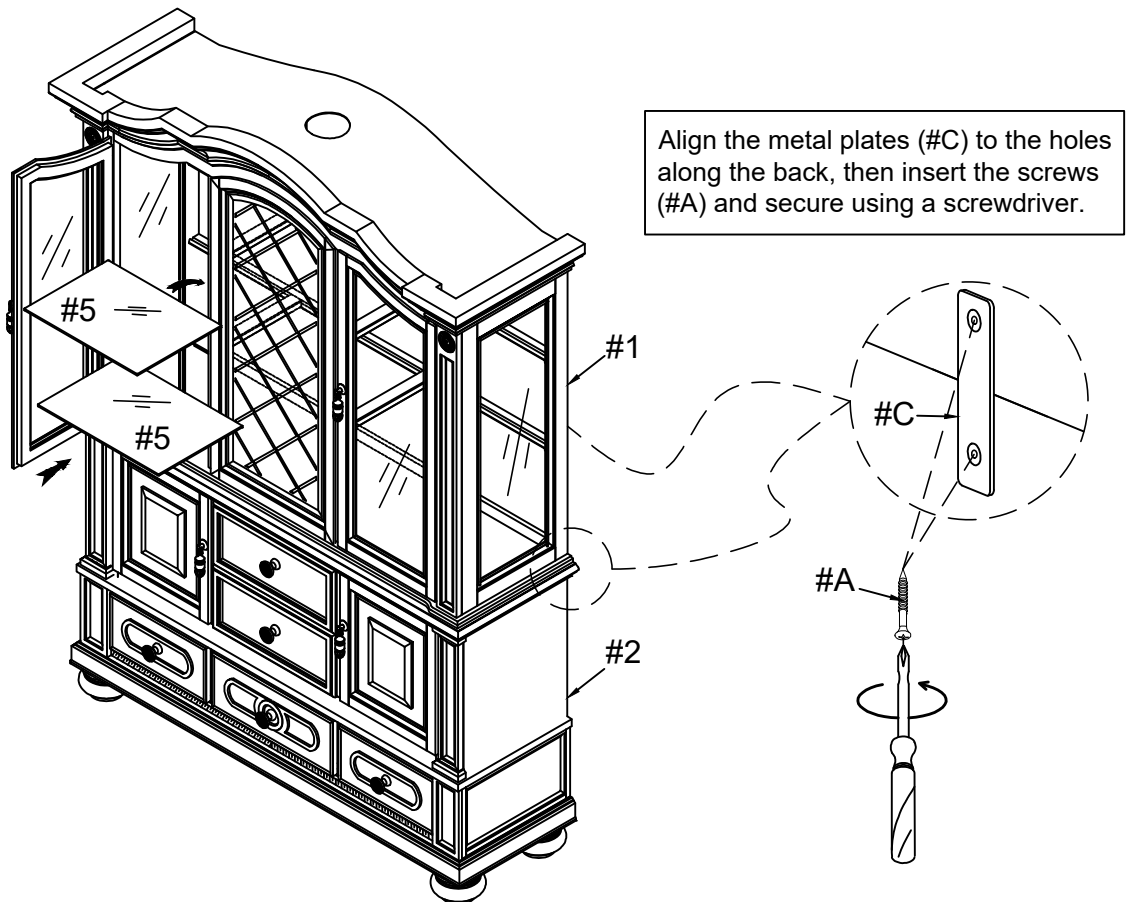
Parts **#1** x 1pc

Parts **#5** x 2pc

Hardware **#5** x2pcs

Hardware **#A** x4pcs

Hardware **#C** x2pcs



- Align the metal plates (**#C**) to the holes along the back, then insert the screws (**#A**) and secure using a screwdriver.

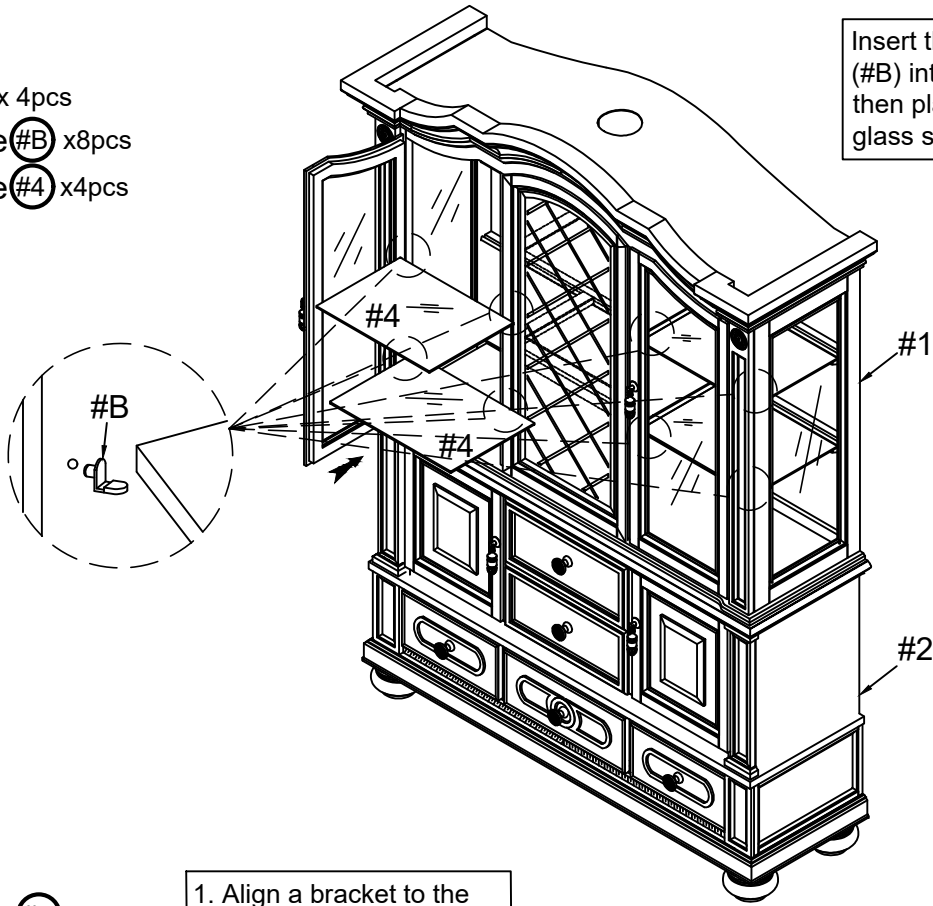
ASSEMBLY INSTRUCTIONS

5

Parts (#4) x 4pcs

Hardware (#B) x 8pcs

Hardware (#4) x 4pcs

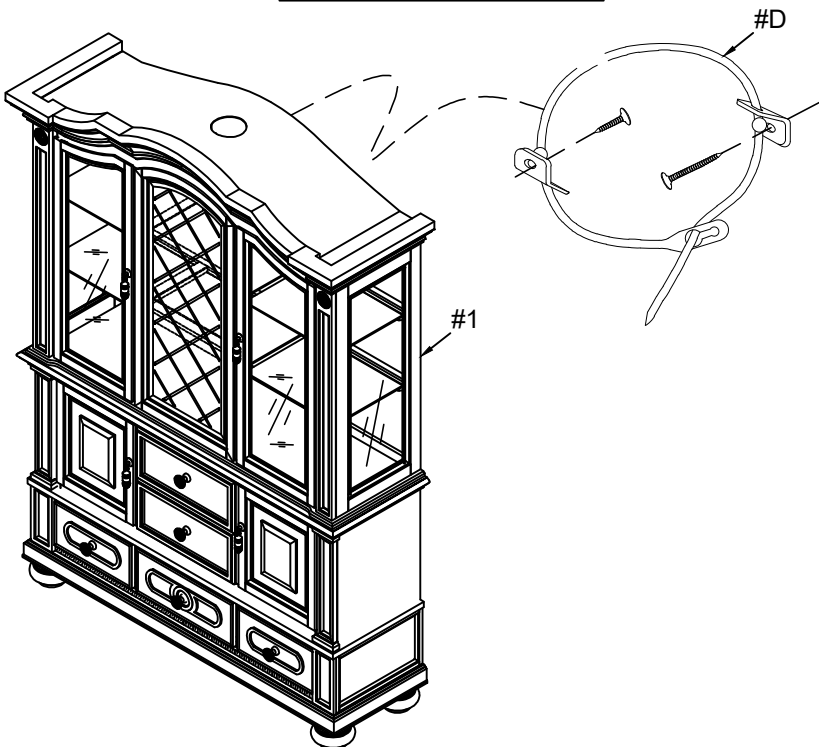


Insert the shelf supports (#B) into the desired holes, then place the the side glass shelves (#4).

6

Hardware (#D) x 1pc

1. Align a bracket to the wall, then insert the long screw and secure.
2. Align the other bracket to the back of the hutch, then insert the short screw and secure.



ASSEMBLY COMPLETED



Please ensure the furniture rests on an even and flat surface. If the product wobbles or feels loose, double-check all bolts and/or screws are properly tightened and secured.



Keep this handy!

Please retain this instruction manual and any order-related information for future reference.



Lift, don't drag!

To avoid damage to product please always LIFT the product when transporting or adjusting the placement.